



US00D619878S

(12) **United States Design Patent**
Sjöqvist

(10) **Patent No.:** **US D619,878 S**
(45) **Date of Patent:** **** Jul. 20, 2010**

(54) **JOINT DEVICE FOR CABLE RACKS**

(75) Inventor: **Dan Sjöqvist**, Anderstorp (SE)

(73) Assignee: **AB Wibe**, Mora (SE)

(**) Term: **14 Years**

(21) Appl. No.: **29/334,633**

(22) Filed: **Mar. 30, 2009**

(51) **LOC (9) Cl.** **08-05**

(52) **U.S. Cl.** **D8/354**

(58) **Field of Classification Search** D8/382,
D8/349, 354, 400; 248/200, 201, 262, 300;
403/232.1, 233, 389, 400

See application file for complete search history.

(56) **References Cited**

U.S. PATENT DOCUMENTS

4,447,030 A * 5/1984 Nattel 248/27.1

(Continued)

OTHER PUBLICATIONS

Floor Mount (Part No. WBFS-1), Side Hanger Clamp (Part No. WBVHC) and Hold Down Clamp (Part No. WBHDC) for wire mesh trays, MP Husky, Greenville, SC (2008).

(Continued)

Primary Examiner—Holly H Baynham

Assistant Examiner—Sheryl Lane

(74) *Attorney, Agent, or Firm*—Dickstein Shapiro LLP

(57) **CLAIM**

The ornamental design for a joint device for cable racks, as shown and described.

DESCRIPTION

FIG. 1 is a perspective top elevational view illustrating a first embodiment of my new design for a joint device for cable racks;

FIG. 2 is a perspective bottom elevational view of the joint device for cable racks of FIG. 1;

FIG. 3 is a left side view of the joint device for cable racks of FIG. 1;

FIG. 4 is a right side view of the joint device for cable racks of FIG. 1;

FIG. 5 is a top plan view of the joint device for cable racks of FIG. 1;

FIG. 6 is a bottom plan view of the joint device for cable racks of FIG. 1;

FIG. 7 is a front plan view of the joint device for cable racks of FIG. 1;

FIG. 8 is a rear plan view of the joint device for cable racks of FIG. 1;

FIG. 9 is a perspective elevational view illustrating a second embodiment of my new design for a joint device for cable racks;

FIG. 10 is a right side view of the joint device for cable racks of FIG. 9;

FIG. 11 is a left side view of the joint device for cable racks of FIG. 9;

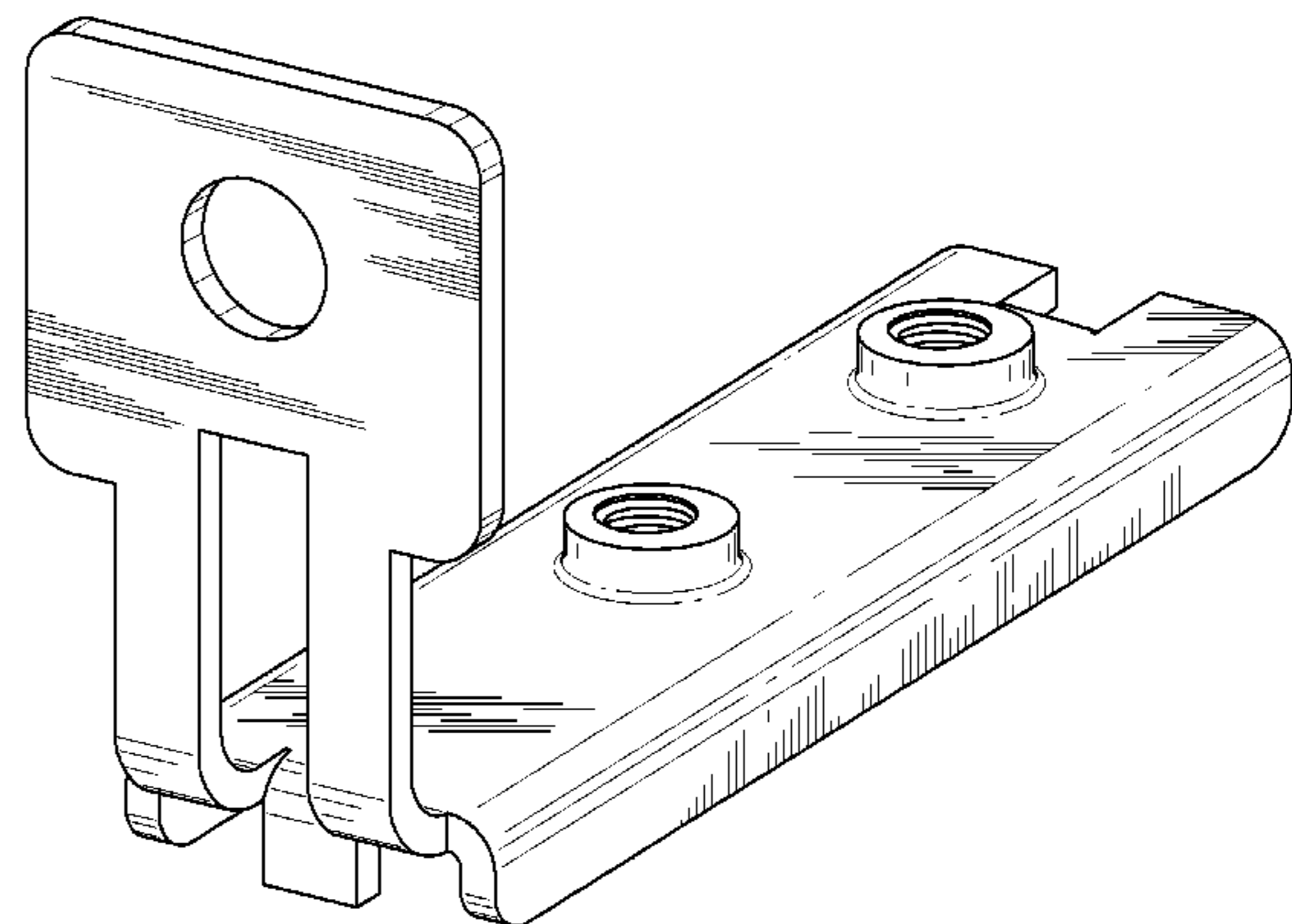
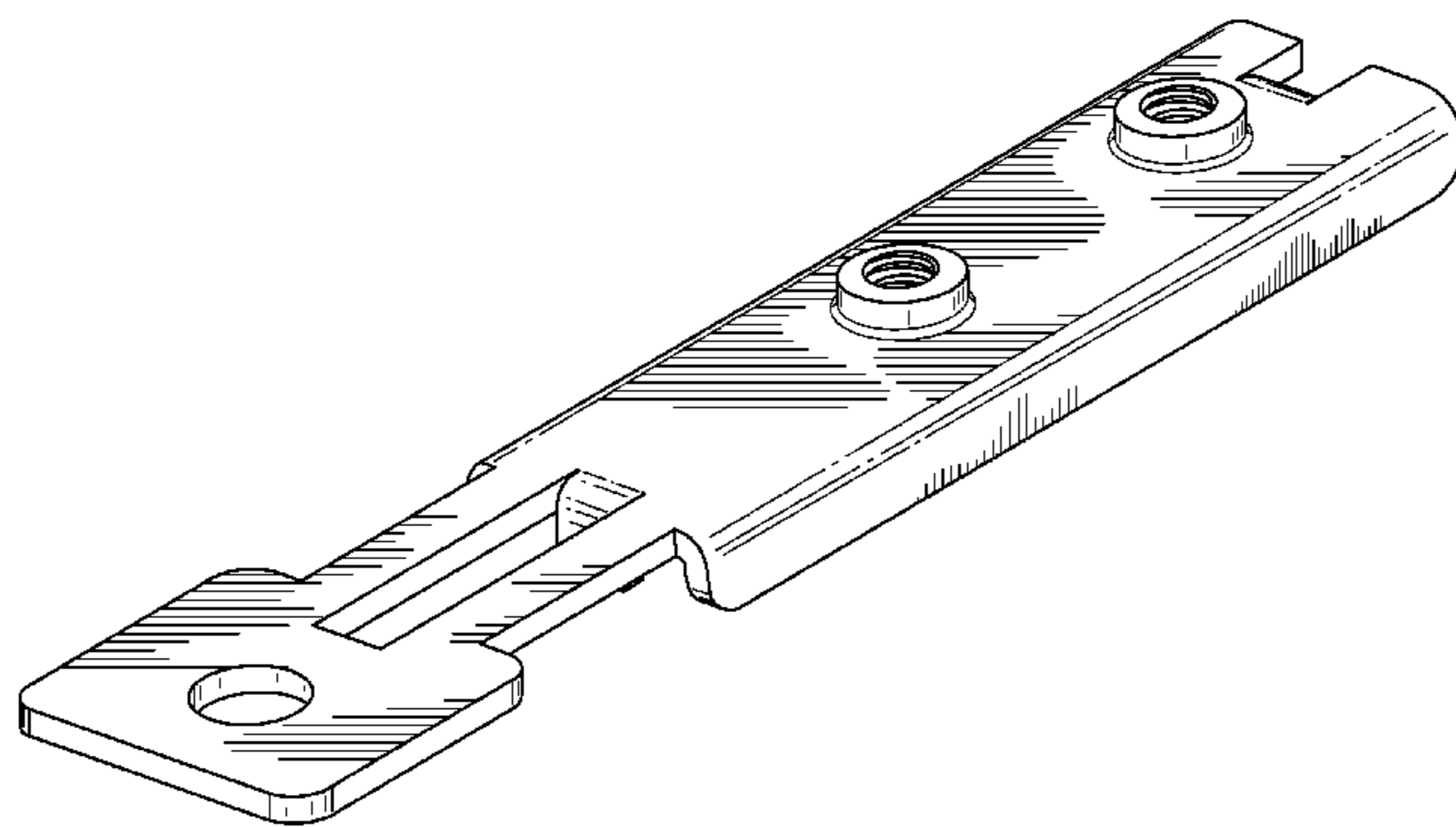
FIG. 12 is a top plan view of the joint device for cable racks of FIG. 9;

FIG. 13 is a bottom plan view of the joint device for cable racks of FIG. 9;

FIG. 14 is a rear plan view of the joint device for cable racks of FIG. 9; and,

FIG. 15 is a front plan view of the joint device for cable racks of FIG. 9.

1 Claim, 15 Drawing Sheets



US D619,878 S

Page 2

U.S. PATENT DOCUMENTS

D275,264 S * 8/1984 Wegener, II D8/373
D312,205 S * 11/1990 de Rooij D8/373
D373,074 S * 8/1996 Miyashita D8/382
D374,811 S * 10/1996 Miyashita D8/382
D375,040 S * 10/1996 Miyashita D8/382
D377,750 S * 2/1997 Hubbard D8/354
D380,374 S * 7/1997 Murakami D8/382
D422,483 S * 4/2000 Shea D8/354
6,109,819 A * 8/2000 Welch 403/353

6,513,776 B1 * 2/2003 Bissett 248/309.1
D578,377 S * 10/2008 Baer et al. D8/349

OTHER PUBLICATIONS

Wire Mesh Mounting Bracket (Part No. GRWVK 10) and Wall and Support Bracket (Part No. GRWB10) for wire mesh trays, Niedax-Kleinhuis USA, Inc. Columbus, OH (2007).
Extension Plate (Part No. TLK-605) and Double Clip (Part No. TLK-607), Tharsus Direct, United Kingdom.

* cited by examiner

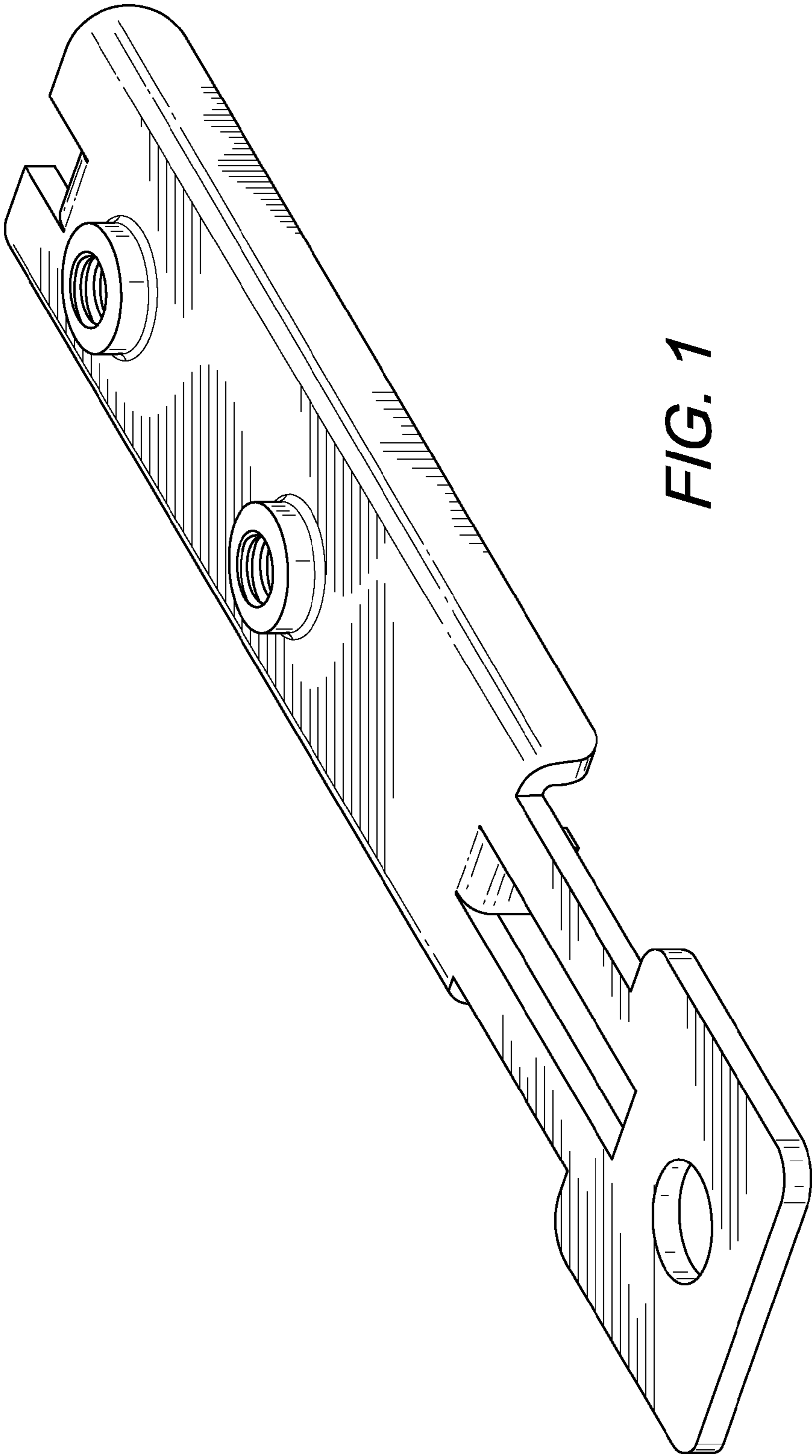


FIG. 1

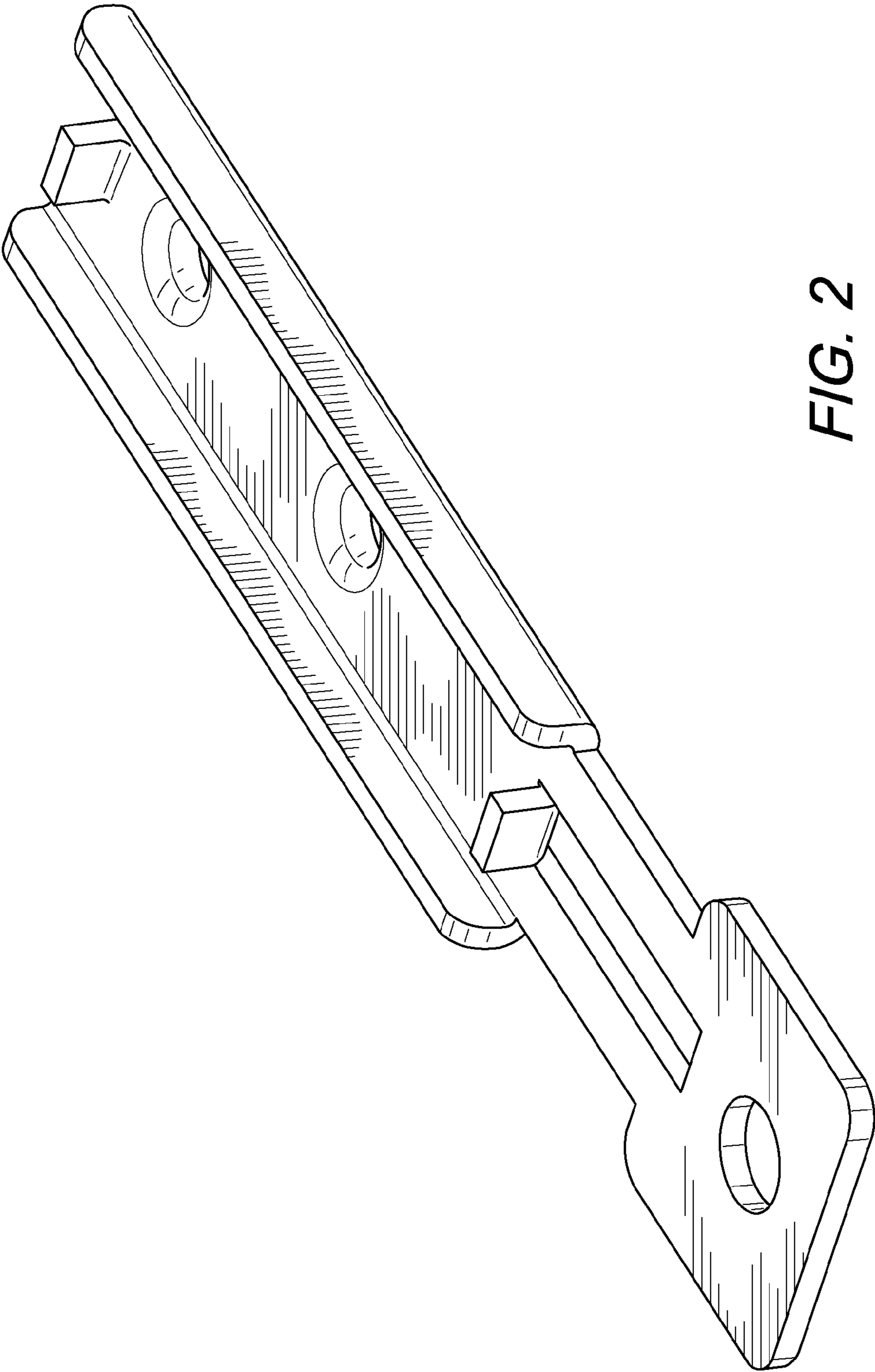


FIG. 2

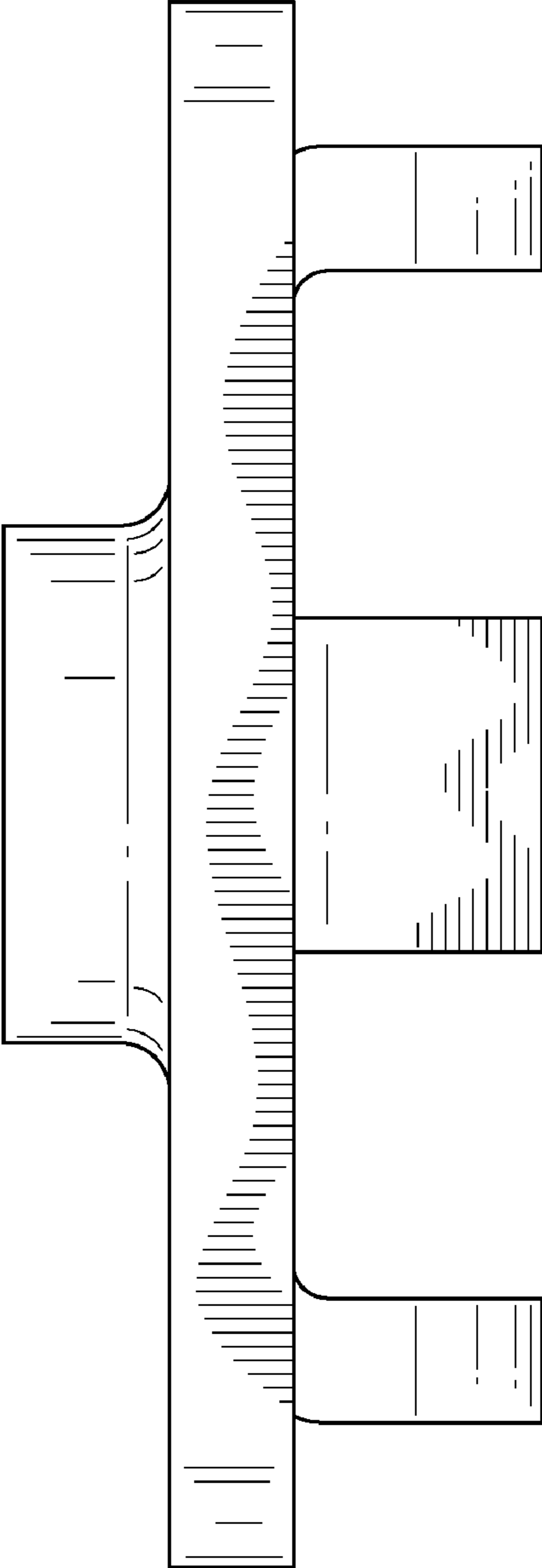


FIG. 3

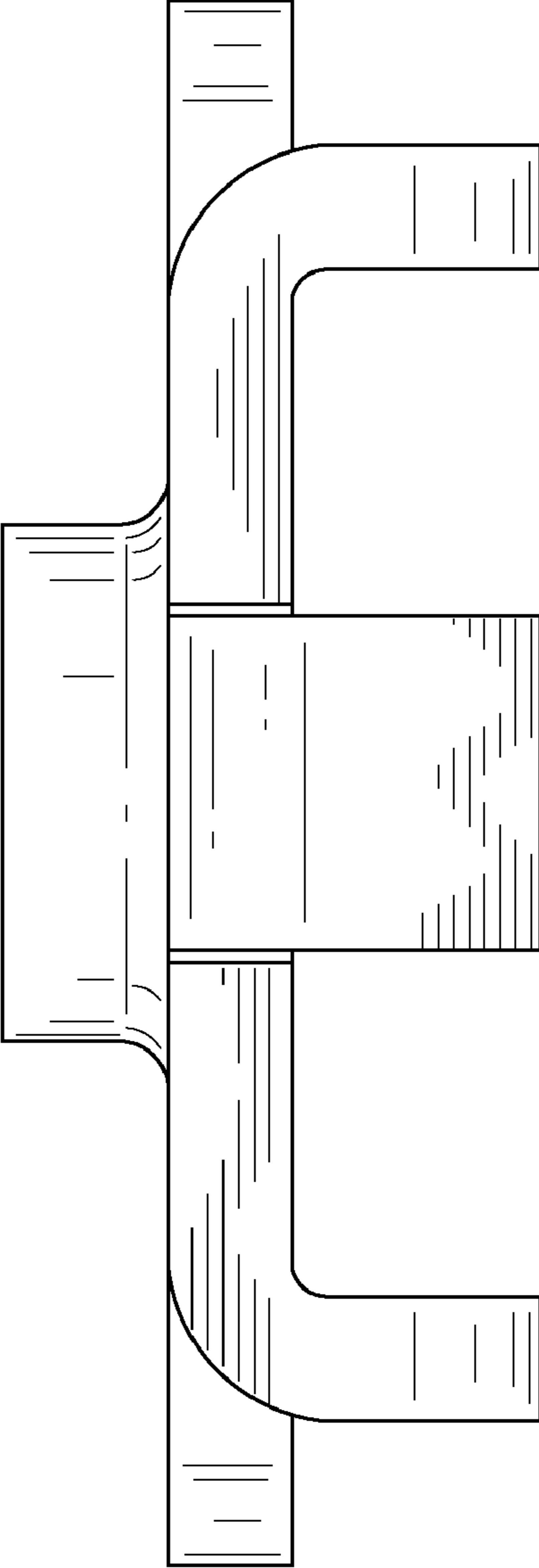


FIG. 4

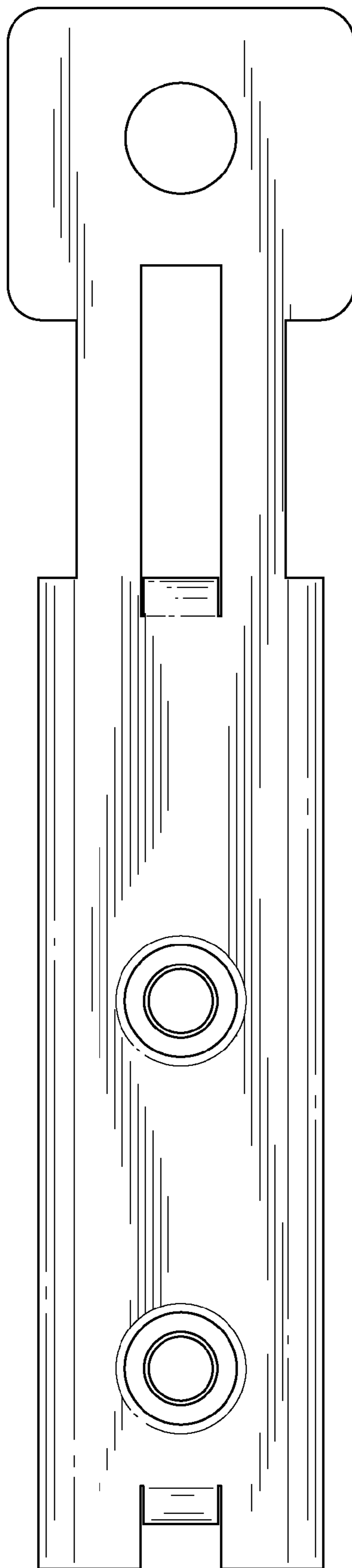


FIG. 5

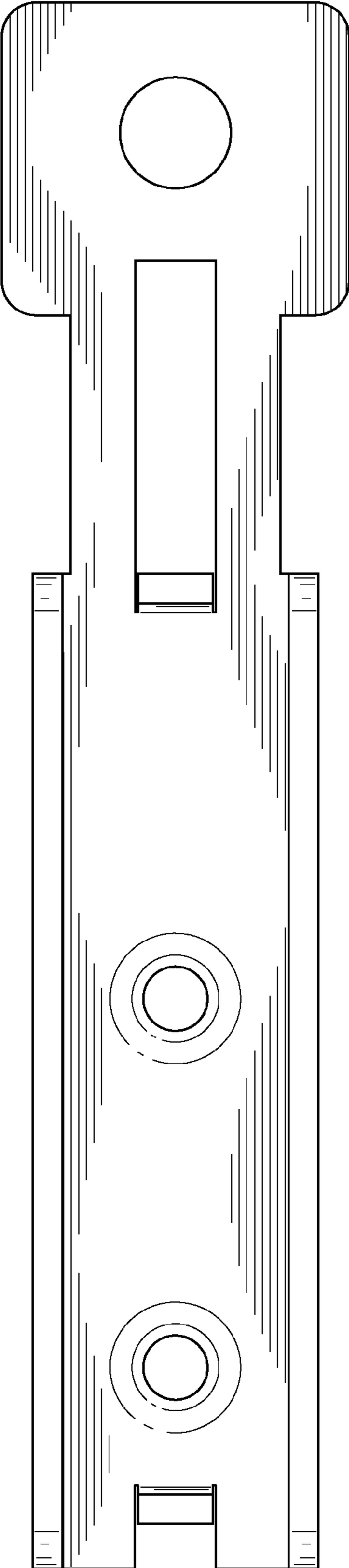


FIG. 6

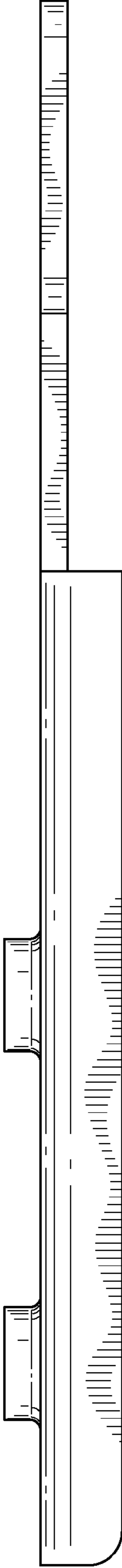


FIG. 7

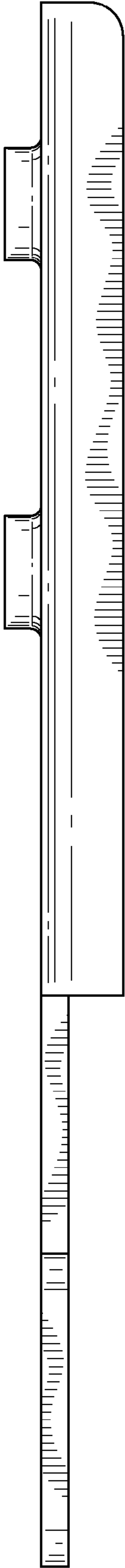


FIG. 8

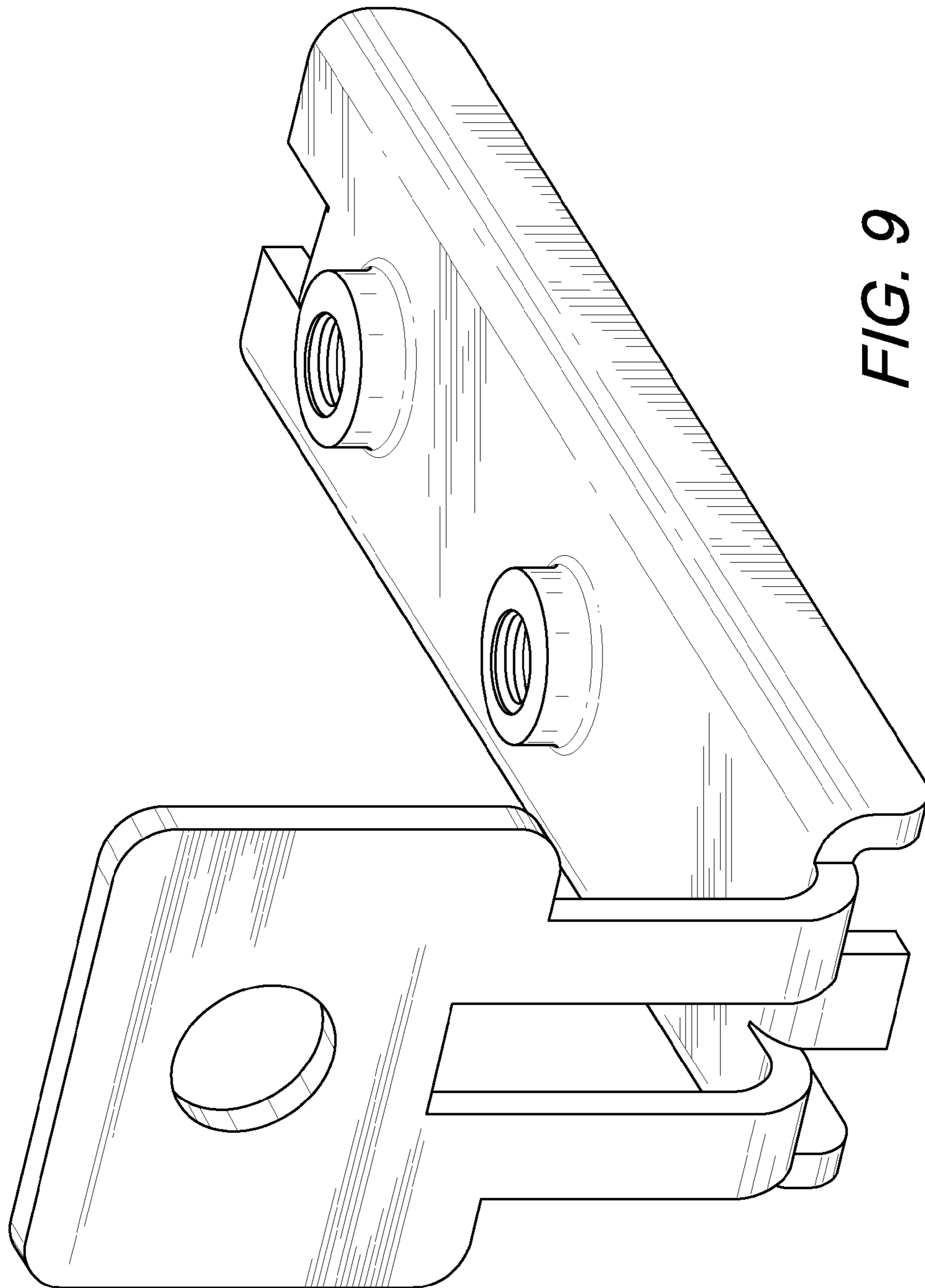


FIG. 9

FIG. 10

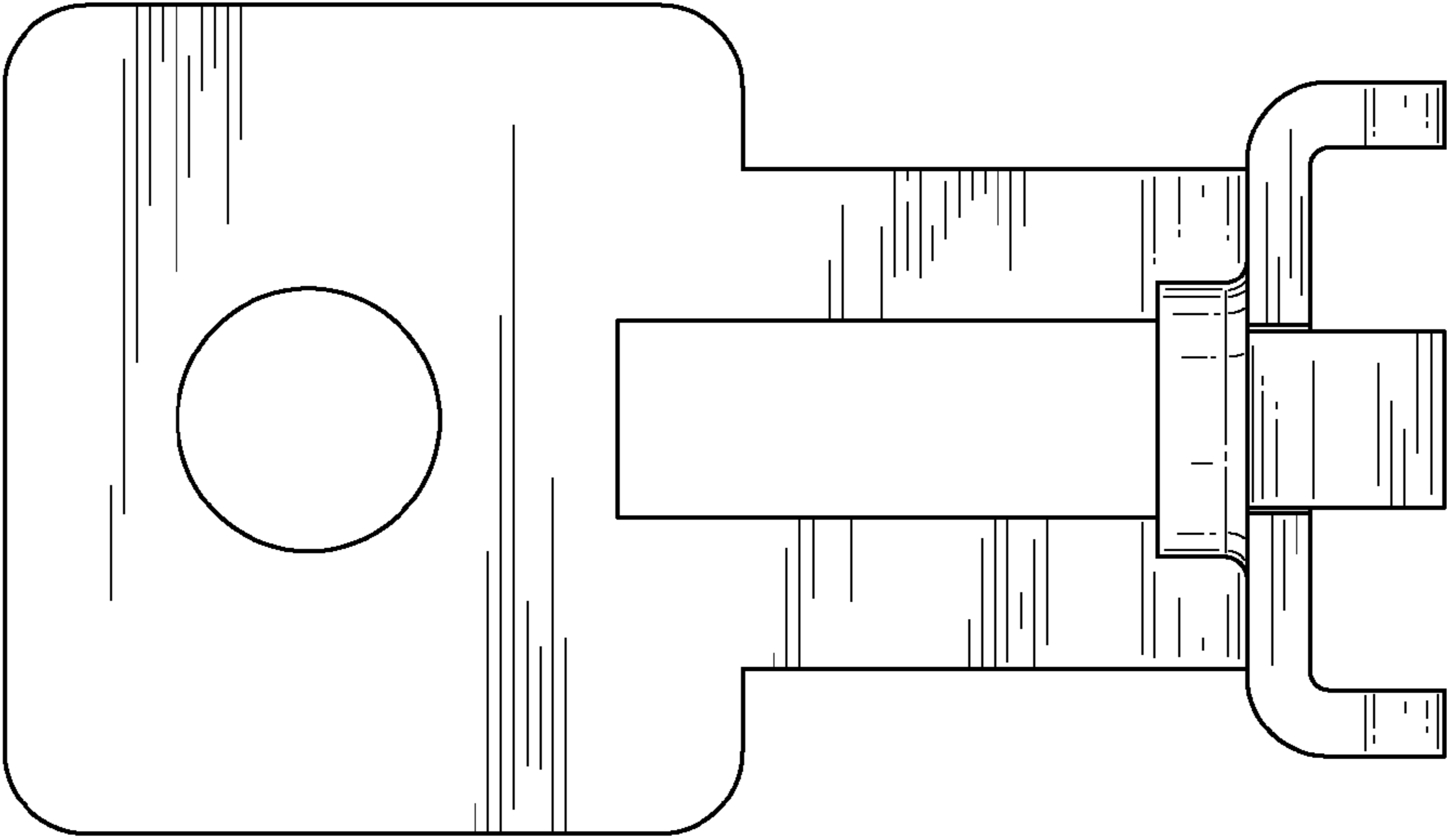


FIG. 11

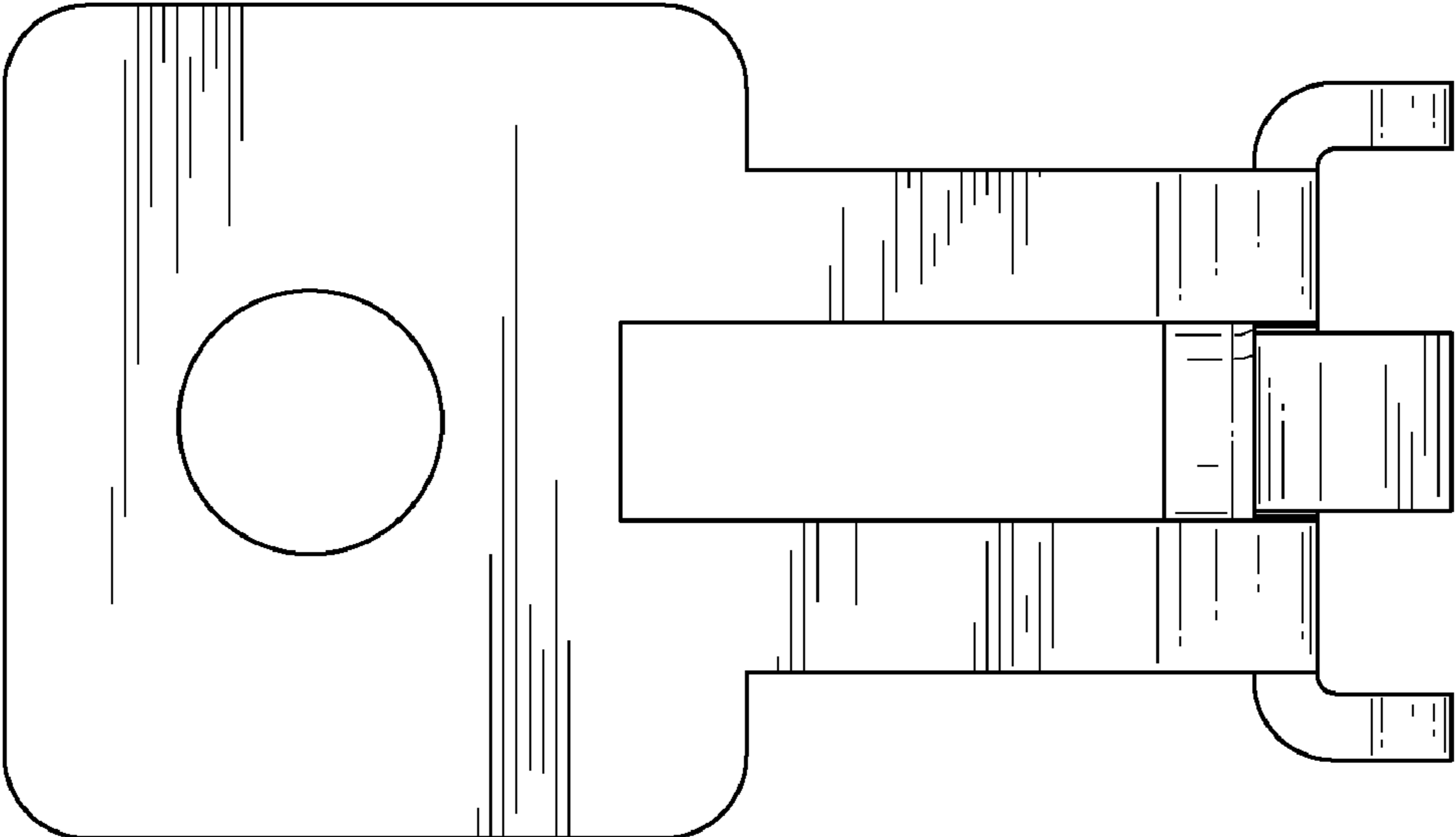


FIG. 12

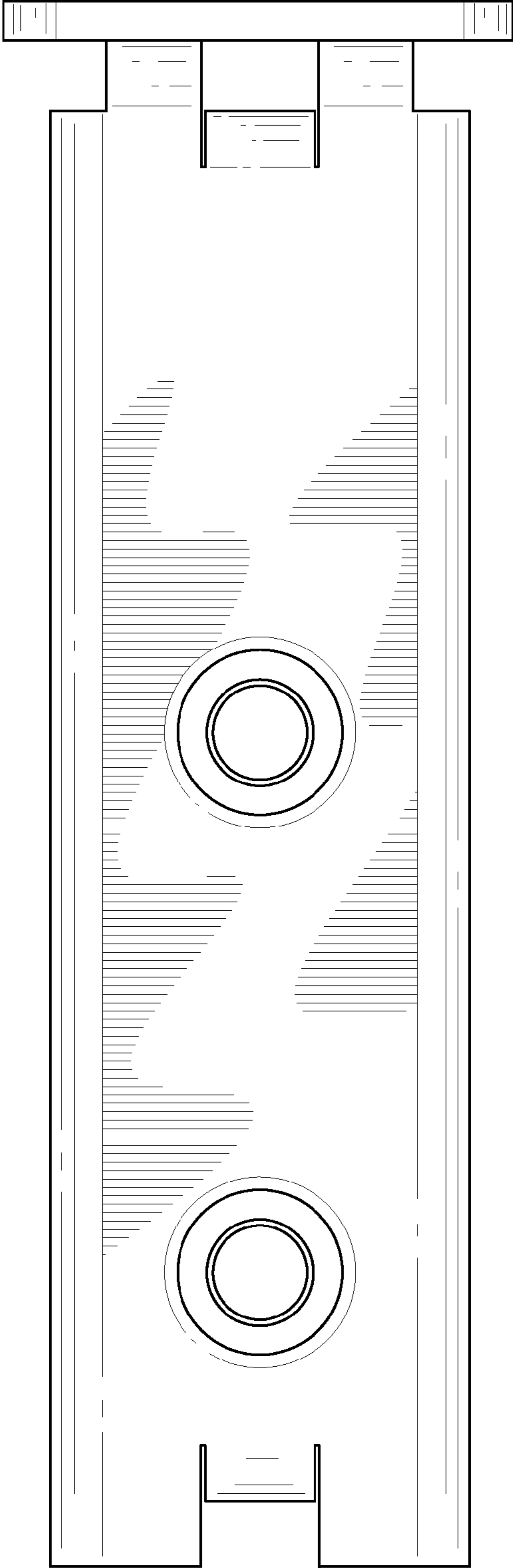
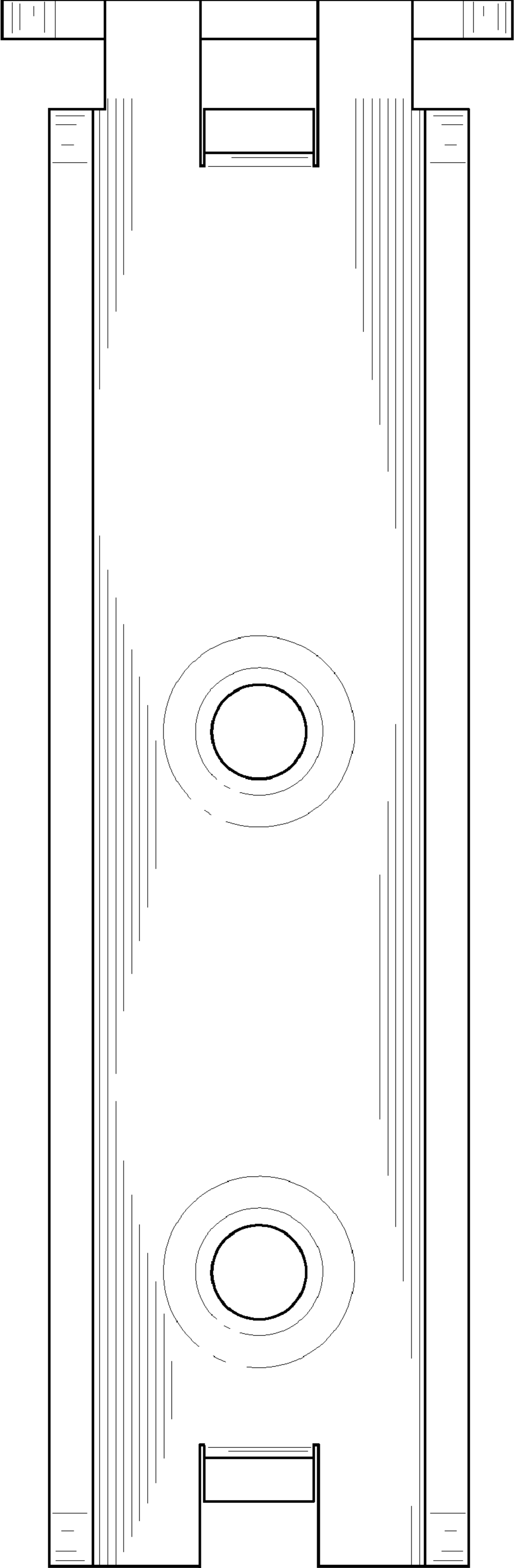


FIG. 13



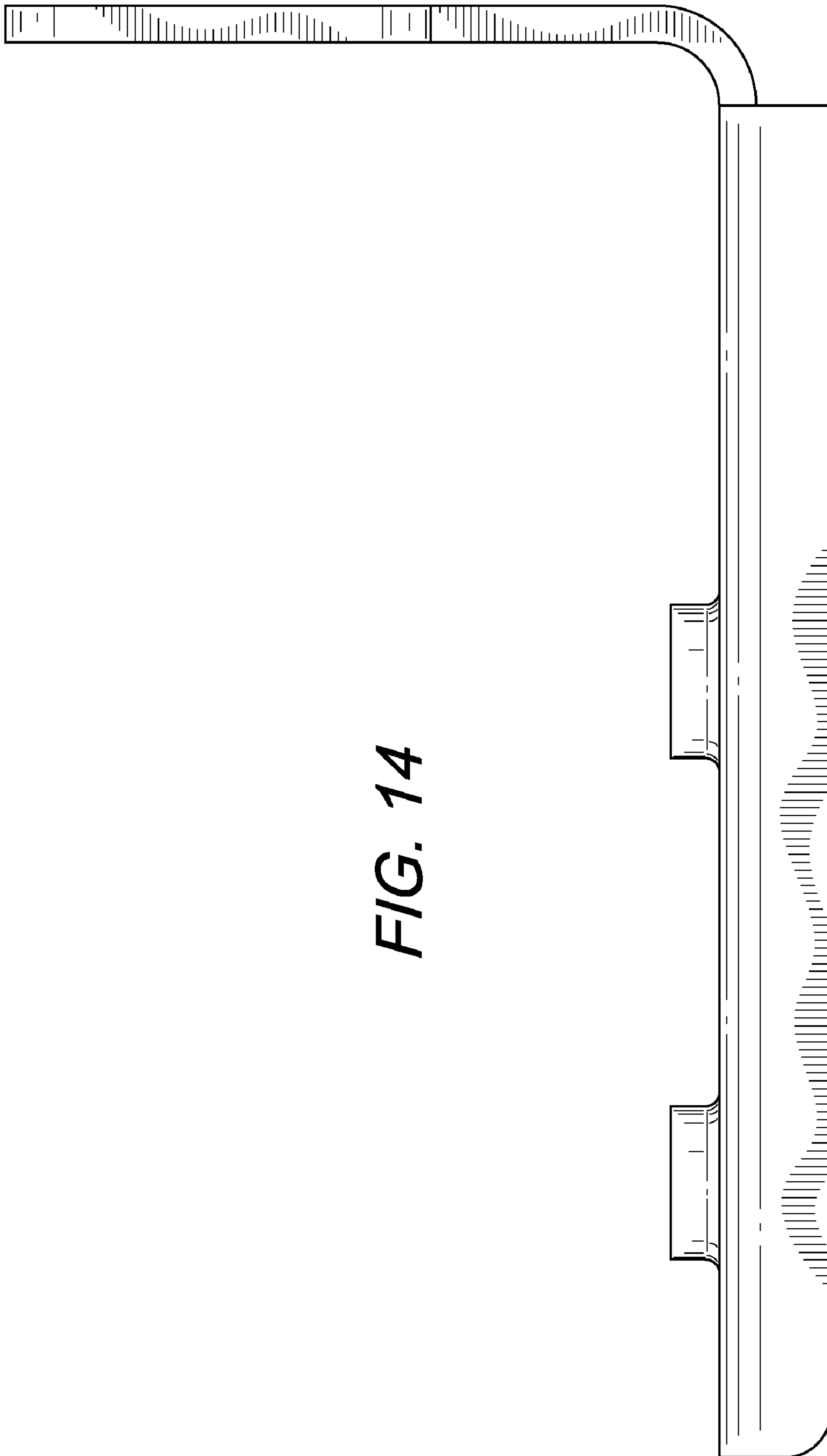


FIG. 14

FIG. 15

