



US00D619877S

(12) **United States Design Patent**
Siebuhr

(10) **Patent No.:** **US D619,877 S**
(45) **Date of Patent:** **** Jul. 20, 2010**

(54) **INFORMATION DISPLAY MOUNT BRACKET**

DESCRIPTION

(75) Inventor: **Aaron Siebuhr**, San Diego, CA (US)

(73) Assignees: **Sony Corporation**, Tokyo (JP); **Sony Electronics Inc.**, Park Ridge, NJ (US)

(**) Term: **14 Years**

(21) Appl. No.: **29/331,406**

(22) Filed: **Jan. 26, 2009**

(51) **LOC (9) Cl.** **08-05**

(52) **U.S. Cl.** **D8/354**

(58) **Field of Classification Search** D8/349,
D8/354; 248/300, 276.1, 220.43; 211/70.6,
211/86.01

See application file for complete search history.

(56) **References Cited**

U.S. PATENT DOCUMENTS

D377,805 S * 2/1997 To D19/32
D408,851 S * 4/1999 To D19/32
D424,106 S * 5/2000 Ko D19/32
D433,445 S * 11/2000 To D19/32

* cited by examiner

Primary Examiner—Holly H Baynham

(74) *Attorney, Agent, or Firm*—John L. Rogitz

(57) **CLAIM**

The ornamental design for the information display mount bracket, as shown and described.

FIG. 1 is a perspective view of the information display mount bracket for retail store, with the information placard clips in the closed configuration;

FIG. 2 is a front view of the information display mount bracket of FIG. 1;

FIG. 3 is a rear view of the information display mount bracket of FIG. 1;

FIG. 4 is a side view of the information display mount bracket of FIG. 1;

FIG. 5 is a top view of the information display mount bracket of FIG. 1;

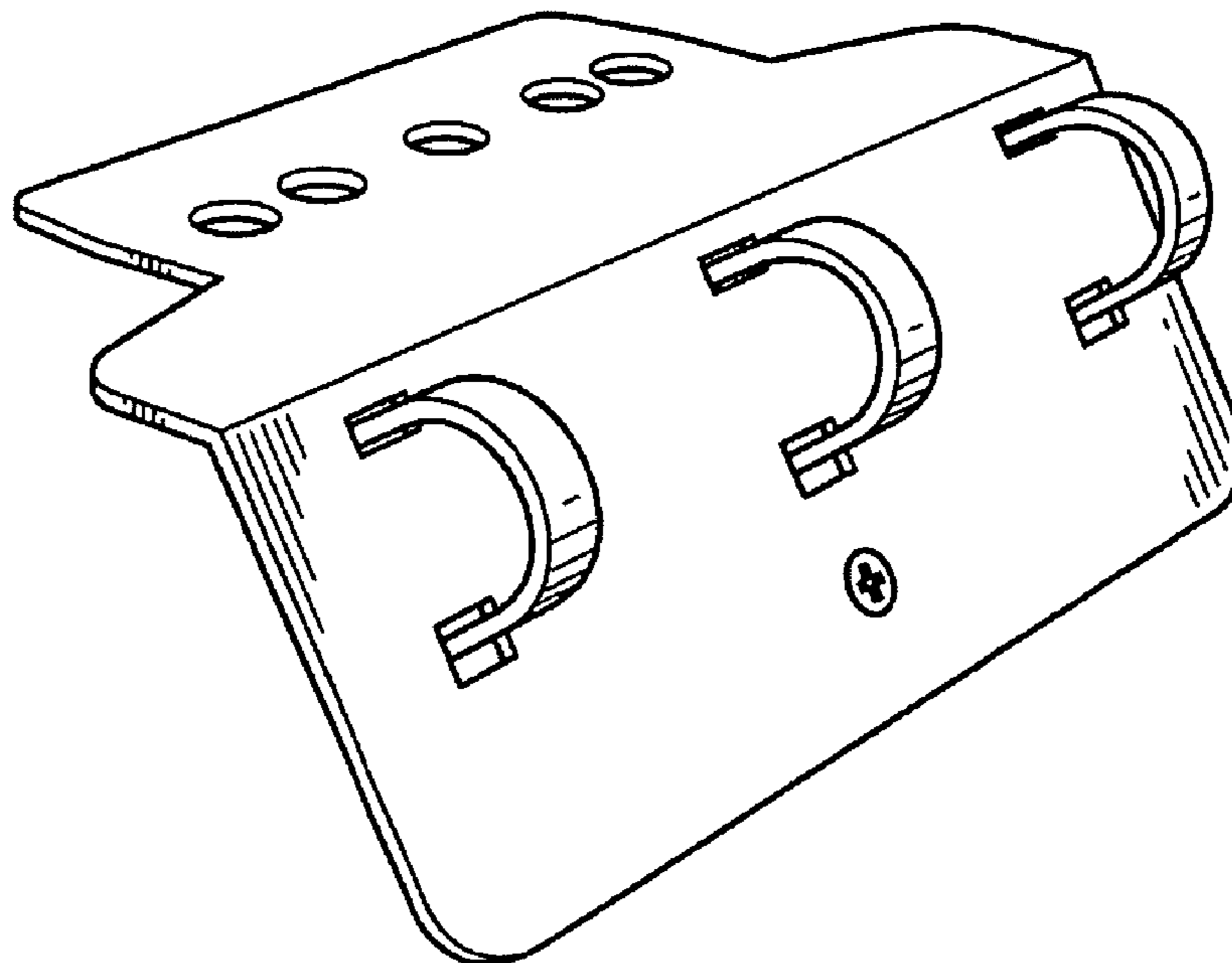
FIG. 6 is a bottom view of the information display mount bracket of FIG. 1;

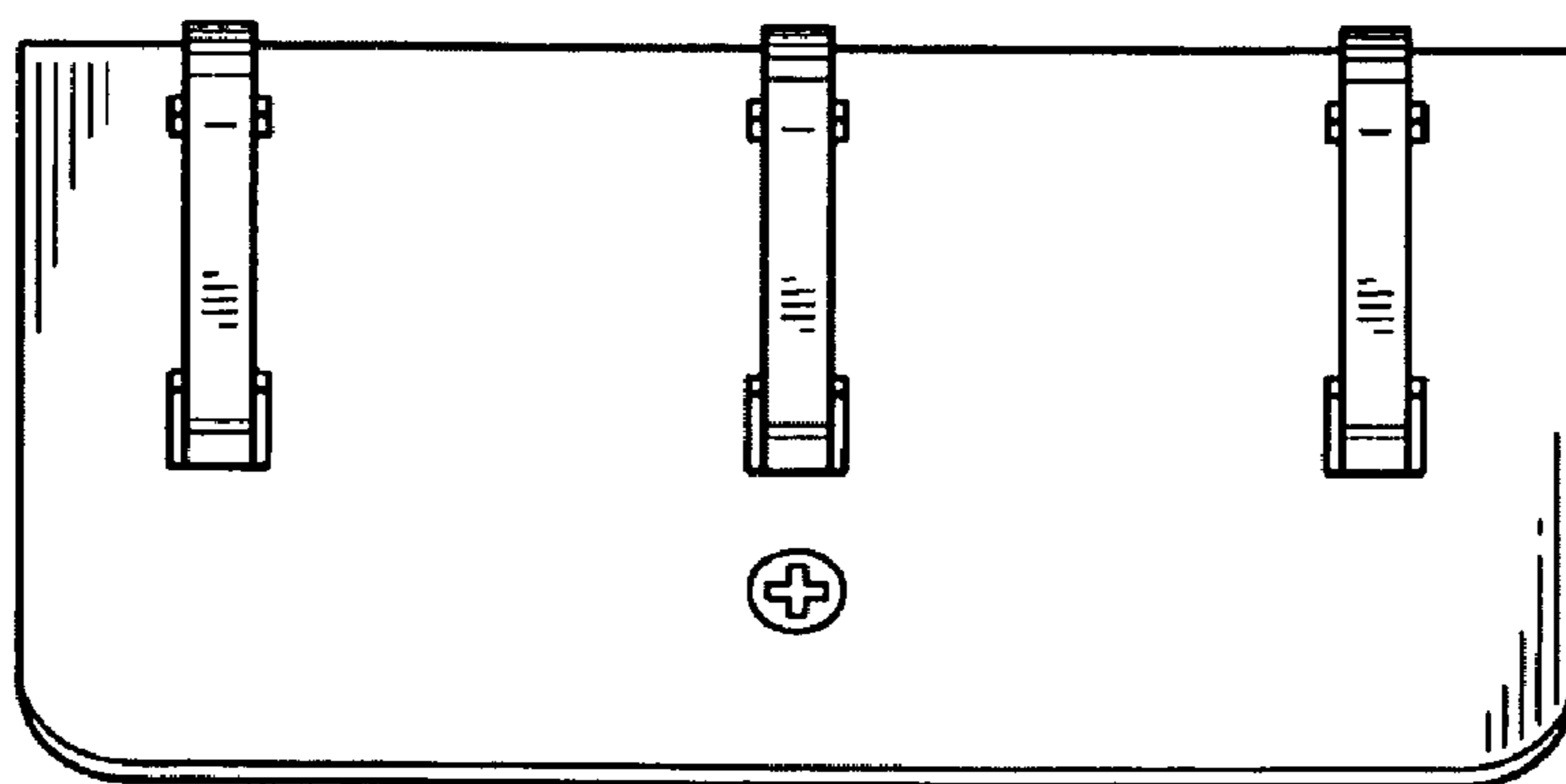
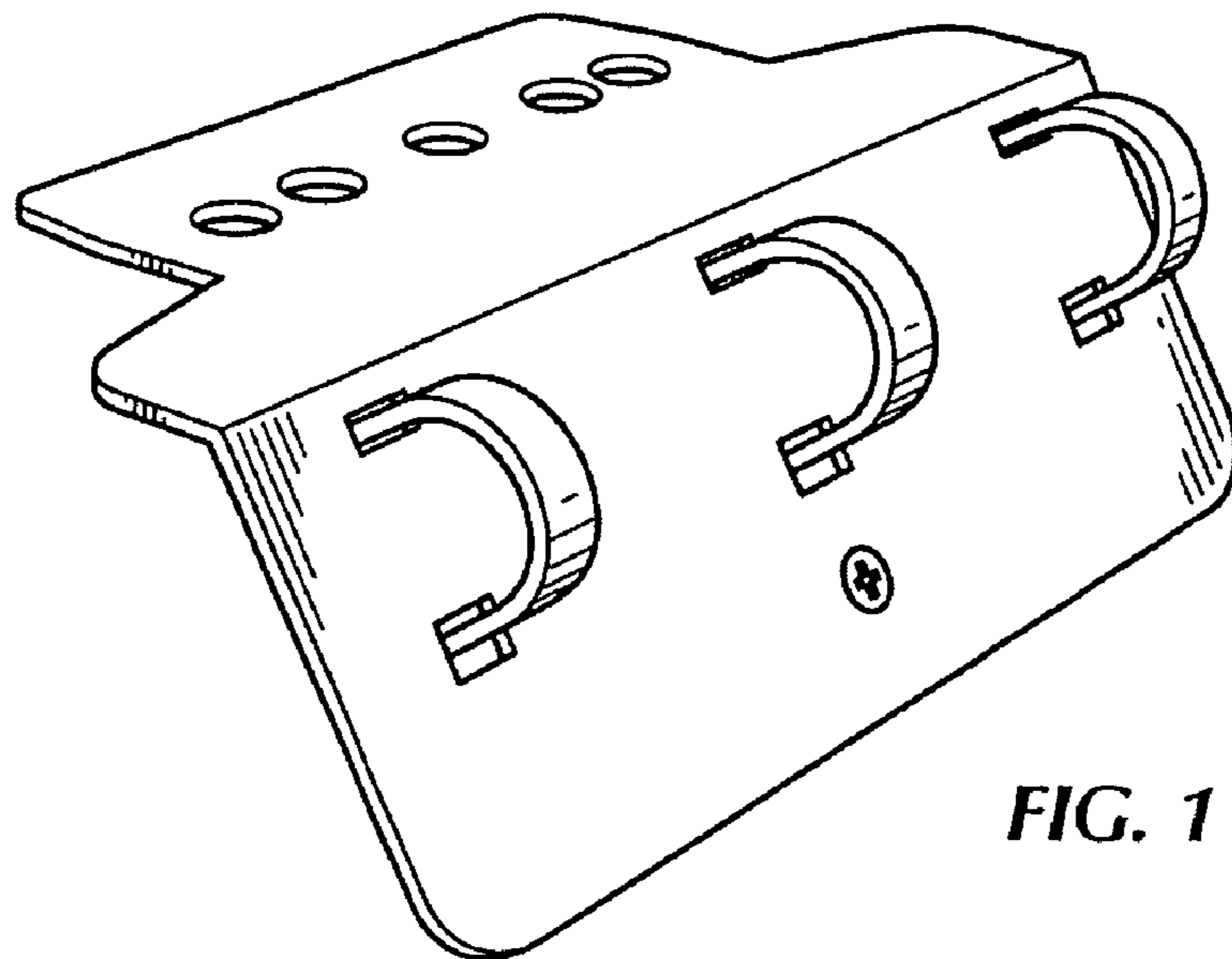
FIG. 7 is a perspective view of the information display mount bracket for retail store, with the information placard clips in the open configuration;

FIG. 8 is a perspective view of the information display mount bracket for retail store, with the information placard clips in the open configuration, showing the information placards in phantom to indicate that the placards are not part of the claimed invention; and,

FIG. 9 is a perspective view of the information display mount bracket for retail store, with the information placard clips in the closed configuration, showing the information placards in phantom to indicate that the placards are not part of the claimed invention.

1 Claim, 5 Drawing Sheets





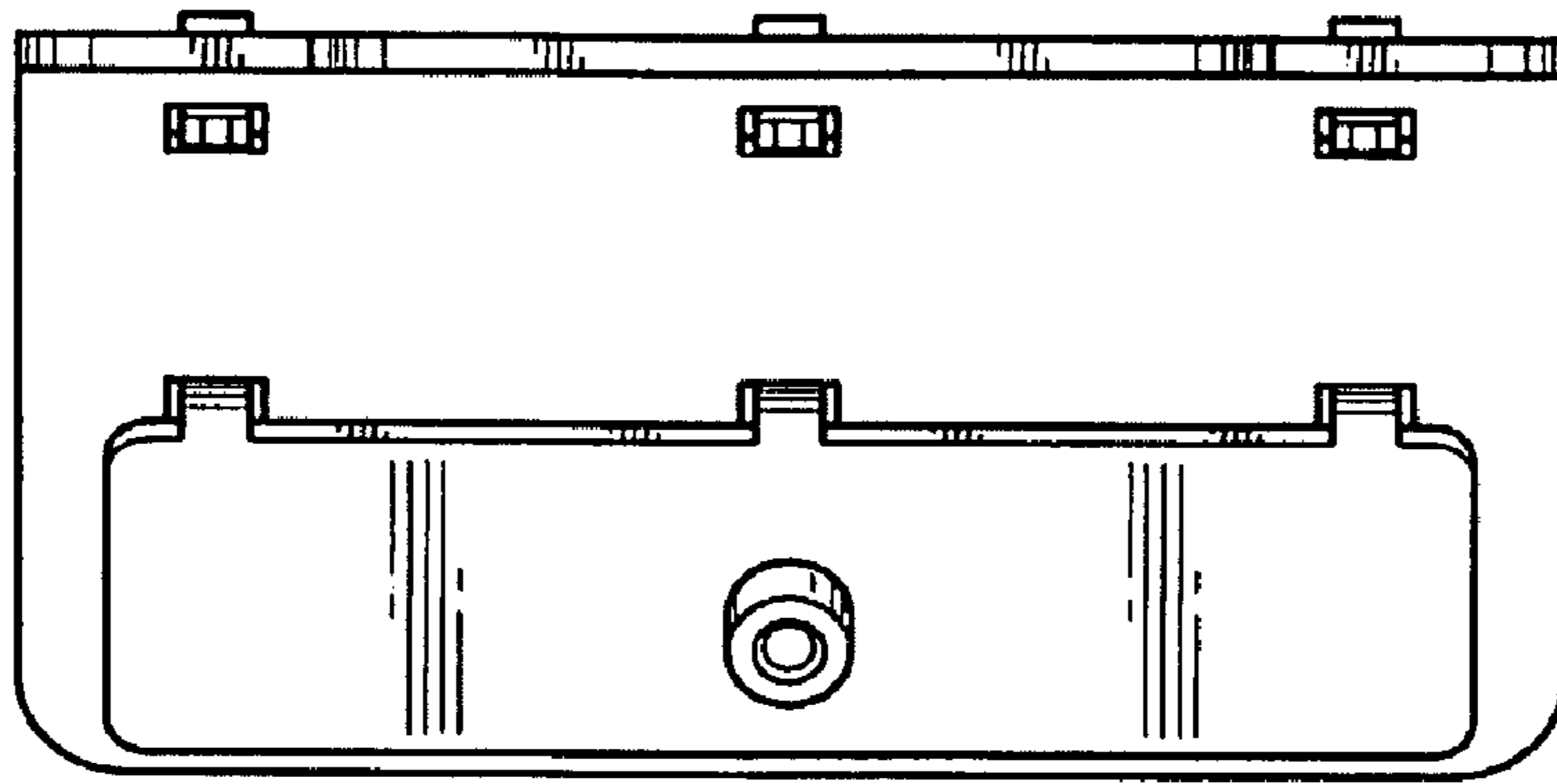


FIG. 3

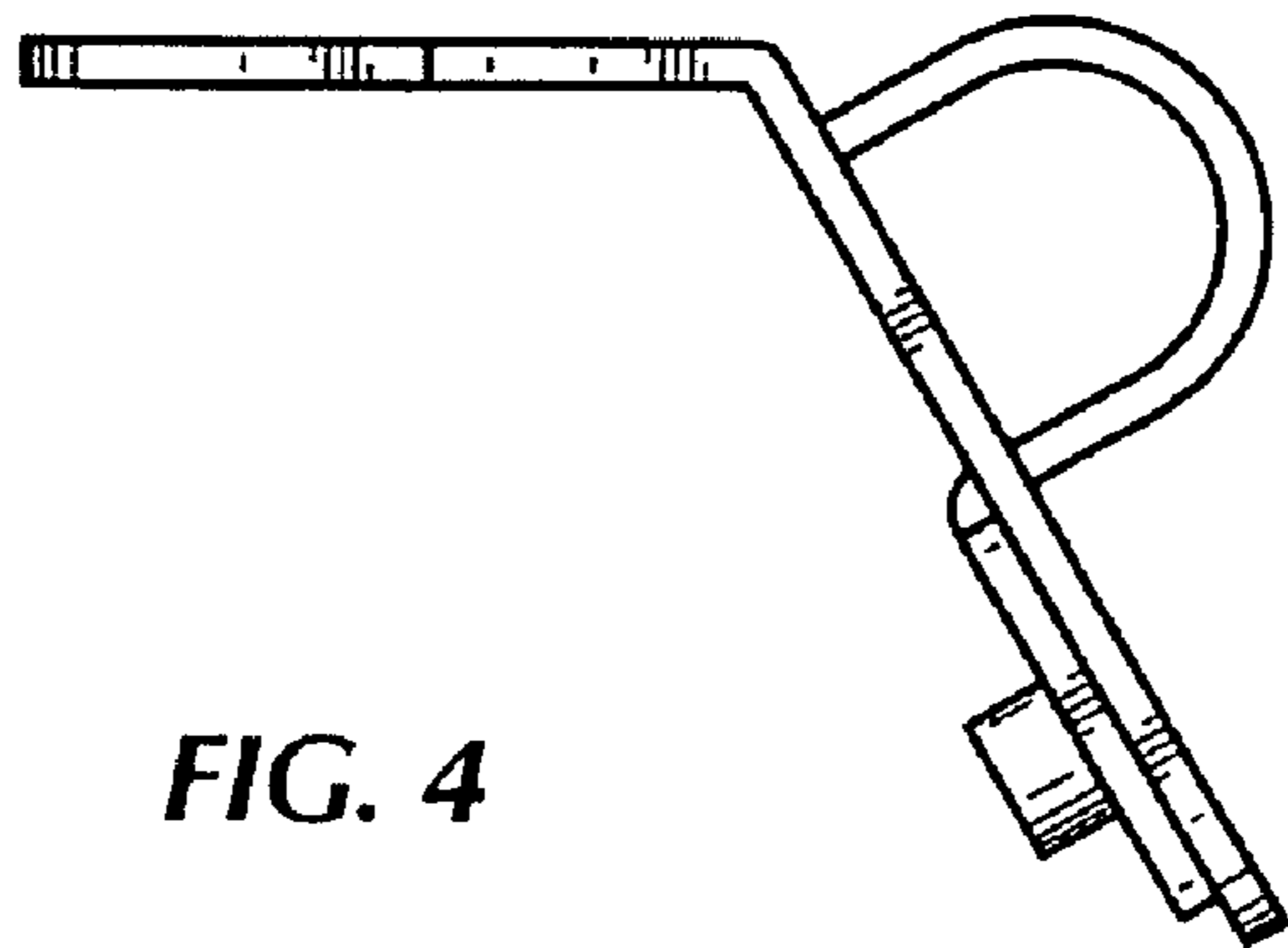


FIG. 4

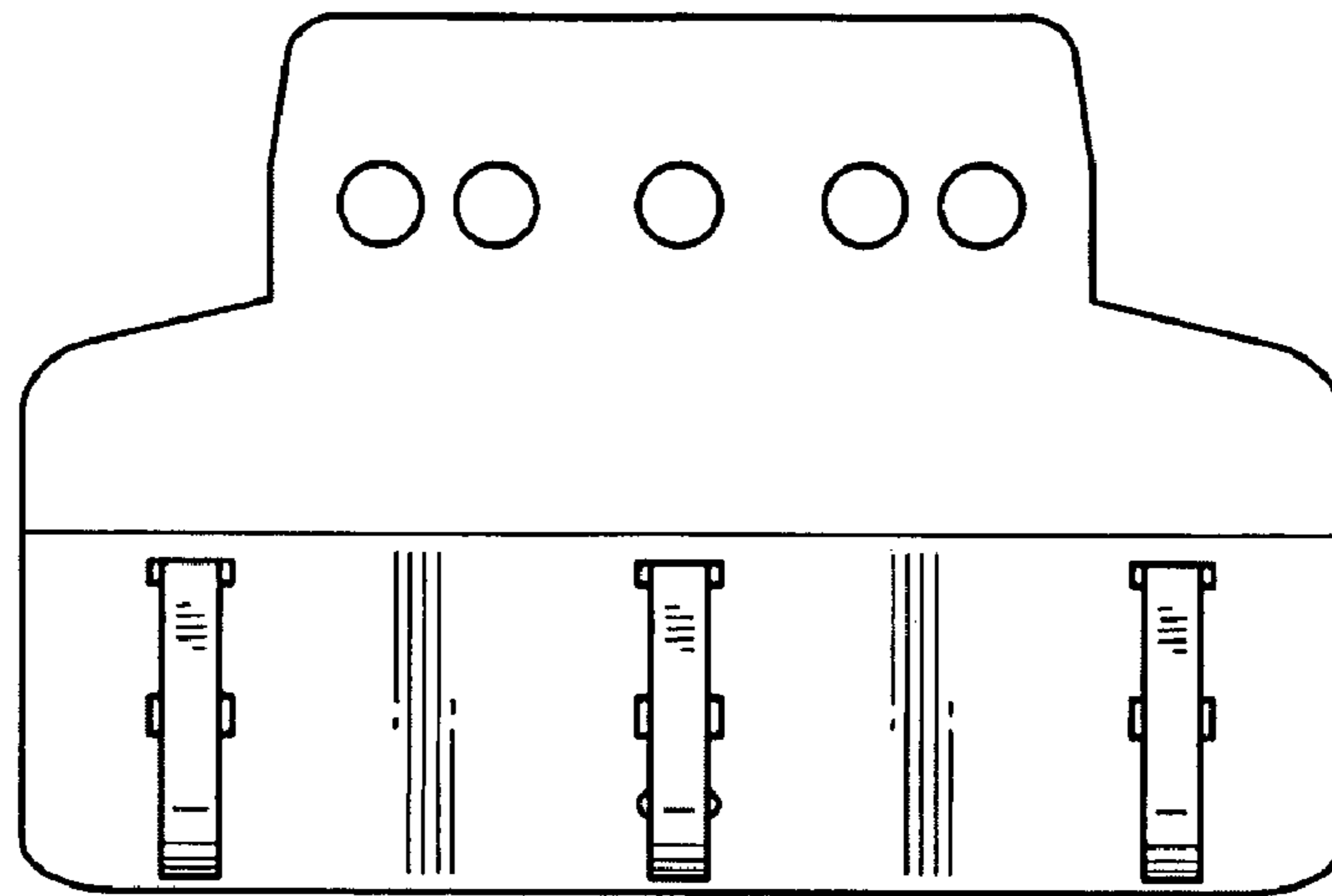


FIG. 5

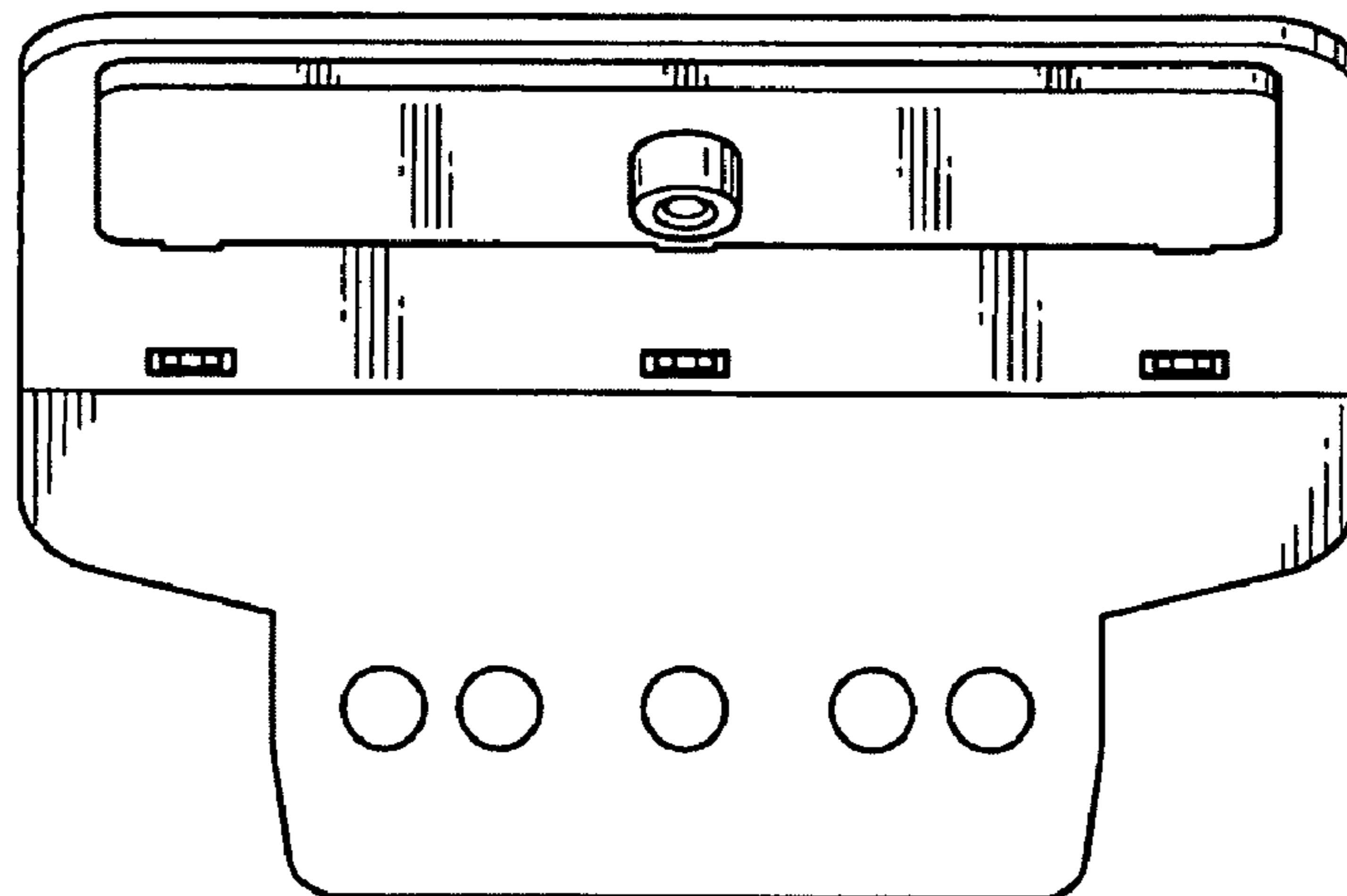


FIG. 6

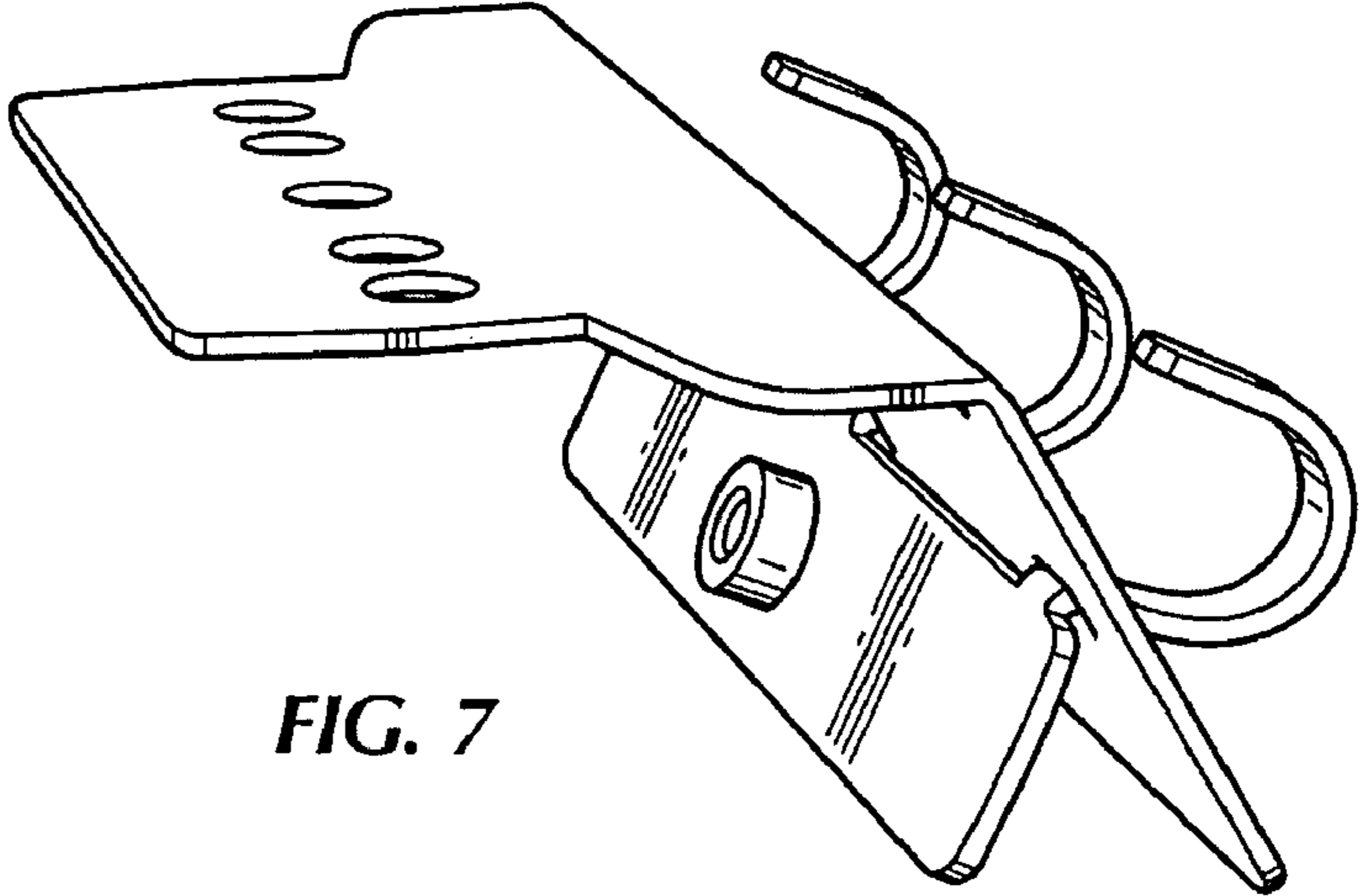


FIG. 7

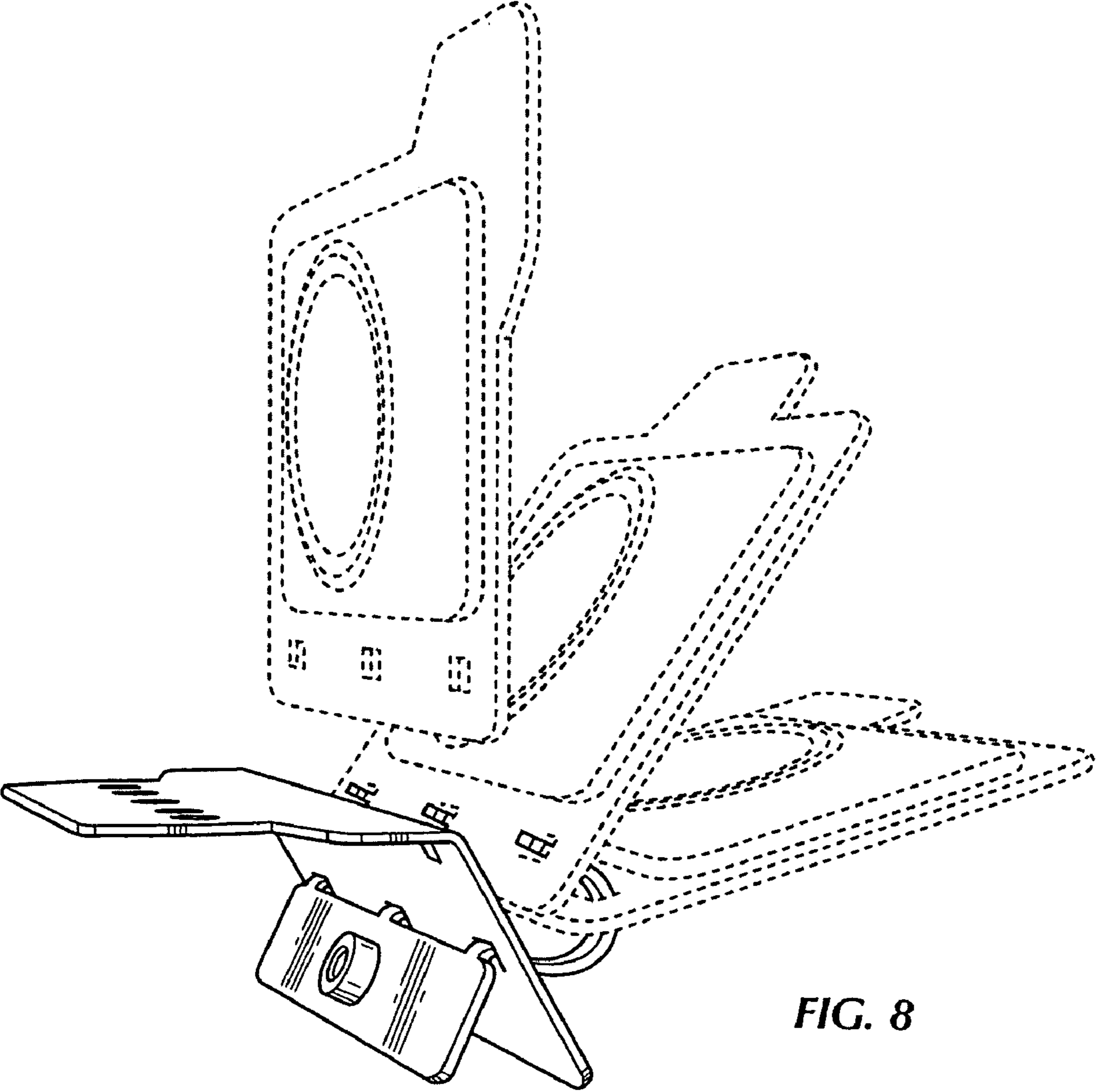


FIG. 8

