



US00D619876S

(12) **United States Design Patent**
Pastore

(10) **Patent No.:** **US D619,876 S**

(45) **Date of Patent:** **** Jul. 20, 2010**

(54) **KEY IN THE NAME OF LETTERS ANY**

D586,646 S * 2/2009 Rand D8/348

(76) Inventor: **Jonathon David Pastore**, 210 Gray Rd.
Lot 24, Havelock, NC (US) 28532

* cited by examiner

Primary Examiner—Prabhakar Deshmukh

(**) Term: **14 Years**

(74) *Attorney, Agent, or Firm*—QuickPatents, Inc.; Kevin Prince

(21) Appl. No.: **29/342,905**

(57) **CLAIM**

(22) Filed: **Sep. 2, 2009**

I claim the ornamental design for a key in the name of letters any, as shown and described.

(51) **LOC (9) Cl.** **08-07**

(52) **U.S. Cl.** **D8/347**

(58) **Field of Classification Search** D8/347,
D8/348; 70/336, 344, 382, 393, 395, 402,
70/408

DESCRIPTION

See application file for complete search history.

FIG. 1 is a perspective view of a key in the name of letters any, showing my new design;

FIG. 2 is a front elevational view thereof;

FIG. 3 is a rear elevational view thereof;

FIG. 4 is a left-side elevational view thereof;

FIG. 5 is a right-side elevational view thereof;

FIG. 6 is a top plan view thereof; and,

FIG. 7 is a bottom plan view thereof.

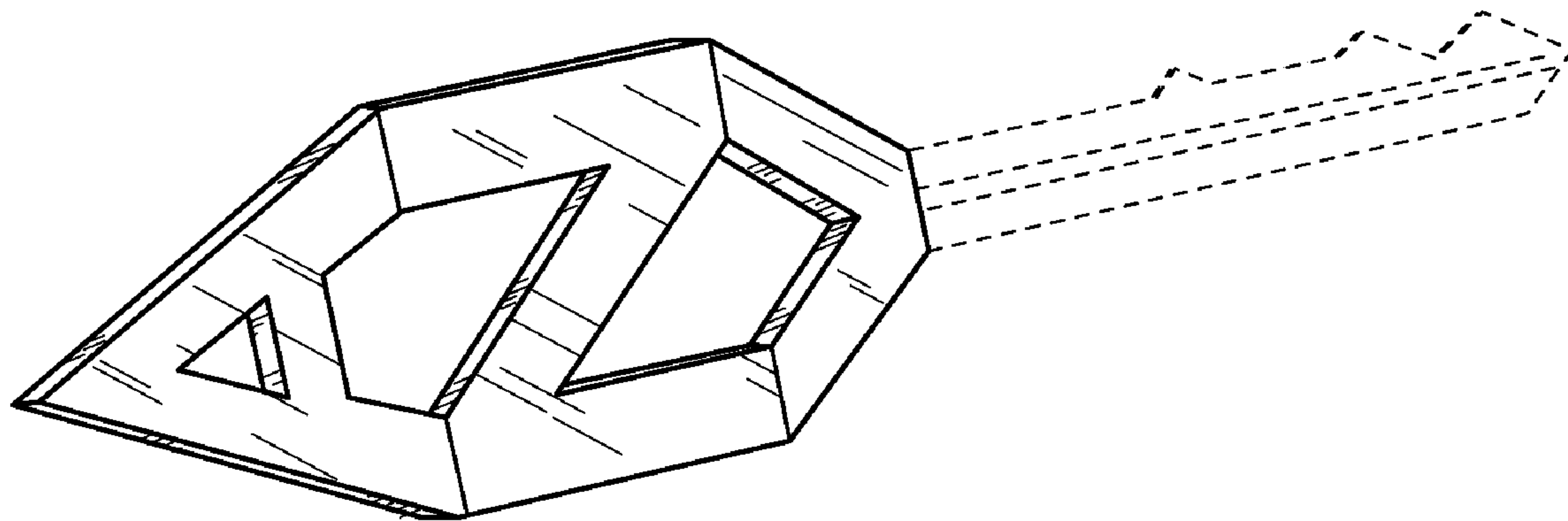
(56) **References Cited**

U.S. PATENT DOCUMENTS

1,794,498	A *	3/1931	Ridgway	40/330
D190,598	S *	6/1961	Ragot	D8/348
D225,301	S *	12/1972	Roger	D8/348
D235,846	S *	7/1975	Uldano	D8/348
4,662,200	A *	5/1987	Borda	70/411
D417,934	S *	12/1999	Footer et al.	D32/42
D574,696	S *	8/2008	Greening	D8/347

The broken lines showing ridges and grooves in FIGS. 1–4 are included for the purpose of illustrating the invention in use, and form no part of the claimed design.

1 Claim, 2 Drawing Sheets



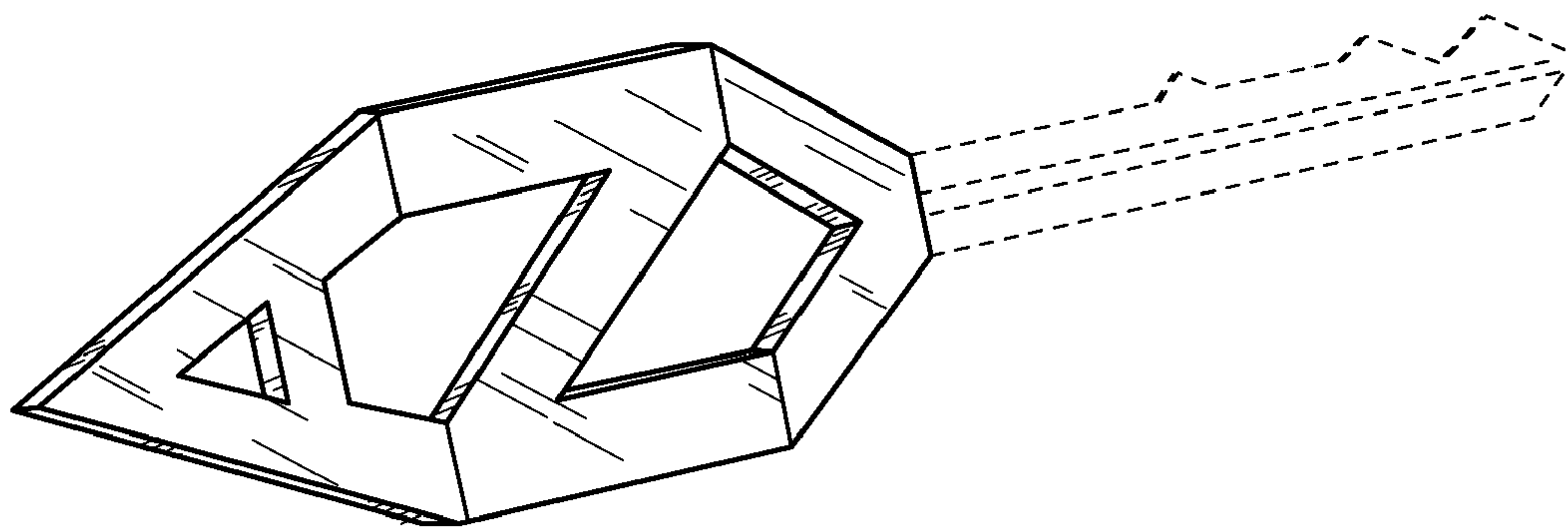


FIG. 1

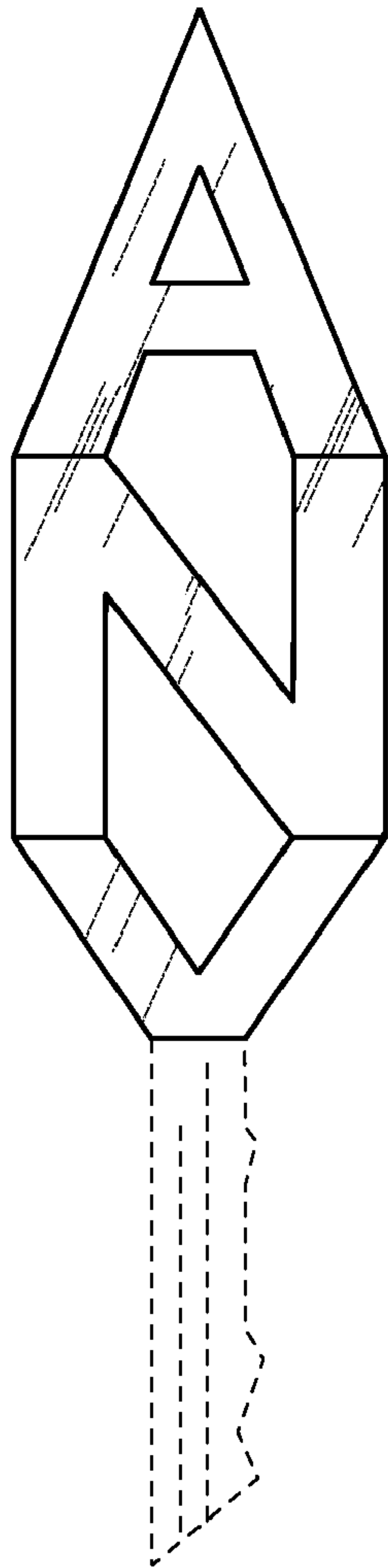


FIG. 2

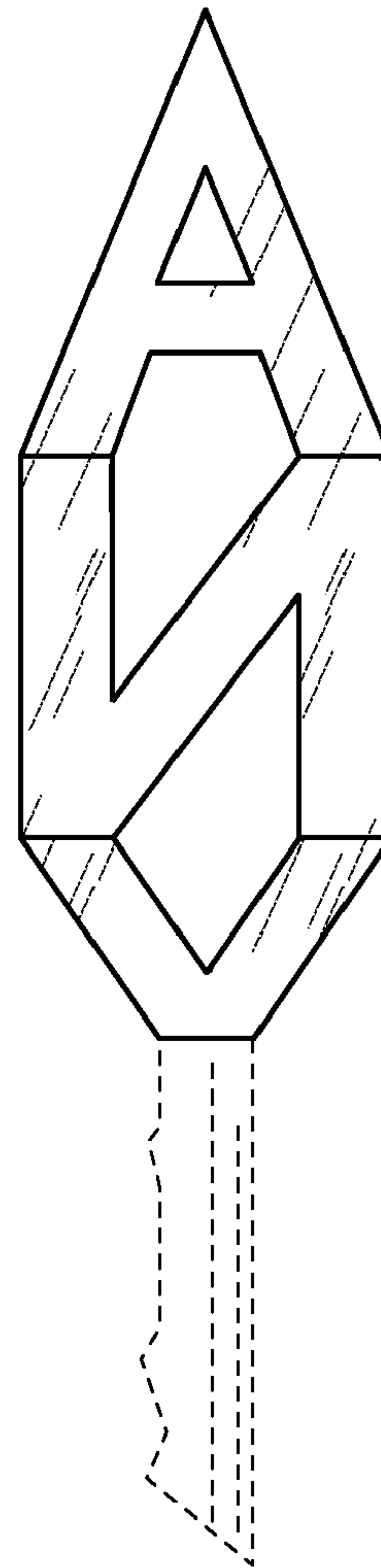


FIG. 3



FIG. 4



FIG. 5



FIG. 6



FIG. 7