



US00D619873S

(12) **United States Design Patent**
Bhattacharya

(10) **Patent No.:** **US D619,873 S**
(45) **Date of Patent:** **** Jul. 20, 2010**

(54) **APPLIANCE KNOB**

(75) Inventor: **Abhijeet Bhattacharya**, Saint Joseph,
MI (US)

(73) Assignee: **Whirlpool Corporation**, Benton Harbor,
MI (US)

(**) Term: **14 Years**

(21) Appl. No.: **29/346,811**

(22) Filed: **Nov. 6, 2009**

(51) **LOC (9) Cl.** **08-06**

(52) **U.S. Cl.** **D8/311**

(58) **Field of Classification Search** D8/300–303,
D8/305–312, 321, DIG. 2; D7/402, 405,
D7/393; 74/553, 548, 558.5; 116/309, 315,
116/311, 312, 319, 320; 200/316, 336; 345/156;
16/441, 110 R, 114 R, 121, 118, 414
See application file for complete search history.

(56) **References Cited**

U.S. PATENT DOCUMENTS

| | | | | | | |
|-----------|---|---|---------|---------------|-------|---------|
| 1,884,133 | A | * | 10/1932 | Nero | | 200/336 |
| D146,327 | S | * | 2/1947 | Trombley | | D8/311 |
| 2,537,782 | A | * | 1/1951 | Meyers | | 116/309 |
| D162,733 | S | * | 4/1951 | Hitchcock | | D8/311 |
| D162,734 | S | * | 4/1951 | Hitchcock | | D8/311 |
| D165,672 | S | * | 1/1952 | Stewart | | D8/311 |
| D166,874 | S | * | 5/1952 | Reed | | D8/311 |
| D198,028 | S | * | 4/1964 | Collins, Jr. | | D8/311 |
| D202,273 | S | * | 9/1965 | Brendgord | | D8/311 |
| D203,991 | S | * | 3/1966 | Rosen | | D8/311 |
| D208,918 | S | * | 10/1967 | Dorl, Jr. | | D8/311 |
| D209,145 | S | * | 11/1967 | Hampel | | D8/311 |
| D209,591 | S | * | 12/1967 | Hampel | | D8/311 |
| D225,204 | S | * | 11/1972 | Kendrick | | D8/311 |
| D233,507 | S | * | 11/1974 | Stevens, Jr. | | D9/453 |
| D258,819 | S | * | 4/1981 | Matsuda | | D14/265 |
| D344,786 | S | * | 3/1994 | Short et al. | | D23/252 |
| D400,778 | S | * | 11/1998 | Holbrook, Jr. | | D8/311 |
| D443,496 | S | * | 6/2001 | DeCosse | | D8/300 |
| D444,049 | S | * | 6/2001 | Decosse | | D8/311 |

| | | | | | | |
|----------|---|---|---------|----------------|-------|--------|
| D450,997 | S | * | 11/2001 | Brady | | D8/311 |
| D467,489 | S | * | 12/2002 | Rubinson | | D8/310 |
| D493,090 | S | * | 7/2004 | Chen et al. | | D8/310 |
| D498,657 | S | * | 11/2004 | Milrud et al. | | D8/311 |
| D504,300 | S | * | 4/2005 | Chen et al. | | D8/310 |
| D510,515 | S | * | 10/2005 | Miller | | D8/311 |
| D511,669 | S | * | 11/2005 | Miller | | D8/300 |
| D516,407 | S | * | 3/2006 | Grutzke et al. | | D8/311 |
| D520,857 | S | * | 5/2006 | Bertani | | D8/312 |

(Continued)

Primary Examiner—Mark A Goodwin

(74) *Attorney, Agent, or Firm*—Tara M. Hartman; Barnes & Thornburg, LLP

(57) **CLAIM**

The ornamental design for an appliance knob, as shown and described.

DESCRIPTION

FIG. 1 is a front perspective view of an appliance knob showing my new design;

FIG. 2 is a front elevational view of the appliance knob of FIG. 1;

FIG. 3 is a first side elevational view of the appliance knob of FIG. 1, with the second side elevational view being a minor image of FIG. 3;

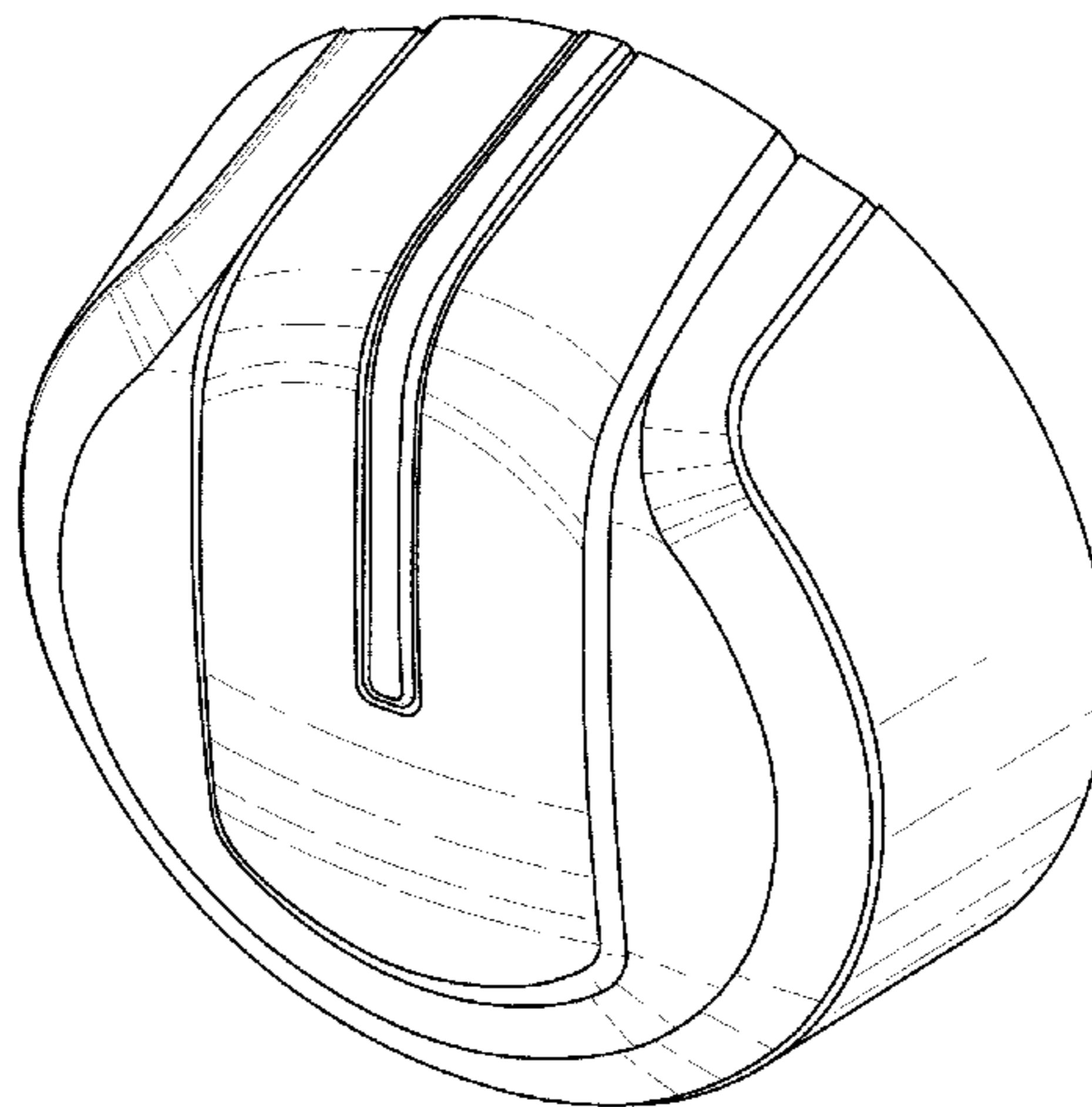
FIG. 4 is a bottom plan view of the appliance knob of FIG. 1; and,

FIG. 5 is a top plan view of the appliance knob of FIG. 1.

The rear elevational view is not shown and forms no part of the claimed design.

The portion shown in broken lines is for illustrative purposes only and forms no part of the claimed design.

1 Claim, 5 Drawing Sheets



US D619,873 S

Page 2

U.S. PATENT DOCUMENTS

| | | | | | | | |
|----------------|---------|---------------------|--------|-------------------|---------|------------------------------|---------|
| D521,314 S * | 5/2006 | Ball | D7/393 | D543,828 S * | 6/2007 | Strutin-Belinoff et al. | D8/310 |
| D521,801 S * | 5/2006 | Huxhold et al. | D7/393 | D564,980 S * | 3/2008 | Browne et al. | D13/174 |
| D525,517 S * | 7/2006 | Baldwin | D8/310 | D567,060 S * | 4/2008 | Busalt et al. | D8/310 |
| D525,518 S * | 7/2006 | Baldwin | D8/310 | D577,983 S * | 10/2008 | Martin et al. | D8/311 |
| D530,185 S * | 10/2006 | Osiecki et al. | D8/343 | D587,556 S * | 3/2009 | Marks | D8/312 |
| 7,171,727 B2 * | 2/2007 | Wylie et al. | 16/441 | 2004/0107545 A1 * | 6/2004 | Worrell | 16/441 |
| | | | | 2005/0241112 A1 * | 11/2005 | Worrell | 16/433 |

* cited by examiner

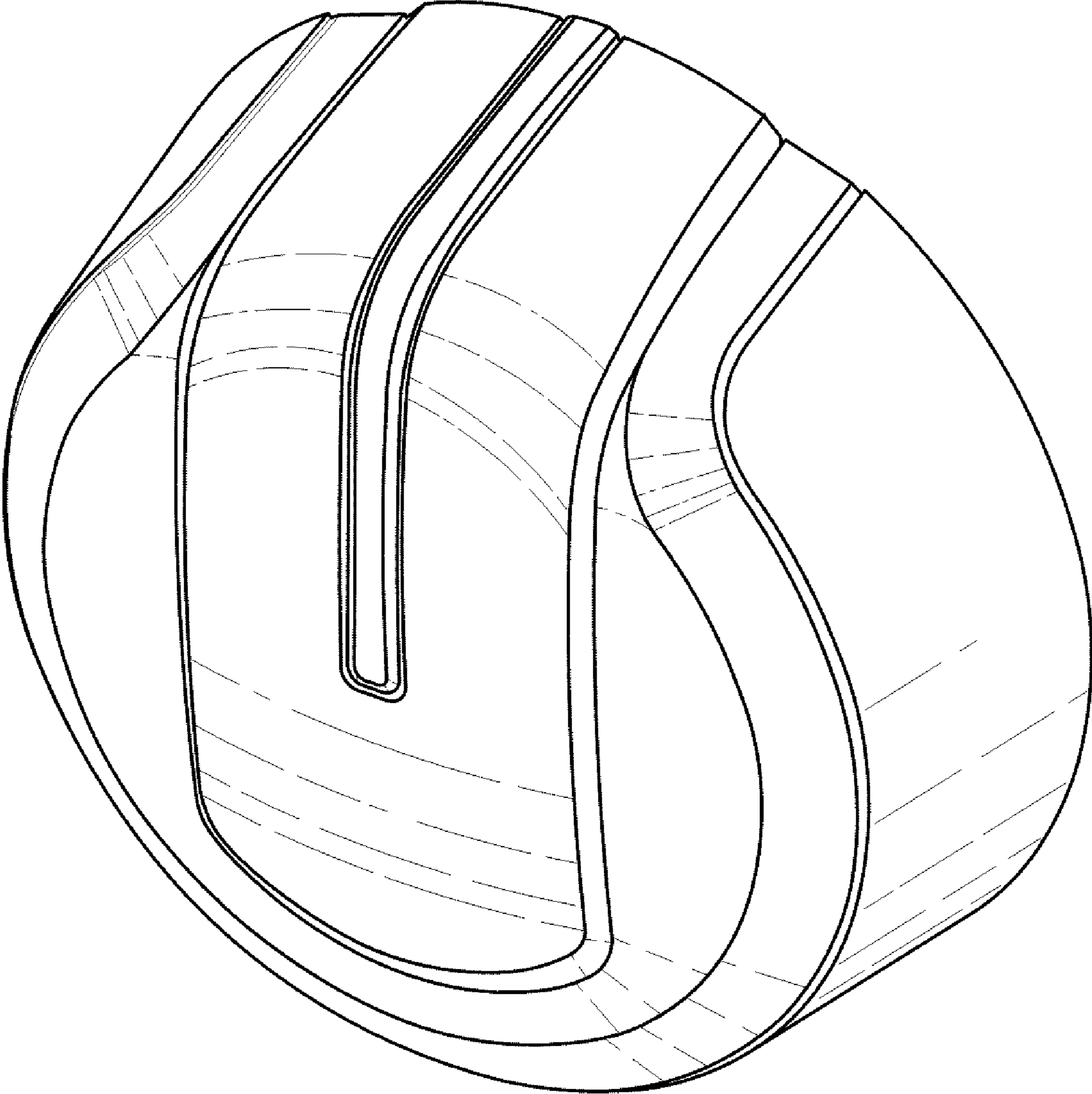


Fig. 1

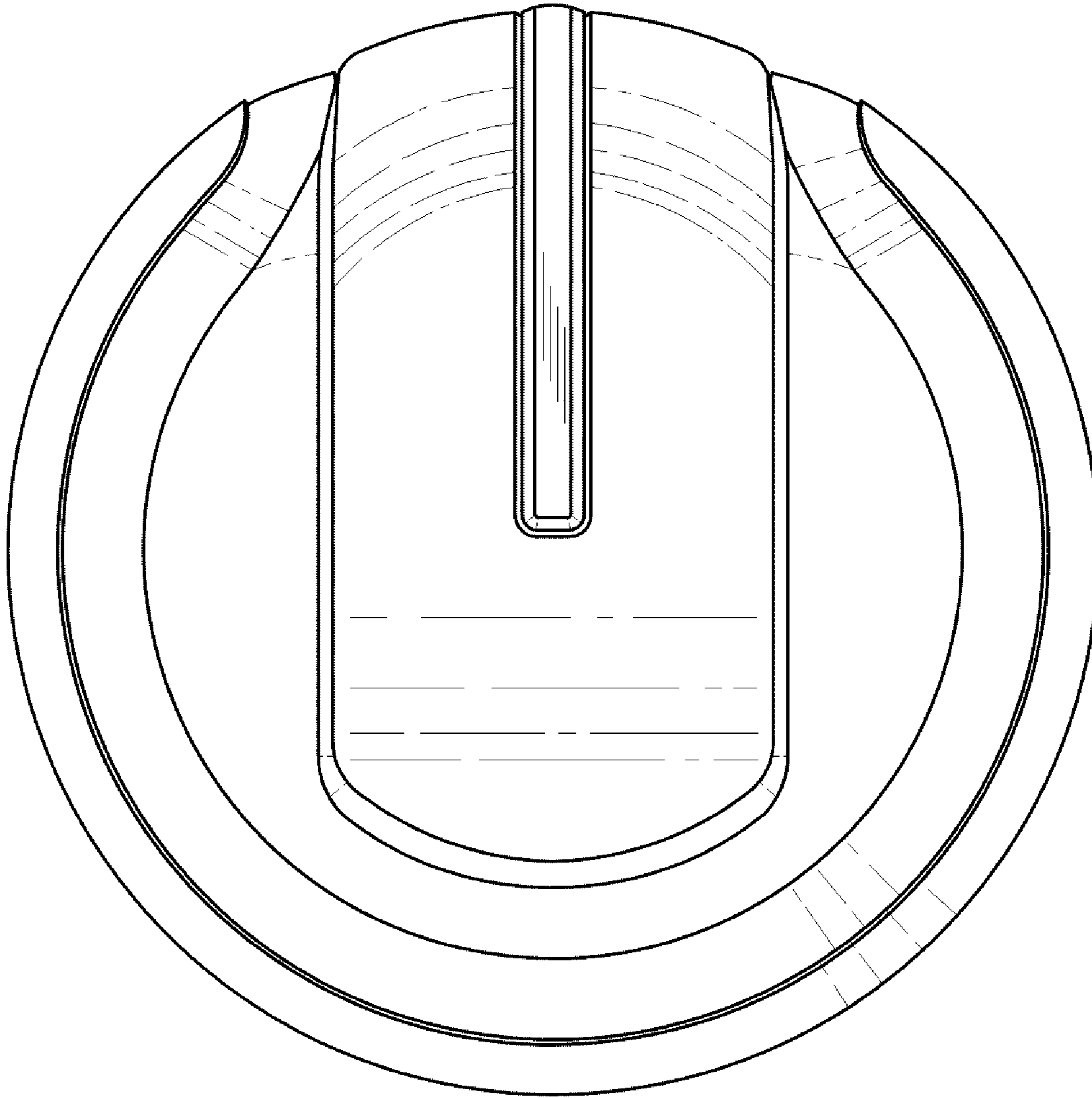


Fig. 2

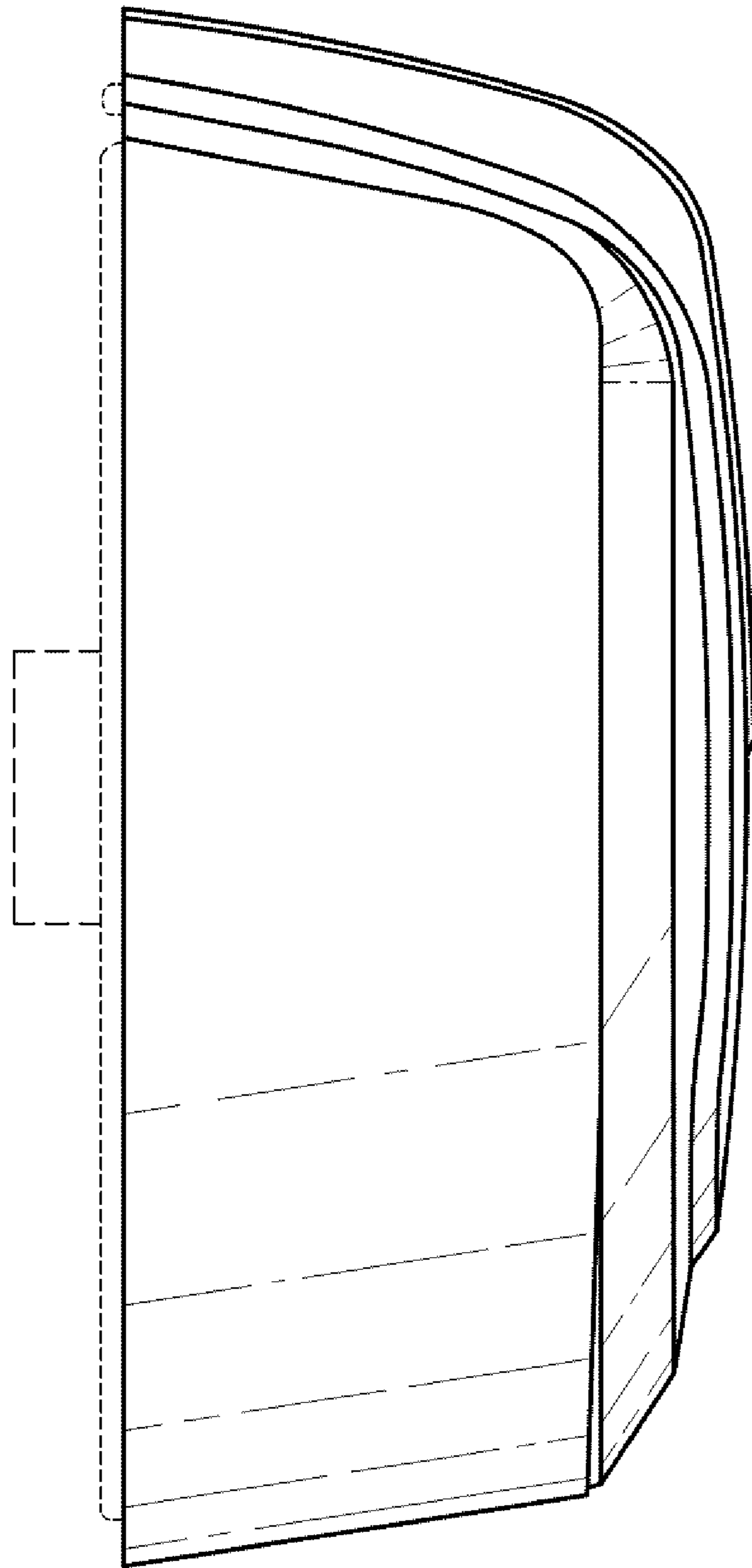


Fig. 3

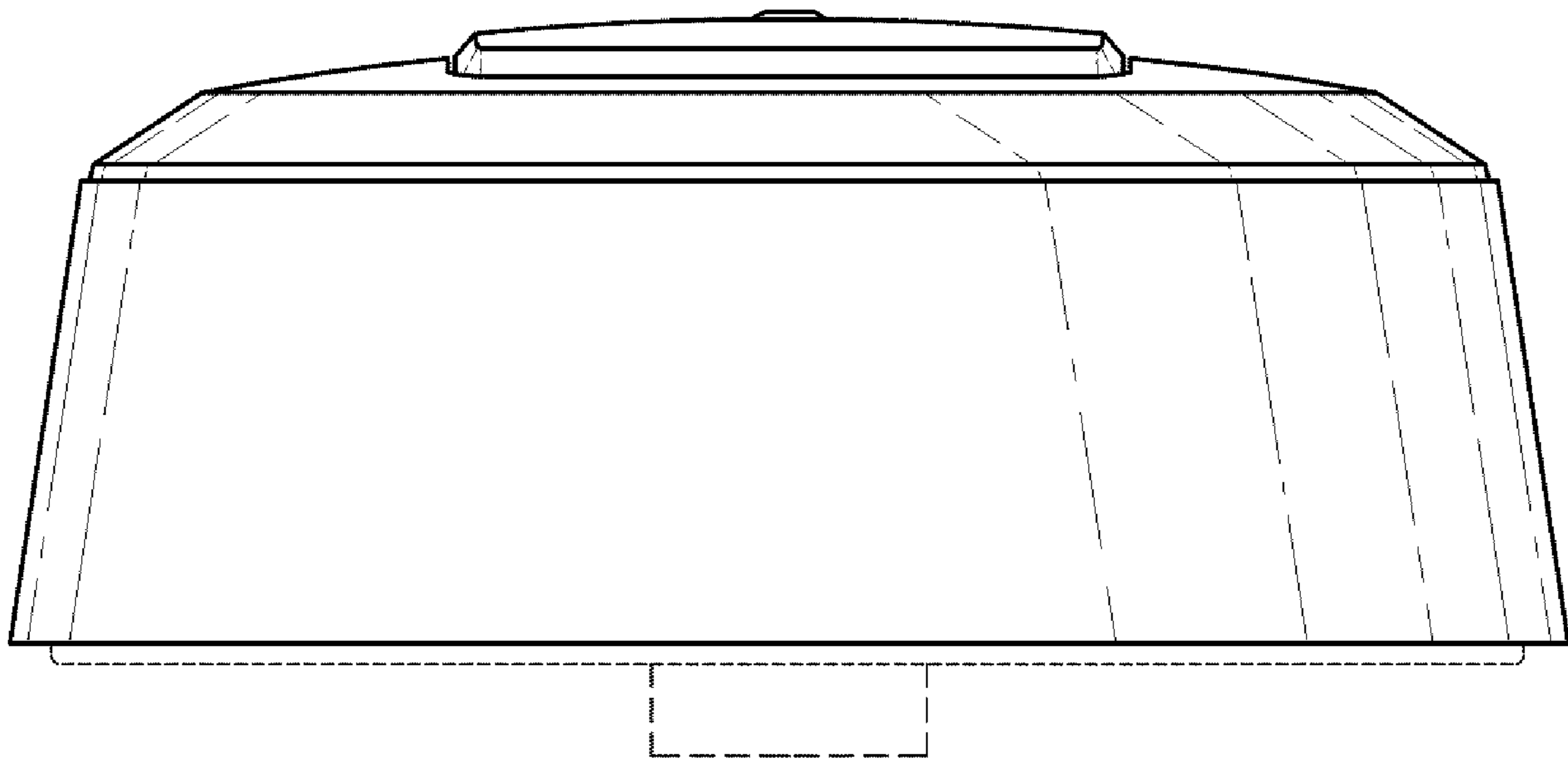


Fig. 4

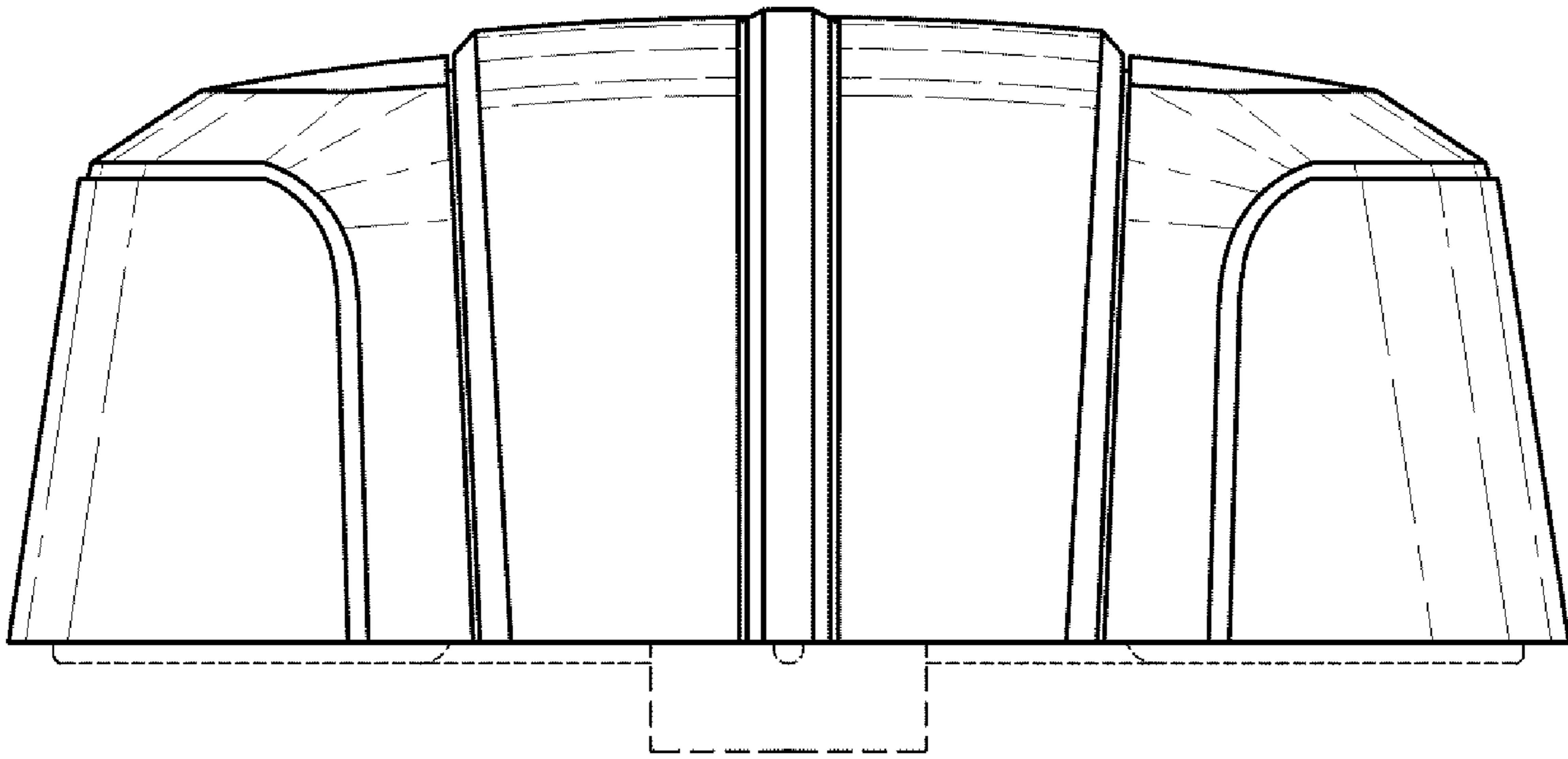


Fig. 5