



US00D619871S

(12) **United States Design Patent**
Behnke et al.

(10) **Patent No.:** **US D619,871 S**
(45) **Date of Patent:** **** Jul. 20, 2010**

(54) **VEHICLE DOOR HANDLE**

(75) Inventors: **Peter Behnke**, Bochum (DE); **Ralf Farrenkothen**, Solingen (DE)

(73) Assignee: **D. La Porte Söhne GmbH** (DE)

(**) Term: **14 Years**

(21) Appl. No.: **29/335,975**

(22) Filed: **Apr. 27, 2009**

(30) **Foreign Application Priority Data**

Oct. 28, 2008 (EP) 001029268

(51) **LOC (9) Cl.** **08-06**

(52) **U.S. Cl.** **D8/302**

(58) **Field of Classification Search** D8/300,
D8/301, 302, 308, 313, 315, 331, 333, 338,
D8/341; 16/110.1, 402, 412, 438, 444; 70/208,
70/210; 292/336.3, 353, DIG. 3, DIG. 12,
292/DIG. 23; D12/196

See application file for complete search history.

(56) **References Cited**

U.S. PATENT DOCUMENTS

6,059,329 A * 5/2000 Spitzley 292/336.3
6,363,577 B1 * 4/2002 Spitzley 292/336.3
6,401,302 B1 * 6/2002 Josserand et al. 16/444
6,543,090 B2 * 4/2003 Muneta 16/412

6,588,813 B1 * 7/2003 Marcarini et al. 292/347
D510,252 S * 10/2005 Larson D8/313
6,964,439 B2 * 11/2005 Nomura et al. 292/336.3
7,111,880 B2 * 9/2006 Saitoh 292/336.3
7,237,411 B2 * 7/2007 Pantke et al. 70/208
D564,855 S * 3/2008 Hidding et al. D8/302
7,431,357 B2 * 10/2008 Pudney 292/336.3
D588,436 S * 3/2009 Larson D8/302

* cited by examiner

Primary Examiner—Paula Greene

(74) *Attorney, Agent, or Firm*—Brinks Hofer Gilson & Lione

(57) **CLAIM**

The ornamental design for a vehicle door handle, as shown and described.

DESCRIPTION

FIG. 1 is a front perspective view of the vehicle door handle;

FIG. 2 is a front view thereof;

FIG. 3 is a rear view thereof;

FIG. 4 is a top view thereof;

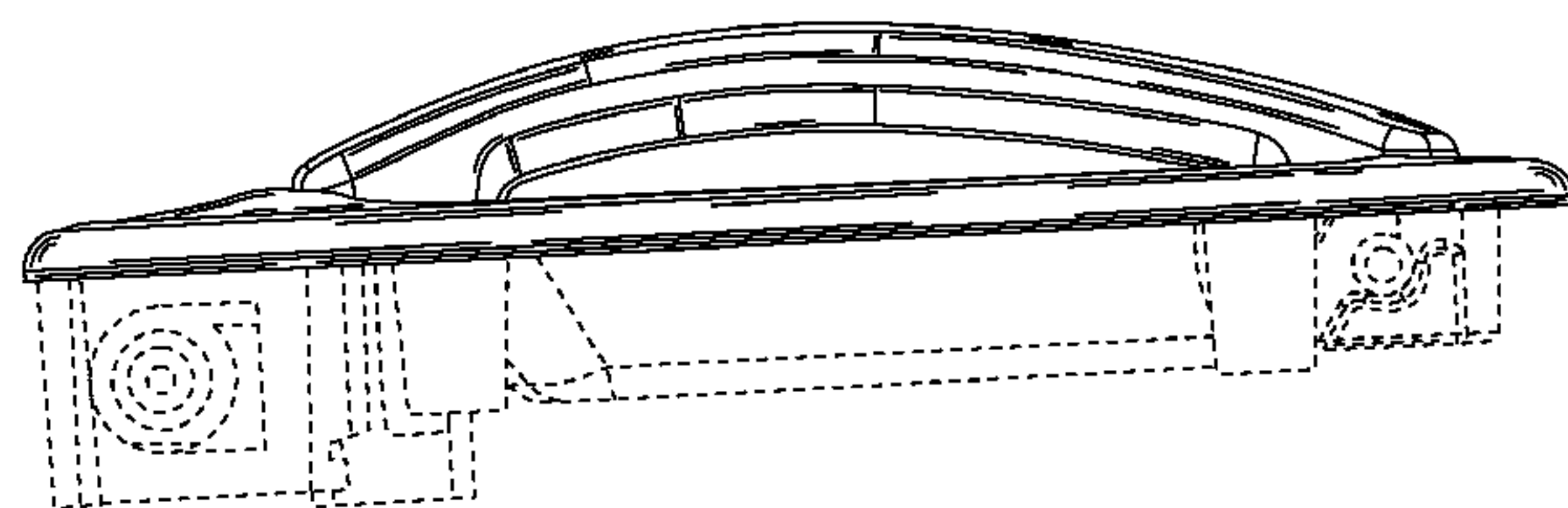
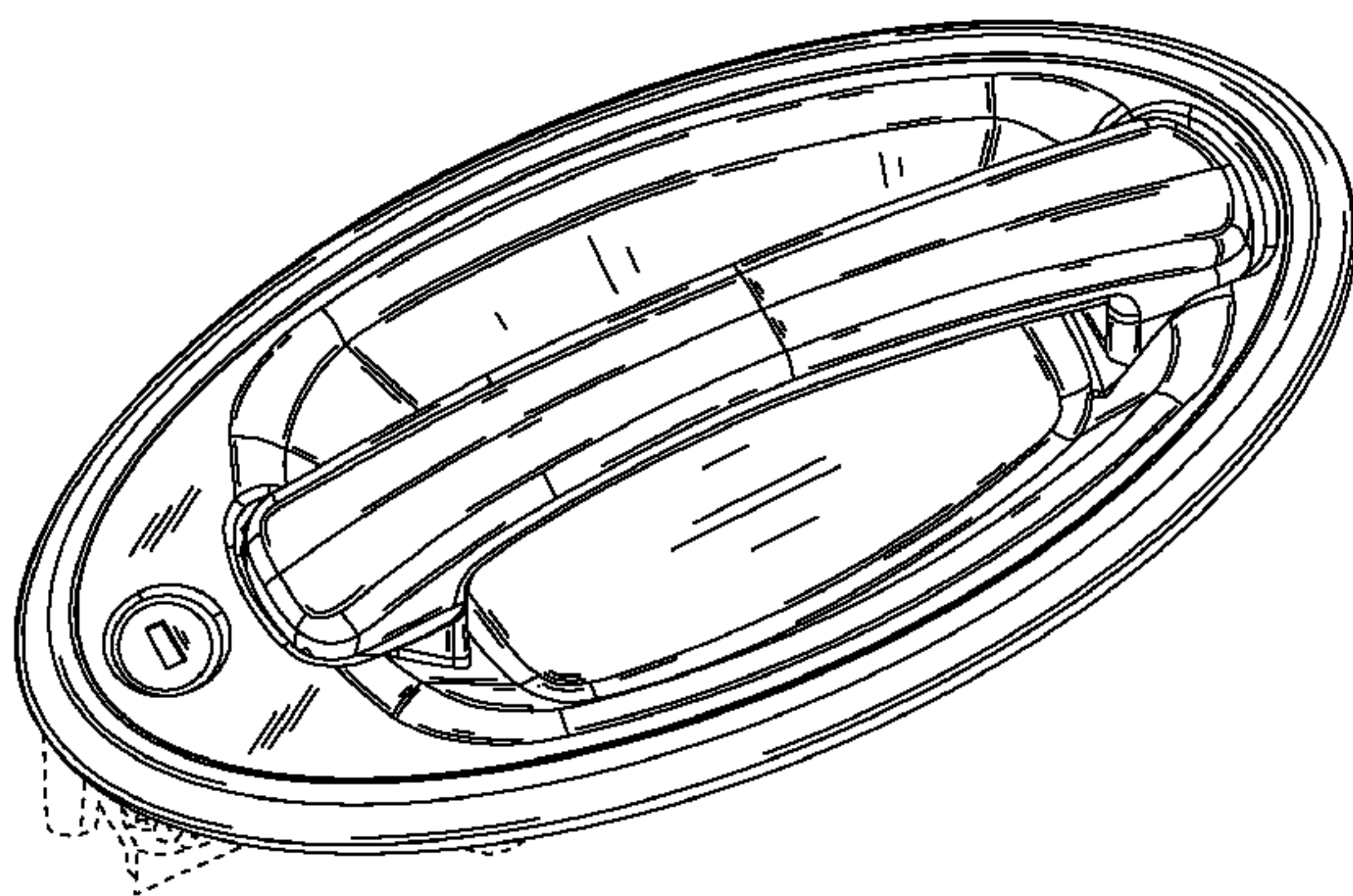
FIG. 5 is a rear perspective view thereof;

FIG. 6 is a right side view thereof; and,

FIG. 7 is a left side view thereof.

The broken lines form no part of the claimed design.

1 Claim, 7 Drawing Sheets



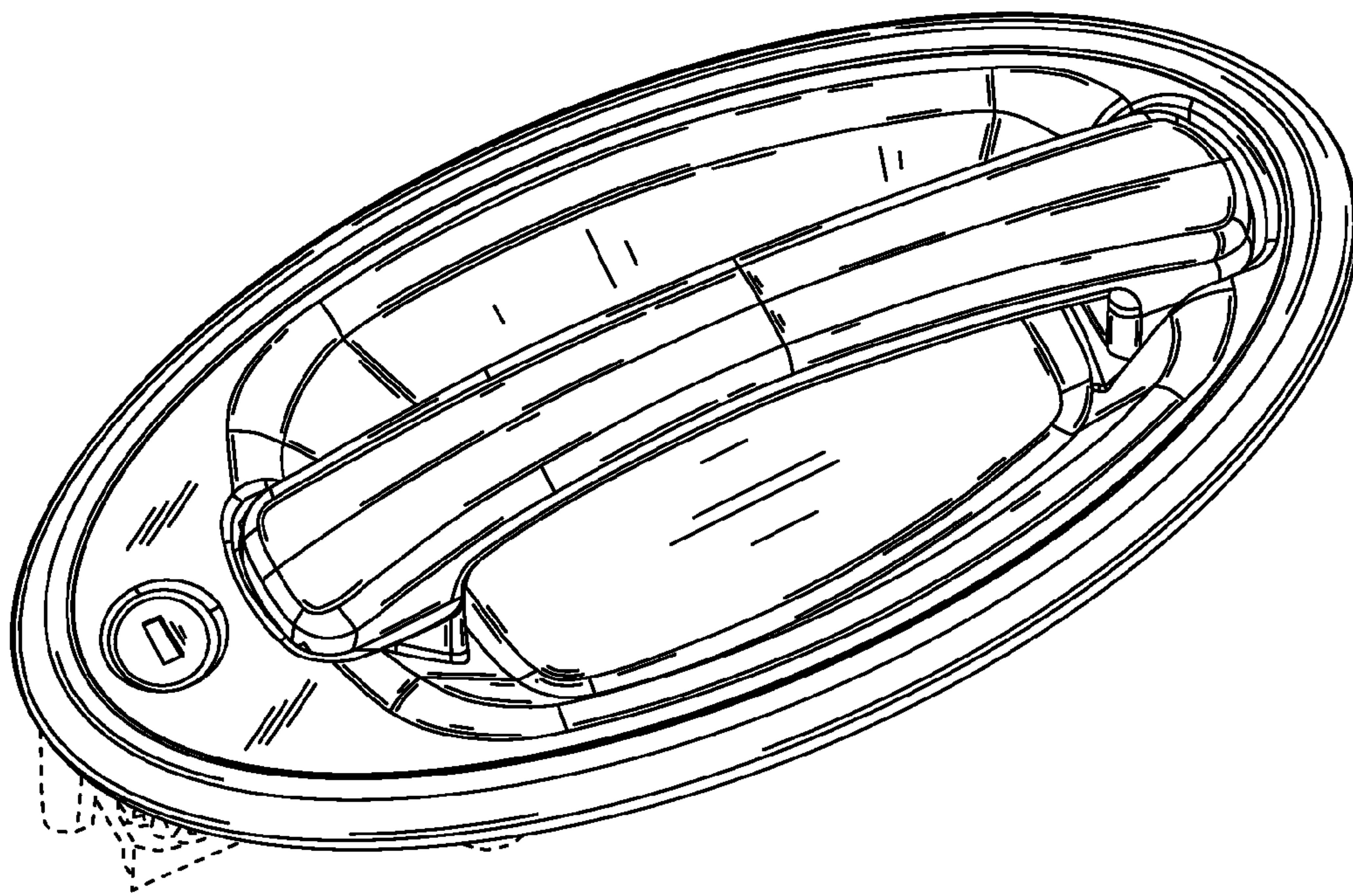


FIG. 1

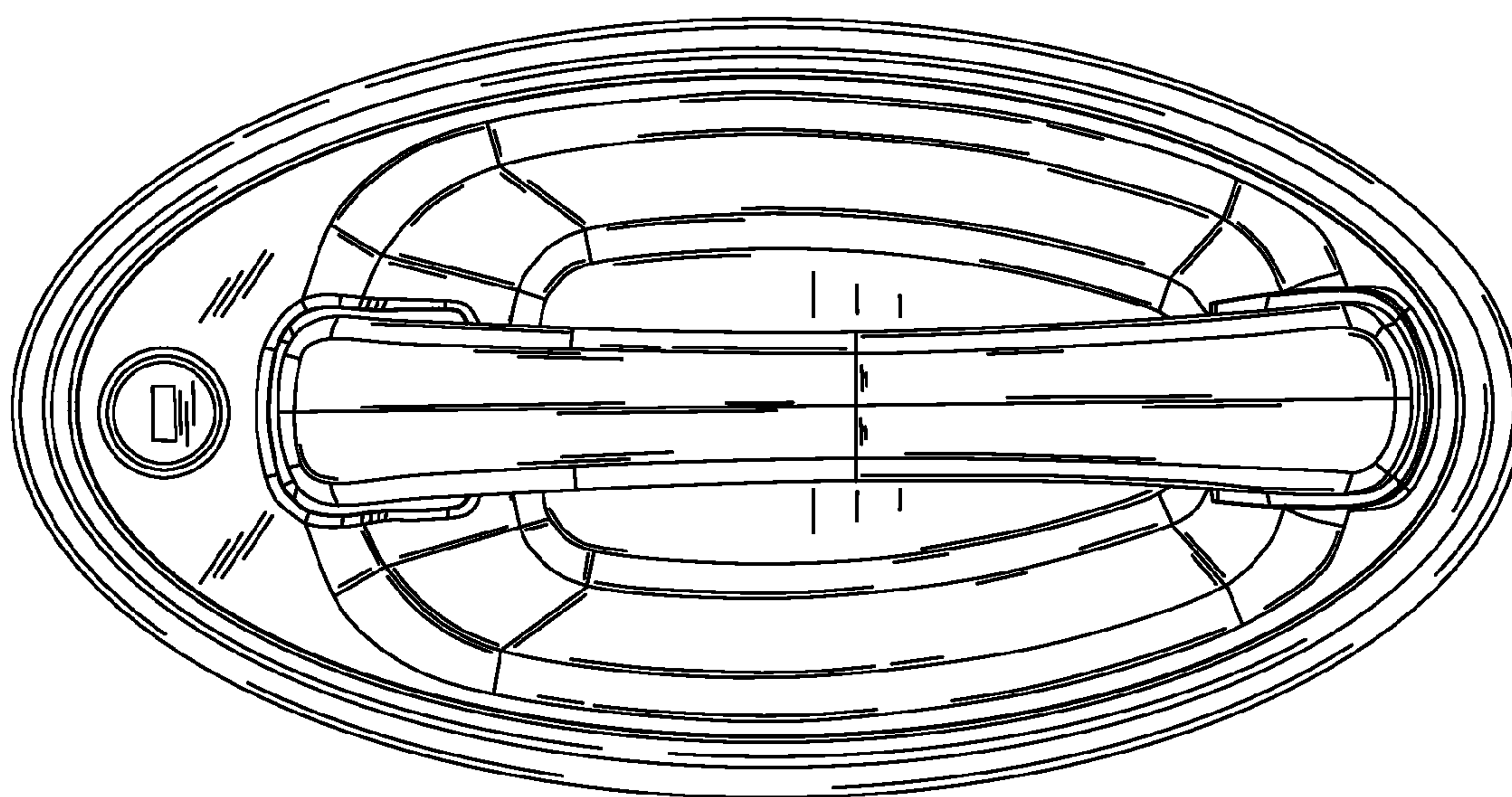


FIG. 2

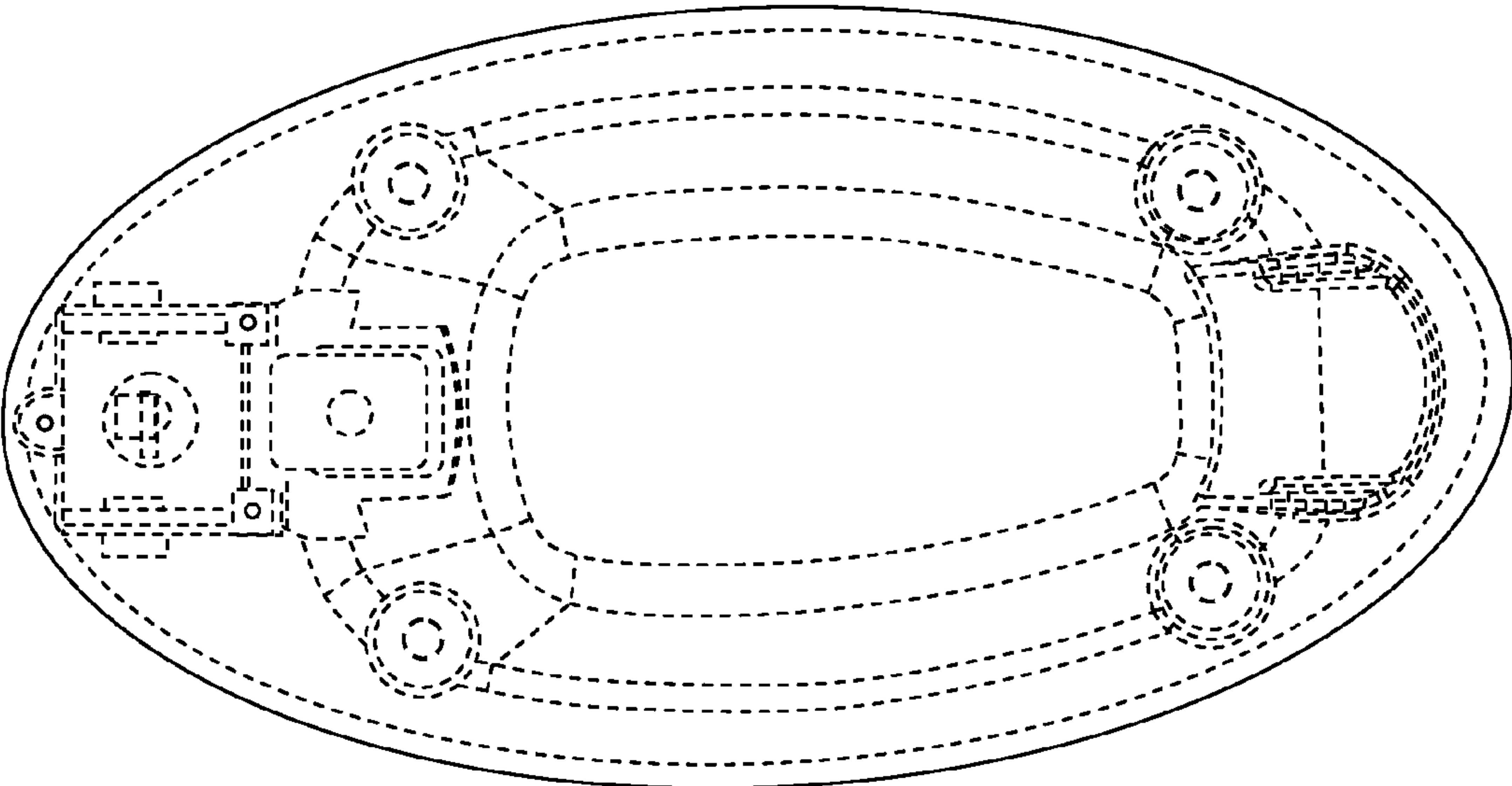


FIG. 3

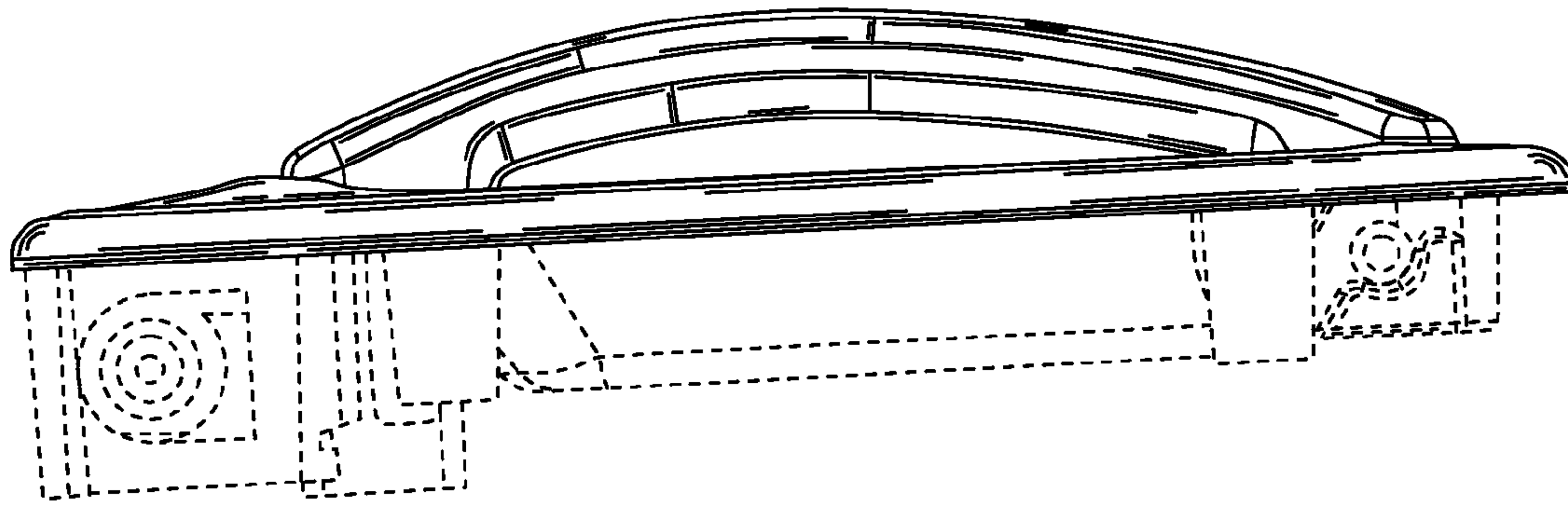


FIG. 4

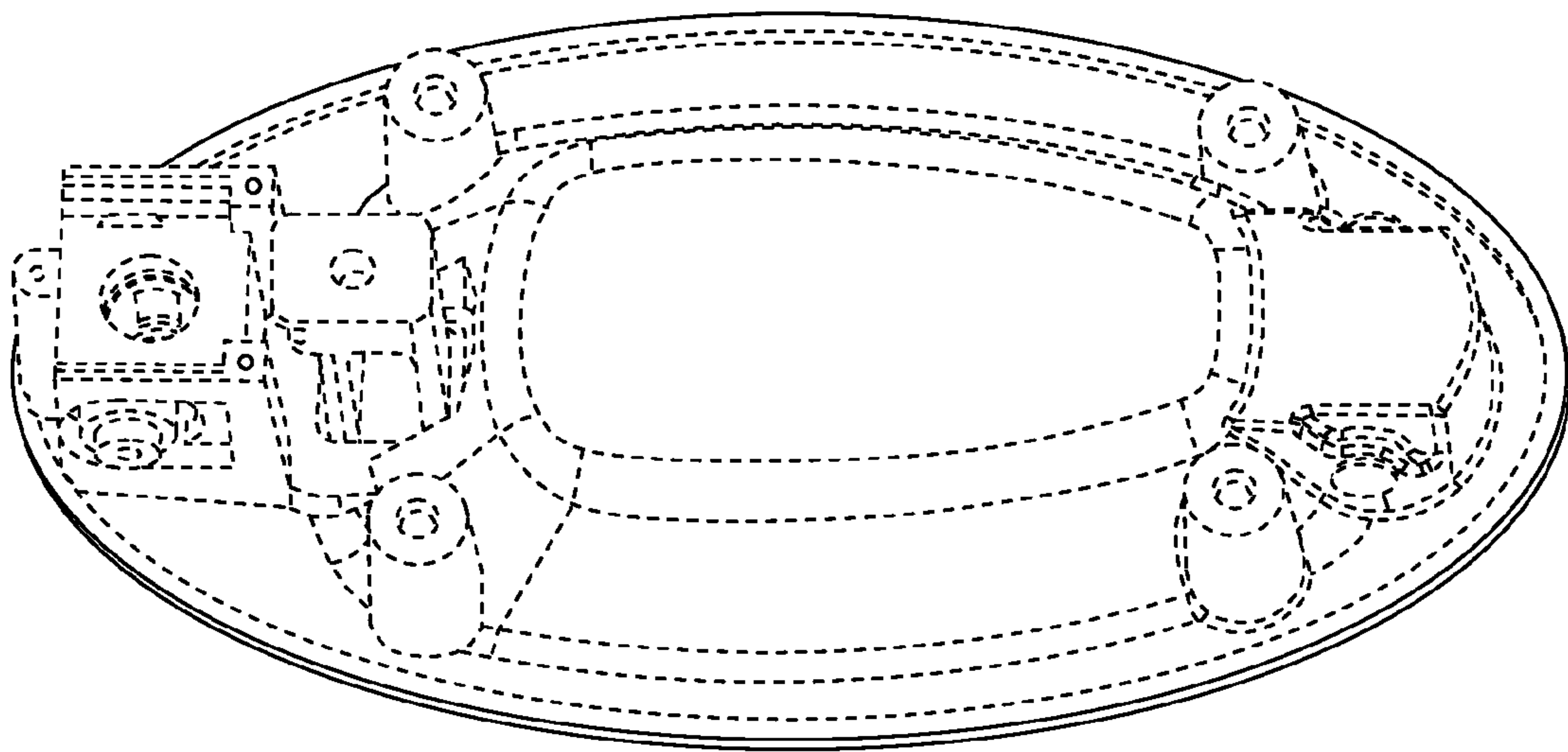


FIG. 5

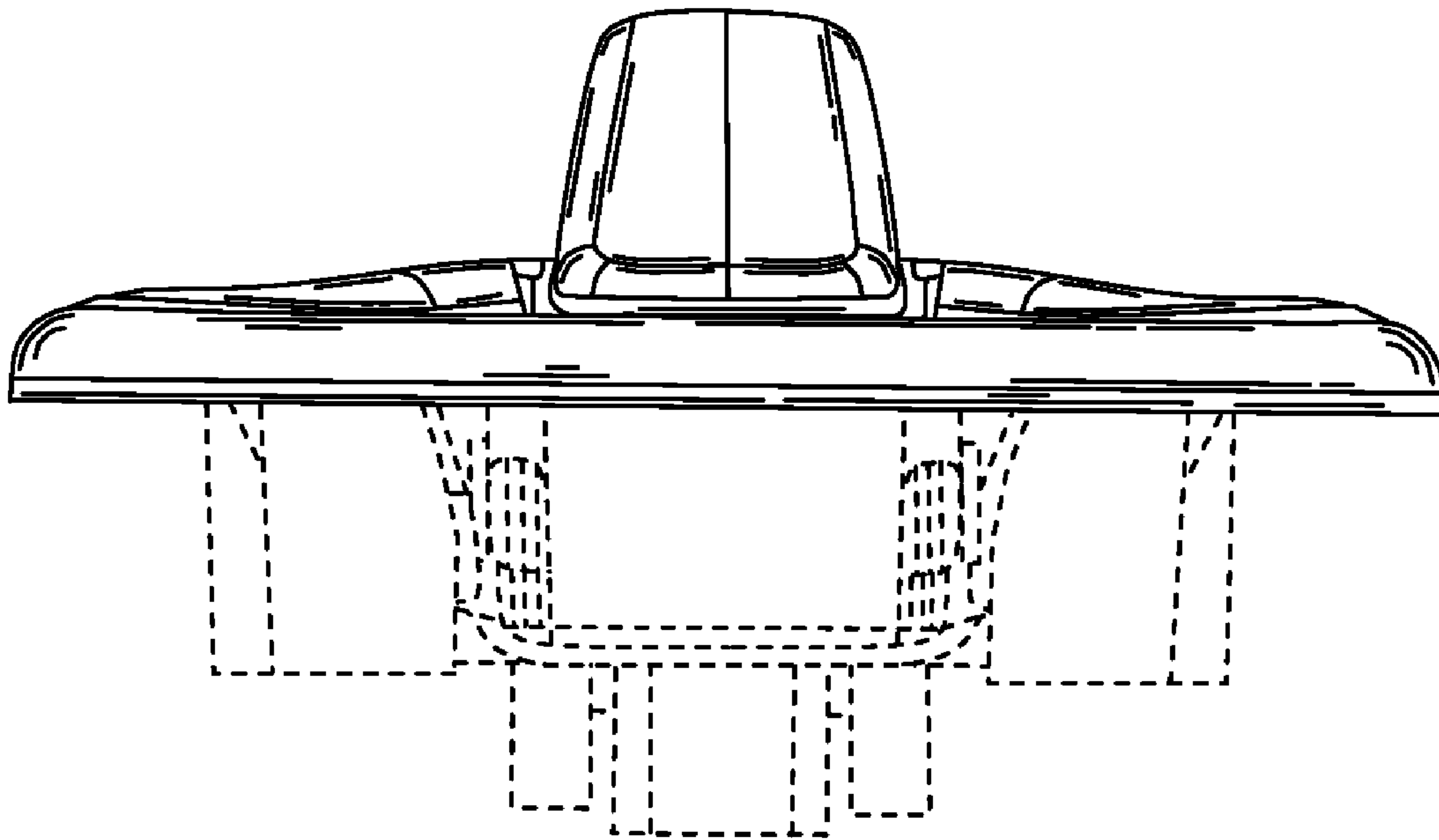


FIG. 6

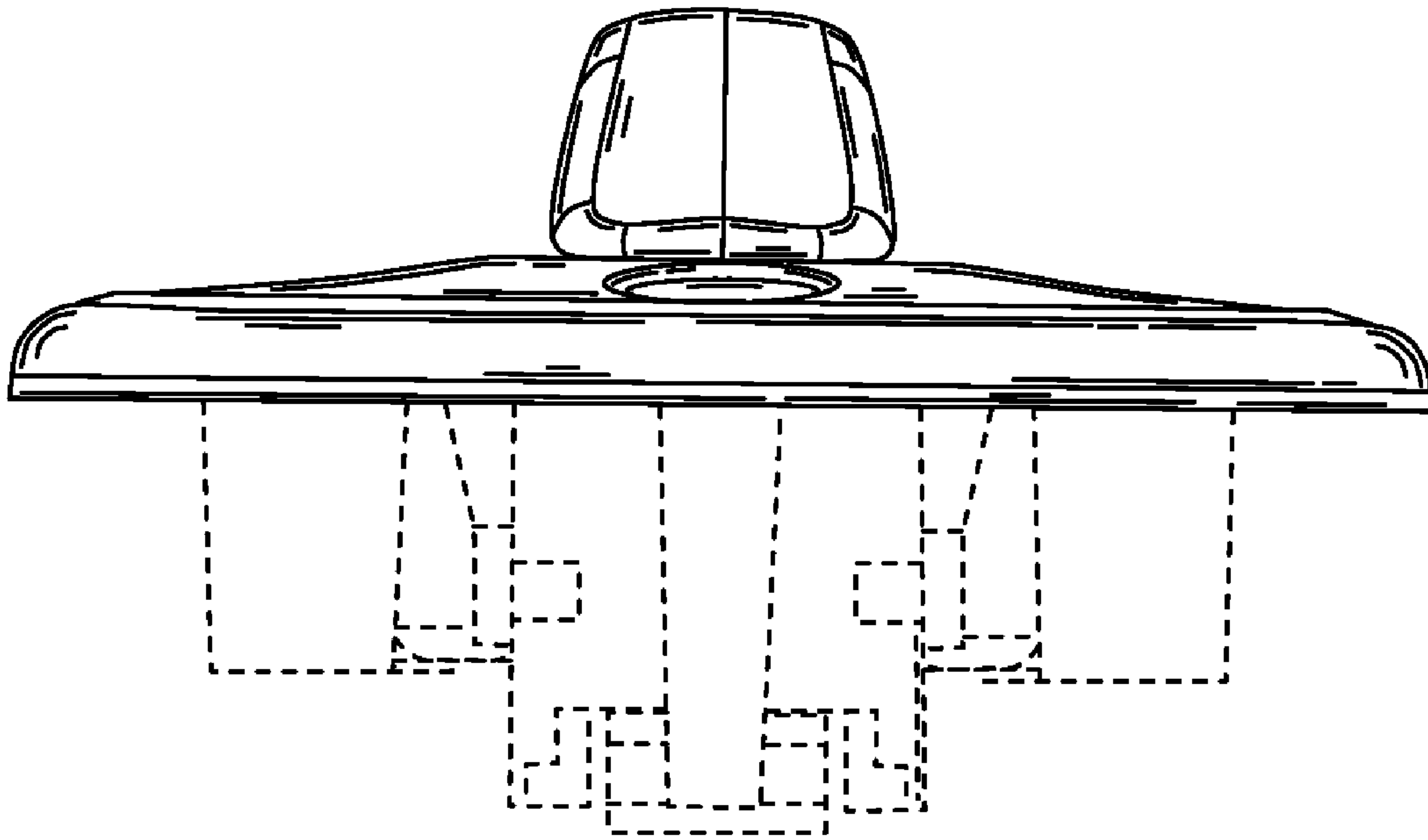


FIG. 7