



US00D619866S

(12) **United States Design Patent**
Deguglimo et al.

(10) **Patent No.:** **US D619,866 S**
(45) **Date of Patent:** **** Jul. 20, 2010**

(54) **STUBBY RATCHET HANDLE**

(75) Inventors: **Joseph Deguglimo**, Boca Raton, FL
(US); **Glenn Robinson**, Coral Springs,
FL (US); **Michael Garcia**, Coral
Springs, FL (US)

(73) Assignee: **IBT Holdings, Inc**, Deerfield Beach, FL
(US)

(**) Term: **14 Years**

(21) Appl. No.: **29/349,260**

(22) Filed: **Mar. 22, 2010**

(51) **LOC (9) Cl.** **08-05**

(52) **U.S. Cl.** **D8/25**

(58) **Field of Classification Search** D8/17,
D8/21-29, 97, 107; 81/60, 177.1, 177.85,
81/121.1, 124.3, 165-170, 110.1, 176.2,
81/124.6, 176.1, 176.15, 177.2, 186; 16/110.1;
D15/144.1; 219/75, 227, 229, 121.16, 121.18
See application file for complete search history.

(56) **References Cited**

U.S. PATENT DOCUMENTS

D447,040	S	*	8/2001	Douglas et al.	D8/22
D454,046	S	*	3/2002	Hsieh	D8/107
6,401,576	B1	*	6/2002	Wu	81/177.4
6,418,820	B1	*	7/2002	Lamond et al.	81/177.1
D468,617	S	*	1/2003	Wang	D8/107
D534,781	S	*	1/2007	Chen	D8/107
D542,619	S	*	5/2007	Hung	D8/107

D542,620	S	*	5/2007	Thompson et al.	D8/107
D567,019	S	*	4/2008	Gonzalez	D7/395
D572,548	S	*	7/2008	Chen	D8/25
D613,005	S	*	3/2010	Lin	D30/159
2004/0163501	A1	*	8/2004	Chen	81/177.1

* cited by examiner

Primary Examiner—Raphael Barkai

Assistant Examiner—Randall H Gholson

(74) *Attorney, Agent, or Firm*—Dan DeLa Rosa

(57) **CLAIM**

The ornamental design for a stubby ratchet handle, as shown and described.

DESCRIPTION

FIG. 1 is a front perspective view of the stubby ratchet handle of the present invention showing my new design;

FIG. 2 is a front side elevational view thereof;

FIG. 3 is a back side elevational view thereof;

FIG. 4 is a side elevational view thereof;

FIG. 5 is another side elevational view thereof;

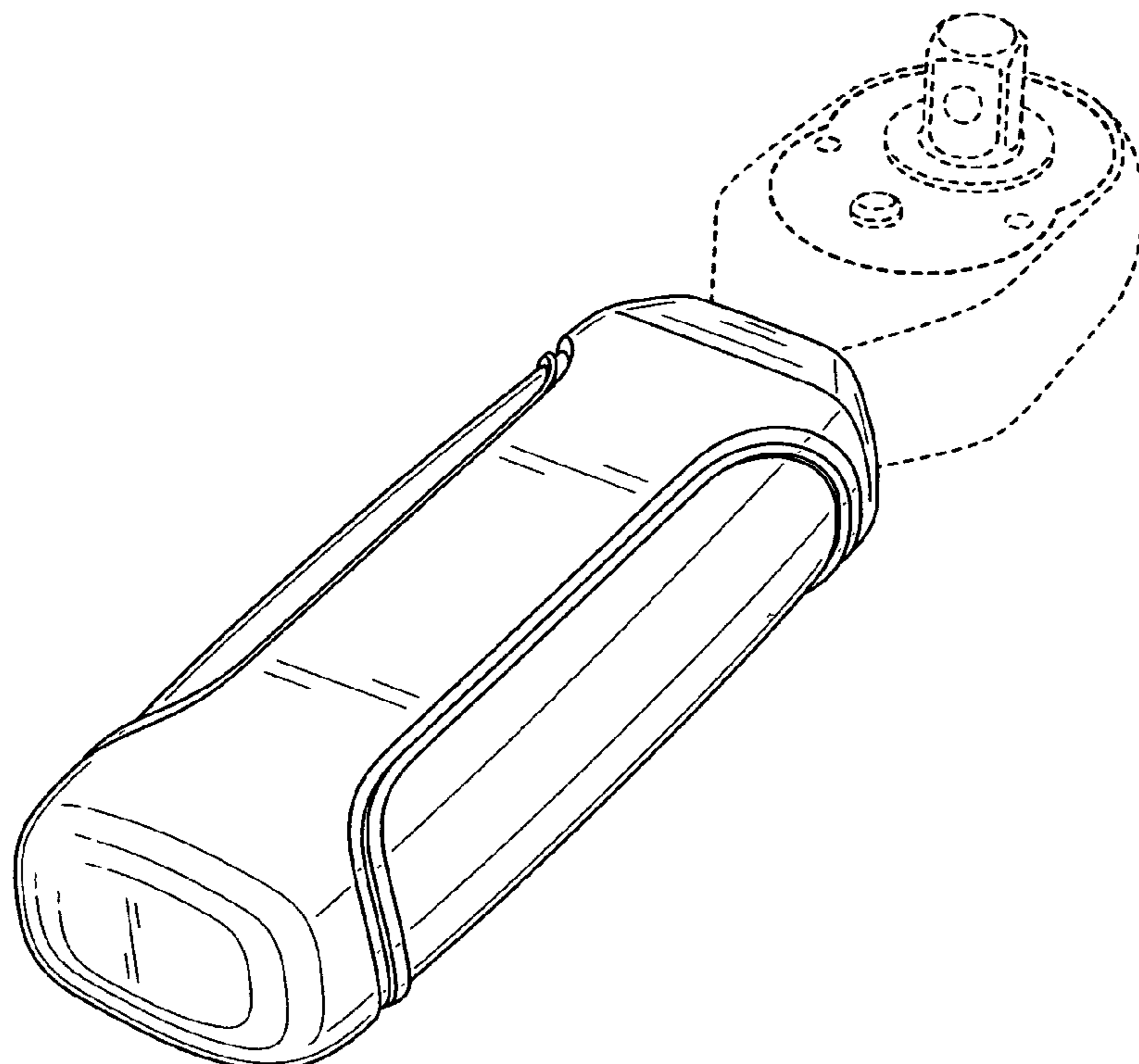
FIG. 6 is a top plan view thereof;

FIG. 7 is a bottom plan view thereof; and,

FIG. 8 is a front perspective view of the stubby ratchet handle of the present invention.

The broken lines shown on the drawings illustrate environmental structure only and form no part of the claimed design.

1 Claim, 5 Drawing Sheets



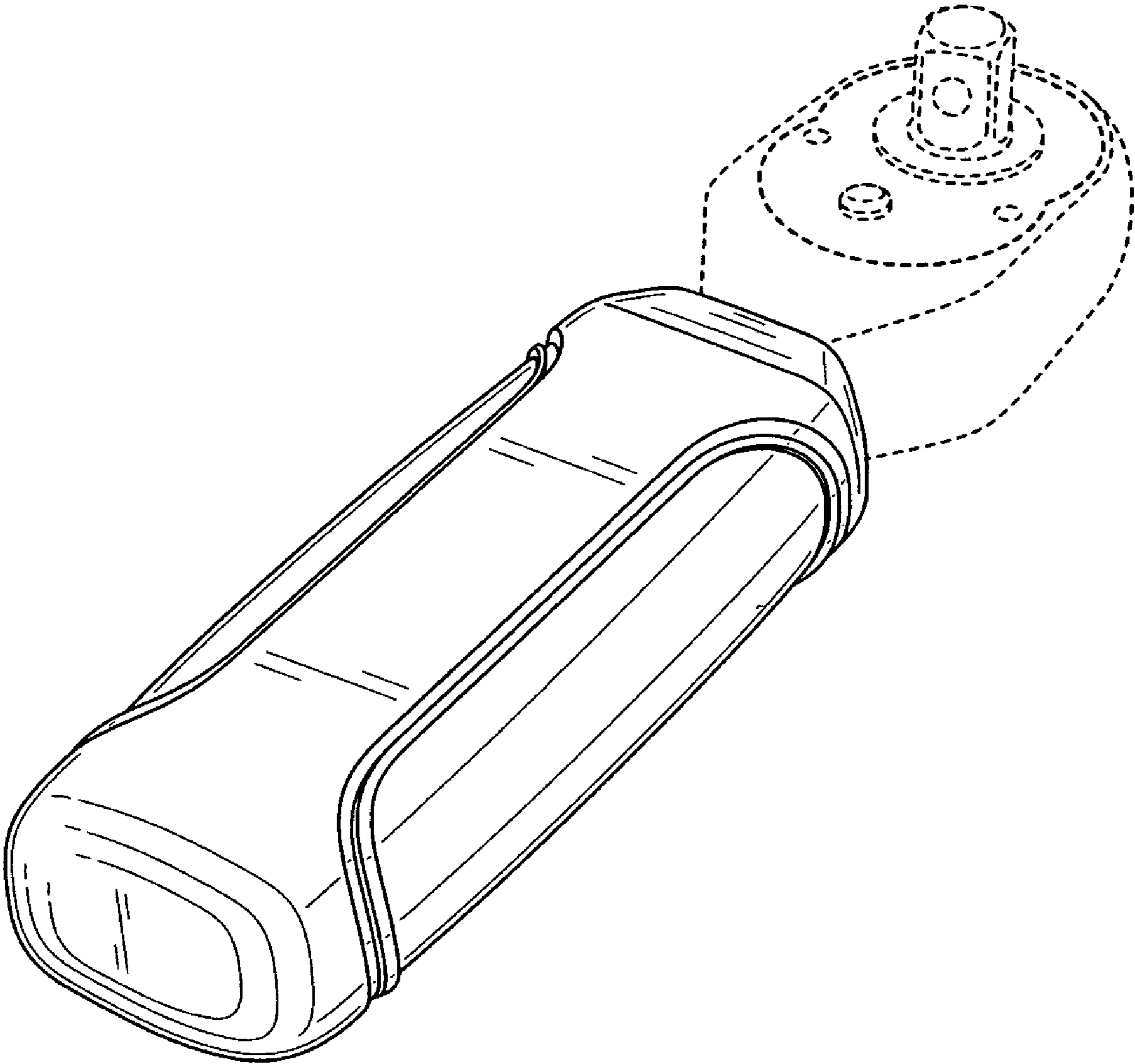


FIG. 1

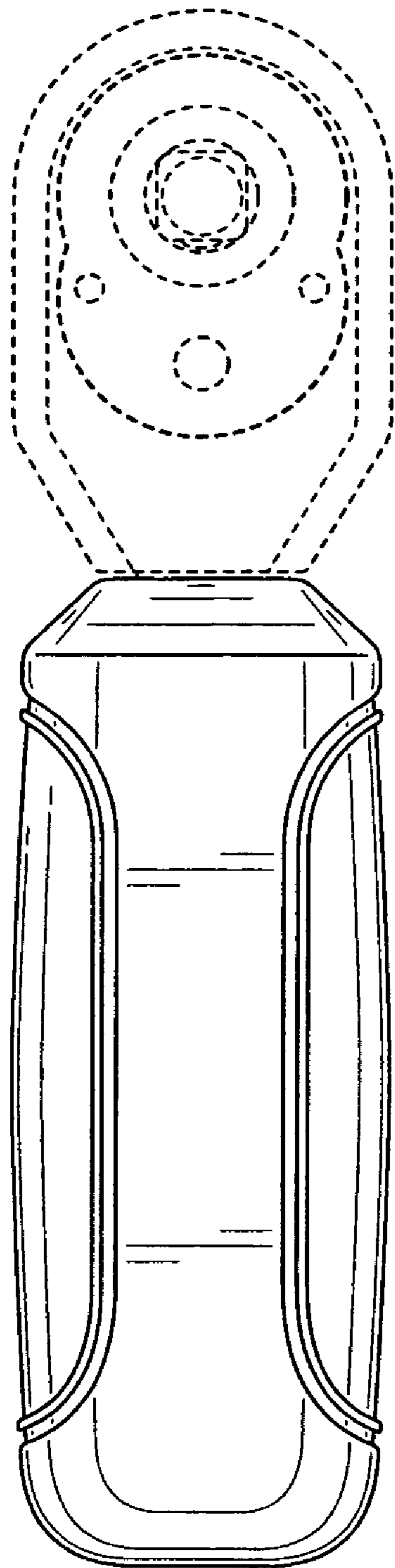


FIG. 2

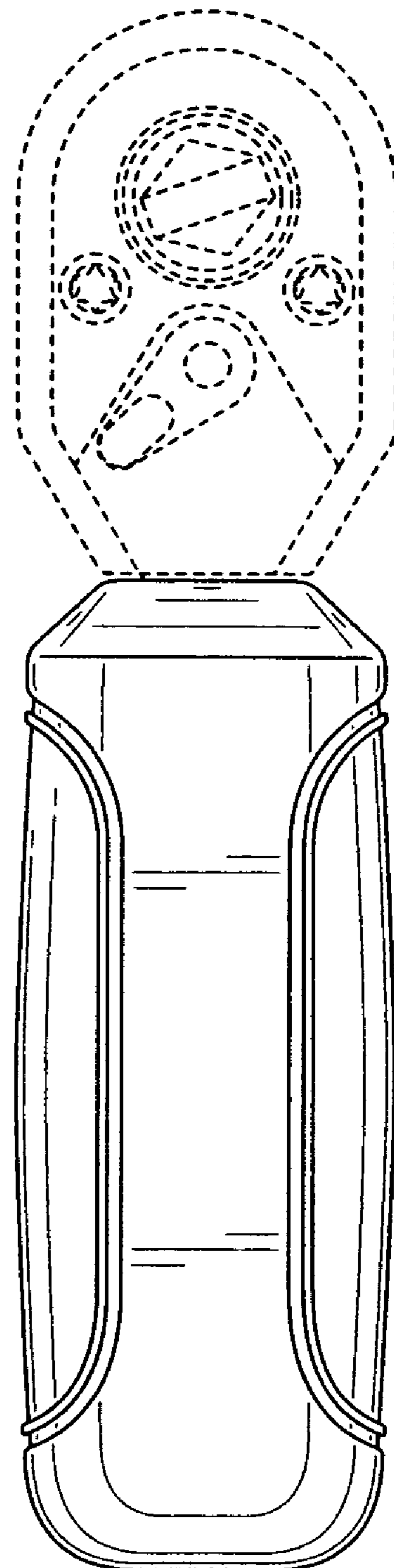


FIG. 3

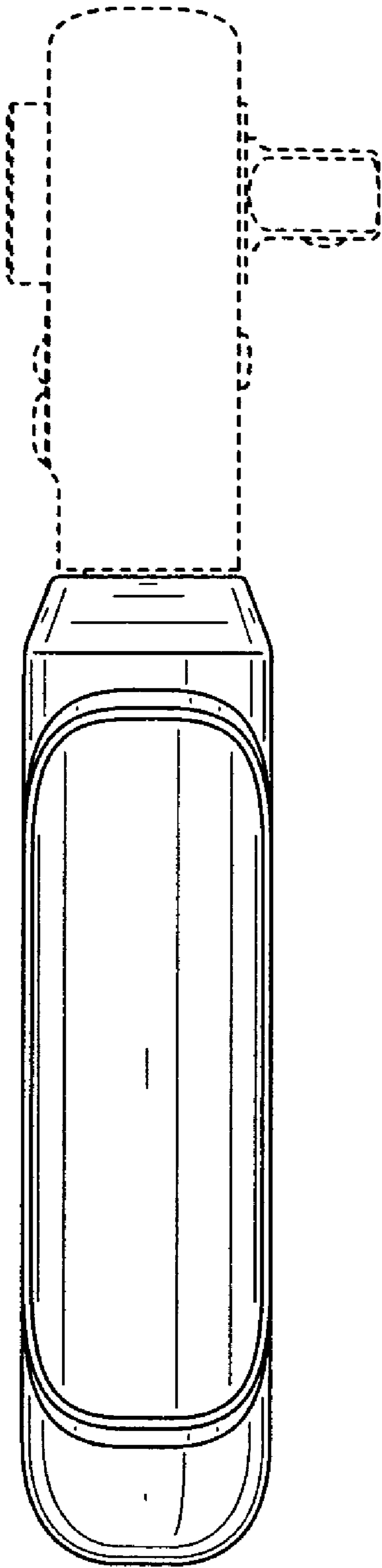


FIG. 4

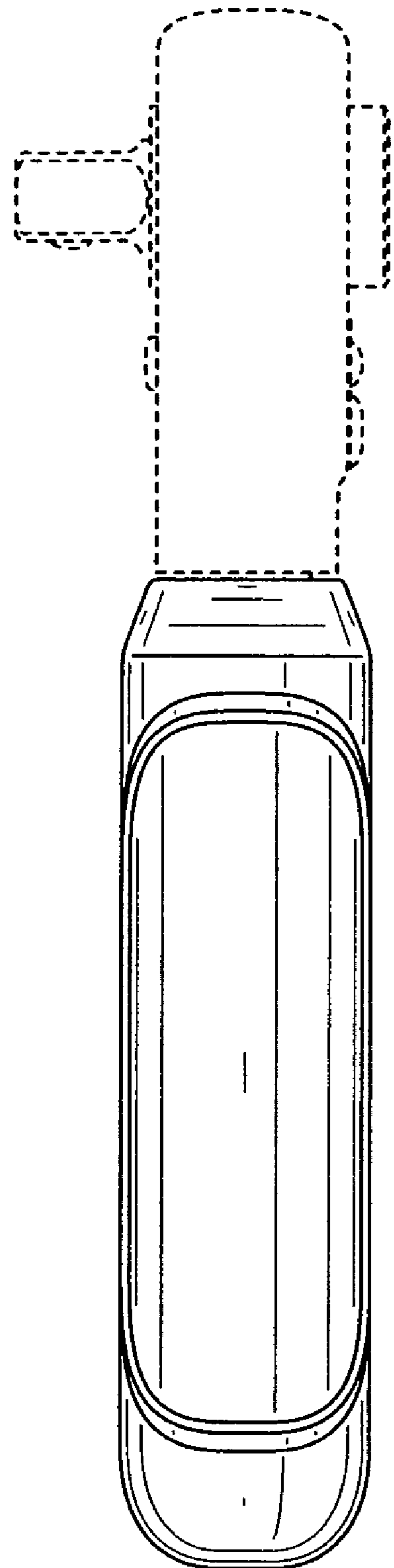


FIG. 5

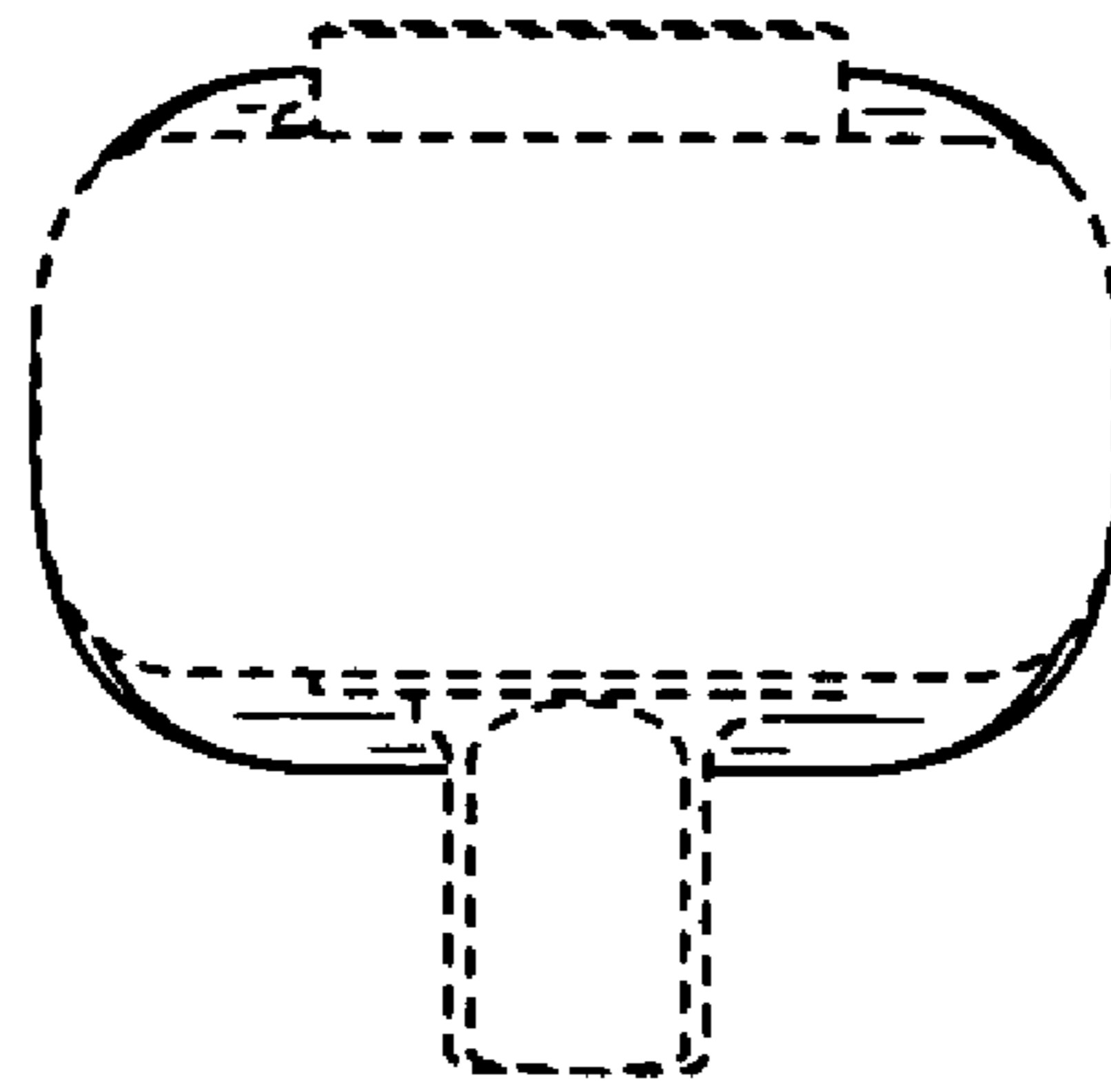


FIG. 6

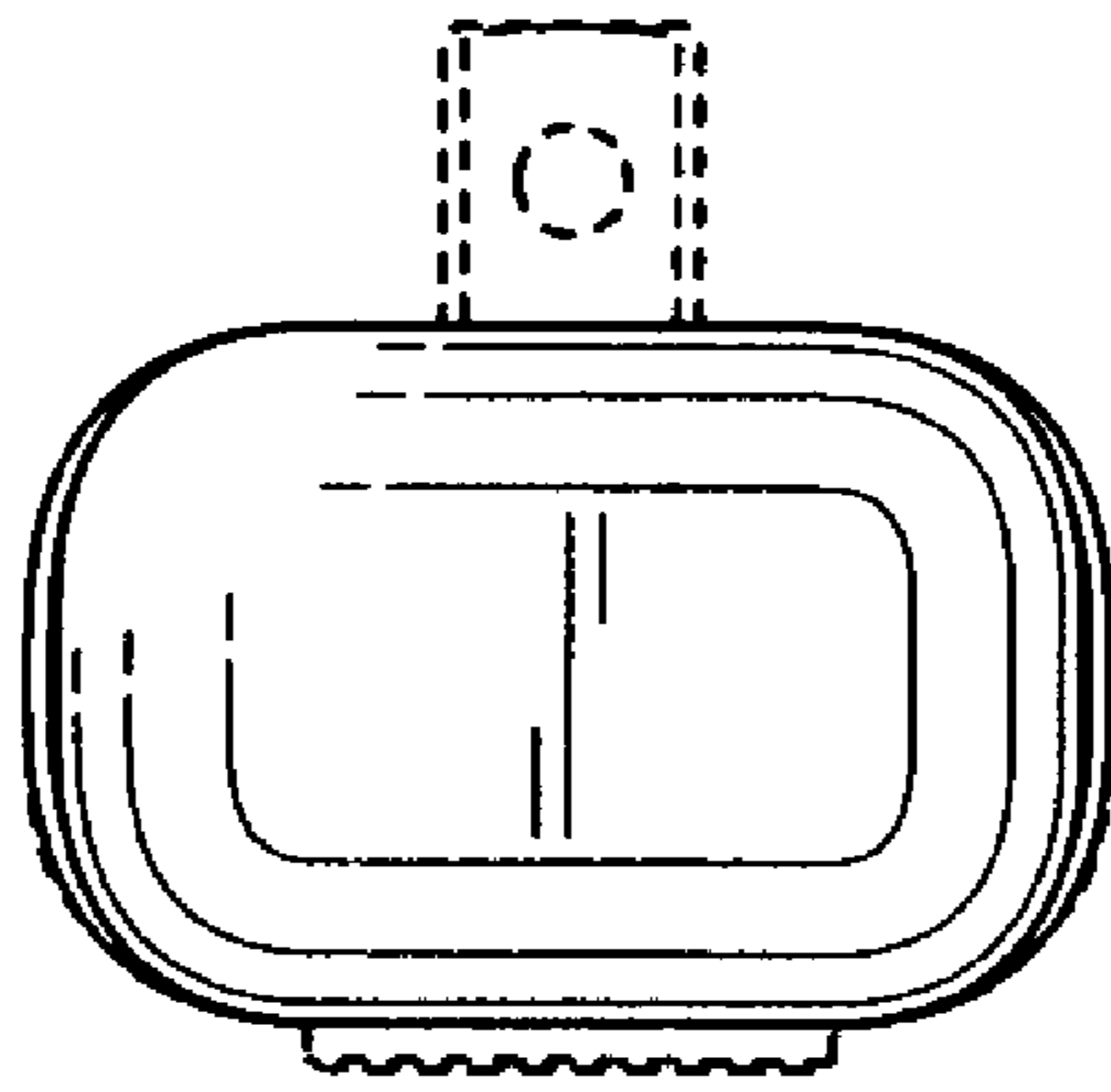


FIG. 7

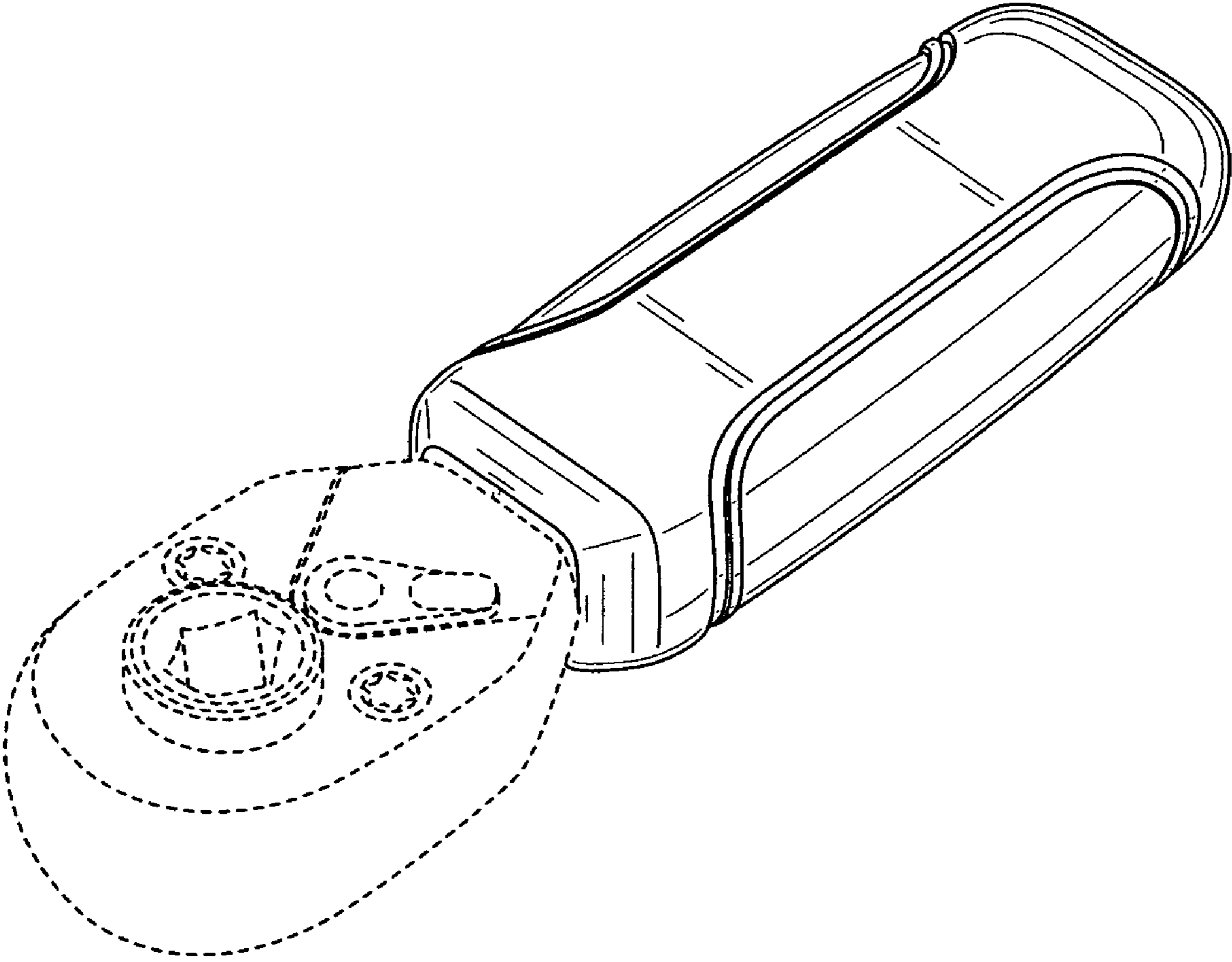


FIG. 8