



US00D619865S

(12) **United States Design Patent**  
**Boehler**

(10) **Patent No.:** **US D619,865 S**

(45) **Date of Patent:** **\*\* Jul. 20, 2010**

(54) **UTILITY BLADE**

(76) **Inventor:** **Alfred Boehler**, 42 Harding Ave.,  
Roslyn Heights, NY (US) 11577

(\*\*) **Term:** **14 Years**

(21) **Appl. No.:** **29/315,809**

(22) **Filed:** **Jul. 24, 2009**

**Related U.S. Application Data**

(63) Continuation-in-part of application No. 11/891,205,  
filed on Aug. 9, 2007, now abandoned, which is a  
continuation-in-part of application No. 10/869,538,  
filed on Jun. 15, 2004, now abandoned.

(51) **LOC (9) Cl.** ..... **08-03**

(52) **U.S. Cl.** ..... **D8/20**

(58) **Field of Classification Search** ..... D8/16,  
D8/19, 20, 64, 66, 70, 90-99; D15/127,  
D15/133, 138, 139; D22/117, 118; D24/146,  
D24/147; 7/118, 148; 30/142, 144, 165,  
30/166.3, 272.1, 314, 320, 346, 346.5, 346.55,  
30/346.56, 346.6, 349, 351, 355, 357  
See application file for complete search history.

(56) **References Cited**

**U.S. PATENT DOCUMENTS**

D137,168 S \* 2/1944 Jacobson ..... D8/93  
D139,299 S \* 10/1944 Walters ..... D8/20  
4,757,612 A \* 7/1988 Peyrot ..... 30/151

D400,412 S \* 11/1998 Gold ..... D8/20  
D455,057 S \* 4/2002 Medhurst ..... D8/20  
6,823,593 B2 \* 11/2004 Dunn-Rankin ..... 30/346.56  
D562,651 S \* 2/2008 Harkey ..... D8/20  
D582,229 S \* 12/2008 Johnson ..... D8/20  
2004/0158995 A1 \* 8/2004 Dunn-Rankin ..... 30/355  
2004/0187314 A1 \* 9/2004 Johnson ..... 30/355  
2006/0053631 A1 \* 3/2006 Fossella ..... 30/165

\* cited by examiner

*Primary Examiner*—Caron Veynar

*Assistant Examiner*—Garth Rademaker

(74) *Attorney, Agent, or Firm*—Emery L. Tracy

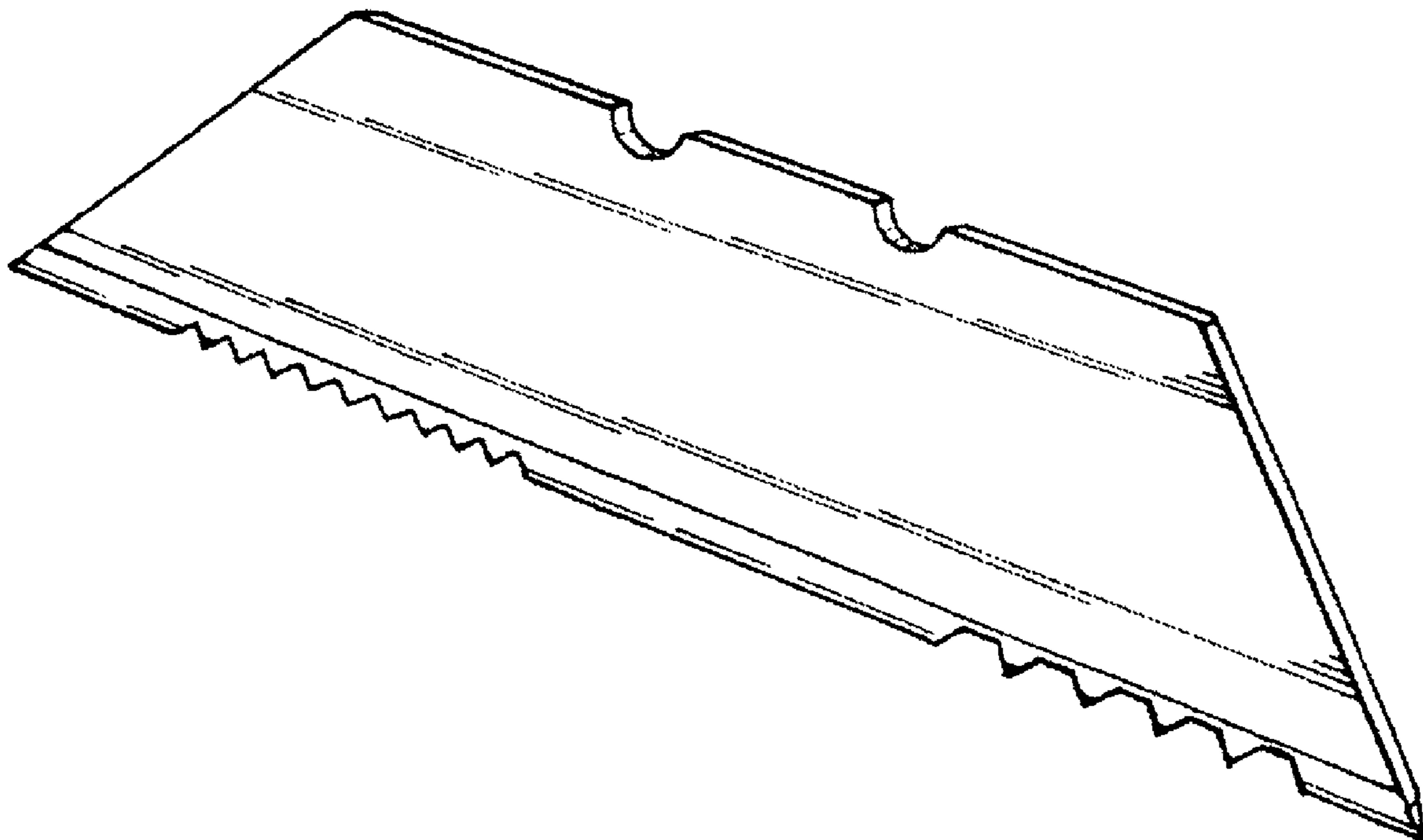
(57) **CLAIM**

The ornamental design for a utility blade, as shown and  
described.

**DESCRIPTION**

FIG. 1 is a front view illustrating a utility blade;  
FIG. 2 is rear view illustrating the utility blade of FIG. 1;  
FIG. 3 is a top view illustrating the utility blade of FIG. 1;  
FIG. 4 is a bottom view illustrating the utility blade of FIG. 1;  
FIG. 5 is a first side view illustrating the utility blade of FIG.  
1;  
FIG. 6 is a second side view illustrating the utility blade of  
FIG. 1; and,  
FIG. 7 is a perspective view illustrating the utility blade of  
FIG. 1.

**1 Claim, 1 Drawing Sheet**



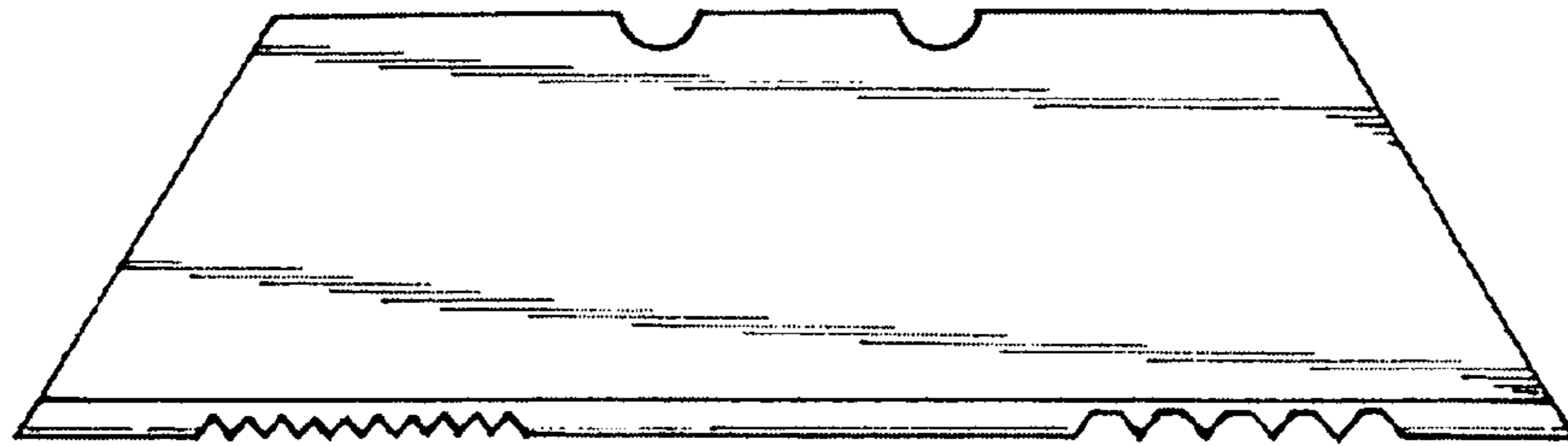


FIG. 1

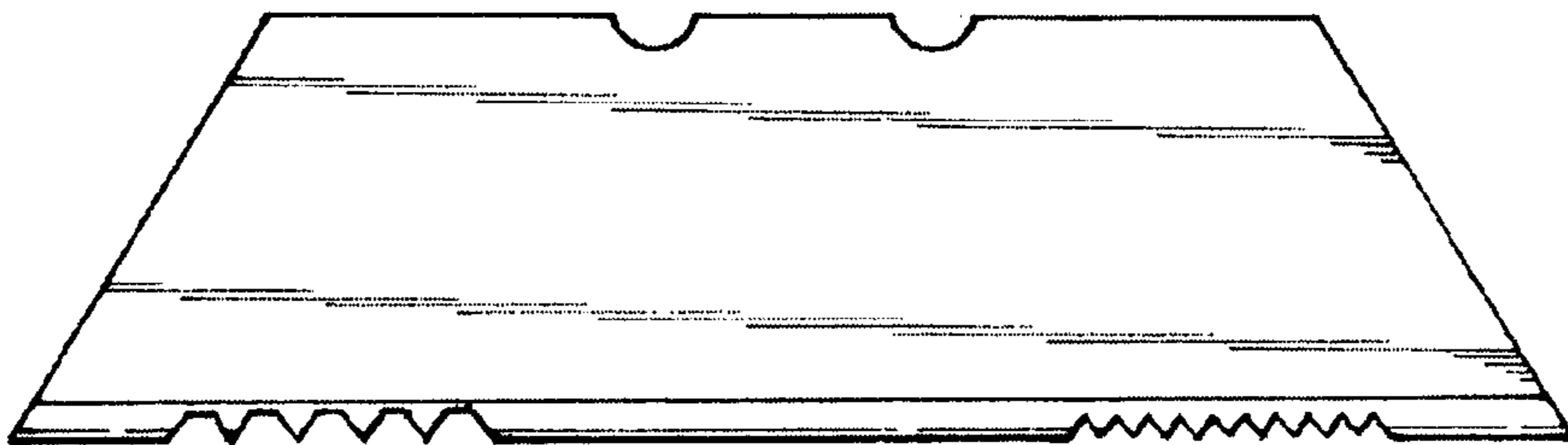


FIG. 2

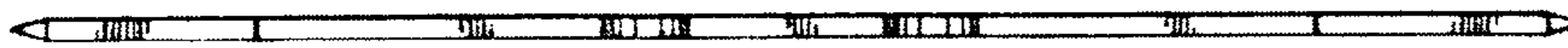


FIG. 3

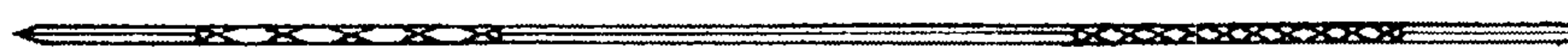


FIG. 4

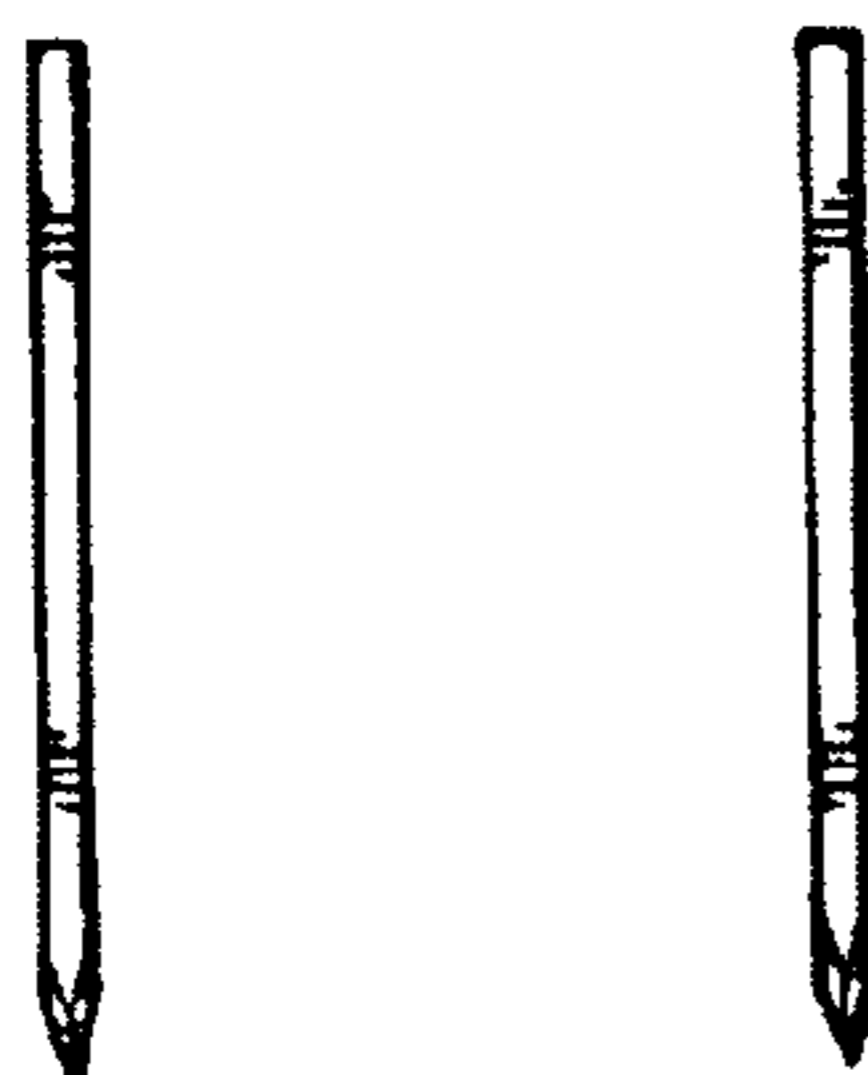


FIG. 5 FIG. 6

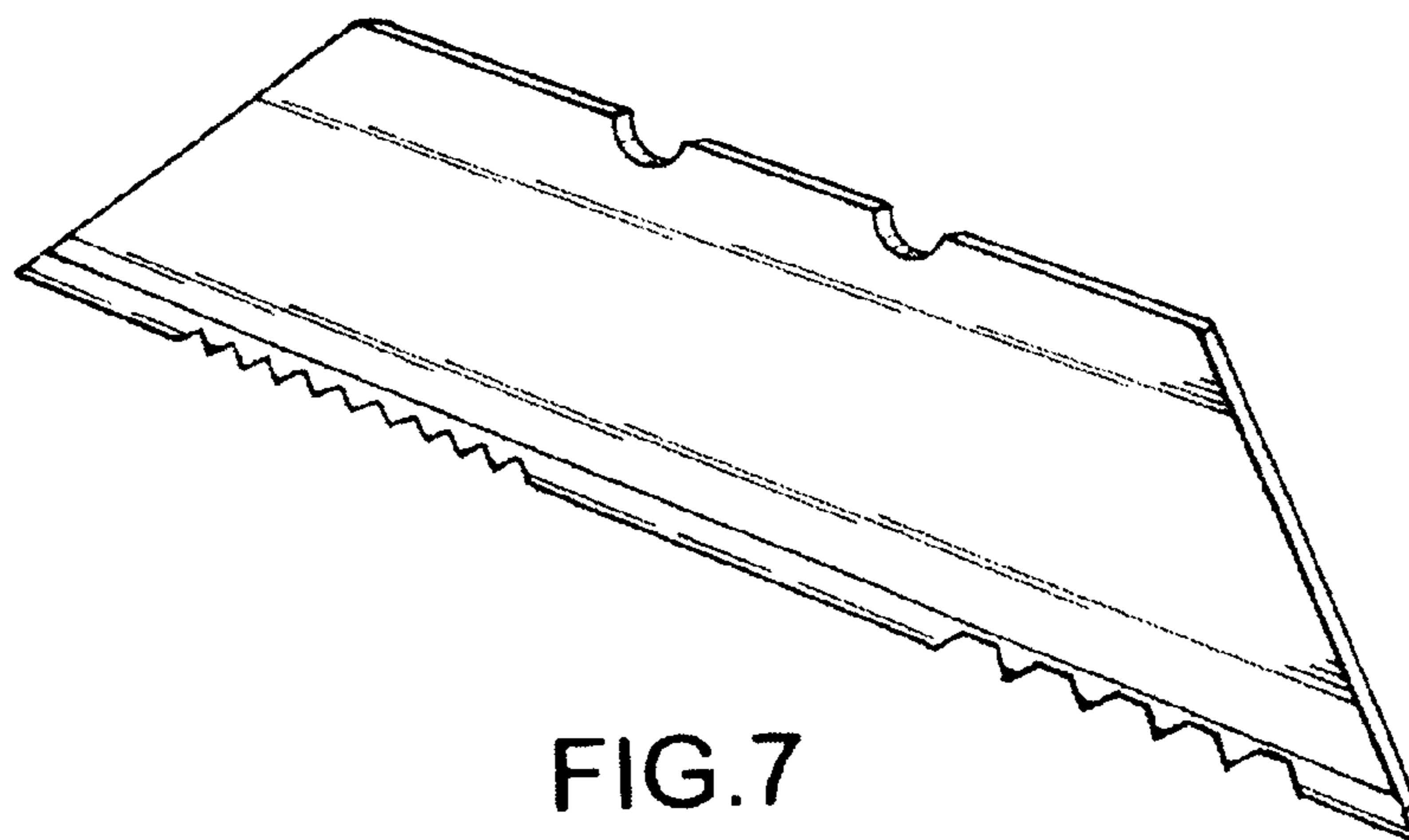


FIG. 7