



US00D619864S

(12) **United States Design Patent**
Ellis

(10) **Patent No.:** **US D619,864 S**

(45) **Date of Patent:** **** Jul. 20, 2010**

(54) **PIN PLATE FOR CARPET**

(76) **Inventor:** **Michael Ashley Ellis**, 416 Callahan Rd., Dalton, GA (US) 30721

(**) **Term:** **14 Years**

(21) **Appl. No.:** **29/352,546**

(22) **Filed:** **Dec. 22, 2009**

(51) **LOC (9) Cl.** **08-05**

(52) **U.S. Cl.** **D8/15**

(58) **Field of Classification Search** D8/14,
D8/15, 16, 19, 20; D22/117, 118; 7/103;
16/4-7, 9, 16; 294/8.6

See application file for complete search history.

(56) **References Cited**

U.S. PATENT DOCUMENTS

D31,037 S *	6/1899	Orton	D8/15
D213,402 S *	2/1969	Brenner	D8/15
3,464,731 A *	9/1969	Eramo	294/8.6
D245,665 S *	9/1977	Klingensmith	D8/15
D254,472 S *	3/1980	Finucane et al.	D8/15
D254,473 S *	3/1980	Finucane et al.	D8/15
D254,474 S *	3/1980	Finucane et al.	D8/15
D429,611 S *	8/2000	Hobaica	D8/15
D545,649 S *	7/2007	Speck et al.	D8/15

* cited by examiner

Primary Examiner—Caron Veynar

Assistant Examiner—Garth Rademaker

(74) *Attorney, Agent, or Firm*—QuickPatents, Inc.; Kevin Prince

(57) **CLAIM**

What is claimed is the ornamental design for a pin plate for carpet, as shown and described.

DESCRIPTION

FIG. 1 is a perspective view of a pin plate for carpet, showing the new design;

FIG. 2 is a second perspective view thereof;

FIG. 3 is a front elevational view thereof;

FIG. 4 is a rear elevational view thereof;

FIG. 5 is a left-side elevational view thereof;

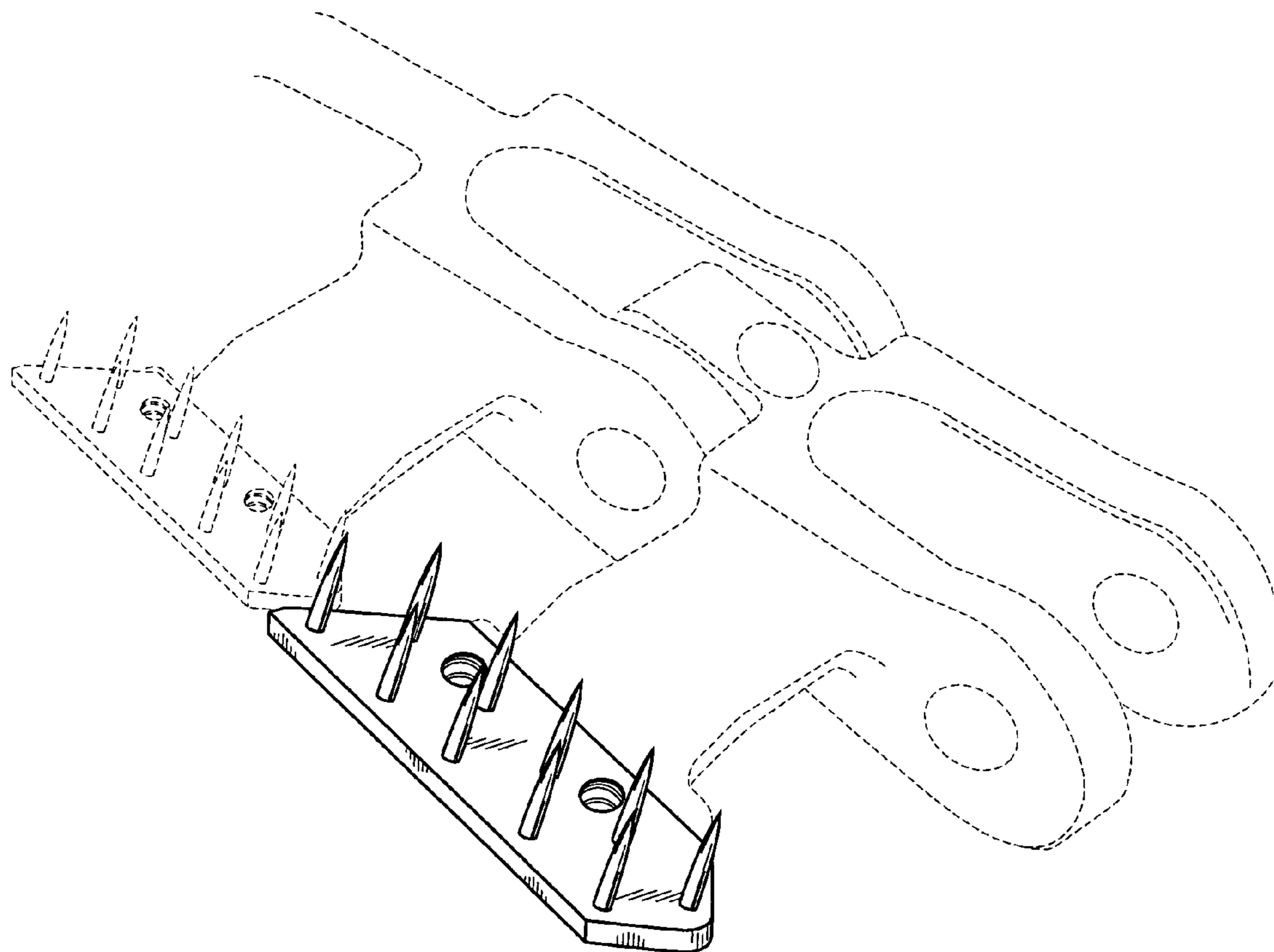
FIG. 6 is a right-side elevational view thereof;

FIG. 7 is a top plan view thereof; and,

FIG. 8 is a bottom plan view thereof.

The broken lines showing a tenter chain and an additional pin plate in FIG. 1 are included for the purpose of illustrating the invention in use, and form no part of the claimed design.

1 Claim, 3 Drawing Sheets



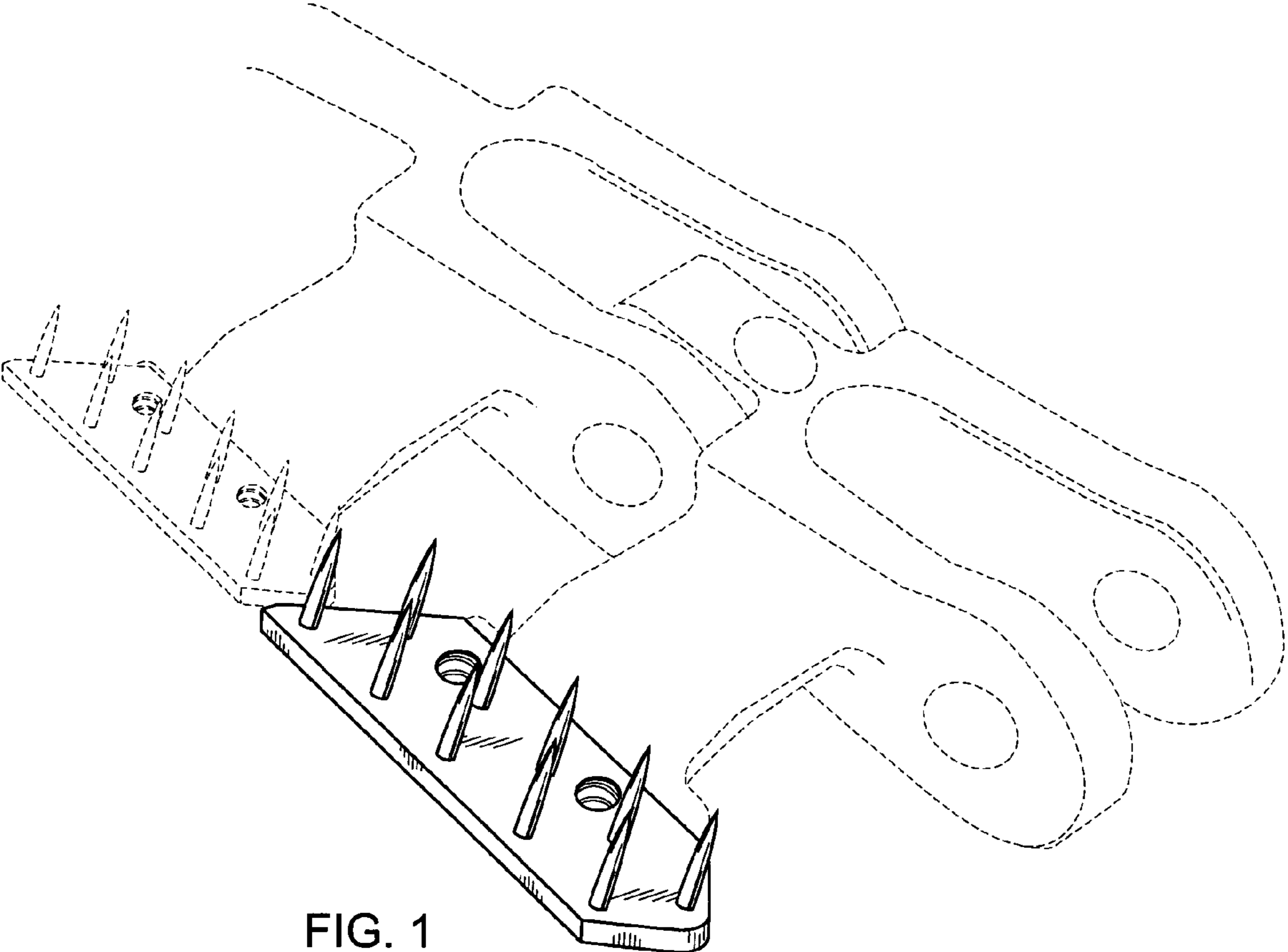


FIG. 1

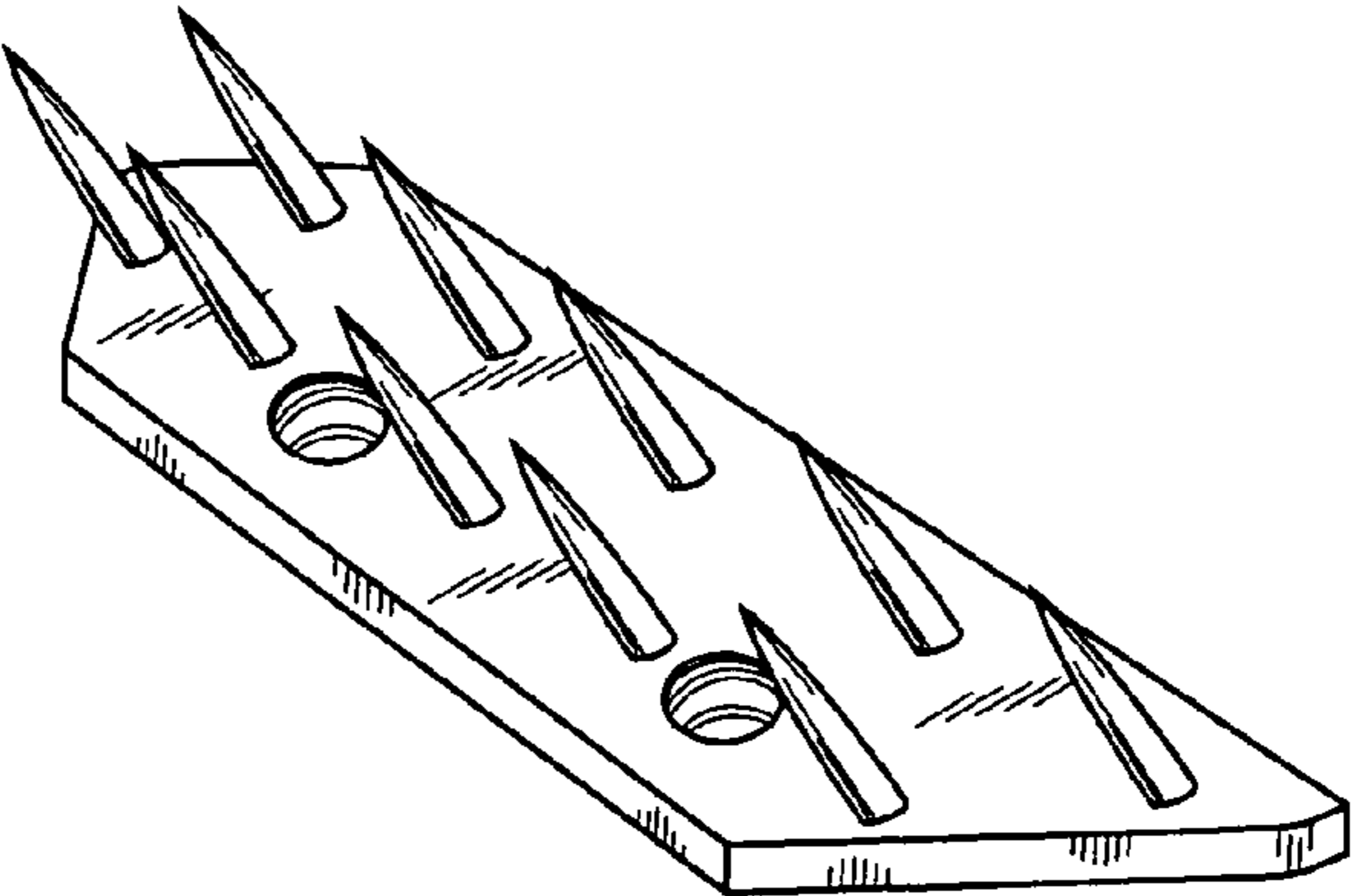


FIG. 2

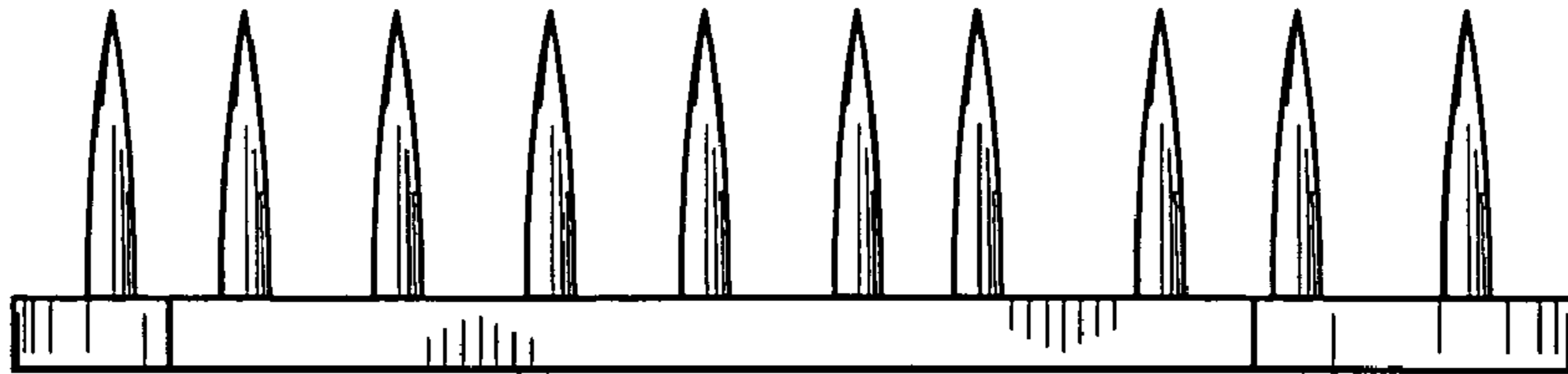


FIG. 3

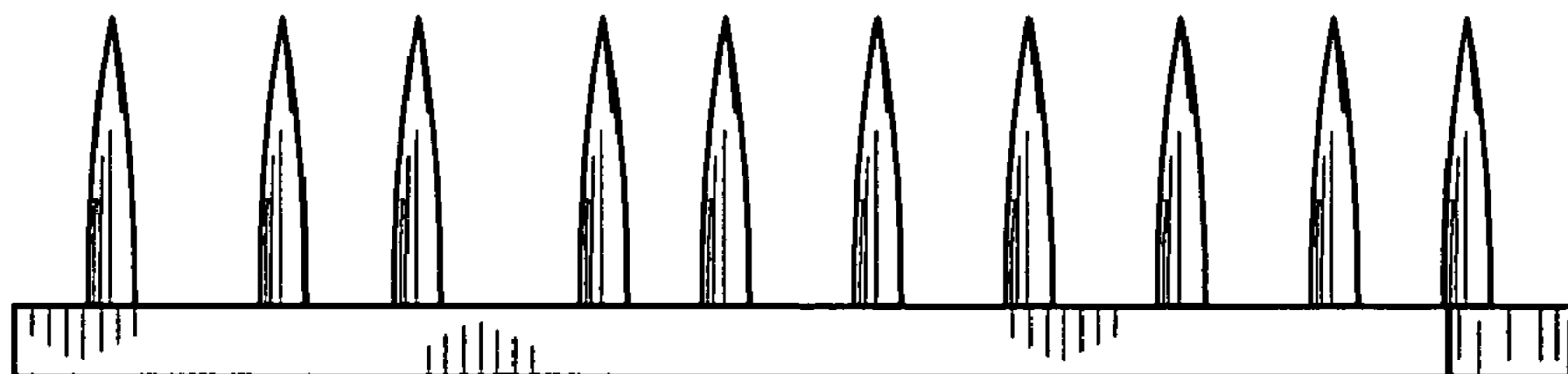


FIG. 4

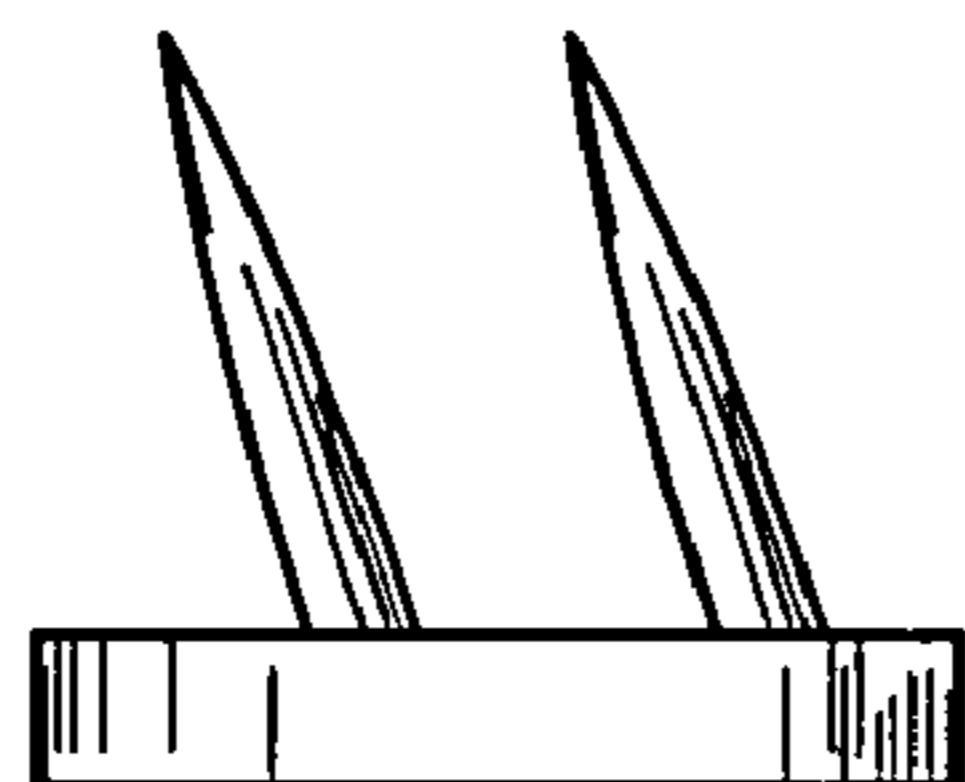


FIG. 5

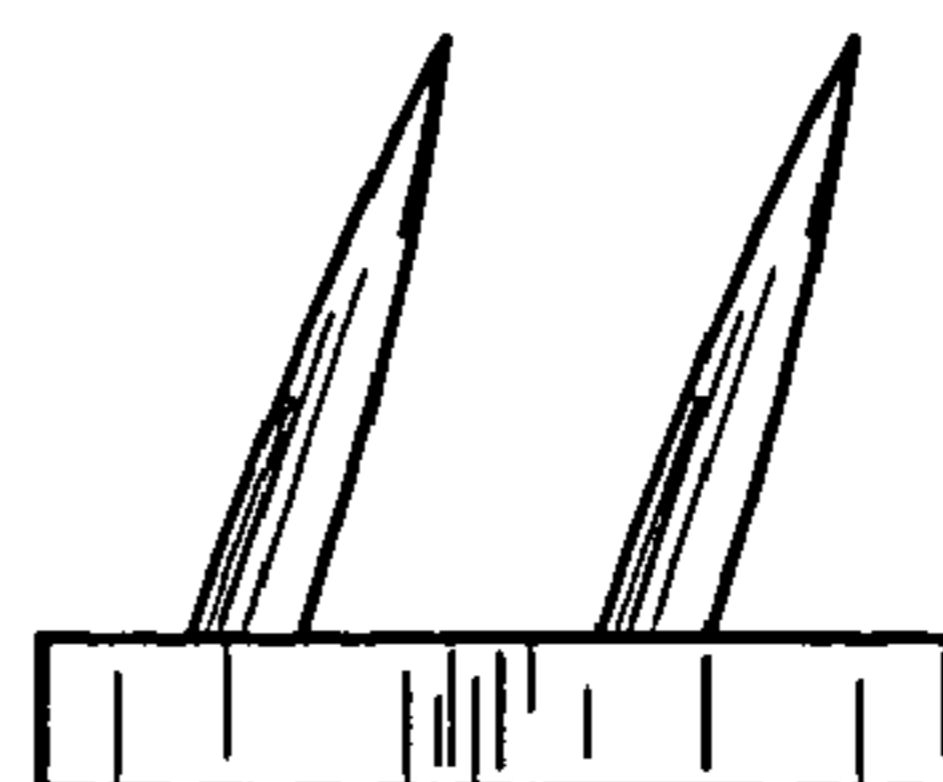


FIG. 6

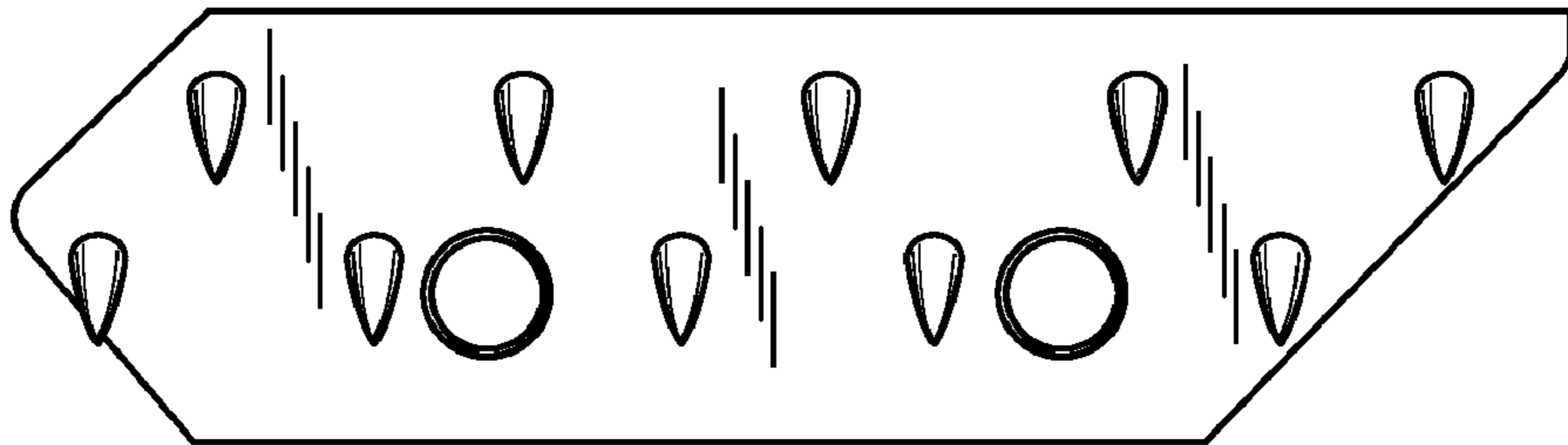


FIG. 7

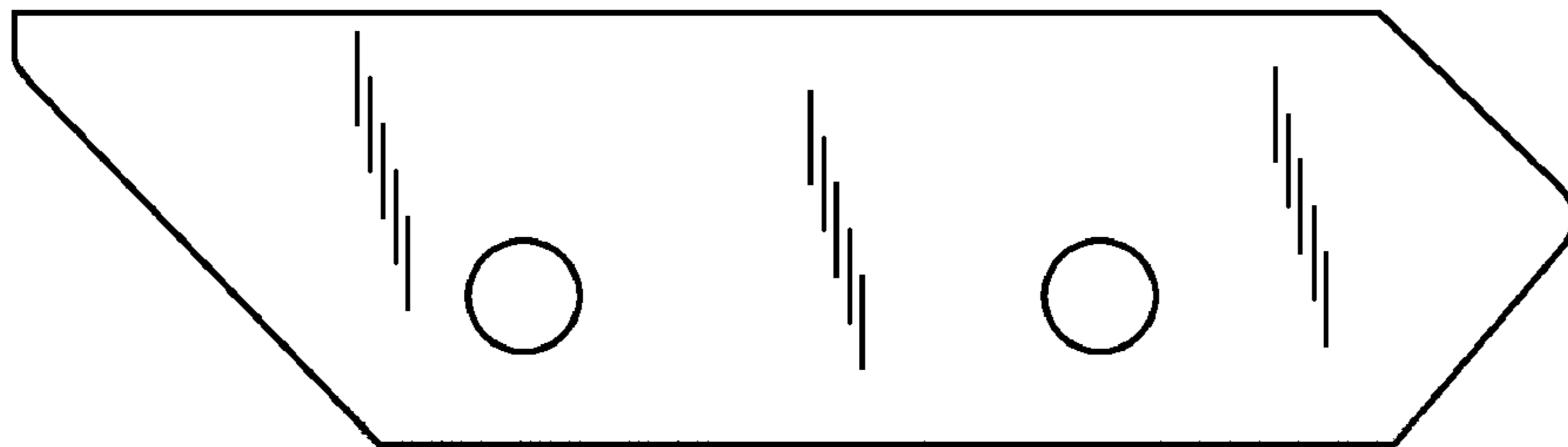


FIG. 8