



US00D619863S

(12) **United States Design Patent**  
**Shih**

(10) **Patent No.:** **US D619,863 S**

(45) **Date of Patent:** **\*\* Jul. 20, 2010**

(54) **SEALANT GUN**

(76) **Inventor:** **Po-Jen Shih**, 6980 Whiteoak Drive,  
Richmond, B.C. (CA) V7E 4Z9

(\*\*) **Term:** **14 Years**

(21) **Appl. No.:** **29/341,394**

(22) **Filed:** **Aug. 4, 2009**

(51) **LOC (9) Cl.** ..... **08-05**

(52) **U.S. Cl.** ..... **D8/14.1**

(58) **Field of Classification Search** ..... D8/14.1;  
222/321.1, 309, 160, 174, 82, 323, 325, 137,  
222/391

See application file for complete search history.

(56) **References Cited**

**U.S. PATENT DOCUMENTS**

D349,438	S *	8/1994	Owens	.....	D8/14.1
5,456,389	A *	10/1995	King	.....	222/391
D413,235	S *	8/1999	Hwang	.....	D8/14.1
D511,077	S *	11/2005	Huang	.....	D8/14.1
D572,096	S *	7/2008	van Swicten et al.	.....	D8/14.1
2004/0004093	A1 *	1/2004	Sung	.....	222/391
2008/0047983	A1 *	2/2008	Beckett	.....	222/391
2008/0179351	A1 *	7/2008	Beckett	.....	222/391

\* cited by examiner

*Primary Examiner*—Holly H Baynham  
*Assistant Examiner*—Sheryl Lane

(57) **CLAIM**

The ornamental design for a sealant gun, as shown and described.

**DESCRIPTION**

FIG. 1 is a perspective view, taken from the front, top, and right side of a sealant gun showing my new design;

FIG. 2 is a front elevational view thereof;

FIG. 3 is a rear front elevational view thereof;

FIG. 4 is a left side elevational view thereof;

FIG. 5 is a right side elevational view thereof;

FIG. 6 is a top plan view thereof;

FIG. 7 is a bottom plan view thereof;

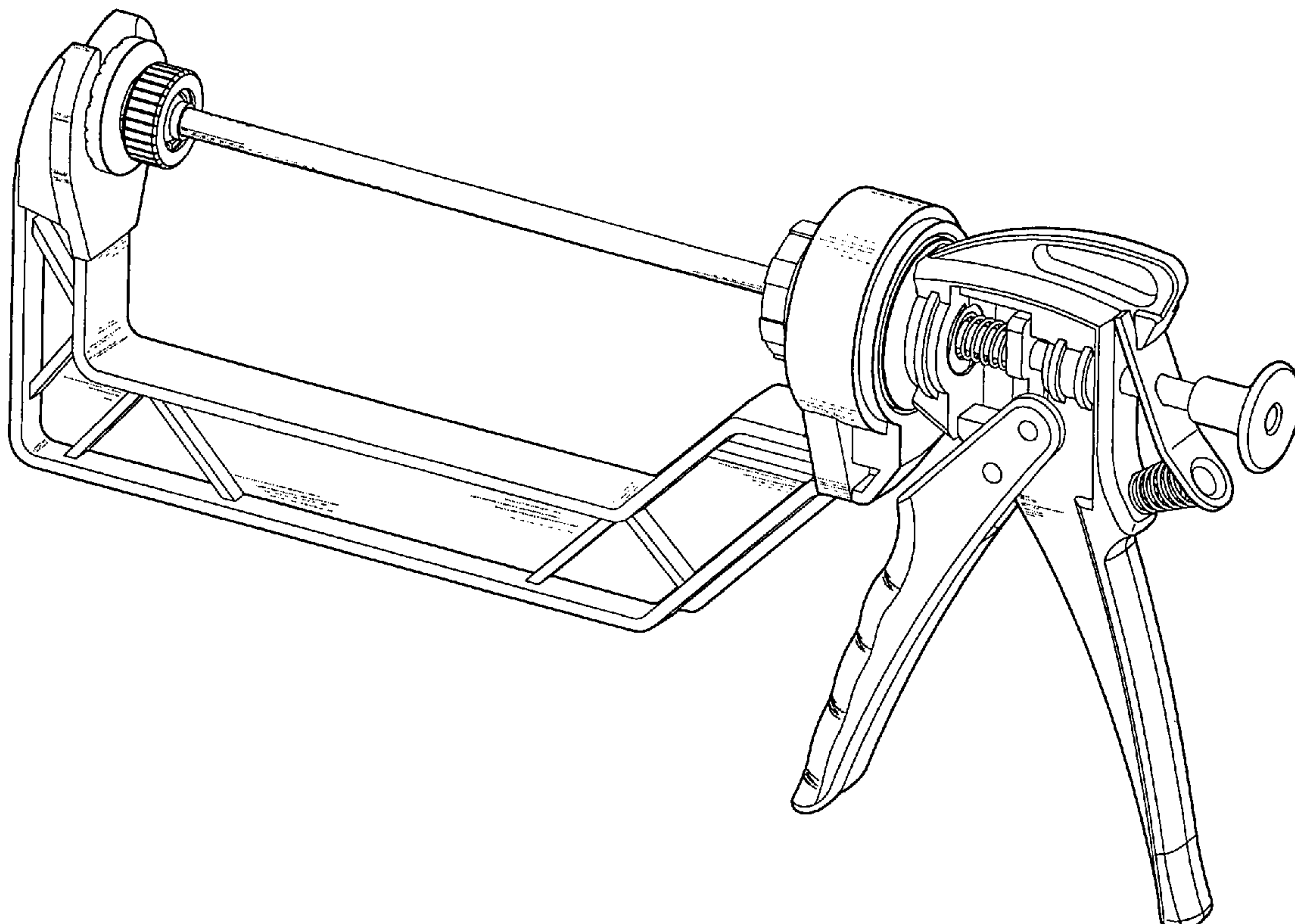
FIG. 8 is an environmental front view of the sealant gun with a sealant tube.

FIG. 9 is an environmental front view of the sealant gun with an alternate sealant tube; and,

FIG. 10 is an environmental front view of the sealant gun with two boards.

The broken line showing of the sealant tube and two boards is included for the purpose of illustrating environmental structure and forms no part of the claimed design.

**1 Claim, 10 Drawing Sheets**



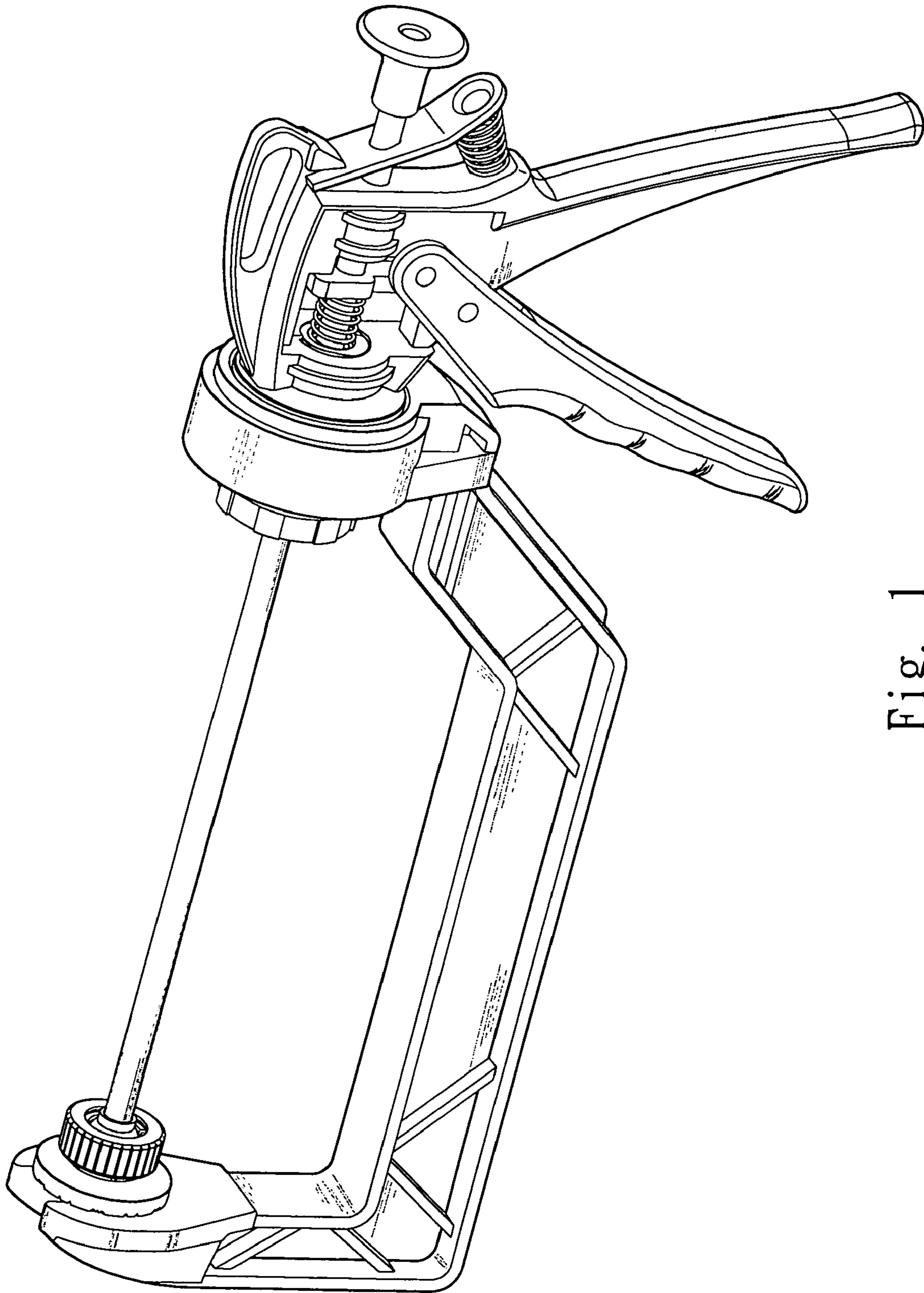


Fig. 1

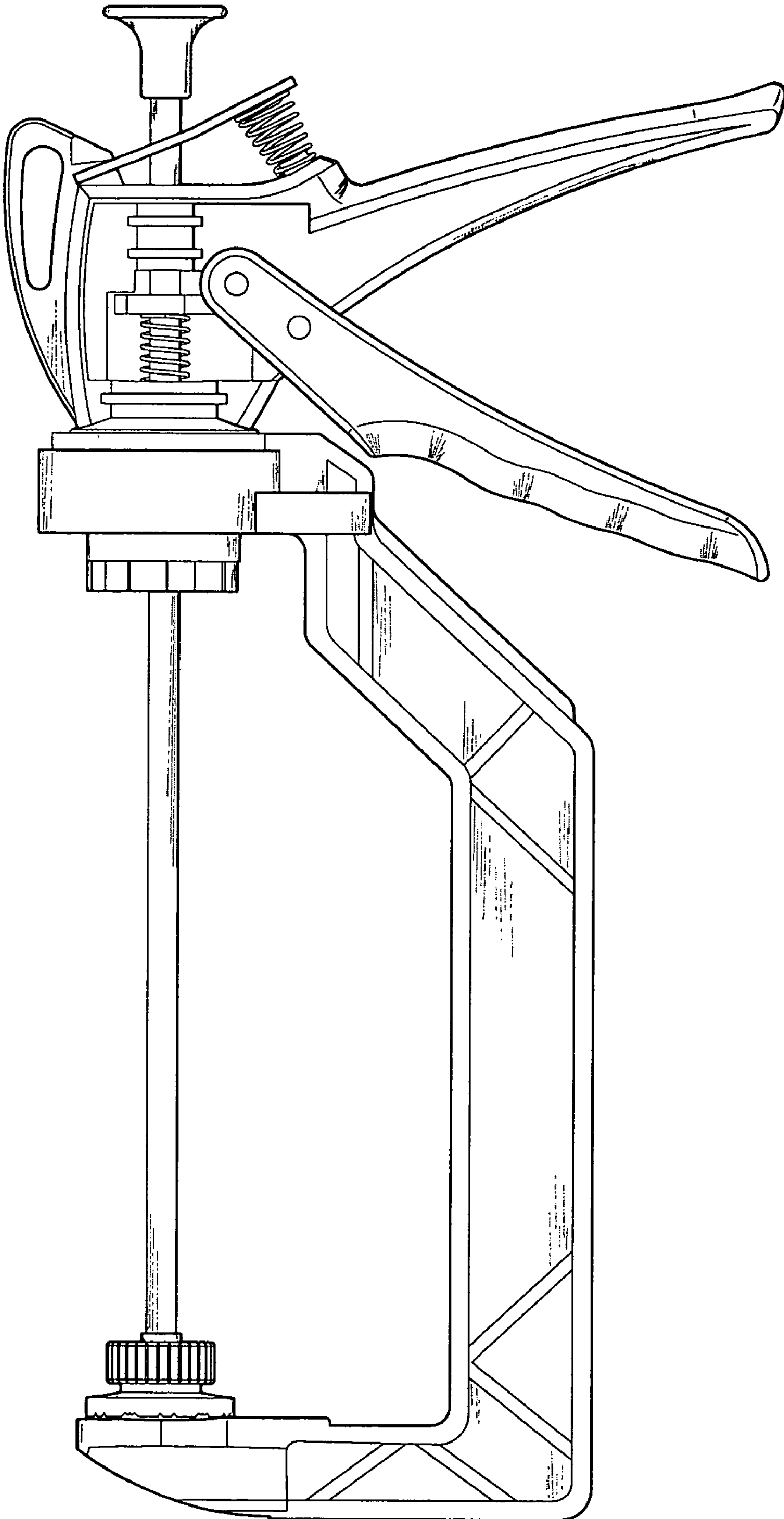


Fig. 2

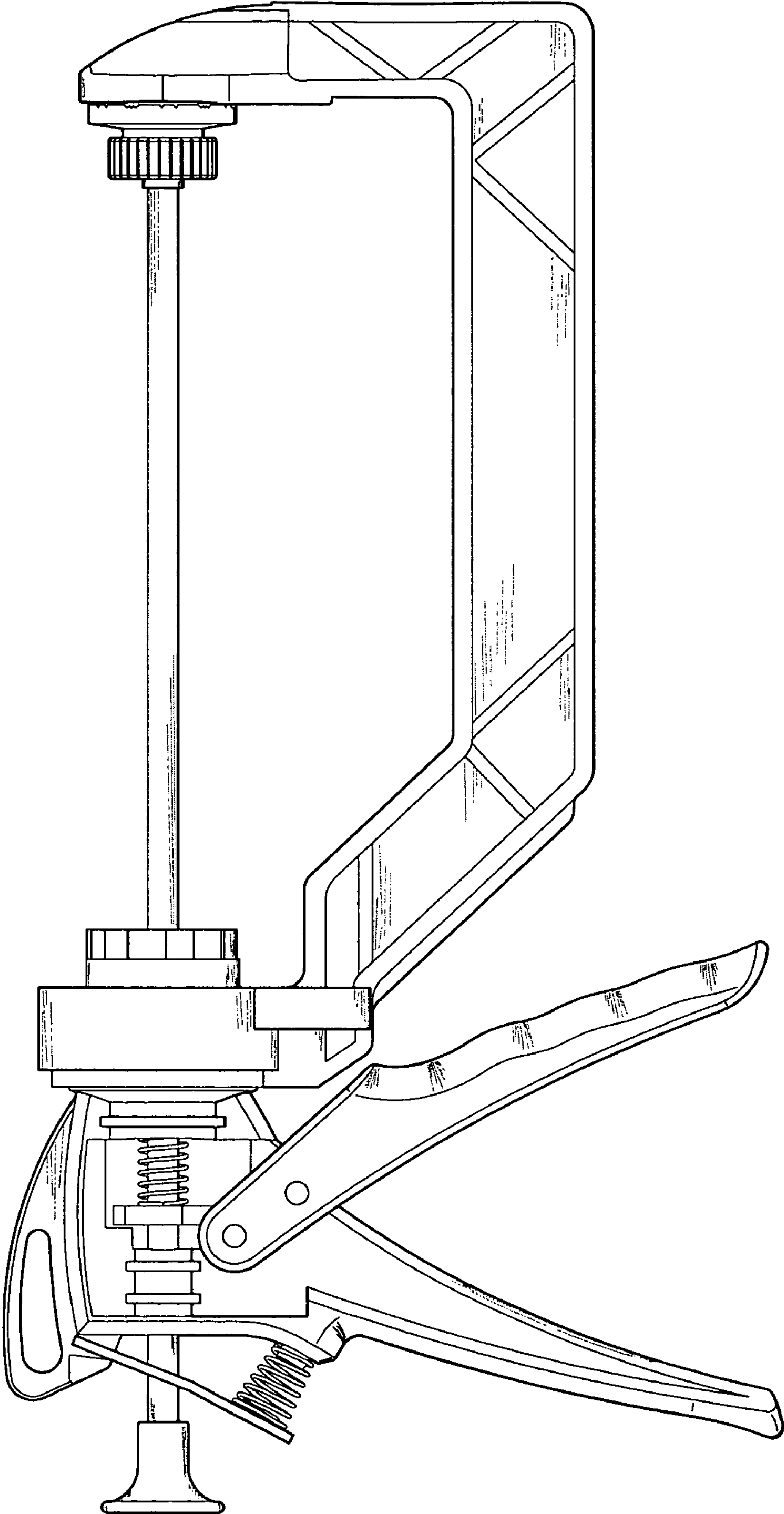


Fig. 3



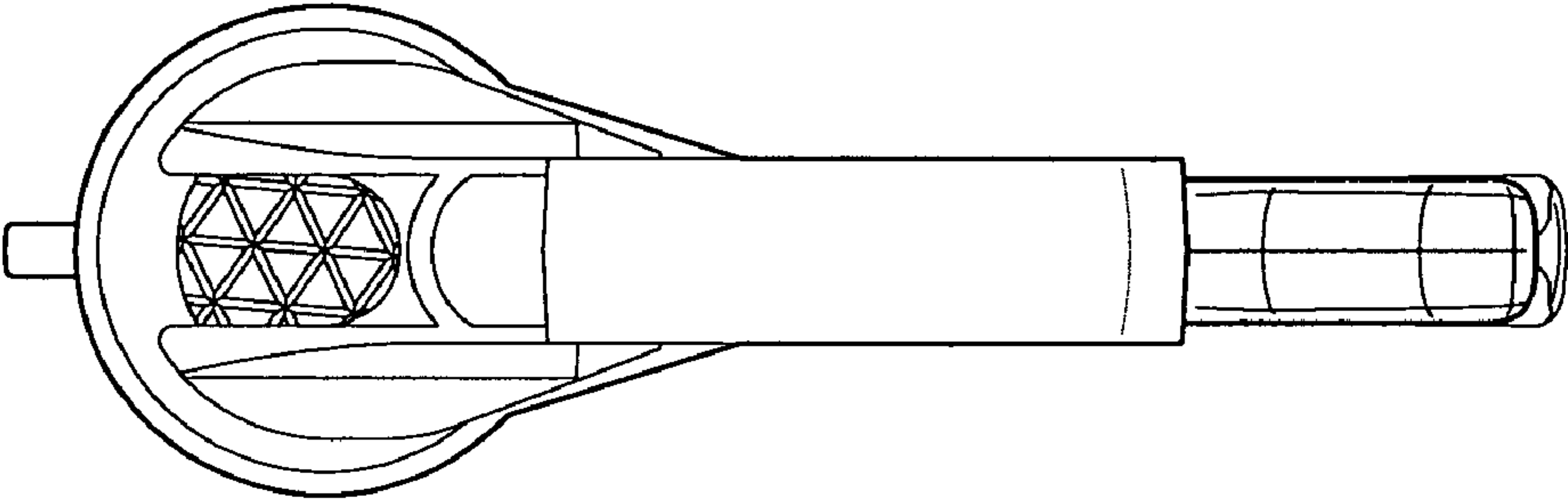


Fig. 4

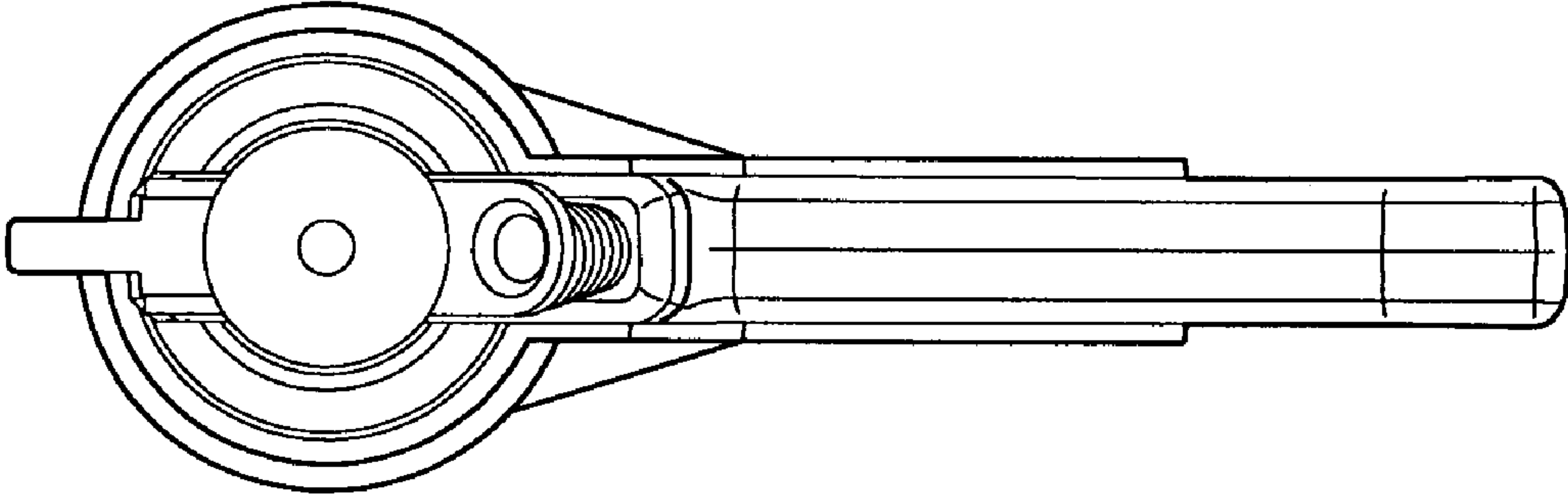


Fig. 5

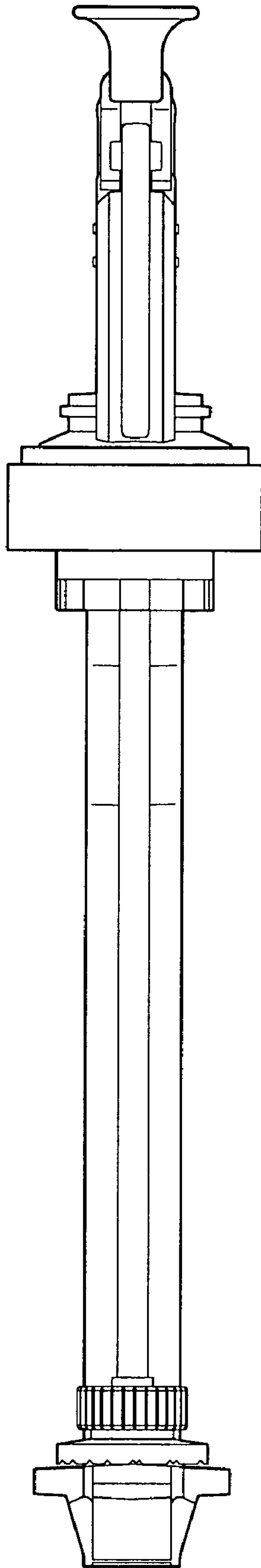


Fig. 6

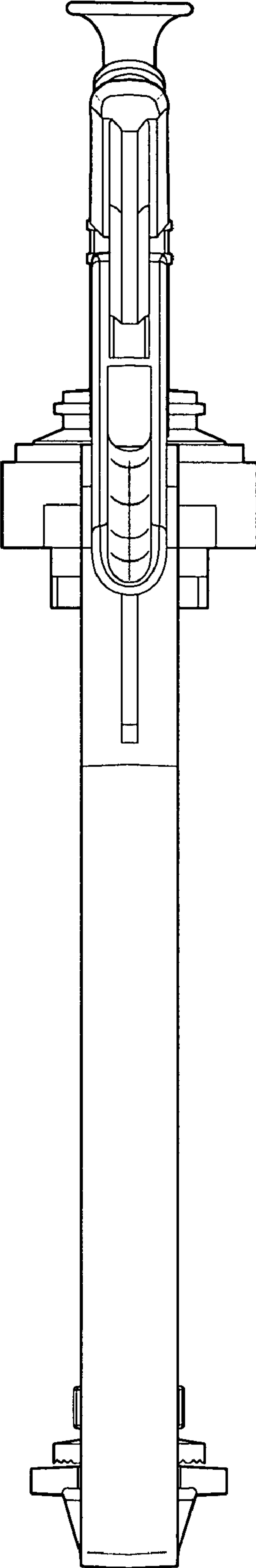


Fig. 7



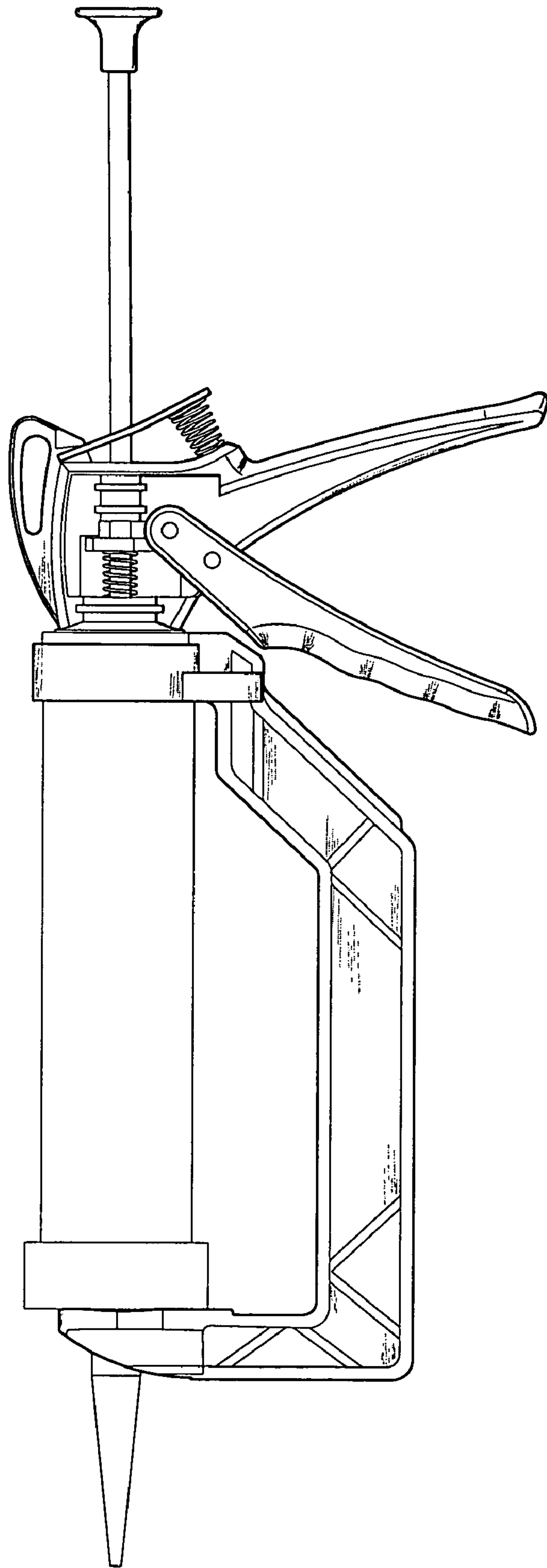


Fig. 8

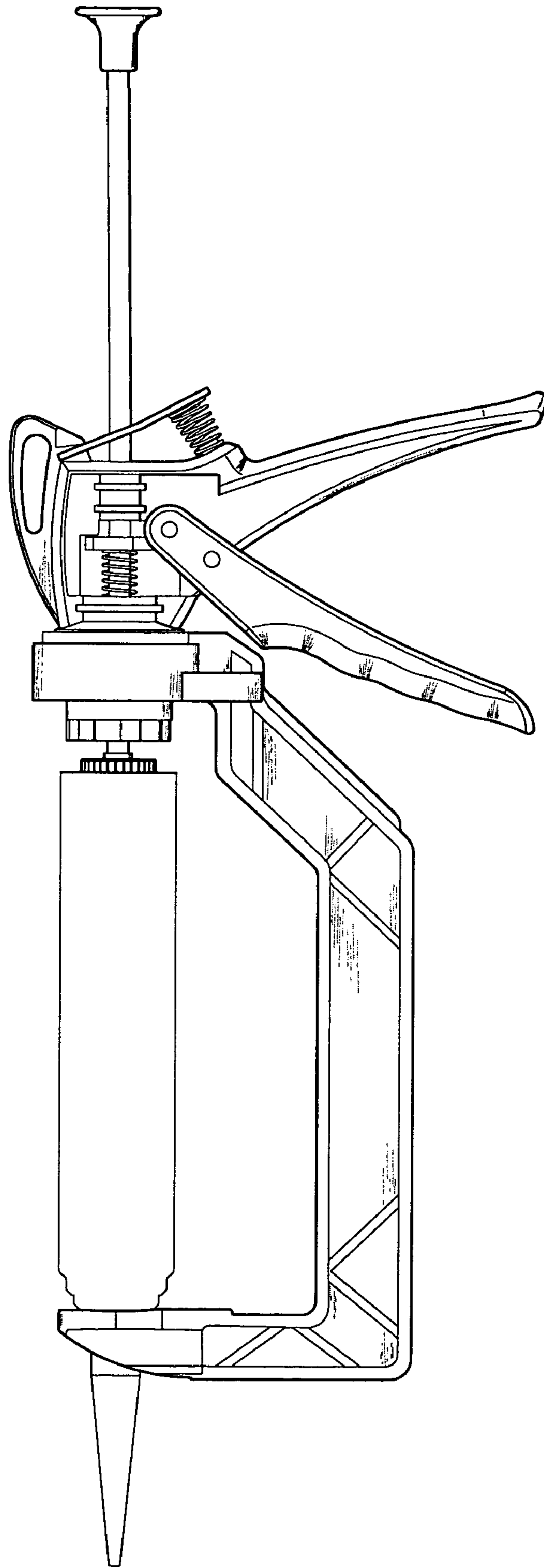


Fig. 9

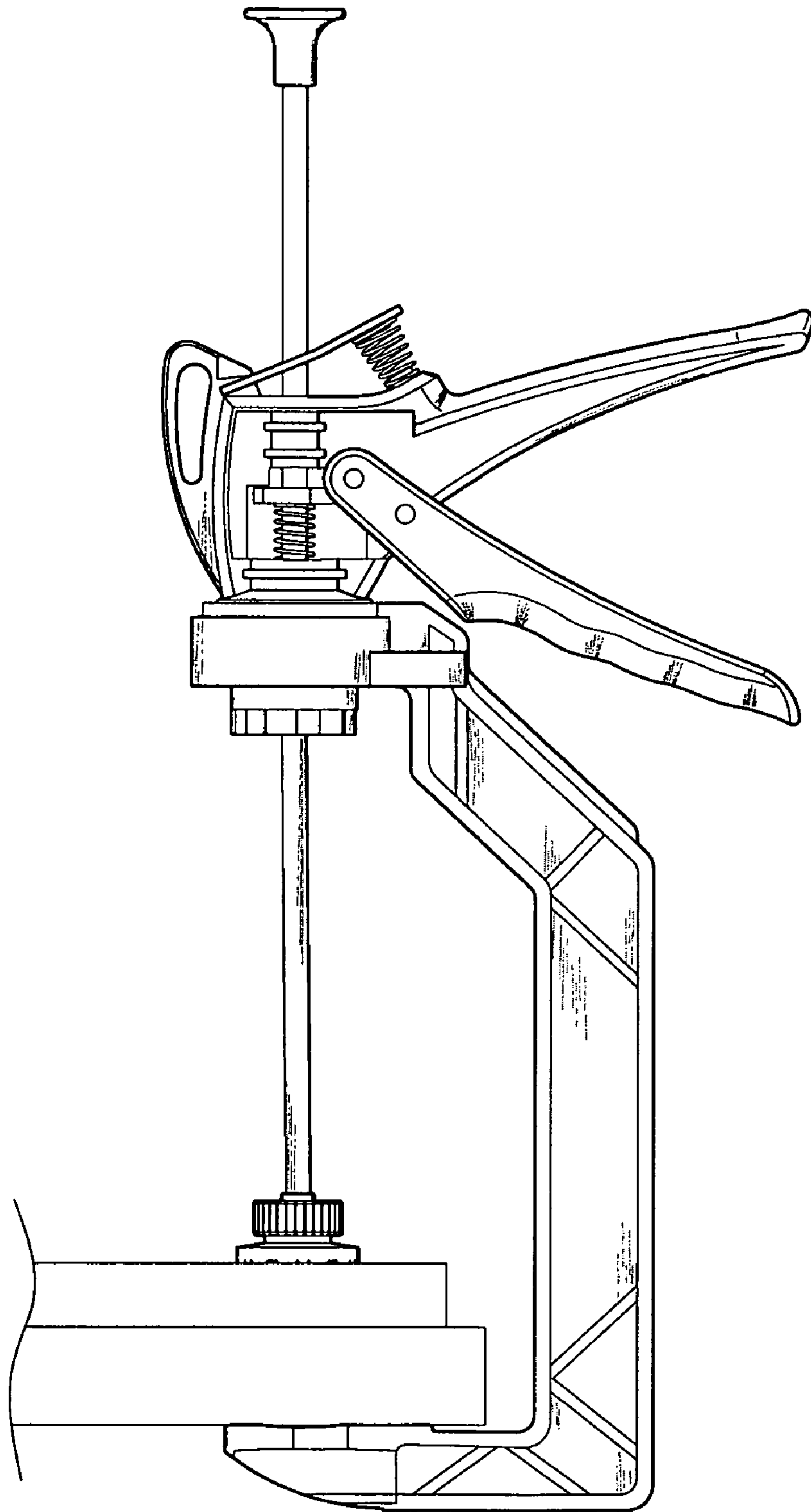


Fig. 10