



US00D619854S

(12) **United States Design Patent**
Koehler et al.

(10) **Patent No.:** **US D619,854 S**
(45) **Date of Patent:** **** Jul. 20, 2010**

(54) **SOFT-SIDED INSULATED CONTAINER**

(75) Inventors: **Sarah Koehler**, Wichita, KS (US);
Ashleigh Perry, Wichita, KS (US)

(73) Assignee: **The Coleman Company**, Wichita, KS
(US)

(**) Term: **14 Years**

(21) Appl. No.: **29/345,380**

(22) Filed: **Oct. 15, 2009**

(51) **LOC (9) Cl.** **07-01**

(52) **U.S. Cl.** **D7/607**

(58) **Field of Classification Search** D7/603–608,
D7/709, 710; D3/201, 202, 229, 232, 233,
D3/276, 272, 273, 283–287, 289; 62/457.1–457.9,
62/371, 372; 383/110, 113, 93, 109; 150/100,
150/103–105, 107, 110, 114, 118, 119; 190/100,
190/103–106, 109, 115; 220/592.01, 915.1,
220/915.2

See application file for complete search history.

(56) **References Cited**

U.S. PATENT DOCUMENTS

D261,213 S	10/1981	Perethian et al.	
4,805,776 A *	2/1989	Namgyal et al.	383/110
D328,550 S *	8/1992	Mogil et al.	D7/605
D340,387 S *	10/1993	Melk	D7/607
D340,621 S *	10/1993	Melk	D7/607
D340,840 S *	11/1993	Melk	D7/607
D347,971 S	6/1994	Krugman	
5,403,095 A	4/1995	Melk	
5,472,279 A *	12/1995	Lin	383/110
D371,051 S	6/1996	Melk	
D371,942 S *	7/1996	Lippincott et al.	D7/607
D382,771 S *	8/1997	Mogil	D7/607
D387,249 S *	12/1997	Mogil	D7/607
D397,914 S *	9/1998	Cooper, Jr.	D7/607
D414,379 S	9/1999	Haberkorn	
6,068,402 A	5/2000	Freese et al.	
6,092,661 A	7/2000	Mogil	

D430,993 S *	9/2000	Nottingham et al.	D7/607
6,116,045 A	9/2000	Hodosh et al.	
6,234,677 B1	5/2001	Mogil	
6,238,091 B1	5/2001	Mogil	
6,247,328 B1	6/2001	Mogil	
D464,235 S *	10/2002	Jeong	D7/607
D465,134 S	11/2002	Joss	
7,344,028 B2	3/2008	Hanson	
2005/0279124 A1	12/2005	Maldonado	

* cited by examiner

Primary Examiner—Terry A Wallace

(74) *Attorney, Agent, or Firm*—Kelly S. Elsea

(57) **CLAIM**

The ornamental design for a soft-sided insulated container, as shown and described.

DESCRIPTION

FIG. 1 is a front side perspective view of our soft-sided insulated container in the expanded configuration;

FIG. 2 is a rear elevation view thereof;

FIG. 3 is a front elevation view thereof;

FIG. 4 is a left side elevation view thereof;

FIG. 5 is a right side elevation view thereof;

FIG. 6 is a top plan view thereof;

FIG. 7 is a bottom plan view thereof;

FIG. 8 is a front side perspective view of our soft-sided insulated container in the collapsed configuration;

FIG. 9 is a rear elevation view thereof;

FIG. 10 is a front elevation view thereof;

FIG. 11 is a left side elevation view thereof;

FIG. 12 is a right side elevation view thereof;

FIG. 13 is a top plan view thereof; and,

FIG. 14 is a bottom plan view thereof.

The broken lines represent portions of the design that form no part of the claim.

1 Claim, 8 Drawing Sheets

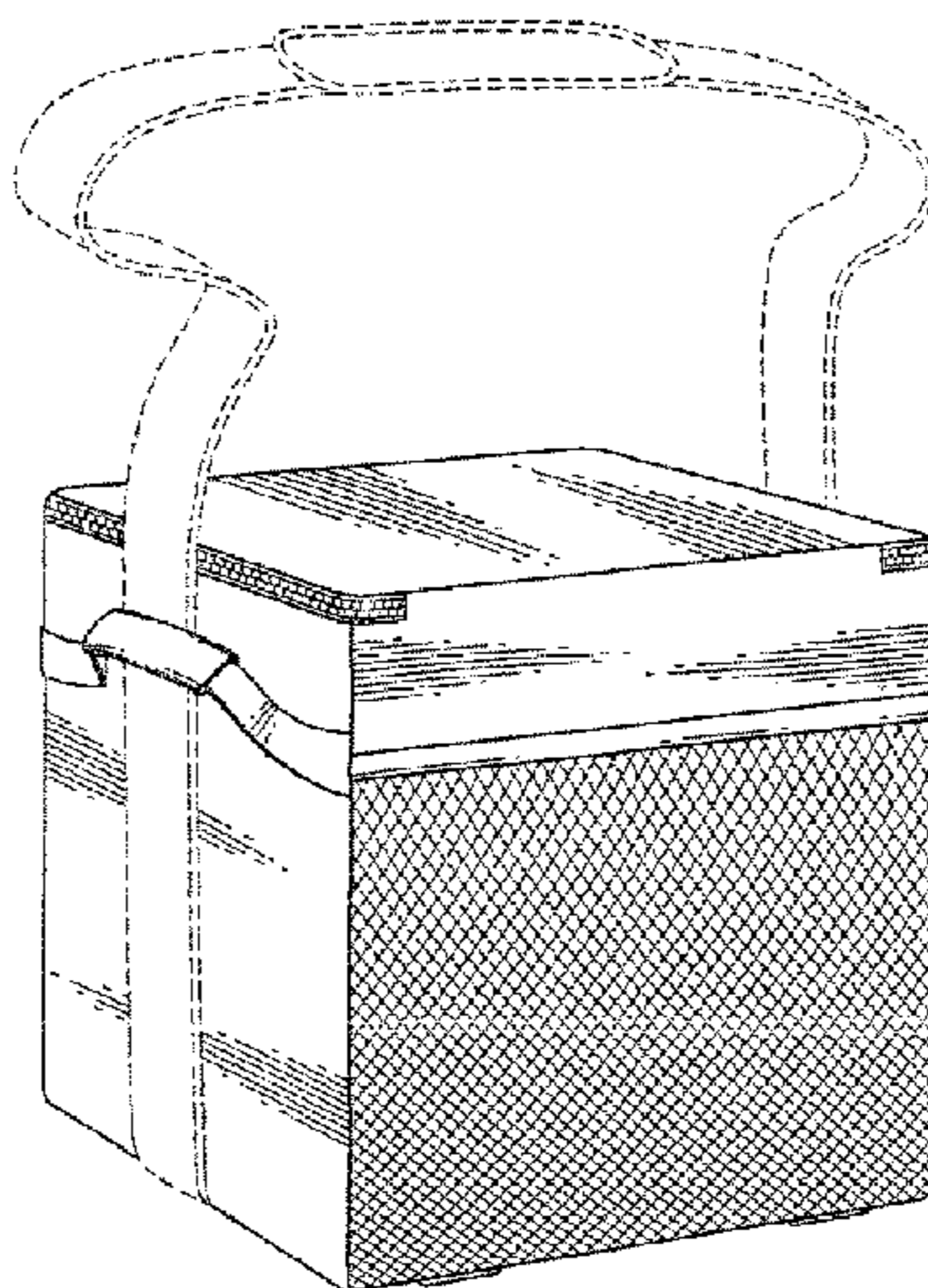


FIG. 1

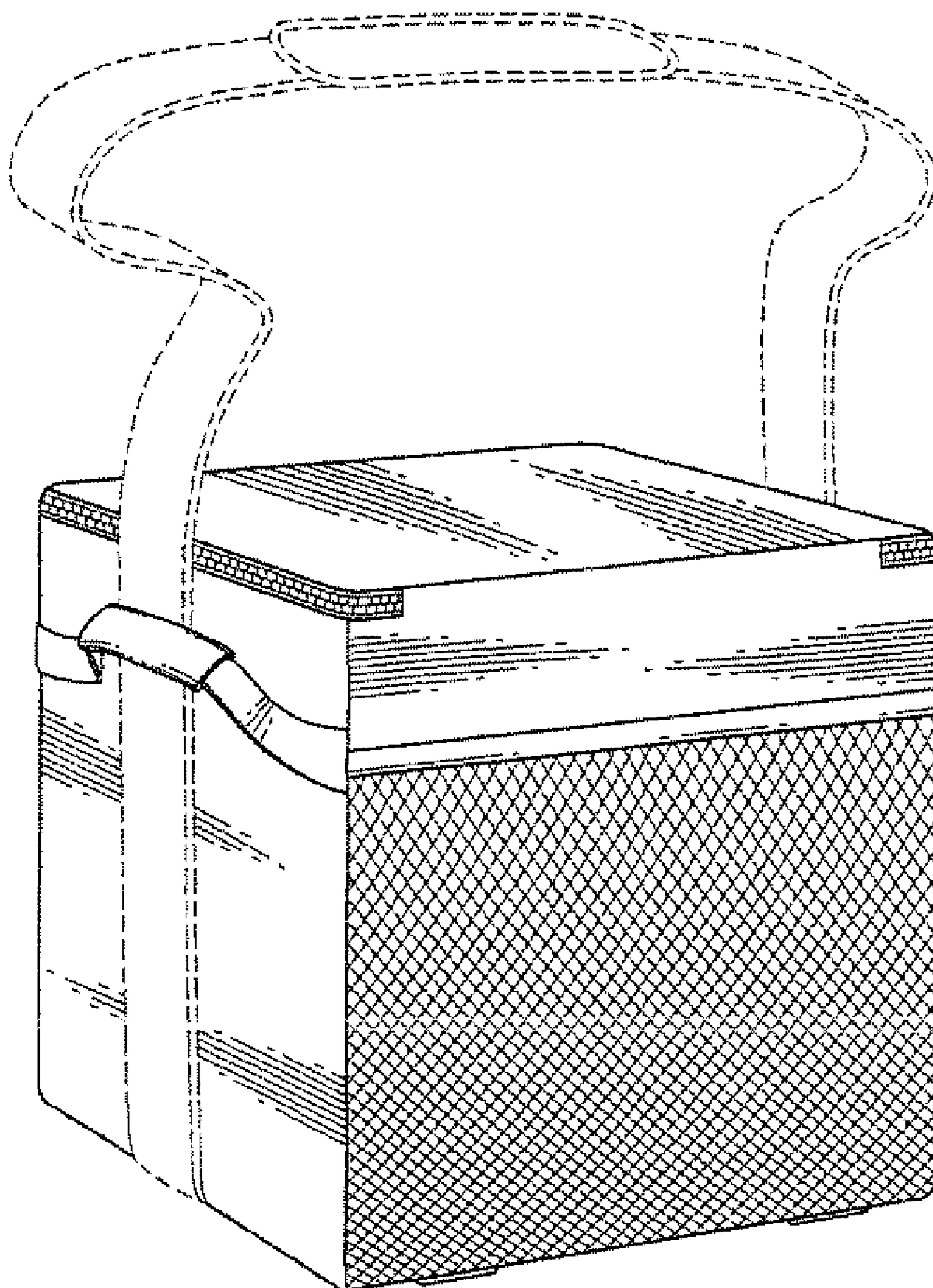


FIG. 3

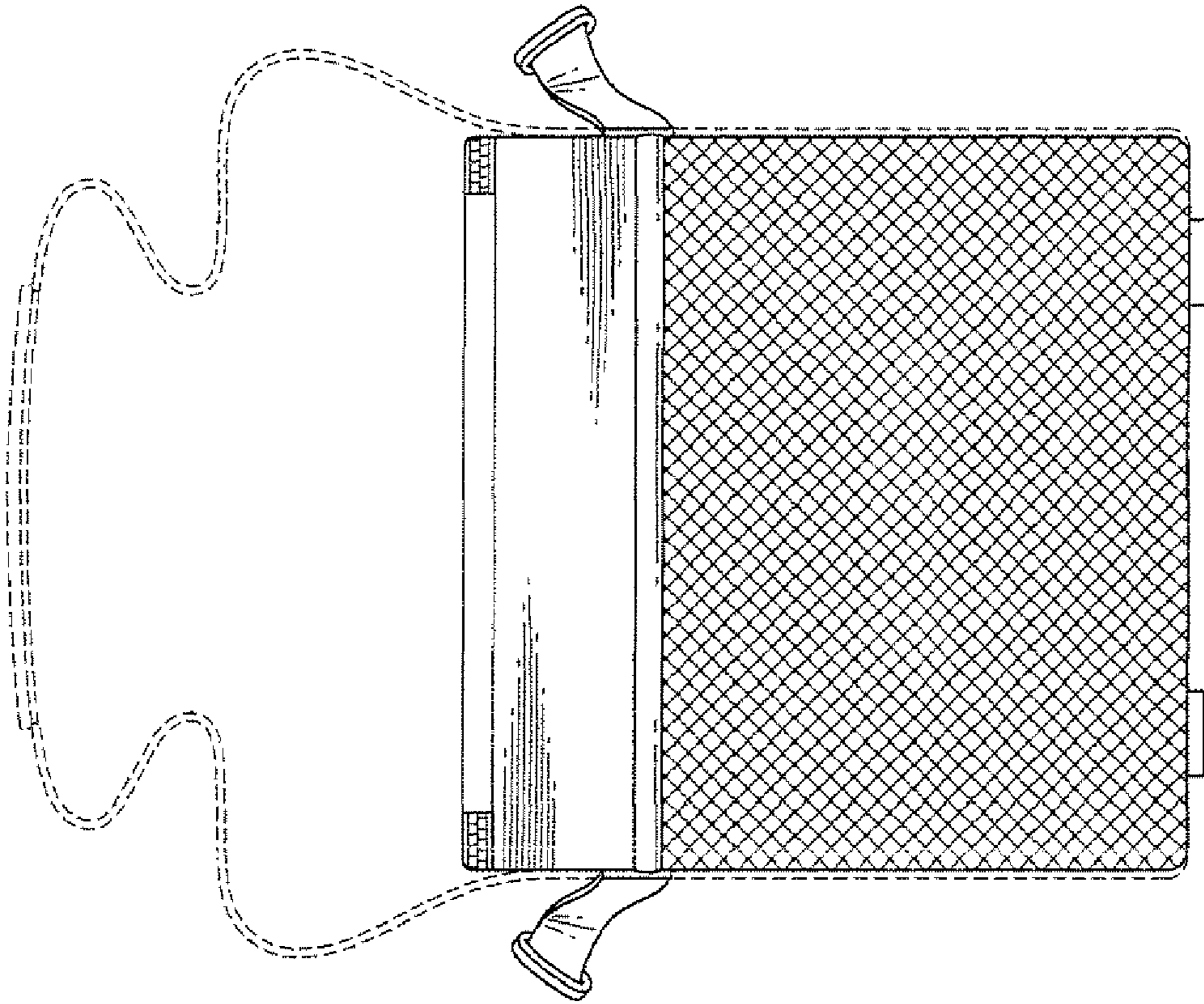


FIG. 2

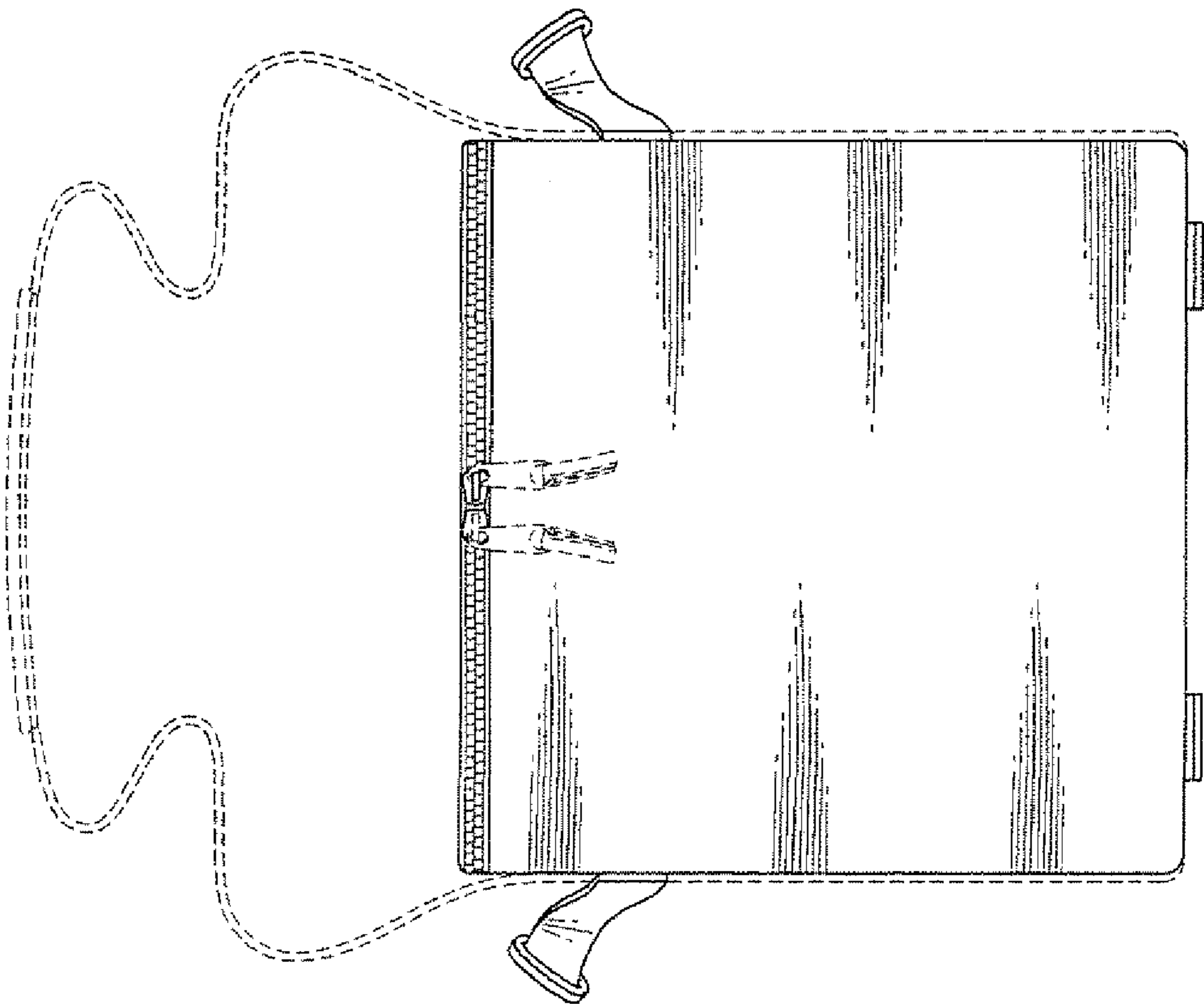


FIG. 5

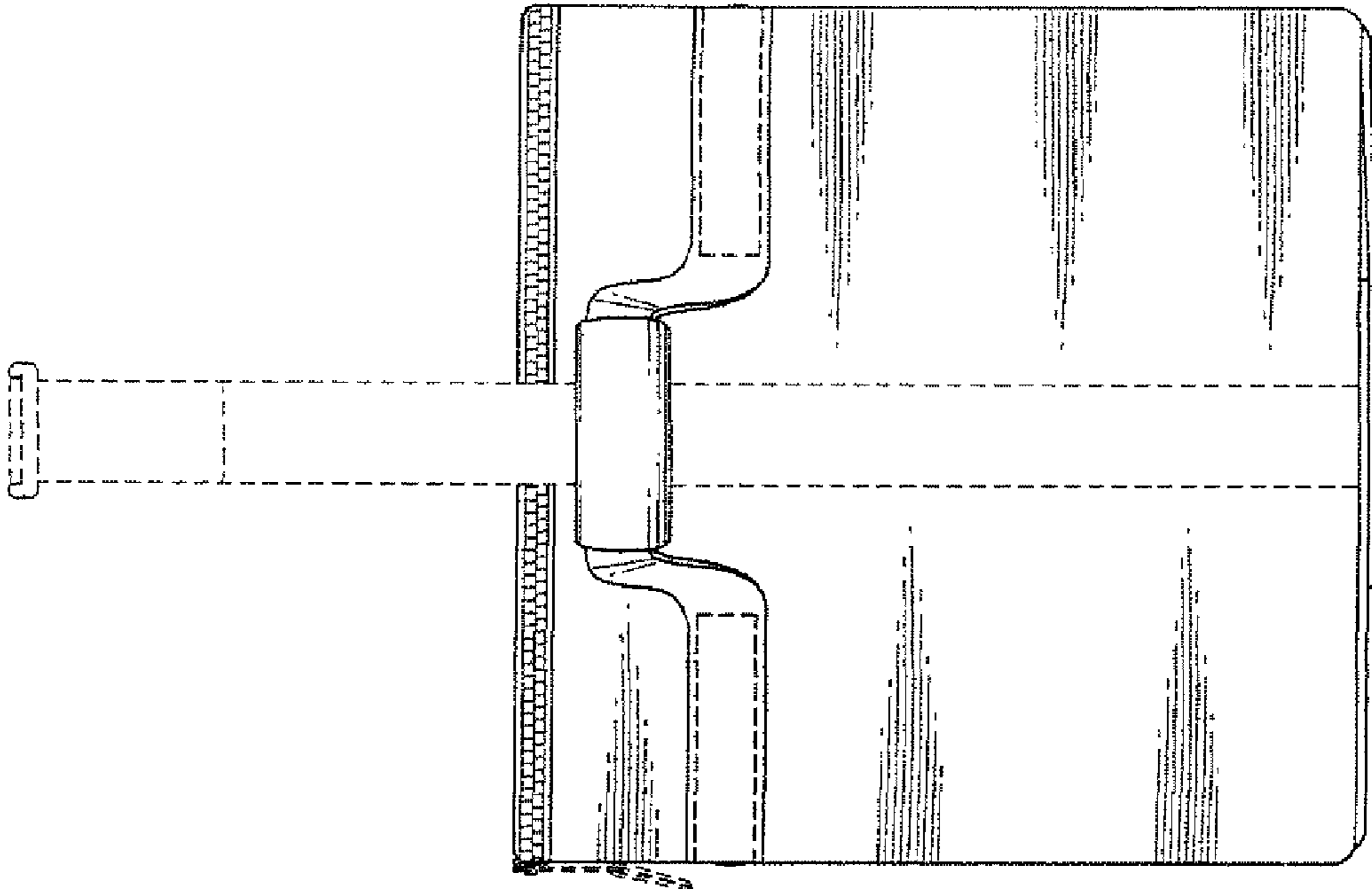


FIG. 4

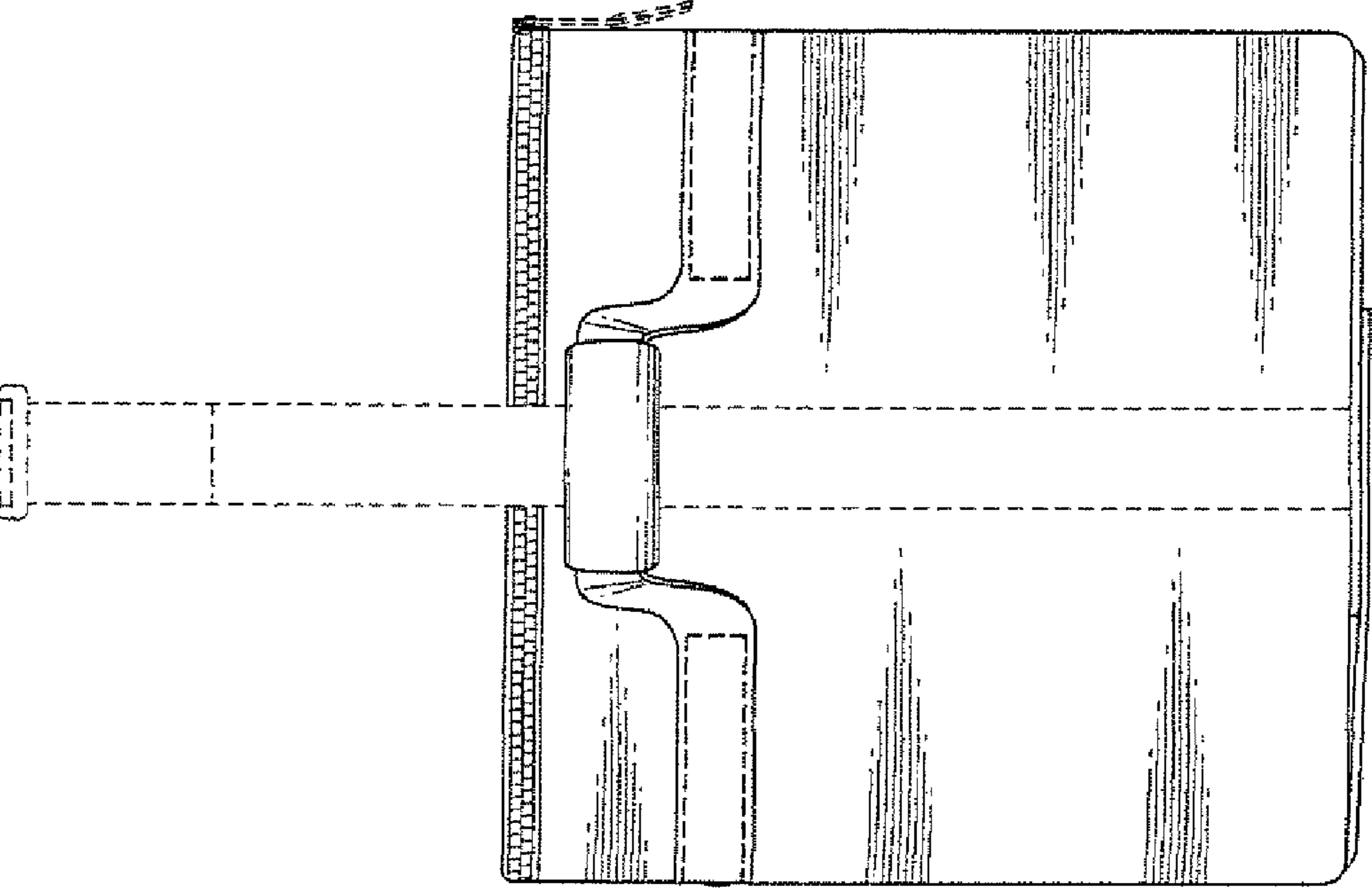


FIG. 6

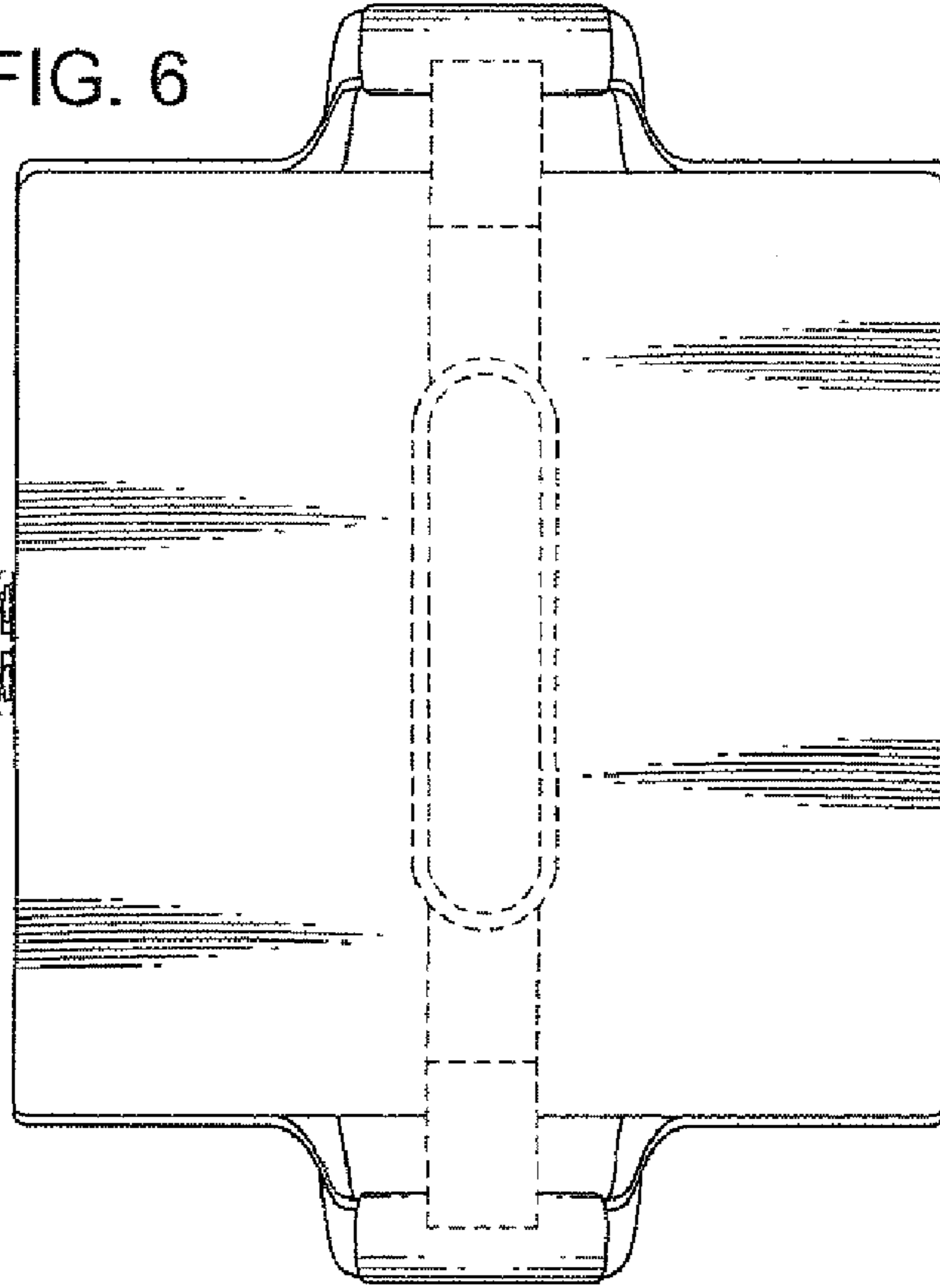


FIG. 7

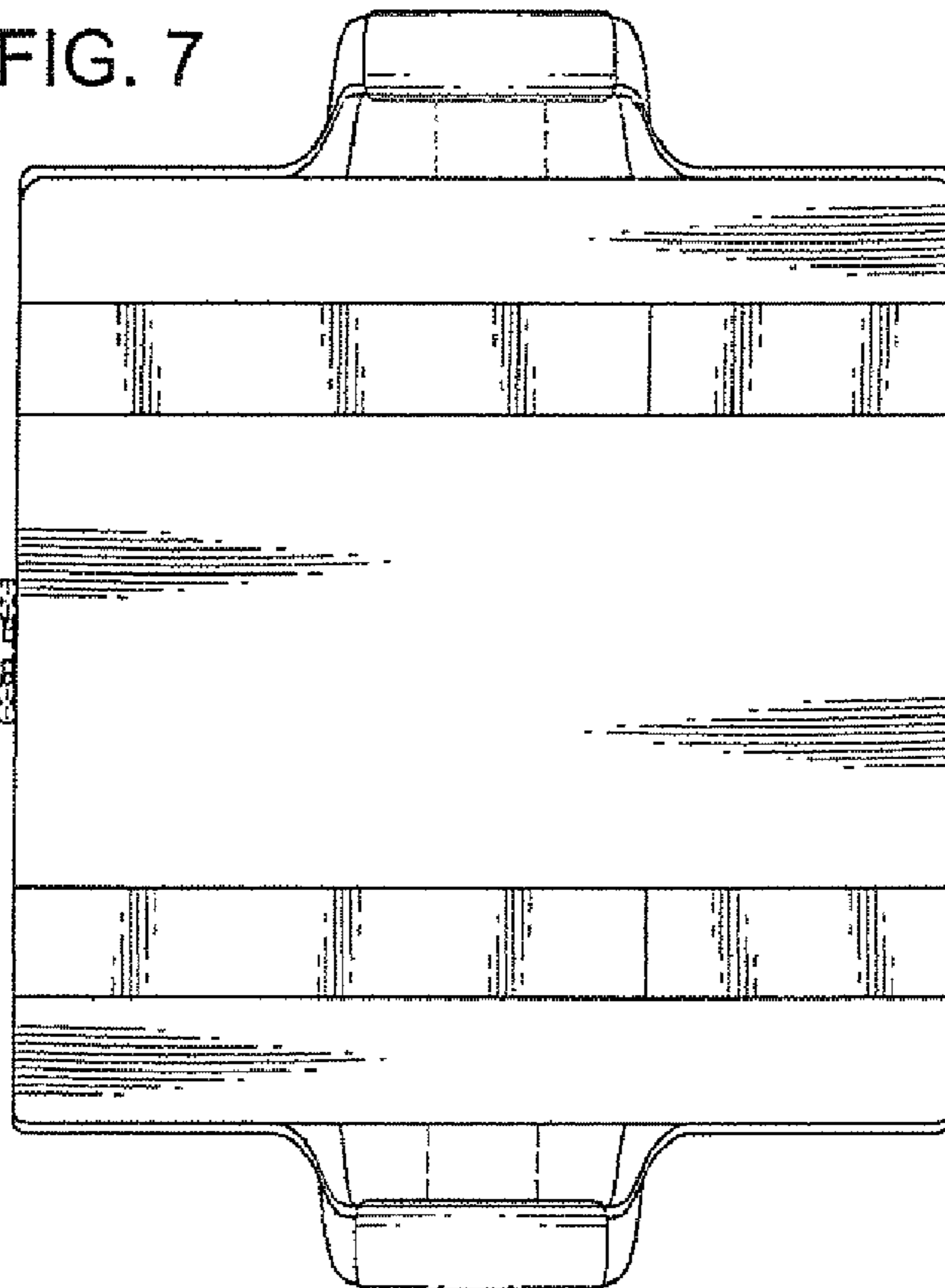


FIG. 8

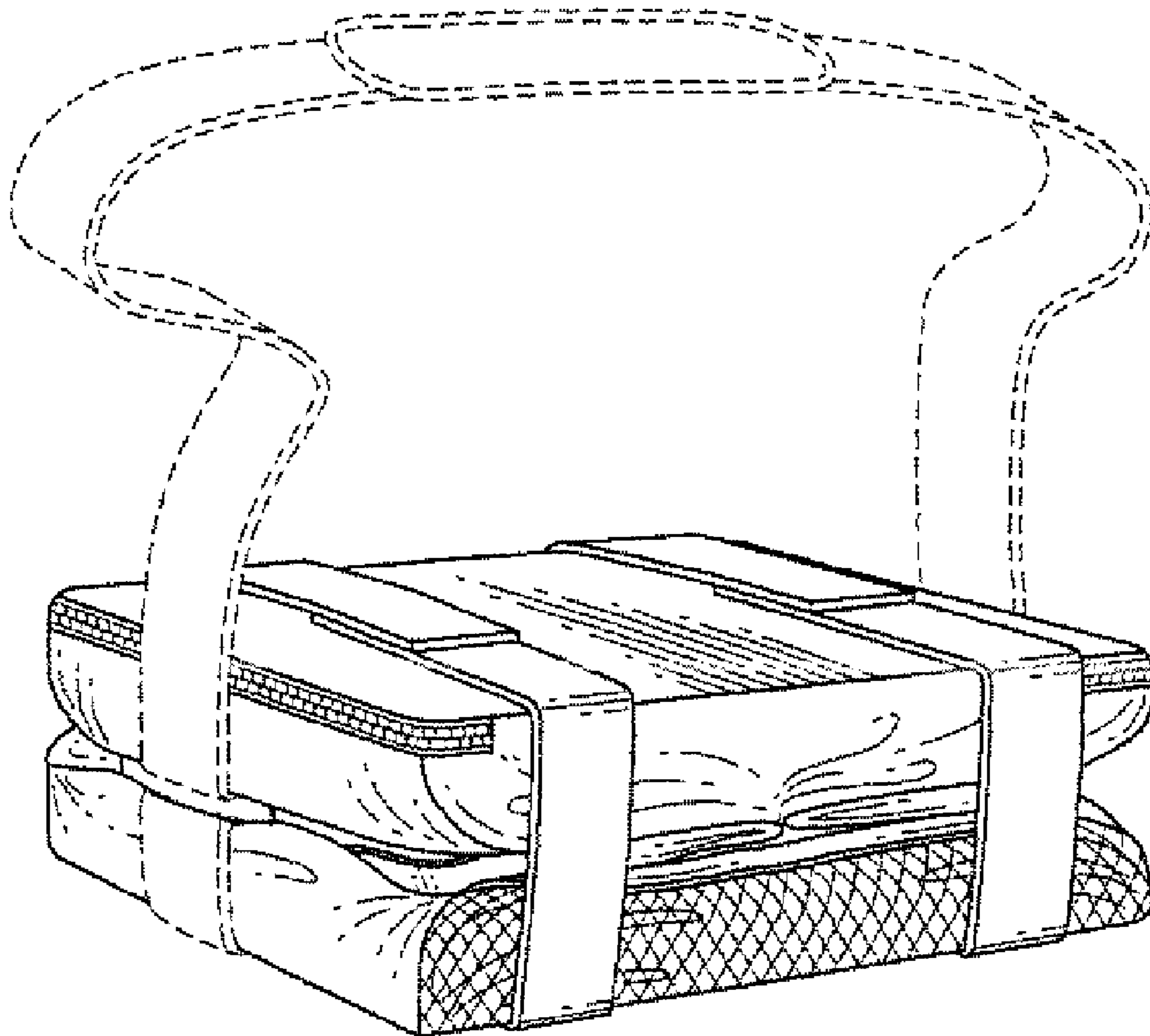


FIG. 10

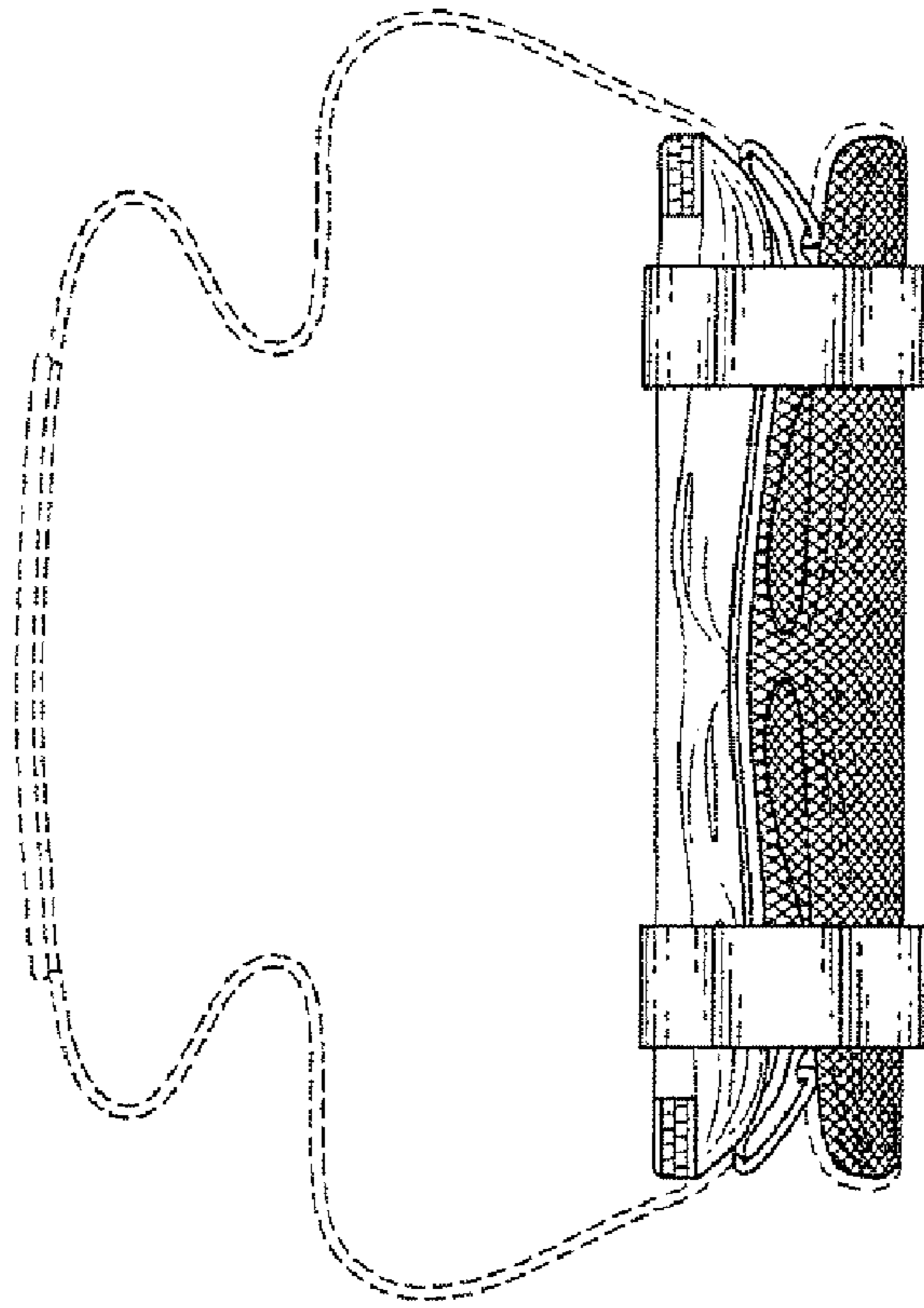


FIG. 9

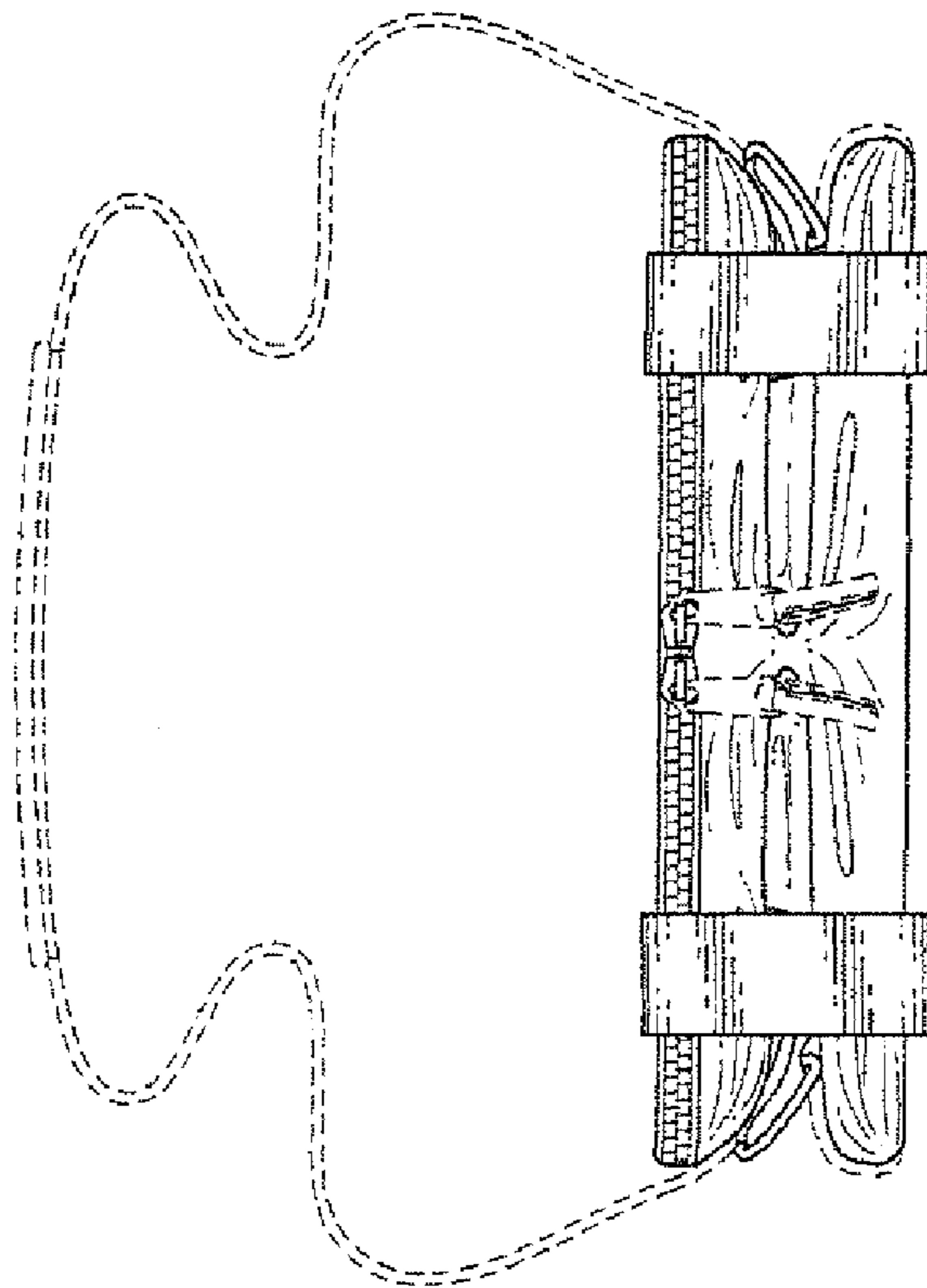


FIG. 12

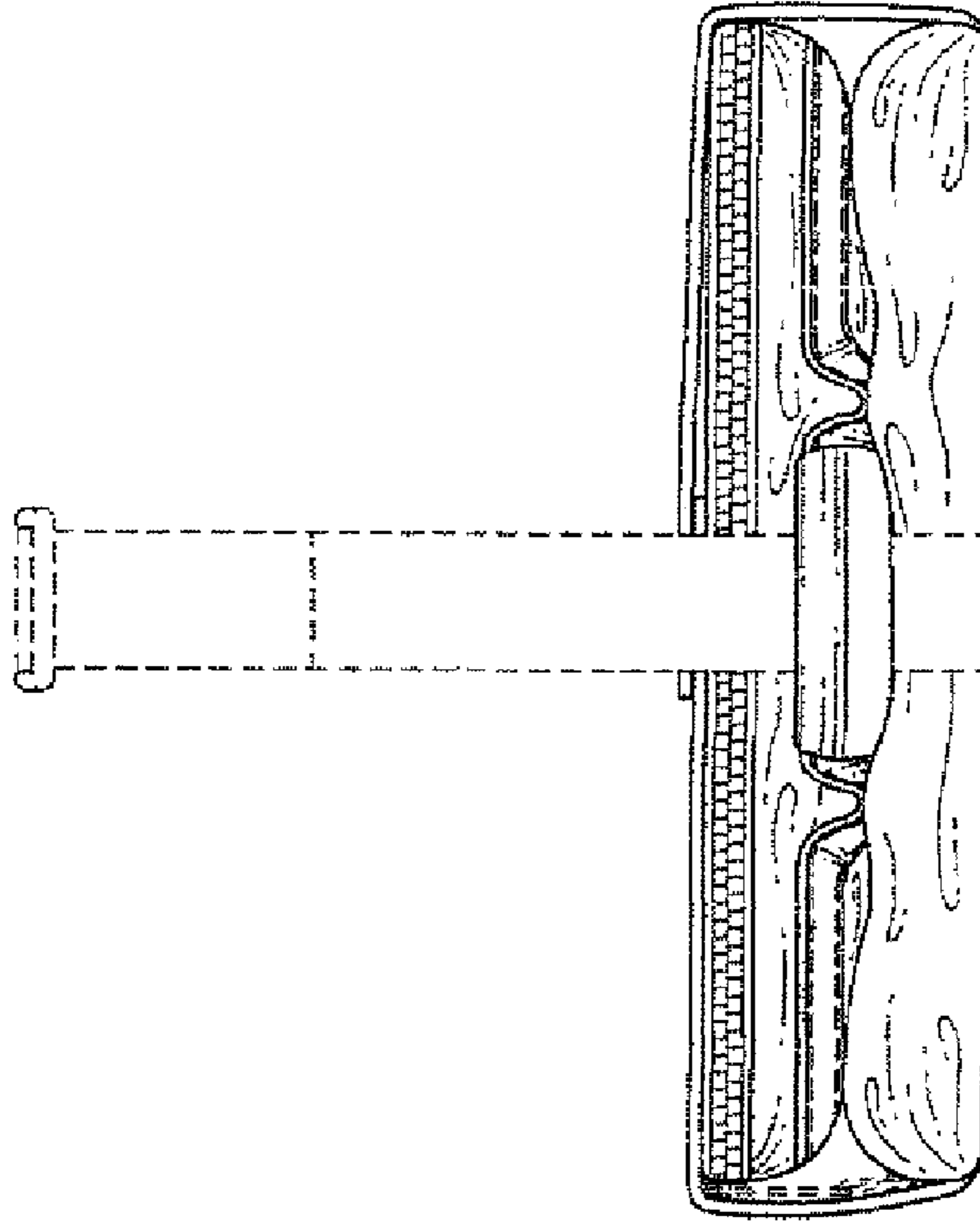


FIG. 11

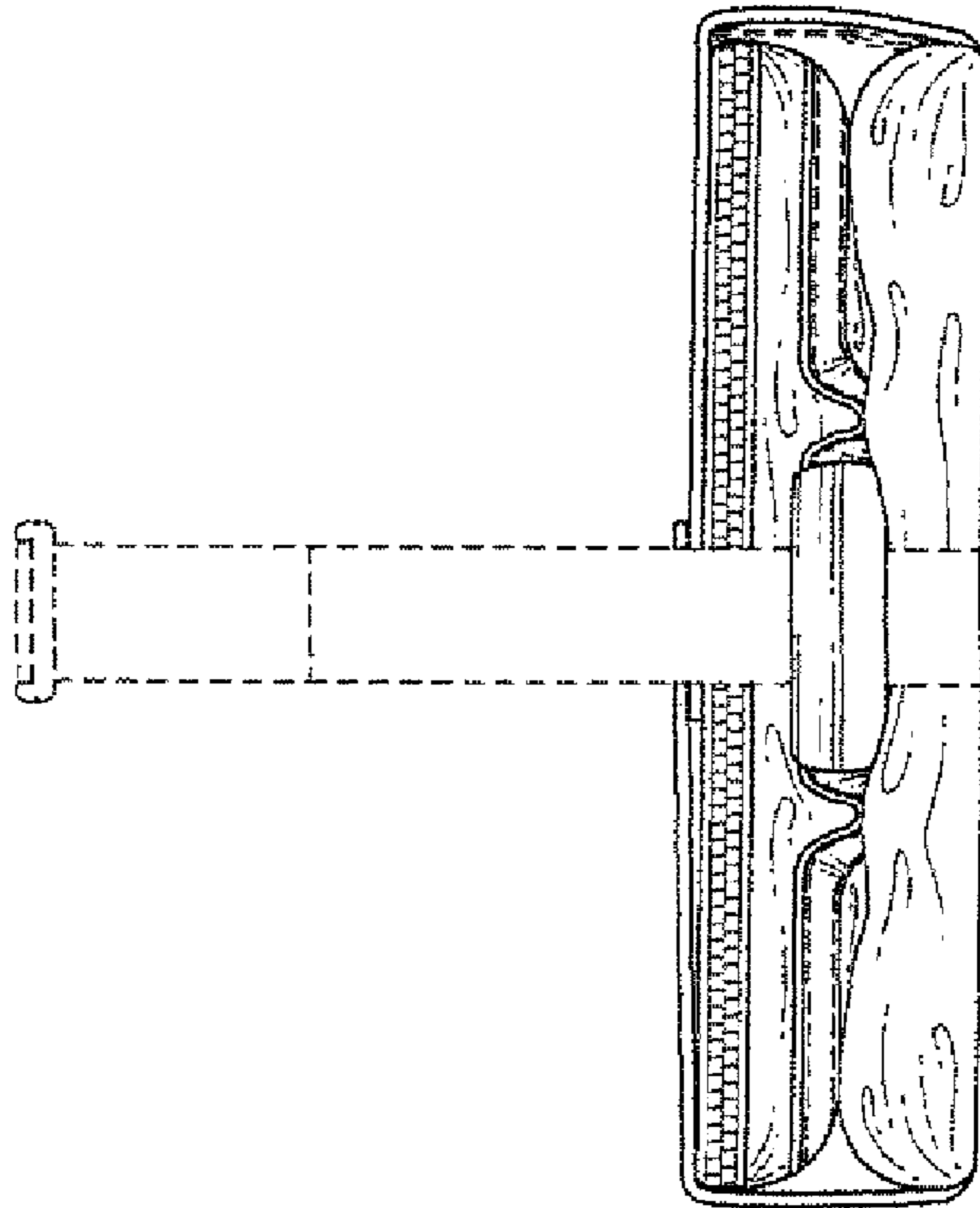


FIG. 13

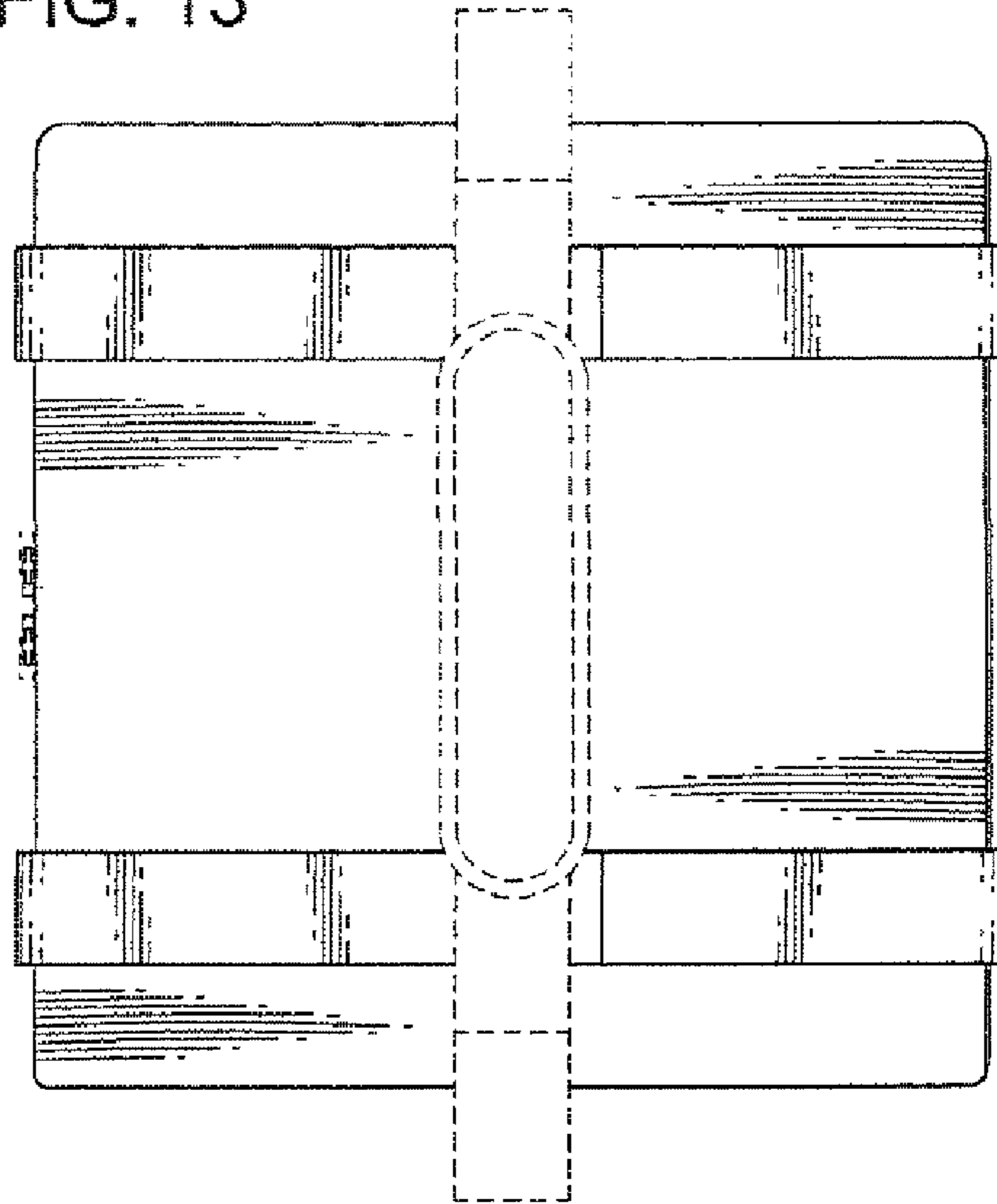


FIG. 14

