



US00D619853S

(12) **United States Design Patent**  
**Saravis**

(10) **Patent No.:** **US D619,853 S**

(45) **Date of Patent:** **\*\* Jul. 20, 2010**

(54) **FLUID DISPENSER**

(75) Inventor: **Darren Saravis**, Long Beach, CA (US)

(73) Assignee: **Nectar, Inc.**, Long Beach, CA (US)

(\*\*) Term: **14 Years**

(21) Appl. No.: **29/303,762**

(22) Filed: **Feb. 15, 2008**

(51) **LOC (9) Cl.** ..... **07-06**

(52) **U.S. Cl.** ..... **D7/598**

(58) **Field of Classification Search** ..... D7/598,  
D7/316, 317, 510, 511; D9/542, 516, 682,  
D9/686-691, 447, 454; 220/495.03, 4.03;  
215/381-382, 386, 12.1, 11.1  
See application file for complete search history.

(56) **References Cited**

**U.S. PATENT DOCUMENTS**

- D395,597 S \* 6/1998 Lamb ..... D9/688
- D437,548 S \* 2/2001 Desgrippes et al. .... D9/688
- D438,902 S \* 3/2001 O'Shei et al. .... D9/454

D508,411 S \* 8/2005 Lamb et al. .... D9/689

\* cited by examiner

*Primary Examiner*—Terry A Wallace

(74) *Attorney, Agent, or Firm*—The Eclipse Group LLP

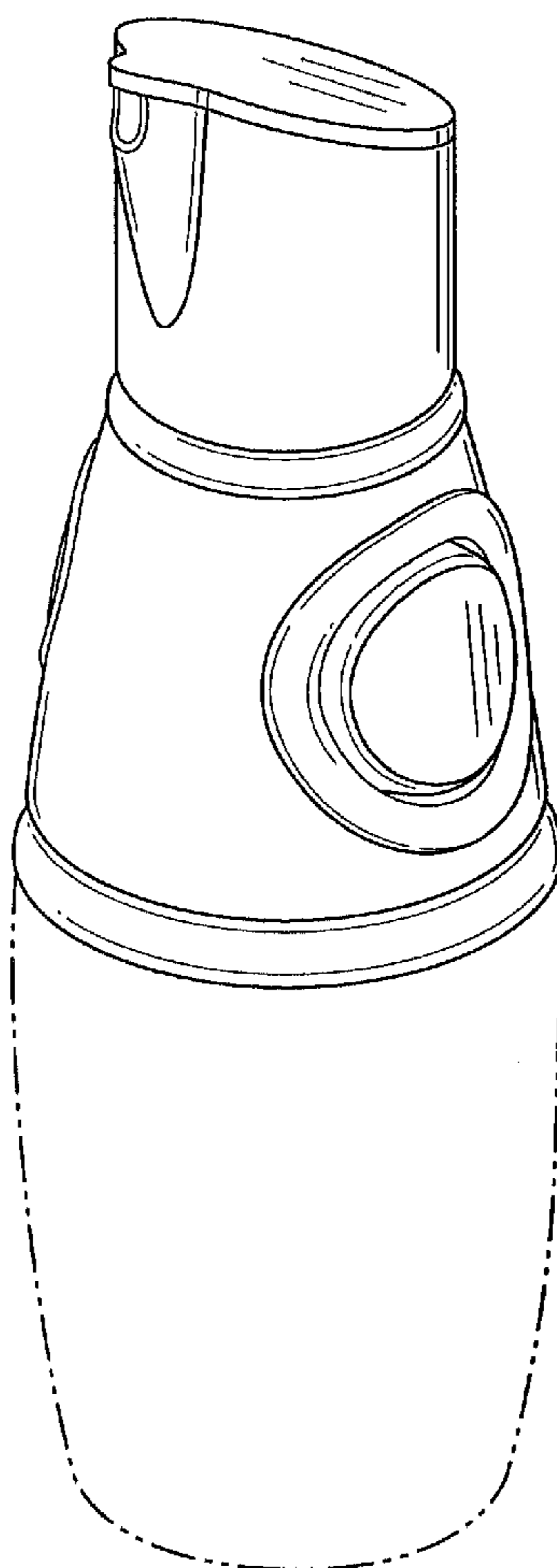
(57) **CLAIM**

I claim the ornamental design for a fluid dispenser, as shown and described.

**DESCRIPTION**

FIG. 1 is a perspective view of a fluid dispenser.  
 FIG. 2 is a front view of the fluid dispenser of FIG. 1.  
 FIG. 3 is a right-side view of the fluid dispenser of FIG. 1.  
 FIG. 4 is a rear view of the fluid dispenser of FIG. 1.  
 FIG. 5 is a left-side view of the fluid dispenser of FIG. 1.  
 FIG. 6 is a top plan view of the fluid dispenser of FIG. 1; and,  
 FIG. 7 is a bottom plan view of the fluid dispenser of FIG. 1.  
 The broken lines in the Figures are for the purpose of illustration and form no part of the claimed design.

**1 Claim, 6 Drawing Sheets**



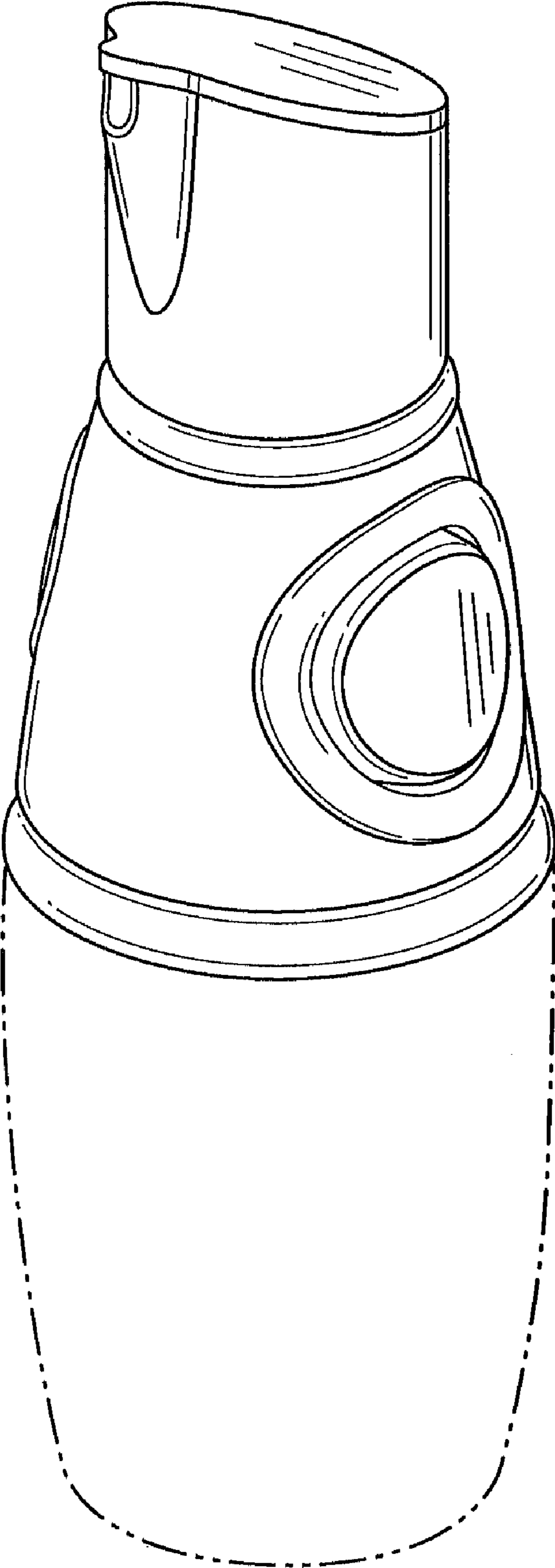


Fig. 1

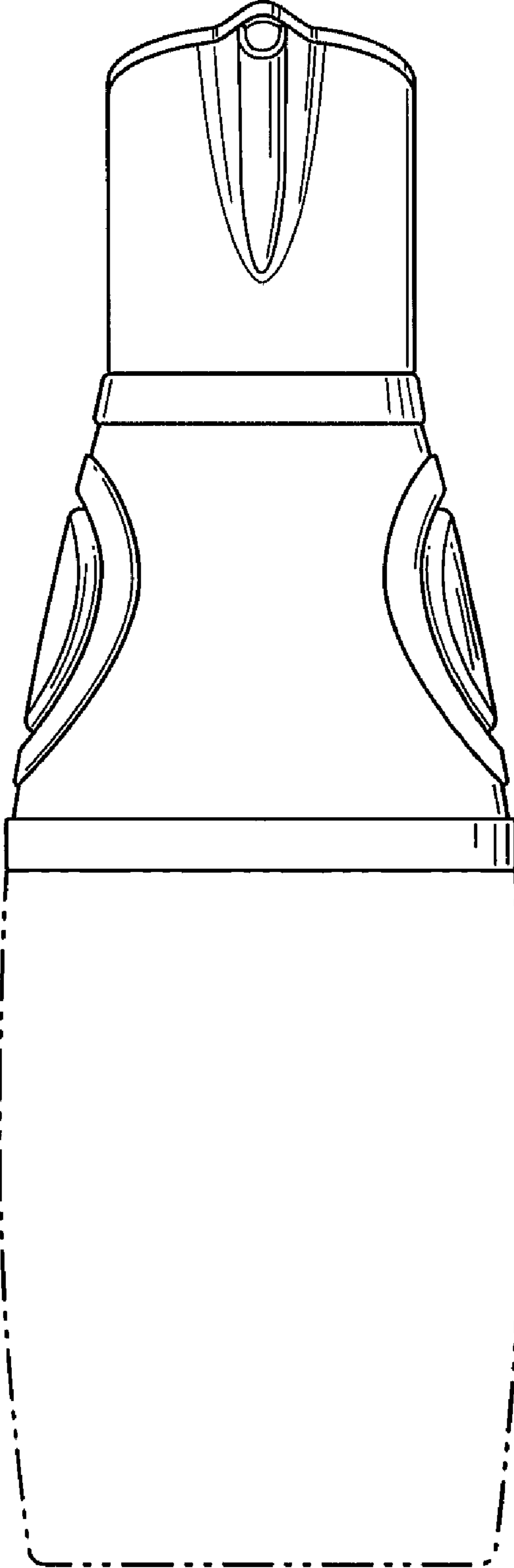


Fig. 2

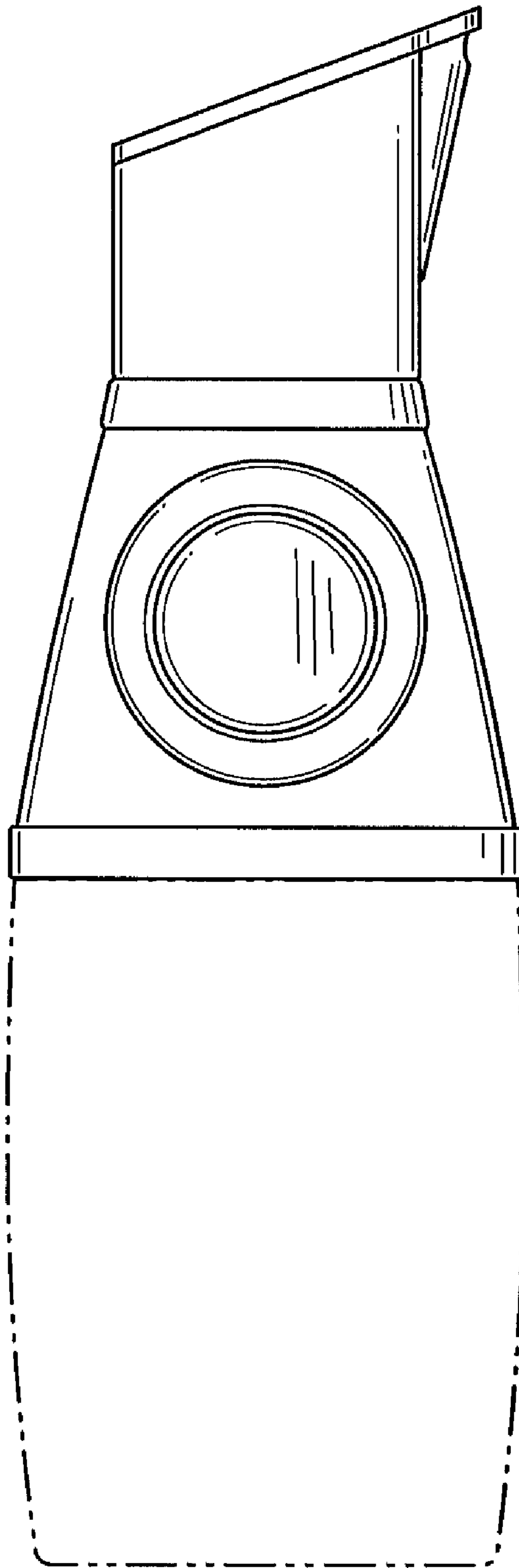


Fig. 3

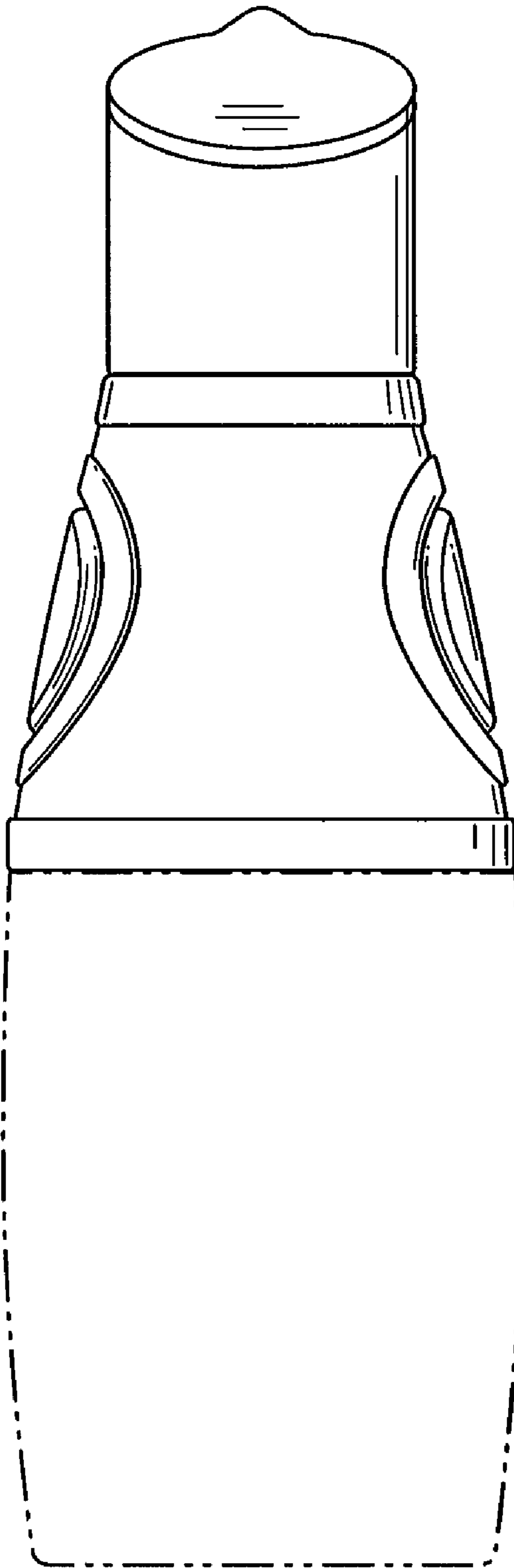


Fig. 4

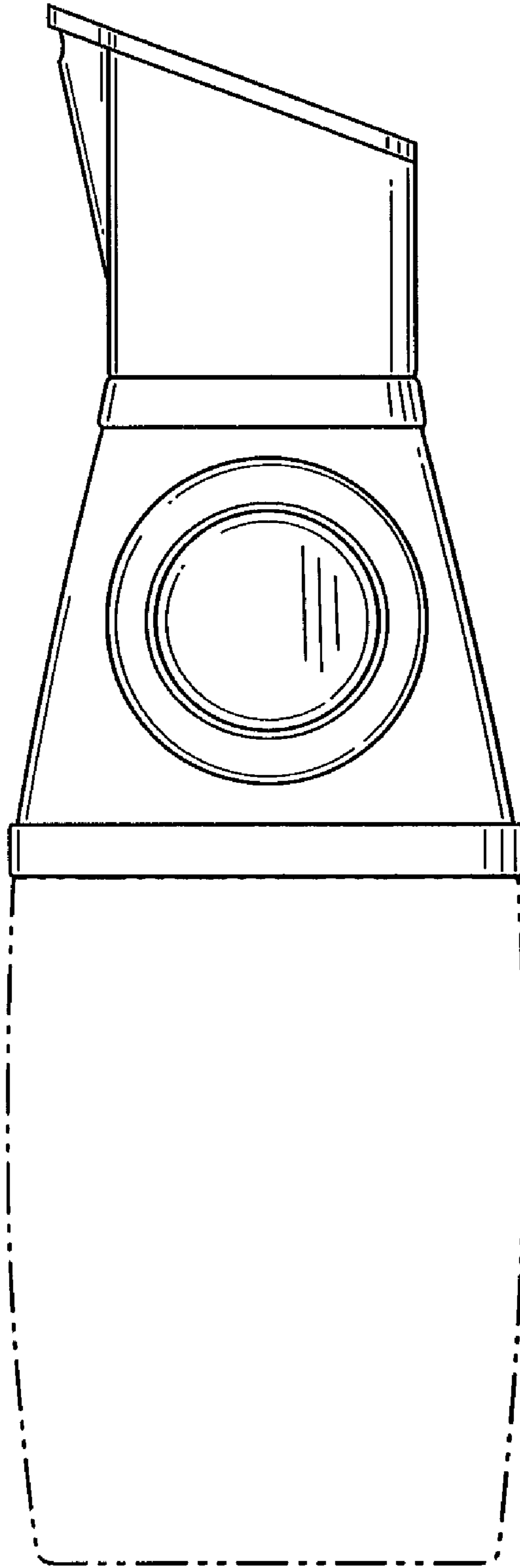


Fig. 5

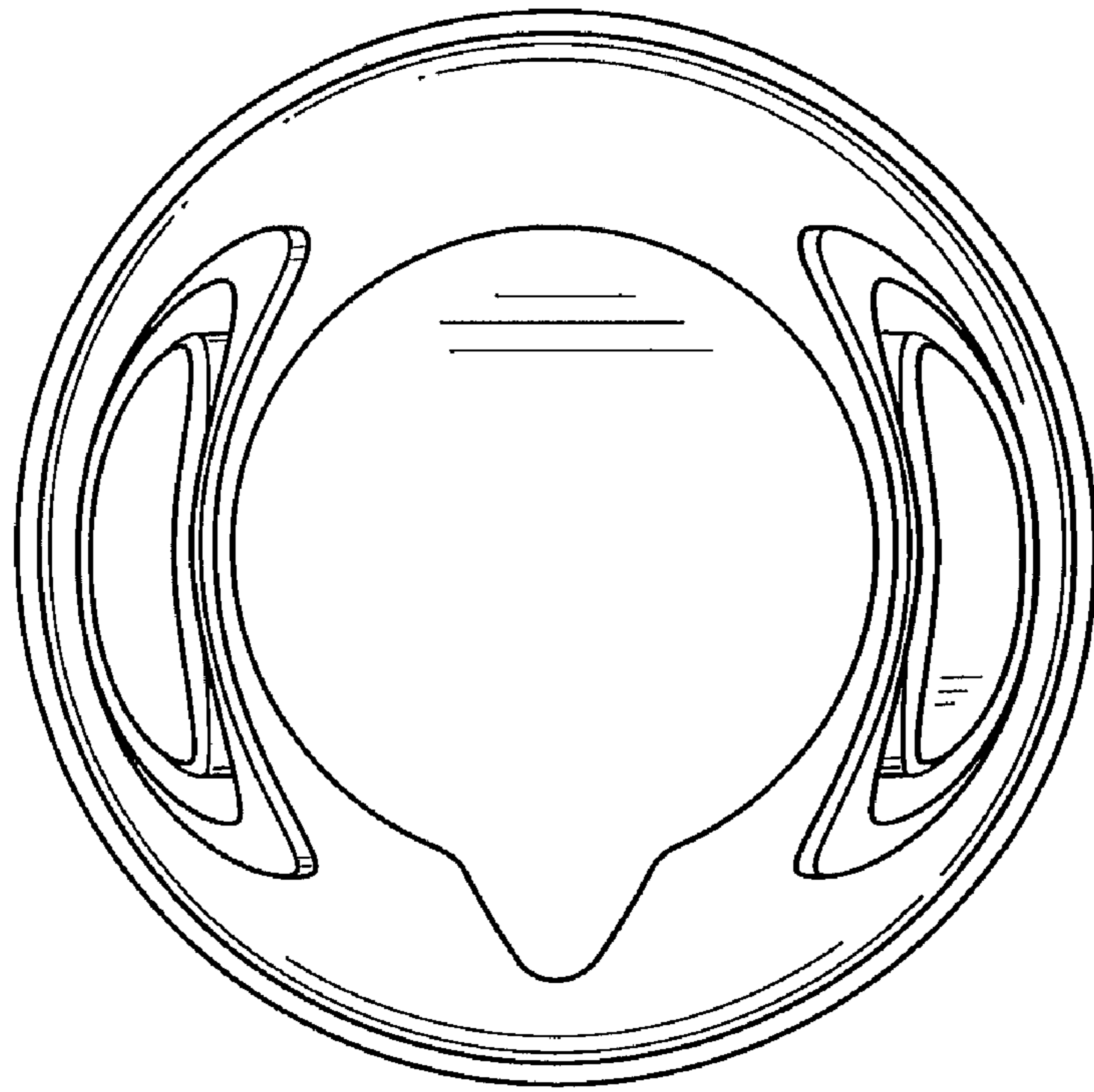


Fig. 6

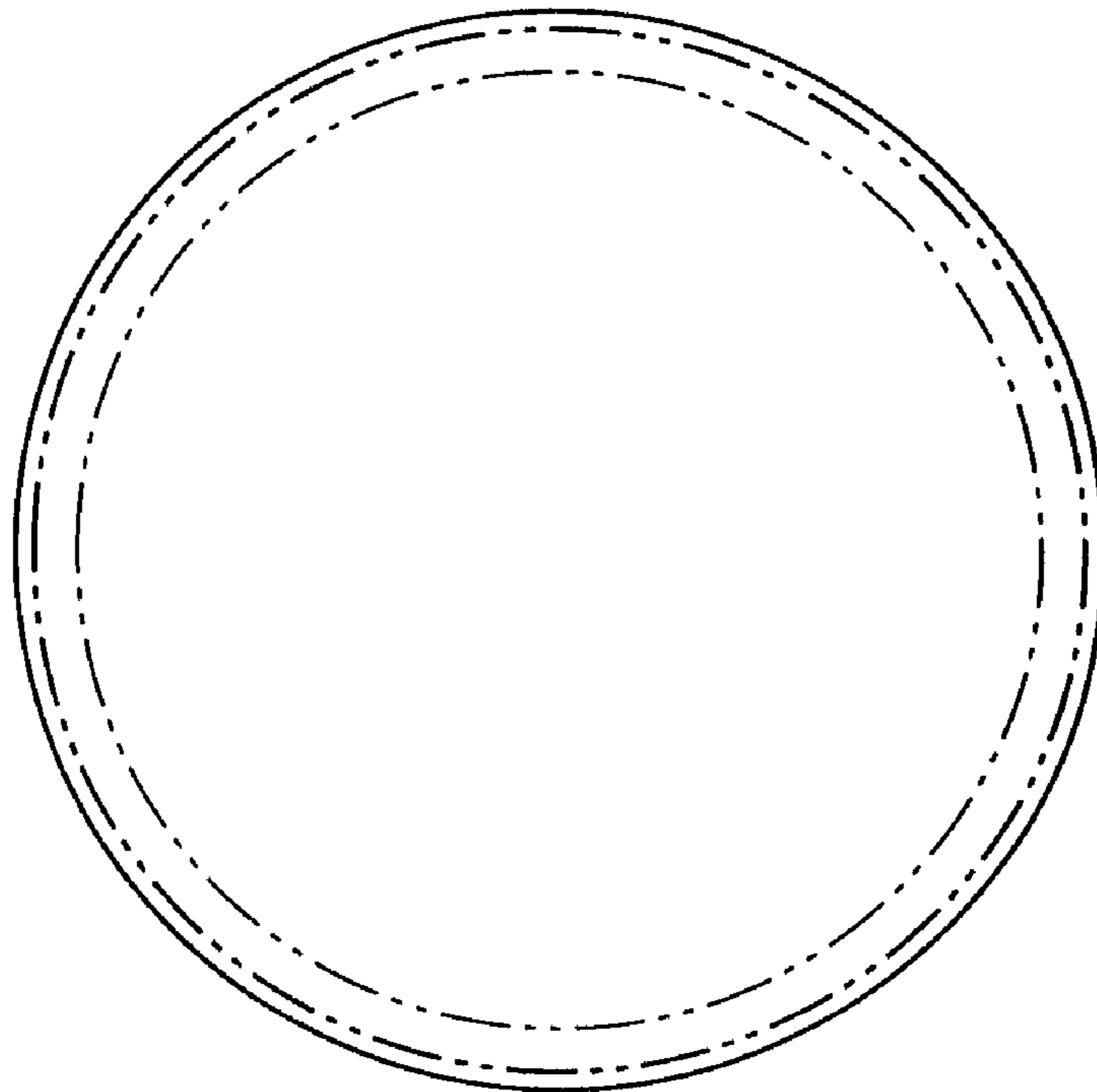


Fig. 7