



US00D619851S

(12) **United States Design Patent**
Miller et al.

(10) **Patent No.:** **US D619,851 S**
(45) **Date of Patent:** **** Jul. 20, 2010**

(54) **TRAINING CUP**
(75) Inventors: **Charles H. Miller**, Barnhart, MO (US);
Phil Holsinger, Duluth, MN (US);
Roger Avery, Cumberland, RI (US)
(73) Assignee: **Handi-Craft Company**, St. Louis, MO
(US)

(**) Term: **14 Years**

(21) Appl. No.: **29/337,517**

(22) Filed: **May 22, 2009**

(51) **LOC (9) Cl.** **07-01**

(52) **U.S. Cl.** **D7/510; D7/511; D7/534;**
D24/197

(58) **Field of Classification Search** **D7/534,**
D7/533, 510, 511; D9/533; 215/11.1; 220/710.5,
220/714, 717, 703; D24/197

See application file for complete search history.

(56) **References Cited**

U.S. PATENT DOCUMENTS

3,915,331 A	10/1975	Chenault	
4,623,069 A	11/1986	White	
4,993,568 A	2/1991	Morifuji et al.	
D315,213 S *	3/1991	Ohnuki	D24/197
5,071,017 A	12/1991	Stull	
5,079,013 A	1/1992	Belanger	
5,101,991 A	4/1992	Morifuji et al.	
5,101,992 A	4/1992	Serre	
5,186,347 A	2/1993	Freeman et al.	
D368,529 S *	4/1996	Allegre	D24/197
5,542,670 A	8/1996	Morano	
5,570,796 A	11/1996	Brown et al.	
5,598,809 A	2/1997	McInnes	
5,667,084 A	9/1997	Duggal et al.	
5,690,679 A	11/1997	Prentiss	
5,706,973 A	1/1998	Robbins, III et al.	
5,747,083 A	5/1998	Raymond et al.	
5,779,071 A	7/1998	Brown et al.	
5,791,503 A	8/1998	Lyons	
5,890,619 A	4/1999	Belanger	
5,890,620 A	4/1999	Belcastro	
5,890,621 A	4/1999	Bachman et al.	

5,950,857 A	9/1999	Rosen	
5,988,425 A	11/1999	Yehl et al.	
6,037,872 A	3/2000	Dunnum	
6,050,445 A	4/2000	Manganiello	
D425,994 S *	5/2000	Hakim	D24/197
6,079,589 A	6/2000	Matsuyama et al.	
D429,312 S	8/2000	Poirier et al.	
6,102,244 A	8/2000	Kuwano et al.	
6,102,245 A	8/2000	Haberman	
6,116,457 A	9/2000	Haberman	
D433,729 S	11/2000	Poirier et al.	
RE37,016 E	1/2001	Morano	

(Continued)

Primary Examiner—Marianne Pandozzi

(74) *Attorney, Agent, or Firm*—Armstrong Teasdale LLP

(57) **CLAIM**

The ornamental design for a training cup, as shown and described.

DESCRIPTION

FIG. 1 is a perspective view of a training cup showing a first embodiment of our new design;

FIG. 2 is a front elevation thereof;

FIG. 3 is a rear elevation thereof;

FIG. 4 is a right side elevation thereof, the left side elevation being substantially the same as the right side elevation;

FIG. 5 is a top plan view thereof; and

FIG. 6 is a bottom plan view thereof;

FIG. 7 is a perspective view of a training cup showing a second embodiment of our new design;

FIG. 8 is a front elevation thereof;

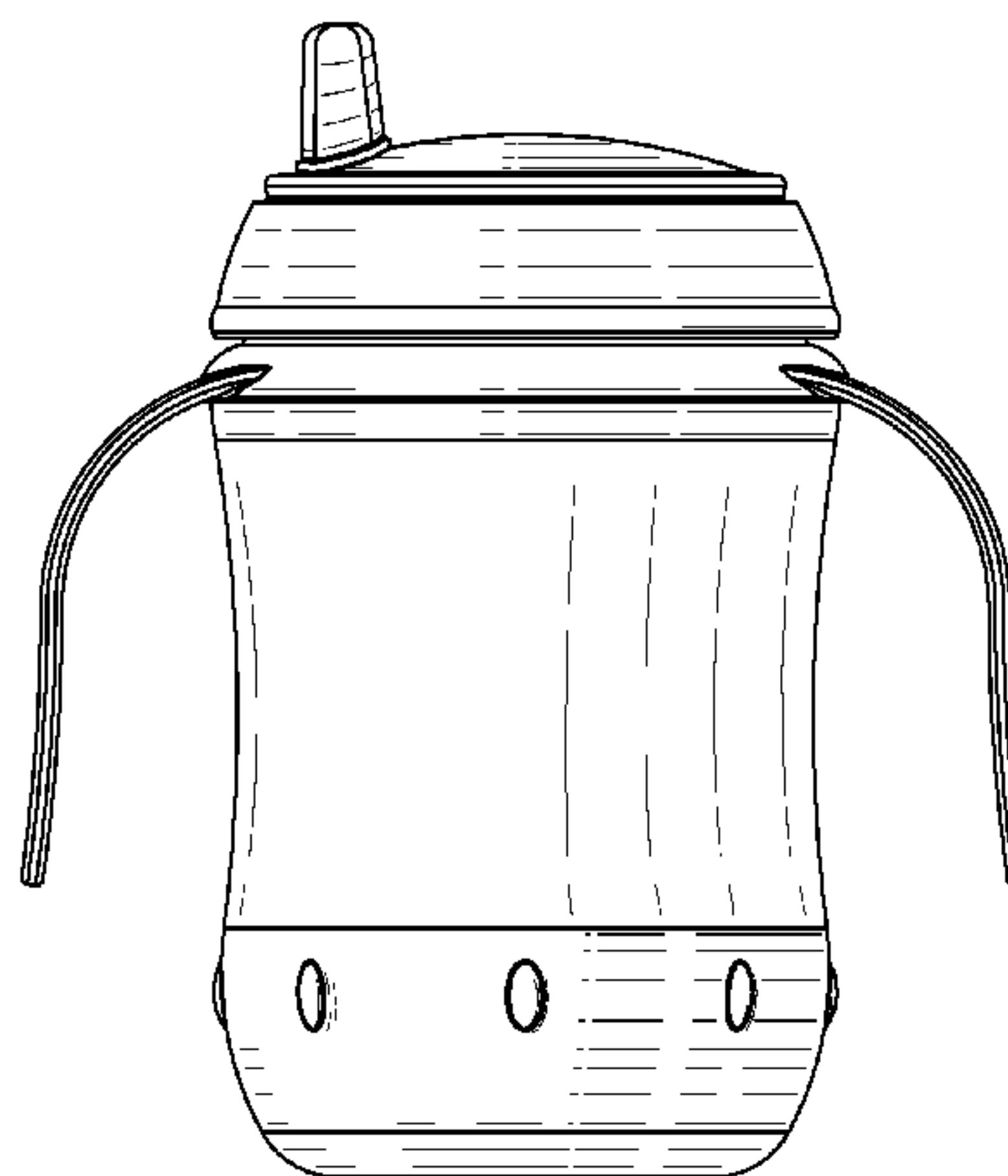
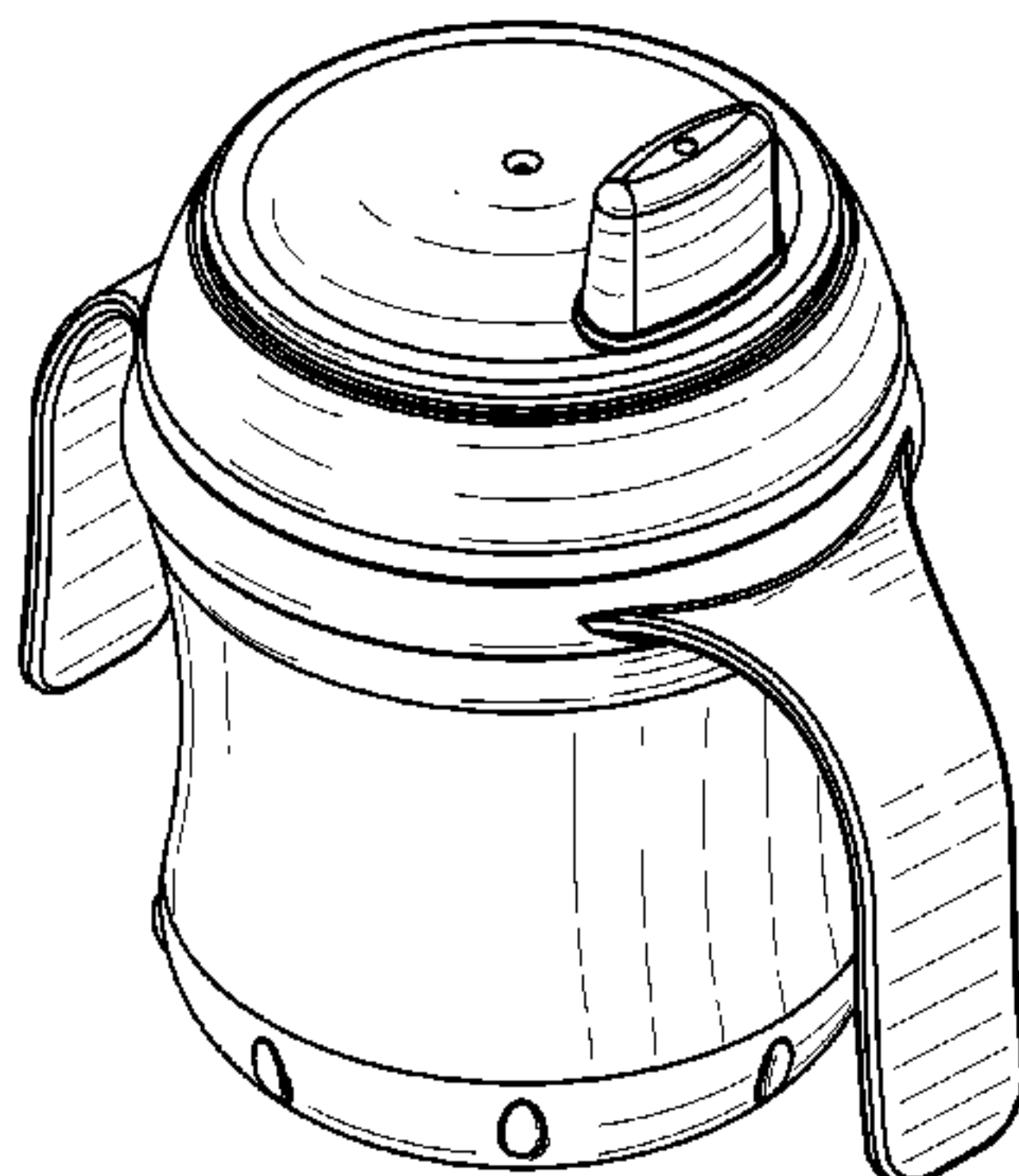
FIG. 9 is a rear elevation thereof;

FIG. 10 is a right side elevation thereof, the left side elevation being substantially the same as the right side elevation;

FIG. 11 is a top plan view thereof; and,

FIG. 12 is a bottom plan view thereof.

1 Claim, 12 Drawing Sheets



US D619,851 S

Page 2

U.S. PATENT DOCUMENTS

6,202,877 B1	3/2001	La Torre et al.		RE38,692 E	2/2005	Wong	
D441,087 S *	4/2001	Johansen et al.	D24/197	D515,867 S *	2/2006	Randolph et al.	D7/396.2
6,230,923 B1	5/2001	Hung		7,108,676 B2	9/2006	Loging	
6,260,731 B1	7/2001	Cummings		D538,939 S *	3/2007	Conaway et al.	D24/197
6,269,968 B1	8/2001	Belcastro		7,243,814 B2	7/2007	Hakim	
D448,242 S	9/2001	McDonough et al.		D551,021 S *	9/2007	Rouso et al.	D7/510
D448,976 S	10/2001	McDonough et al.		D555,428 S	11/2007	Tulett	
6,305,570 B1	10/2001	Atkin et al.		D559,622 S *	1/2008	Carreno	D7/510
D450,535 S	11/2001	McDonough et al.		D559,624 S *	1/2008	Carreno	D7/534
6,321,931 B1 *	11/2001	Hakim et al.	220/714	D589,153 S *	3/2009	Rosales	D24/197
6,325,236 B1	12/2001	Wong		7,562,789 B2 *	7/2009	Randolph et al.	220/710.5
D454,642 S *	3/2002	Hakim	D24/197	7,575,126 B2	8/2009	Kemper	
6,357,620 B1	3/2002	Hakim		2001/0020623 A1	9/2001	McDonough et al.	
6,365,202 B1	4/2002	Ida et al.		2001/0027956 A1	10/2001	Bonacorso et al.	
6,422,415 B1	7/2002	Manganiello		2001/0035420 A1	11/2001	Fusco et al.	
6,502,418 B2	1/2003	Holley, Jr.		2002/0033399 A1	3/2002	Manganiello et al.	
6,508,379 B1	1/2003	Van De Pol-Klein Nagelvoort et al.		2002/0158075 A1	10/2002	Caldicott et al.	
6,513,379 B2	2/2003	Meyers et al.		2002/0179615 A1	12/2002	Hakim	
6,565,743 B1	5/2003	Poirier et al.		2002/0185495 A1	12/2002	Manganiello	
6,568,557 B2	5/2003	Fusco et al.		2003/0209555 A1	11/2003	Belcastro	
D476,849 S *	7/2003	Randolph	D7/510	2004/0099674 A1	5/2004	McDonough et al.	
6,607,092 B2	8/2003	Manganiello et al.		2004/0124170 A1	7/2004	Sherrod	
6,609,630 B1	8/2003	Freeman et al.		2004/0173623 A1	9/2004	Yuen	
6,629,624 B2	10/2003	Stillinger et al.		2004/0222229 A1	11/2004	Gabbard	
6,631,823 B2	10/2003	Stillinger et al.		2005/0045647 A1	3/2005	Hession et al.	
6,631,832 B2	10/2003	Wan et al.		2005/0072788 A1	4/2005	Lieberman et al.	
6,644,510 B2	11/2003	Kawolics et al.		2005/0098567 A1	5/2005	Randolph	
6,685,042 B2	2/2004	McIntyre et al.		2005/0167438 A1	8/2005	Minyayev	
6,732,882 B2	5/2004	Belcastro		2005/0205589 A1	9/2005	Davis et al.	
6,758,364 B1	7/2004	Rohrig		2006/0037963 A1	2/2006	Pillado	
6,783,020 B2	8/2004	Featherston et al.		2006/0151499 A1	7/2006	Lieberman et al.	
6,786,352 B2	9/2004	Belcastro		2006/0169694 A1	8/2006	Kemper	
				2007/0138121 A1	6/2007	Stribling et al.	

* cited by examiner

FIG. 1

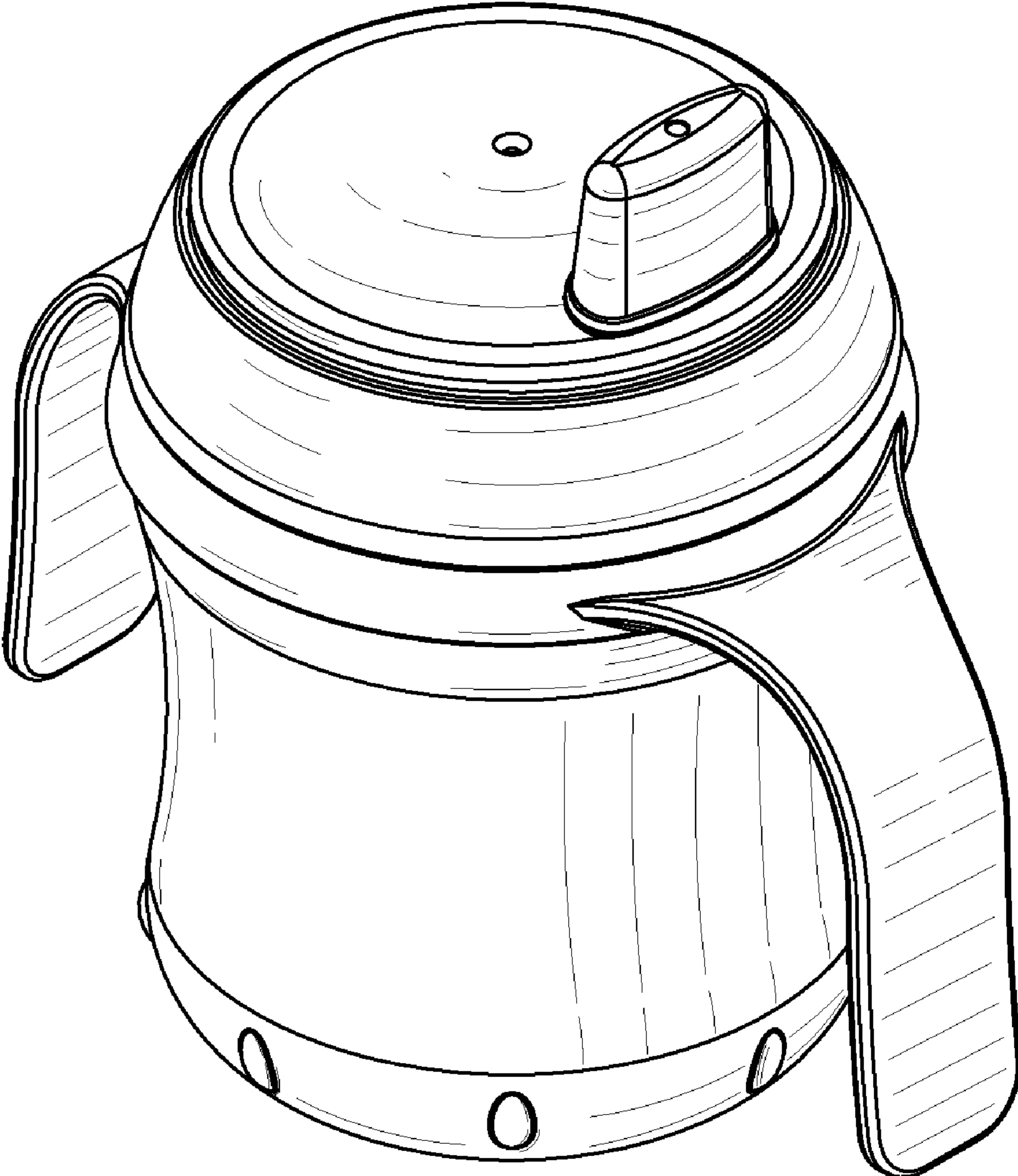


FIG. 2

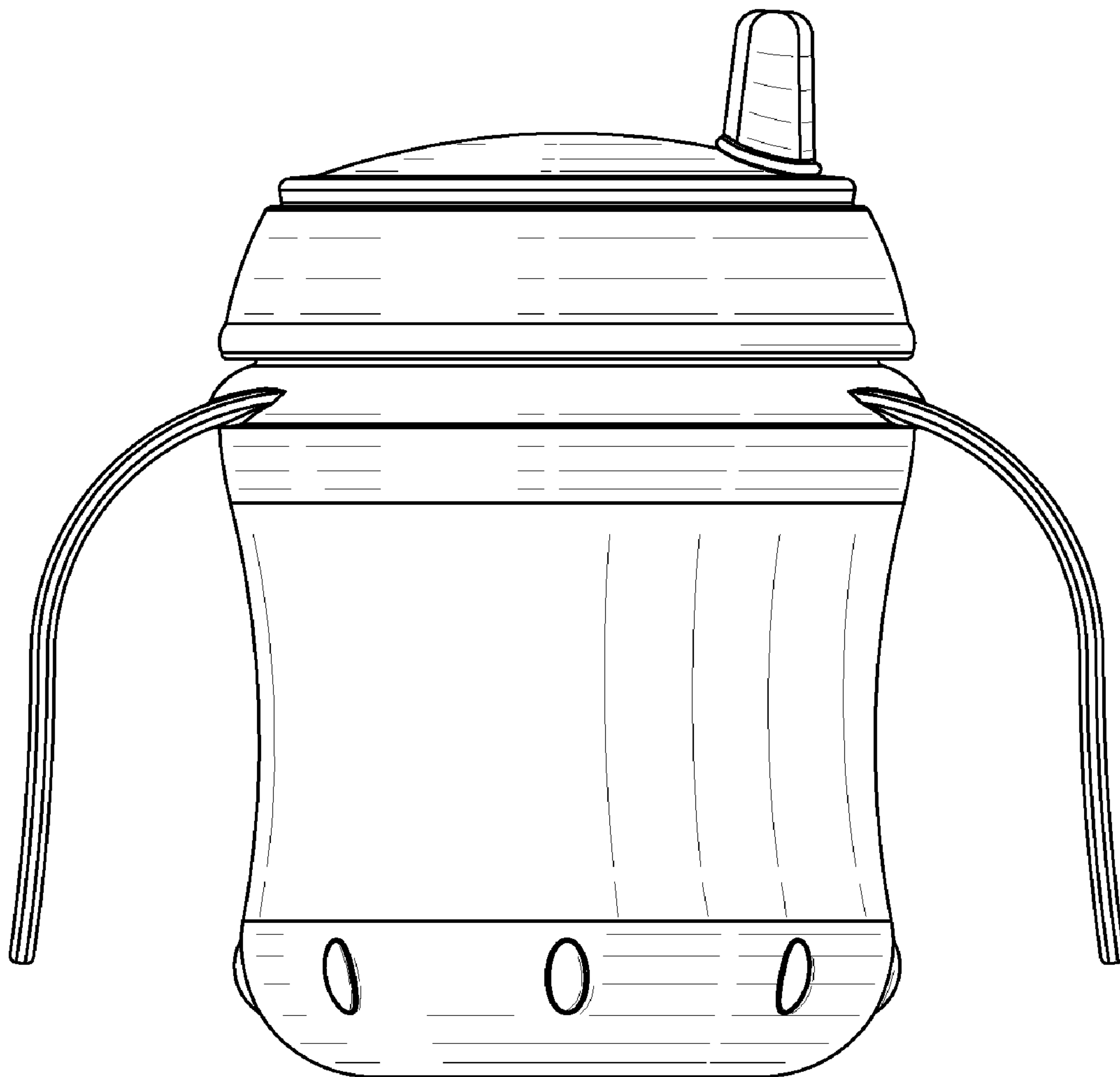


FIG. 3

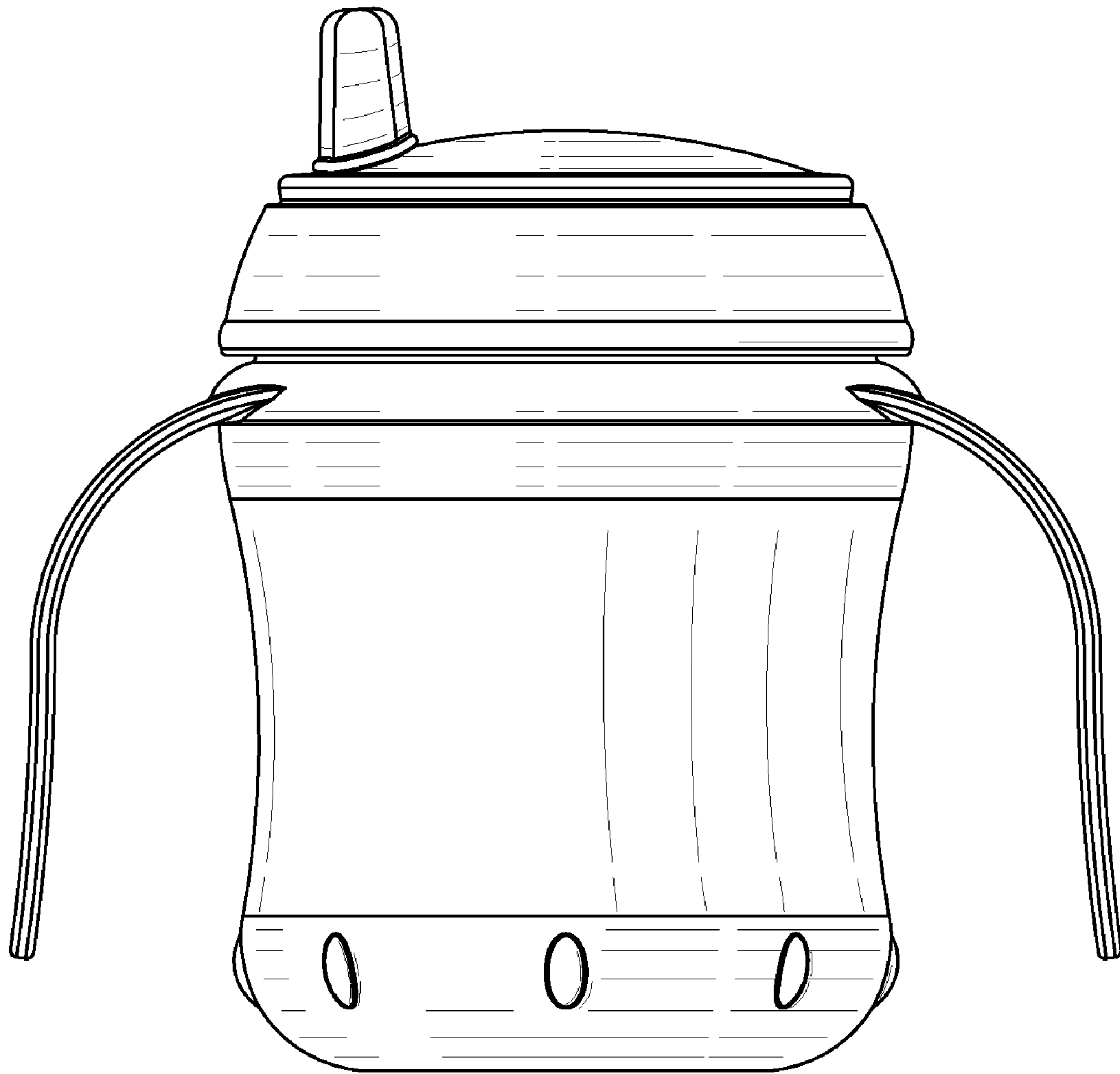


FIG. 4

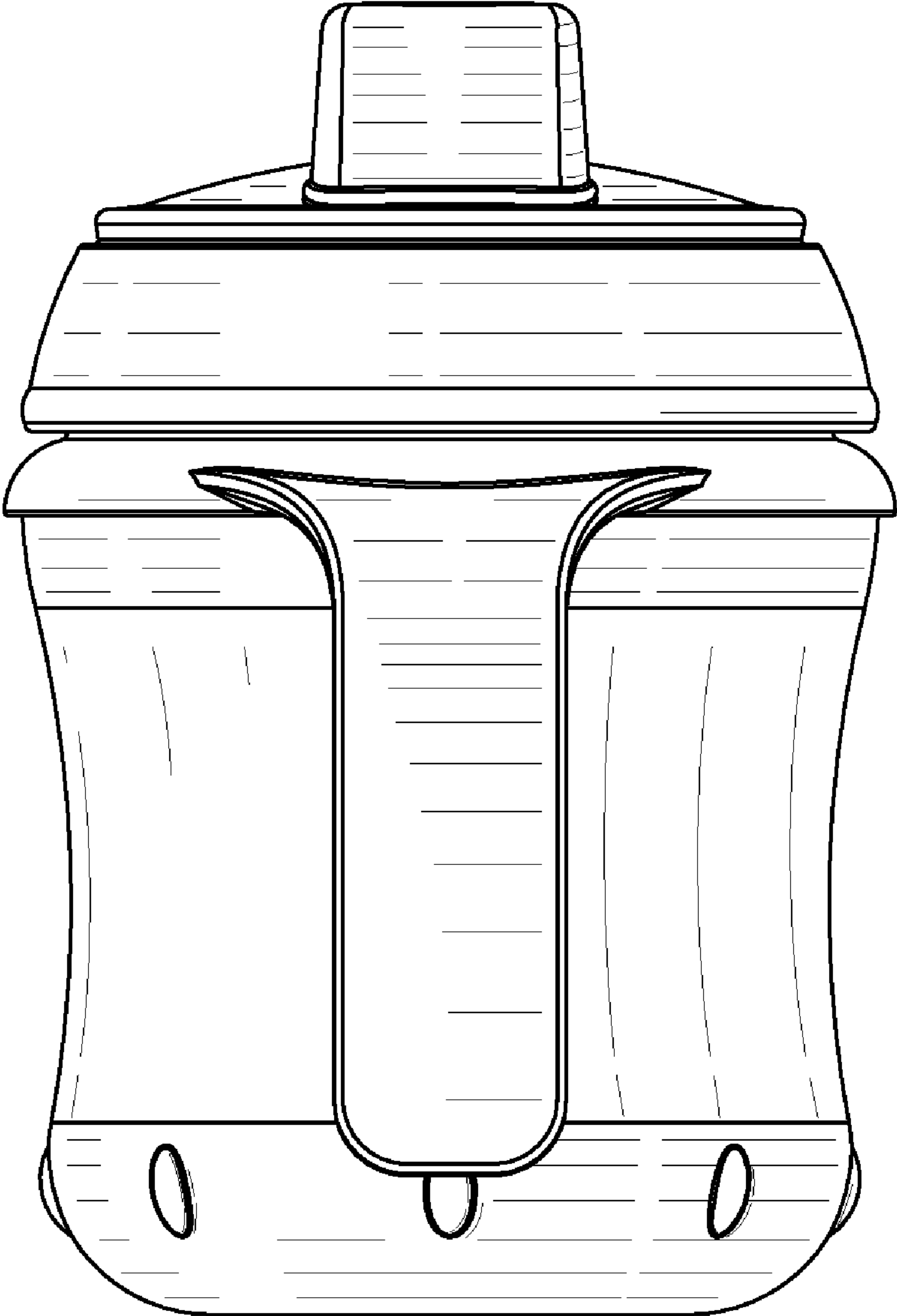


FIG. 5

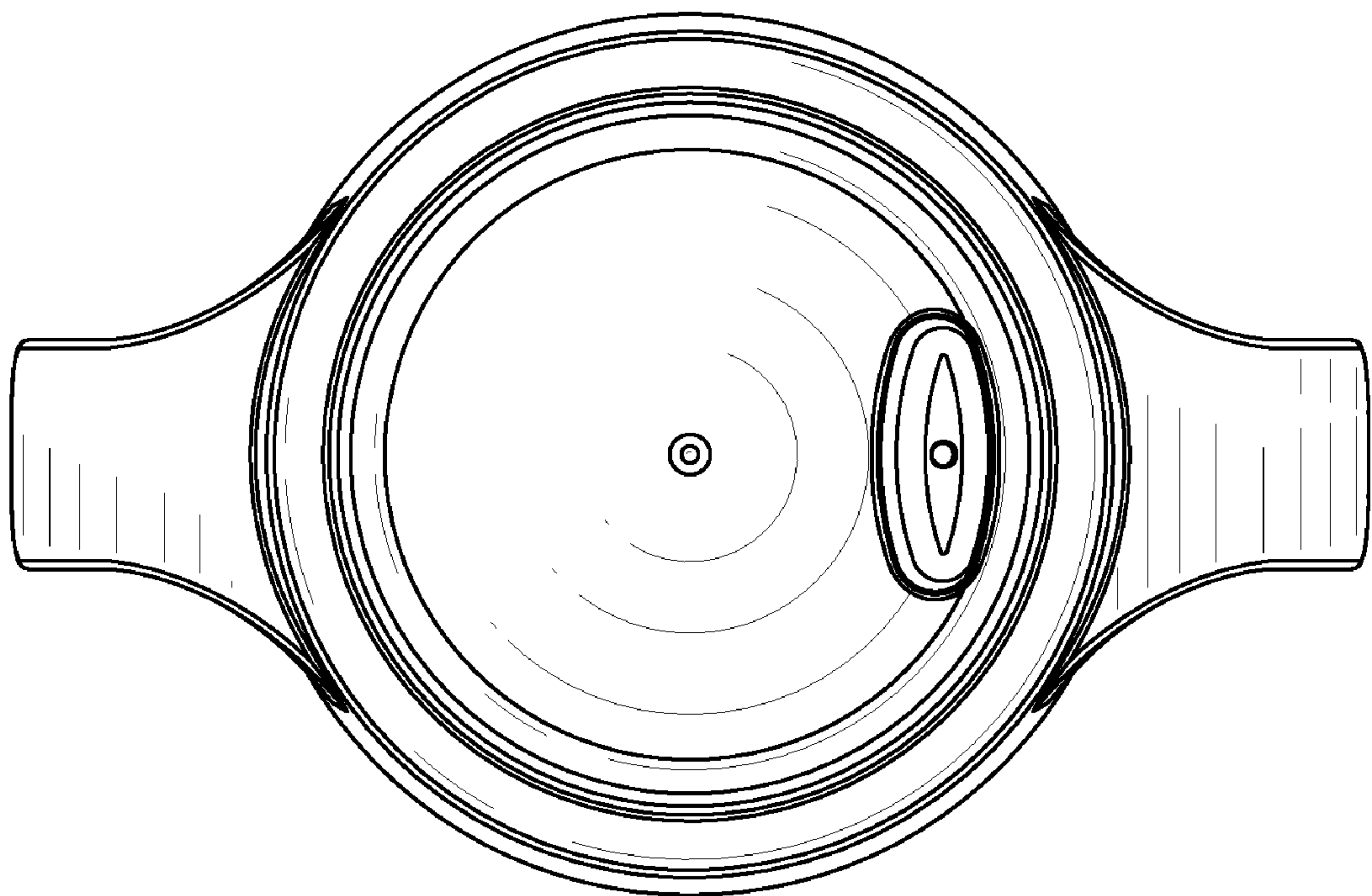


FIG. 6

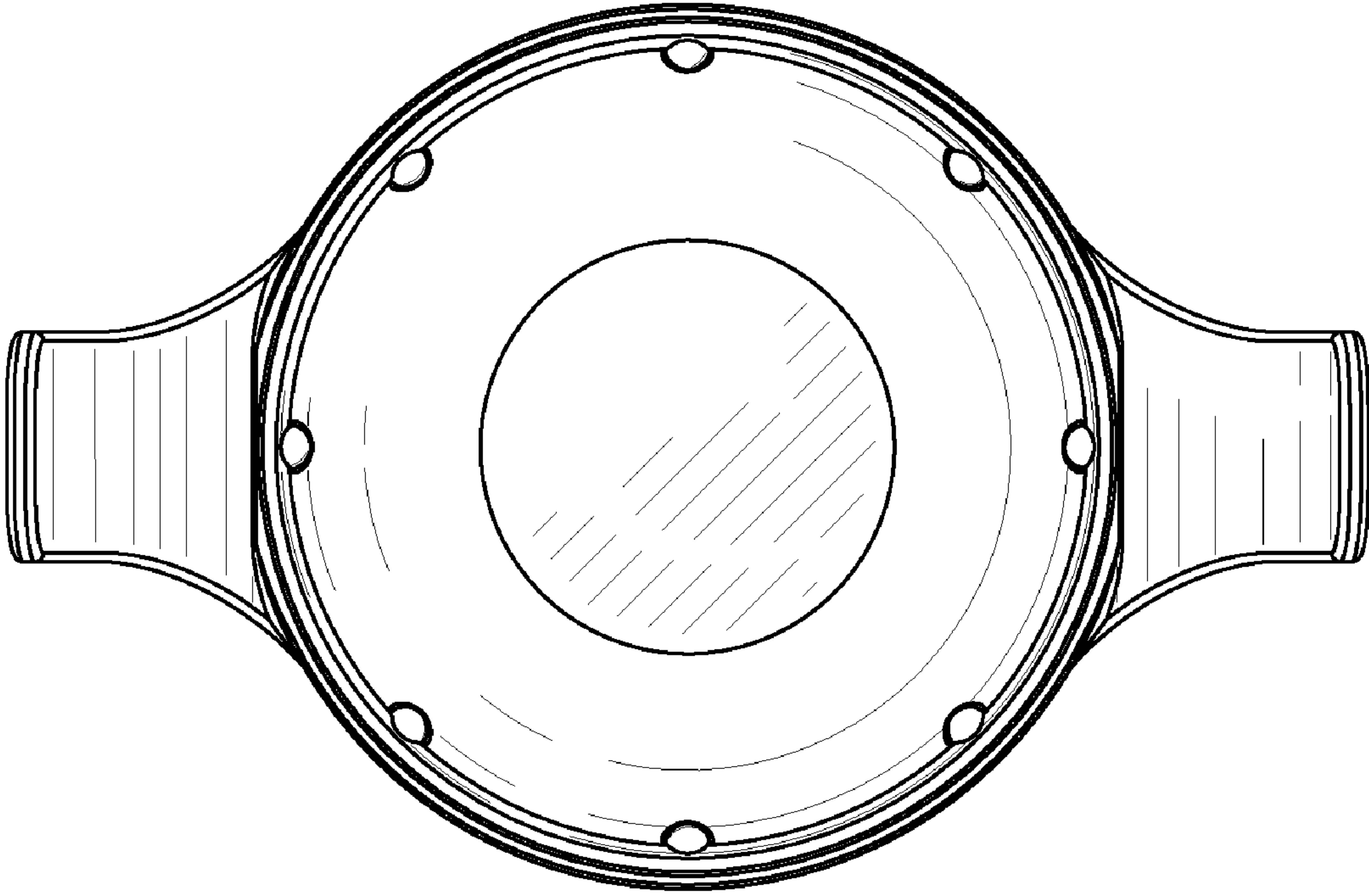


FIG. 7

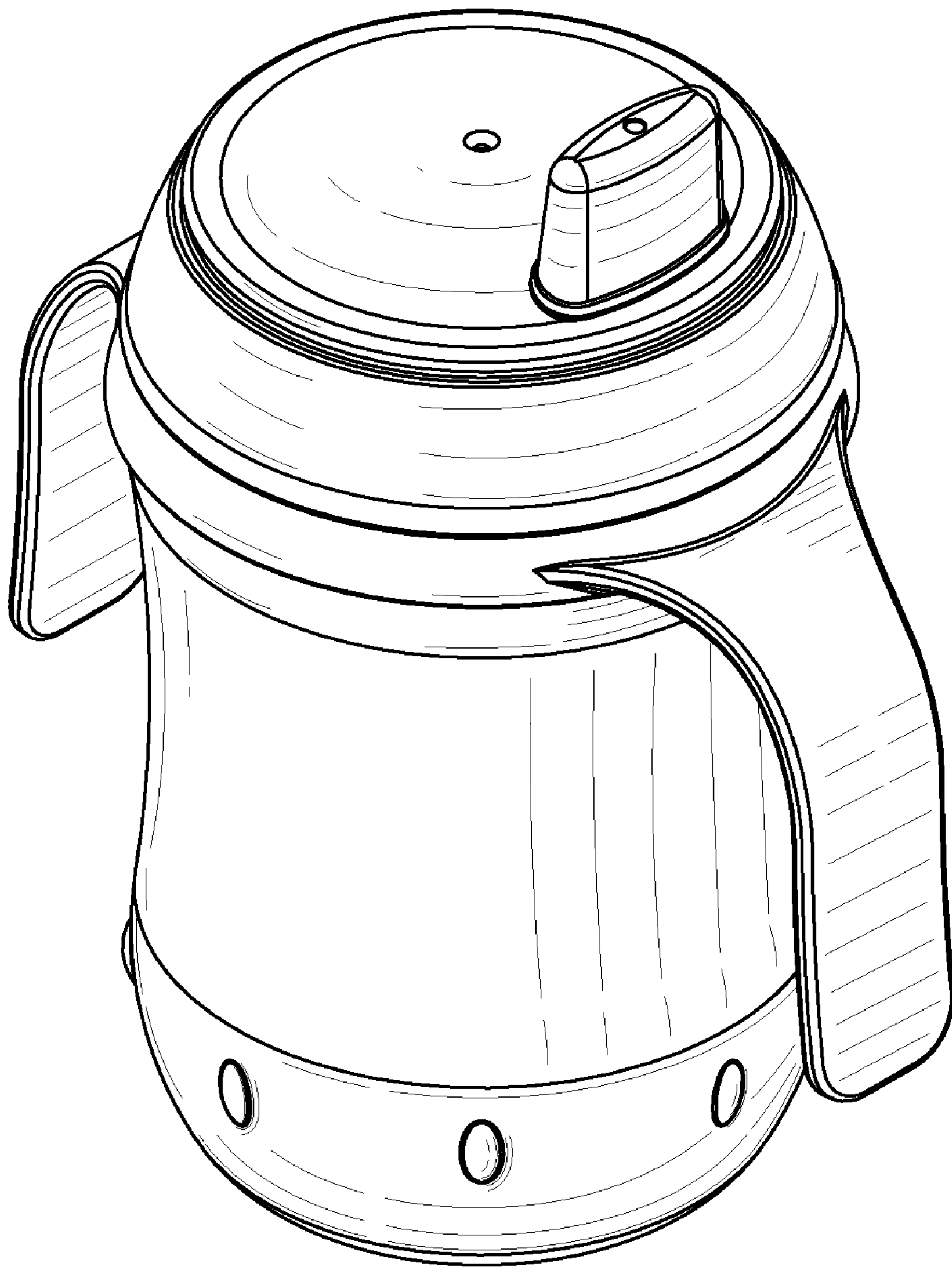


FIG. 8

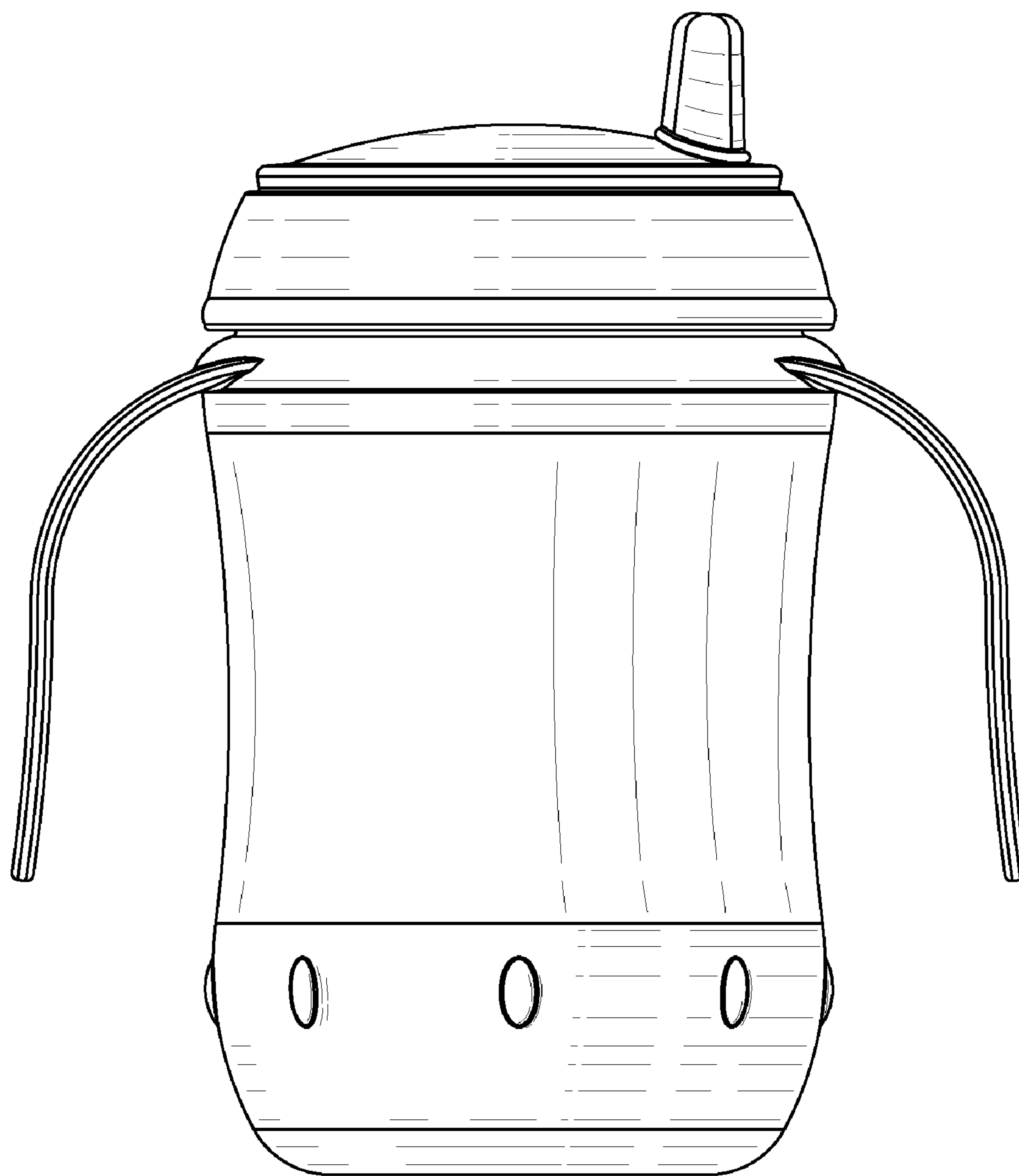


FIG. 9

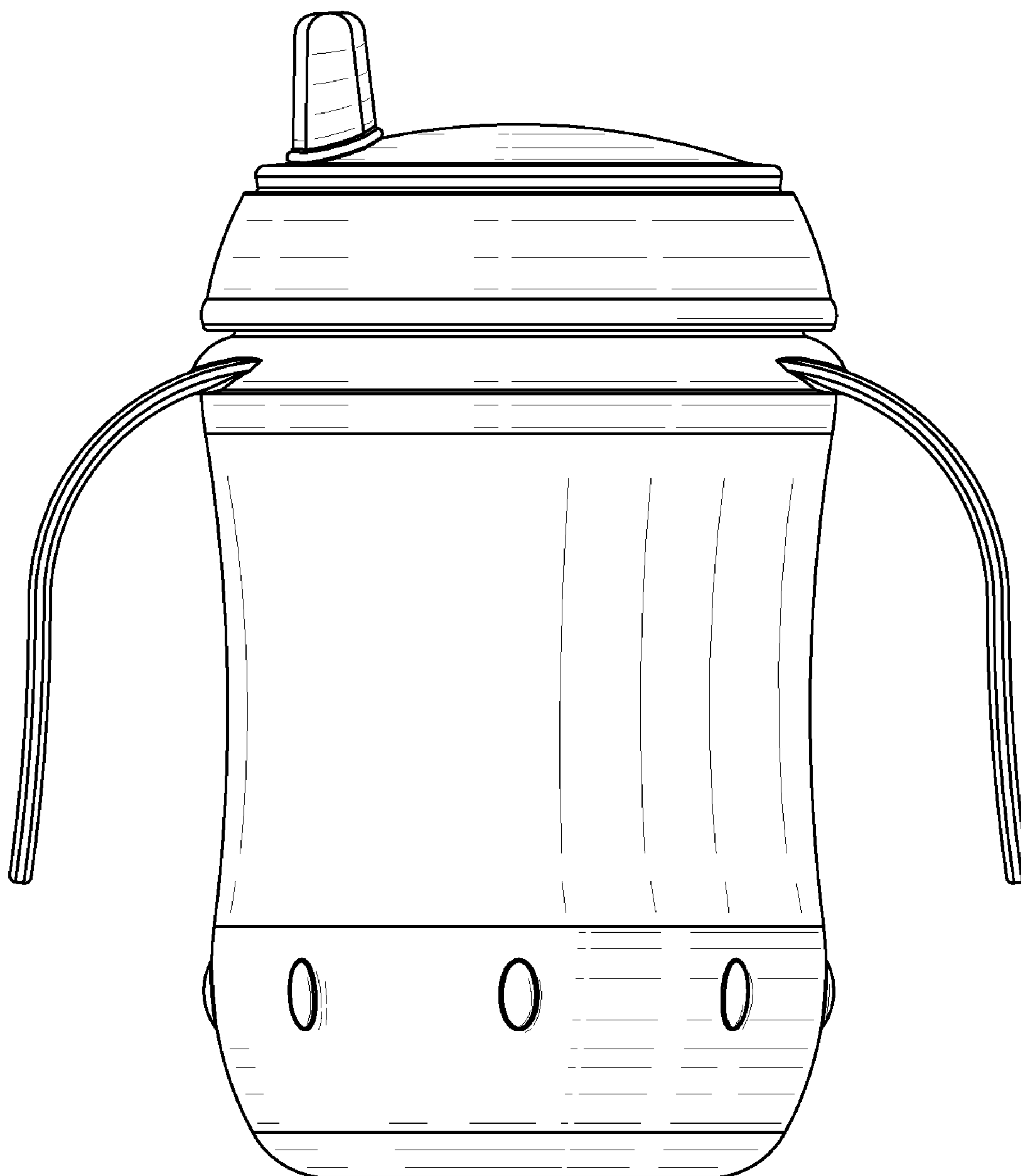


FIG. 10

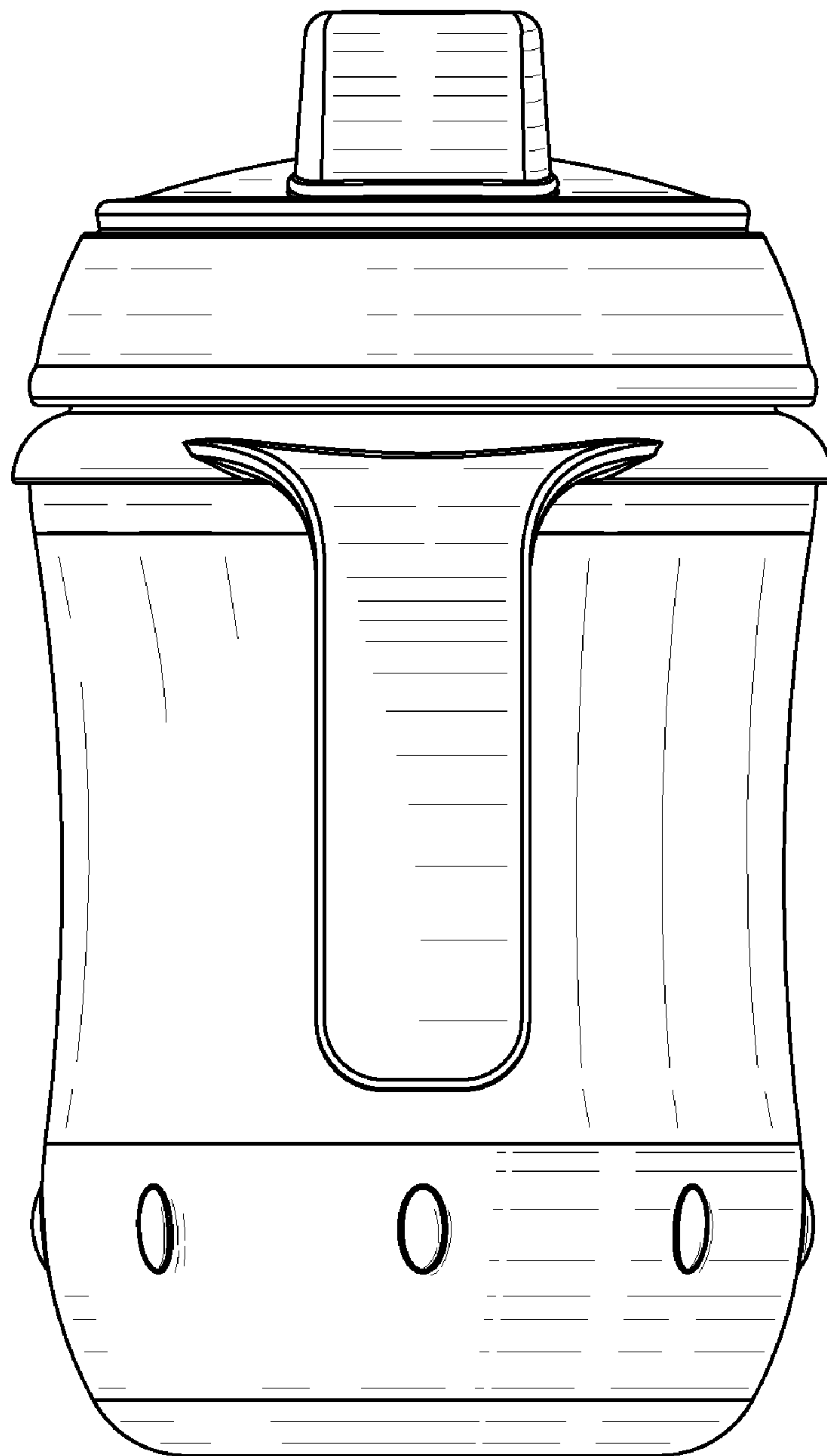


FIG. 11

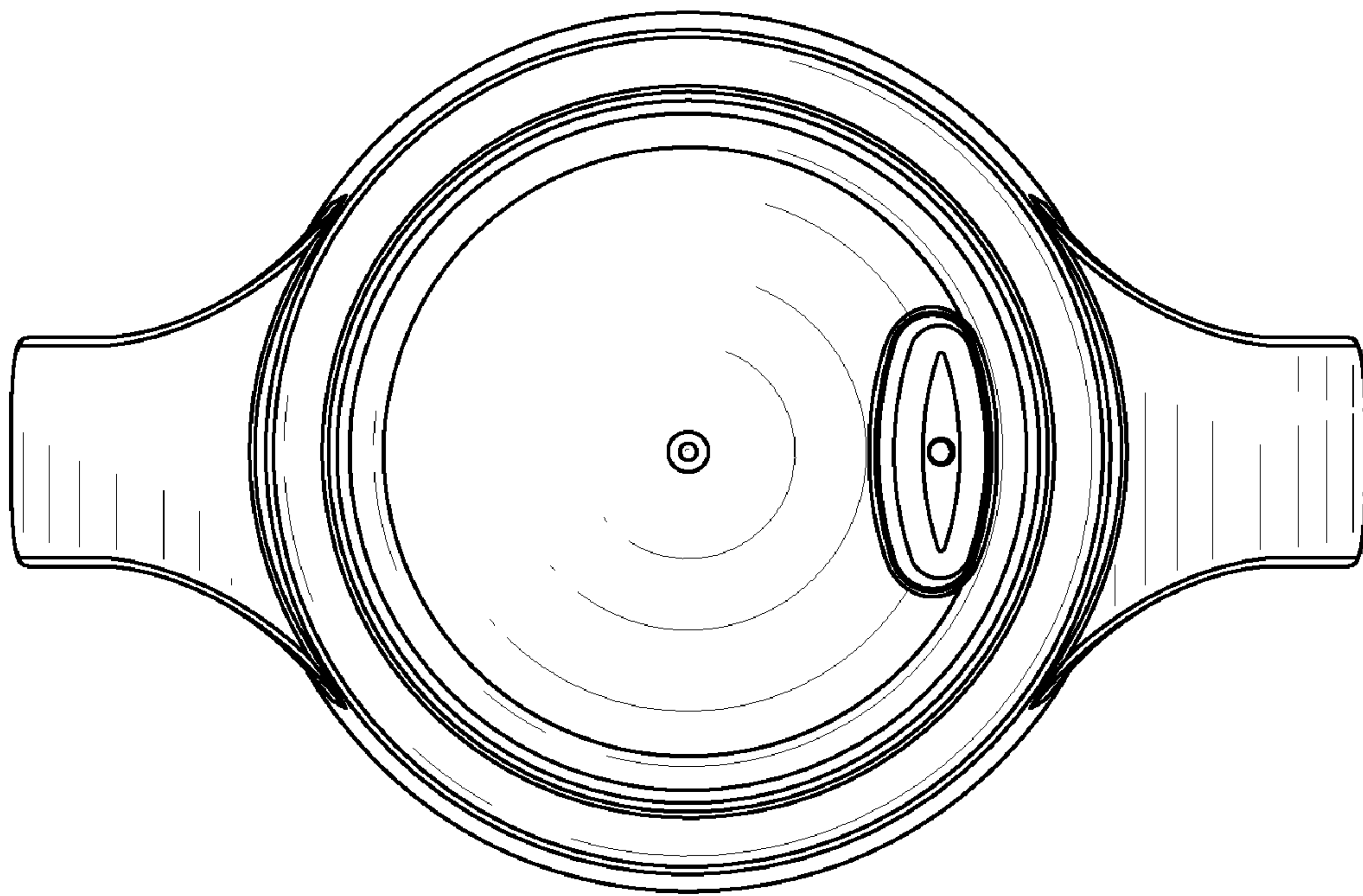


FIG. 12

