



US00D619849S

(12) **United States Design Patent**  
**Power**

(10) **Patent No.:** **US D619,849 S**

(45) **Date of Patent:** **\*\* Jul. 20, 2010**

(54) **TAP HANDLE**

D485,121 S \* 1/2004 Ahlgrim et al. .... D7/398

(75) Inventor: **Julian Power**, Seattle, WA (US)

\* cited by examiner

(73) Assignee: **Taphandles, Inc.**, Seattle, WA (US)

*Primary Examiner*—Marianne Pandozzi

(\*\*) Term: **14 Years**

(57) **CLAIM**

(21) Appl. No.: **29/350,365**

The ornamental design for a tap handle, as shown and described.

(22) Filed: **Nov. 16, 2009**

**DESCRIPTION**

(51) **LOC (9) Cl.** ..... **07-99**

(52) **U.S. Cl.** ..... **D7/398; D7/397**

(58) **Field of Classification Search** ..... D7/313,  
D7/397, 398, 393, 395; D8/107; 220/400.7;  
222/145.7, 148, 113

See application file for complete search history.

FIG. 1 is a front left perspective view of a tap handle showing my new design;

FIG. 2 is a front right perspective view of my new design for a tap handle;

FIG. 3 is a front view of my new design for a tap handle;

FIG. 4 is a right side view of my new design for a tap handle;

FIG. 5 is a rear view of my new design for a tap handle;

FIG. 6 is a top view of my new design for a tap handle; and,

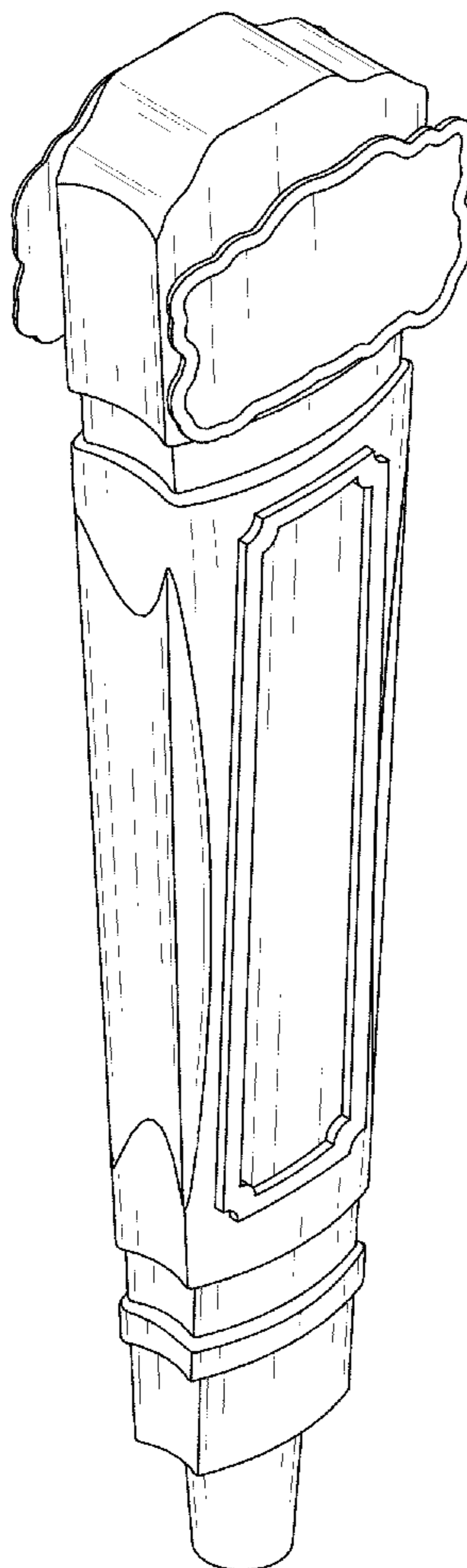
FIG. 7 is a bottom view of my new design for a tap handle.

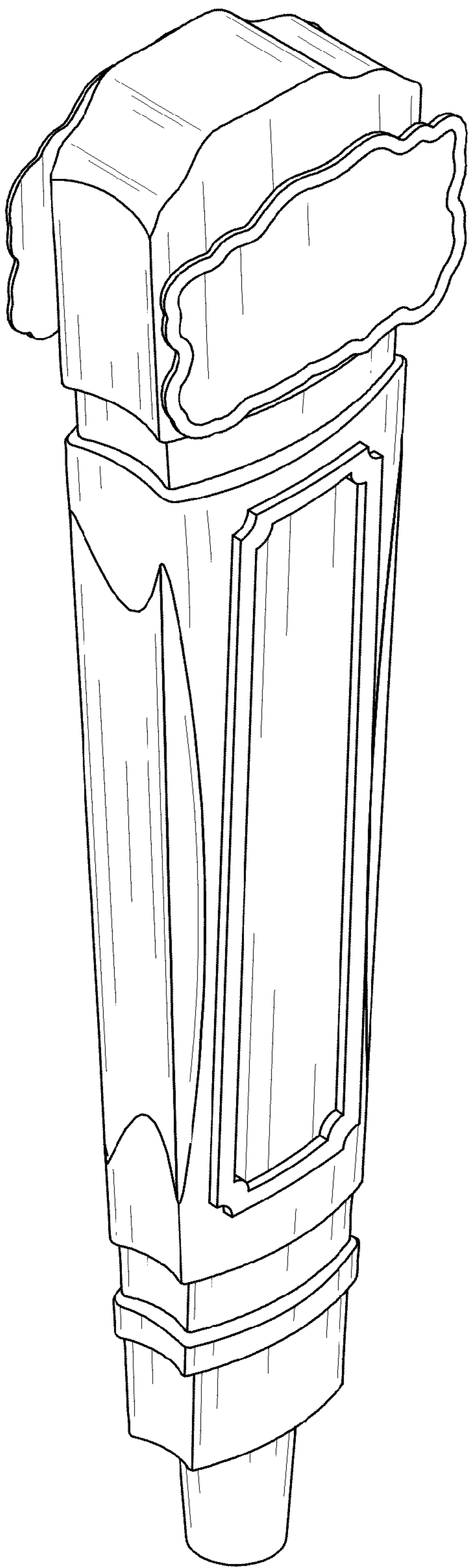
(56) **References Cited**

**U.S. PATENT DOCUMENTS**

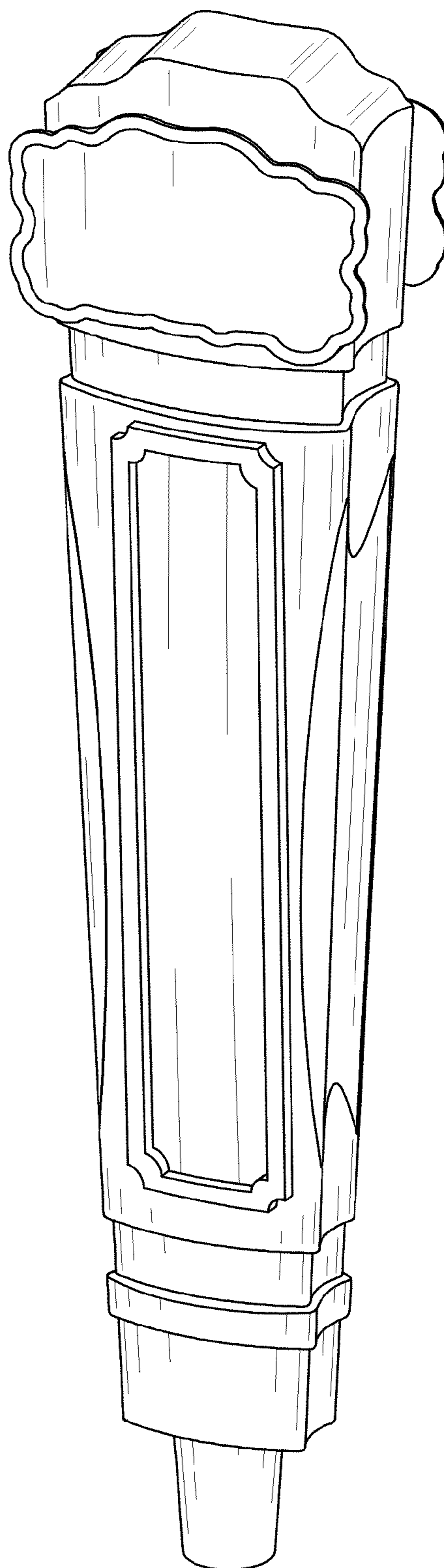
D354,656 S *	1/1995	Strawbridge	.....	D7/398
D396,994 S *	8/1998	Carrino	.....	D7/393
D411,710 S *	6/1999	Watters et al.	.....	D7/398
D475,888 S *	6/2003	Celli	.....	D7/398

**1 Claim, 3 Drawing Sheets**

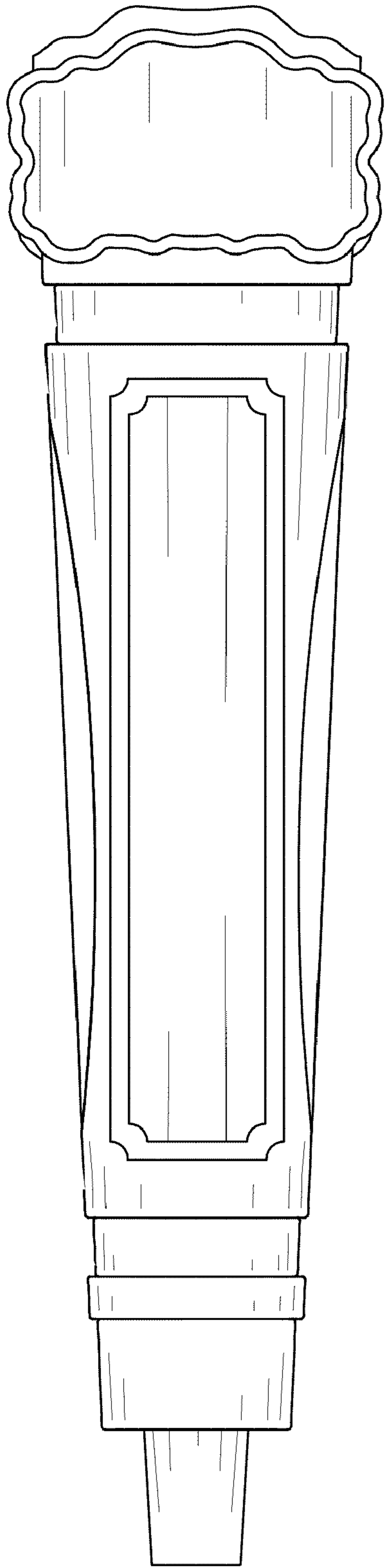




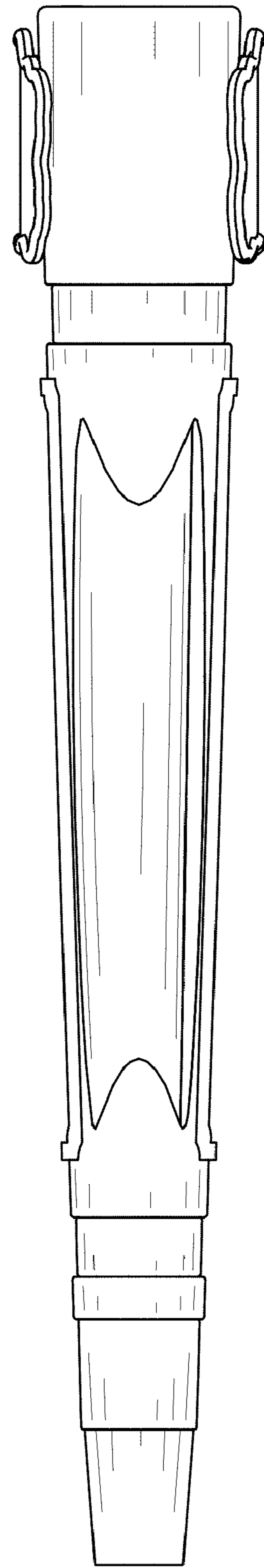
**FIG. 1**



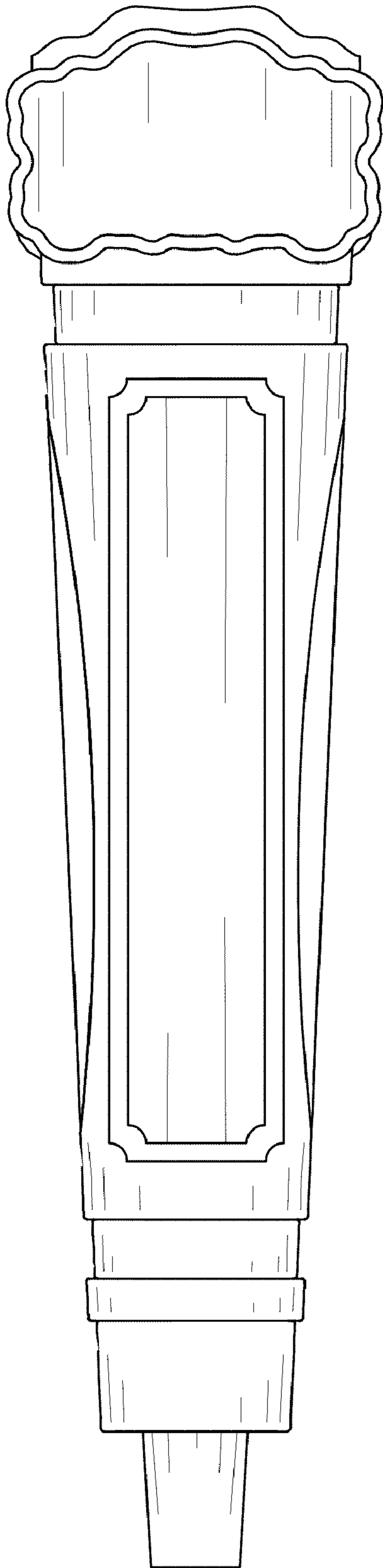
**FIG. 2**



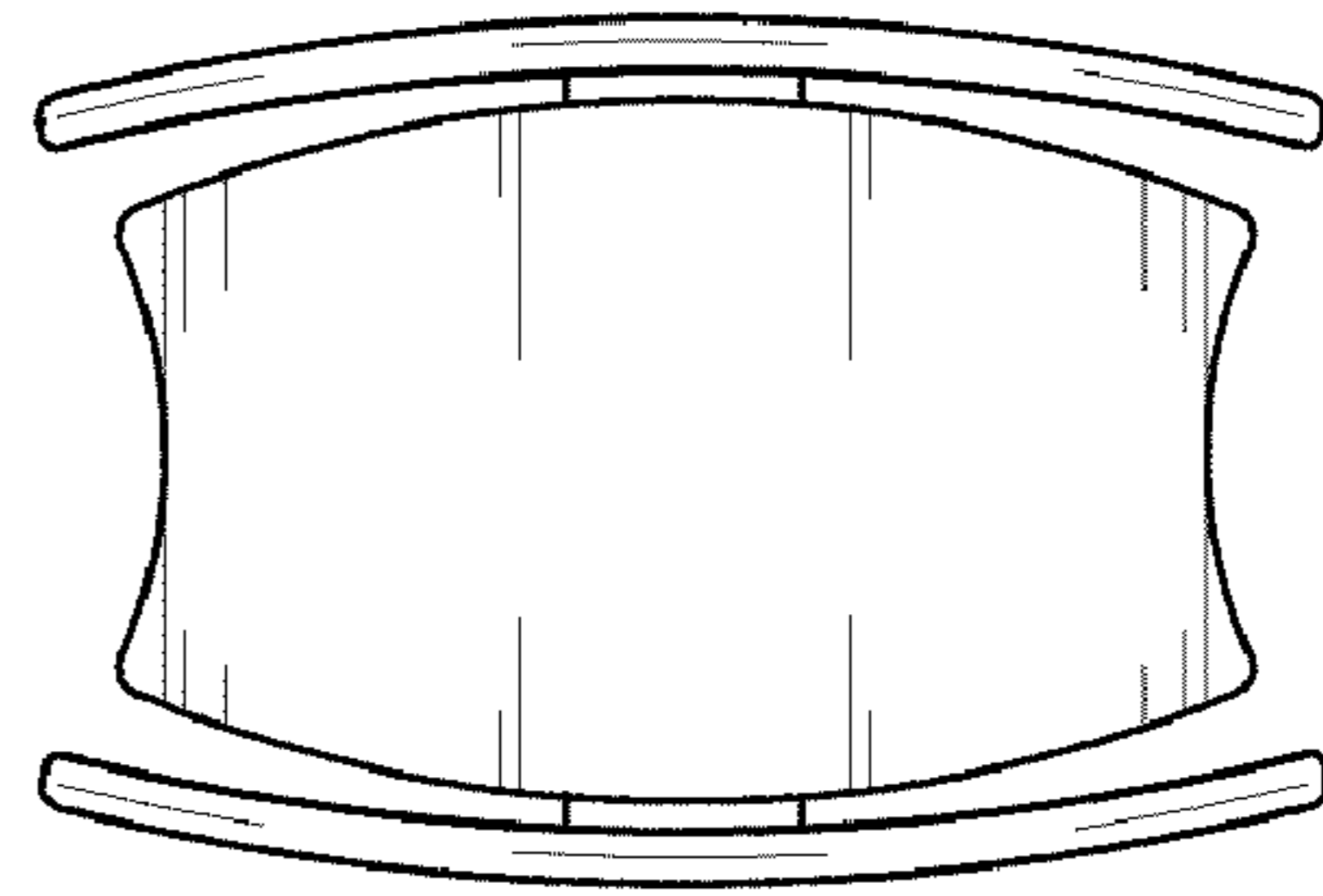
**FIG. 3**



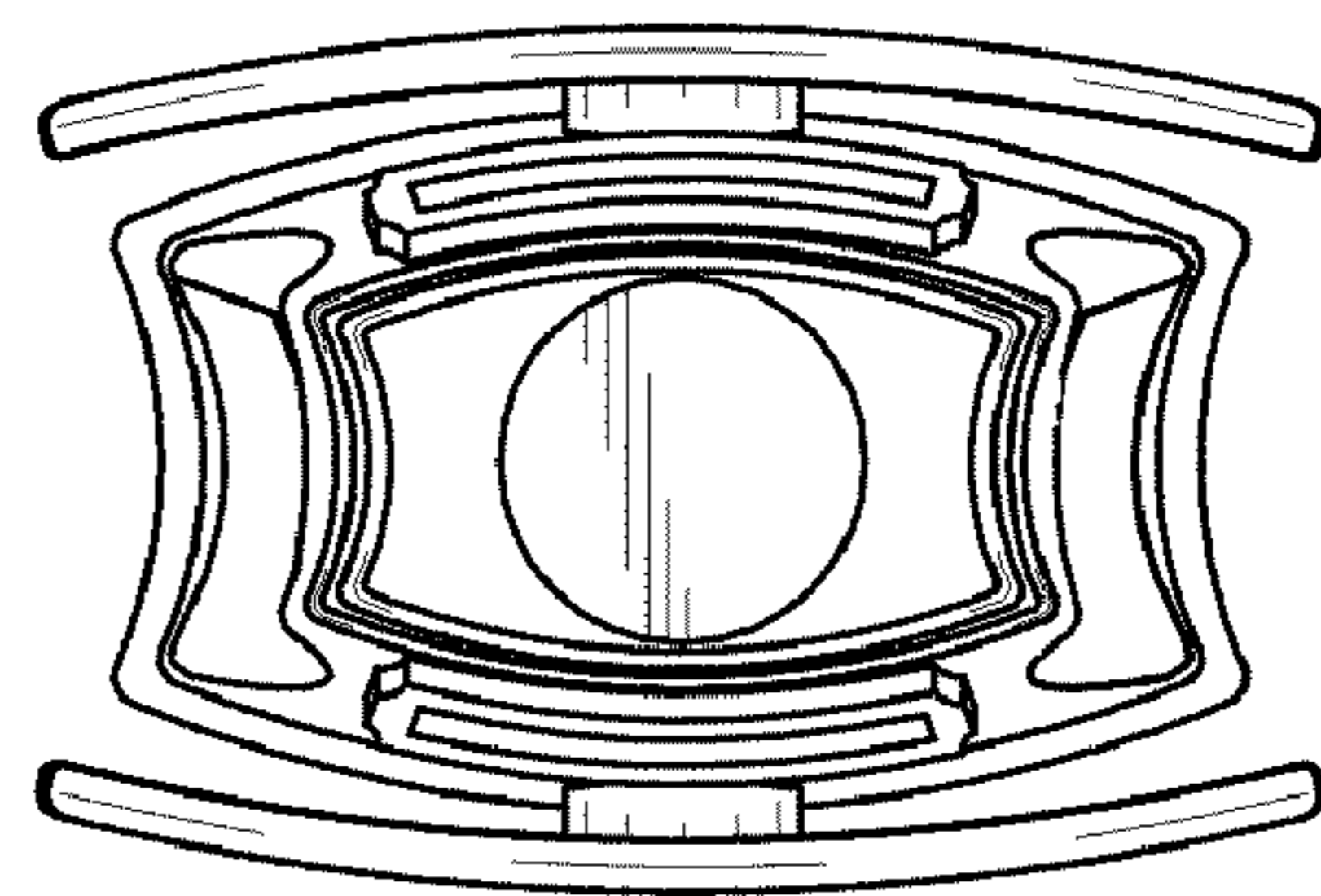
**FIG. 4**



**FIG. 5**



**FIG. 6**



**FIG. 7**