



US00D619848S

(12) **United States Design Patent**  
**Rohrer**

(10) **Patent No.:** **US D619,848 S**  
(45) **Date of Patent:** **\*\* Jul. 20, 2010**

(54) **SALAD CUTTER**

(76) Inventor: **Jeffrey Steven Rohrer**, 1124 Edgewood Rd., Kewaskum, WI (US) 53040

(\*\*) Term: **14 Years**

(21) Appl. No.: **29/354,215**

(22) Filed: **Feb. 19, 2010**

(51) **LOC (9) Cl.** ..... **31-00**

(52) **U.S. Cl.** ..... **D7/381**

(58) **Field of Classification Search** ..... D7/317-318, D7/354-356, 372-386, 392, 412-415, 665-666, D7/678-679; D9/438, 449, 503; D15/82, D15/123; 62/342; 99/348, 509-511; 241/82.1, 241/82.5, 92-93, 101.01-101.2, 166-169.1, 241/199.12, 274-278.2, 280, 282.1, 285.1-285.3, 241/291, 292.1; 248/362; 366/64-67, 98, 366/192, 197-211, 241-254, 279-292, 341-343  
See application file for complete search history.

(56) **References Cited**

**U.S. PATENT DOCUMENTS**

399,587	A *	3/1889	Warren	.....	241/82.1
913,187	A *	2/1909	Arnstein	.....	241/93
1,114,411	A *	10/1914	Stuver	.....	241/280
1,840,400	A *	1/1932	Lebherz	.....	248/362
D156,557	S *	12/1949	Piker	.....	D7/678
2,596,604	A *	5/1952	Schaeffer	.....	241/280
D173,029	S *	9/1954	Green et al.	.....	D7/372
2,713,367	A *	7/1955	Aberer	.....	241/282.1
D187,452	S *	3/1960	Mango	.....	D7/372
D201,602	S *	7/1965	Graham et al.	.....	D7/383
D206,927	S *	2/1967	Popeil	.....	D7/372
D215,390	S *	9/1969	McGee	.....	D7/383
3,610,304	A *	10/1971	Popeil et al.	.....	241/92
D233,123	S *	10/1974	Rigamonti	.....	D7/372
D260,129	S *	8/1981	Shun	.....	D7/678

D260,351	S *	8/1981	Shun	.....	D7/372
D261,472	S *	10/1981	Graham et al.	.....	D7/383
4,669,275	A *	6/1987	Ohgushi et al.	.....	62/342
D424,889	S *	5/2000	Yip	.....	D7/679
D475,253	S *	6/2003	Yip	.....	D7/666
D484,738	S *	1/2004	Wong	.....	D7/372
D507,455	S *	7/2005	Bertulis	.....	D7/376
D543,774	S *	6/2007	Rohrer	.....	D7/381
D568,346	S *	5/2008	Hofman	.....	D15/123
D597,785	S *	8/2009	Rohrer	.....	D7/381
D610,397	S *	2/2010	Rohrer	.....	D7/381

\* cited by examiner

*Primary Examiner*—Caron Veynar

*Assistant Examiner*—Ricky Pham

(57) **CLAIM**

The ornamental design for a salad cutter, as shown and described.

**DESCRIPTION**

FIG. 1 is a right, rear, top perspective view of a salad cutter incorporating my new design;

FIG. 2 is a right-side elevation thereof;

FIG. 3 is a left-side elevation thereof;

FIG. 4 is a rear elevation view thereof;

FIG. 5 is a front elevation view thereof;

FIG. 6 is a top plan view thereof;

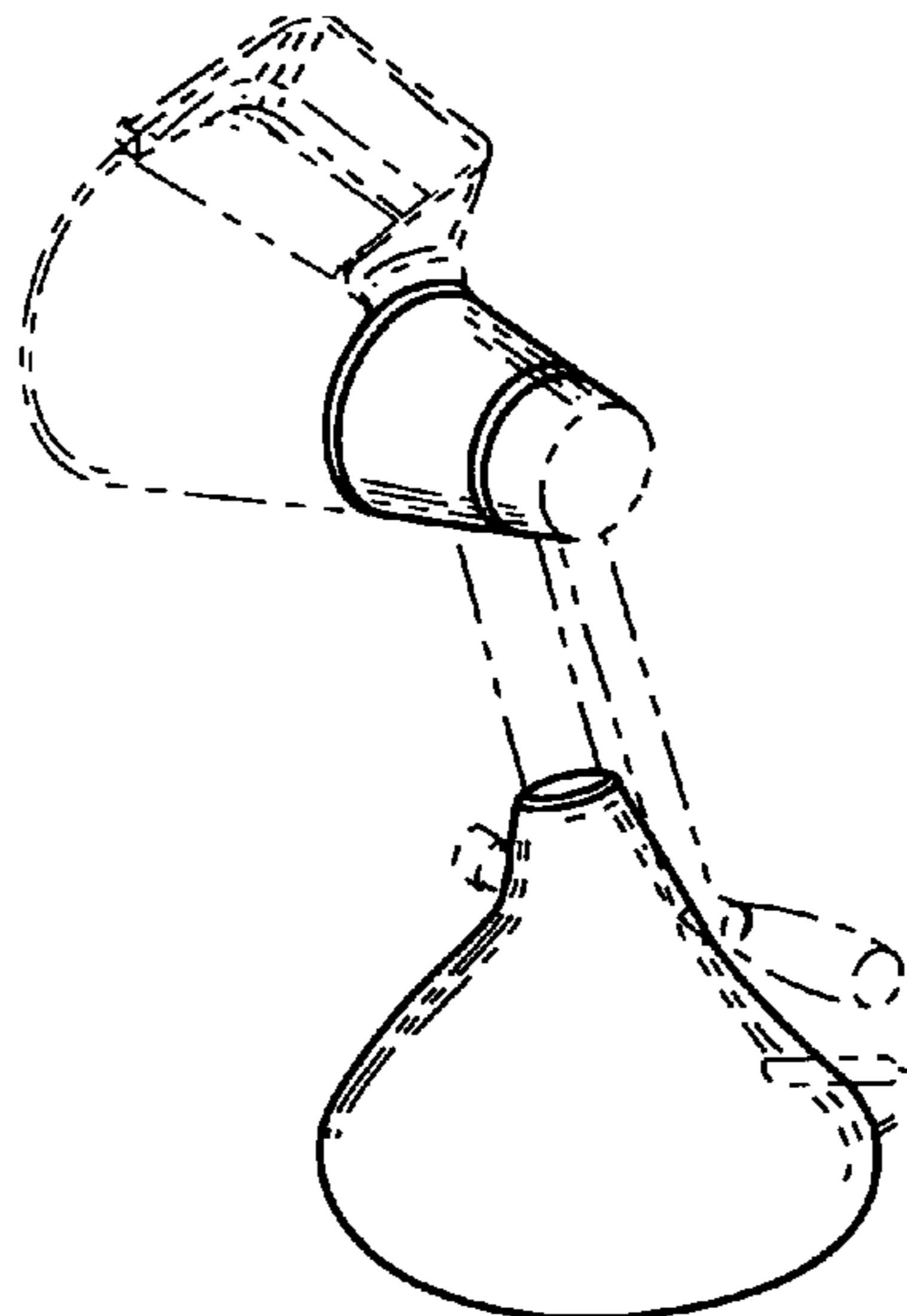
FIG. 7 is a bottom plan view thereof;

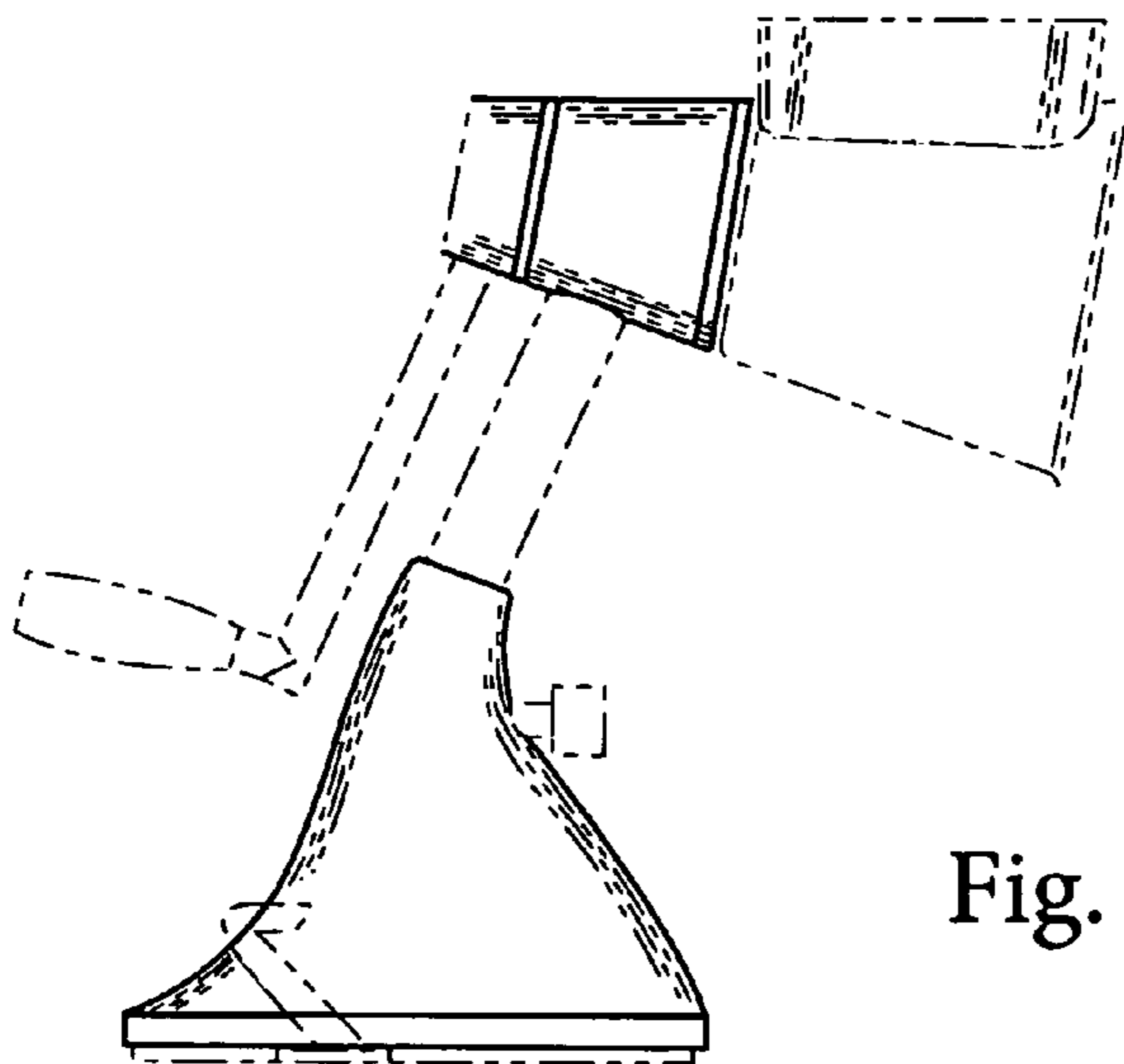
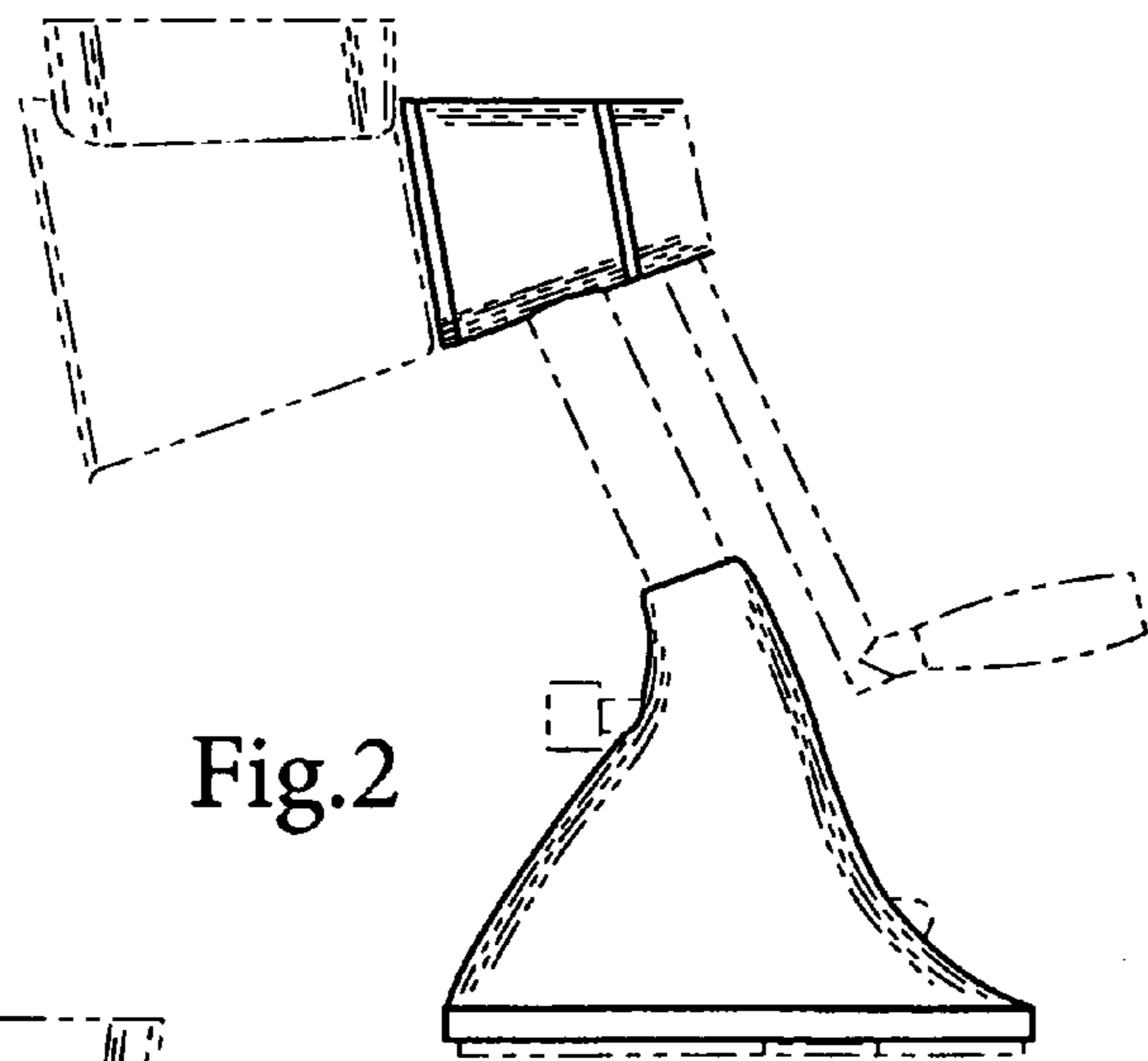
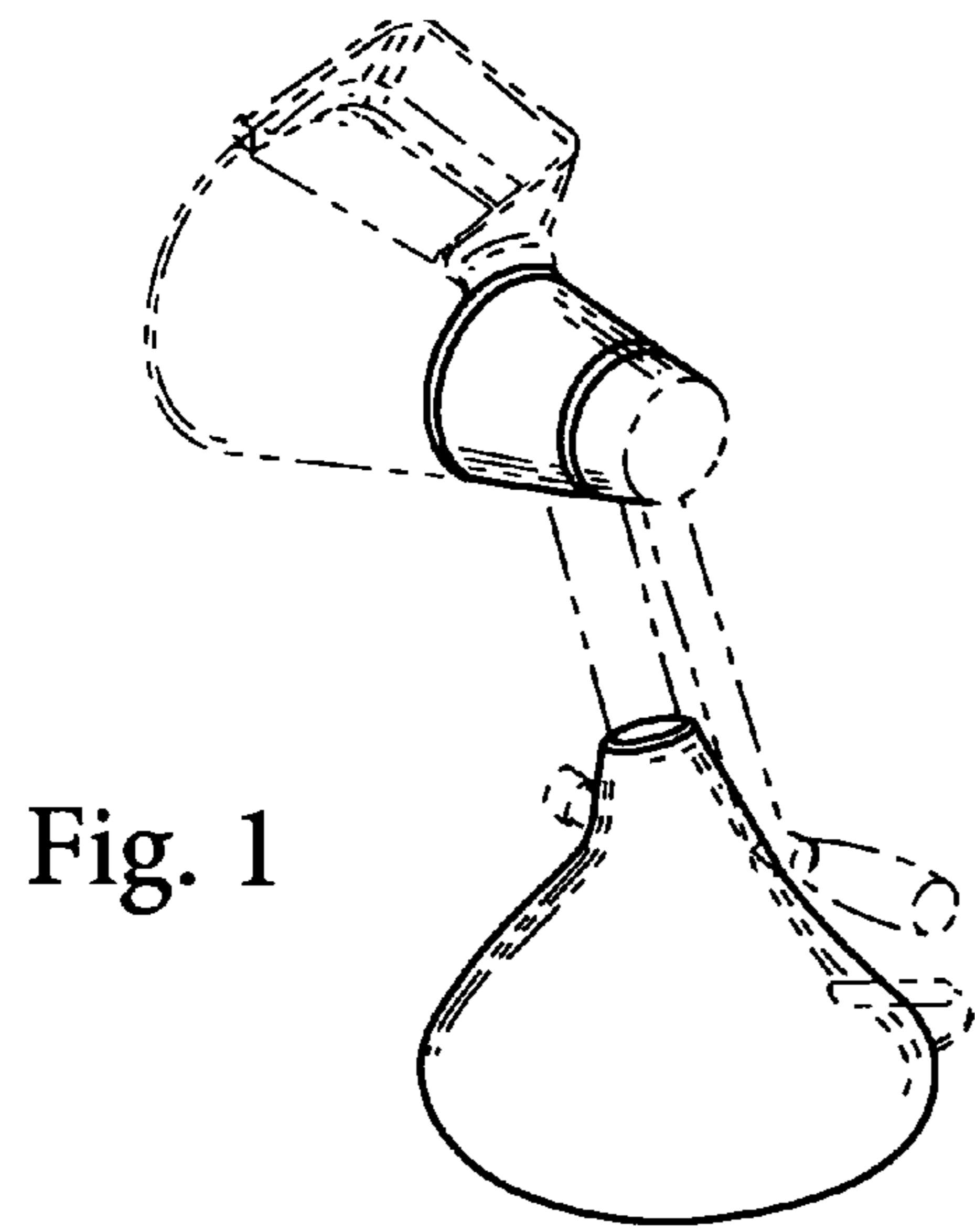
FIG. 8 is a right-side elevation view, showing at telescopic post thereof partially retracted into a base thereof; and,

FIG. 9 is a right-side elevation view, showing the telescopic post fully retracted into the base.

The broken lines in FIGS. 1-9 are for illustrative purpose only form no part of the claimed design.

**1 Claim, 4 Drawing Sheets**





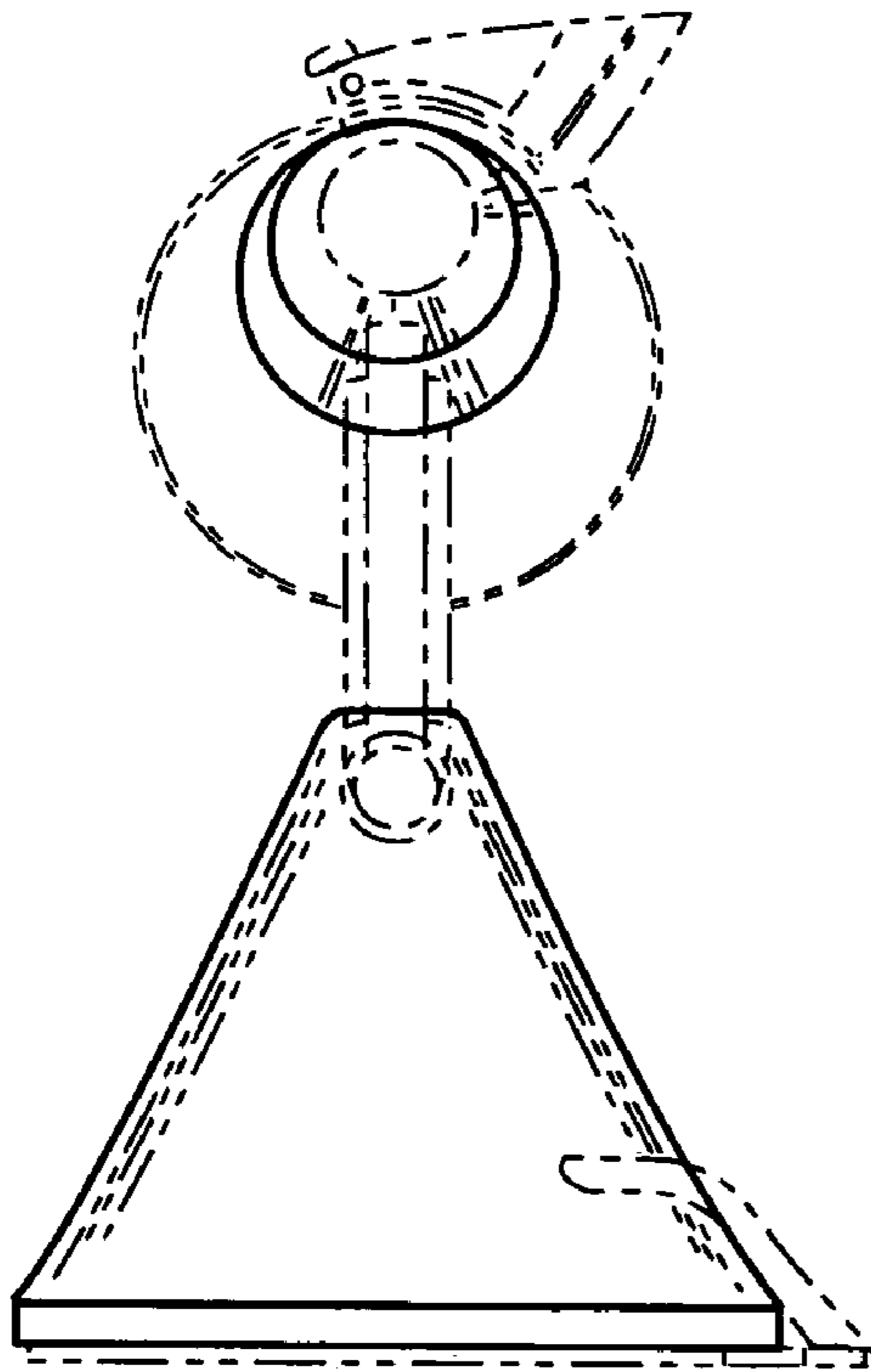


Fig. 4

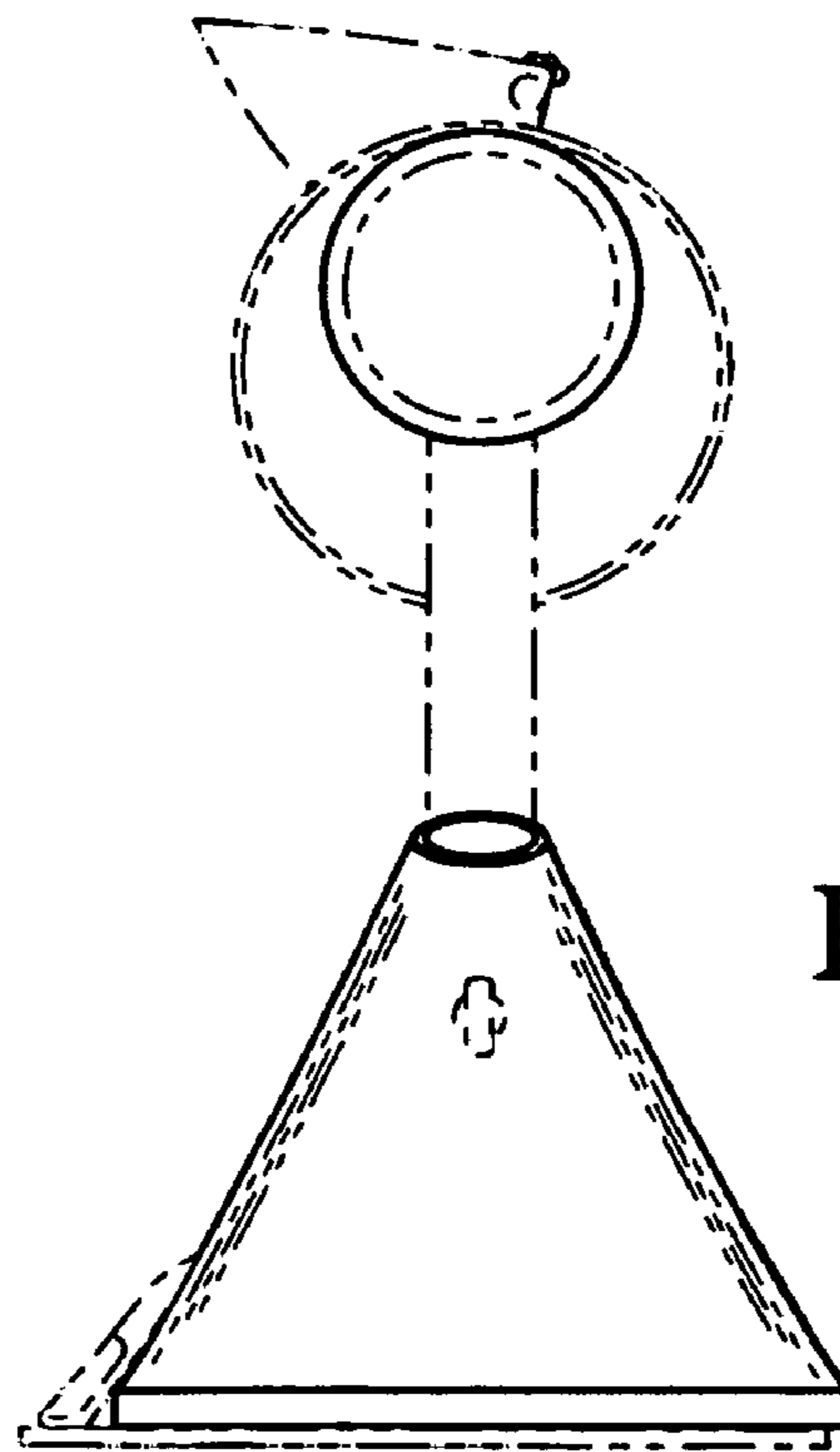


Fig. 5

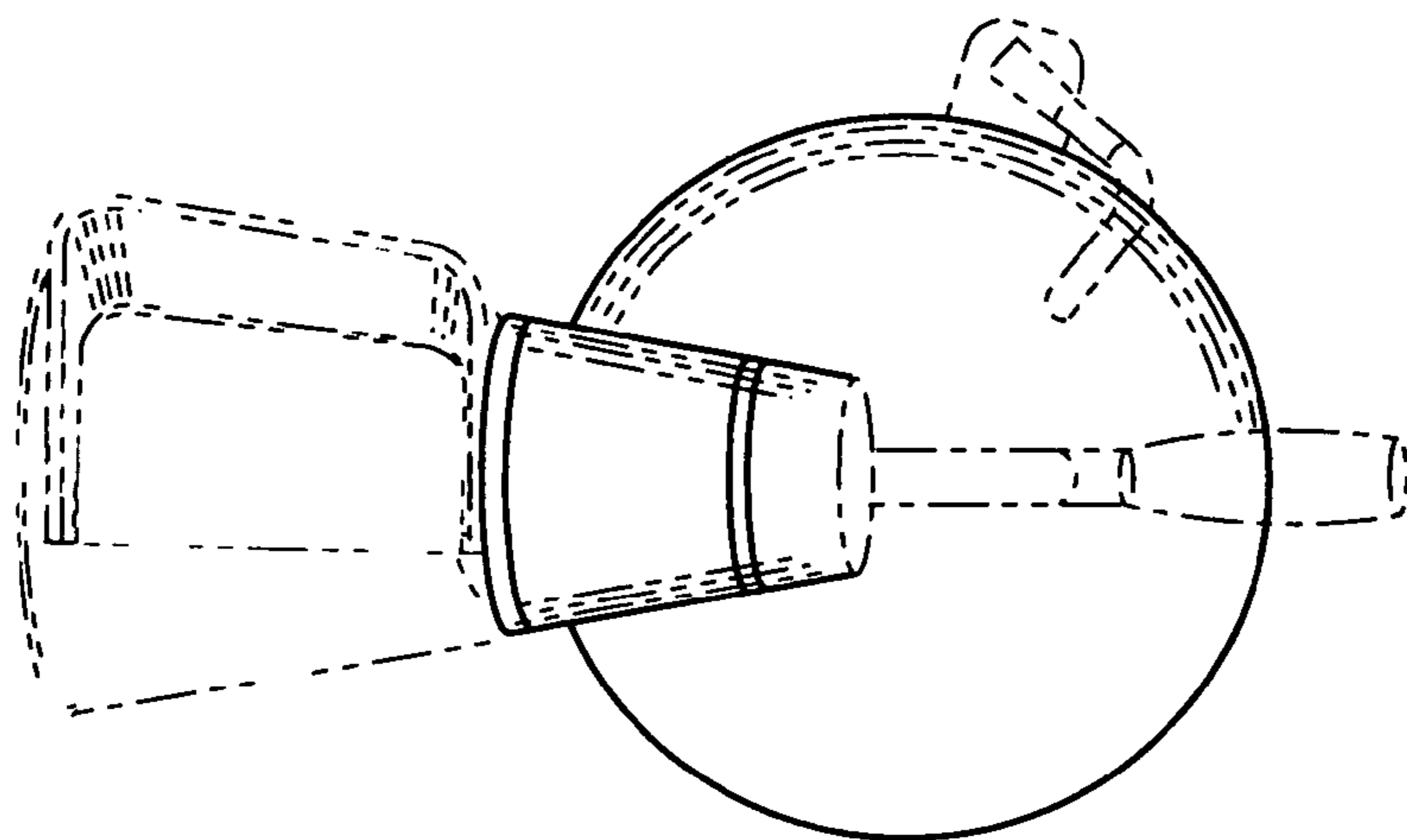


Fig. 6

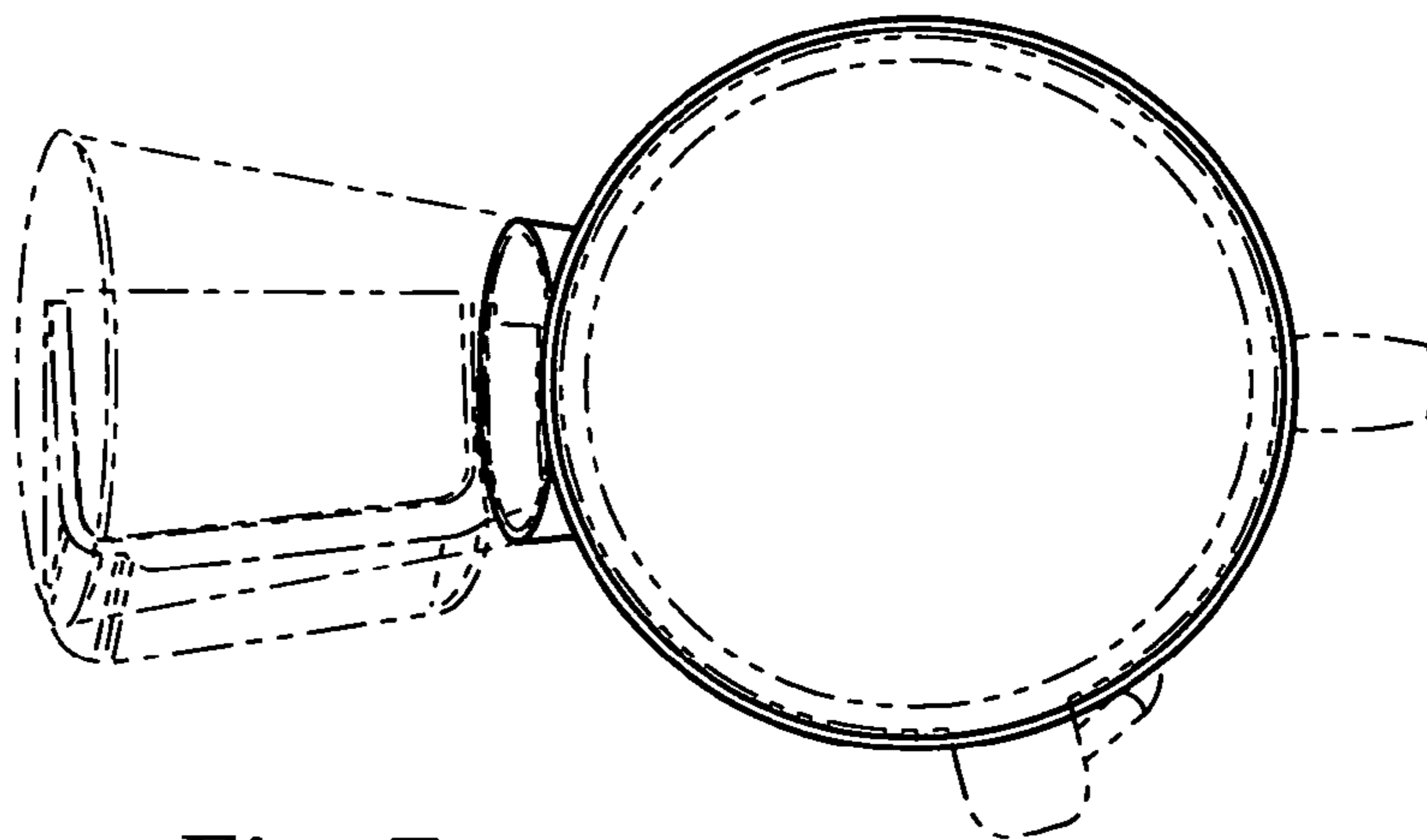


Fig. 7

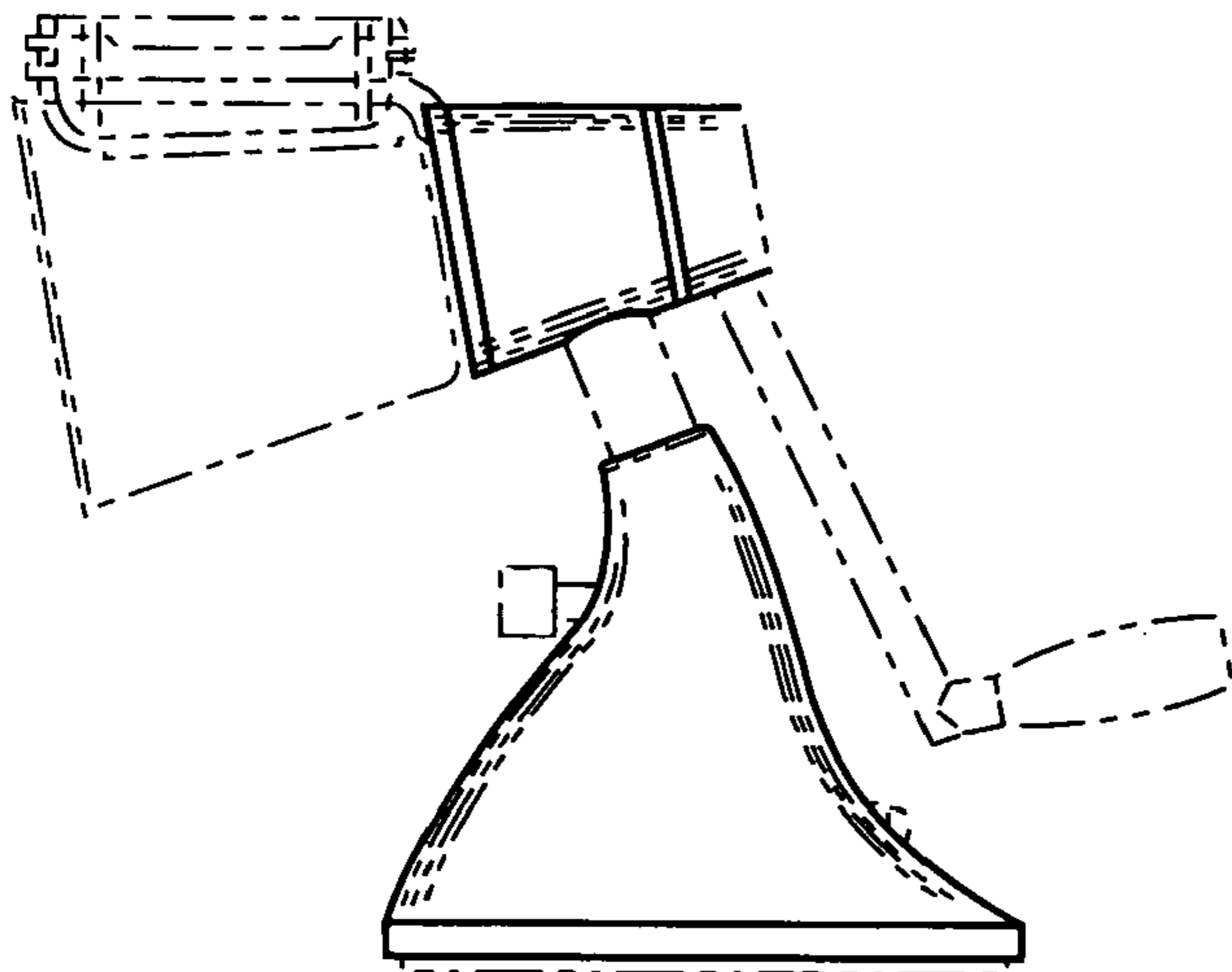


Fig. 8

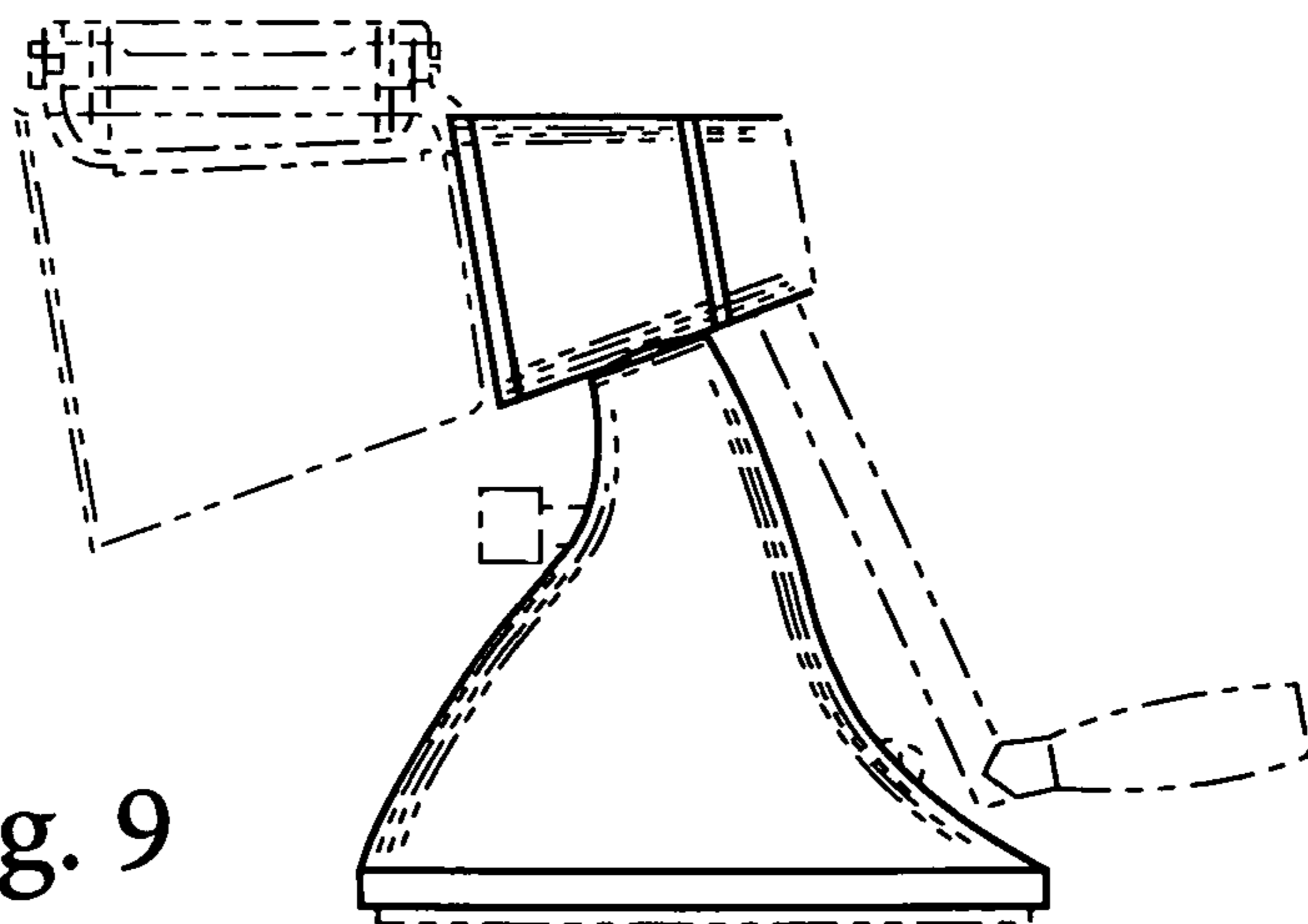


Fig. 9