



US00D619846S

(12) **United States Design Patent**  
**Dunne et al.**

(10) **Patent No.:** **US D619,846 S**  
(45) **Date of Patent:** **\*\* Jul. 20, 2010**

(54) **BARBEQUE GRILL**

(75) Inventors: **Brendan Dunne**, Mid Levels (CN);  
**Erwin Petrus Boes**, Helmond (NL);  
**Tom Trebert**, Mid Levels (CN)

(73) Assignee: **Product Works Limited**, Hong Kong (CN)

(\*\*) Term: **14 Years**

(21) Appl. No.: **29/344,007**

(22) Filed: **Sep. 22, 2009**

(30) **Foreign Application Priority Data**

Mar. 23, 2009 (HK) ..... 0900460  
Jul. 21, 2009 (HK) ..... 0901153

(51) **LOC (9) Cl.** ..... **07-02**

(52) **U.S. Cl.** ..... **D7/334**

(58) **Field of Classification Search** ..... D7/332,  
D7/334-337, 402-404, 406-407; 126/37 R,  
126/25 R, 41 R, 41 C, 41 D, 41 E, 9 R, 44,  
126/50, 39 E, 91 A; 99/339, 340, 450, 444;  
431/354

See application file for complete search history.

(56) **References Cited**

**U.S. PATENT DOCUMENTS**

D449,491 S \* 10/2001 Measom ..... D7/334

(Continued)

*Primary Examiner*—Ruth McInroy

(74) *Attorney, Agent, or Firm*—Lerner, David, Littenberg,  
Krumholz & Mentlik, LLP

(57) **CLAIM**

The ornamental design for a barbeque grill, as shown and described.

**DESCRIPTION**

FIG. 1 is a front perspective view of a barbeque grill, in accordance with the invention;

FIG. 2 is a front view of the barbeque grill shown in FIG. 1;

FIG. 3 is a rear view of the barbeque grill shown in FIG. 1;

FIG. 4 is a left side view of the barbeque grill shown in FIG. 1;

FIG. 5 is a right side view of the barbeque grill shown in FIG. 1;

FIG. 6 is a top view of the barbeque grill shown in FIG. 1;

FIG. 7 is a bottom view of the barbeque grill shown in FIG. 1;

FIG. 8 is a front perspective view of a first storage configuration of the barbeque grill shown in FIG. 1;

FIG. 9 is a front view of the first storage configuration of the barbeque grill shown in FIG. 1;

FIG. 10 is a rear view of the first storage configuration of the barbeque grill shown in FIG. 1;

FIG. 11 is a left side view of the first storage configuration of the barbeque grill shown in FIG. 1;

FIG. 12 is a right side view of the first storage configuration of the barbeque grill shown in FIG. 1;

FIG. 13 is a top view of the first storage configuration of the barbeque grill shown in FIG. 1;

FIG. 14 is a bottom view of the first storage configuration of the barbeque grill shown in FIG. 1;

FIG. 15 is a rear perspective view of a second storage configuration of the barbeque grill shown in FIG. 1;

FIG. 16 is a front view of the second storage configuration of the barbeque grill shown in FIG. 15;

FIG. 17 is a rear view of the second storage configuration of the barbeque grill shown in FIG. 15;

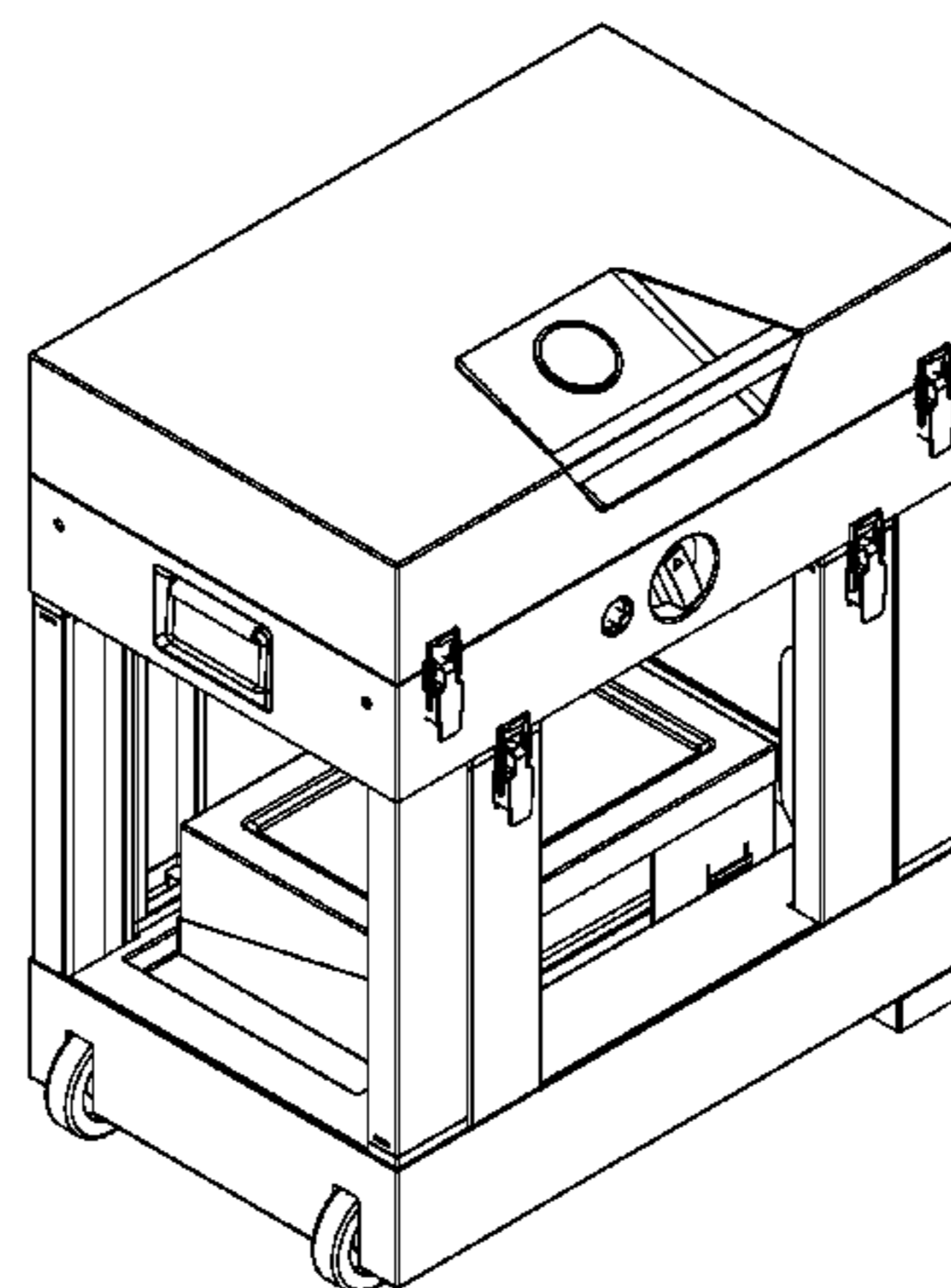
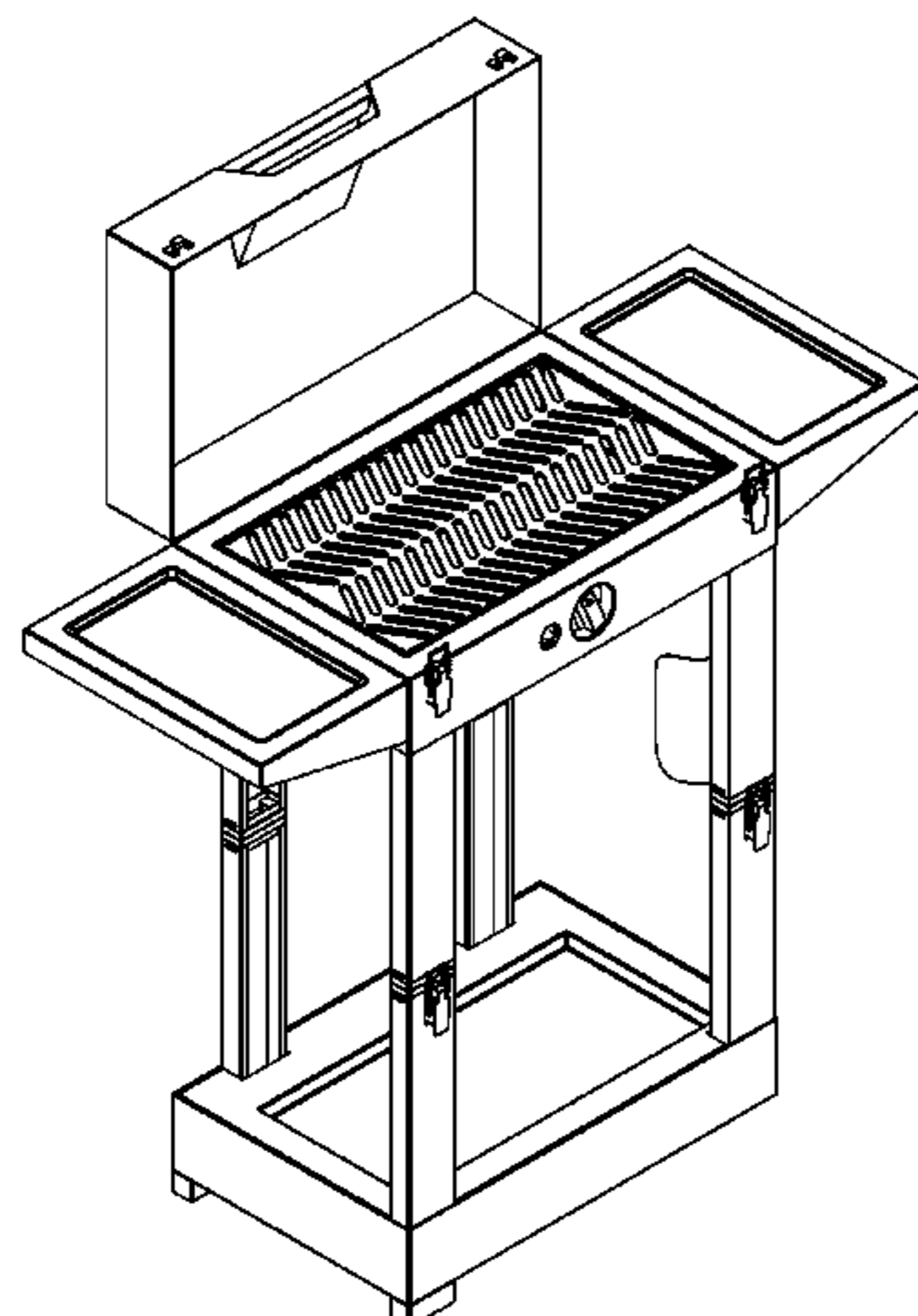
FIG. 18 is a left side view of the second storage configuration of the barbeque grill shown in FIG. 15;

FIG. 19 is a right side view of the second storage configuration of the barbeque grill shown in FIG. 15;

FIG. 20 is a top view of the second storage configuration of the barbeque grill shown in FIG. 15; and,

FIG. 21 is a bottom view of the second storage configuration of the barbeque grill shown in FIG. 15.

**1 Claim, 21 Drawing Sheets**



# US D619,846 S

Page 2

---

## U.S. PATENT DOCUMENTS

D450,524 S	*	11/2001	Measom	.....	D7/332	D560,415 S	*	1/2008	Wood et al.	.....	D7/334
D473,095 S	*	4/2003	Nguyen	.....	D7/334	D570,151 S	*	6/2008	Brunner	.....	D7/334
D478,463 S	*	8/2003	Mouly	.....	D7/334	D570,641 S	*	6/2008	Brunner	.....	D7/334
D496,820 S	*	10/2004	Wilder	.....	D7/334	D588,394 S	*	3/2009	Marijnissen	.....	D7/332

\* cited by examiner

FIG. 1

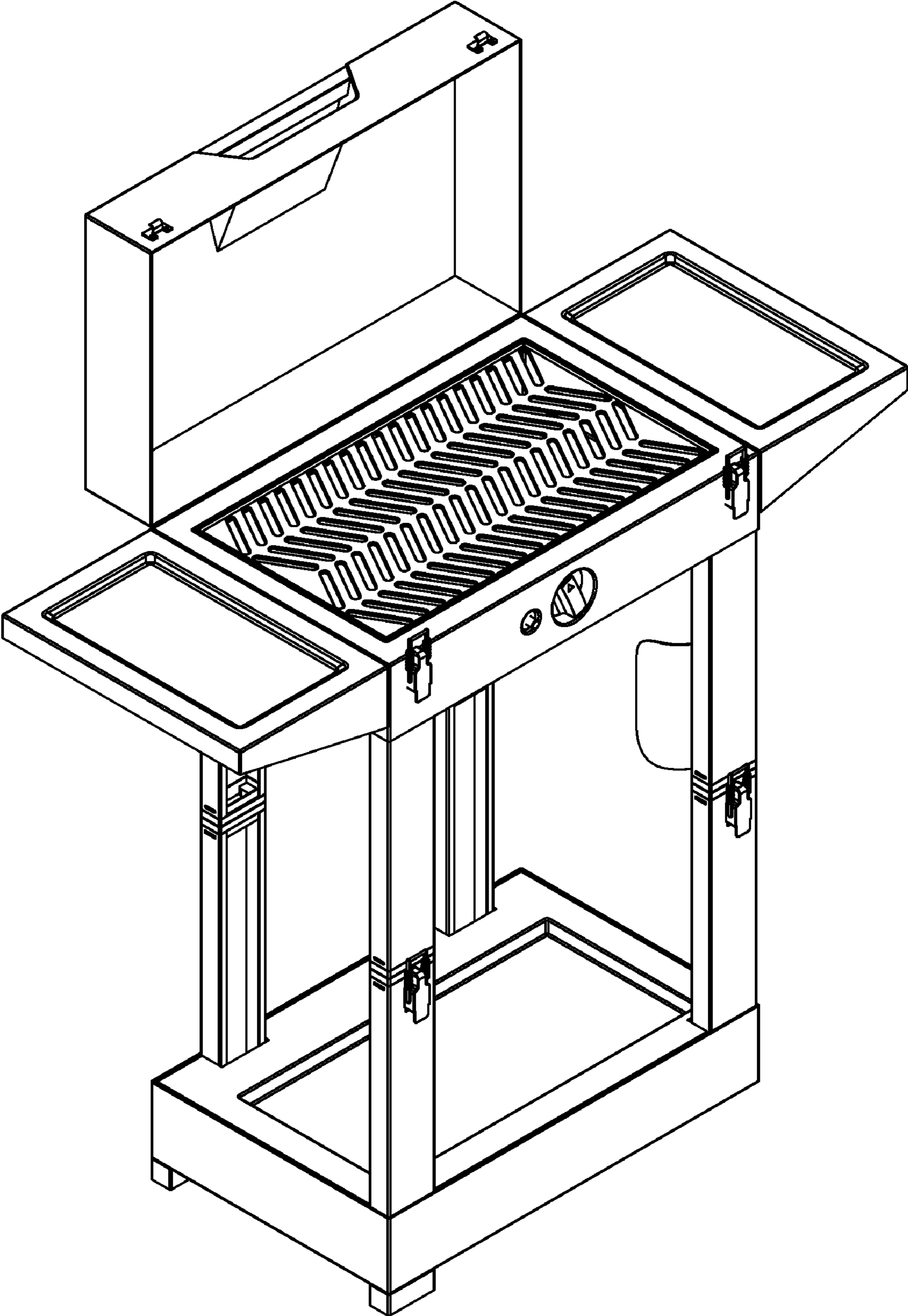


FIG. 2

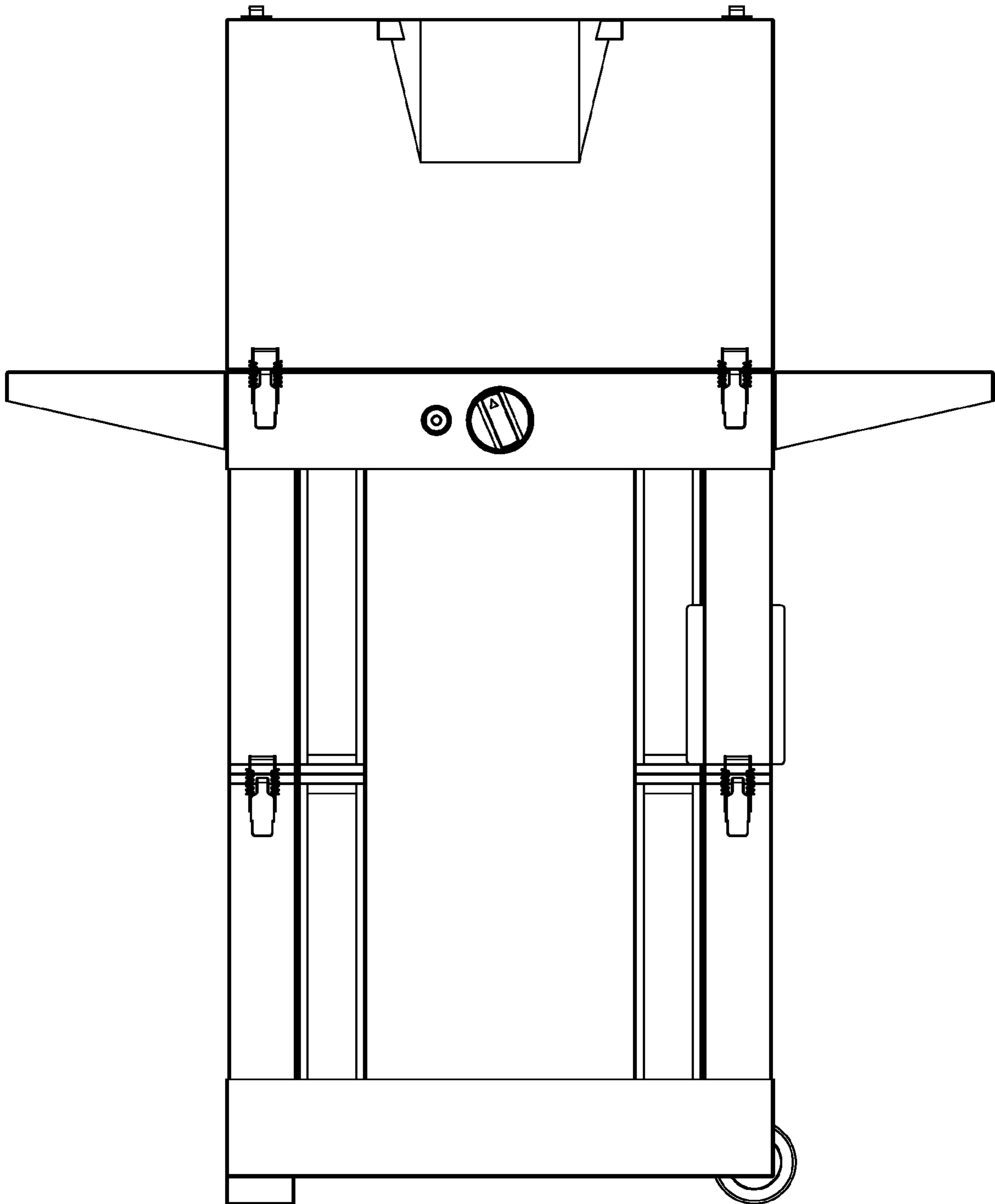


FIG. 3

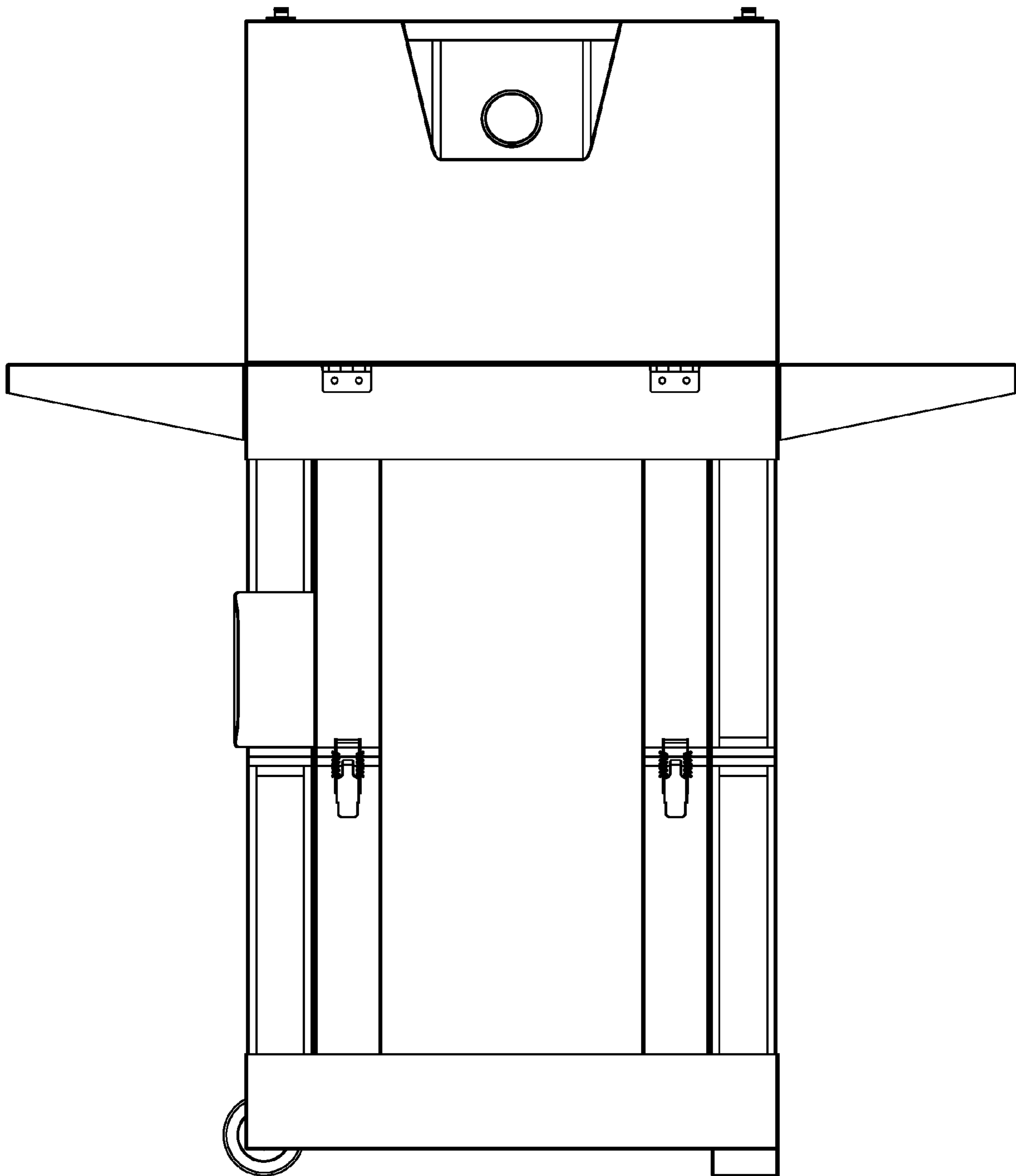


FIG. 4

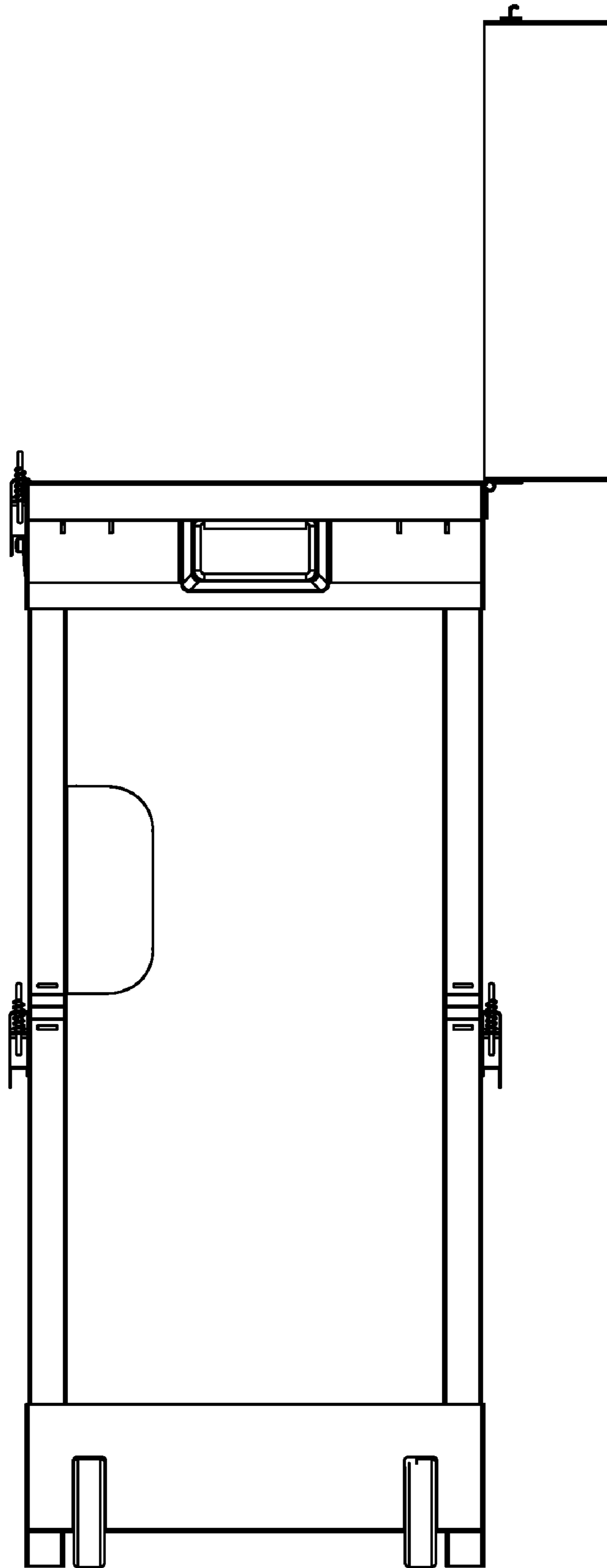


FIG. 5

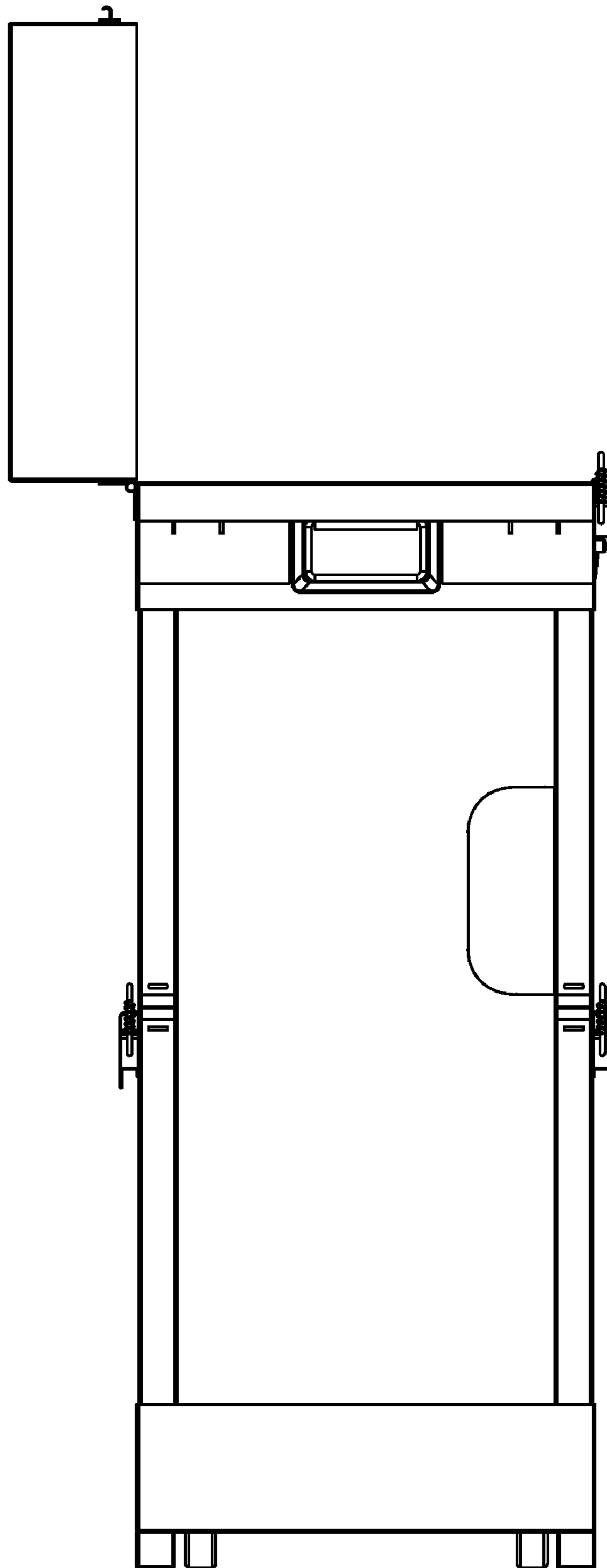


FIG. 6

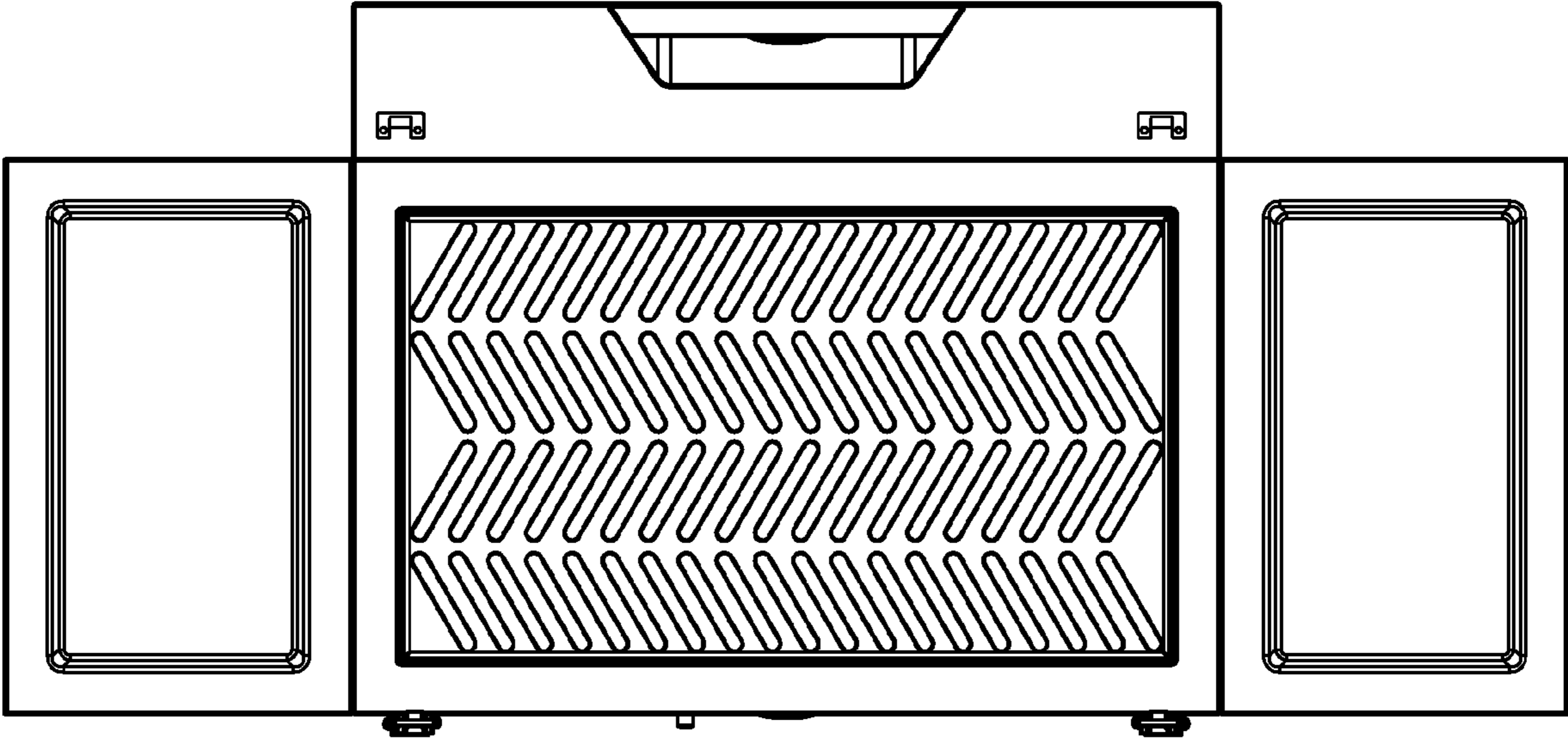




FIG. 7

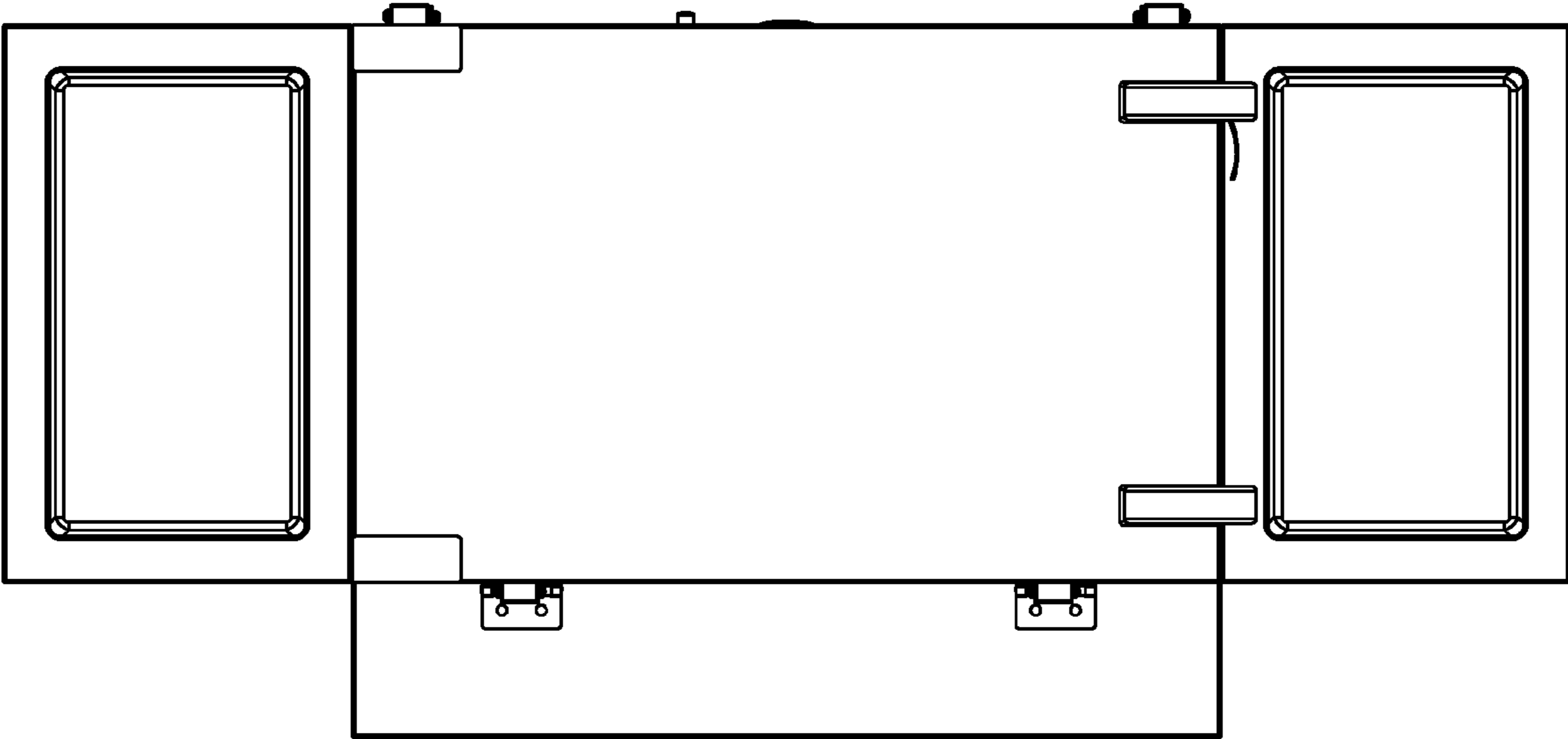


FIG. 8

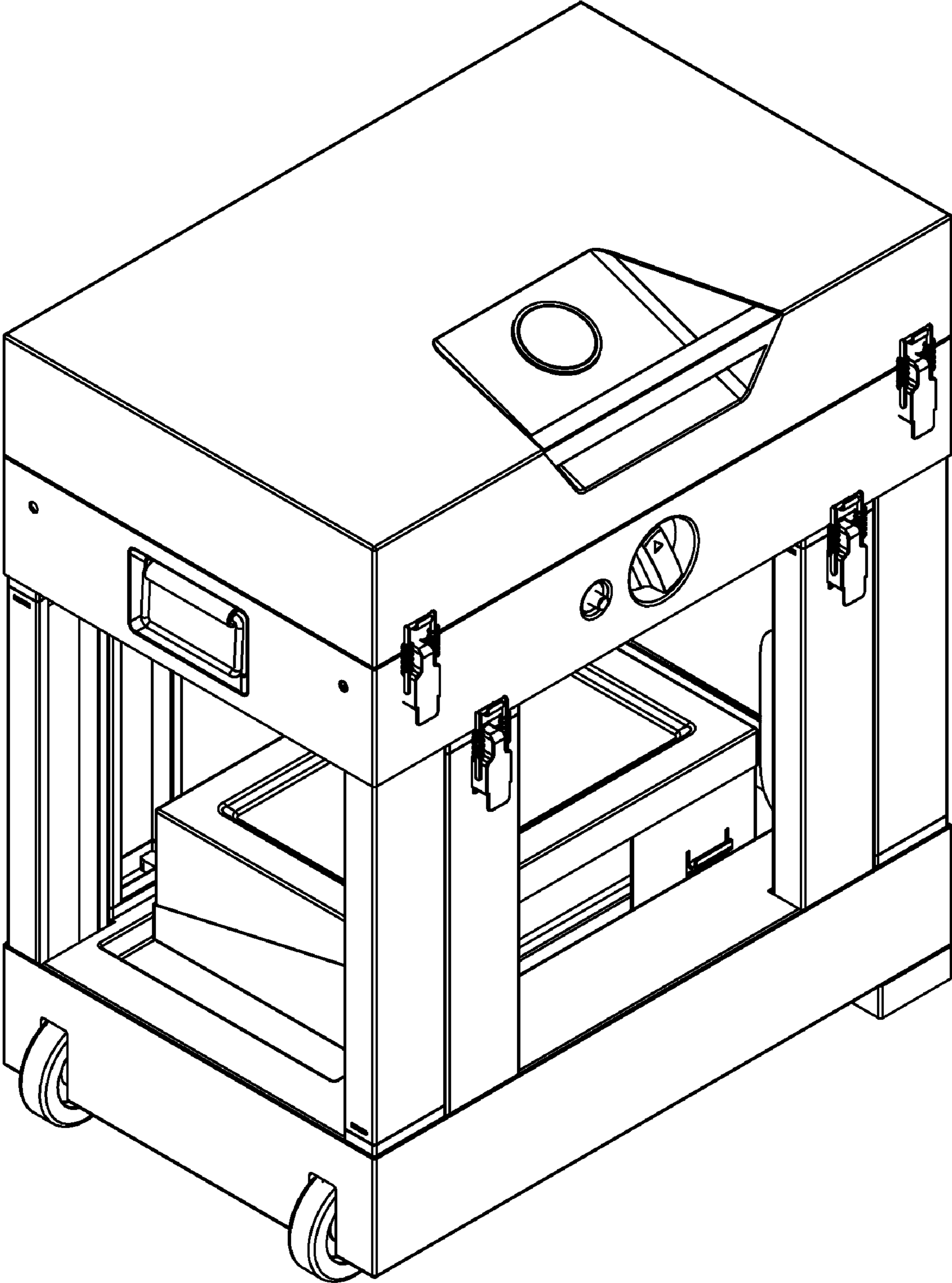


FIG. 9

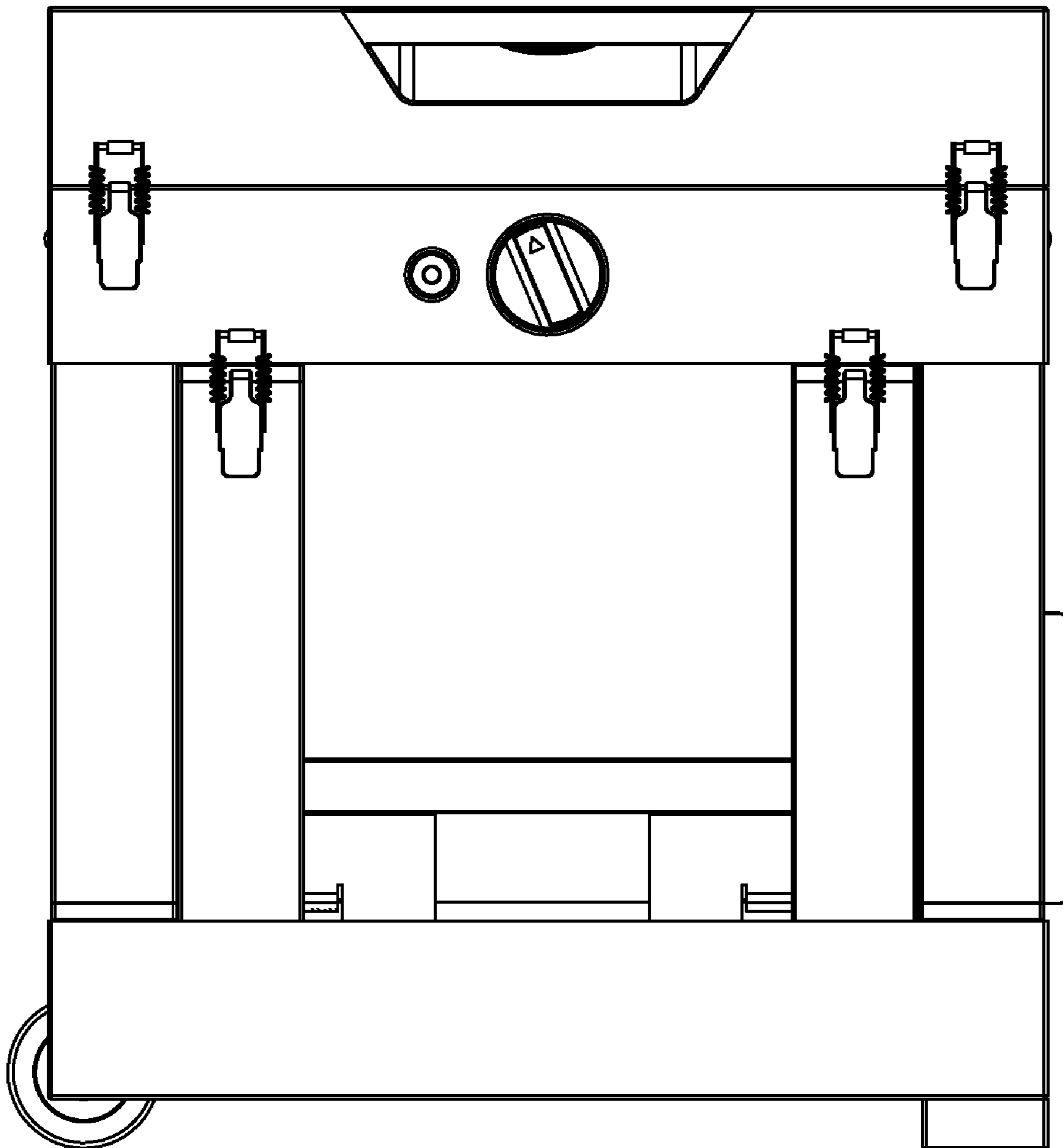


FIG. 10

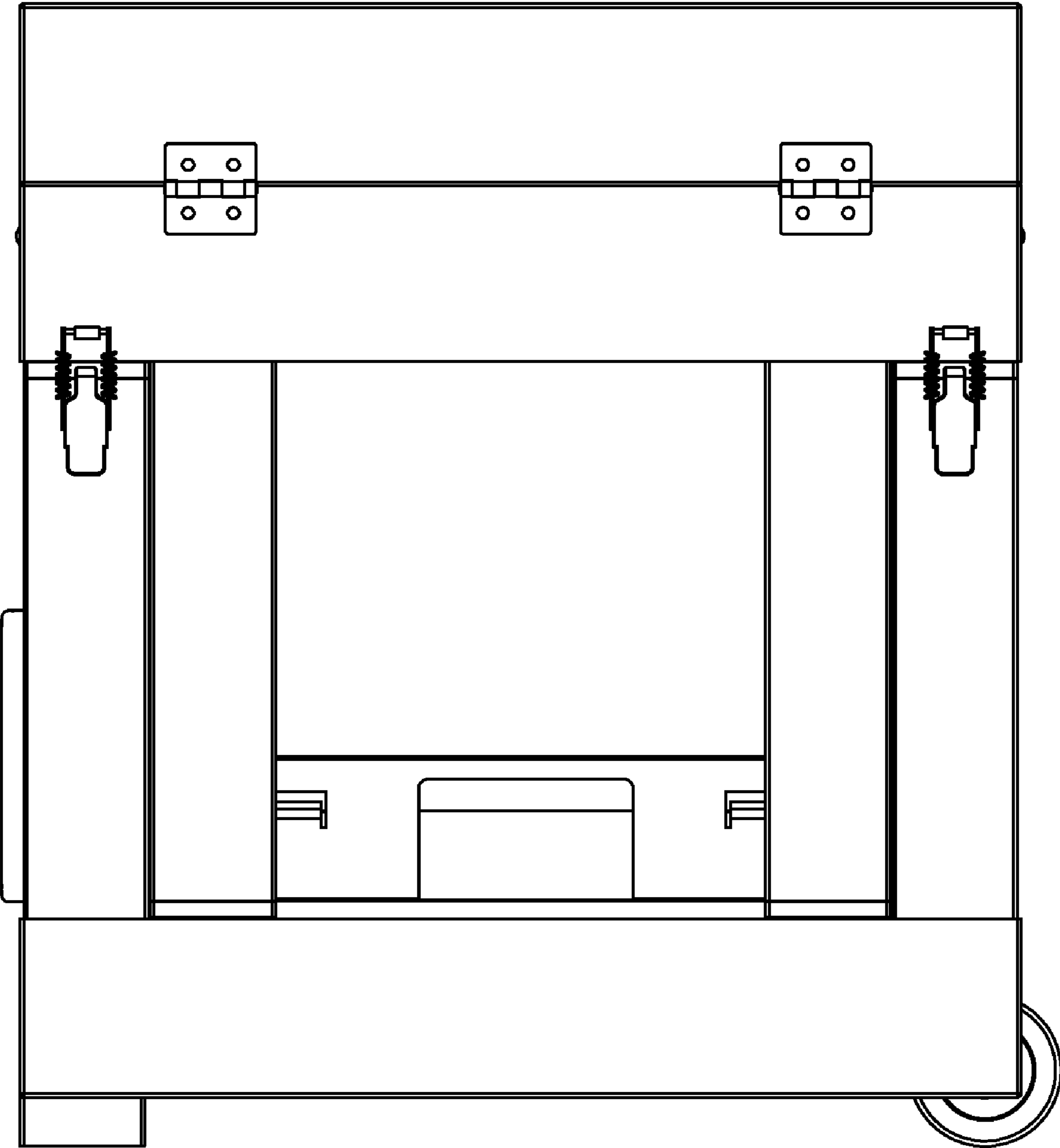


FIG. 11

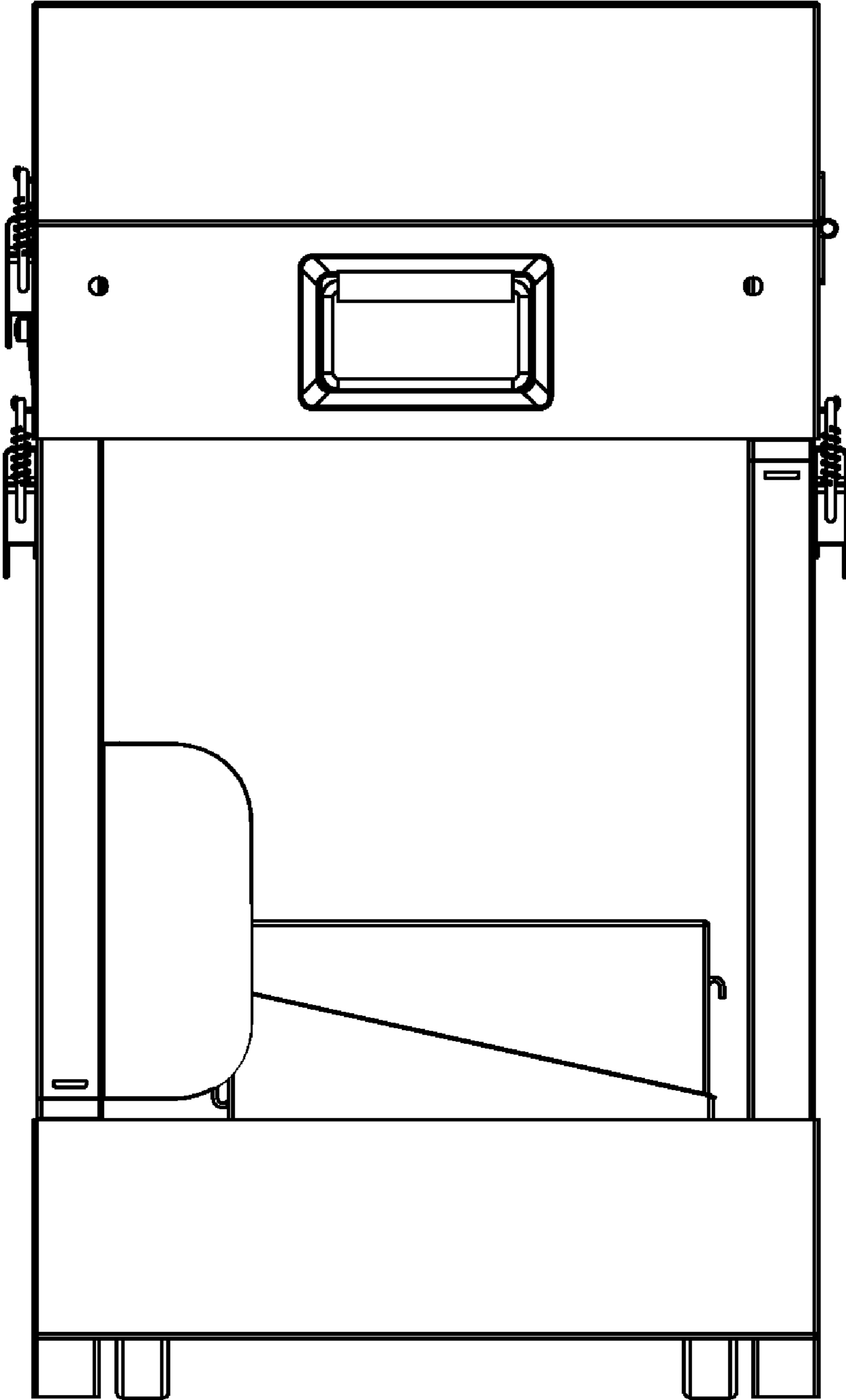


FIG. 12

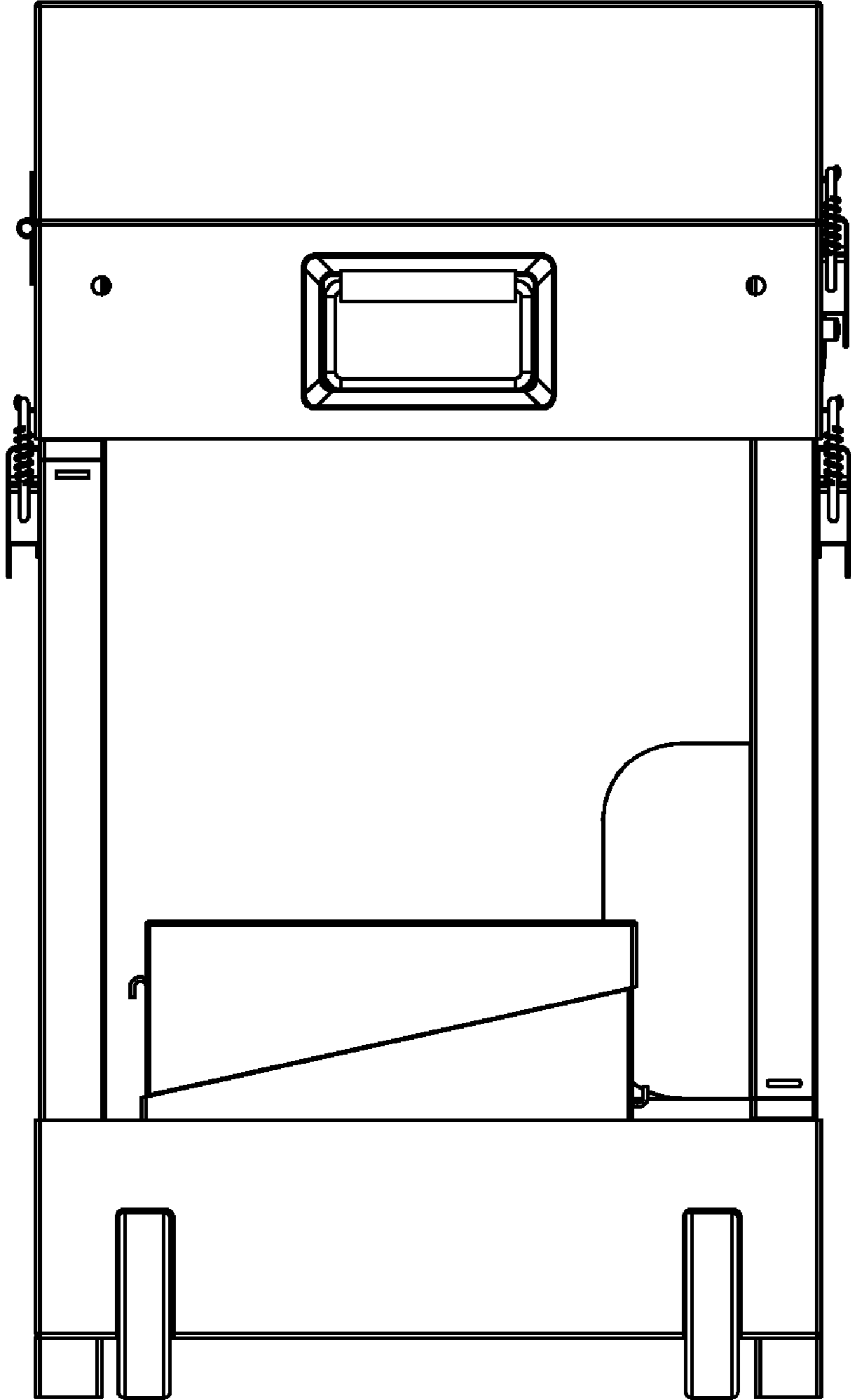


FIG. 13

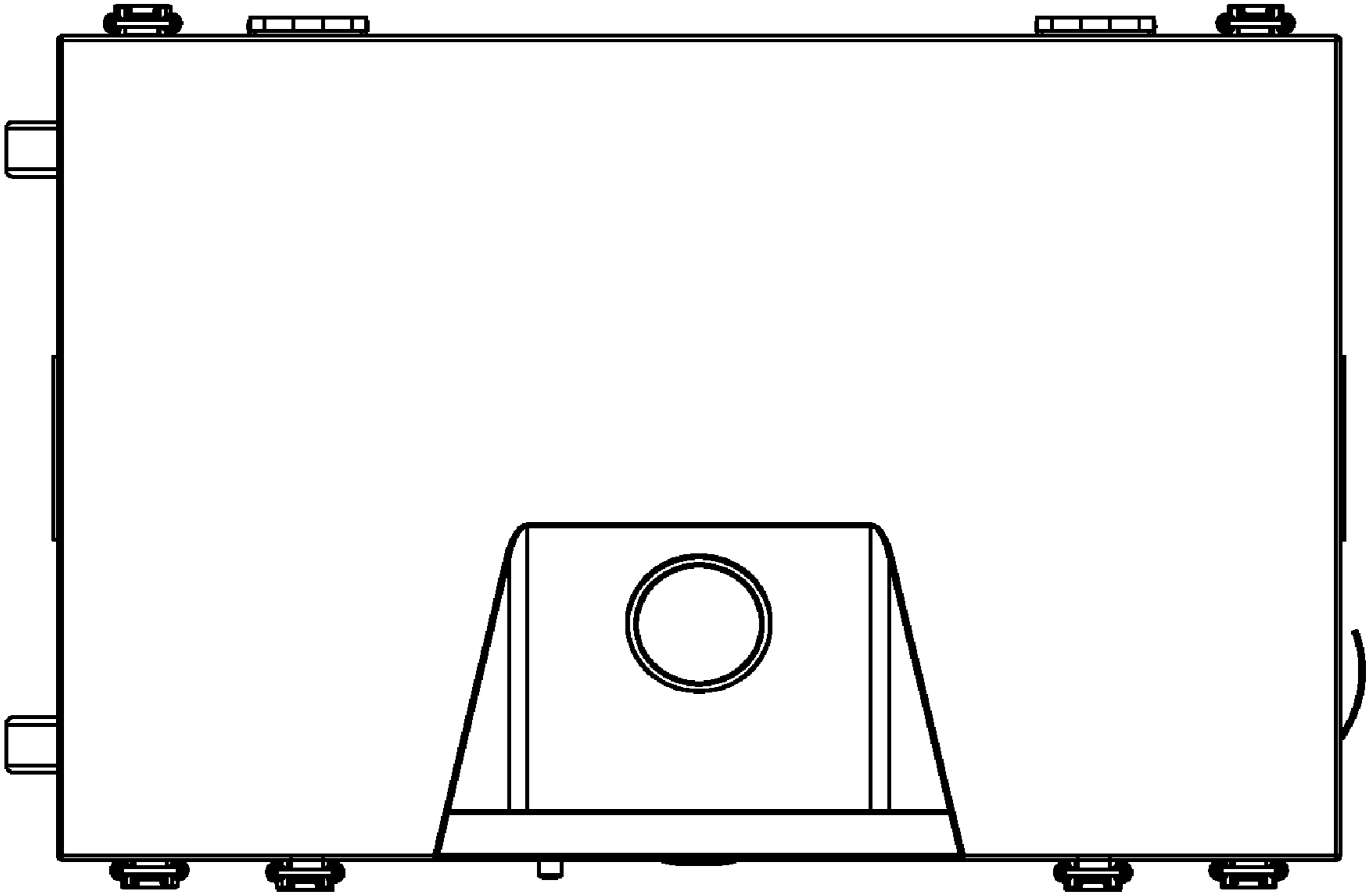


FIG. 14

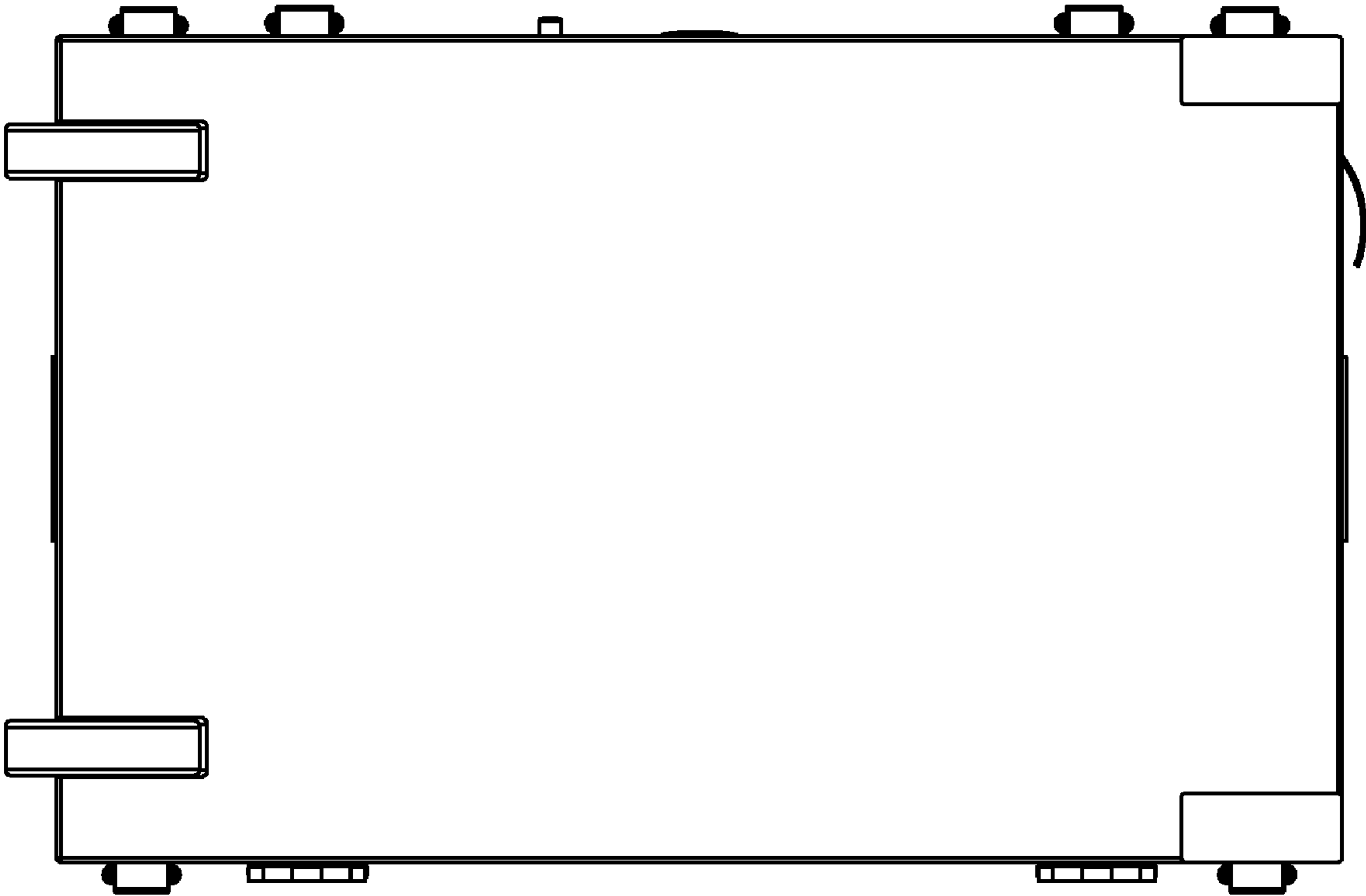




FIG. 15

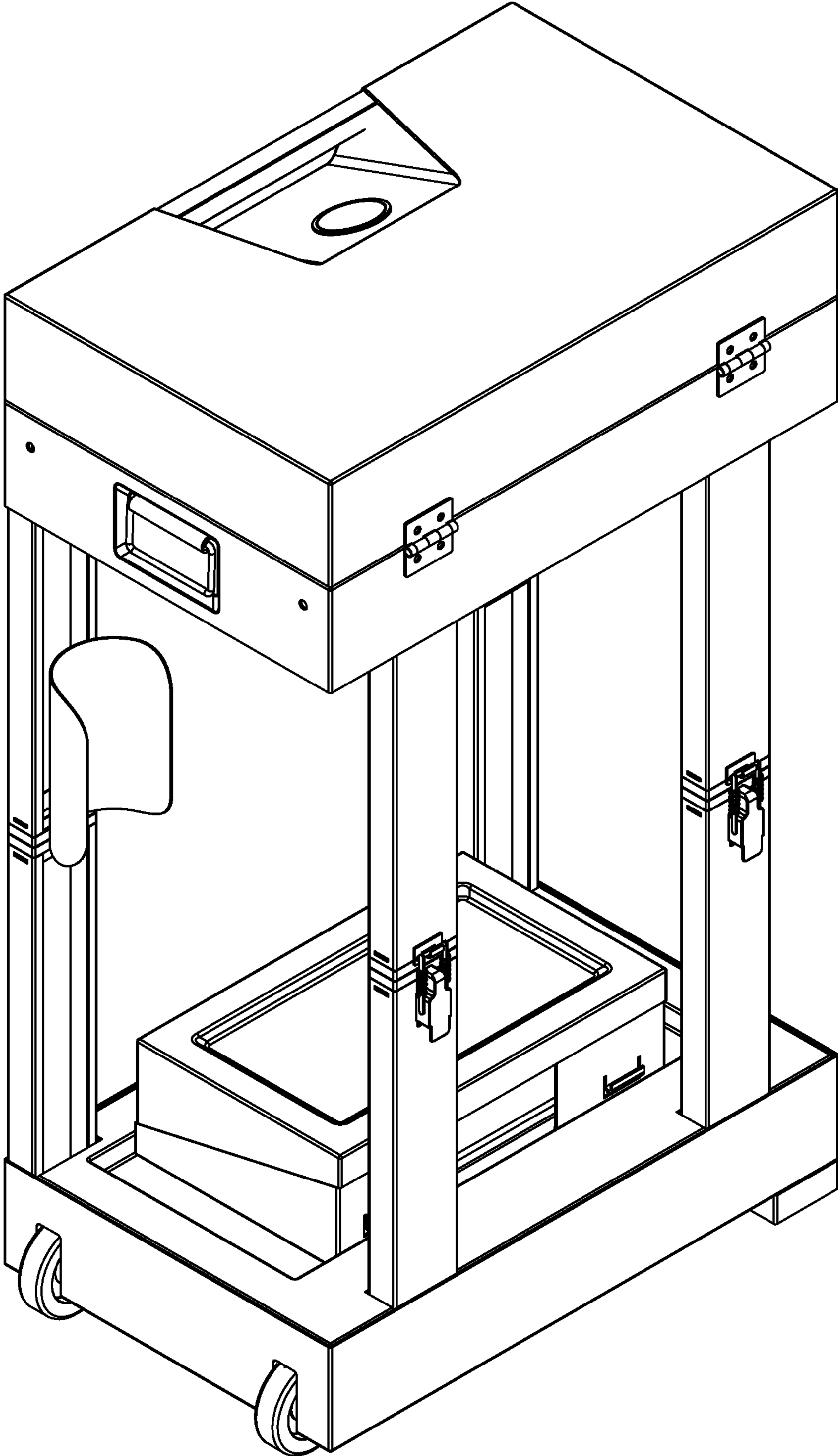


FIG. 16

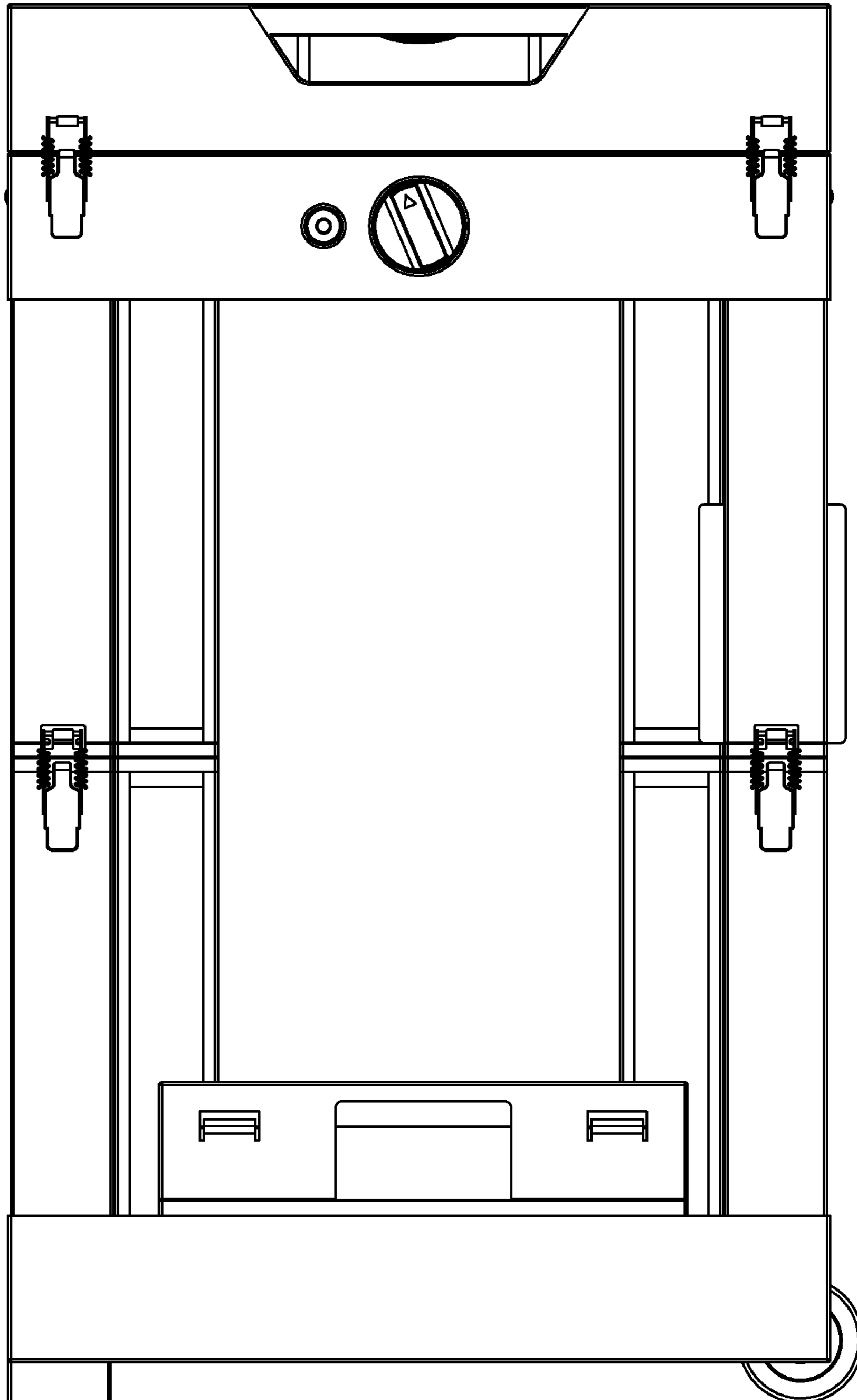


FIG. 17

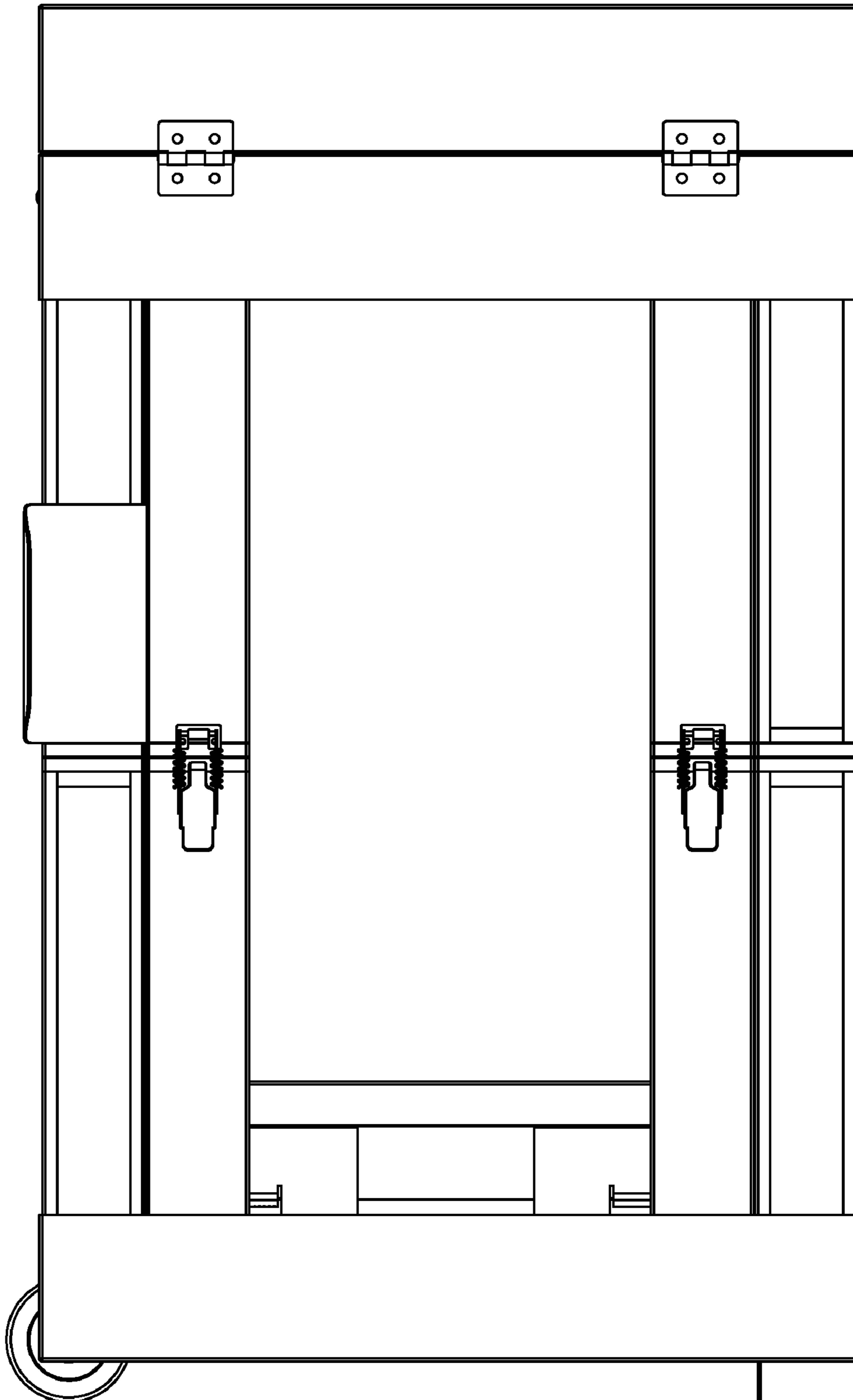


FIG. 18

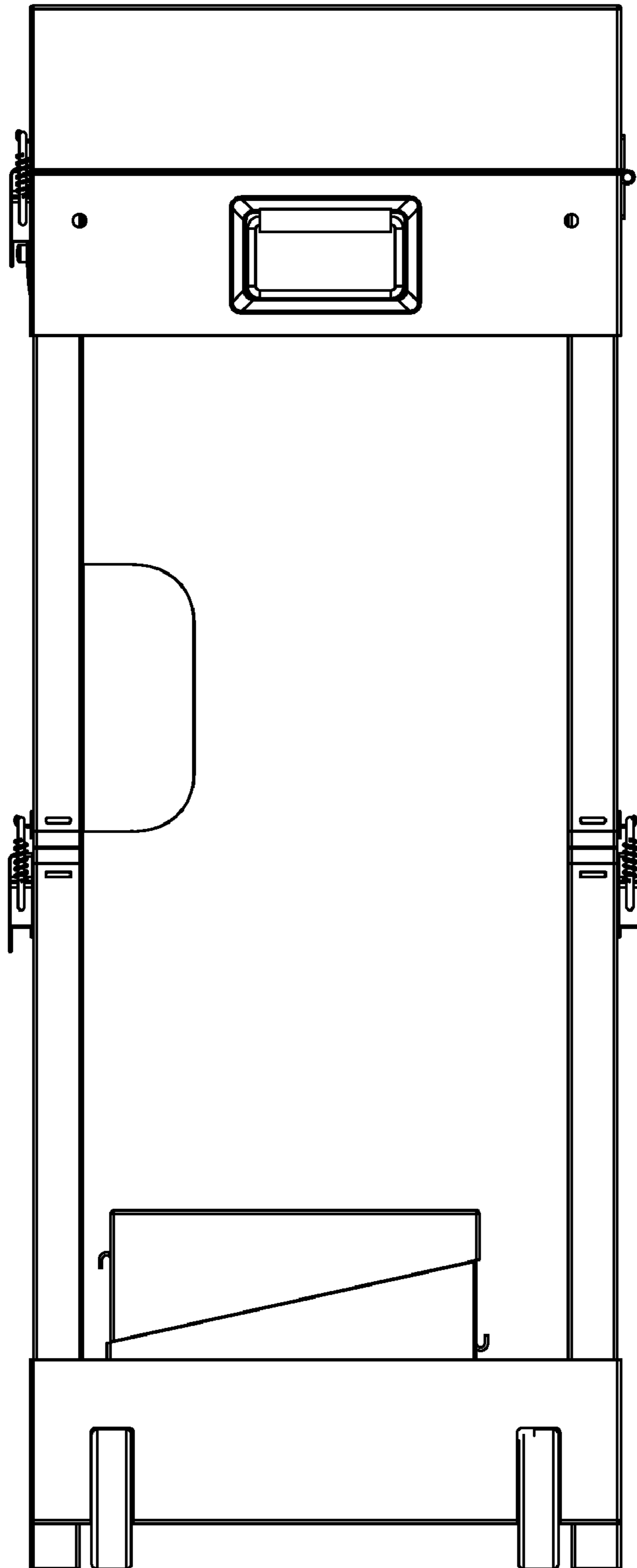


FIG. 19

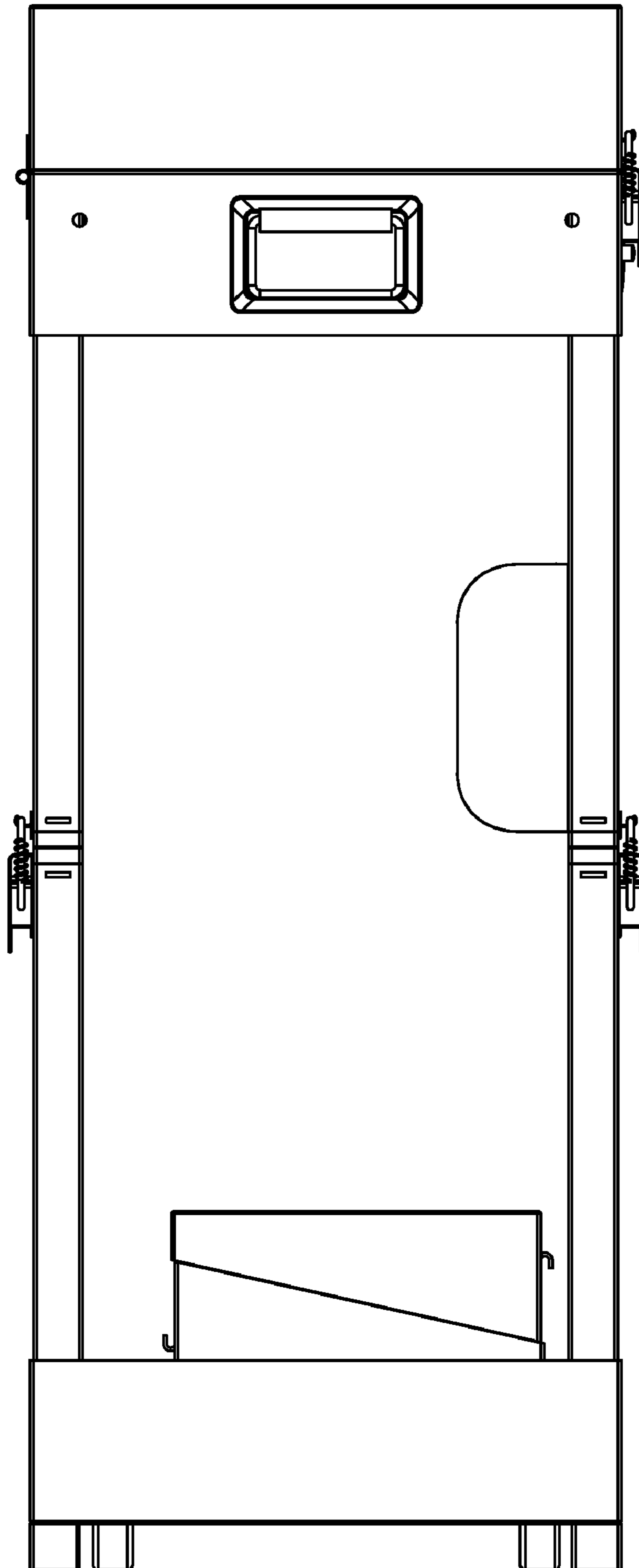


FIG. 20

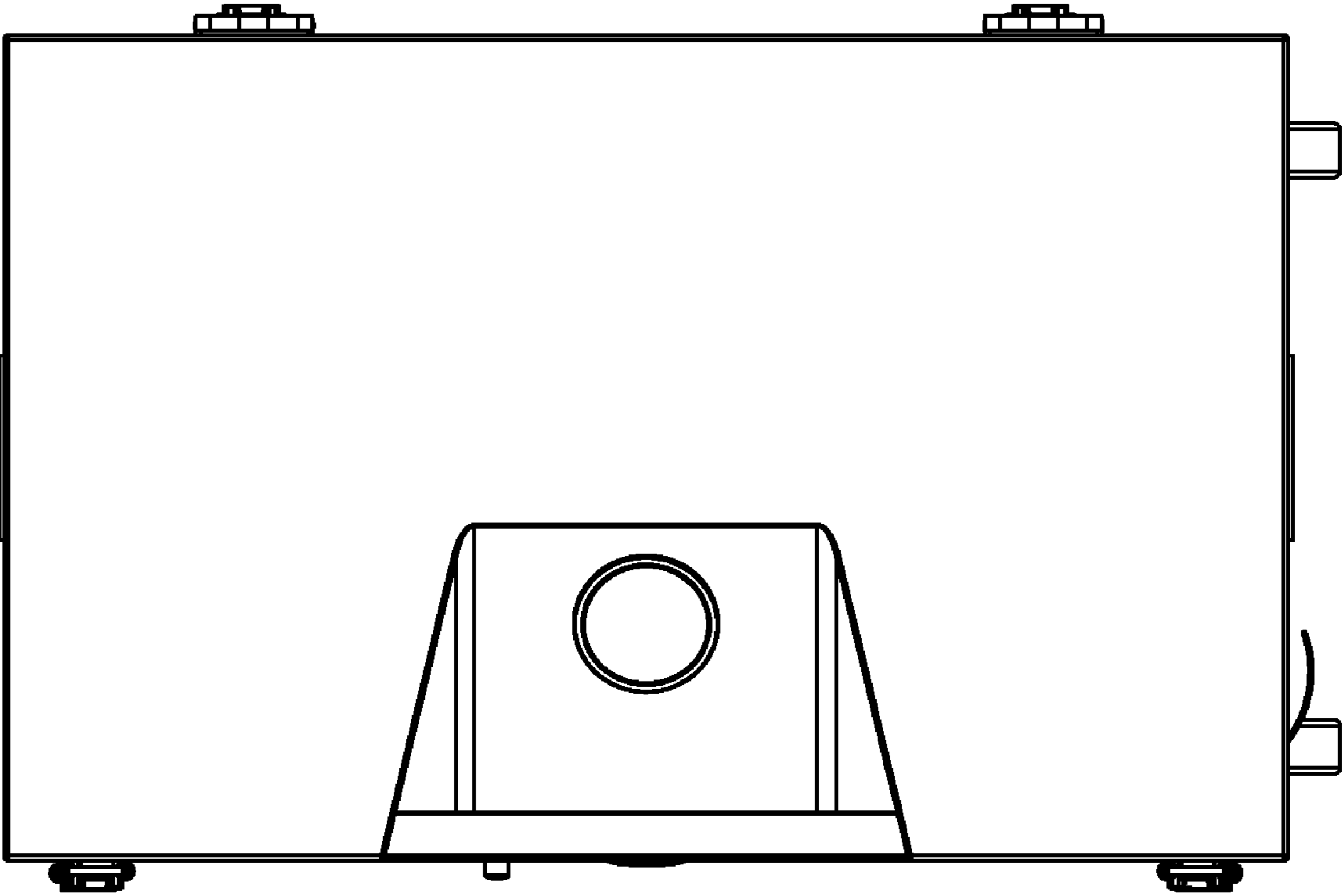


FIG. 21

