



US00D619840S

(12) **United States Design Patent**
Davis

(10) **Patent No.:** **US D619,840 S**

(45) **Date of Patent:** **** Jul. 20, 2010**

(54) **BATHROOM ACCESSORY**

(76) Inventor: **Lovie Davis**, 9050 Walnut St.,
Bellflower, CA (US) 90706

(**) Term: **14 Years**

(21) Appl. No.: **29/315,072**

(22) Filed: **May 26, 2009**

(51) **LOC (9) Cl.** **23-02**

(52) **U.S. Cl.** **D6/527**

(58) **Field of Classification Search** D6/513-523,
D6/525, 527; D3/201; 206/389, 391, 407,
206/409; 312/34.1, 34.8; 211/16, 85.5, 13.1,
211/59.2; 221/92, 97, 185, 282-284; 242/159,
242/160.2, 550, 560, 590, 595, 588, 598

See application file for complete search history.

(56) **References Cited**

U.S. PATENT DOCUMENTS

6,302,350 B1 * 10/2001 Burrell et al. 242/560
D547,983 S * 8/2007 Jackson, III D6/520

D554,402 S * 11/2007 Krueger D6/523
D582,710 S 12/2008 Perlman D6/525

* cited by examiner

Primary Examiner—Brian N Vinson

(74) *Attorney, Agent, or Firm*—Chris Papageorge

(57) **CLAIM**

The ornamental design for a bathroom accessory, as shown and described.

DESCRIPTION

FIG. 1 is a front perspective view of a bathroom accessory showing my new design.

FIG. 2 is a front elevation view of the bathroom accessory.

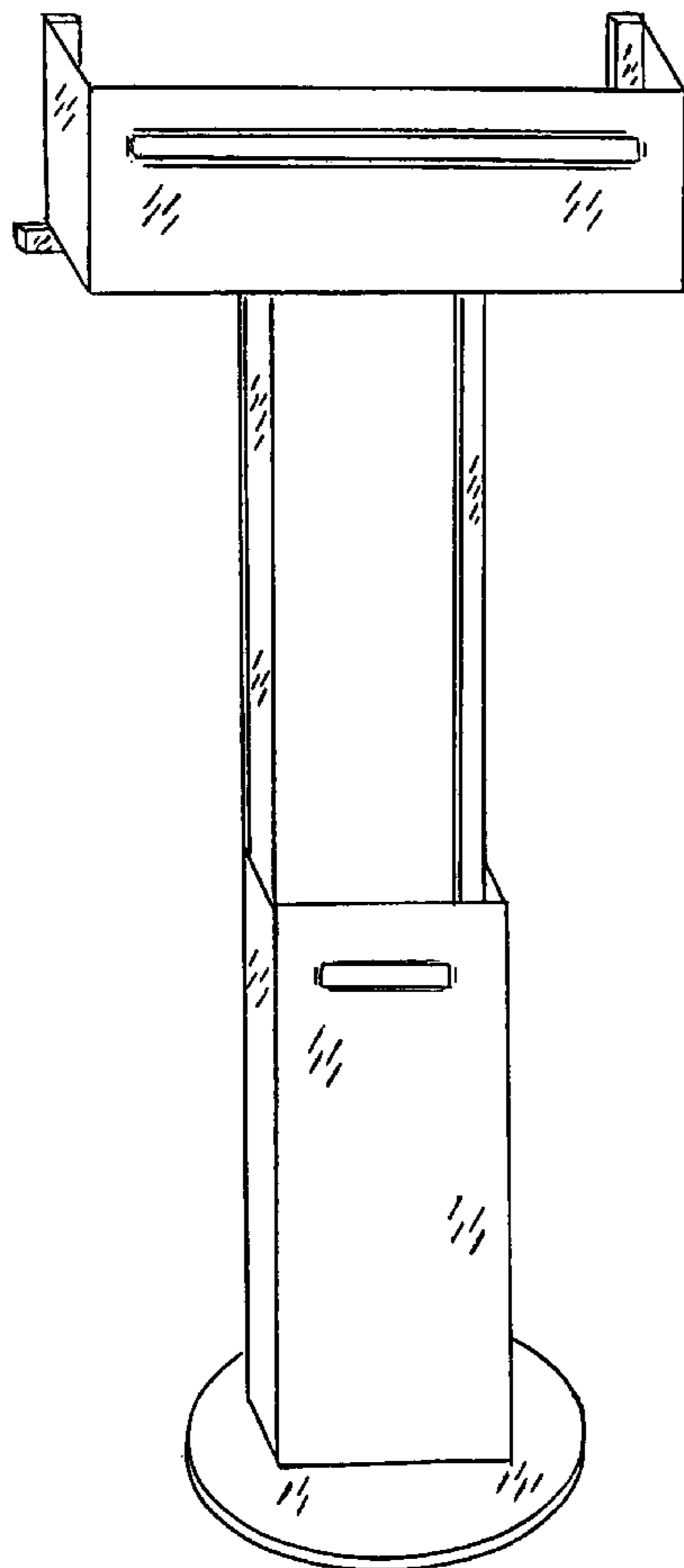
FIG. 3 is a back elevation view thereof, the broken-line showings of a paper towel roll and a toilet paper roll are for illustrative purposes only, the rolls not being part of the claimed design.

FIG. 4 is a side elevation view thereof, the other side being identical.

FIG. 5 is a top view thereof; and,

FIG. 6 is a bottom view thereof.

1 Claim, 3 Drawing Sheets



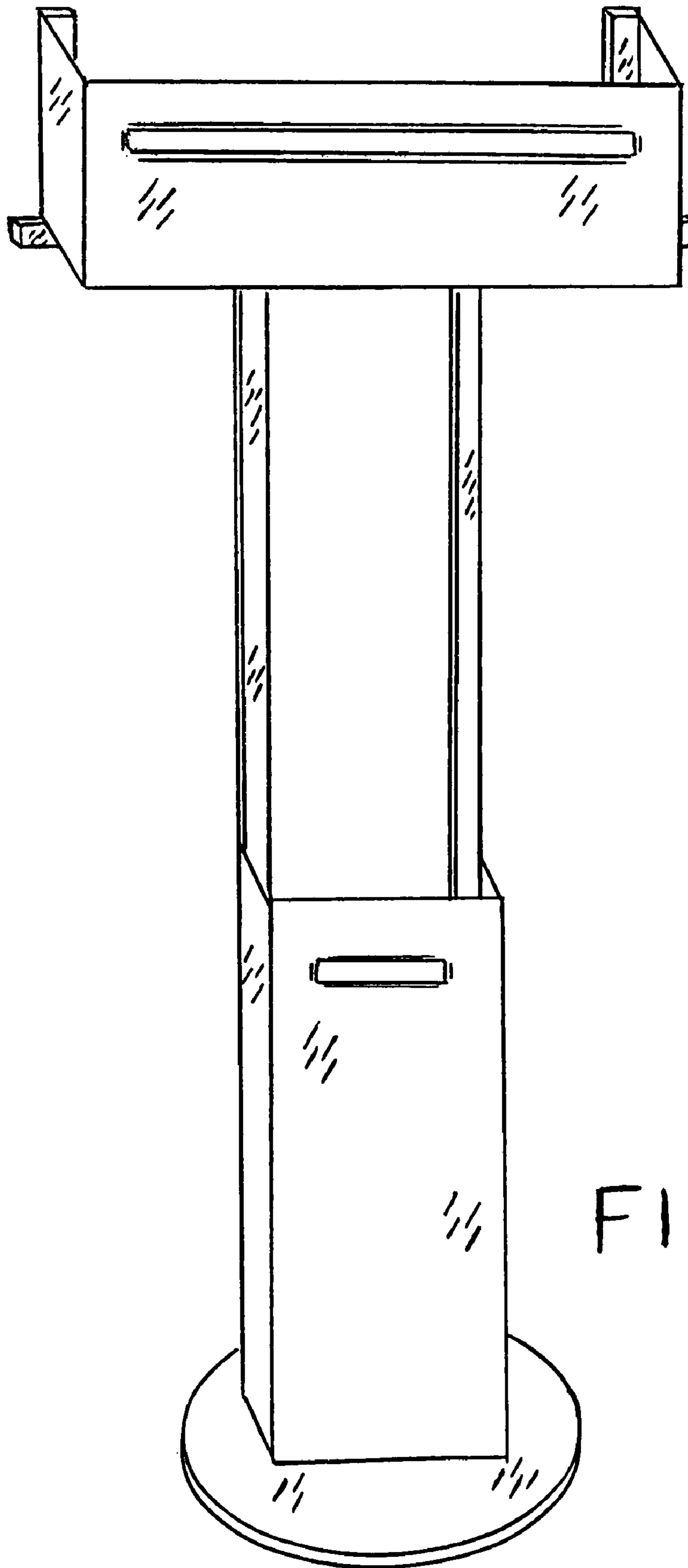
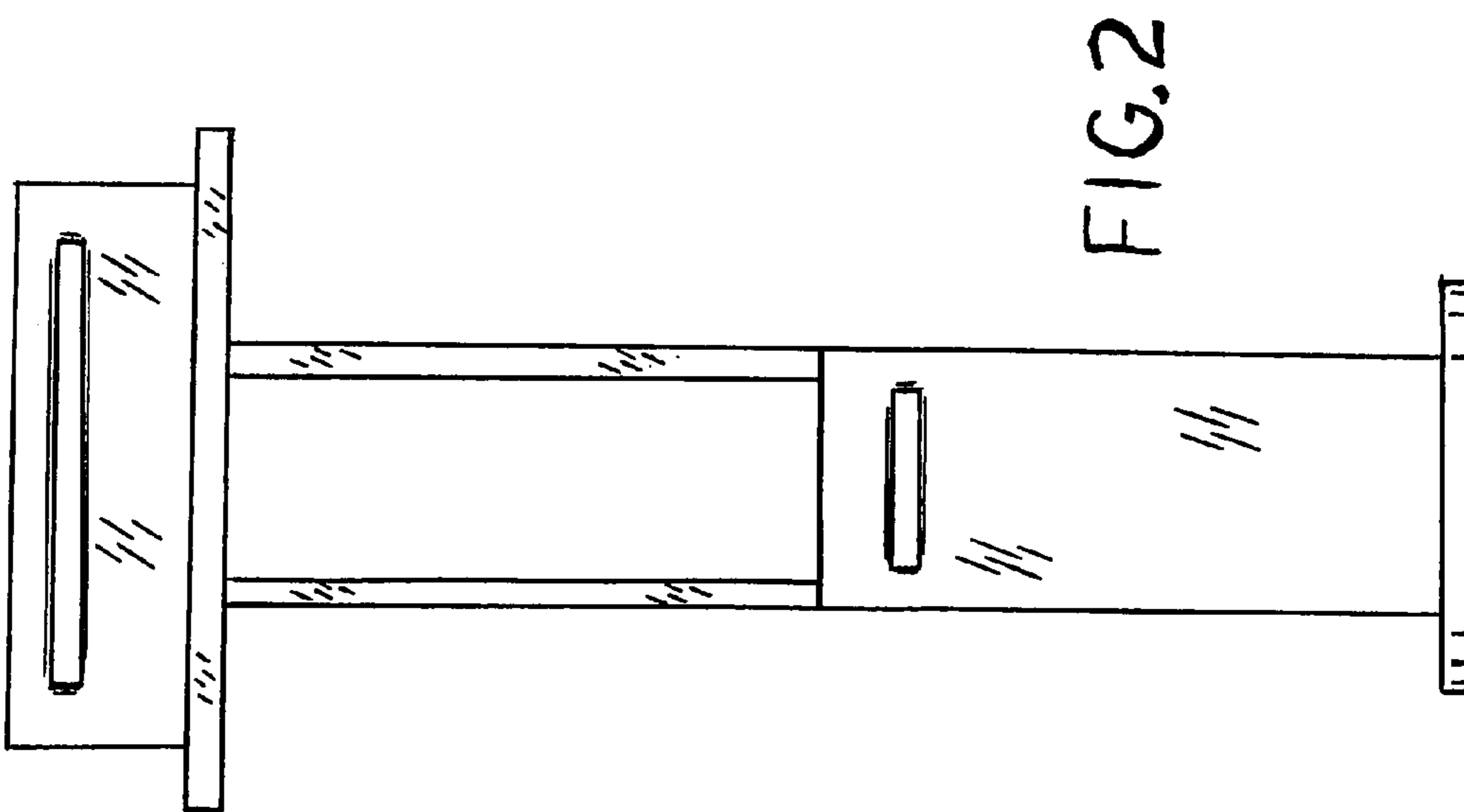
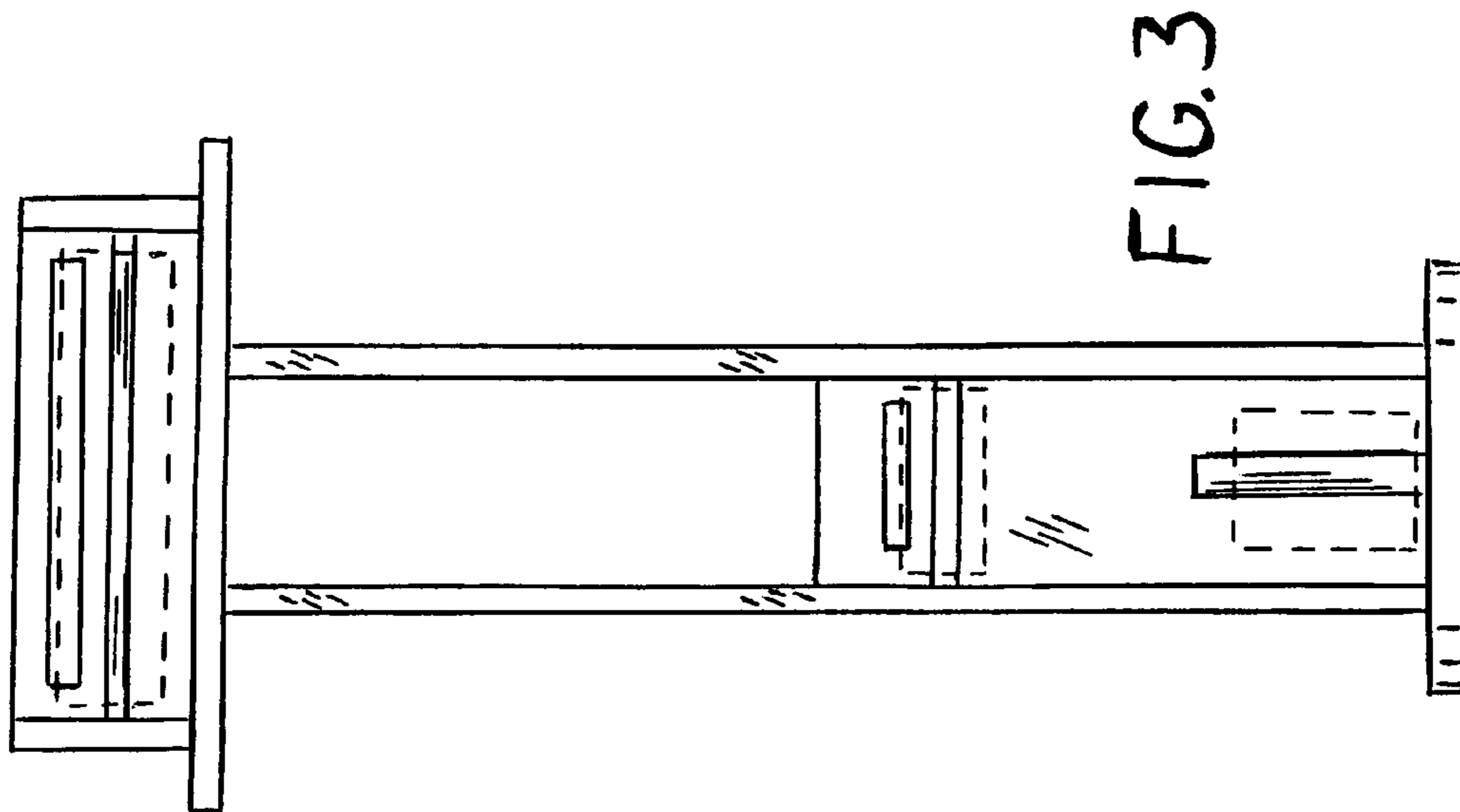


FIG. 1



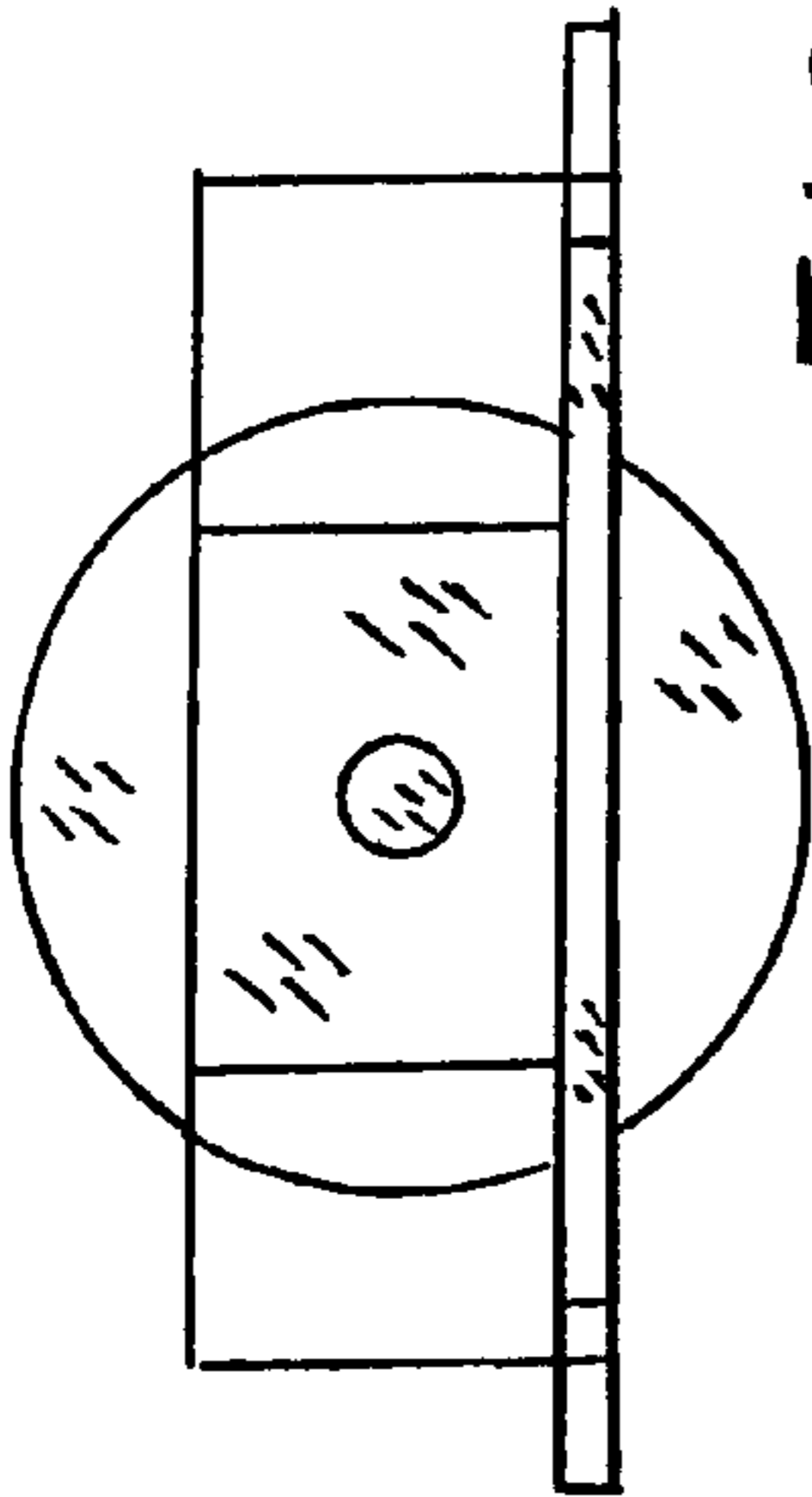


FIG. 5

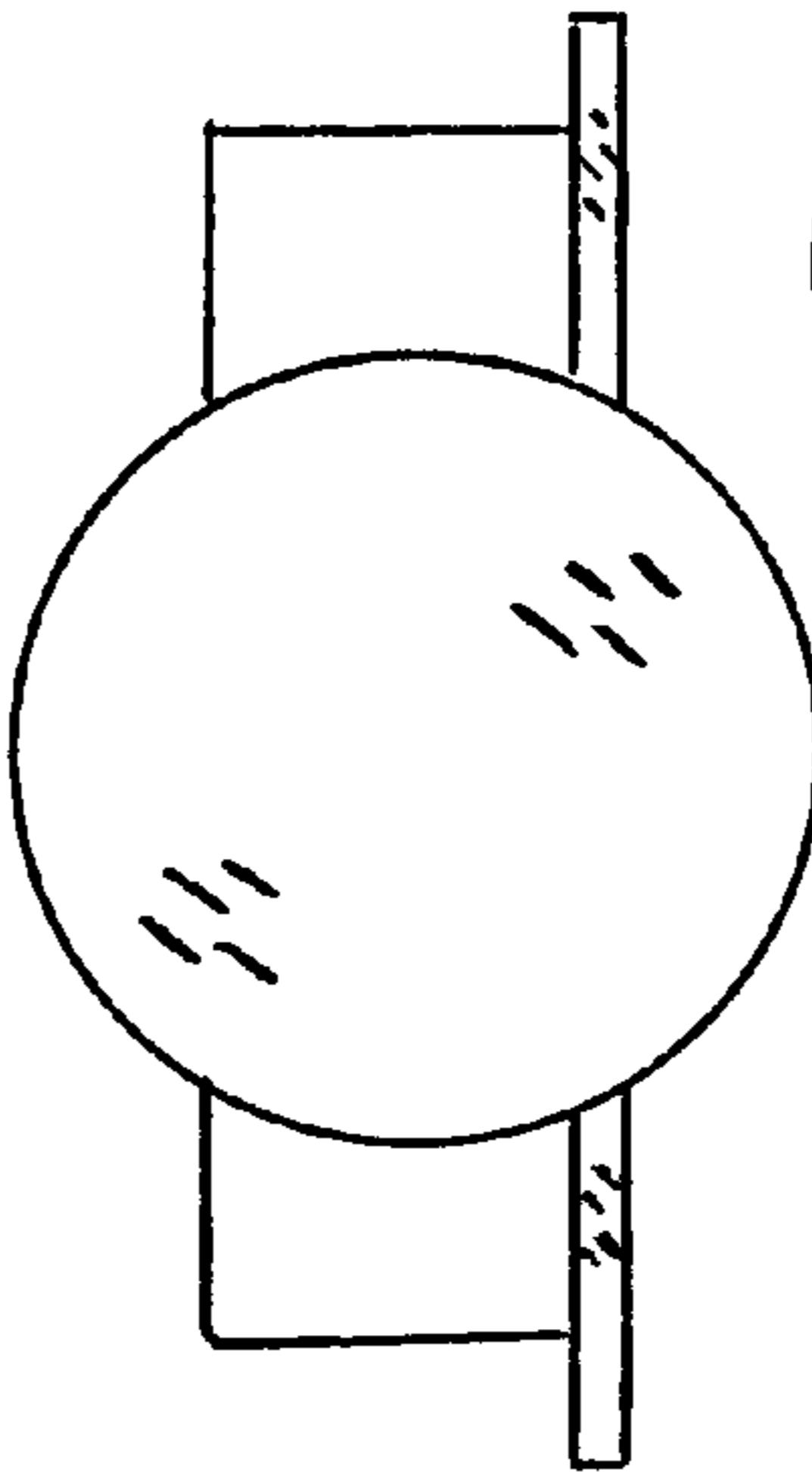


FIG. 6

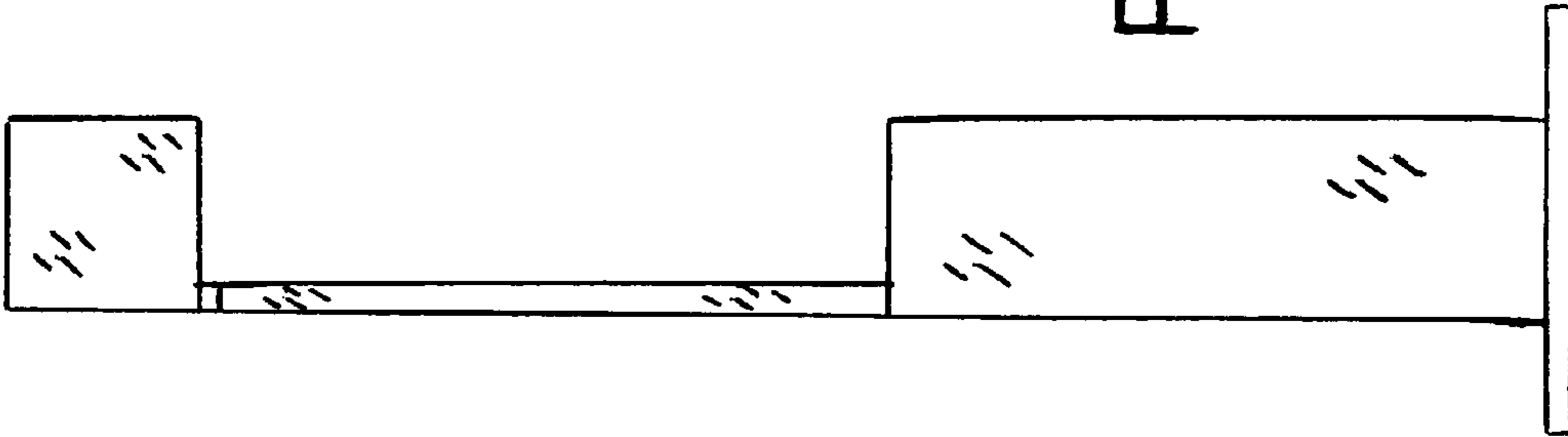


FIG. 4