



US00D619834S

(12) **United States Design Patent**  
**Koller et al.**

(10) **Patent No.:** **US D619,834 S**  
(45) **Date of Patent:** **\*\* Jul. 20, 2010**

(54) **STORAGE PANEL**

(75) Inventors: **Barbara J. Koller**, Rock Hill, SC (US);  
**Christina Spatz**, Rock Hill, SC (US)

(73) Assignee: **Springs Global US, Inc.**, Fort Mill, SC (US)

(\*\*) Term: **14 Years**

(21) Appl. No.: **29/359,977**

(22) Filed: **Apr. 19, 2010**

(51) **LOC (9) Cl.** ..... **06-06**

(52) **U.S. Cl.** ..... **D6/514; D6/553**

(58) **Field of Classification Search** ..... D6/512-514,  
D6/524-525, 552-553, 567-570, 315, 317-320,  
D6/323, 326; D3/201, 203.1, 205, 903; 206/730,  
206/214, 575, 579, 581, 38, 6.1, 278-279,  
206/288-289; 211/13.1, 10, 85.2, 85.3, 85.7,  
211/35, 41.12, 70.6, 86.01, 87.01; 248/300,  
248/304, 309.1, 317

See application file for complete search history.

(56) **References Cited**

**U.S. PATENT DOCUMENTS**

D154,993 S *	8/1949	Crothers	.....	D6/565
D265,447 S *	7/1982	Harris	.....	D6/553
D291,754 S *	9/1987	Griswold	.....	D6/553
D300,399 S *	3/1989	Krugman	.....	D6/553
D318,641 S *	7/1991	Schwartz	.....	D6/513
D543,760 S *	6/2007	Utzinger, III	.....	D6/553
D556,486 S *	12/2007	Boutin	.....	D6/567
D556,488 S *	12/2007	Boutin	.....	D6/567

\* cited by examiner

*Primary Examiner*—Brian N Vinson

(74) *Attorney, Agent, or Firm*—Myers Bigel Sibley & Sajovec, P.A.

(57) **CLAIM**

The ornamental design for a storage panel, as shown and described.

**DESCRIPTION**

FIG. 1 is a front perspective view of a storage panel, showing our new design;

FIG. 2 is a front plan view thereof;

FIG. 3 is a rear plan view thereof, opposite that shown in FIG. 2;

FIG. 4 is a side view thereof;

FIG. 5 is a side view thereof, opposite that shown in FIG. 4;

FIG. 6 is an end view thereof;

FIG. 7 is an end view thereof, opposite that shown in FIG. 6;

FIG. 8 is a front perspective view thereof in a raised configuration;

FIG. 9 is a front plan view of the storage panel shown in FIG. 8;

FIG. 10 is a rear plan view thereof, opposite that shown in FIG. 9;

FIG. 11 is a side view of the storage panel shown in FIG. 8;

FIG. 12 is a side view thereof, opposite that shown in FIG. 11;

FIG. 13 is an end view of the storage panel shown in FIG. 8;

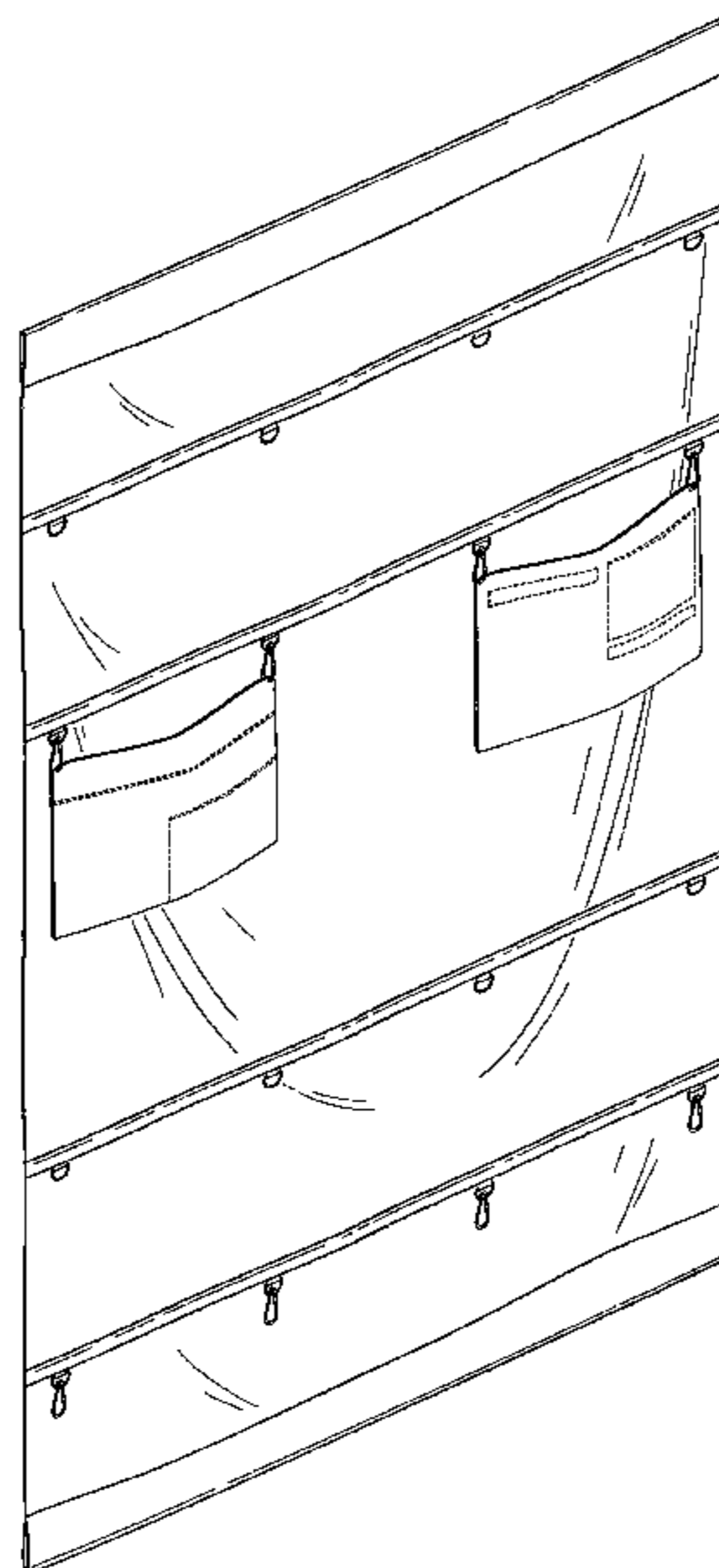
FIG. 14 is an end view thereof, opposite that shown in FIG. 13;

FIG. 15 is a front perspective view of the storage panel of FIG. 1 in an exemplary environment; and,

FIG. 16 is a front perspective view of the storage panel of FIG. 1 in another exemplary environment.

The broken lines shown herein are for illustrative purposes only and form no part of the claimed design.

**1 Claim, 11 Drawing Sheets**



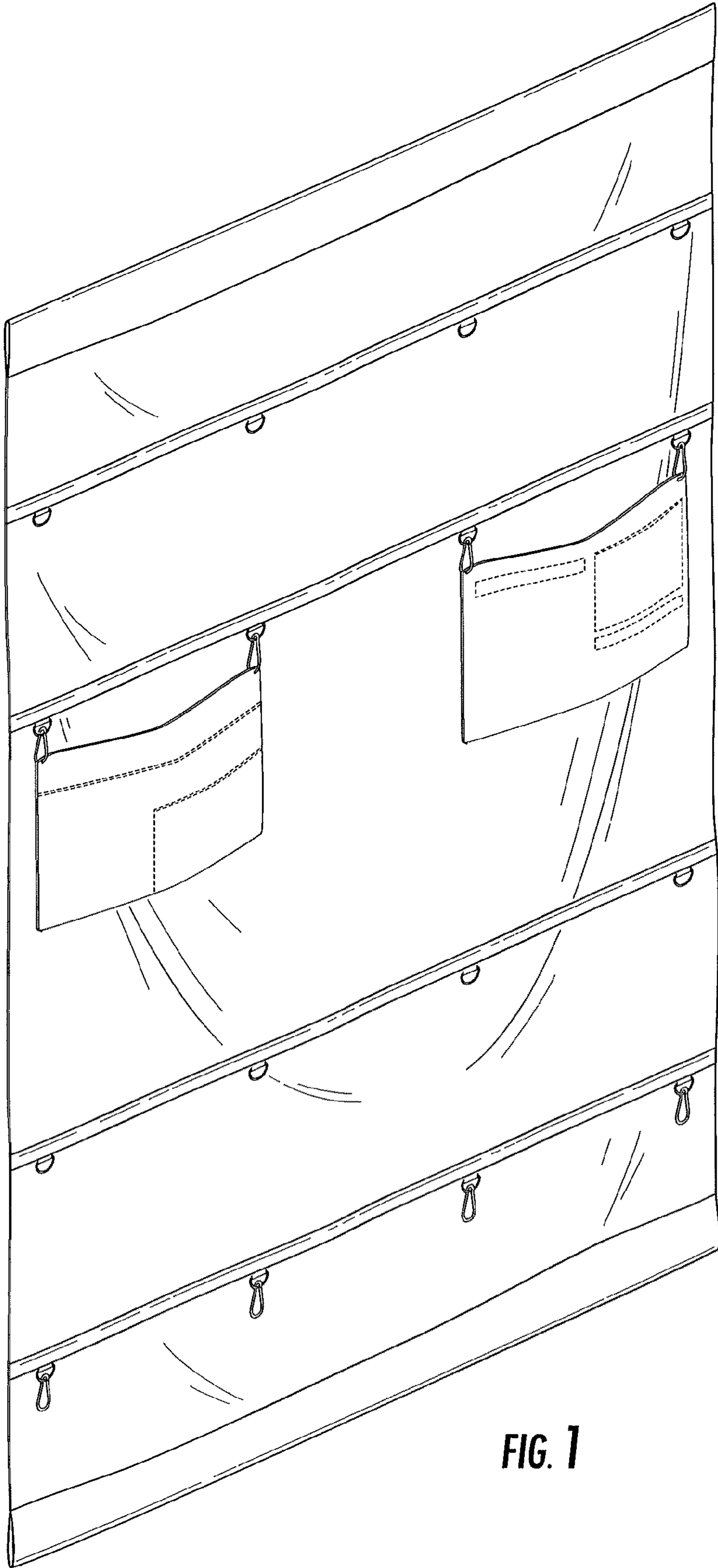


FIG. 1

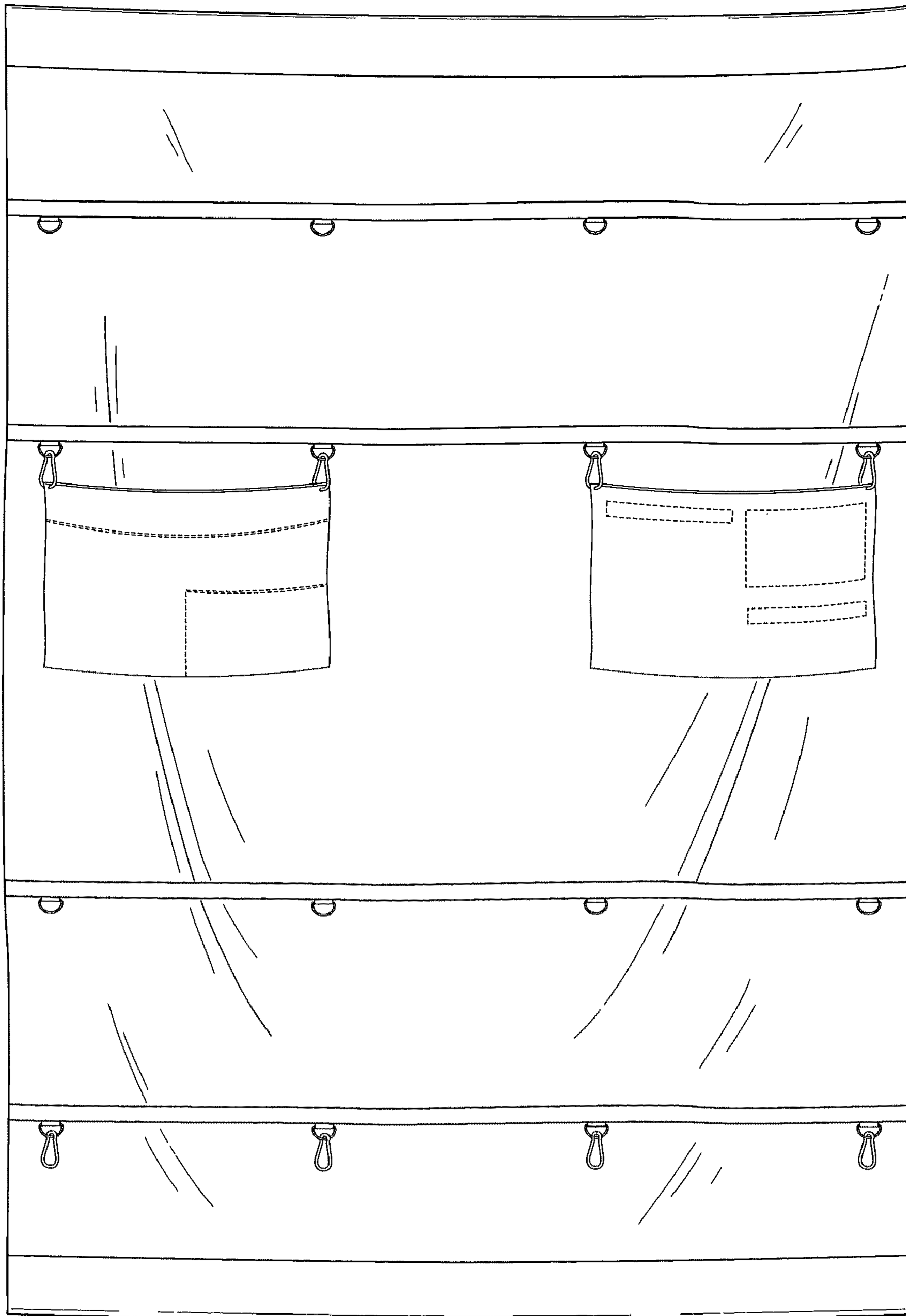
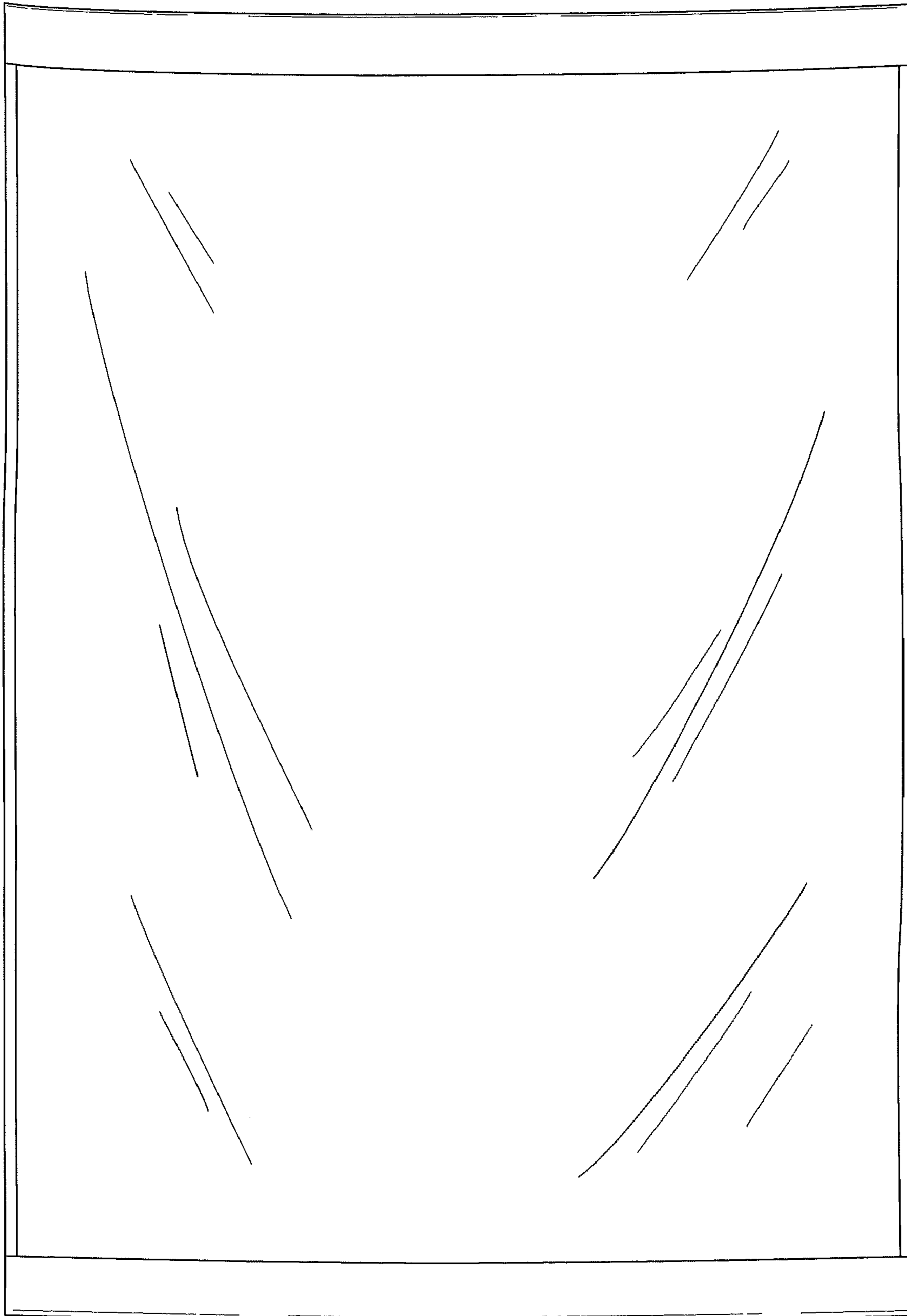


FIG. 2



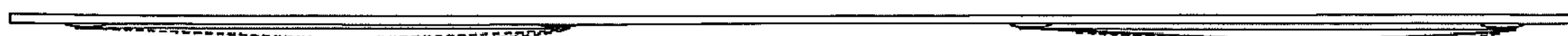
**FIG. 3**



**FIG. 4**



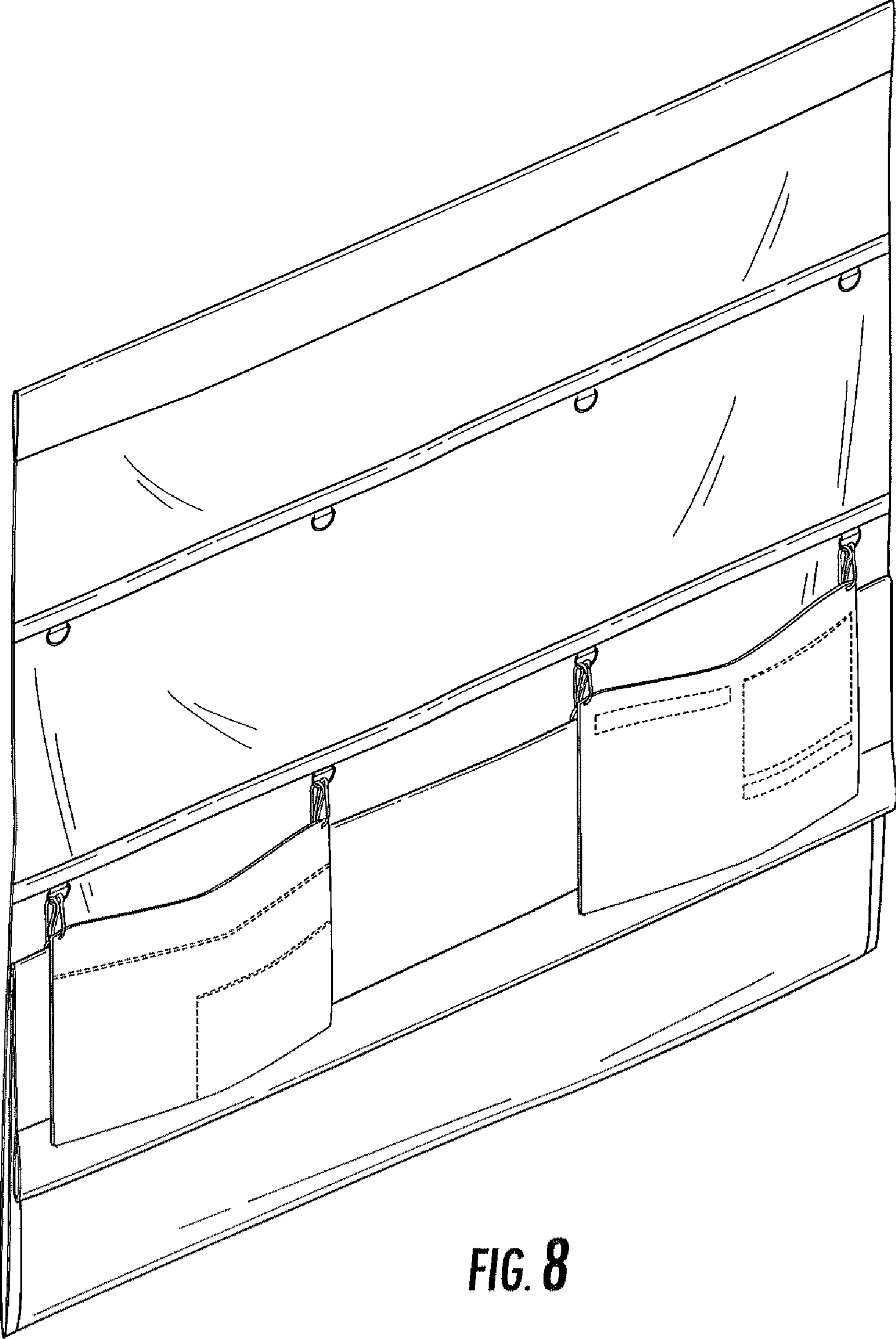
**FIG. 5**



**FIG. 6**



**FIG. 7**



**FIG. 8**

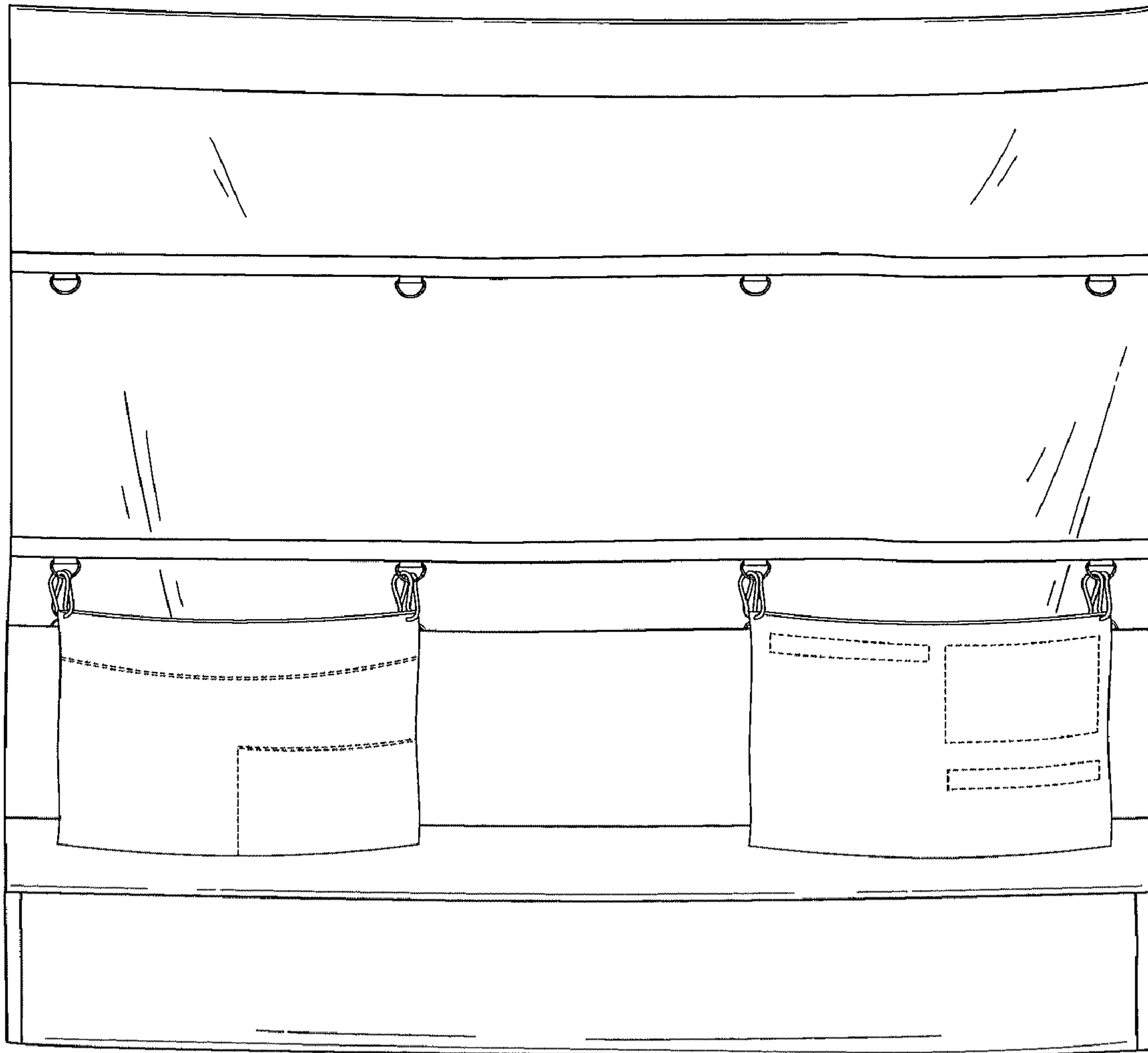
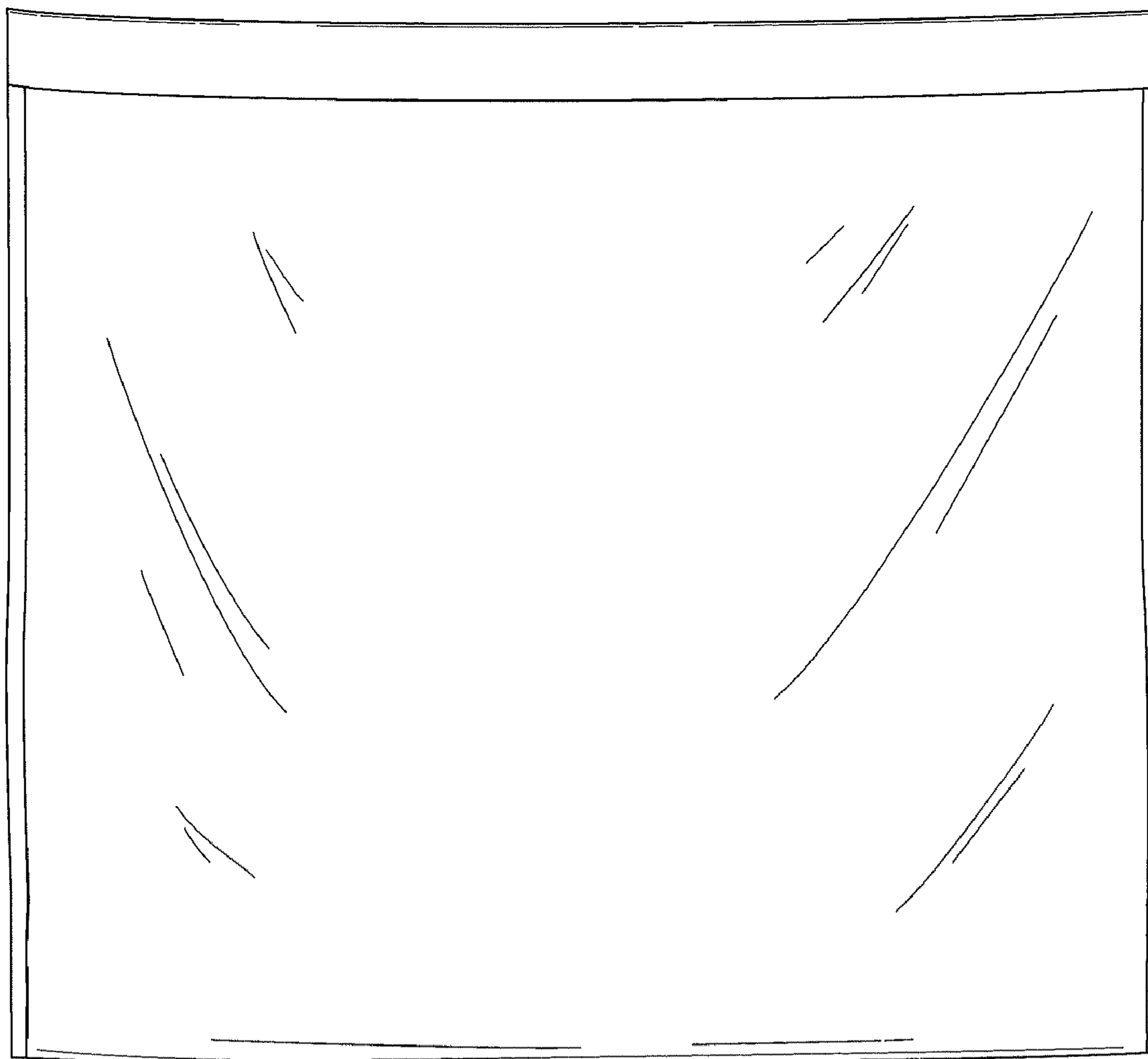


FIG. 9





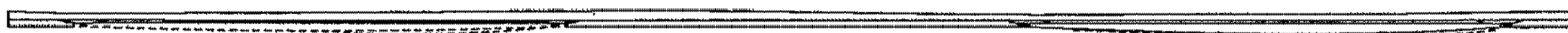
**FIG. 10**



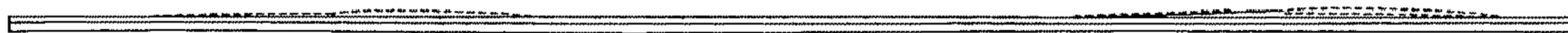
**FIG. 11**



**FIG. 12**



**FIG. 13**



**FIG. 14**

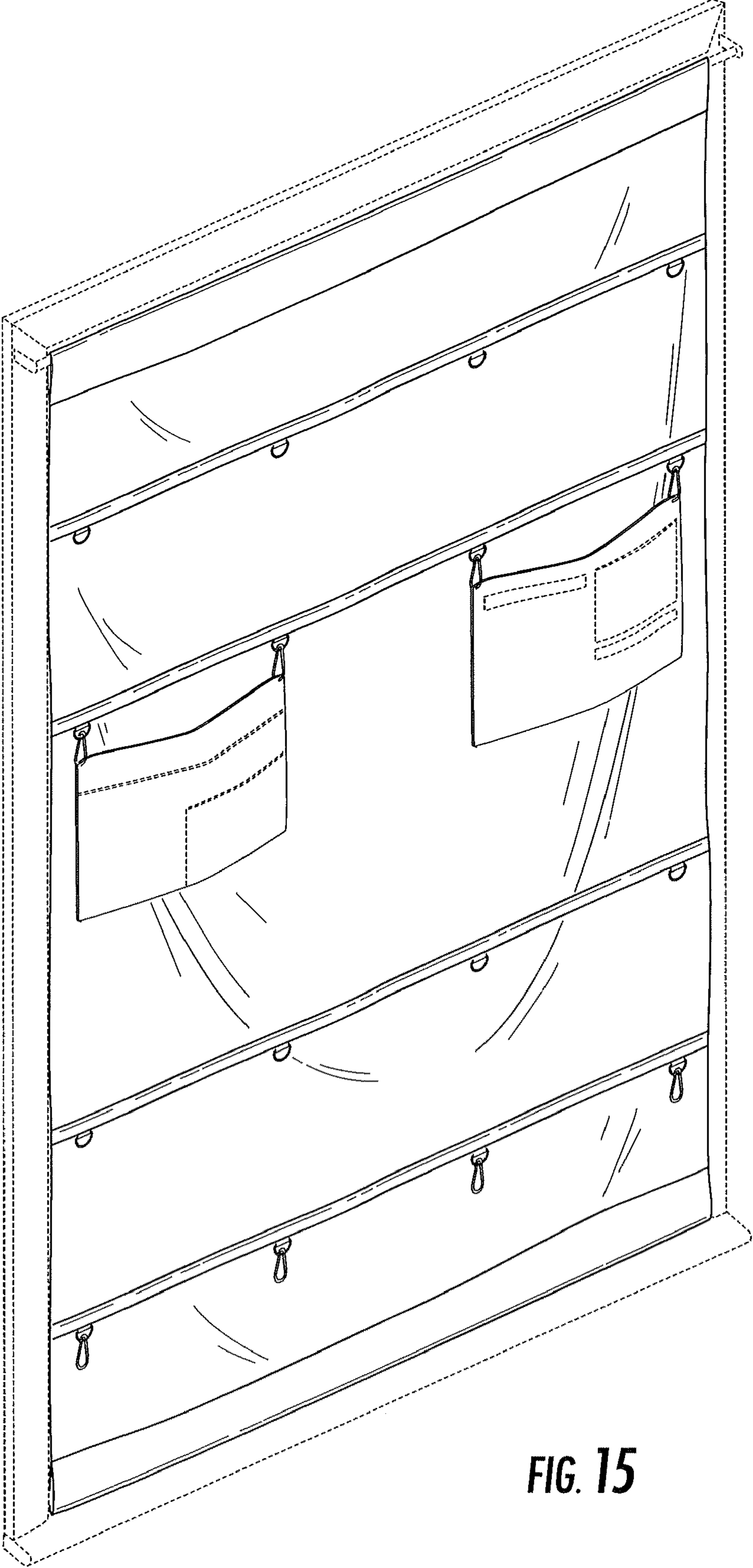


FIG. 15

