



US00D619832S

(12) **United States Design Patent**
Zalewski et al.

(10) **Patent No.:** **US D619,832 S**
(45) **Date of Patent:** **** Jul. 20, 2010**

(54) **DRAWER**

Primary Examiner—Mimosa De
(74) *Attorney, Agent, or Firm*—Griffiths & Seaton PLLC

(75) Inventors: **Kevin Zalewski**, Rochester Hills, MI (US); **Dirk Ahlgrim**, Cambridge, MA (US); **Jared Judson**, Medford, MA (US); **Monica Kuznik**, Padua (IT); **Samuel Palmer**, Arlington, MA (US); **Gretchen Wustrack**, San Francisco, CA (US)

(57) **CLAIM**

The ornamental design for a drawer, as shown and described.

(73) Assignee: **Target Brands, Inc.**, Minneapolis, MN (US)

(**) Term: **14 Years**

(21) Appl. No.: **29/333,916**

(22) Filed: **Mar. 17, 2009**

(51) **LOC (9) Cl.** **06-06**

(52) **U.S. Cl.** **D6/510**

(58) **Field of Classification Search** D6/396,
D6/397, 432–436, 441, 444–448, 509, 510,
D6/511; 312/107, 108, 109, 111, 114, 138.1,
312/204, 249.1, 257.1, 280, 290, 330.1, 332.1,
312/348.4; D3/212, 272, 273, 296, 297,
D3/304; D9/414; D19/86, 92

See application file for complete search history.

(56) **References Cited**

U.S. PATENT DOCUMENTS

2,121,190 A 6/1938 Fellowes

(Continued)

FOREIGN PATENT DOCUMENTS

FR 2316679 1/1977

(Continued)

OTHER PUBLICATIONS

“iCube, my cube, my space™”, materials publicly provided in an offer to sell the associated product at least as early as Apr. 23, 2008, 22 pages.

(Continued)

DESCRIPTION

The present application is related to pending U.S. Utility patent application Ser. No. 11/851,165, entitled “Storage and Organization System and Components Thereof;” filed Sep. 6, 2007; pending U.S. Design application Ser. No. 29/284,375, entitled “Storage Bin,” filed Sep. 6, 2007; pending U.S. Design application Ser. No. 29/284,379, entitled “Lid Portion,” filed Sep. 6, 2007; pending U.S. Design application Ser. No. 29/329,629, entitled “Storage Bin,” filed Dec. 18, 2008; pending U.S. Provisional application Ser. No. 61/160,977, entitled “Storage and Organization System and Connectivity of the Components Therein,” filed Mar. 17, 2009; pending U.S. Provisional application Ser. No. 61/161,019, entitled “Storage and Organization System With Stackable Shells,” filed Mar. 17, 2009; pending U.S. Design application Ser. No. 29/333,915, entitled “Storage Unit and Storage Unit Portions,” filed Mar. 17, 2009; pending U.S. Design application Ser. No. 29/333,917, entitled “Supporting Base,” filed Mar. 17, 2009; and pending U.S. Design application Ser. No. 29/333,918, entitled “Tray,” filed Mar. 17, 2009; all of which are incorporated herein by reference.

FIG. 1 is a top perspective view of a drawer, according to the invention;

FIG. 2 is a bottom perspective view thereof;

FIG. 3 is a top view thereof;

FIG. 4 is a bottom view thereof;

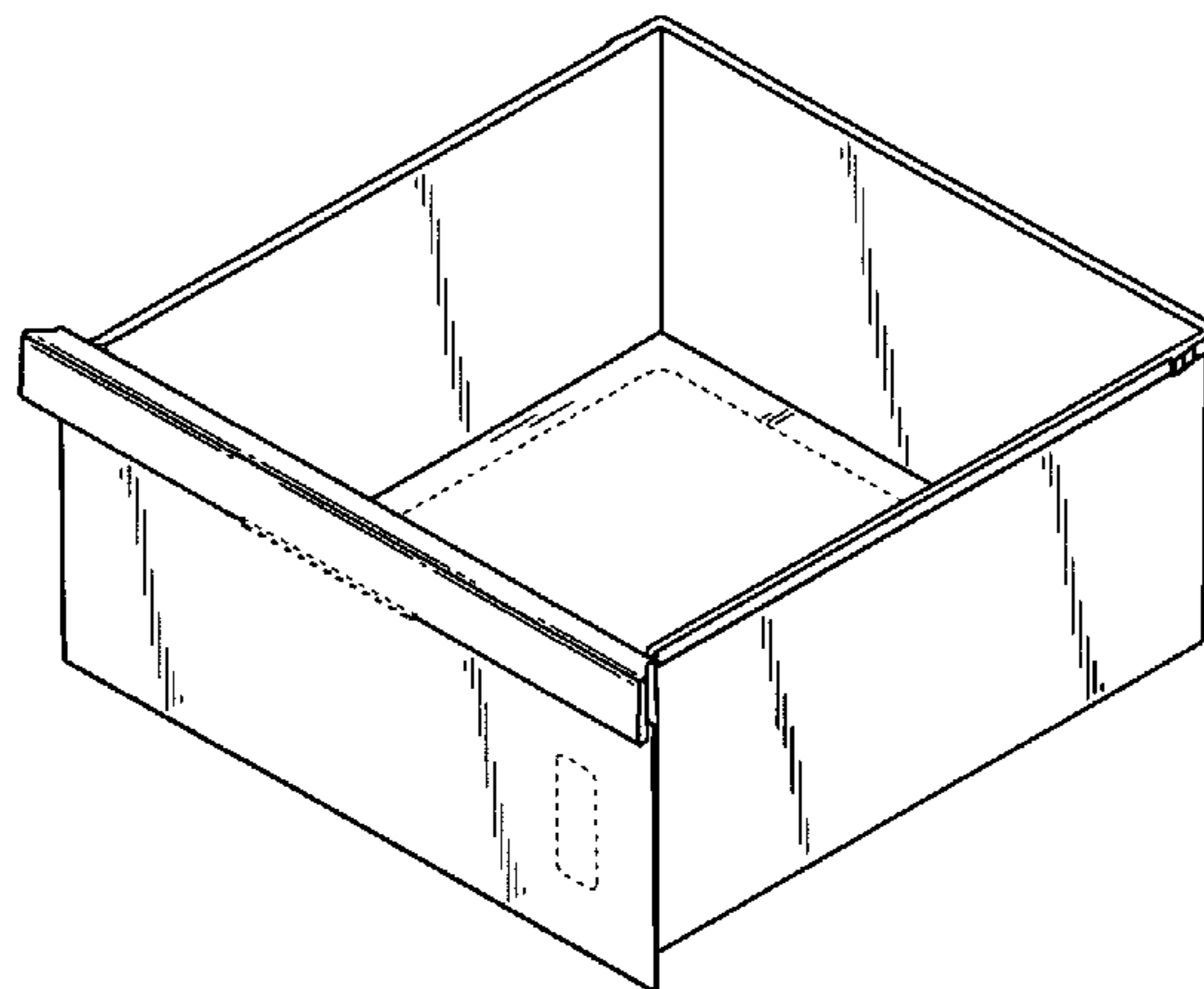
FIG. 5 is a front view thereof;

FIG. 6 is a rear view thereof; and,

FIG. 7 is a left side view thereof; the right side view being a mirror image of the right side view.

The broken lines shown in the figures are for illustrative purposes only and form no part of the claimed design.

1 Claim, 3 Drawing Sheets



U.S. PATENT DOCUMENTS

3,254,786 A 6/1966 Melville
 3,279,873 A 10/1966 Gronquist
 3,421,656 A 1/1969 Asenbauer
 3,468,591 A 9/1969 Wodli
 3,563,624 A 2/1971 Stice
 3,583,780 A 6/1971 Berkowitz
 3,661,434 A 5/1972 Alster
 3,722,704 A 3/1973 Piretti
 3,836,217 A 9/1974 Shiina
 3,853,367 A 12/1974 Jamison et al.
 3,874,753 A 4/1975 Naito et al.
 3,885,845 A 5/1975 Krieks
 D238,051 S 12/1975 Fier, Jr.
 4,192,562 A 3/1980 Bishoff et al.
 D255,632 S * 7/1980 Litchfield et al. D6/510
 4,261,627 A 4/1981 Felsenthal
 4,403,554 A 9/1983 Valentine et al.
 4,448,463 A 5/1984 Amos
 4,470,647 A 9/1984 Bishoff et al.
 D278,664 S * 5/1985 Ferdinand et al. D6/510
 5,147,120 A 9/1992 Ray
 D330,161 S 10/1992 Schuh
 5,176,435 A 1/1993 Pipkens
 D349,646 S 8/1994 Dickinson
 D358,328 S 5/1995 Huerto et al.
 D360,778 S * 8/1995 Apt et al. D6/448
 5,464,295 A 11/1995 Dailiot
 5,466,058 A 11/1995 Chan
 5,486,041 A 1/1996 Sykes
 5,492,399 A 2/1996 Tillack
 D368,162 S 3/1996 Miller
 D376,259 S 12/1996 Dickinson et al.
 5,647,649 A 7/1997 Kao
 D388,986 S * 1/1998 Dittberner et al. D6/510
 5,716,116 A 2/1998 Carlson et al.
 5,921,646 A 7/1999 Hwang
 5,941,616 A 8/1999 Billingham
 D421,678 S 3/2000 Levy
 D427,769 S 7/2000 Zimmerman
 6,113,203 A 9/2000 Chen
 D437,706 S 2/2001 Alcalá et al.
 6,488,346 B2 12/2002 Chen
 6,508,021 B2 1/2003 Ong
 D495,248 S 8/2004 Krebs et al.
 6,820,950 B1 11/2004 Sun
 6,848,758 B1 2/2005 Yeh et al.
 D502,812 S * 3/2005 Zimmerman D3/297
 D505,817 S * 6/2005 Jackson D6/510
 D506,090 S * 6/2005 Ben-Or D6/448

6,938,966 B1 9/2005 Rouwhorst
 RE38,836 E 10/2005 Krause et al.
 7,231,740 B2 6/2007 Jirele
 7,306,298 B2 * 12/2007 Doerfler et al. 312/257.1
 D597,341 S * 8/2009 Stein et al. D6/446
 2002/0185941 A1 12/2002 Ferraro et al.
 2003/0222545 A1 12/2003 Stravitz
 2003/0230957 A1 * 12/2003 Doerfler et al. 312/257.1
 2004/0164653 A1 8/2004 Winkless
 2004/0217677 A1 11/2004 Durand et al.
 2005/0006991 A1 1/2005 Saravis
 2005/0077805 A1 4/2005 Dalebout et al.
 2006/0250052 A1 11/2006 Davis et al.

FOREIGN PATENT DOCUMENTS

GB 2206280 1/1989
 GB 2355672 5/2001
 GB 2370239 A 6/2002
 WO 8700406 1/1987
 WO 9920153 4/1999

OTHER PUBLICATIONS

Egan Visual, Inc., "Modular Storage . . . configured to your requirements," 2004, 2 pages.
 Egan Visual, Inc., "Finish Schedule," Price and Specification Guide, Jul. 2002, 11 pages.
 Egan Visual, Inc., "Finish Schedule," Price and Specification Guide, Jul. 2002, 3 pages.
 Egan Visual, Inc., "Mobile Task Carts & Lockers—Product Design Rationale," 2004, 2 pages.
 Moduline Modular Aluminum Cabinets, "Moduline Pro-Series Combinations—Trailer Cabinets Organize With Style!—Modular Aluminum Storage Cabinets," printed from www.modulinecabinets.com in May 2006, 3 pages.
 "elfa® Platinum Garage System," printed from www.organize.com in May 2006, 2 pages.
 "The Cube Storage System," printed from www.organize.com in May 2006, 2 pages.
 "Storage Cubes: A Unique 5 Piece Modular Storage System—Cherry," printed from www.organize.com in May 2006, 2 pages.
 "Closits Modular Furniture System—Maple," printed from www.target.com in May 2006, 3 pages.
 "QBO Storage Solution," www.topdeq.com/topdeq/product.do@catid=us_75&prodid=pp_QBO, printed in May 2006, 2 pages.
 "Cubo Modular Storage," www.topdeq.com/topdeq/product.do@catid=us_75&prodid=pp_CUBIC, printed in May 2006, 3 pages.

* cited by examiner

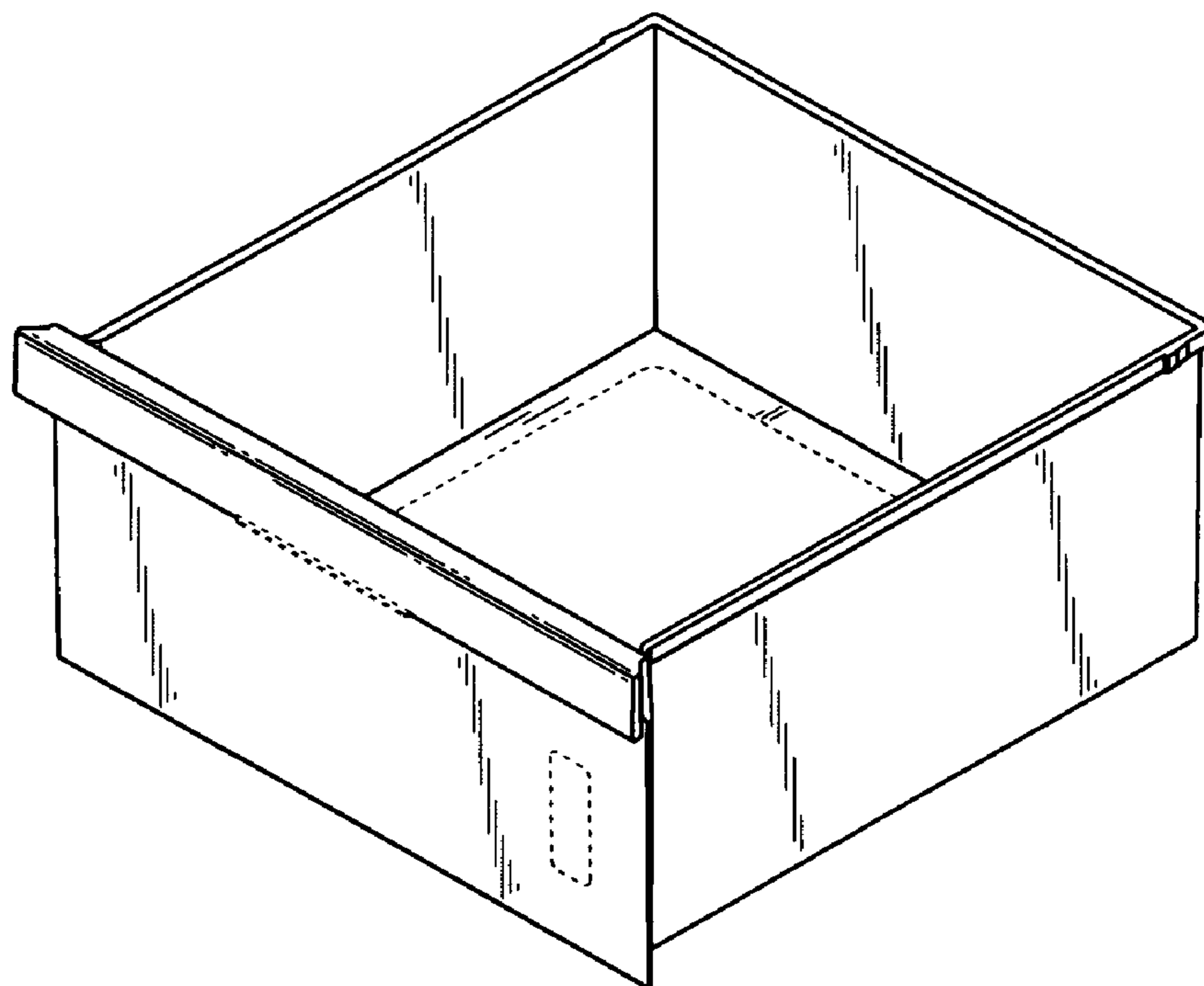


Fig. 1

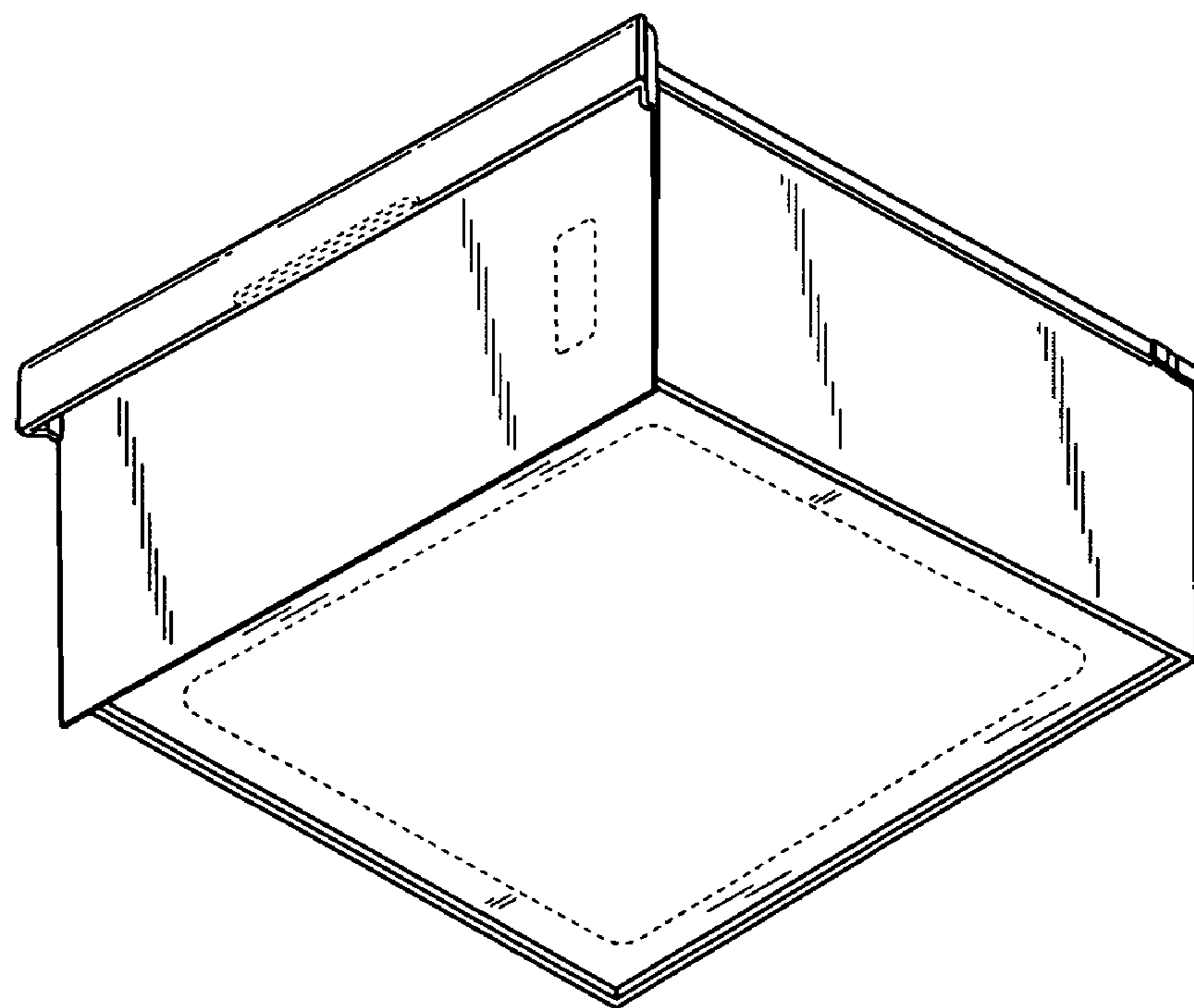


Fig. 2

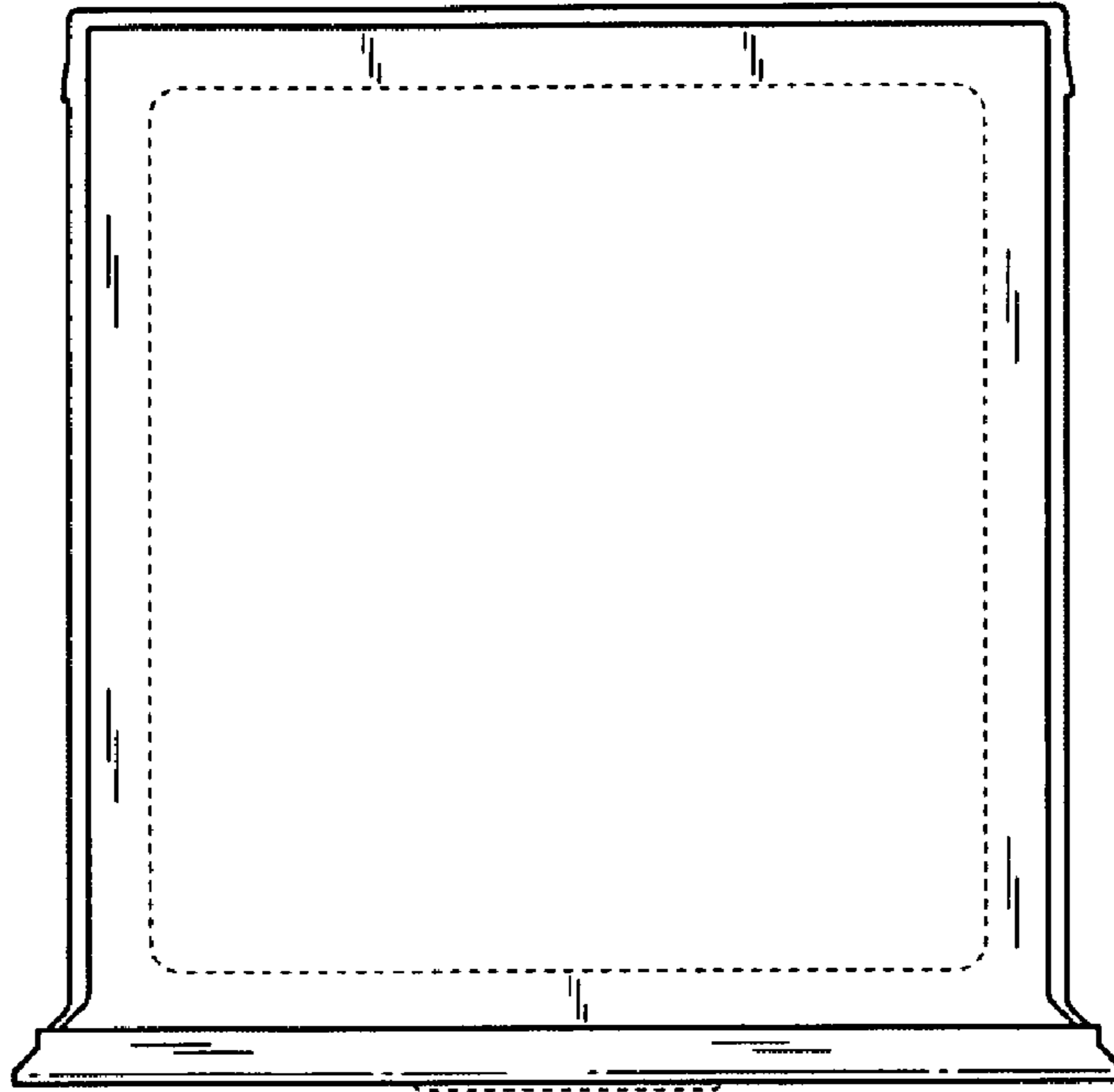


Fig. 3

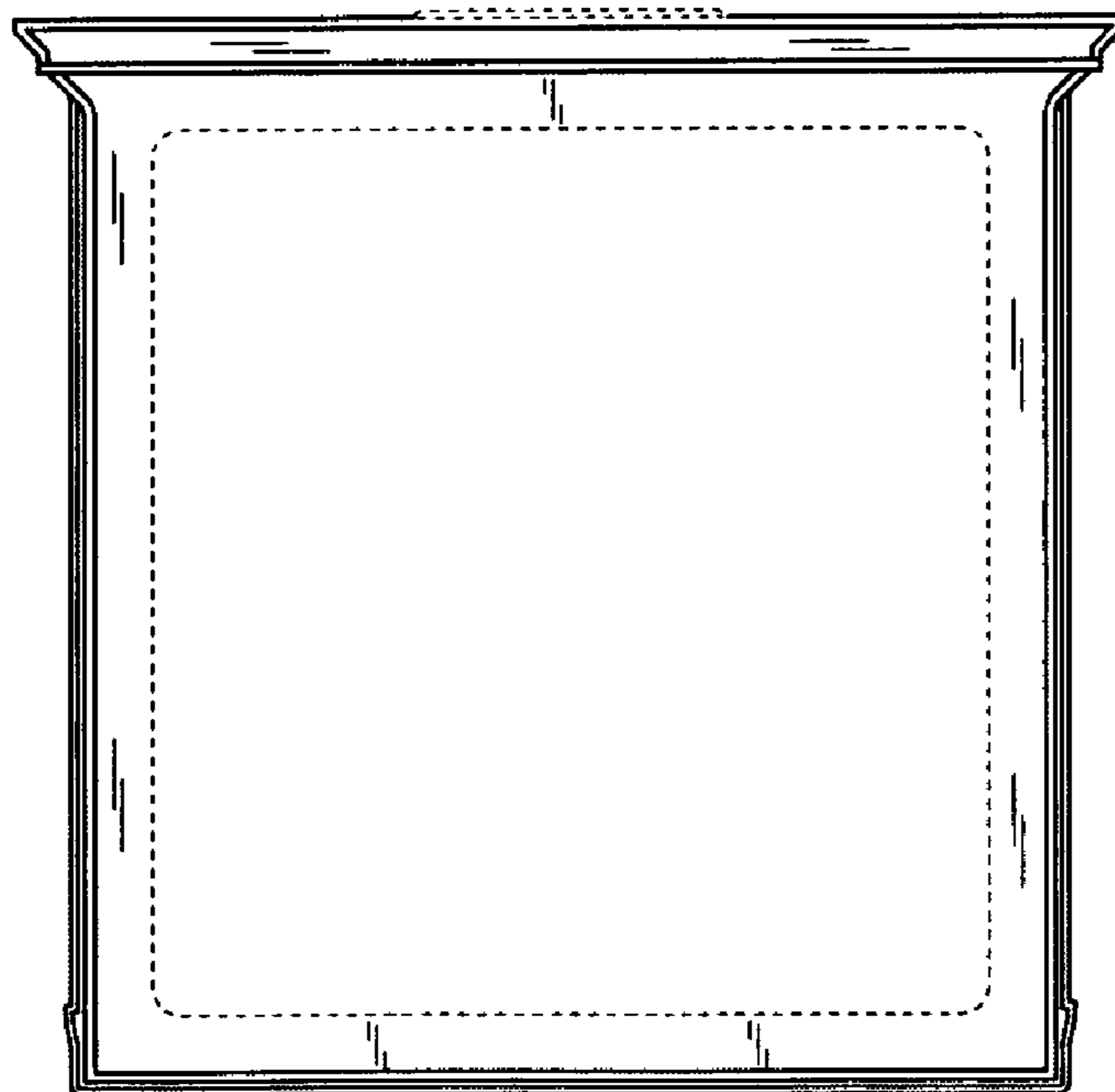


Fig. 4

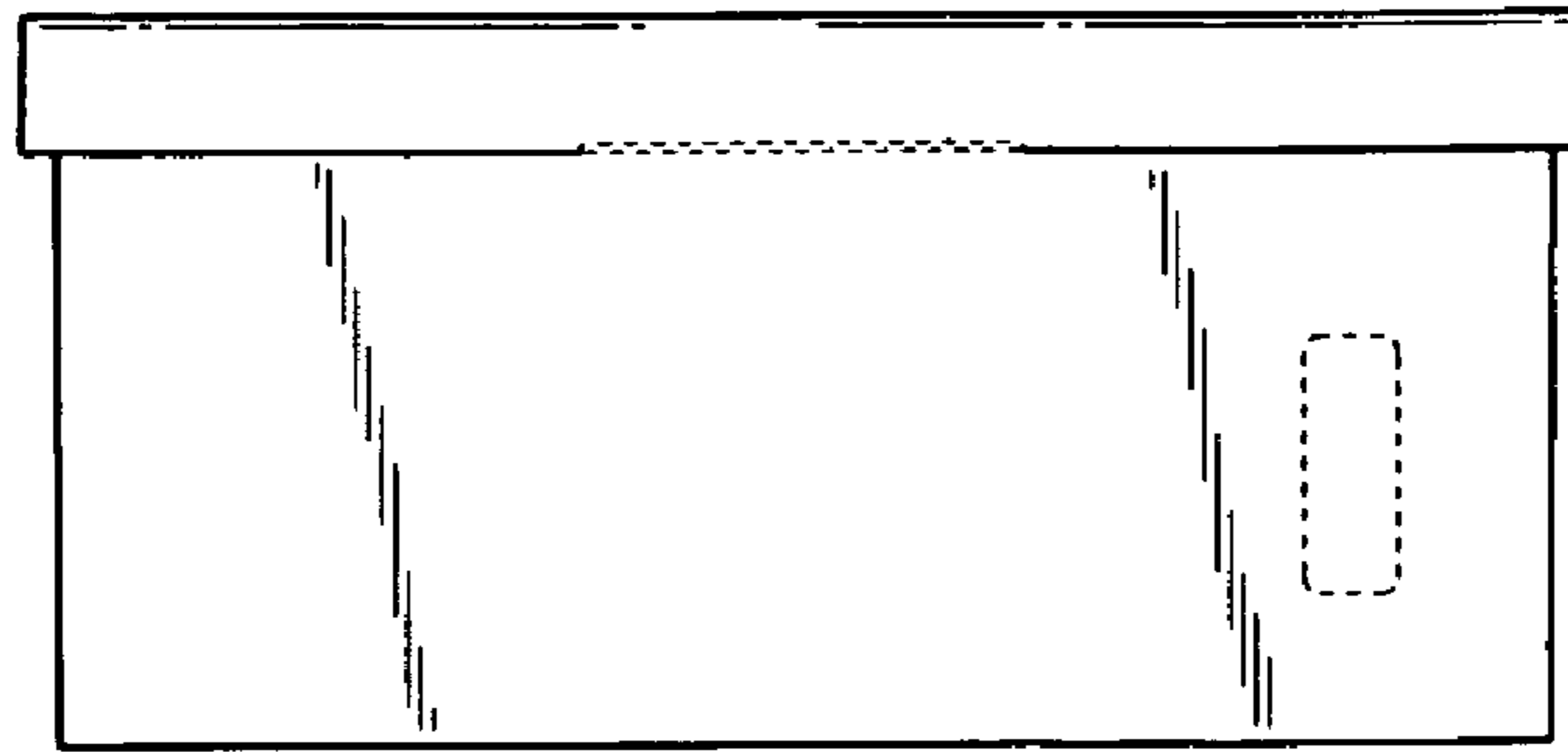


Fig. 5

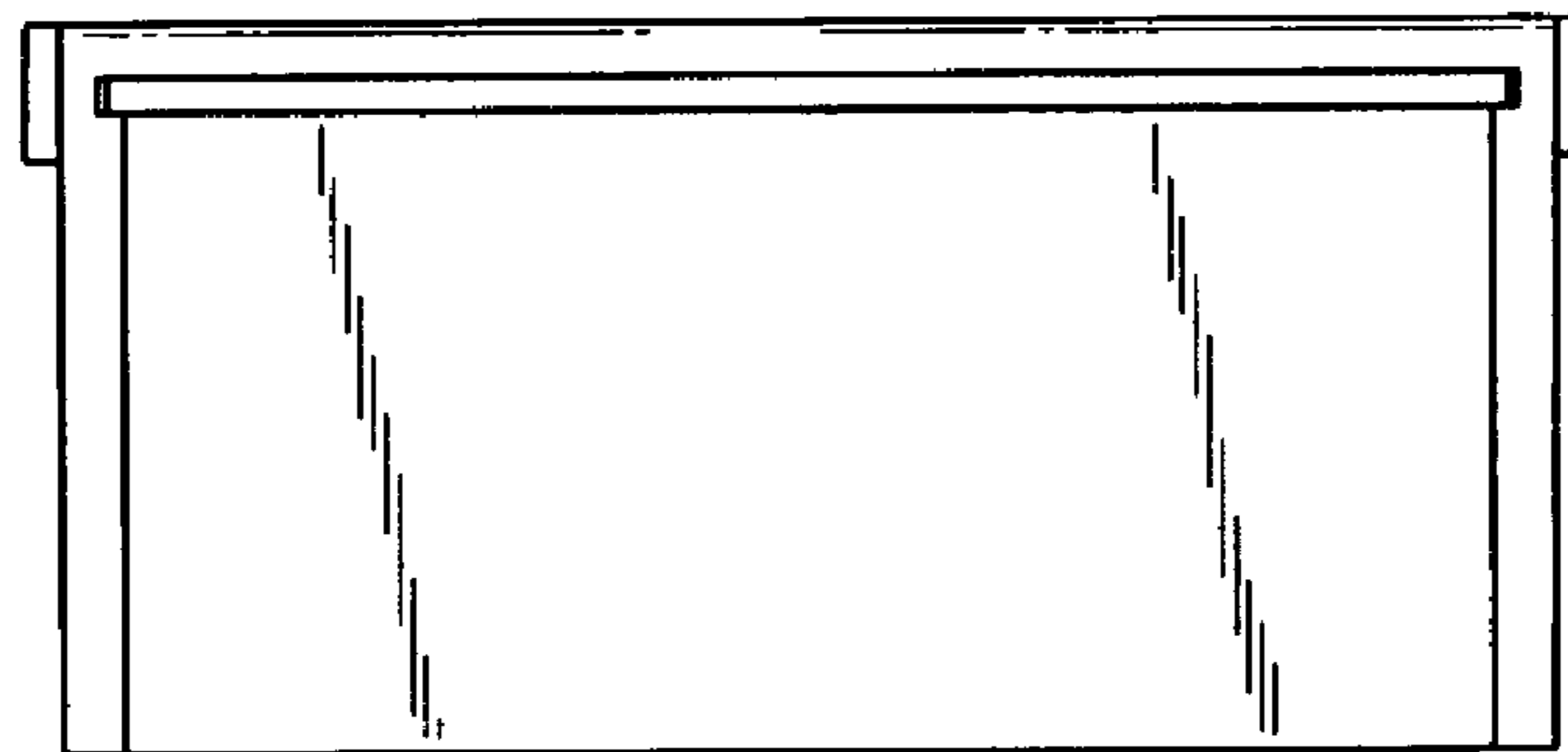


Fig. 6

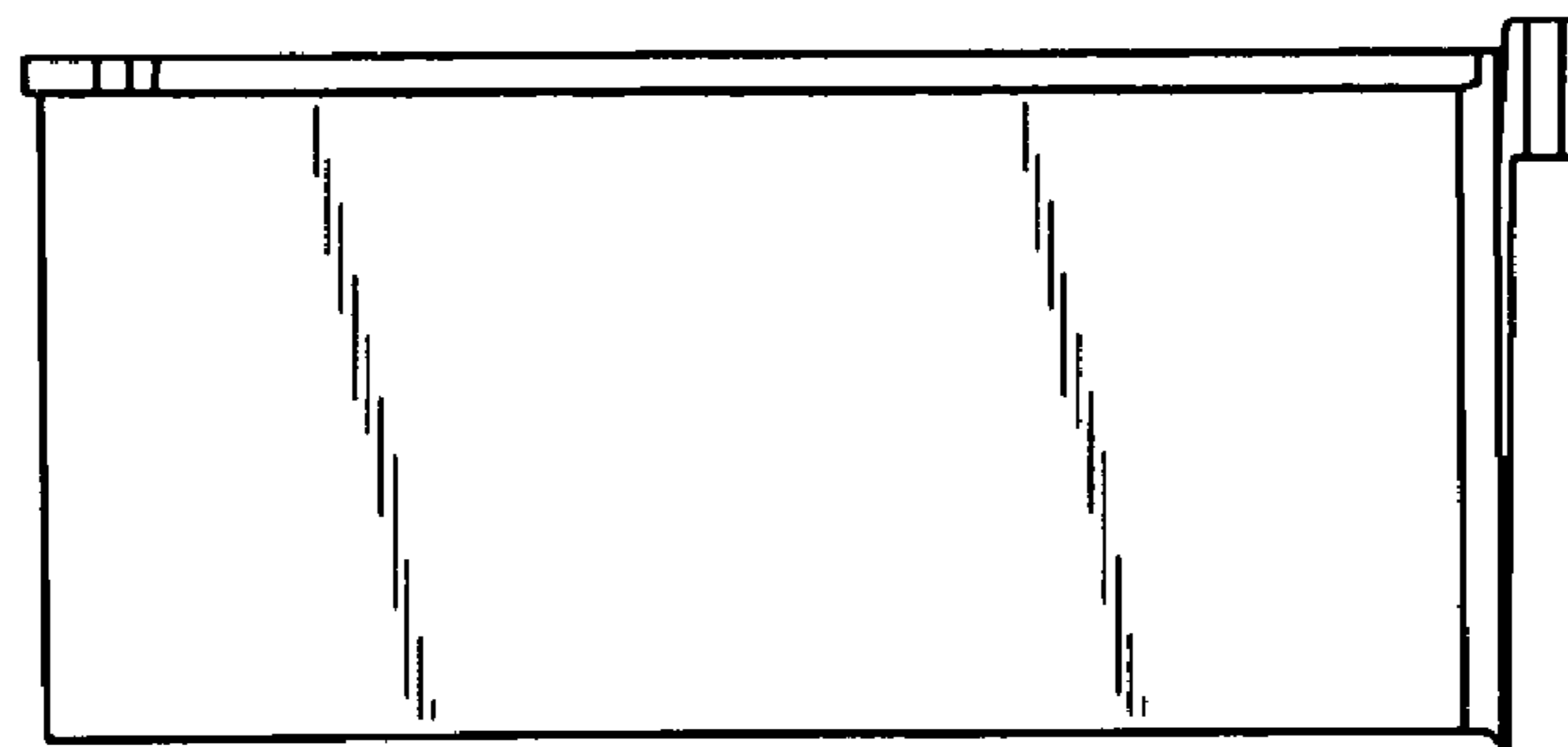


Fig. 7