



US00D619831S

(12) **United States Design Patent**
Branch

(10) **Patent No.:** **US D619,831 S**

(45) **Date of Patent:** **** *Jul. 20, 2010**

(54) **SUPPORT STRUCTURE FOR A TABLE**

(75) **Inventor:** **Paul Branch**, Layton, UT (US)

(73) **Assignee:** **Lifetime Products, Inc.**, Clearfield, UT (US)

(**) **Term:** **14 Years**

(21) **Appl. No.:** **29/318,812**

(22) **Filed:** **May 28, 2008**

(51) **LOC (9) Cl.** **06-06**

(52) **U.S. Cl.** **D6/499**

(58) **Field of Classification Search** D6/480-489,
D6/495-499, 439-431, 423, 477-479; 108/150,
108/153.1, 155, 156, 161, 115, 118, 131,
108/129, 132, 120, 130, 133; 248/188, 188.1,
248/188.8, 188.6

See application file for complete search history.

(56) **References Cited**

U.S. PATENT DOCUMENTS

D476,169 S * 6/2003 Buono D6/429
6,622,644 B2 * 9/2003 Buono 108/132
D480,580 S * 10/2003 Buono D6/429

D494,784 S 8/2004 Strong
D544,734 S * 6/2007 Quintal D6/499
D582,179 S * 12/2008 Lambert et al. D6/480

OTHER PUBLICATIONS

U.S. Appl. No. 12/471,378, filed May 23, 2009, Branch.

* cited by examiner

Primary Examiner—Janice E Seeger

(74) *Attorney, Agent, or Firm*—Workman Nydegger

(57) **CLAIM**

The ornamental design for a support structure for a table, as shown and described.

DESCRIPTION

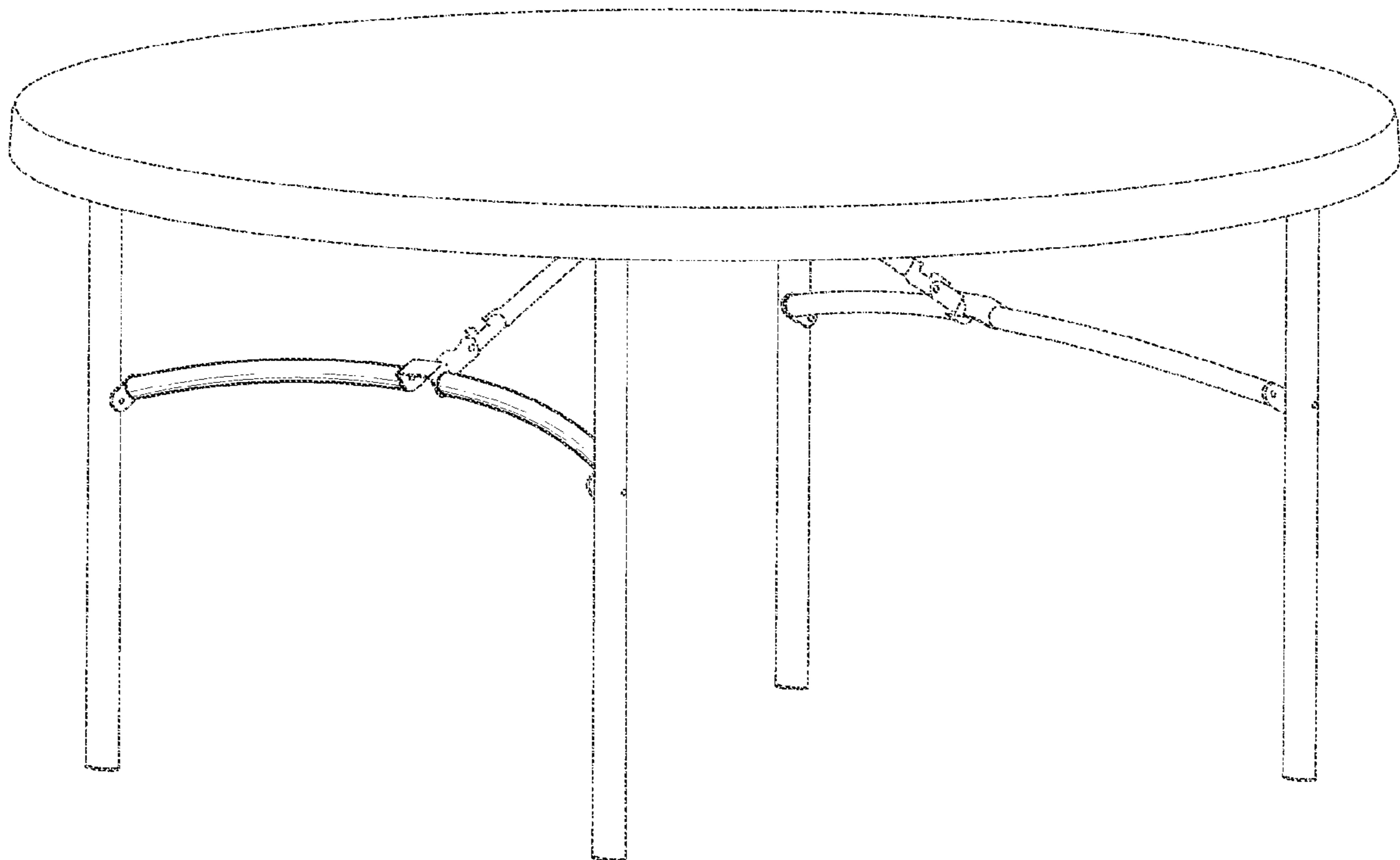
FIG. 1 is a perspective view of the support structure for a table;

FIG. 2 is a top plan view of the support structure for a table; and,

FIG. 3 is a right side view of the support structure for a table, with the left side view being a mirror image thereof.

The broken lines shown in the figures are for illustrative purposes only and form no part of the claimed design.

1 Claim, 1 Drawing Sheet



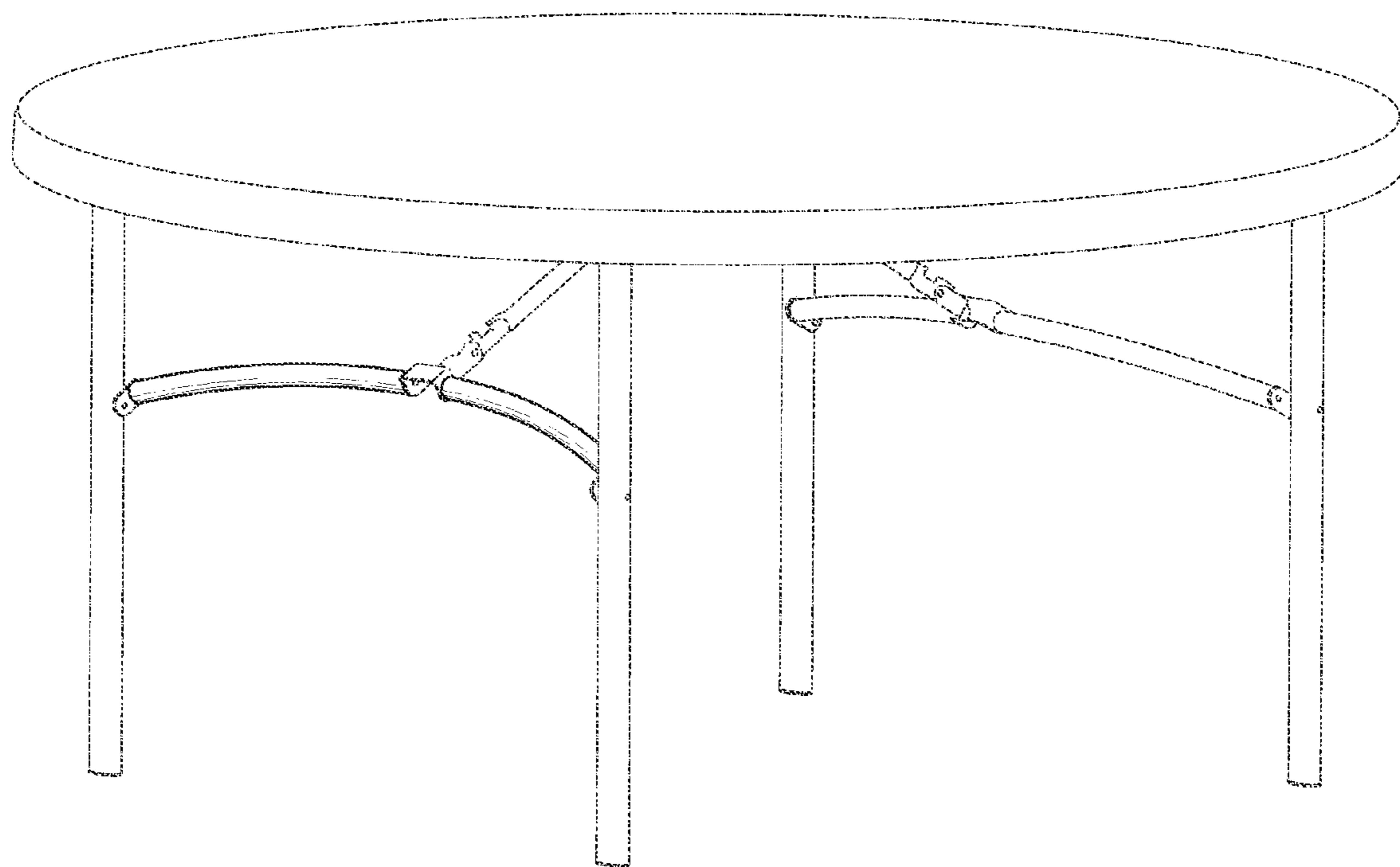


FIG. 1

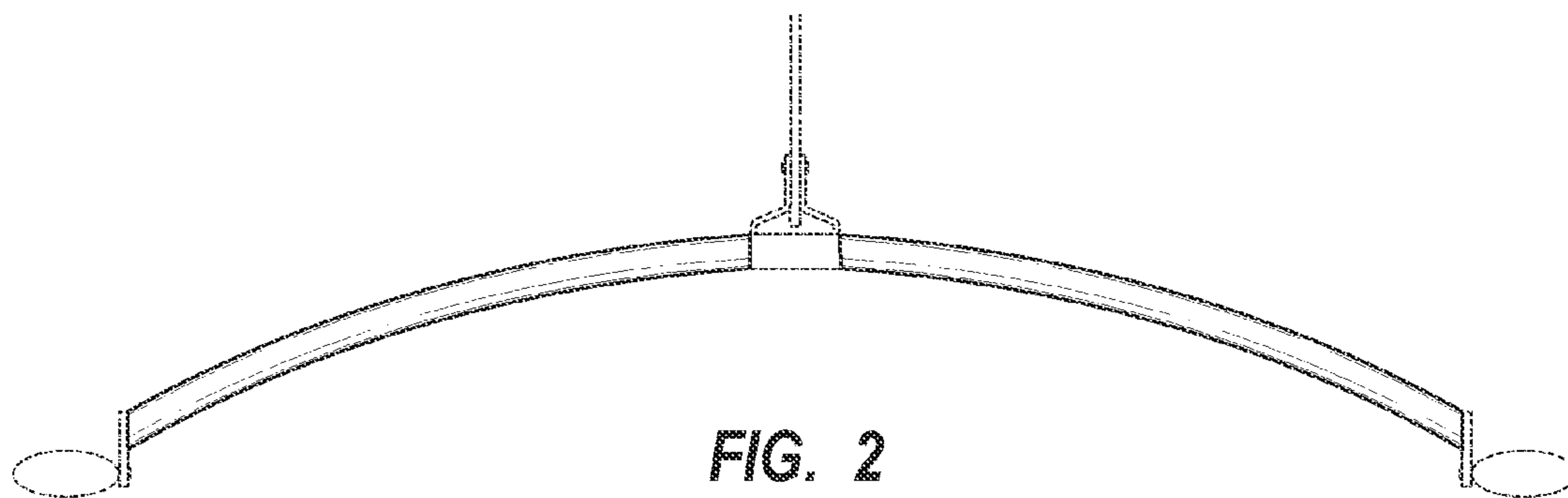


FIG. 2

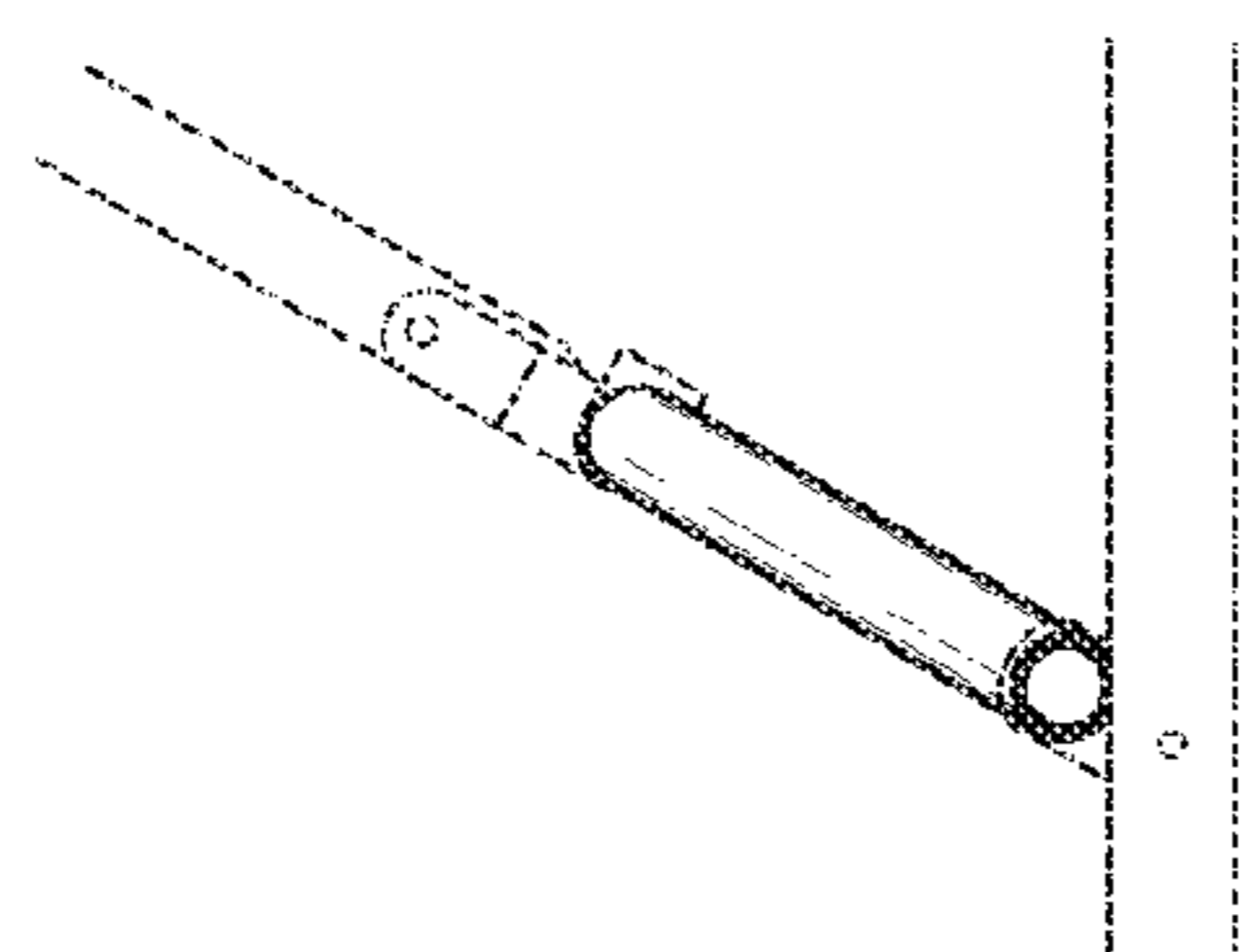


FIG. 3