



US00D619830S

(12) **United States Design Patent**
Lund et al.

(10) **Patent No.:** **US D619,830 S**
(45) **Date of Patent:** **** Jul. 20, 2010**

(54) **LIFTING COLUMN**

(75) Inventors: **Peter B. Lund**, Aarhus C (DK); **John Landerholm**, Aarhus C (DK)

(73) Assignee: **Linak A/S**, Nordborg (DK)

(**) Term: **14 Years**

(21) Appl. No.: **29/300,741**

(22) Filed: **Apr. 30, 2008**

(30) **Foreign Application Priority Data**

Nov. 2, 2007 (DK) DA 2007 00257

(51) **LOC (9) Cl.** **06-06**

(52) **U.S. Cl.** **D6/496**

(58) **Field of Classification Search** D6/495-499,
D6/335, 480-489, 423, 429; D24/183; 378/209;
312/209; 297/325, 327, 344.19, 344.2; 248/188,
248/188.1, 188.2, 188.3, 188.8; 108/144.1,
108/145-147; 254/11, 12, 90-92, DIG. 9;
280/763.1, 764.1, 765.1, 766.1; 52/737 A,
52/834; D34/31

See application file for complete search history.

(56) **References Cited**

U.S. PATENT DOCUMENTS

D132,210	S *	4/1942	Dreyfuss	D6/496
D179,938	S *	3/1957	Fisher	D6/496
2,852,883	A *	9/1958	Walsh	248/188.9
4,903,930	A *	2/1990	Jann	248/406.2
5,339,750	A *	8/1994	Smies	108/147
5,528,782	A *	6/1996	Pfeuffer et al.	5/611
D399,079	S *	10/1998	Hysten	D6/496
D427,461	S *	7/2000	Burns et al.	D6/495
D507,905	S *	8/2005	Walters et al.	D6/496
7,308,933	B1 *	12/2007	Mayfield et al.	166/85.1
D562,631	S *	2/2008	Finkelstein	D7/403

* cited by examiner

Primary Examiner—Caron Veynar
Assistant Examiner—Abraham Bahta

(74) *Attorney, Agent, or Firm*—Dykema Gossett PLLC

(57) **CLAIM**

The ornamental design for a lifting column, as shown and described.

DESCRIPTION

FIG. 1 is a perspective top view of a lifting column showing our ornamental design, when in a retracted state,

FIG. 2 is a perspective bottom view thereof,

FIG. 3 is another perspective top view thereof,

FIG. 4 is another perspective bottom view thereof,

FIG. 5 is an elevational left side view thereof,

FIG. 6 is an elevational front view thereof,

FIG. 7 is an elevational right side view thereof,

FIG. 8 is an elevational rear view thereof,

FIG. 9 is a bottom plan view thereof,

FIG. 10 is a top plan view thereof,

FIG. 11 is a perspective top view thereof when in an extended state,

FIG. 12 is a perspective bottom view thereof when in an extended state,

FIG. 13 is another perspective top view thereof when in an extended state,

FIG. 14 is another perspective bottom view thereof when in an extended state,

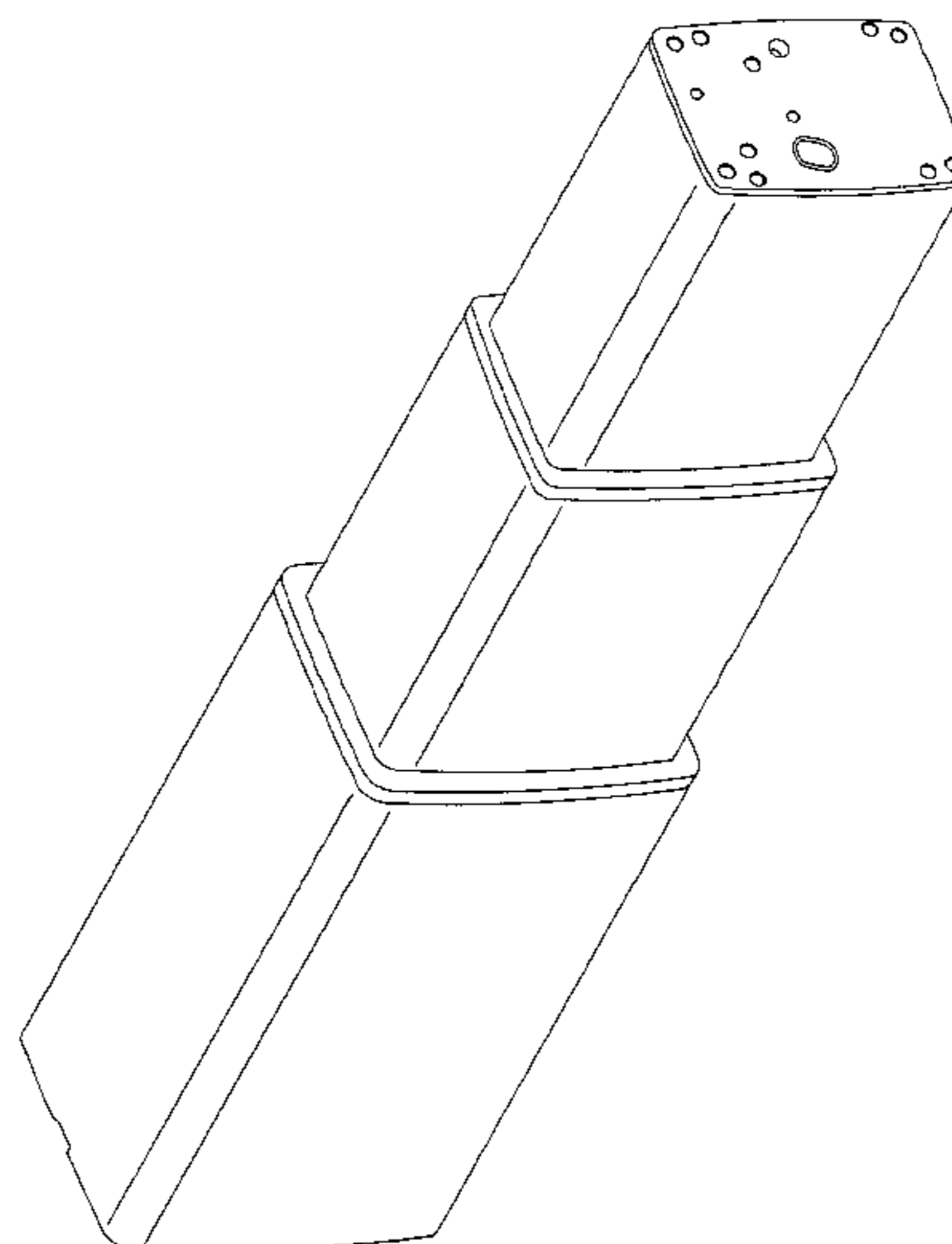
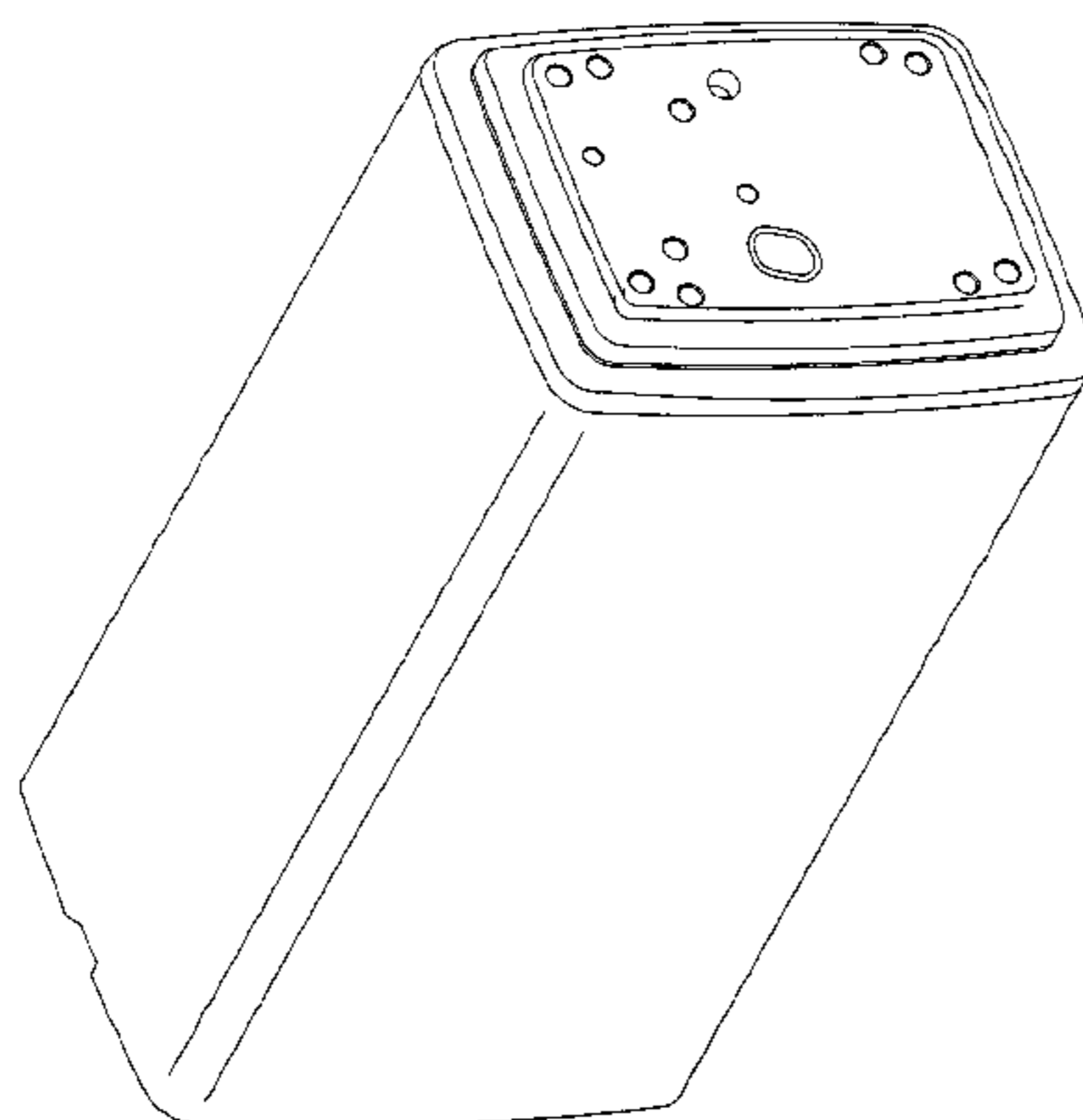
FIG. 15 is an elevational left side view thereof when in an extended state,

FIG. 16 is an elevational front view thereof when in an extended state,

FIG. 17 is an elevational right side view thereof when in an extended state; and,

FIG. 18 is an elevational rear view thereof when in an extended state.

1 Claim, 12 Drawing Sheets



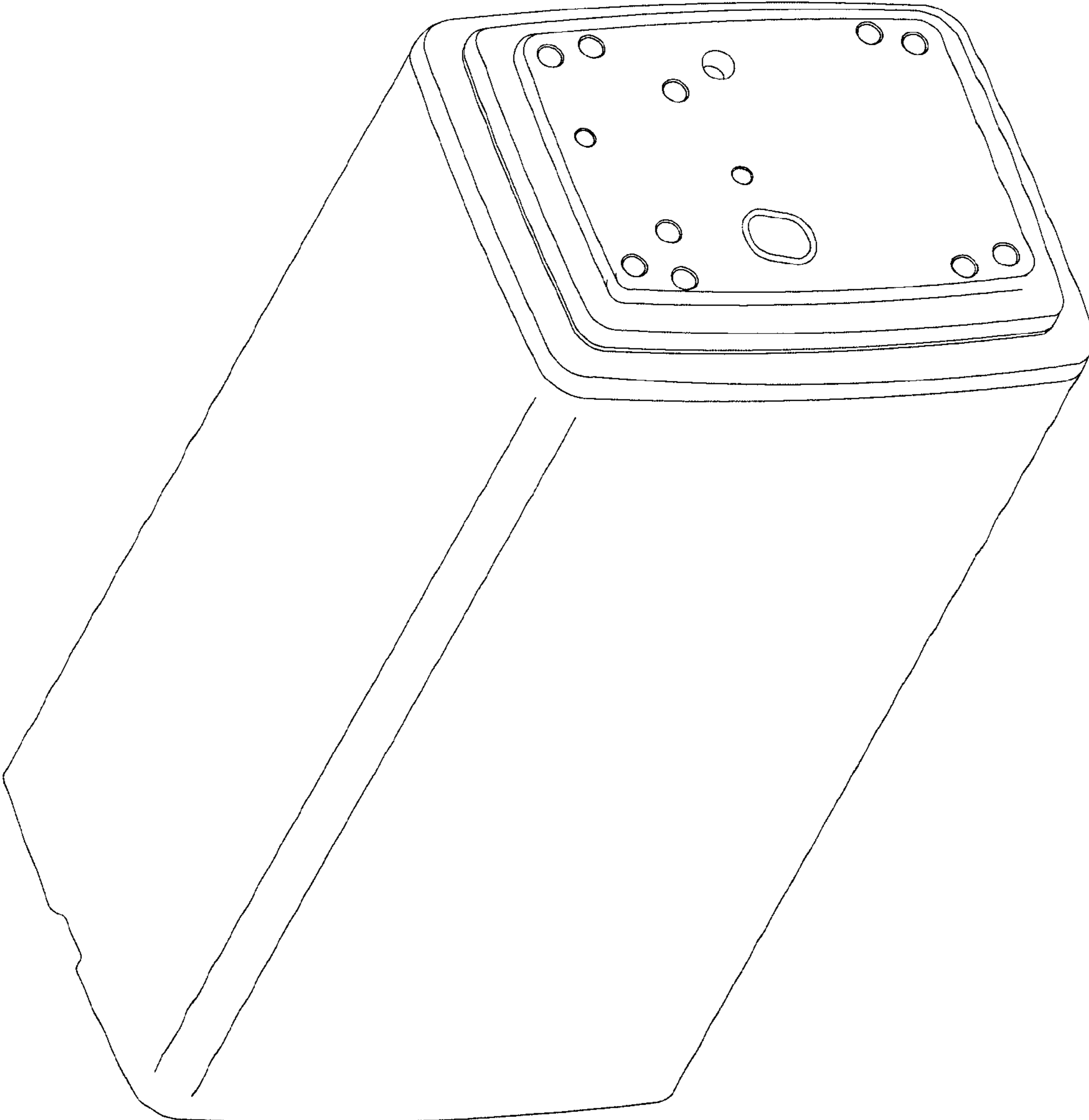


FIG. 1

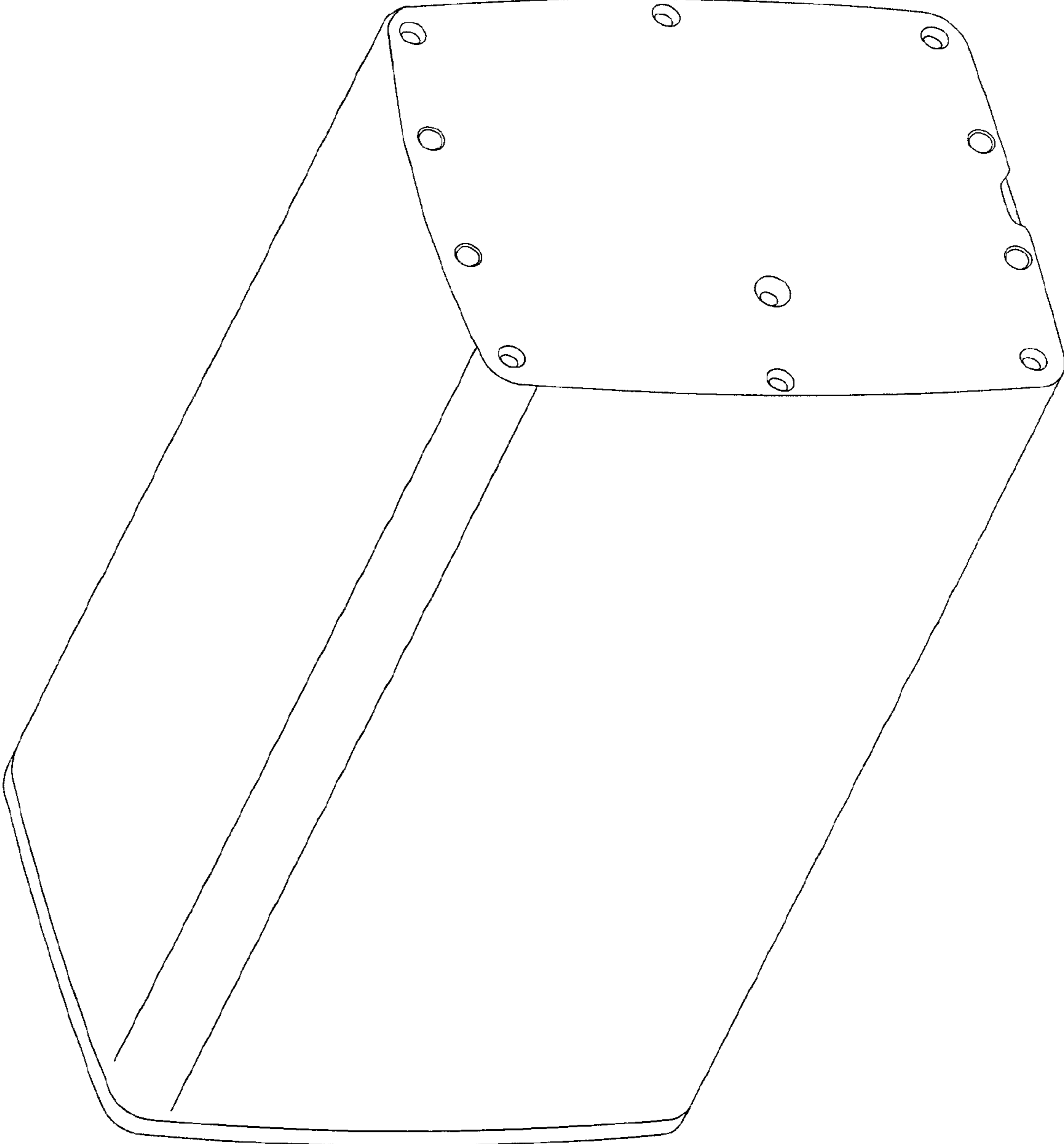


FIG. 2

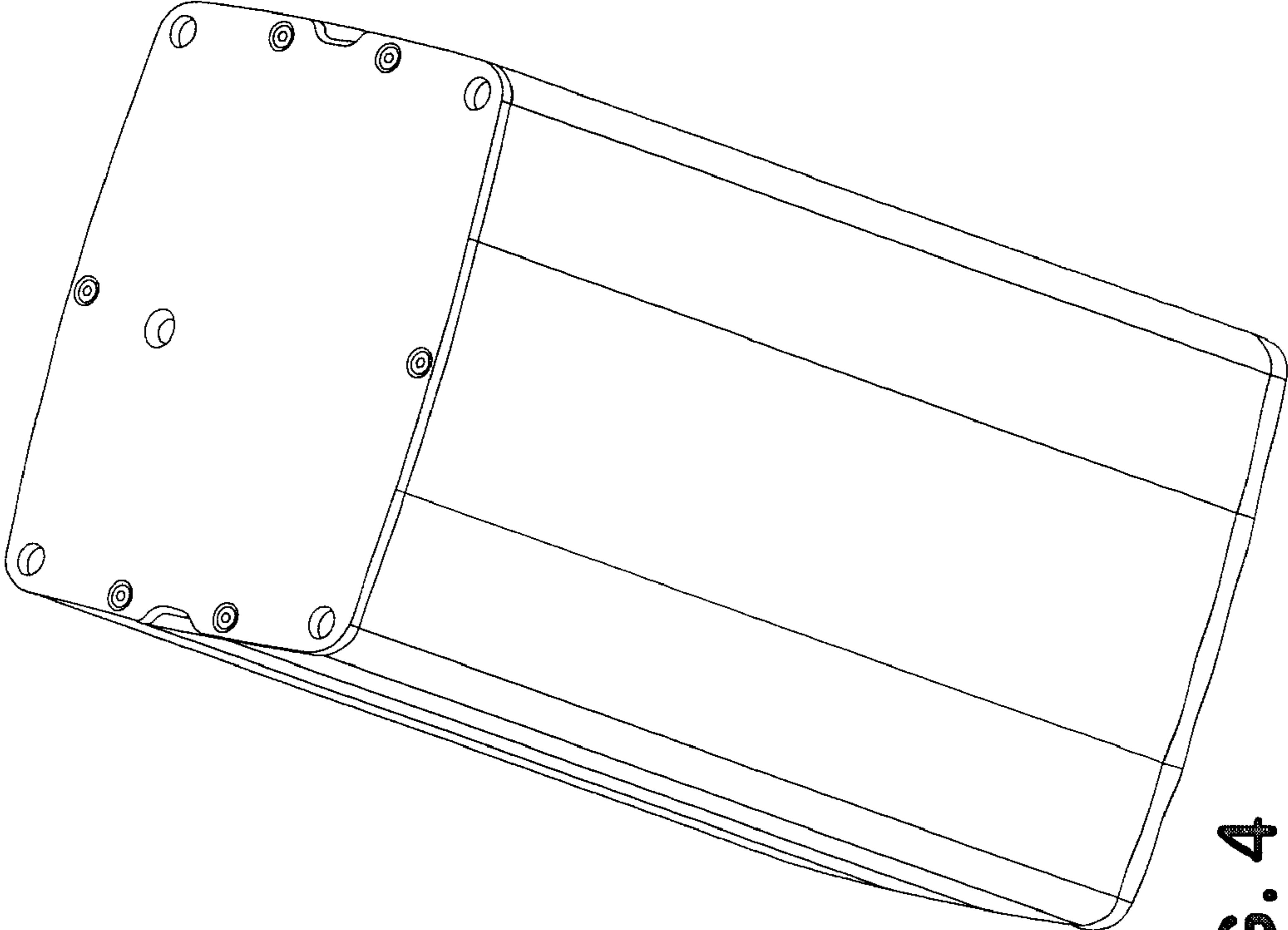


FIG. 4

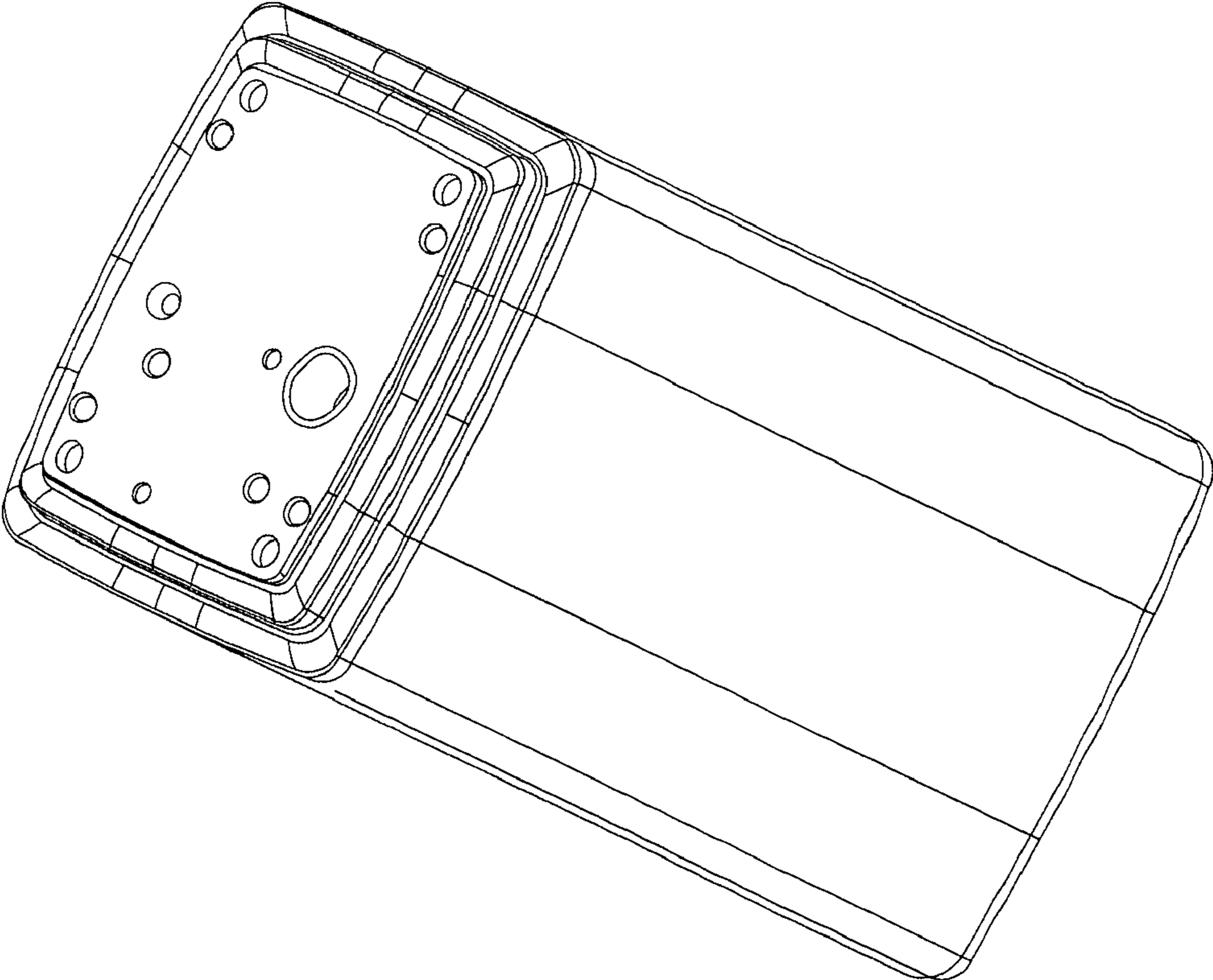


FIG. 3

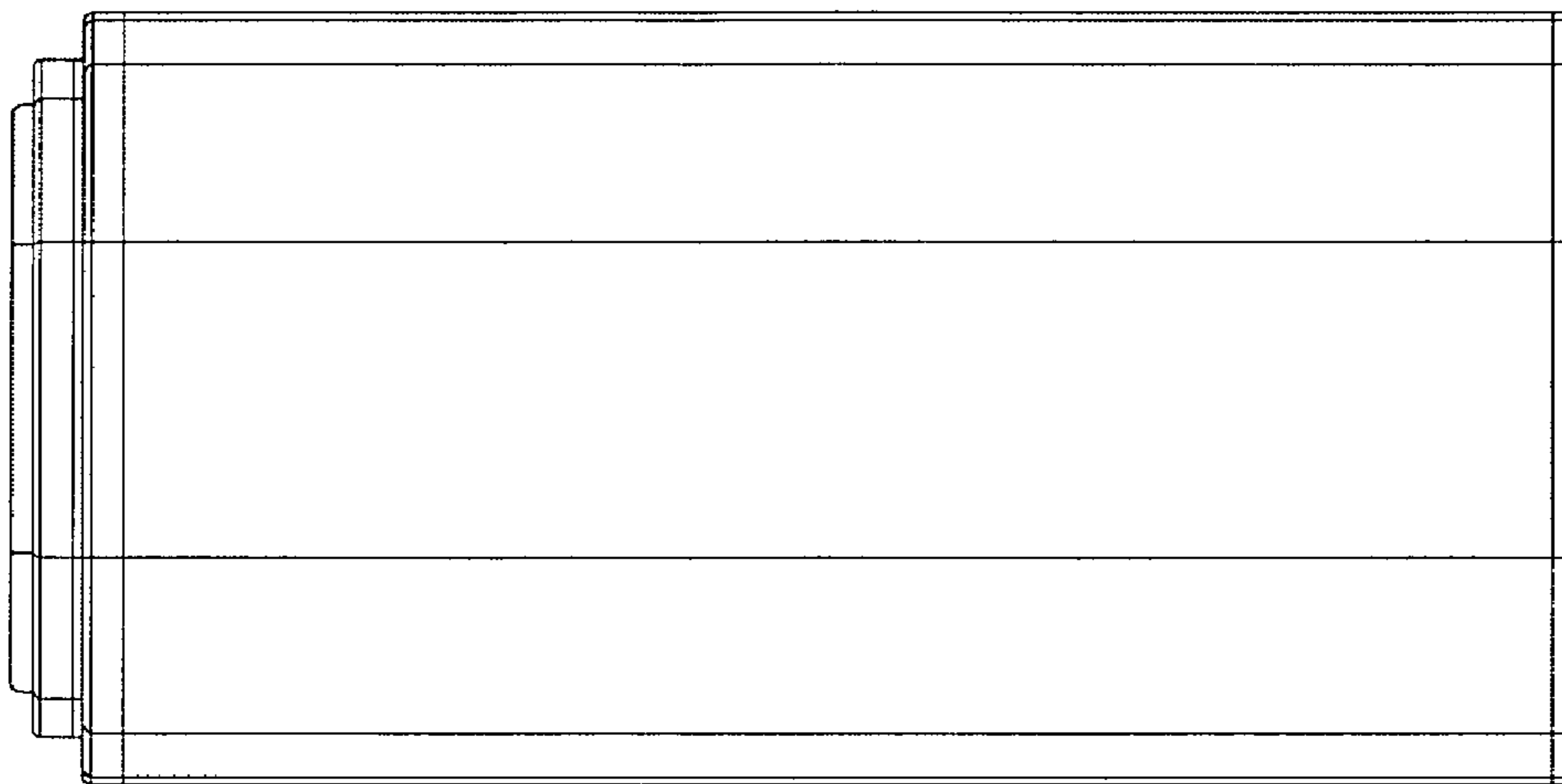


FIG. 5

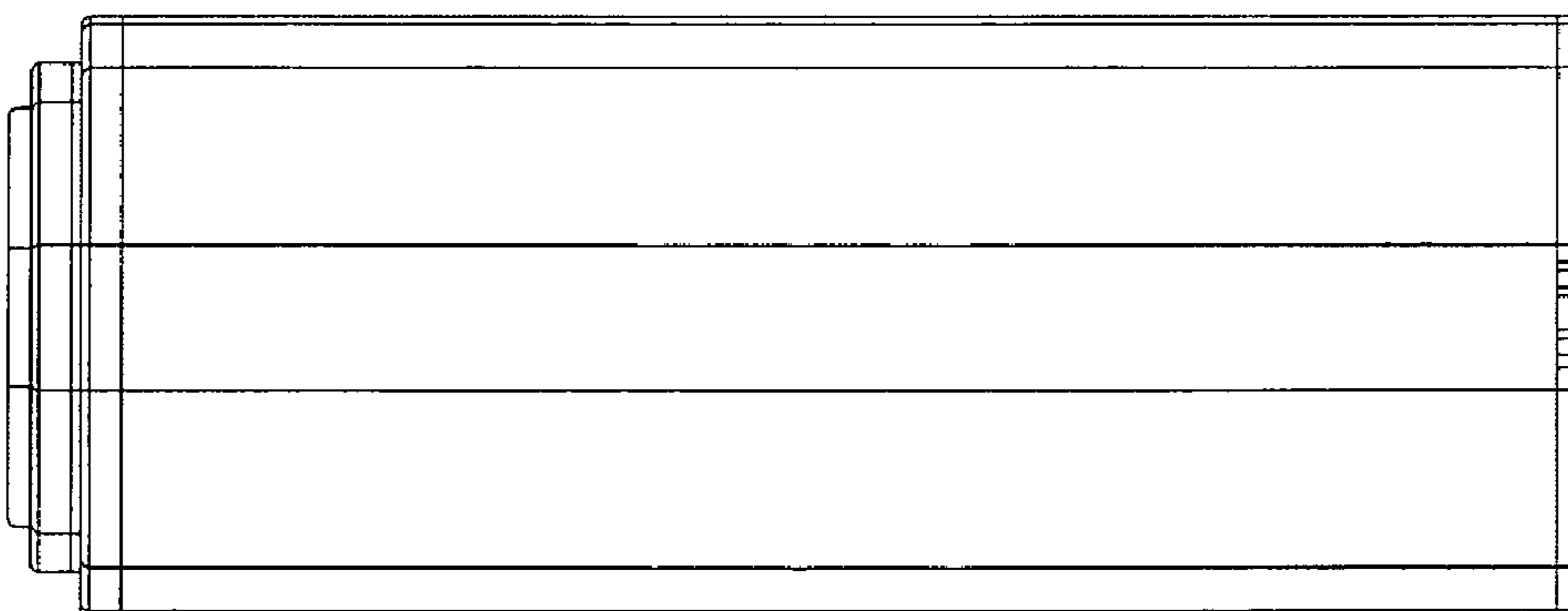


FIG. 6

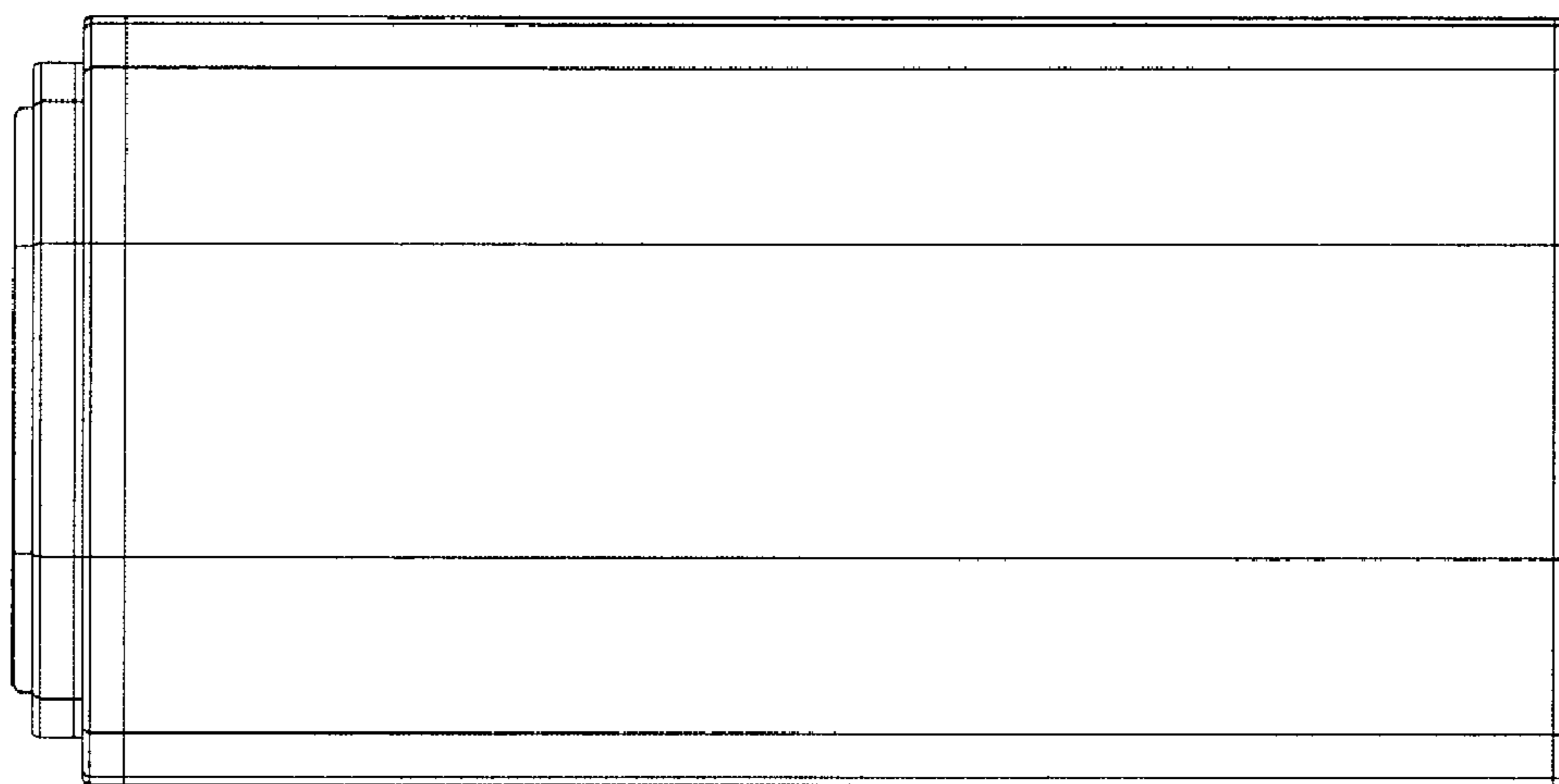


FIG. 7

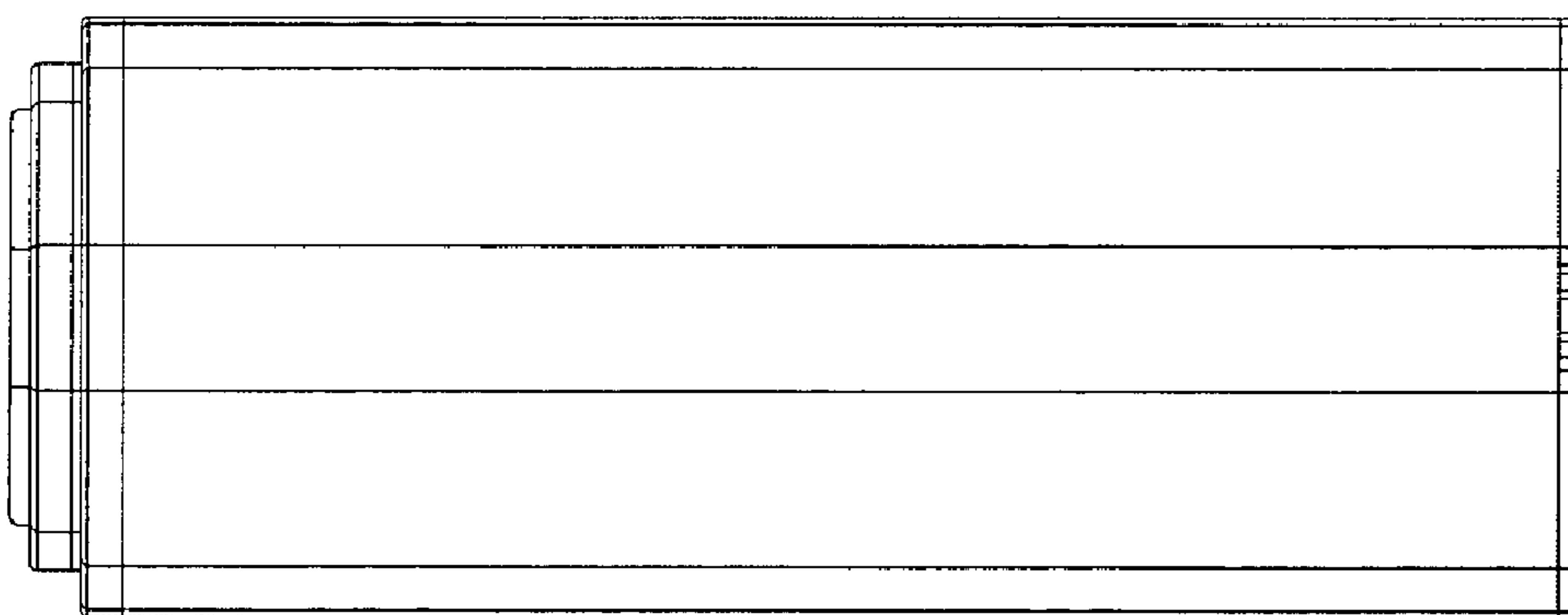


FIG. 8

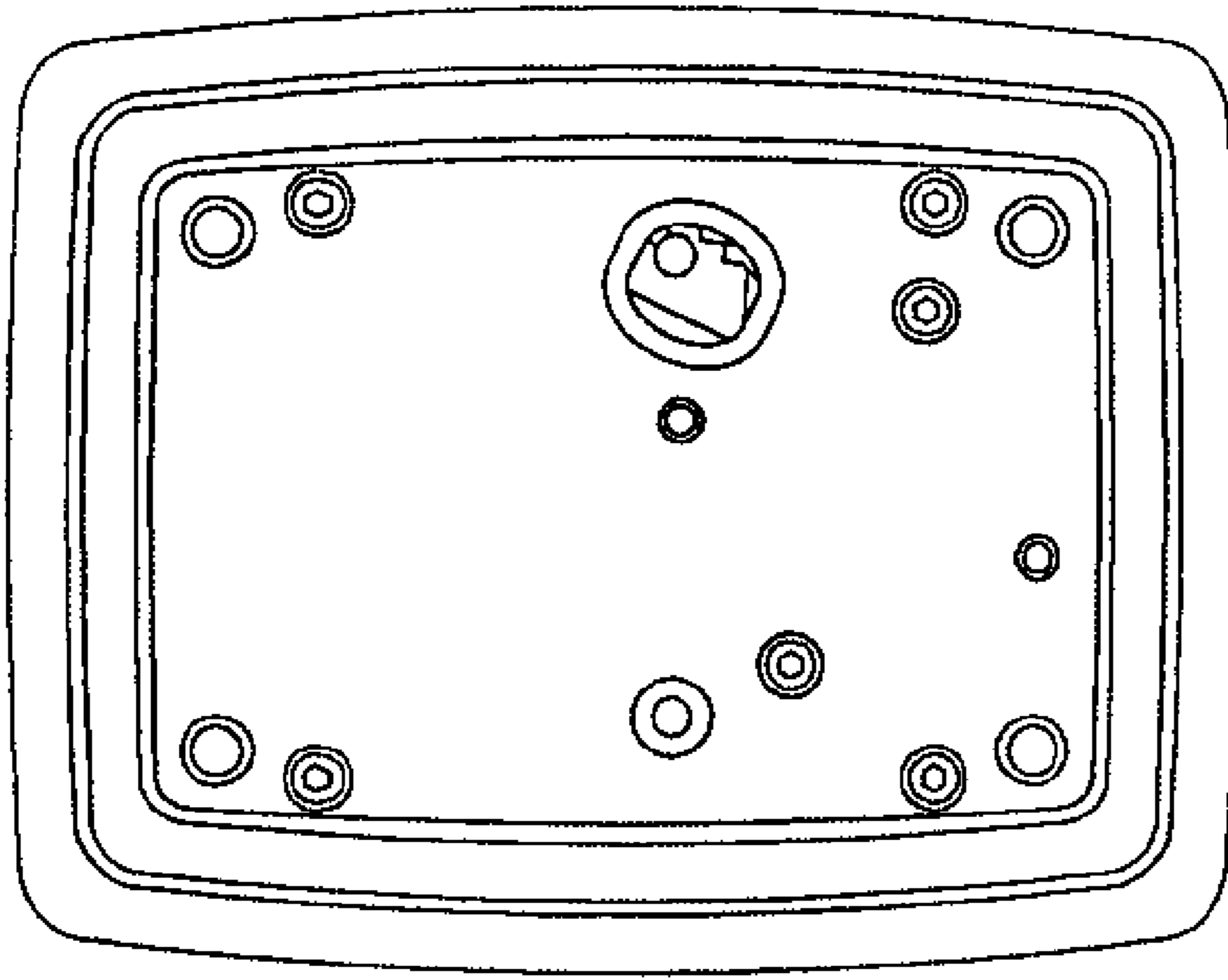


FIG. 9

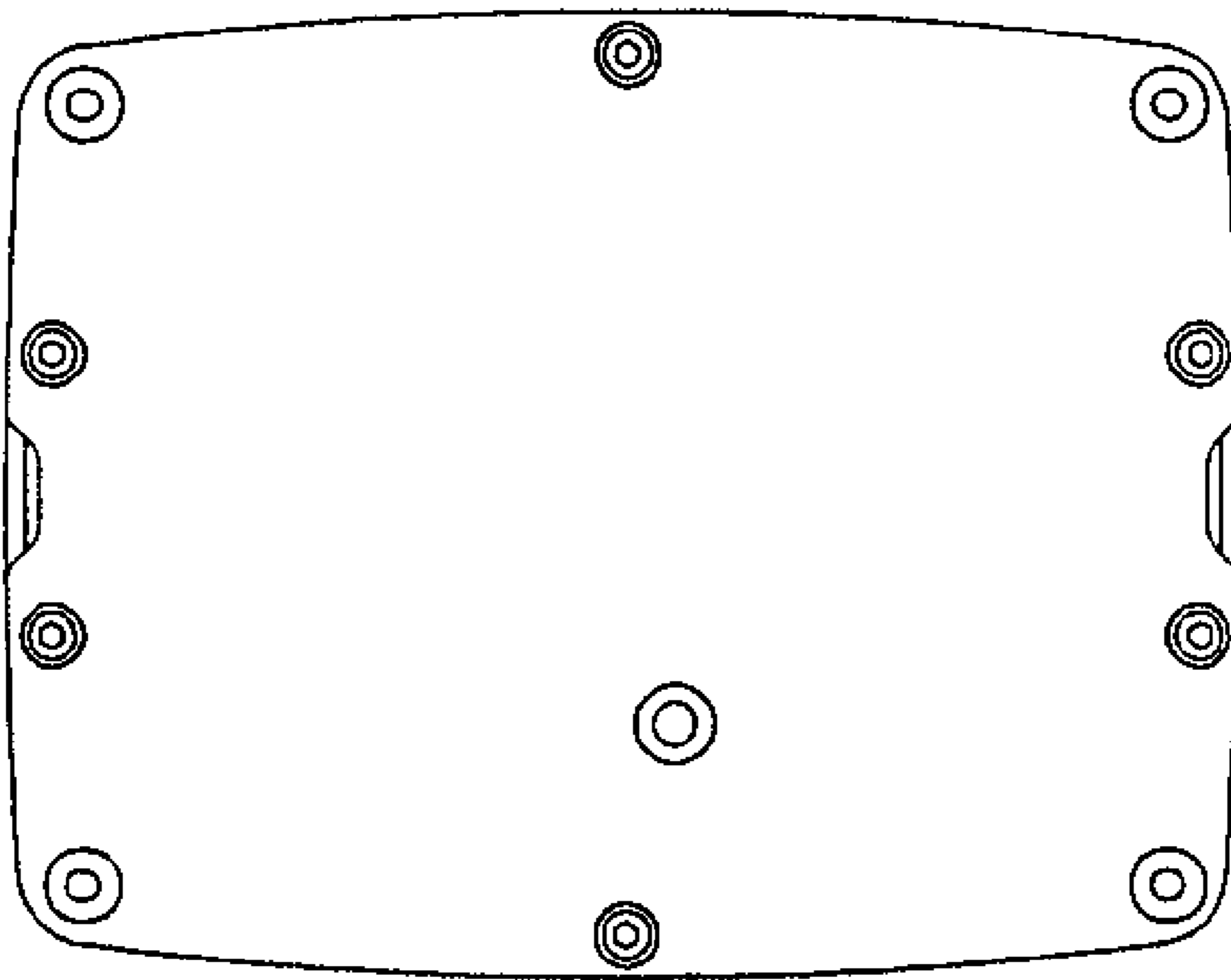


FIG. 10

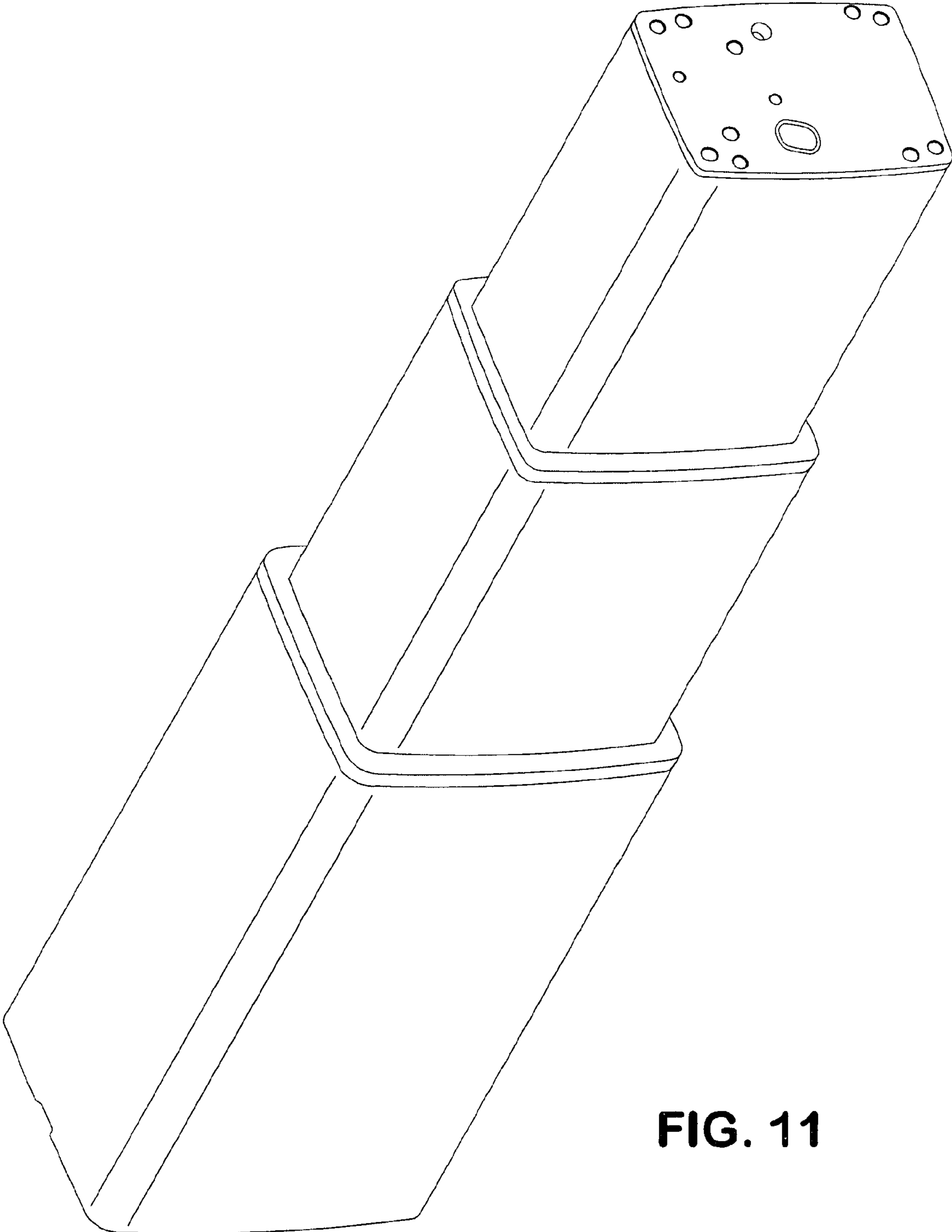


FIG. 11

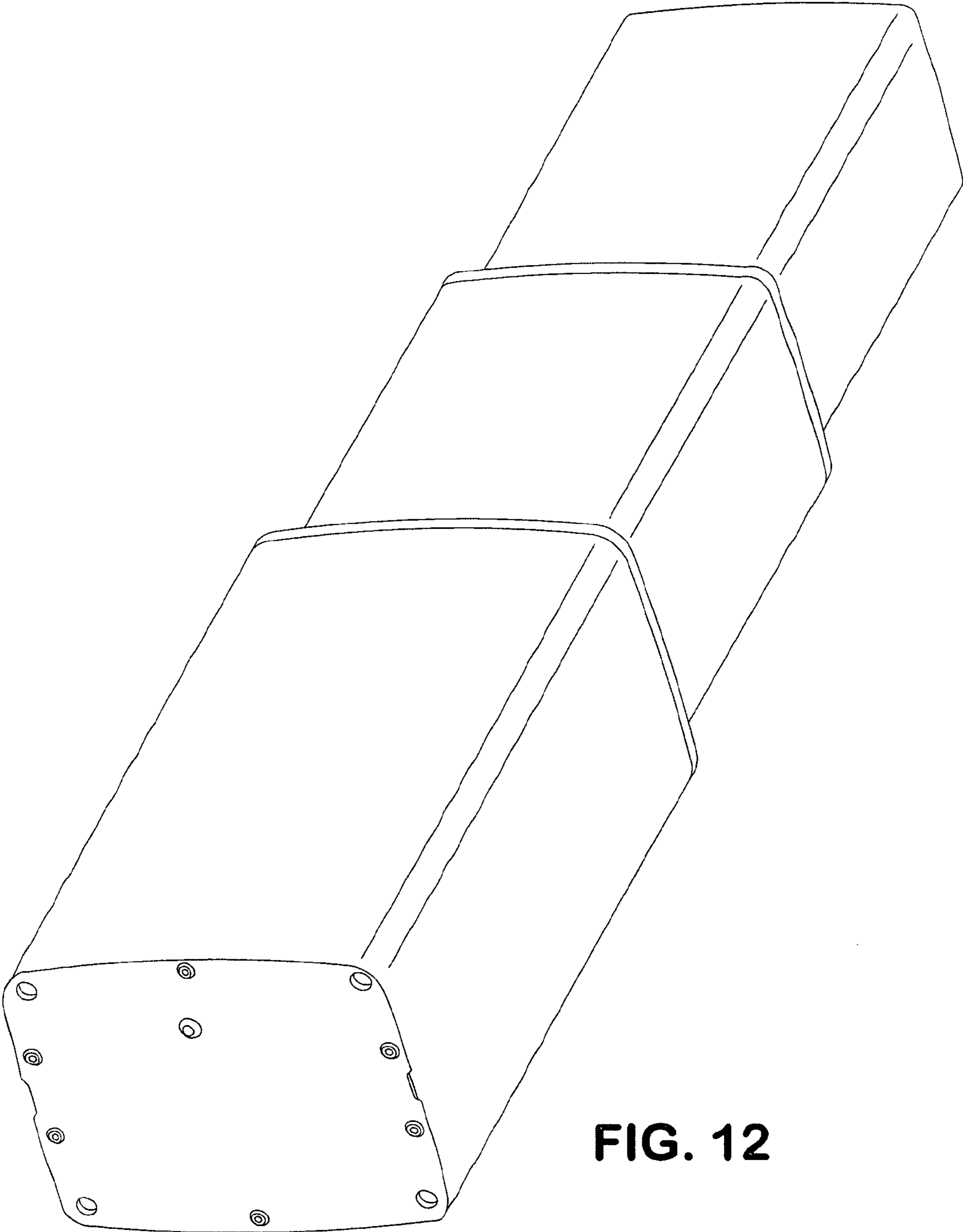


FIG. 12

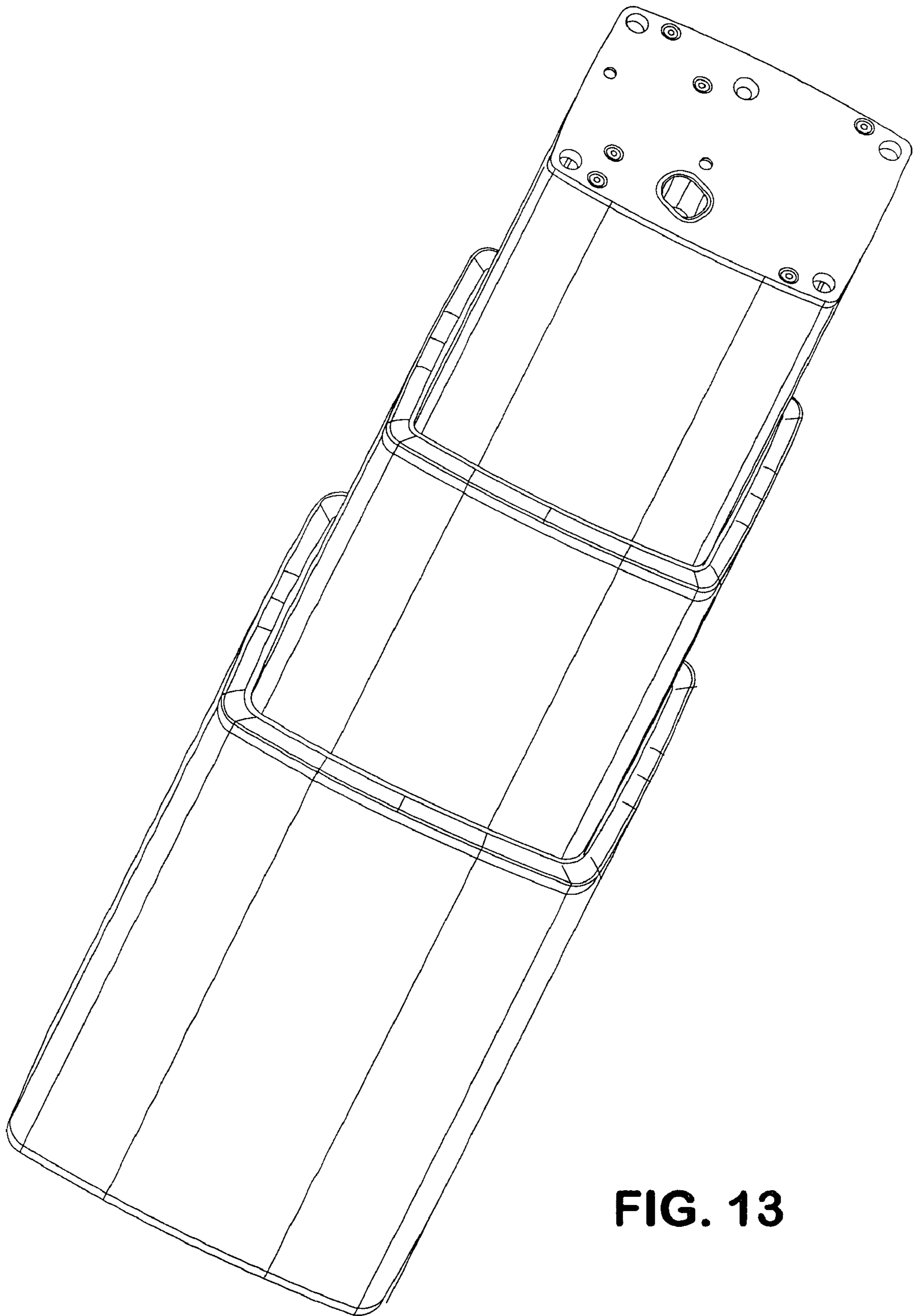


FIG. 13

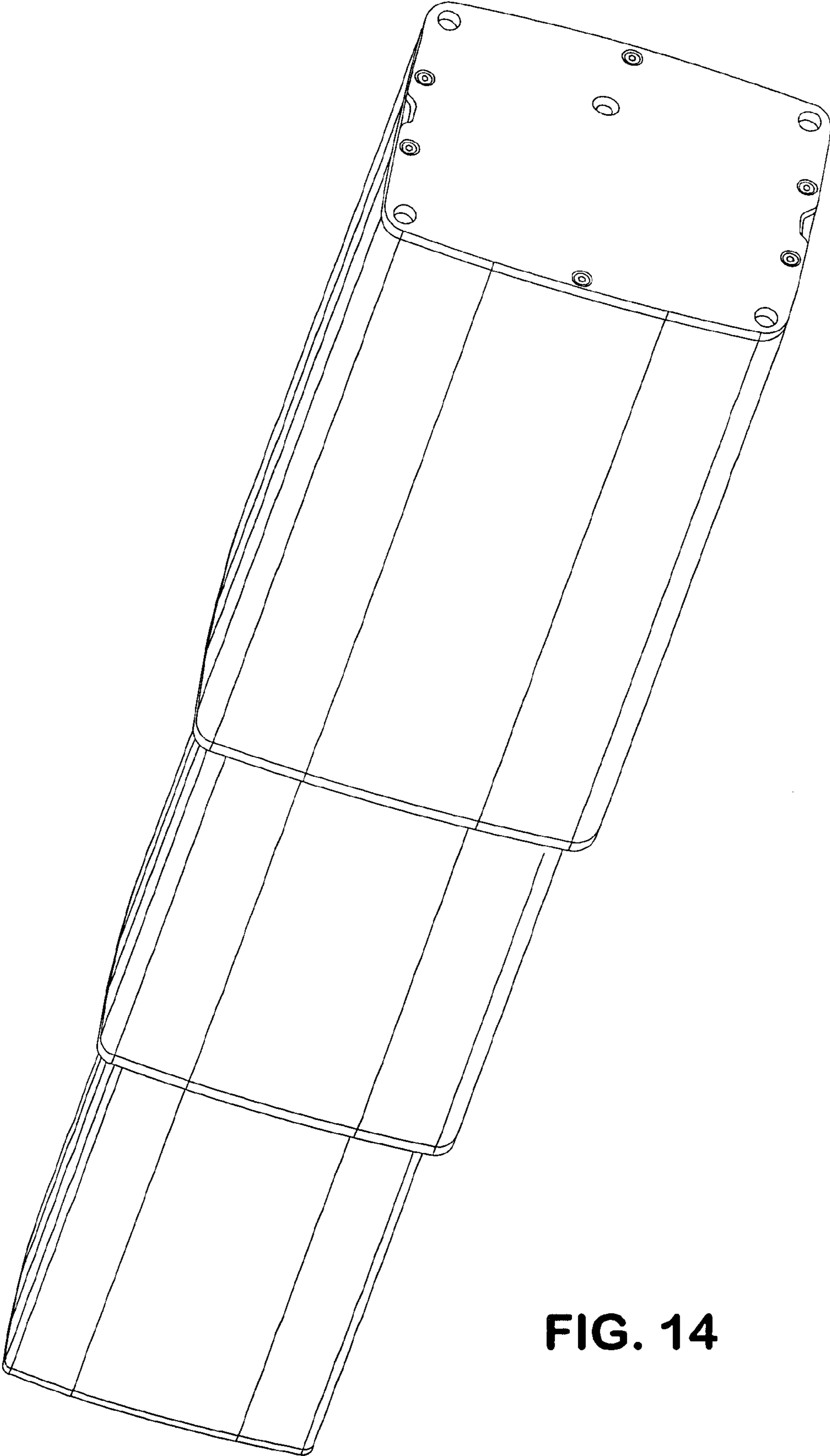


FIG. 14

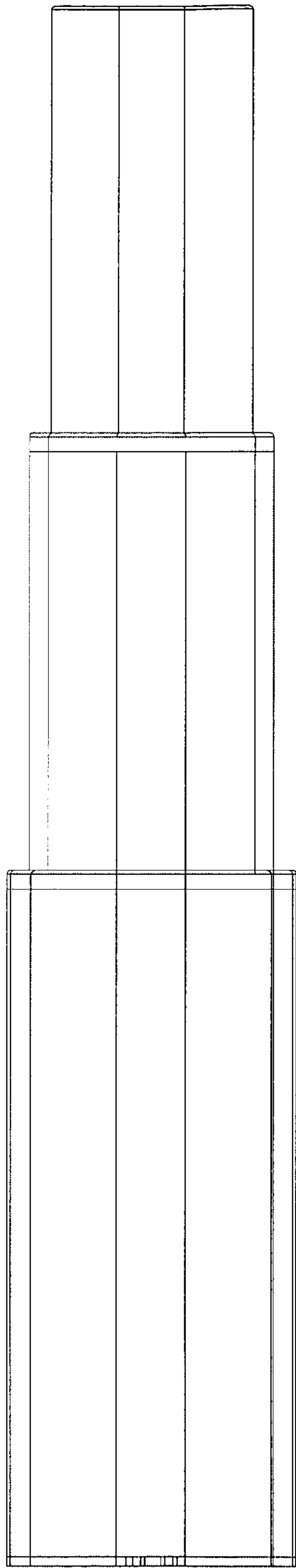


FIG. 15

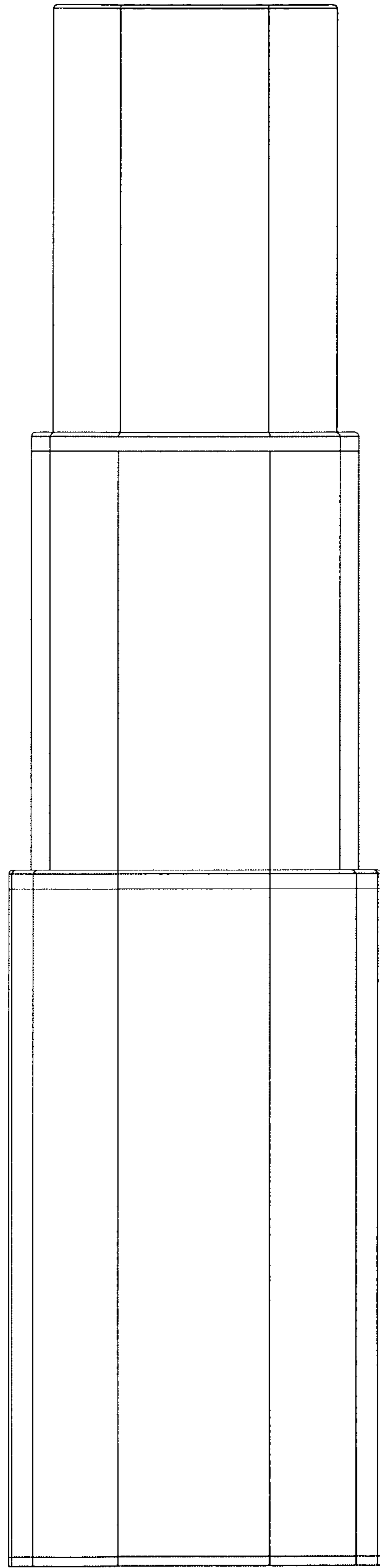


FIG. 16

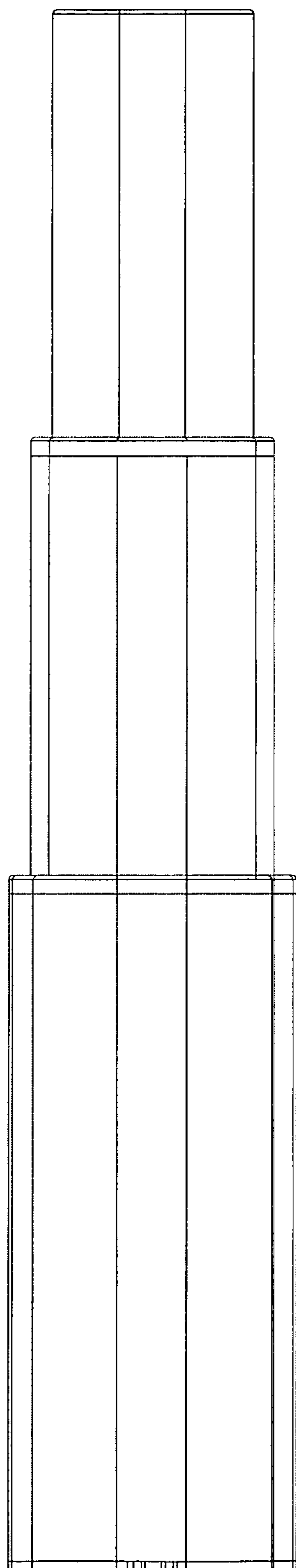


FIG. 17

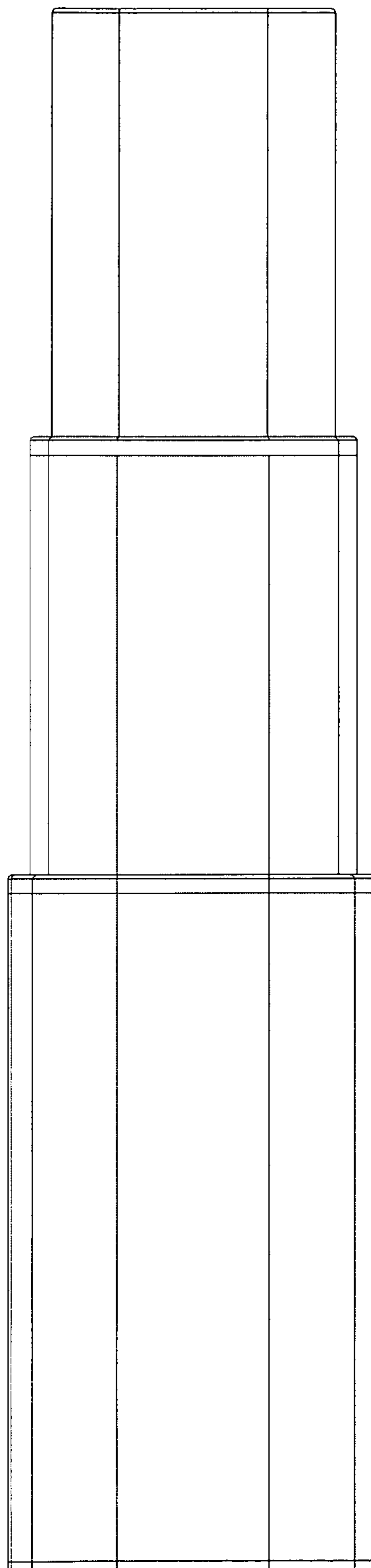


FIG. 18