



US00D619828S

(12) **United States Design Patent**
Connor et al.

(10) **Patent No.:** **US D619,828 S**
(45) **Date of Patent:** **** Jul. 20, 2010**

(54) **AUDIO VIDEO SHELVING UNIT**
(75) Inventors: **Steve Connor**, Dongguan (CN);
Michael P. Zambelli, Basking Ridge, NJ
(US)
(73) Assignee: **Bell'O International Corp.**,
Morganville, NJ (US)

D508,172 S 8/2005 Malizia et al.
D515,337 S 2/2006 deCarolis
D515,849 S 2/2006 Niu
D516,838 S 3/2006 Portnoy
D516,840 S 3/2006 deCarolis
D516,841 S * 3/2006 Stenhouse et al. D6/479

(**) Term: **14 Years**
(21) Appl. No.: **29/353,360**

(Continued)

OTHER PUBLICATIONS

Bell'O 2005-2006 Product Catalog.

(22) Filed: **Jan. 7, 2010**
(51) **LOC (9) Cl.** **06-04**
(52) **U.S. Cl.** **D6/477**
(58) **Field of Classification Search** D6/470,
D6/471, 474, 477-479, 460-461, 468; 108/59,
108/91, 92, 96; 211/40, 41.12, 42, 49.1,
211/50, 85.2, 90.04, 187, 190; 206/307
See application file for complete search history.

Primary Examiner—Elizabeth A Albert
Assistant Examiner—Kelley A Donnelly
(74) *Attorney, Agent, or Firm*—Lerner, David, Littenberg,
Krumholz & Mentlik, LLP

(57) **CLAIM**

The ornamental design for audio video shelving unit, as shown and described.

(56) **References Cited**

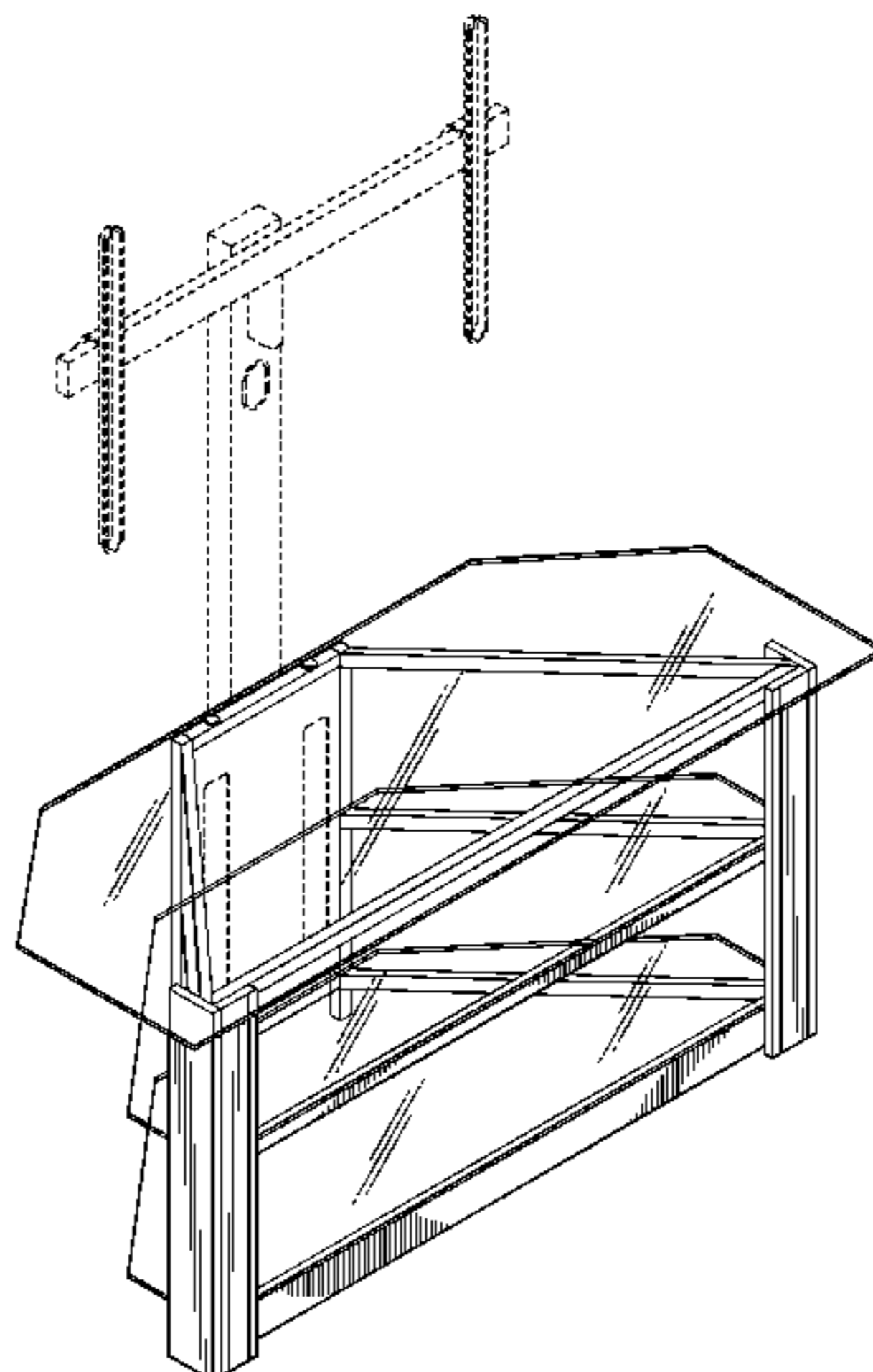
DESCRIPTION

U.S. PATENT DOCUMENTS

D454,731 S 3/2002 Niitsu et al.
D458,053 S 6/2002 Luong
D472,073 S 3/2003 de Carolis
D472,074 S 3/2003 de Carolis
D472,075 S 3/2003 de Carolis
D489,548 S 5/2004 Malizia et al.
D491,748 S 6/2004 deCarolis
D491,749 S 6/2004 Malizia et al.
D491,750 S 6/2004 Bertoncini et al.
D491,753 S 6/2004 deCarolis
D492,860 S 7/2004 Bertoncini et al.
D493,982 S 8/2004 deCarolis
D496,807 S 10/2004 deCarolis
D497,060 S 10/2004 Chang et al.
D497,061 S 10/2004 Decarolis
D505,573 S 5/2005 Malizia
D506,329 S 6/2005 Sexton
D507,433 S 7/2005 Portnoy
D507,900 S 8/2005 Sexton
D507,901 S * 8/2005 Wicha D6/477

FIG. 1 is a front perspective view of a first embodiment of the audio video shelving unit;
FIG. 2 is a front elevational view thereof;
FIG. 3 is a rear elevational view thereof;
FIG. 4 is a right side view thereof (the left side being a mirror image of the right side view);
FIG. 5 is a top plan view thereof;
FIG. 6 is a front perspective view of a second embodiment of the audio video shelving unit; and,
FIG. 7 is a top plan view of the embodiment shown in FIG. 6 (all other views of the second embodiment having the same appearance as FIGS. 2, 3 and 4).
The broken lines showing is included for the purpose of illustrating environment and forms no part of the claimed design.

1 Claim, 7 Drawing Sheets



US D619,828 S

Page 2

U.S. PATENT DOCUMENTS

| | | | | | | | |
|--------------|---------|-----------------------|--------|----------------|---------|--------------------|---------|
| D516,847 S | 3/2006 | Stenhouse et al. | | D560,077 S | 1/2008 | Zambelli | |
| D517,837 S * | 3/2006 | Takatsuki et al. | D6/477 | D562,593 S | 2/2008 | Zambelli | |
| D519,757 S | 5/2006 | Portnoy | | D564,260 S | 3/2008 | deCarolis | |
| D522,275 S * | 6/2006 | Becker | D6/479 | D564,261 S | 3/2008 | Sculler | |
| D524,080 S | 7/2006 | Stenhouse et al. | | D564,789 S | 3/2008 | deCarolis | |
| D525,052 S | 7/2006 | Malizia et al. | | D564,796 S | 3/2008 | Zambelli | |
| D525,054 S | 7/2006 | Stenhouse et al. | | 7,337,732 B2 * | 3/2008 | Becker et al. | 108/193 |
| D527,208 S | 8/2006 | Malizia et al. | | D587,483 S | 3/2009 | Zambelli | |
| D529,317 S * | 10/2006 | Takatsuki et al. | D6/479 | D587,496 S | 3/2009 | Weitz | |
| D535,497 S | 1/2007 | Portnoy | | D587,497 S | 3/2009 | Zambelli | |
| D537,656 S | 3/2007 | Stenhouse et al. | | D589,280 S | 3/2009 | Zambelli | |
| D539,057 S * | 3/2007 | Senda et al. | D6/477 | D590,636 S | 4/2009 | Ou Yang et al. | |
| D542,059 S | 5/2007 | Moyle et al. | | D590,637 S | 4/2009 | Portnoy | |
| D543,729 S | 6/2007 | Weatherly | | D592,428 S | 5/2009 | Zambelli | |
| D549,991 S | 9/2007 | Stravitz | | D594,248 S | 6/2009 | Zambelli | |
| D554,393 S | 11/2007 | Yalif | | D595,978 S | 7/2009 | Portnoy et al. | |
| D555,397 S | 11/2007 | Yalif | | D599,584 S | 9/2009 | Zambelli | |
| D559,583 S | 1/2008 | Zambelli | | D600,946 S * | 9/2009 | Day | D6/479 |
| D559,584 S | 1/2008 | Zambelli | | D604,251 S | 11/2009 | Hwang | |
| | | | | D605,874 S | 12/2009 | Zambelli | |

* cited by examiner

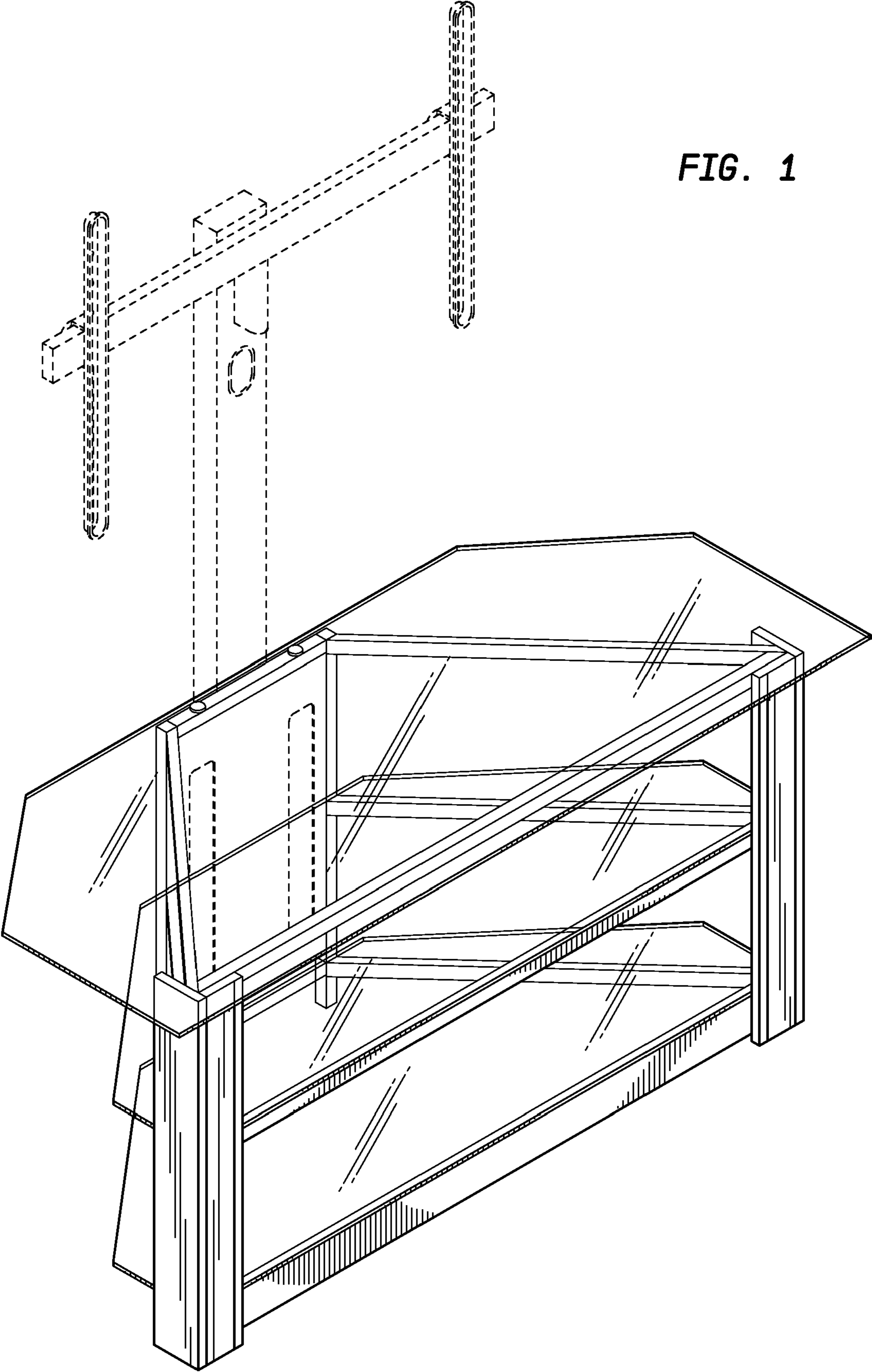


FIG. 2

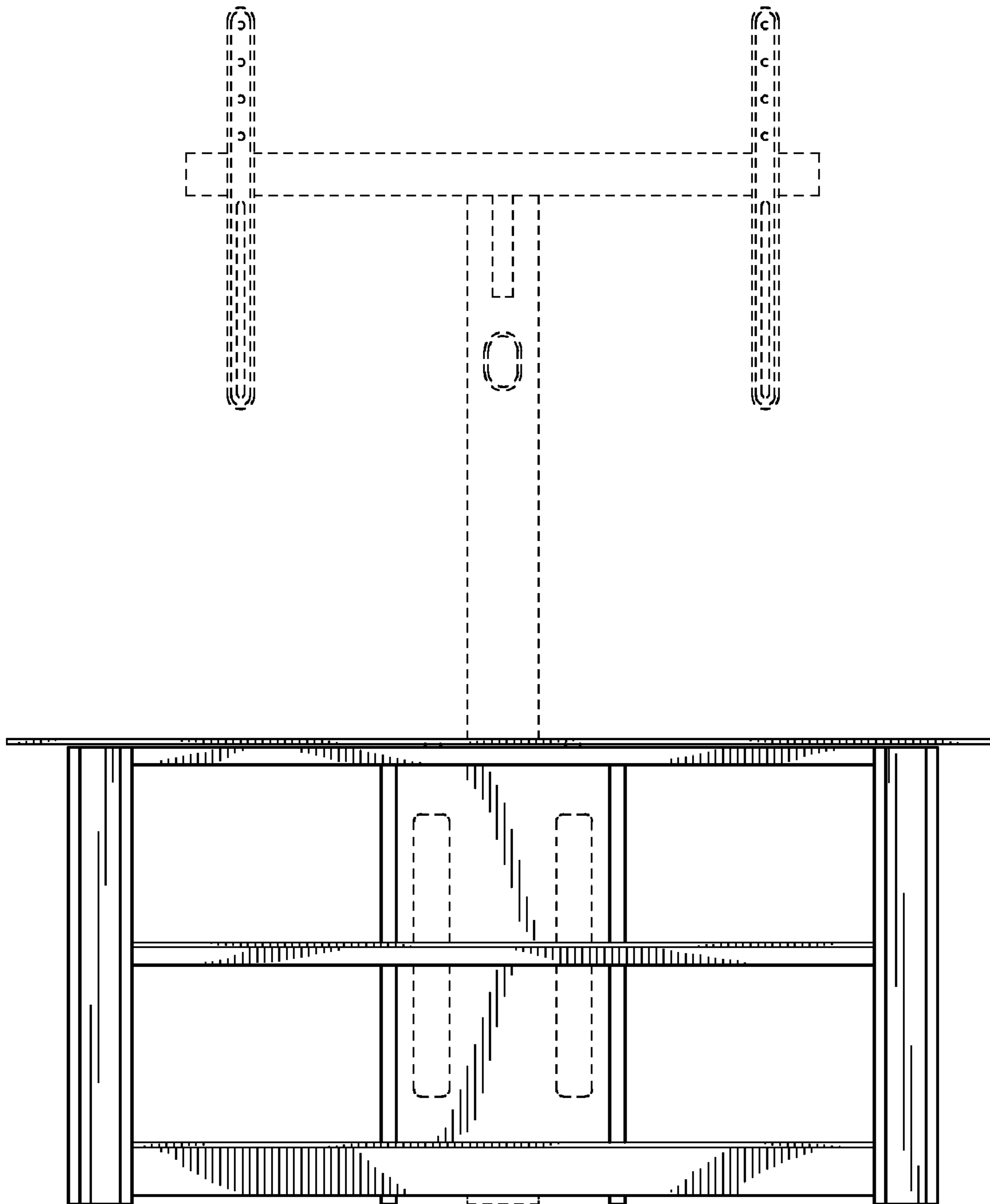


FIG. 3

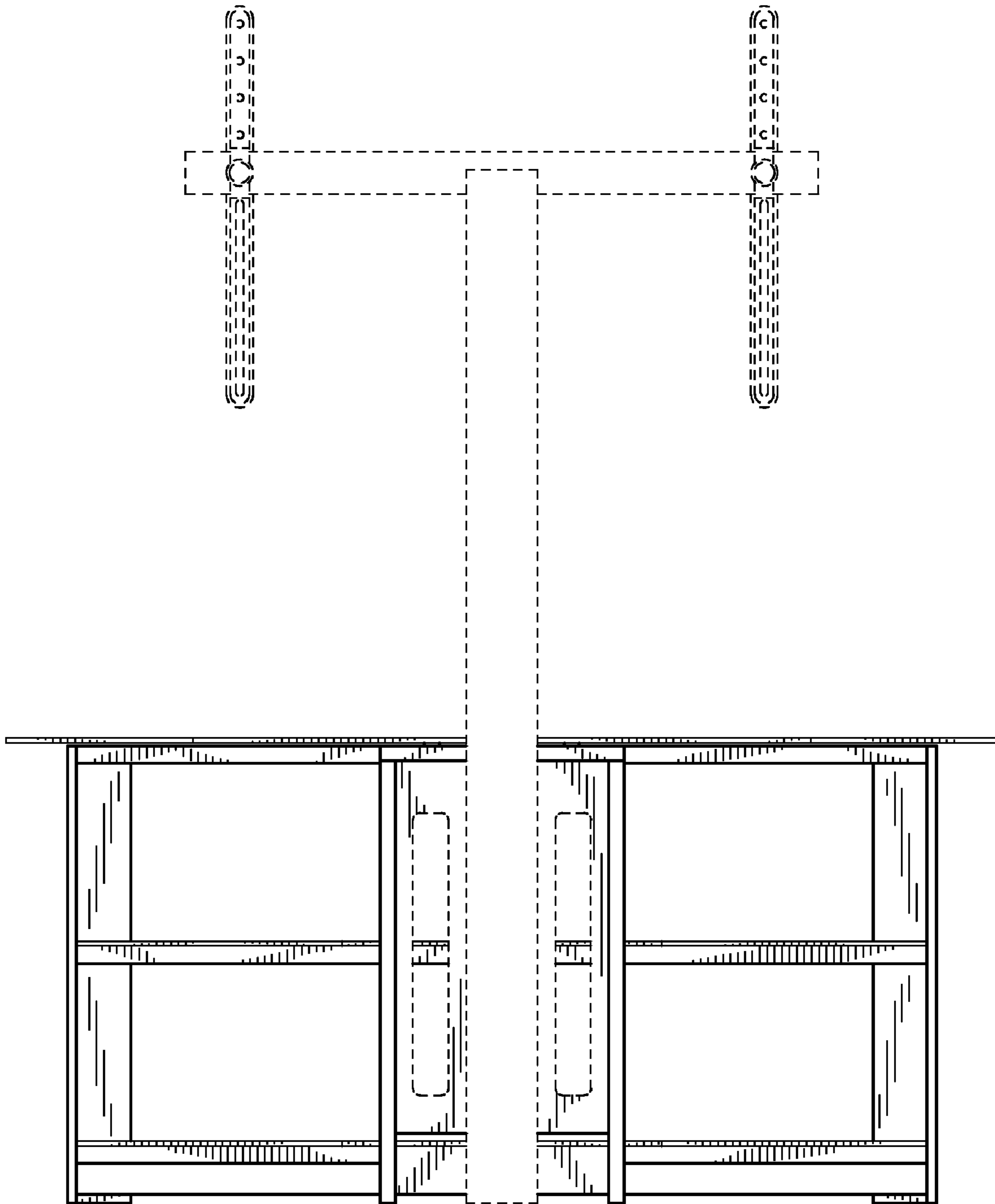


FIG. 4

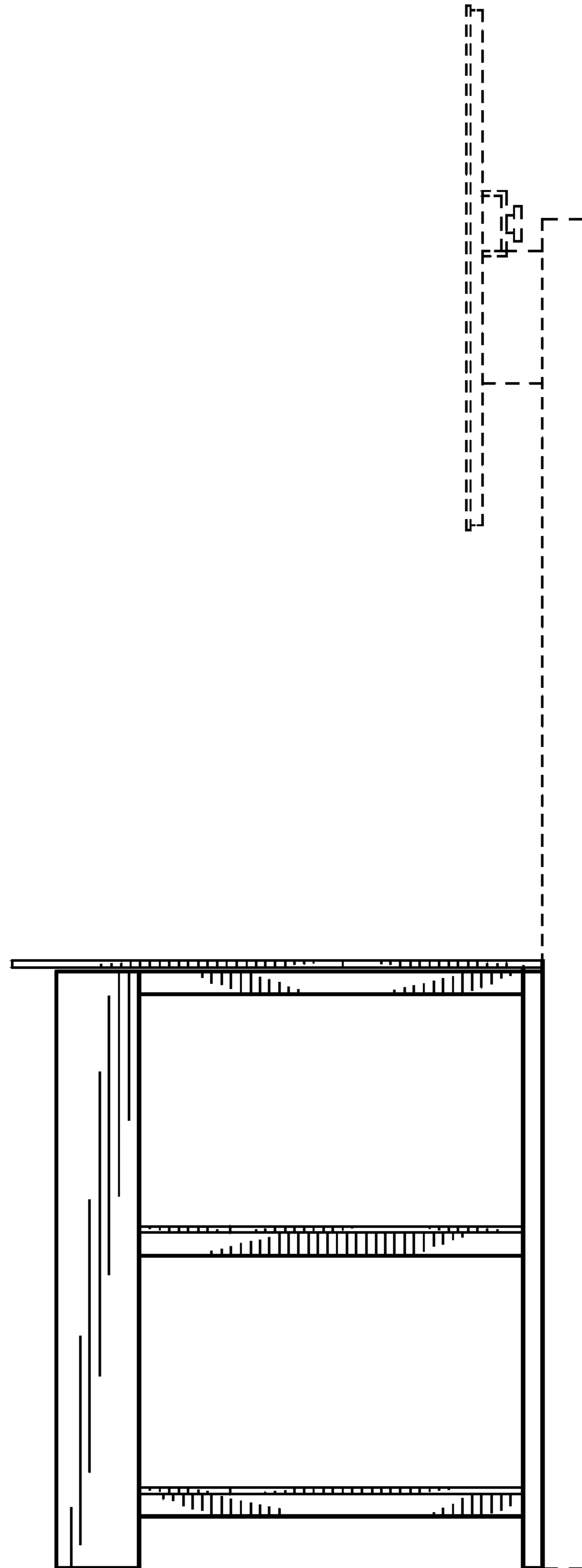
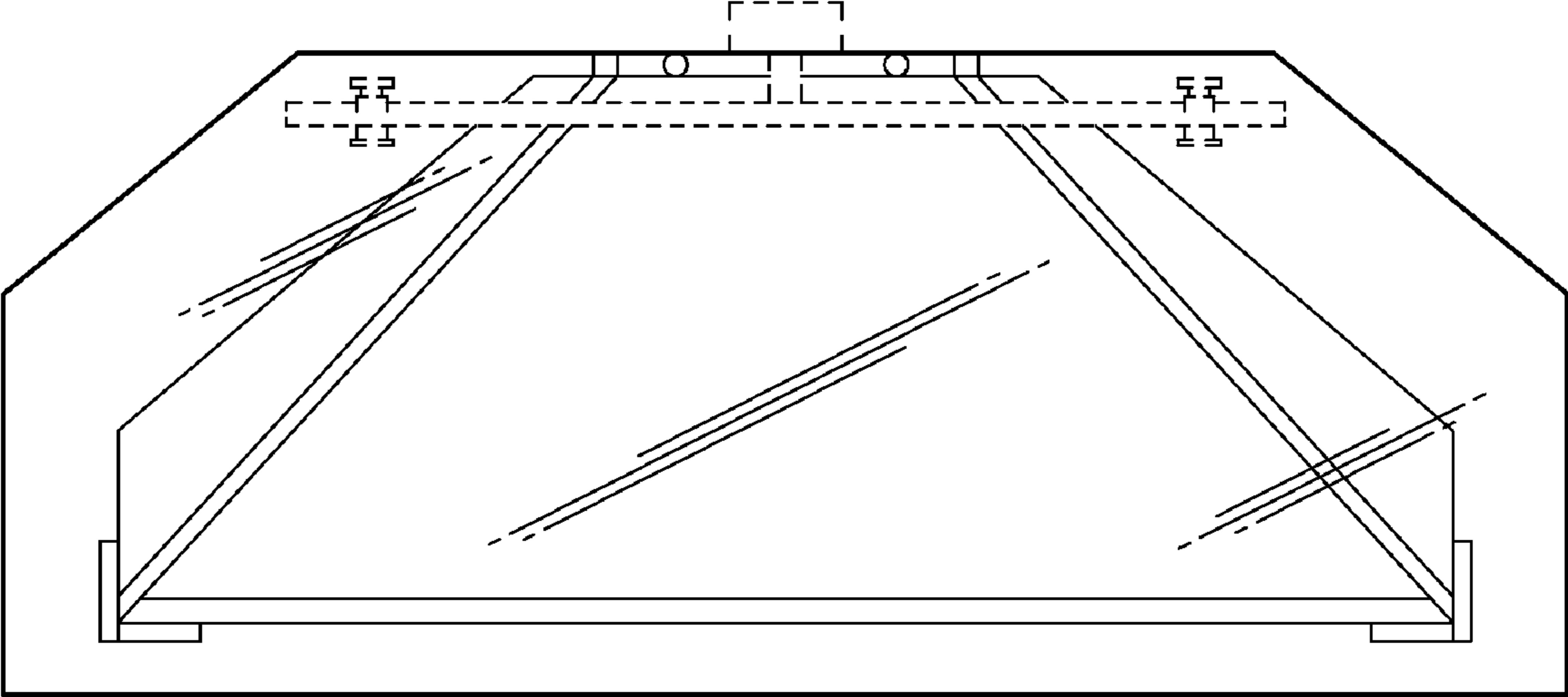


FIG. 5



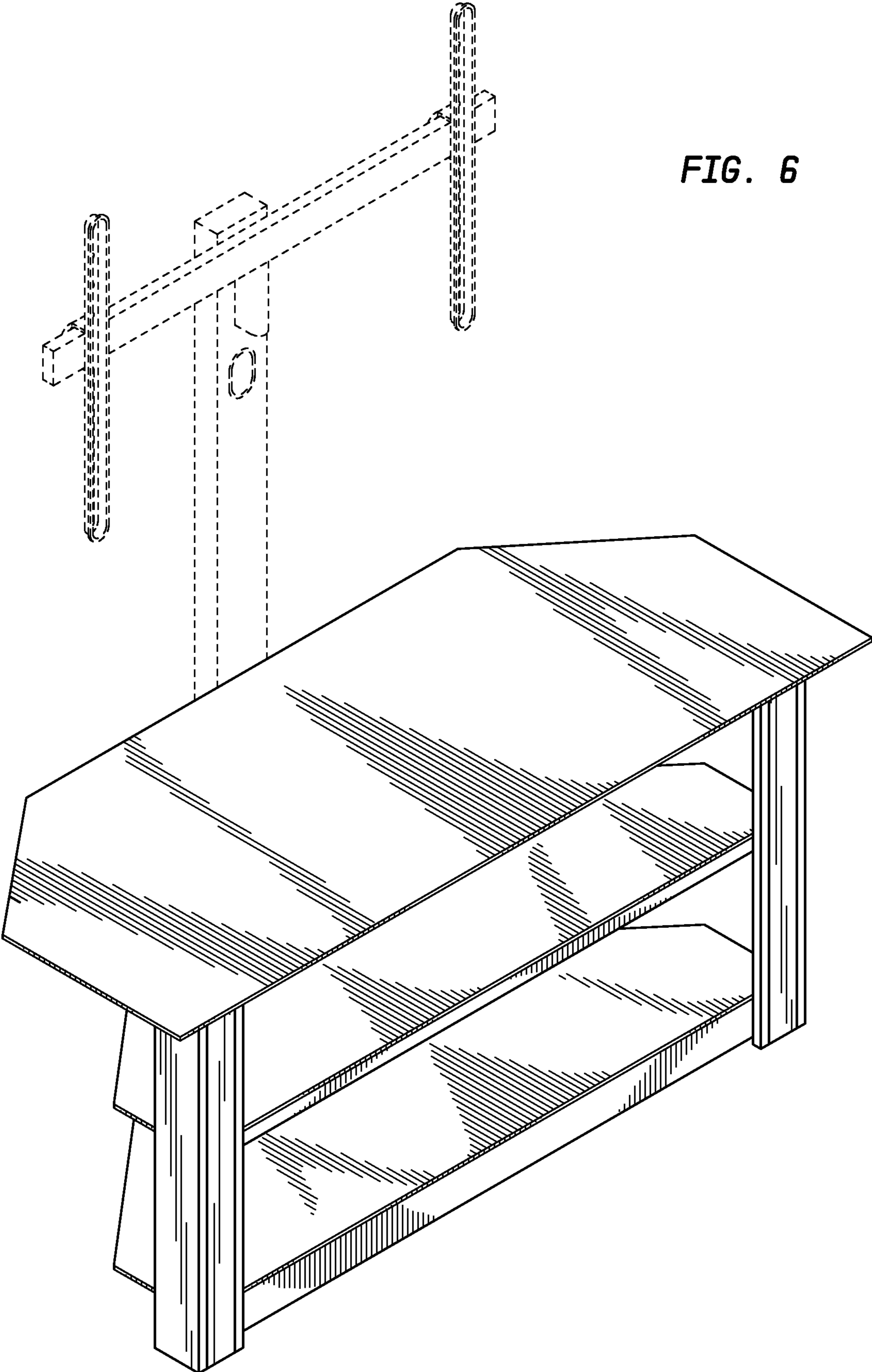


FIG. 6

FIG. 7

