



US00D619824S

(12) **United States Design Patent**
Preußner-Pfaff et al.

(10) **Patent No.:** **US D619,824 S**
(45) **Date of Patent:** **** Jul. 20, 2010**

(54) **COMPUTER CABINET**

(75) Inventors: **Sascha Preußner-Pfaff**, Herborn (DE);
Markus Neuhof, Ehringshausen (DE)

(73) Assignee: **Rittal GmbH & Co. KG**, Herborn (DE)

(**) Term: **14 Years**

(21) Appl. No.: **29/313,026**

(22) Filed: **Dec. 2, 2008**

Related U.S. Application Data

(62) Division of application No. 29/292,170, filed on Sep. 28, 2007, now abandoned.

(51) **LOC (9) Cl.** **06-06**

(52) **U.S. Cl.** **D6/432**

(58) **Field of Classification Search** D14/100,
D14/102, 107-109; D6/432, 436, 445, 448;
D13/162-163, 184, 199; 312/208.1
See application file for complete search history.

(56) **References Cited**

U.S. PATENT DOCUMENTS

- D179,994 S * 4/1957 Wells et al. D13/163
- D179,998 S * 4/1957 Well et al. D14/305
- D250,187 S * 11/1978 Zierhut D14/369
- D279,566 S * 7/1985 Case D18/4.4
- D289,035 S * 3/1987 Lepoix D13/184
- D326,967 S * 6/1992 Bardelang D6/436
- D329,044 S * 9/1992 Kurth et al. D10/88
- D374,954 S * 10/1996 Katz et al. D32/6
- 6,201,690 B1 * 3/2001 Moore et al. 361/679.21
- D458,968 S * 6/2002 Taxon D20/8
- D462,025 S * 8/2002 Ripoché D10/91
- D469,412 S * 1/2003 Witte D13/184
- D483,755 S * 12/2003 Arnold et al. D14/302
- D487,730 S * 3/2004 Muller D13/184

- D492,073 S * 6/2004 Sneddon D32/6
- D526,453 S * 8/2006 Jun D32/6
- D538,552 S * 3/2007 Bixby et al. D6/446

(Continued)

OTHER PUBLICATIONS

Co-Pending U.S. Appl. No. 29/292,170, filed Sep. 28, 2007; inventors Sascha Preußner-Pfaff et al.; title To Receive electrical Built-Ins for Control Purposes in the Industrial and Computer Fields.

Primary Examiner—Elizabeth A Albert

Assistant Examiner—Kelley A Donnelly

(74) *Attorney, Agent, or Firm*—Pauley Petersen & Erickson

(57) **CLAIM**

The ornamental design for a computer cabinet, as shown and described.

DESCRIPTION

FIG. 1 is a perspective view of a computer cabinet in one position, according to one embodiment of this invention;

FIG. 2 is a front view of the computer cabinet, as shown in FIG. 1;

FIG. 3 is a rear view of the computer cabinet, as shown in FIG. 1;

FIG. 4 is a side view of the computer cabinet, as shown in FIG. 1;

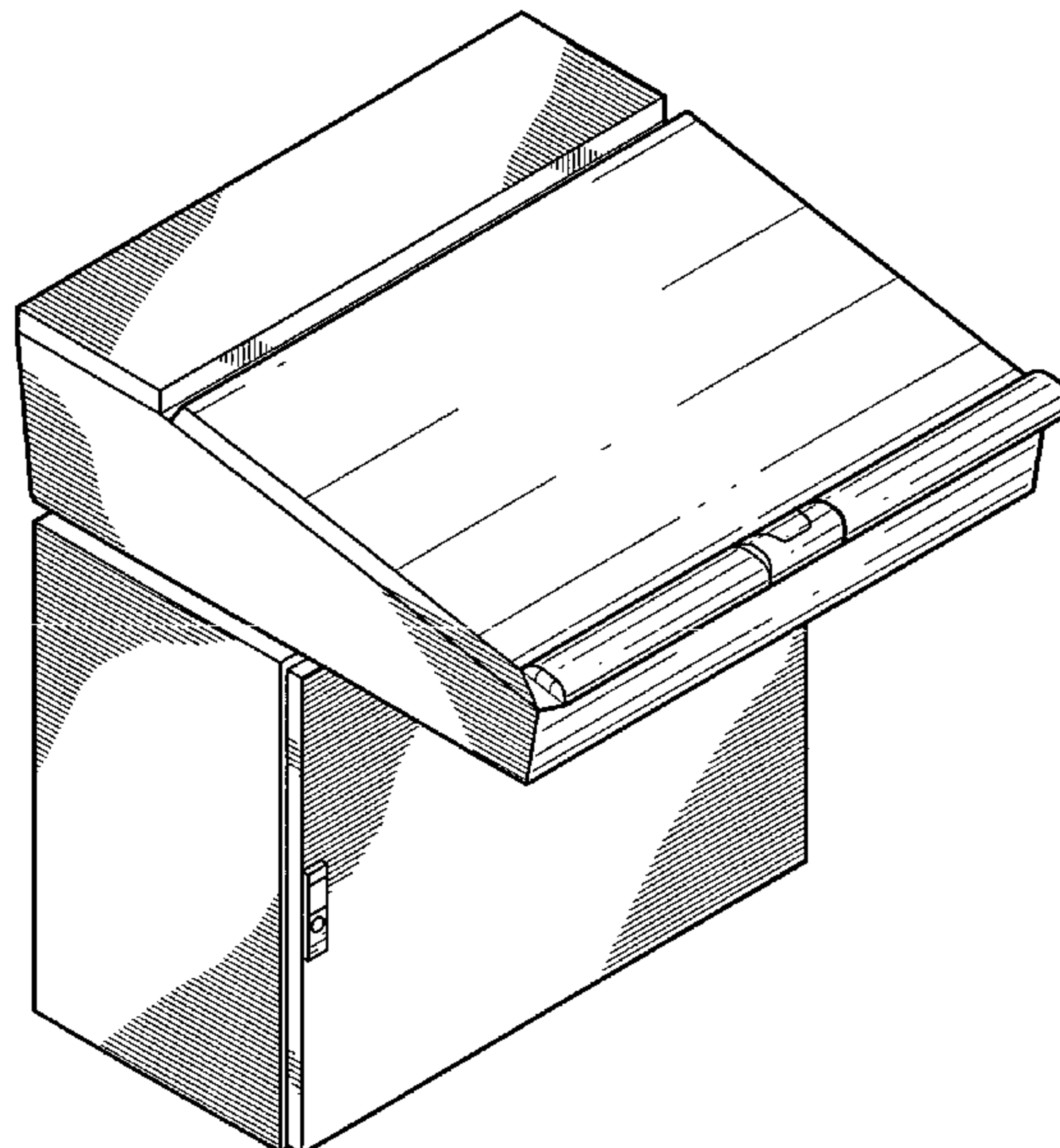
FIG. 5 is a side view, opposite the side view shown in FIG. 4, of the computer cabinet, as shown in FIG. 1;

FIG. 6 is a top view of the computer cabinet, as shown in FIG. 1; and,

FIG. 7 is a bottom view of the computer cabinet, as shown in FIG. 1.

The broken line showing is for environmental purposes only and forms no part of the claimed design.

1 Claim, 7 Drawing Sheets



US D619,824 S

Page 2

U.S. PATENT DOCUMENTS

D545,374 S *	6/2007	Gollob	D20/6			
D549,485 S *	8/2007	Bixby et al.	D6/446			
					* cited by examiner	
				D570,132 S *	6/2008 Evans et al. D6/432	
				D595,062 S *	6/2009 Randazzo	D6/432

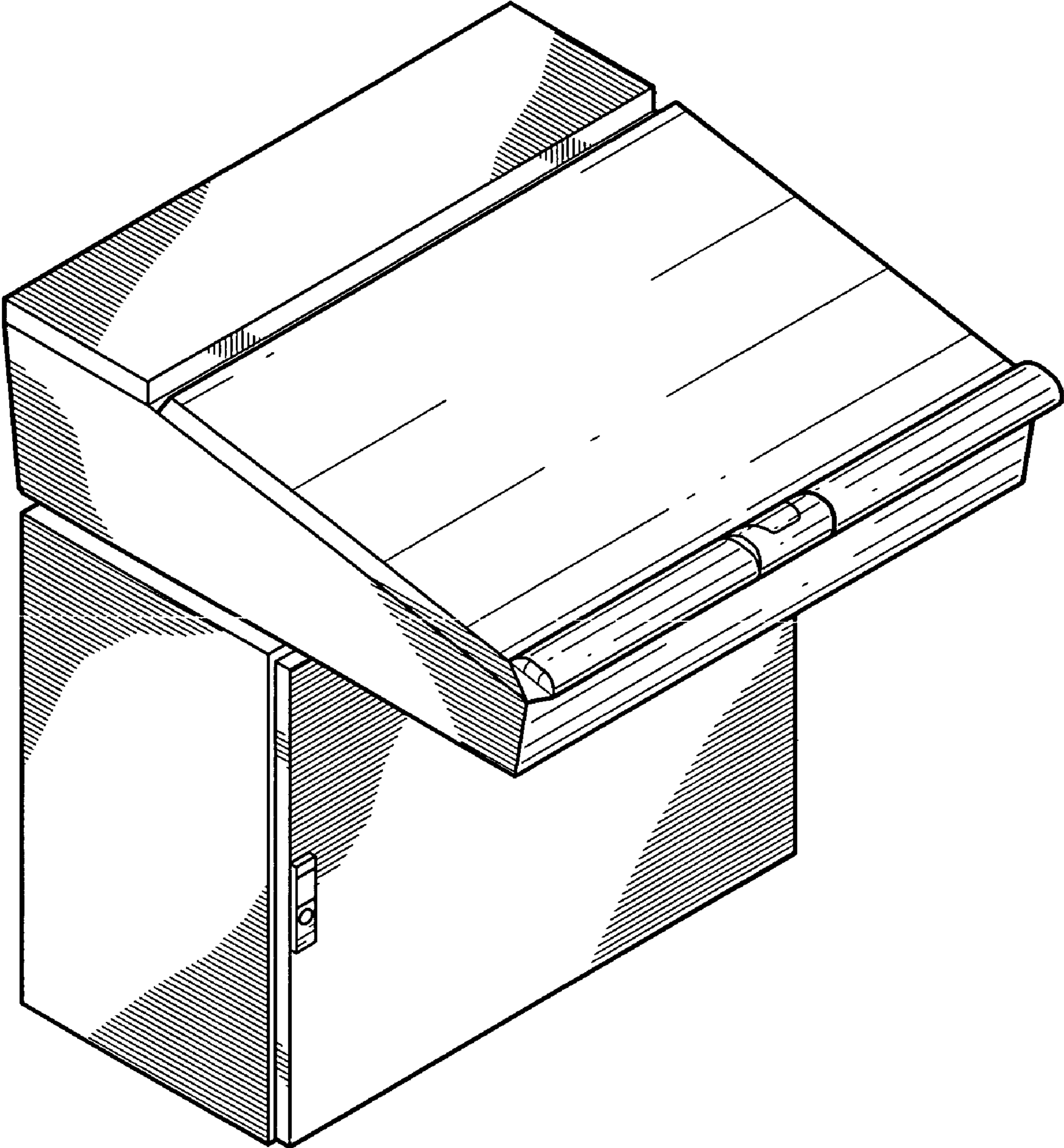


FIG. 1

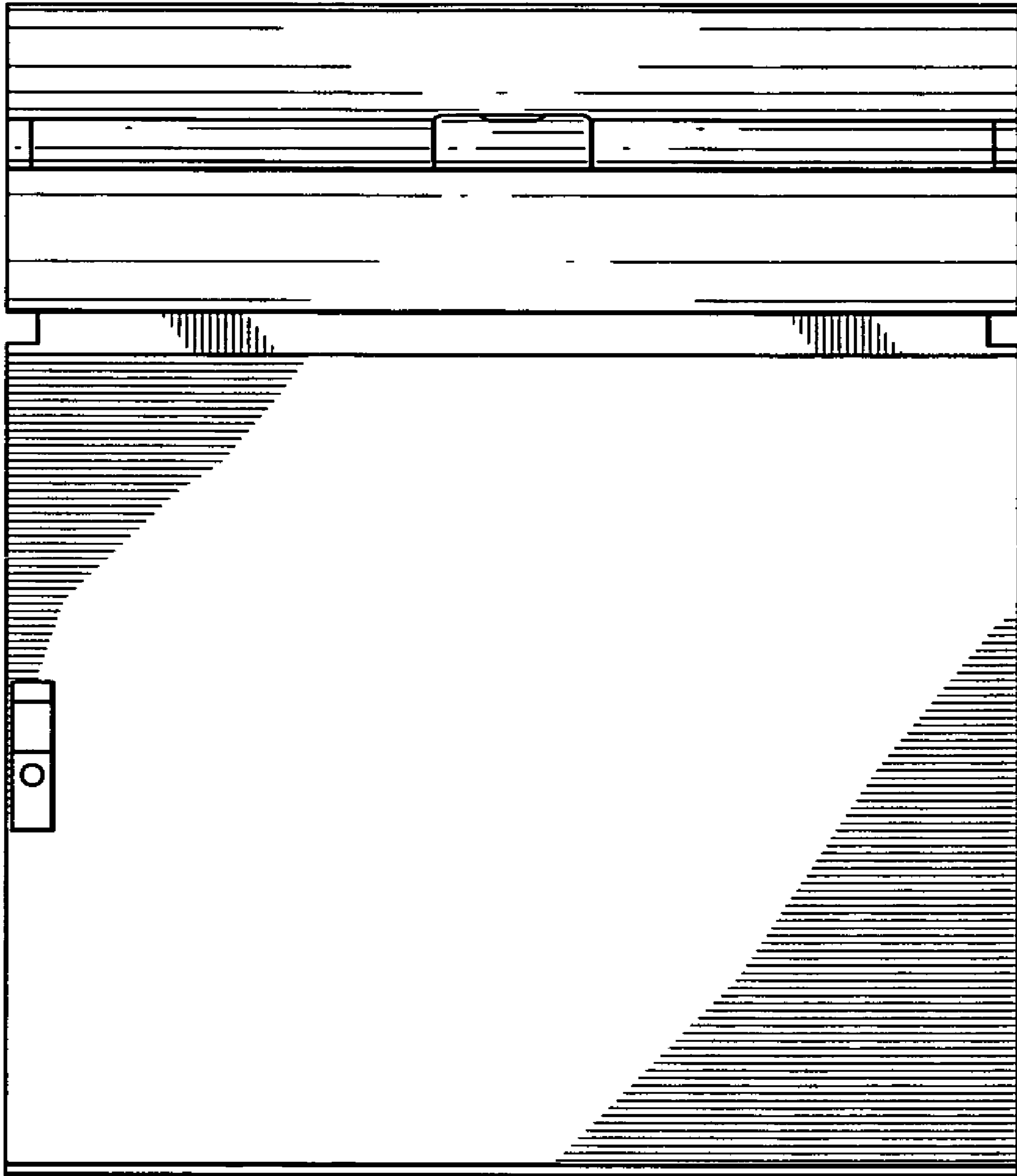


FIG. 2

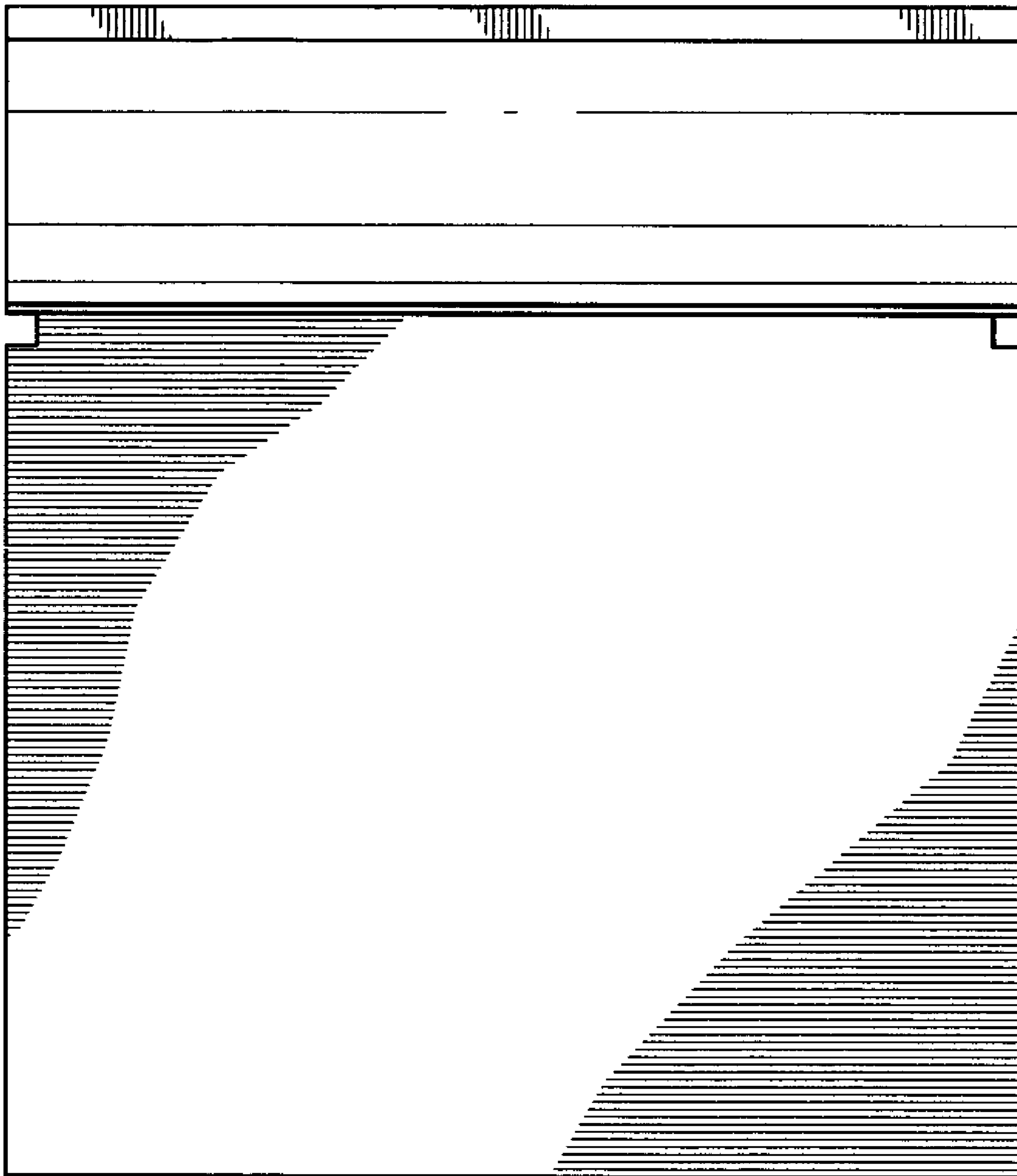


FIG. 3

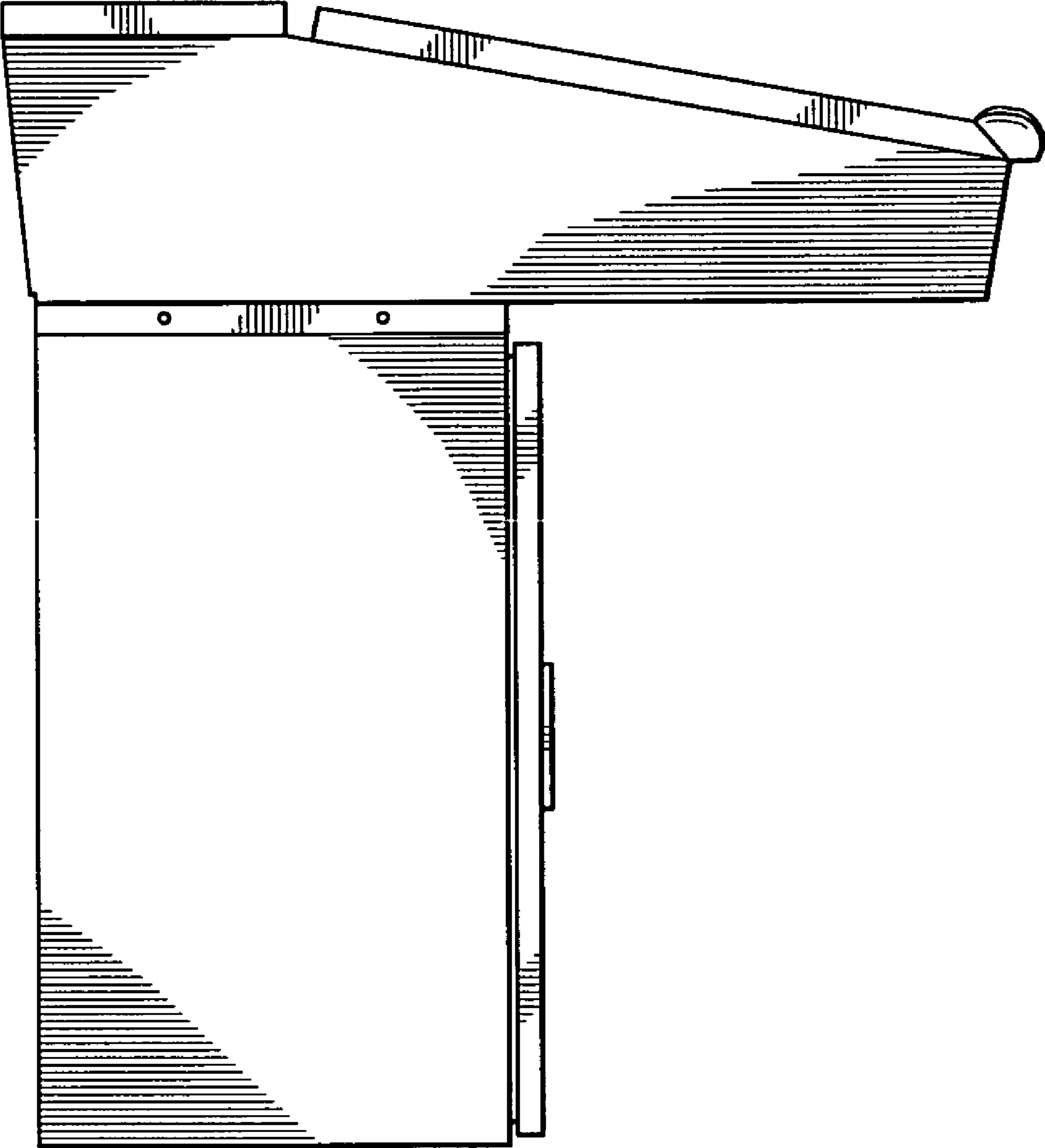


FIG.4

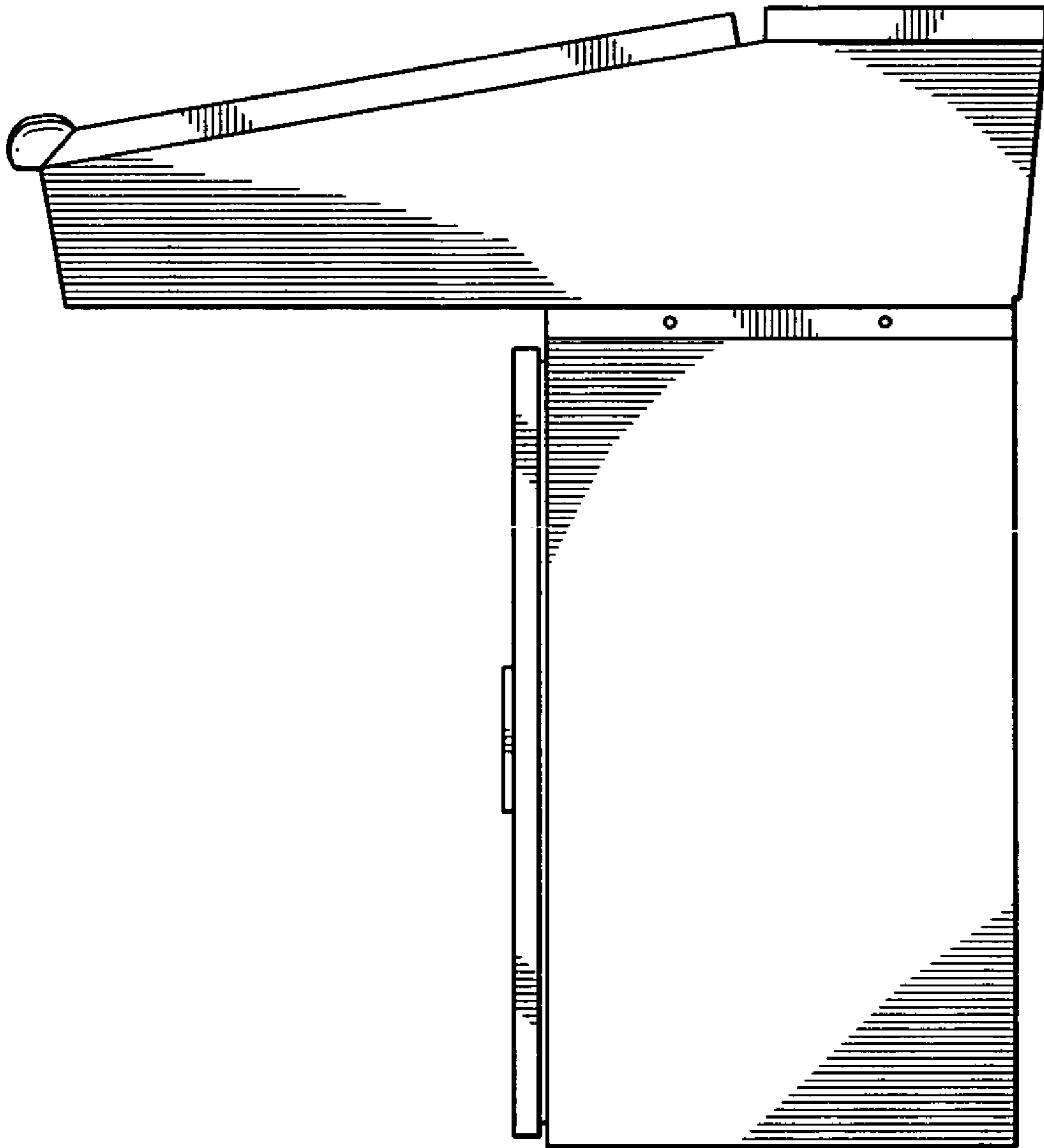


FIG. 5

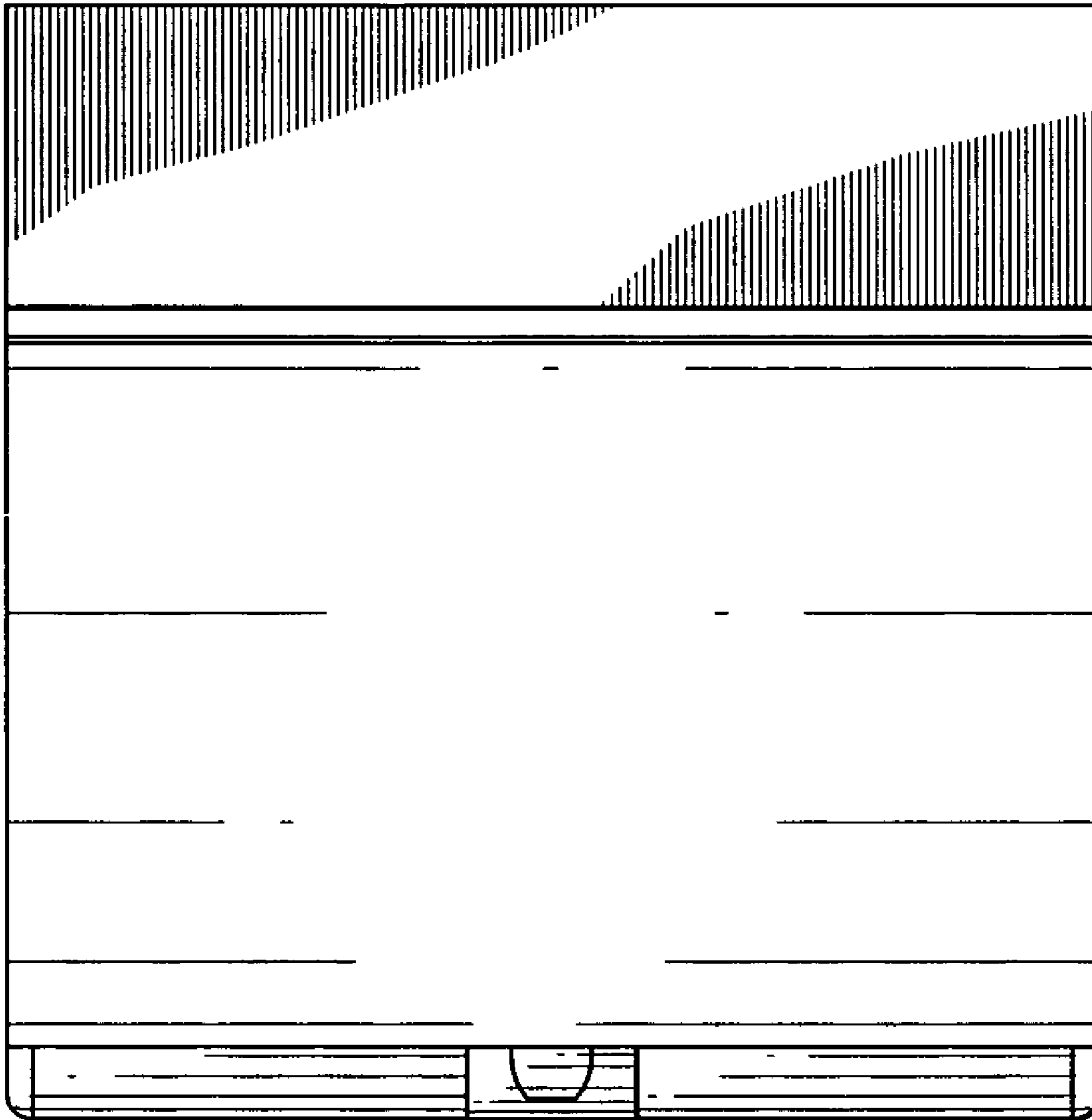


FIG. 6

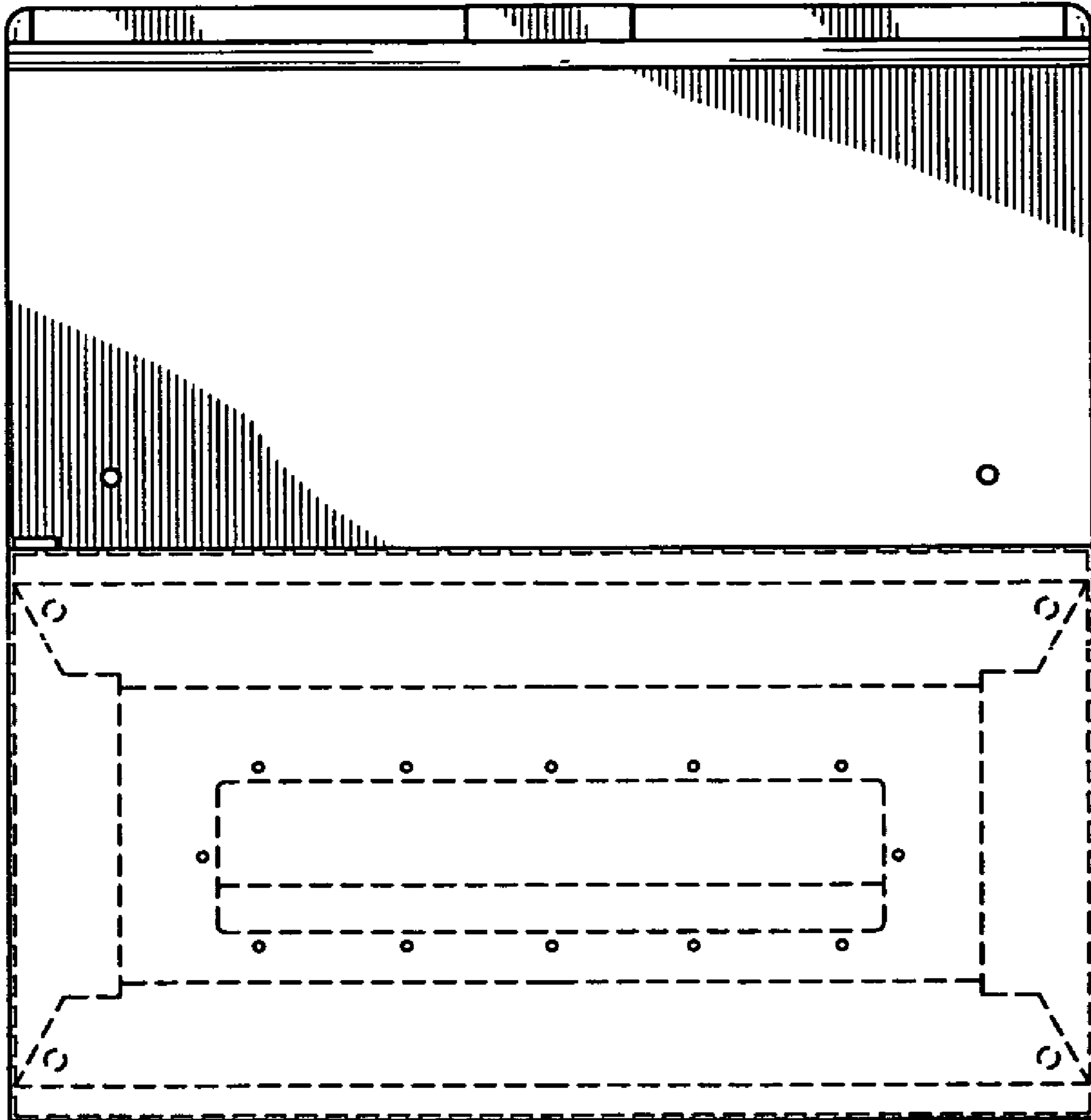


FIG. 7