



US00D619823S

(12) **United States Design Patent**
Jennings

(10) **Patent No.:** **US D619,823 S**
(45) **Date of Patent:** **** Jul. 20, 2010**

(54) **LAP DESK**

(75) Inventor: **Don Micheal Jennings**, Arlington, TX
(US)

(73) Assignee: **Creative Essentials, LLC**, Arlington,
TX (US)

(**) Term: **14 Years**

(21) Appl. No.: **29/329,497**

(22) Filed: **Dec. 16, 2008**

(51) **LOC (9) Cl.** **06-02**

(52) **U.S. Cl.** **D6/406.3**

(58) **Field of Classification Search** D6/406.1-406.6,
D6/421, 422; D3/274; D19/91; 108/43,
108/115; 434/432

See application file for complete search history.

(56) **References Cited**

U.S. PATENT DOCUMENTS

130,094 A	7/1872	White et al.	
D52,657 S	11/1918	Howland	
1,364,022 A	12/1920	Bauer	
3,407,757 A	10/1968	Warner	
4,052,944 A	10/1977	Jennings	
D259,904 S	7/1981	Ng et al.	
D276,732 S	12/1984	Marquez	
4,537,646 A	8/1985	Hoyle	
D312,358 S	11/1990	Horne	
D315,463 S	3/1991	Spiegel	
5,090,334 A	2/1992	Sutton	
D327,998 S *	7/1992	Williams	D6/475
5,127,339 A	7/1992	Hood, Jr.	
D335,226 S	5/1993	Horne	
D335,227 S	5/1993	Lapsker et al.	
D342,170 S *	12/1993	Palmer	D12/425
D344,435 S *	2/1994	Whall	D7/554.3
D354,636 S	1/1995	Cable	
5,460,102 A	10/1995	Pasmanick	
D371,644 S	7/1996	Lillelund et al.	
D376,948 S	12/1996	Sullins et al.	
5,598,786 A	2/1997	Patterson	
D390,718 S	2/1998	Howland et al.	

D400,949 S	11/1998	Gale	
D411,388 S *	6/1999	Sacco et al.	D6/406.6
D413,209 S	8/1999	Jarke	
5,937,765 A *	8/1999	Stirling	108/43
D418,327 S	1/2000	Sullins et al.	
6,035,789 A *	3/2000	Ben-Haim	108/43
6,041,715 A	3/2000	Jarke et al.	
6,044,758 A	4/2000	Drake	
6,050,200 A	4/2000	Sullins et al.	
D426,409 S	6/2000	Clark et al.	
D433,580 S	11/2000	Jarke et al.	
D440,798 S	4/2001	Kuhlman et al.	

(Continued)

OTHER PUBLICATIONS

Lap Desk Originals "Products for Today's Mobile Lifestyle", Creative Essentials, LLC Aug. 2007, 4 pages.

Primary Examiner—Ian Simmons

Assistant Examiner—Charles D Hanson

(74) *Attorney, Agent, or Firm*—Locke Lord Bissell & Liddell, LLP

(57) **CLAIM**

The ornamental design for a lap desk, as shown and described.

DESCRIPTION

FIG. 1 is a perspective view of a lap desk showing my new design;

FIG. 2 is a top plan view thereof;

FIG. 3 is a bottom plan view thereof;

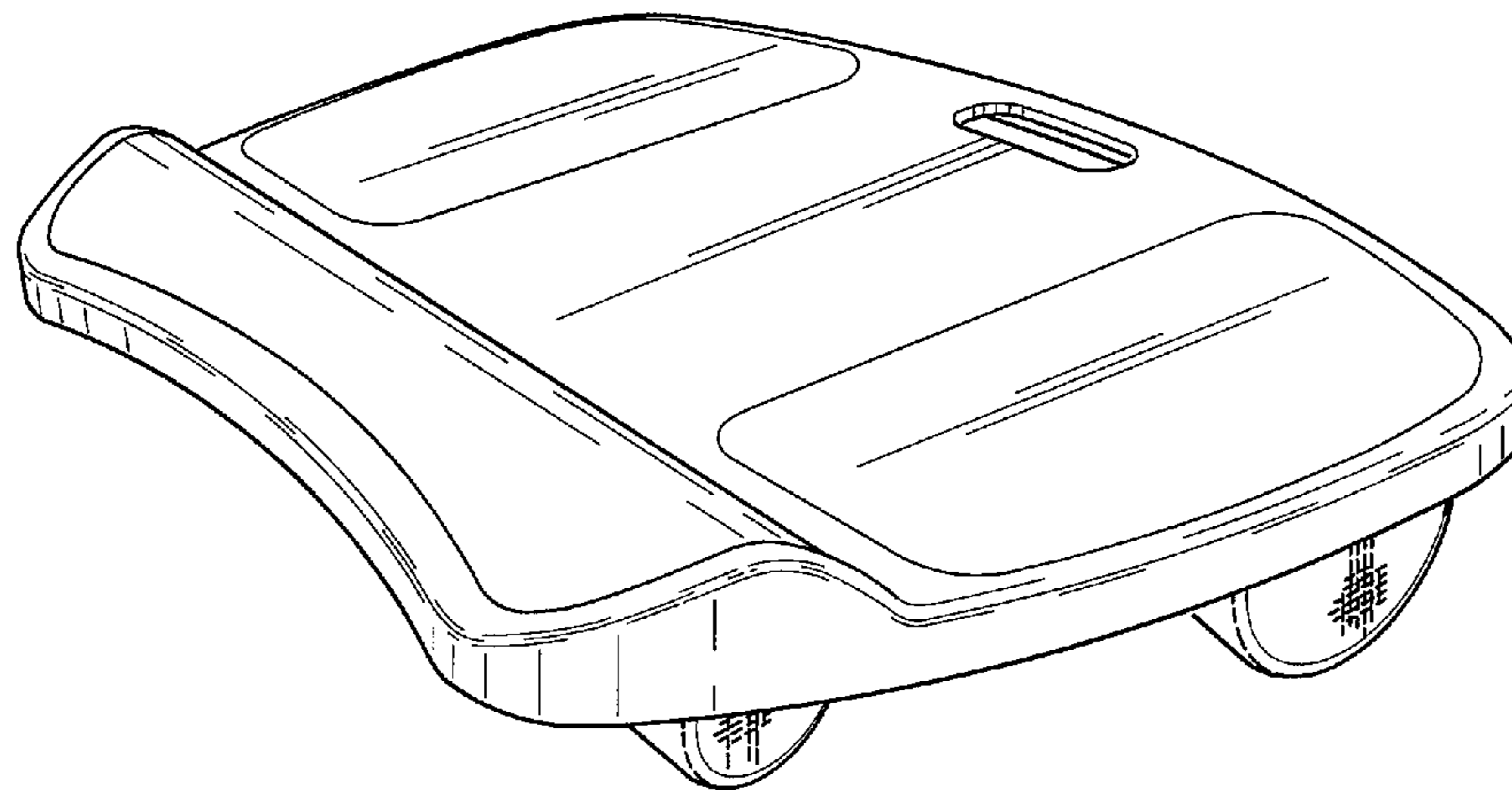
FIG. 4 is a front elevational view thereof;

FIG. 5 is a rear elevational view thereof; and,

FIG. 6 is a right side elevational view thereof, the left side elevational view being a mirror image thereof.

The broken lines shown in the drawings are included for the purpose of illustrating stitching. The textures shown in the drawings are applied throughout the areas indicated.

1 Claim, 2 Drawing Sheets



US D619,823 S

Page 2

U.S. PATENT DOCUMENTS

D442,795 S	5/2001	Holt		
6,234,085 B1	5/2001	Ramundo		
D443,999 S	6/2001	Cable		
6,328,050 B1	12/2001	McConnell		
D452,867 S	1/2002	Goto		
6,353,530 B1	3/2002	Zarek et al.		
D455,024 S	4/2002	Mimick et al.		
D467,933 S *	12/2002	Hovsepian	D14/458	
6,496,360 B1	12/2002	Cordes et al.		
6,529,369 B1	3/2003	Zarek et al.		
D472,728 S	4/2003	Harris et al.		
6,663,072 B1	12/2003	Ritchey et al.		
6,675,721 B2	1/2004	Zeiders		
D488,816 S	4/2004	Tyler et al.		
6,757,159 B2	6/2004	Zarek et al.		
D499,575 S	12/2004	Chan		
6,894,894 B2	5/2005	Zarek et al.		
D512,245 S	12/2005	Bean et al.		
D517,833 S	3/2006	Jennings		
7,121,214 B1	10/2006	Toltzman et al.		
D531,803 S	11/2006	Jennings		
7,207,540 B2	4/2007	Thomas		
D575,077 S *	8/2008	Kessels	D6/406.3	
D583,164 S	12/2008	Jennings		
D584,070 S	1/2009	Jennings		
D609,027 S *	2/2010	Jennings	D6/406.5	

* cited by examiner

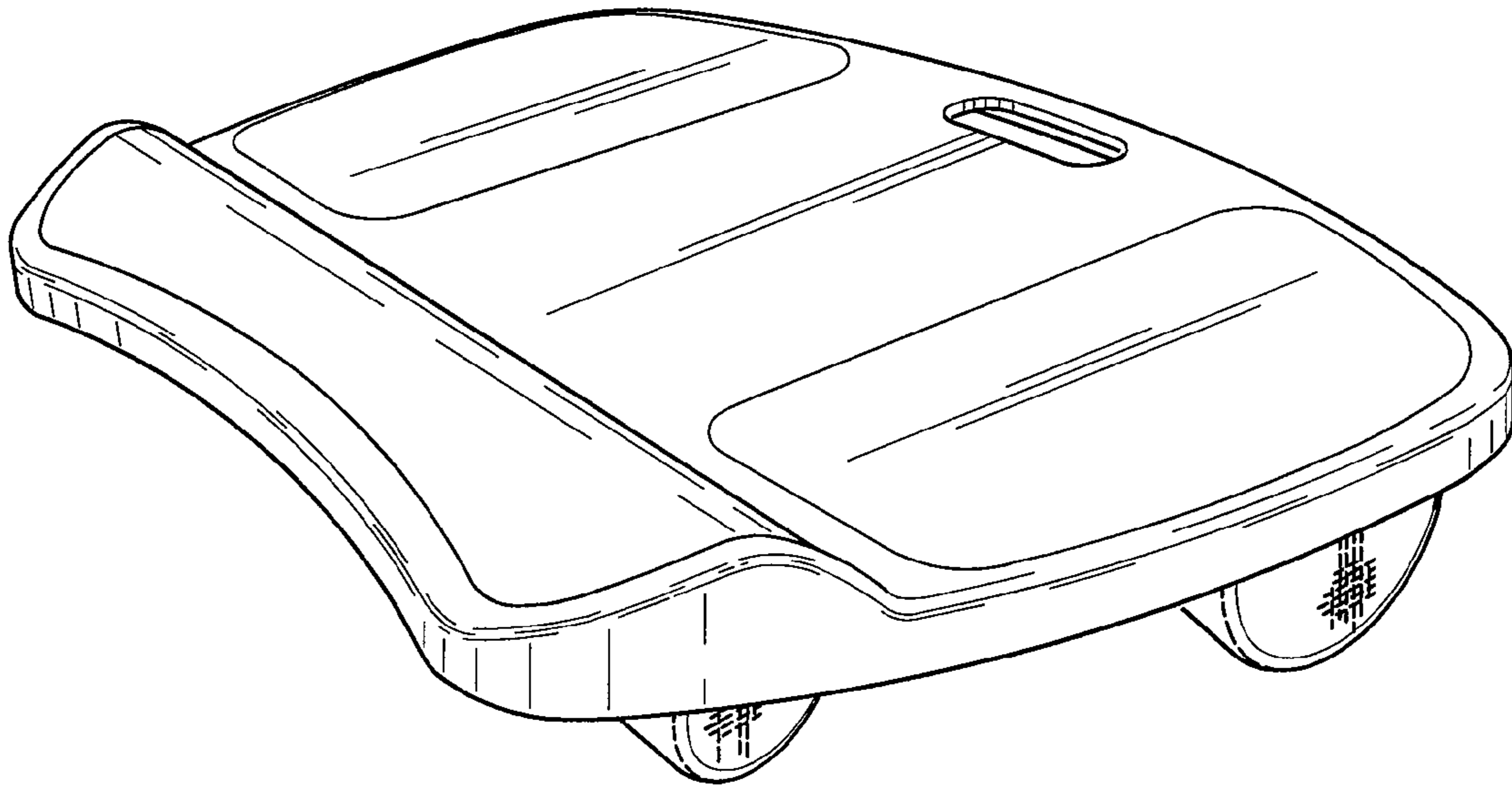


FIG. 1

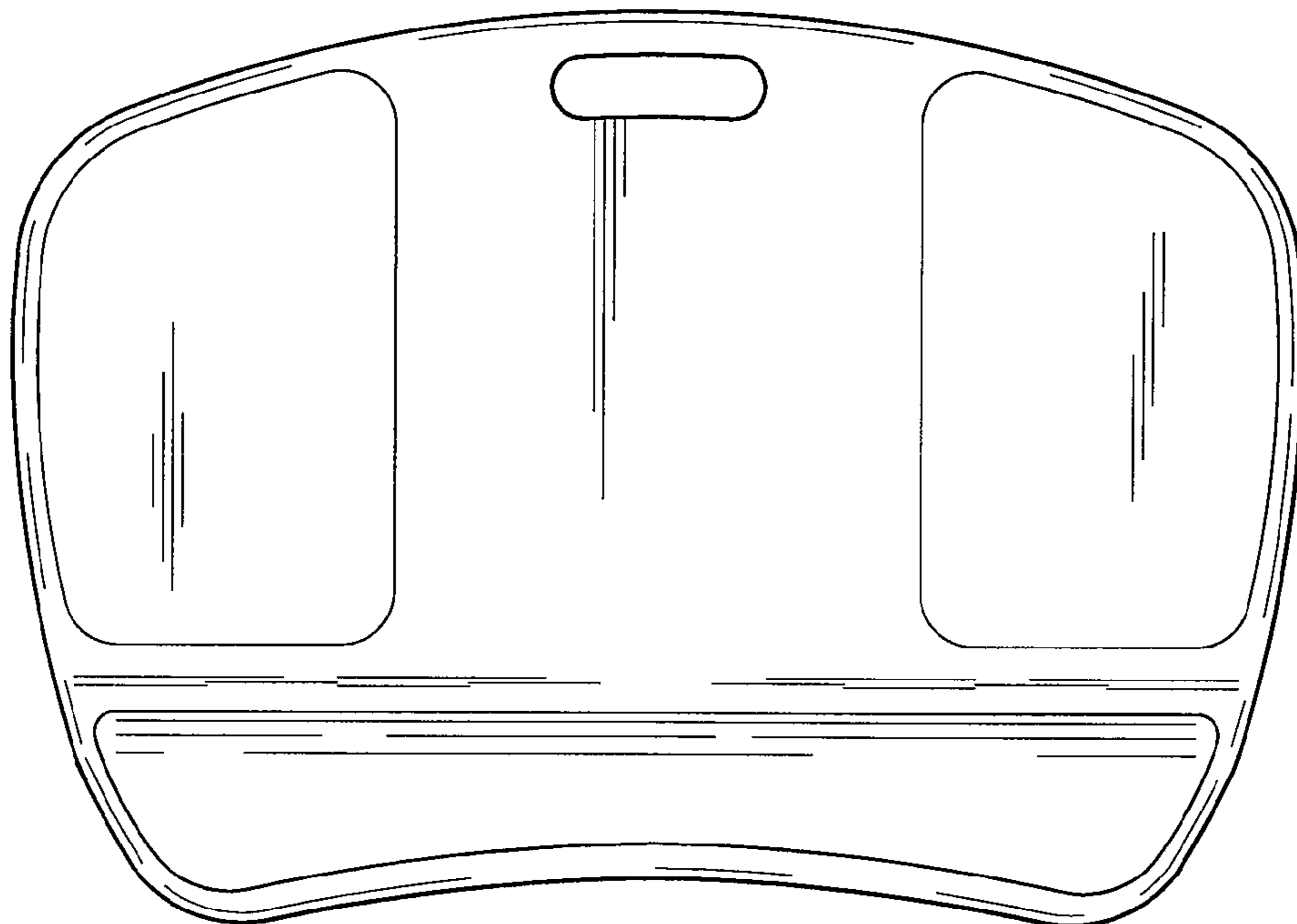


FIG. 2

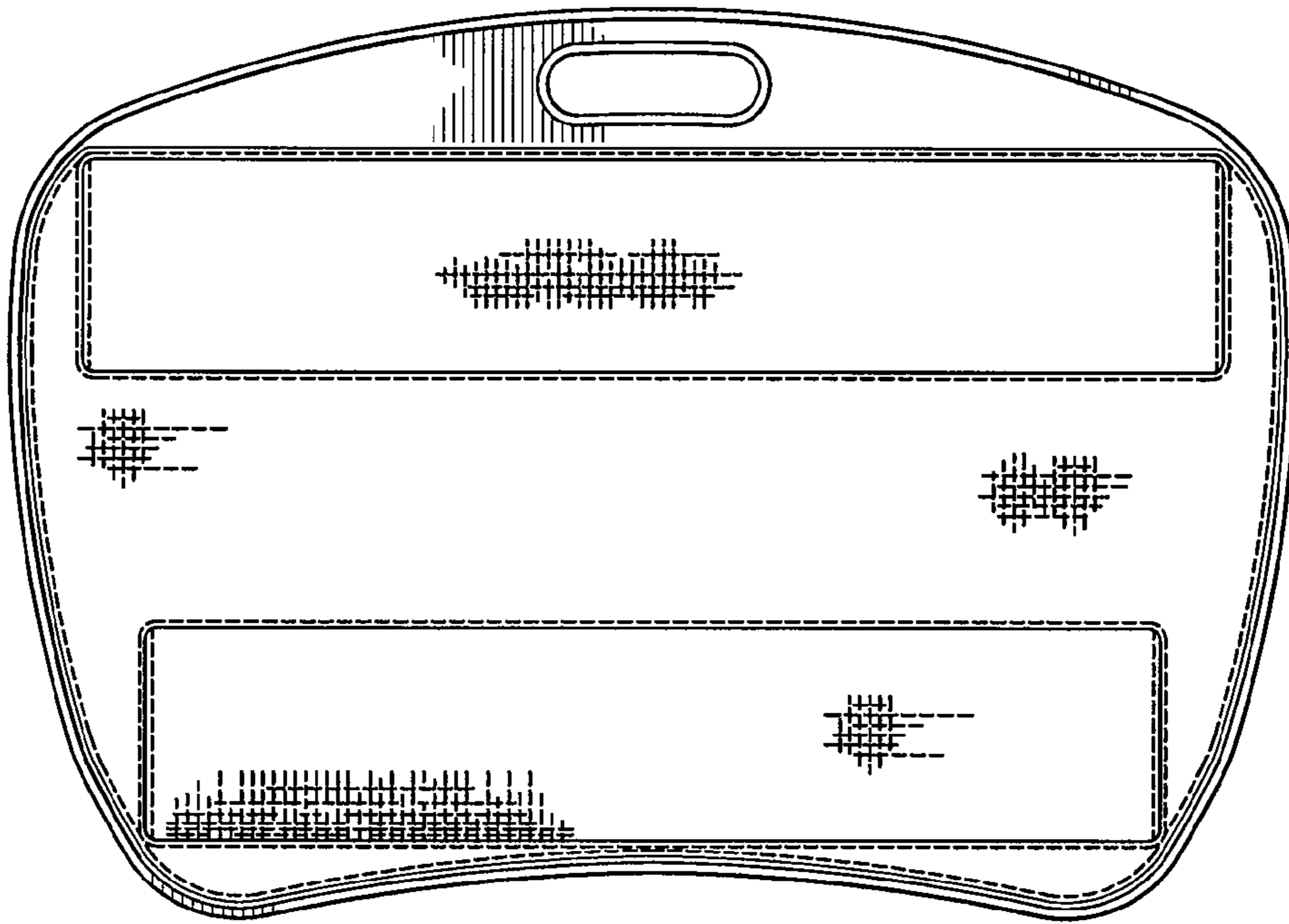


FIG. 3

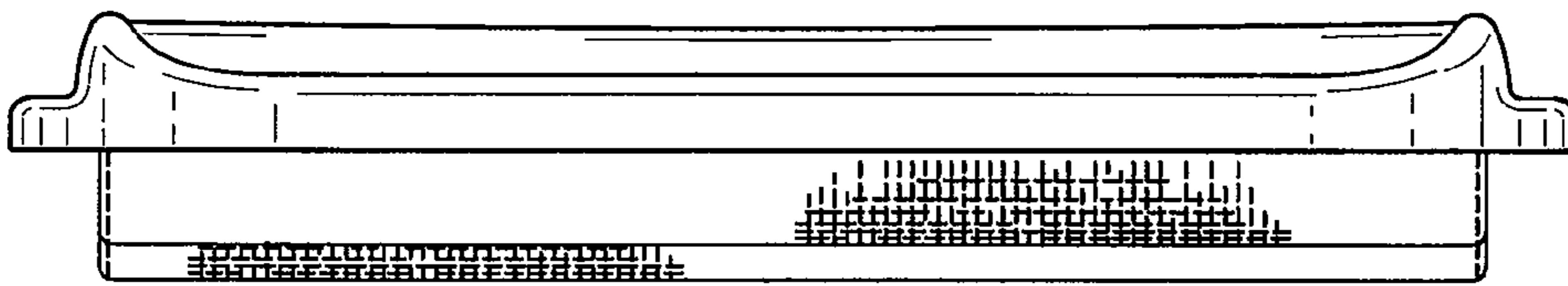


FIG. 4

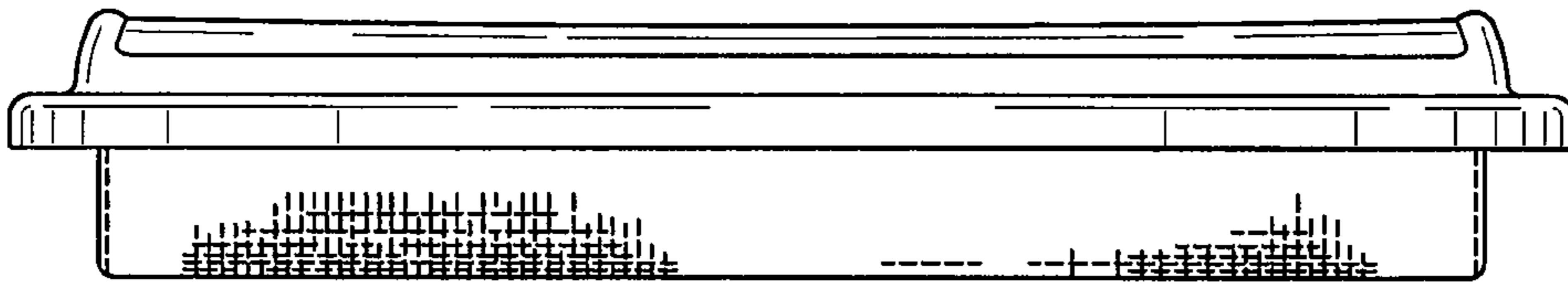


FIG. 5

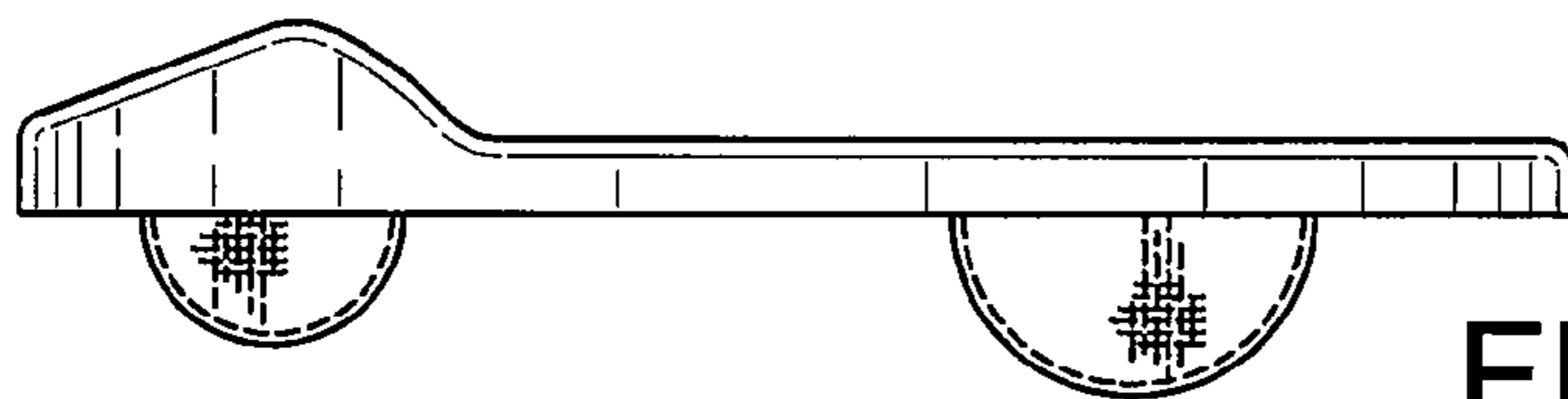


FIG. 6