



US00D619822S

(12) **United States Design Patent**
Damgaard-Sørensen

(10) **Patent No.:** **US D619,822 S**
(45) **Date of Patent:** **** Jul. 20, 2010**

(54) **FOLDING TRAY TABLE**

(75) Inventor: **Camilla Damgaard-Sørensen,**
Frederiksberg (DK)

(73) Assignee: **VIPP A/S,** Copenhagen (DK)

(**) Term: **14 Years**

(21) Appl. No.: **29/290,931**

(22) Filed: **Jan. 31, 2008**

(30) **Foreign Application Priority Data**

Jul. 31, 2007 (EM) 000766555-0001-0007

(51) **LOC (9) Cl.** **06-02**

(52) **U.S. Cl.** **D6/406.1**

(58) **Field of Classification Search** D6/406.1-406.6,
D6/421, 422; D3/274; D19/91; 108/43,
108/115; 434/432

See application file for complete search history.

(56) **References Cited**

U.S. PATENT DOCUMENTS

- 2,003,241 A * 5/1935 Brown 248/439
- D152,153 S * 12/1948 Harvey D6/349
- 2,906,412 A * 9/1959 Tanner 211/74
- 4,444,320 A * 4/1984 Chap 211/134
- 4,972,781 A * 11/1990 Montgomery et al. 108/25
- D319,358 S * 8/1991 Giugiaro D6/406.6
- 5,152,407 A * 10/1992 Massoudnia et al. 211/126.8
- D358,511 S * 5/1995 Frahm D6/484

- D390,718 S * 2/1998 Howland et al. D6/406.6
- D427,803 S * 7/2000 Walters-Dowding
et al. D6/406.6
- D428,729 S * 8/2000 Weitzman et al. D6/406.6
- D455,025 S * 4/2002 Weitzman et al. D6/406.5
- D551,876 S * 10/2007 Gusdorf et al. D6/406.6

* cited by examiner

Primary Examiner—Ian Simmons

Assistant Examiner—Charles D Hanson

(74) *Attorney, Agent, or Firm*—Dykema Gossett PLLC

(57) **CLAIM**

The ornamental design for a folding tray table, as shown and described.

DESCRIPTION

FIG. 1 is a top perspective view of a first embodiment of a folding tray table showing my new design,

FIG. 2 is a side perspective view thereof,

FIG. 3 is a side elevational view thereof, the opposite side view being a mirror image,

FIG. 4 is a bottom plan view thereof,

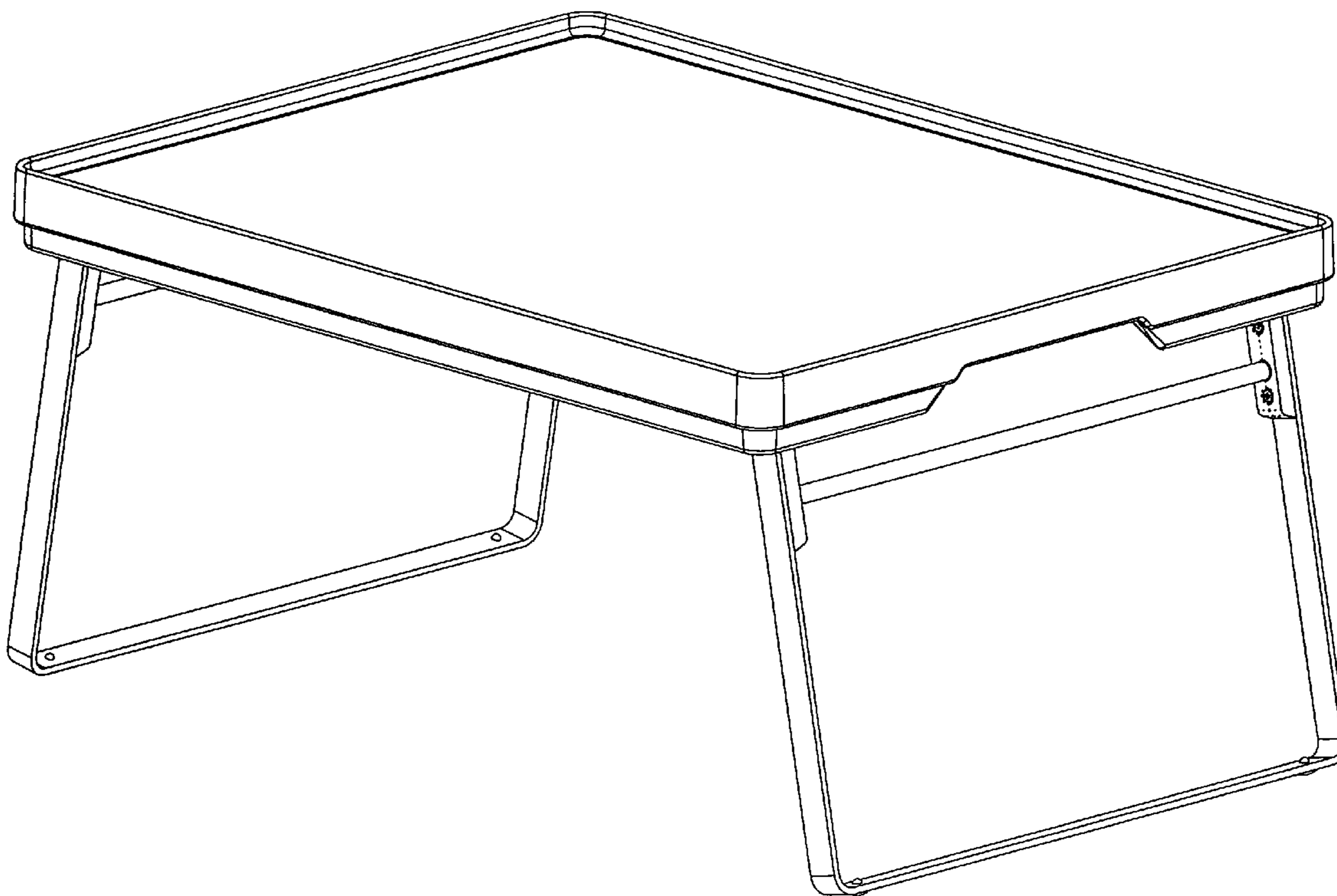
FIG. 5 is a top plan view thereof,

FIG. 6 is a first end elevational view thereof; and,

FIG. 7 is a second end elevational view thereof.

The broken line showing is included for the purpose of illustrating environment and forms no part of the claimed design.

1 Claim, 7 Drawing Sheets



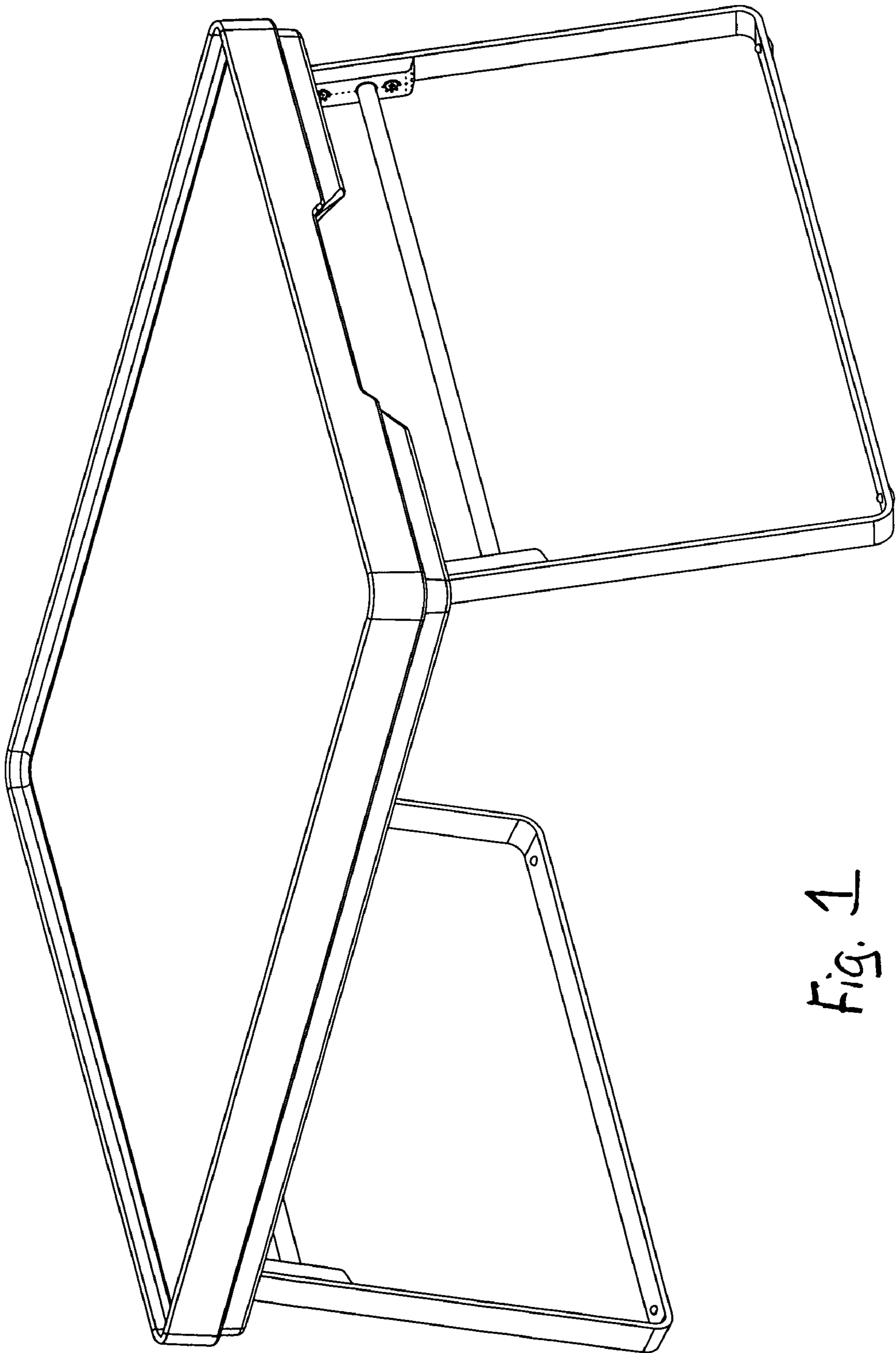


Fig. 1

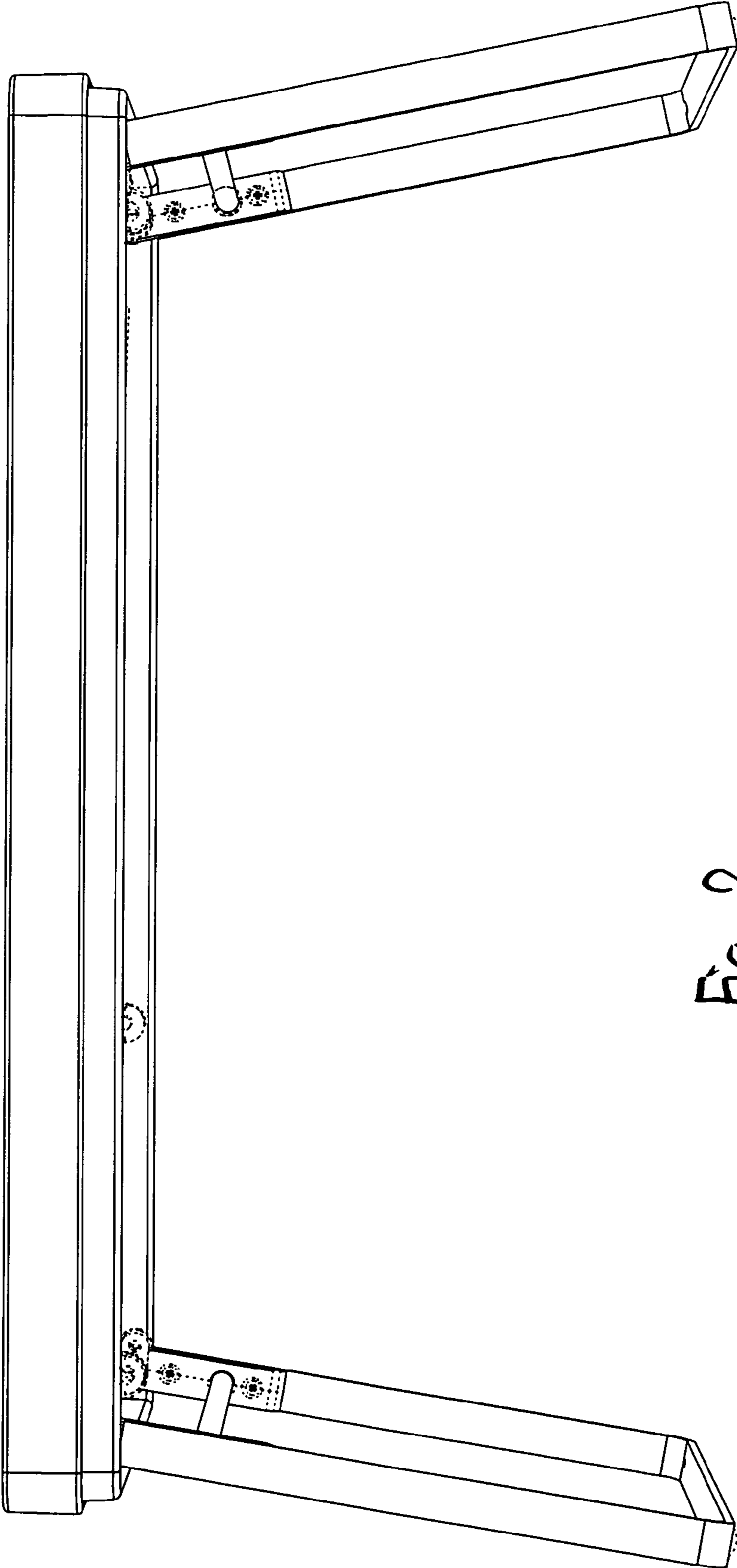


Fig. 2

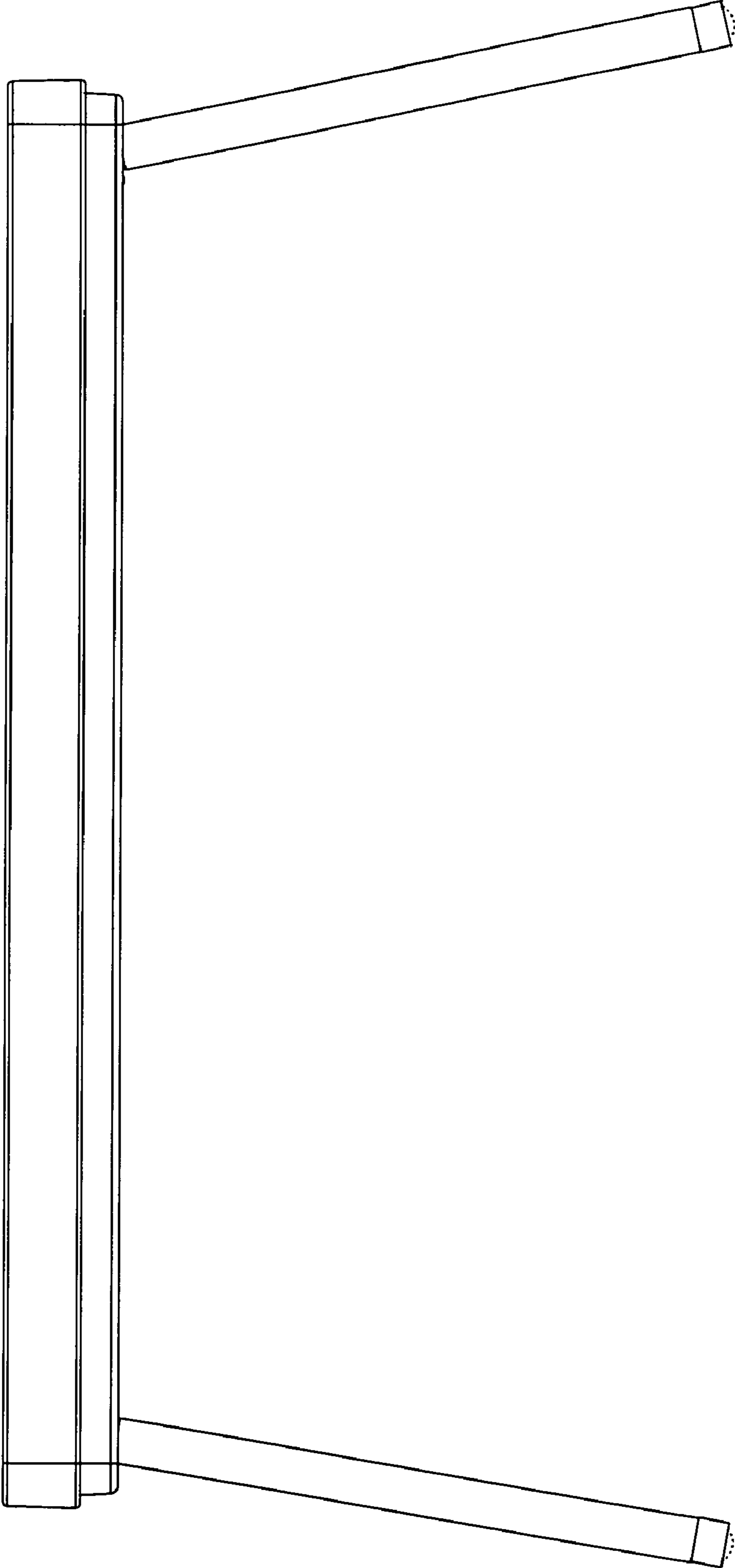


Fig. 3

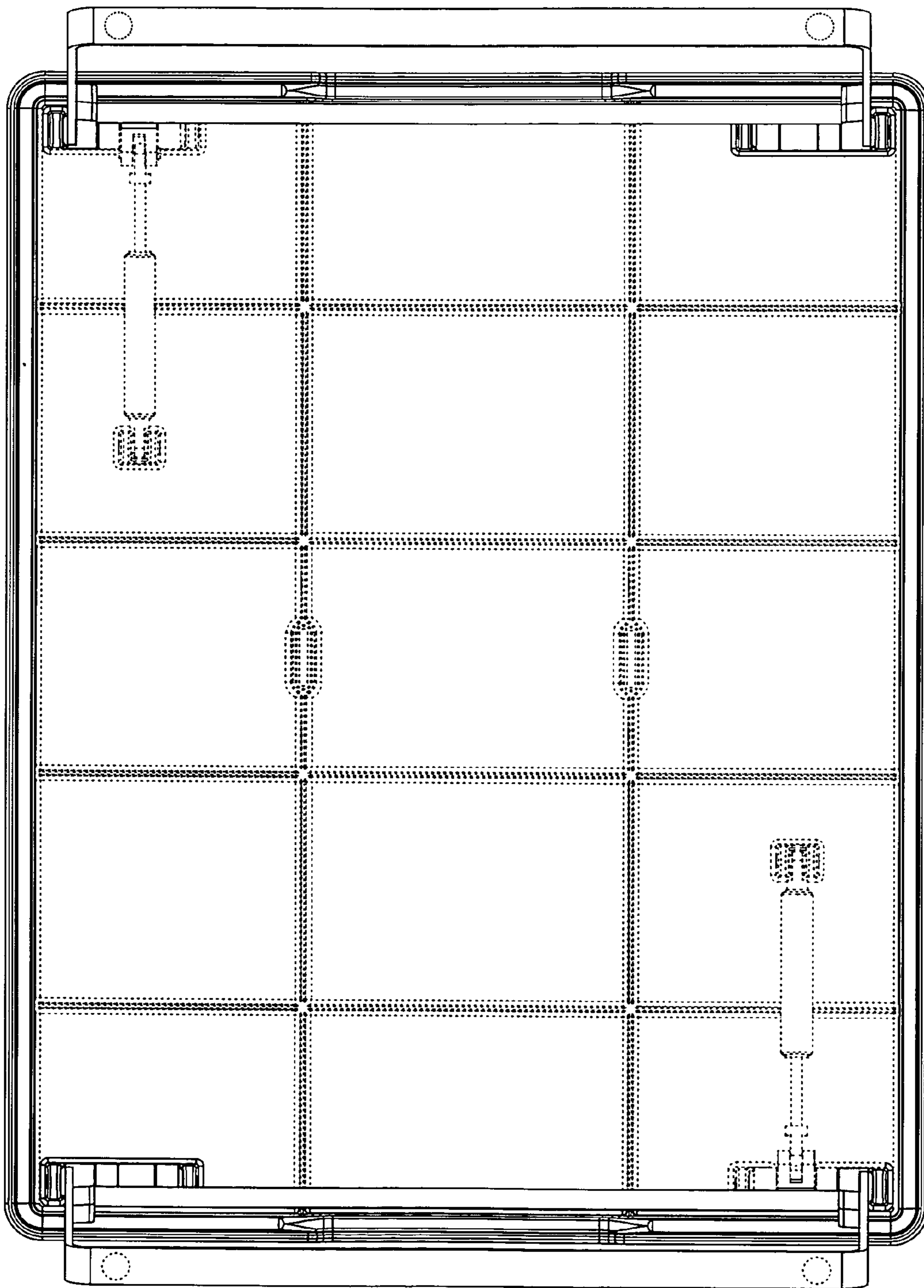


Fig. 4

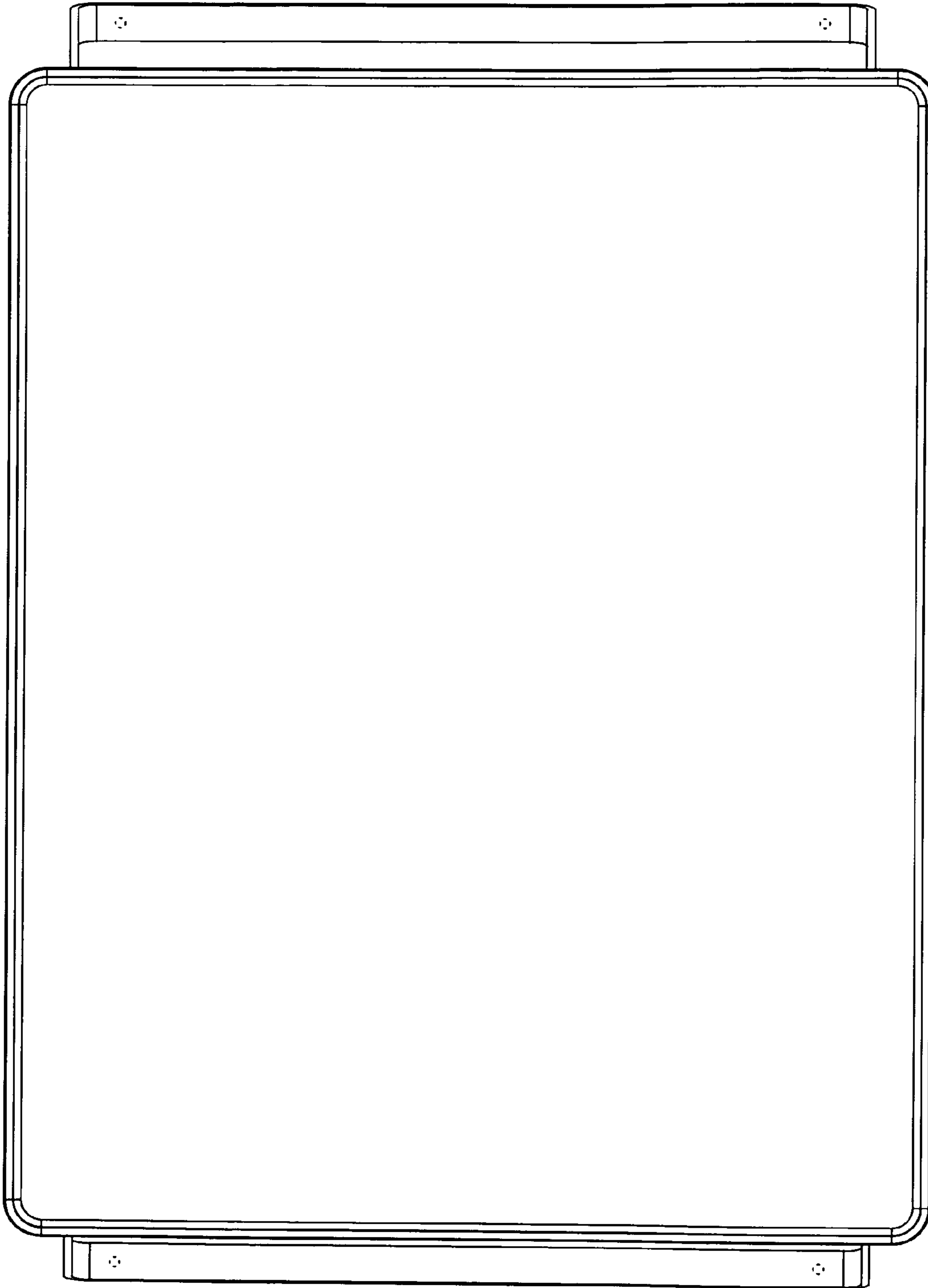


Fig. 5

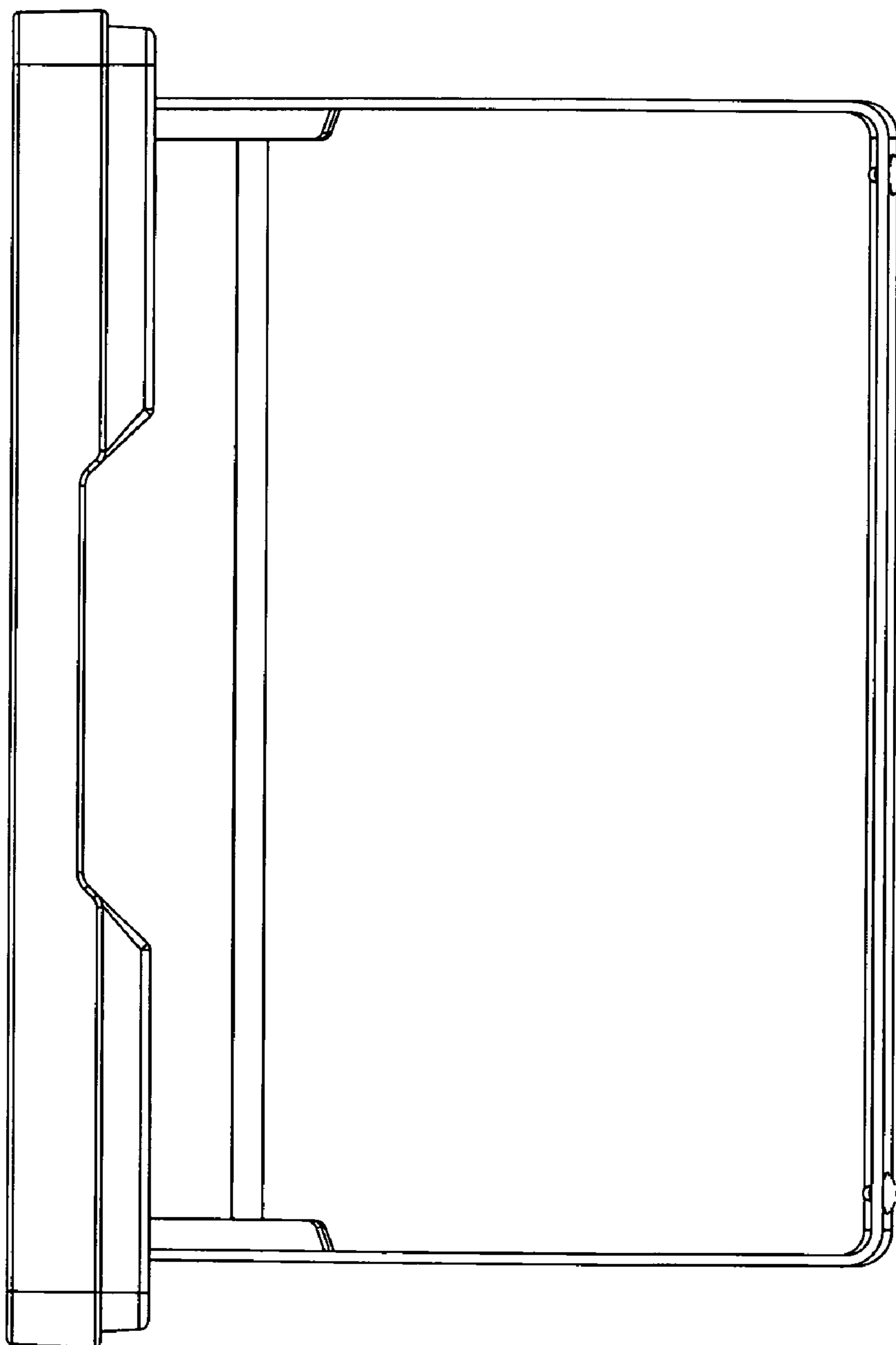


Fig. 6

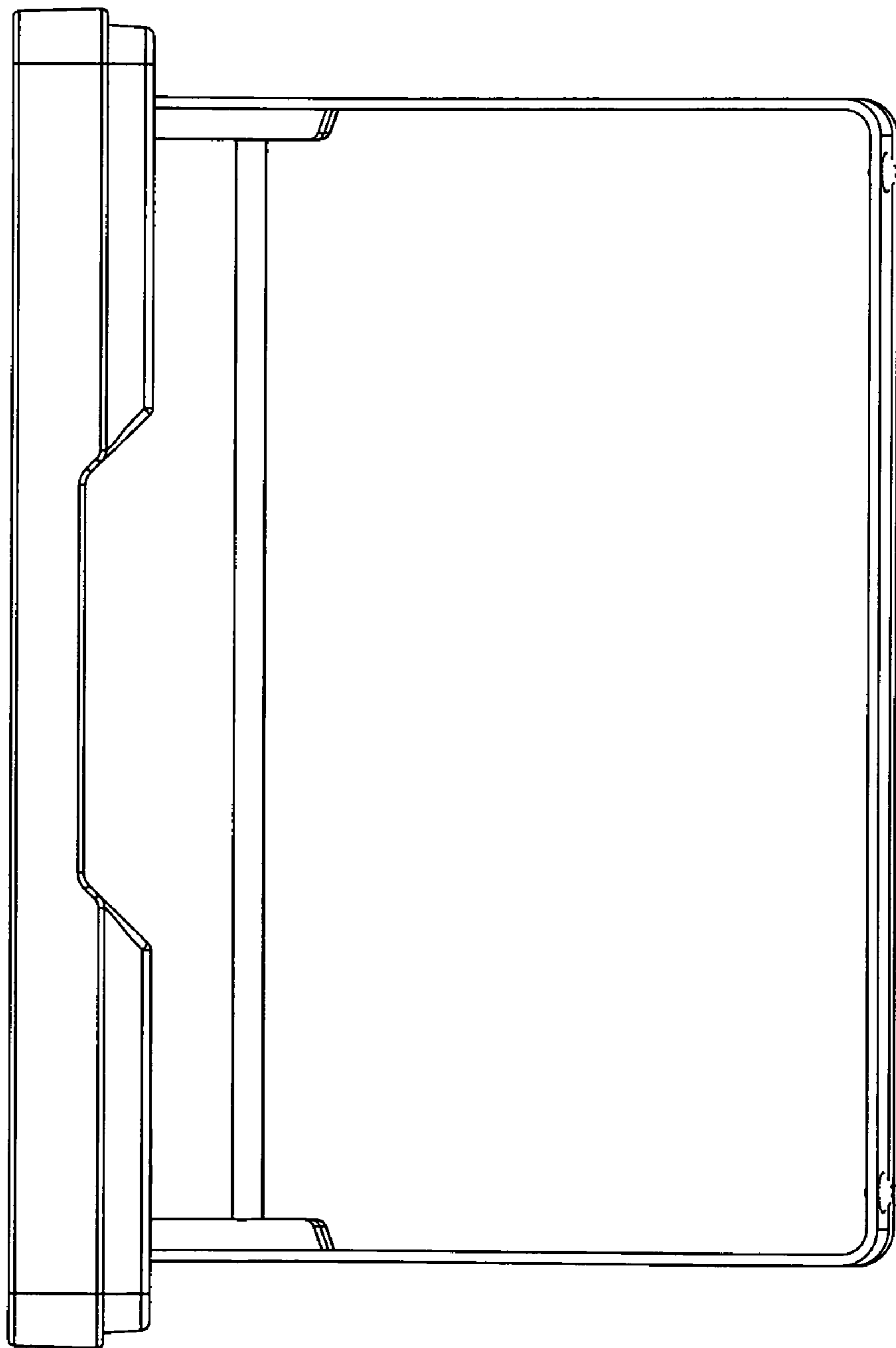


Fig. 7