



US00D619819S

(12) **United States Design Patent**  
**Boydak**

(10) **Patent No.:** **US D619,819 S**  
(45) **Date of Patent:** **\*\* Jul. 20, 2010**

(54) **SOFA** D586,131 S \* 2/2009 Cramer et al. .... D6/334

(75) Inventor: **Sami Boydak**, Melikgazi-Kayseri (TR) \* cited by examiner

(73) Assignee: **Merkez Çelik Sanayi ve Ticaret Anonim Sirketi**, Kayseri (TR) *Primary Examiner*—Sandra Snapp  
(74) *Attorney, Agent, or Firm*—Egbert Law Offices PLLC

(\*\*) Term: **14 Years**

(57) **CLAIM**

(21) Appl. No.: **29/339,386**

The ornamental design for a sofa, as shown and described.

(22) Filed: **Jun. 29, 2009**

**DESCRIPTION**

(51) **LOC (9) Cl.** ..... **06-01**

FIG. 1 is an upper perspective view of the sofa showing my new design in an upright position and with the pillows in a first position;

(52) **U.S. Cl.** ..... **D6/381**

FIG. 2 is a front elevation view thereof, with the pillows shown in an alternate position;

(58) **Field of Classification Search** ..... D6/334,  
D6/349, 355, 359, 369, 370, 371, 381–383,  
D6/491, 492, 500–503; 297/94, 181, 233,  
297/234, 235, 283.2, 311, 351, 353, 354.1,  
297/354.12, 354.13, 445.1, 451.1, 451.8,  
297/451.9; 5/12.1, 12.2

FIG. 3 is a back elevation view thereof;

See application file for complete search history.

FIG. 4 is a side elevation view thereof, an opposite side view being a mirror image thereof;

FIG. 5 is a top plan view thereof; and,

(56) **References Cited**

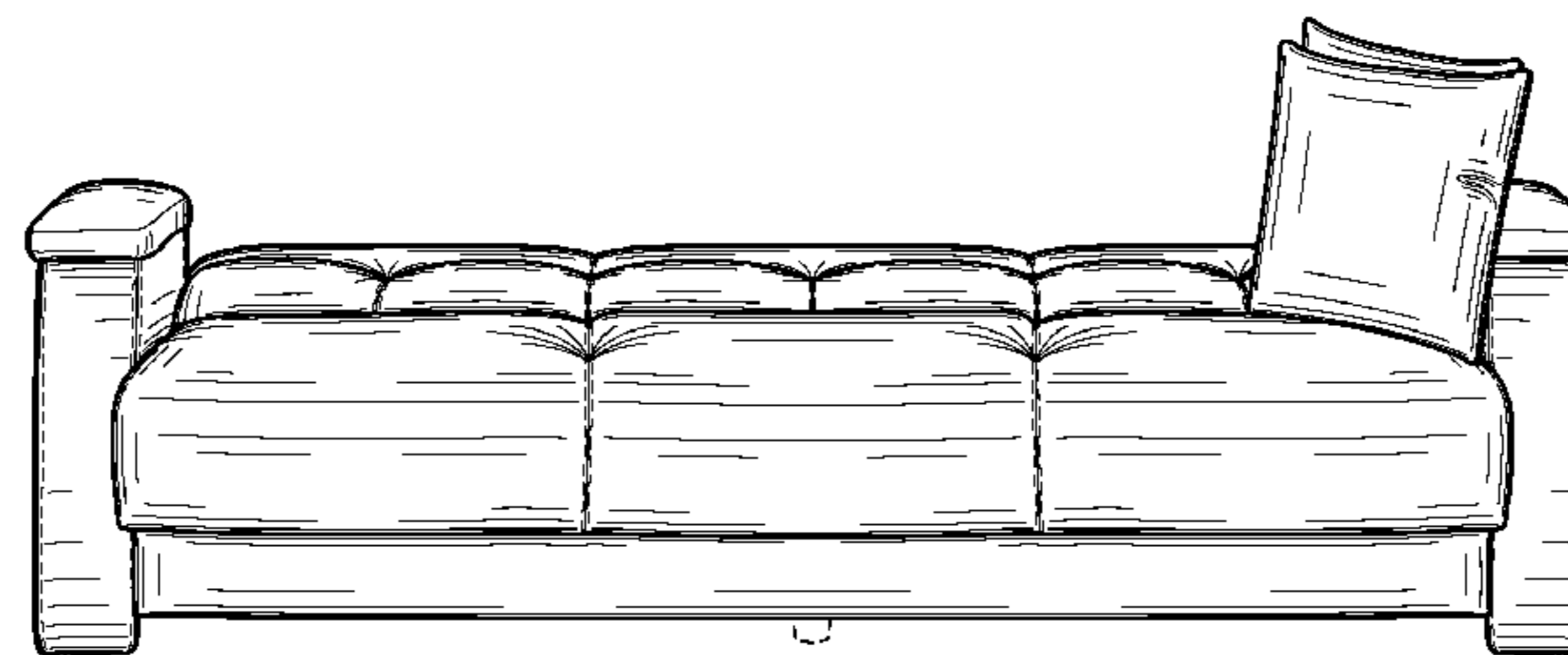
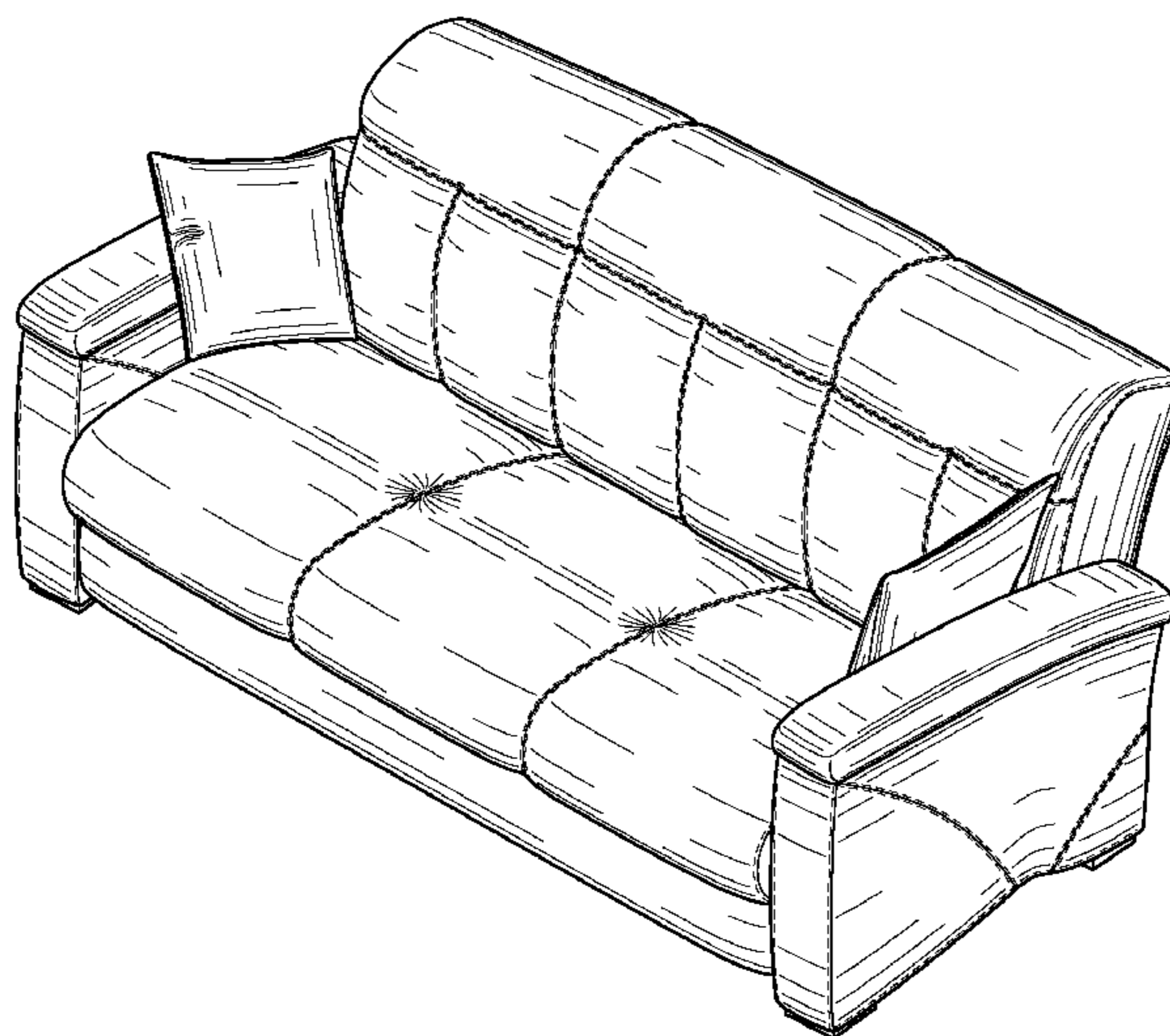
FIG. 6 is a front perspective view thereof, showing the sofa in a fully reclined position and the pillows shown in yet another alternate position.

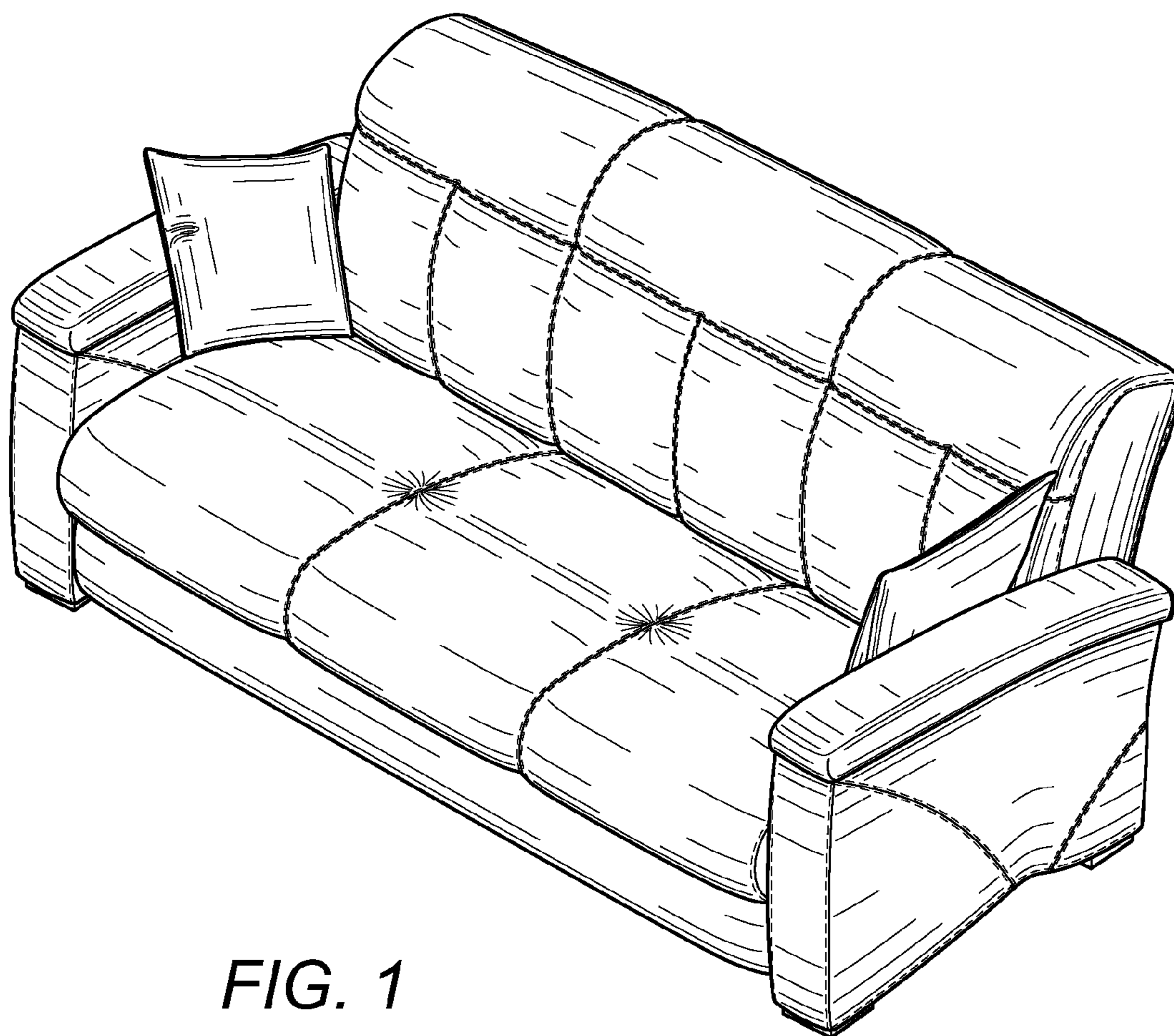
**U.S. PATENT DOCUMENTS**

- D451,688 S \* 12/2001 Cramer ..... D6/334
- D486,652 S \* 2/2004 Nemeth ..... D6/334
- D491,756 S \* 6/2004 Nemeth ..... D6/492
- D506,323 S \* 6/2005 White, III ..... D6/334
- D550,972 S \* 9/2007 Caywood ..... D6/334
- D578,782 S \* 10/2008 Cramer et al. .... D6/334
- D580,664 S \* 11/2008 Cramer et al. .... D6/334

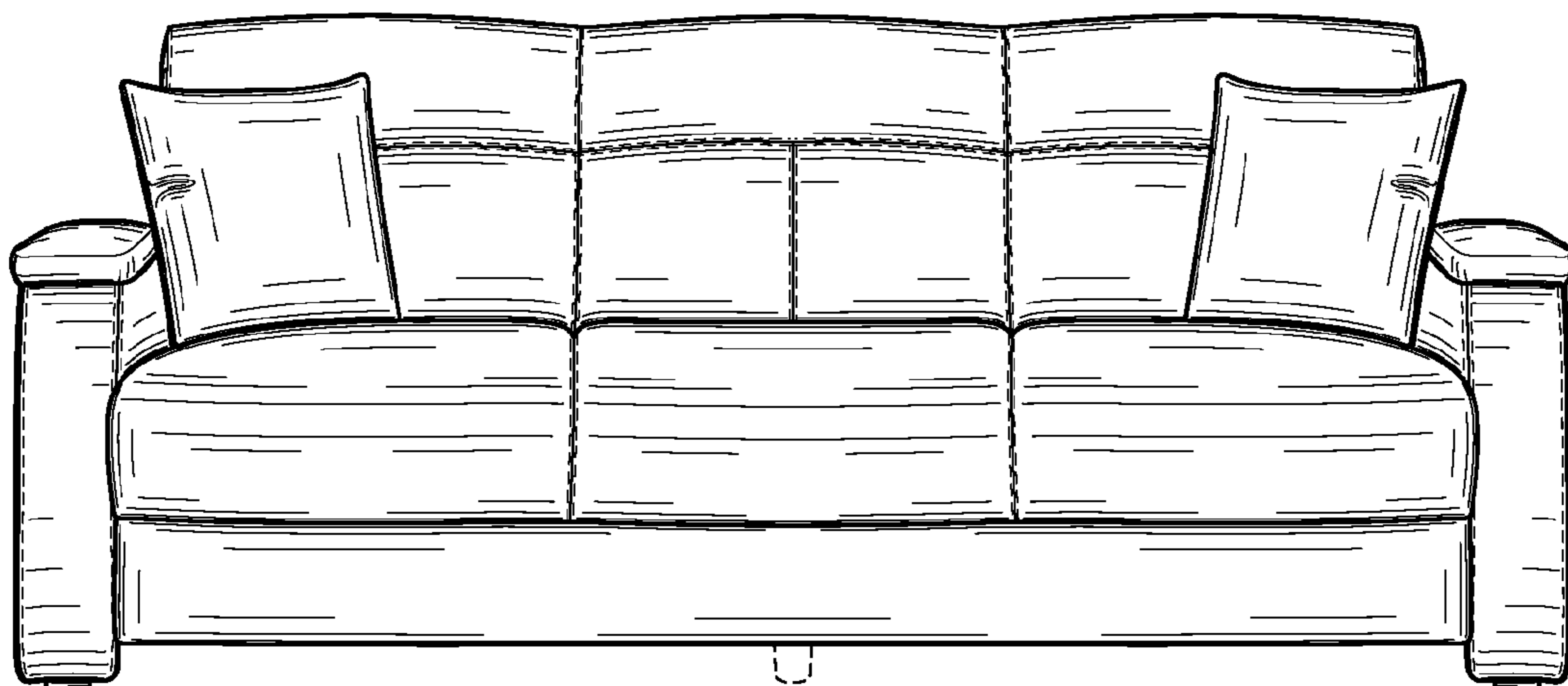
The broken lines shown on the sofa are understood to represent stitching. The dotted line feet elements shown in the drawings are for illustrative purposes only and form no part of the claimed design.

**1 Claim, 3 Drawing Sheets**

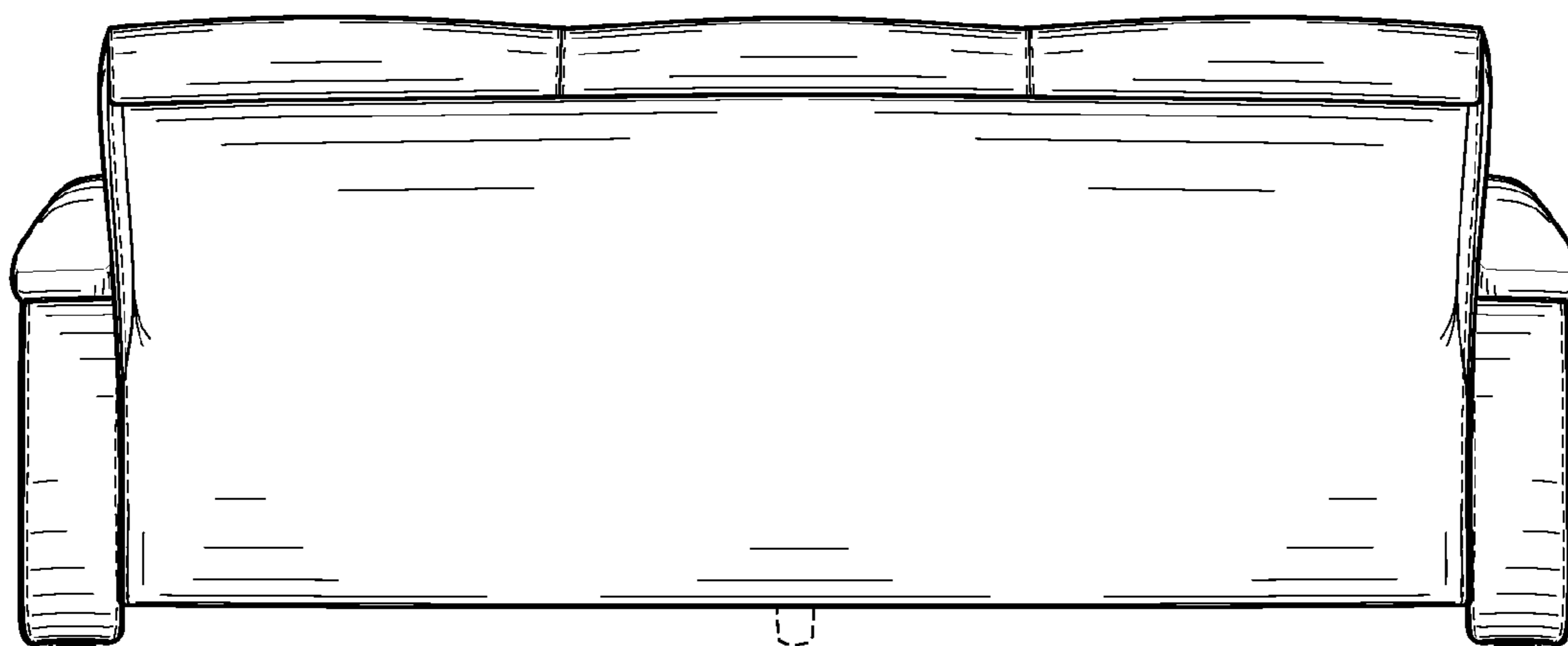




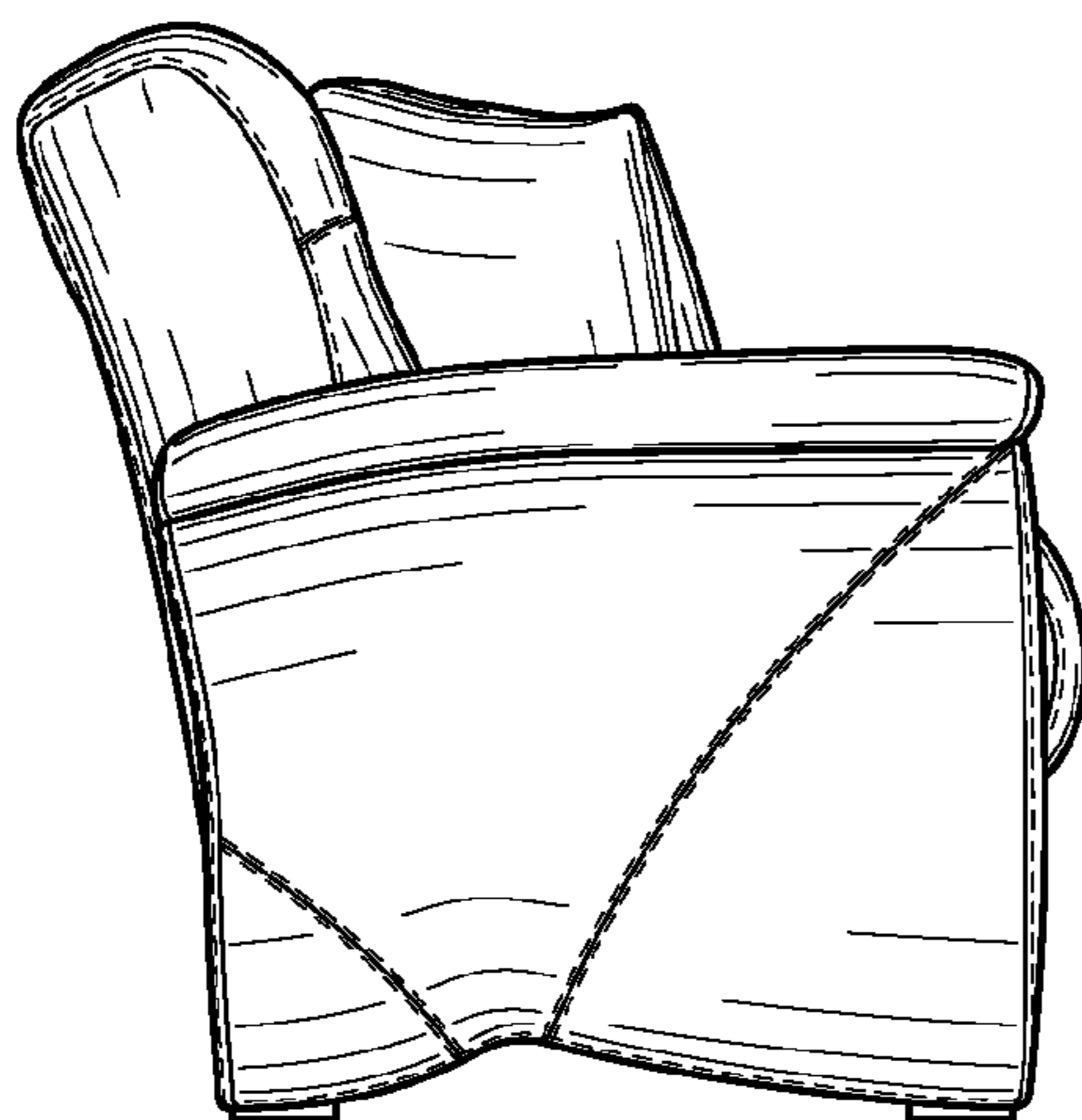
*FIG. 1*



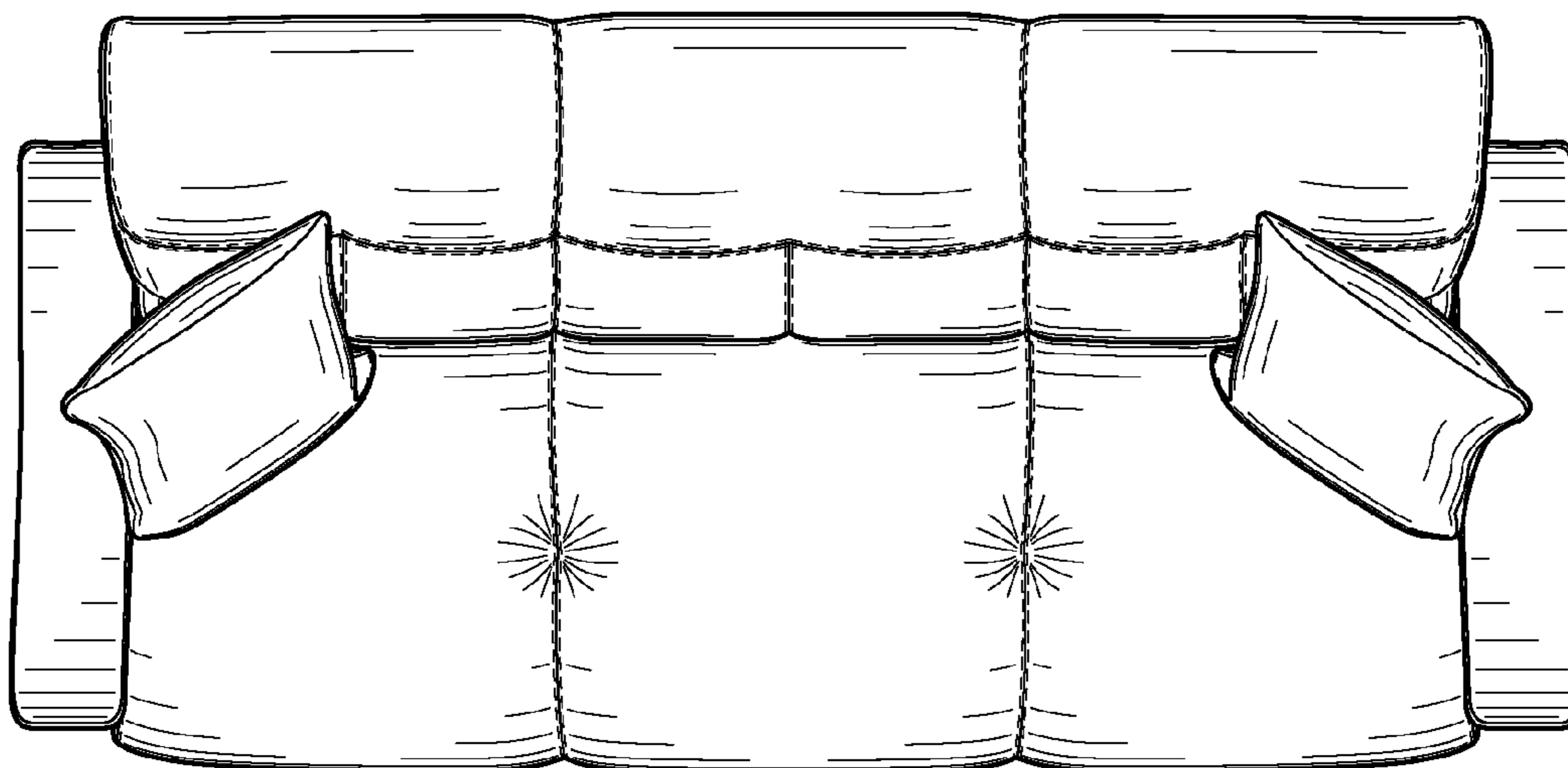
*FIG. 2*



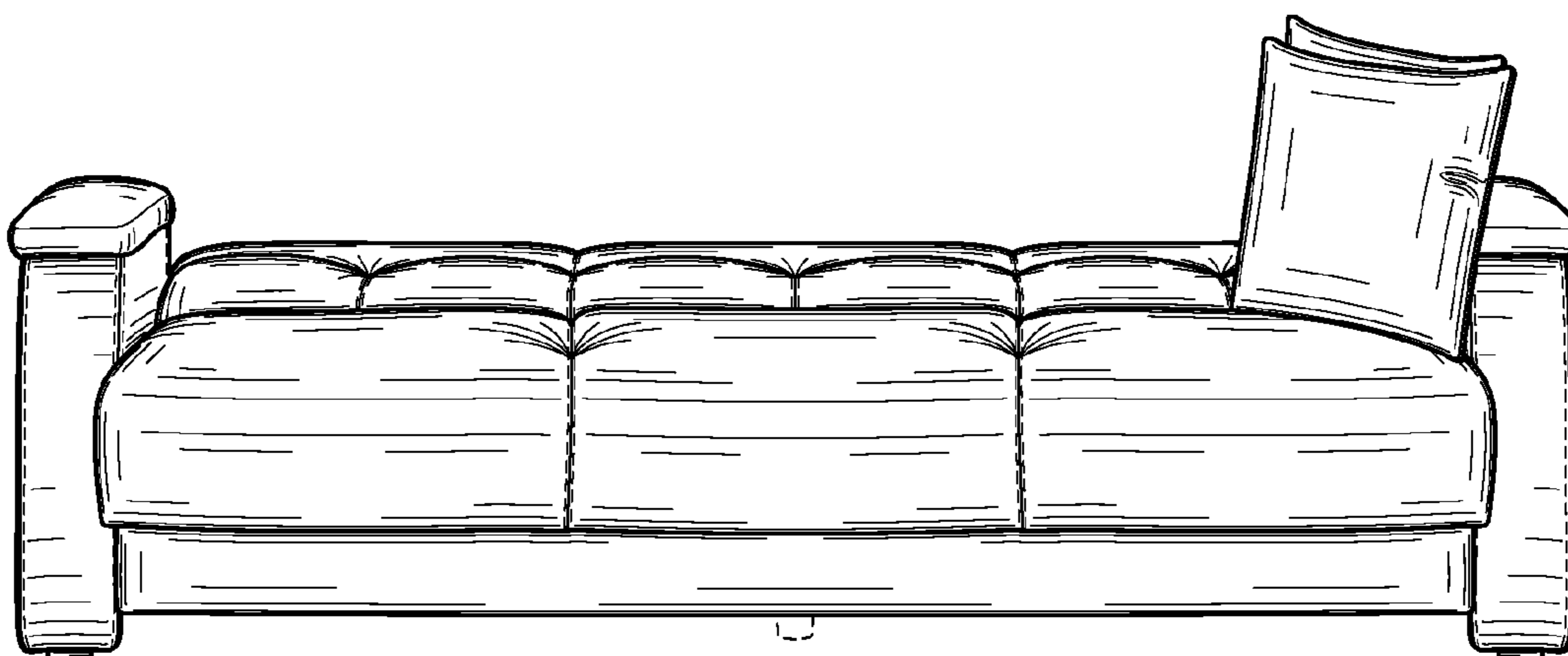
*FIG. 3*



*FIG. 4*



*FIG. 5*



*FIG. 6*