



US00D619817S

(12) **United States Design Patent**
Gower et al.

(10) **Patent No.:** **US D619,817 S**
(45) **Date of Patent:** **** Jul. 20, 2010**

(54) **HIGH CHAIR**

(75) Inventors: **Campbell Gower**, Wellington (NZ);
Sung Min Shin, Wellington (NZ)

(73) Assignee: **Phil and Teds Most Excellent Buggy**
Company Limited, Newtown,
Wellington (NZ)

(**) Term: **14 Years**

(21) Appl. No.: **29/324,127**

(22) Filed: **Sep. 5, 2008**

(51) **LOC (9) Cl.** **06-01**

(52) **U.S. Cl.** **D6/339**

(58) **Field of Classification Search** D6/333,
D6/335, 339, 491, 500-502; D12/129; D21/412,
D21/419; 280/30, 31; 5/94, 98.1, 99.1, 101,
5/102, 105, 655; 297/183.1, 183.2, 183.3,
297/183.4, 184.13, 184.15, 184.17, 250.1,
297/255, 256.1, 256.15, 256.16, 174; 24/200,
24/211

See application file for complete search history.

(56) **References Cited**

U.S. PATENT DOCUMENTS

4,723,813	A	*	2/1988	Kasai	297/153
D337,665	S	*	7/1993	Tsuchiya	D6/339
D341,109	S	*	11/1993	Chuang	D12/130
D344,640	S	*	3/1994	Chuang	D6/339
D361,672	S	*	8/1995	Mariol et al.	D6/339
D362,554	S	*	9/1995	Grundner	D6/339
5,468,043	A	*	11/1995	Chien	297/153
5,468,051	A	*	11/1995	Huang	297/344.18
D365,449	S	*	12/1995	Wood	D6/333
D368,593	S	*	4/1996	Cone, II	D6/339

D373,029	S	*	8/1996	Mariol et al.	D6/339
D426,965	S	*	6/2000	Wu	D6/339
D428,715	S	*	8/2000	Brevi	D6/339
D454,007	S	*	3/2002	Huang	D6/339
D461,062	S	*	8/2002	Wu	D6/344
6,692,070	B1	*	2/2004	Hou et al.	297/153
D575,538	S	*	8/2008	Tomasi	D6/339
D590,159	S	*	4/2009	Lin	D6/339
D594,667	S	*	6/2009	Wang	D6/339
D600,927	S	*	9/2009	Lake et al.	D6/339
D601,818	S	*	10/2009	Lake et al.	D6/339

* cited by examiner

Primary Examiner—Sandra Snapp

(74) *Attorney, Agent, or Firm*—Blakely, Sokoloff, Taylor & Zafman LLP

(57) **CLAIM**

The ornamental design for a high chair, as shown and described.

DESCRIPTION

FIG. 1 is a perspective view of a high chair showing our new design.

FIG. 2 is a front view thereof.

FIG. 3 is a side view thereof.

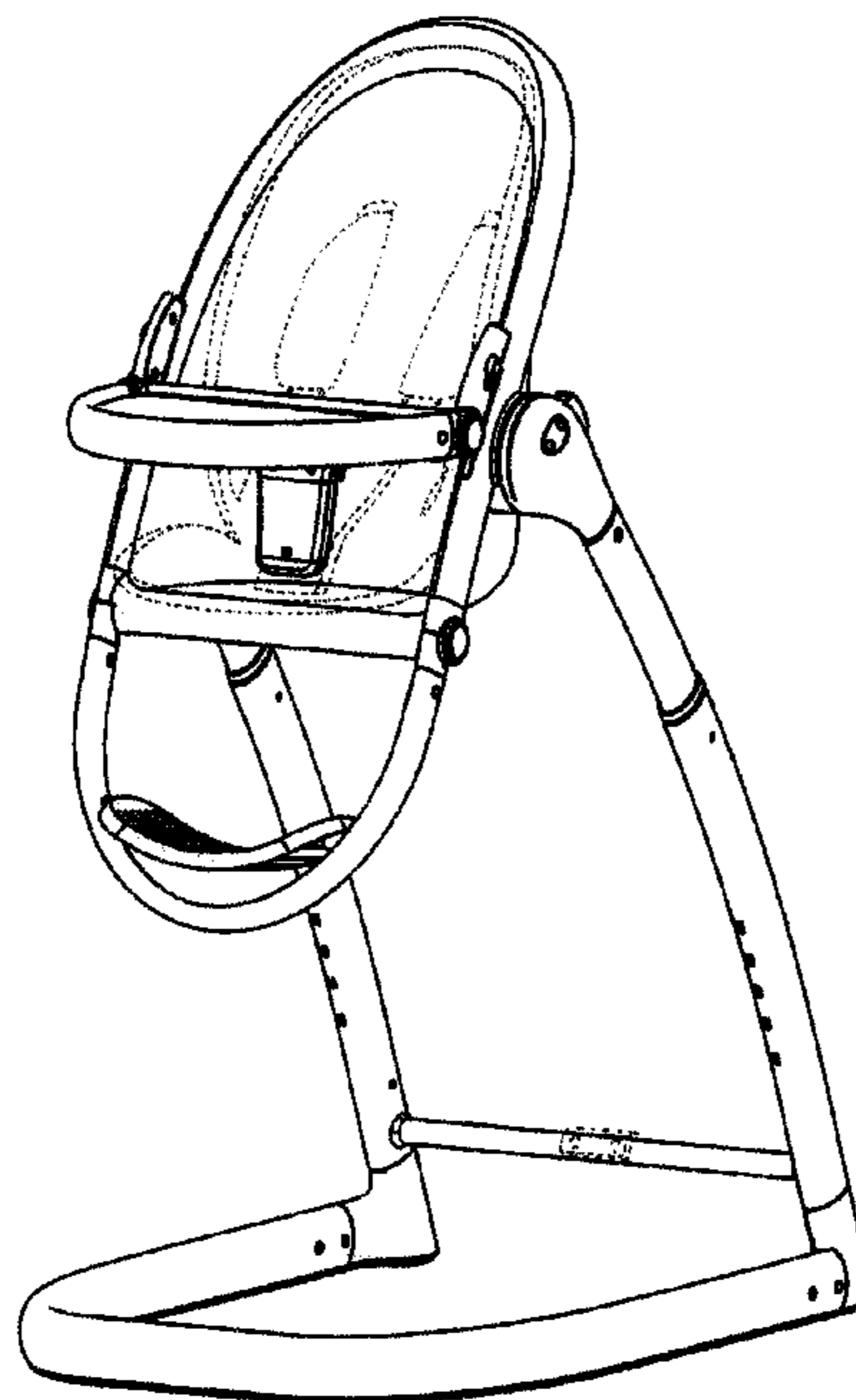
FIG. 4 is the other side view thereof.

FIG. 5 is a top view thereof; and,

FIG. 6 is a rear view thereof.

The broken line shown in the drawings of the shape and configuration of the padding, harness, harness slots, handle and foot brace are for illustrative purposes only and form not part of the claimed invention.

1 Claim, 6 Drawing Sheets



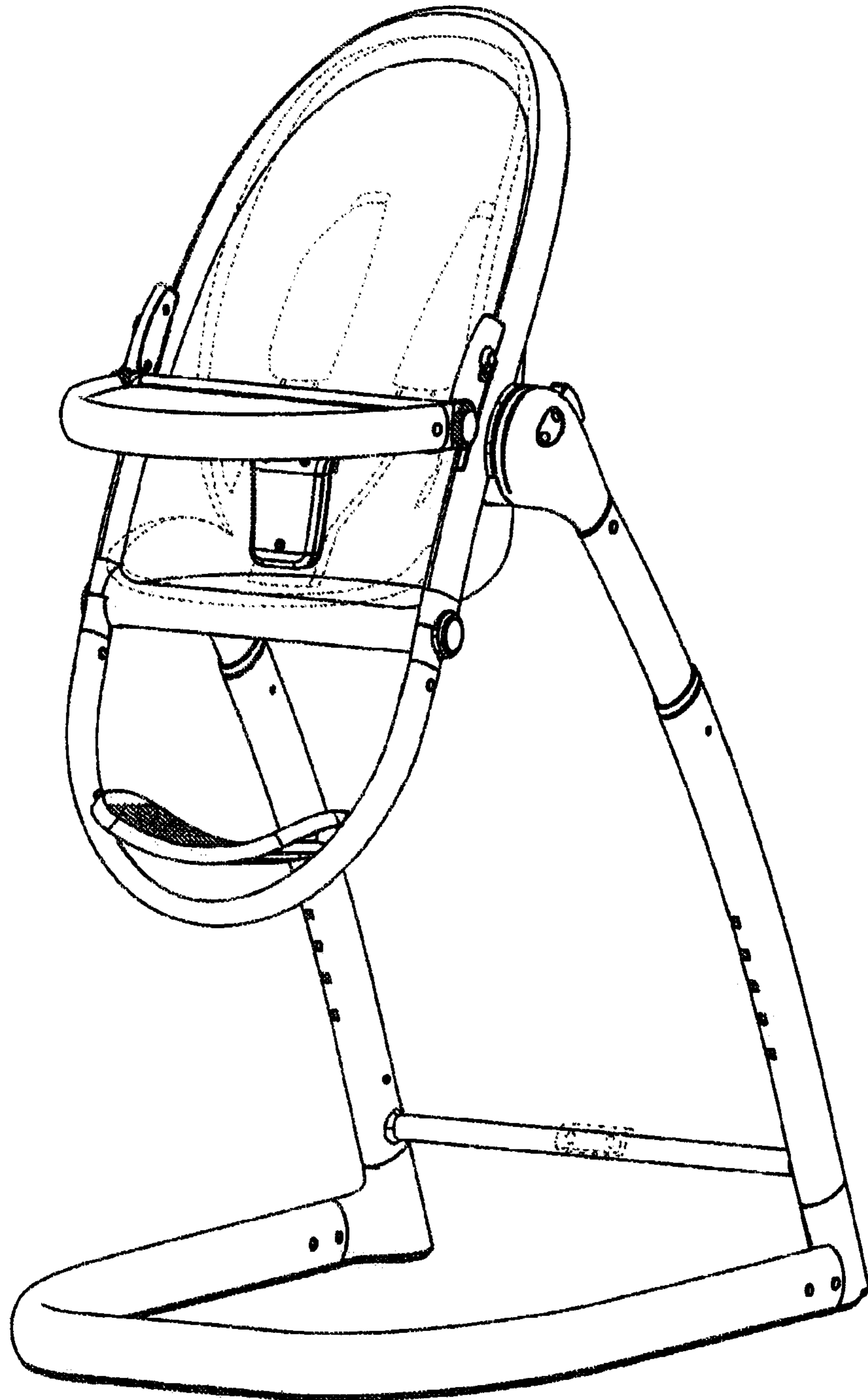


FIG. 1

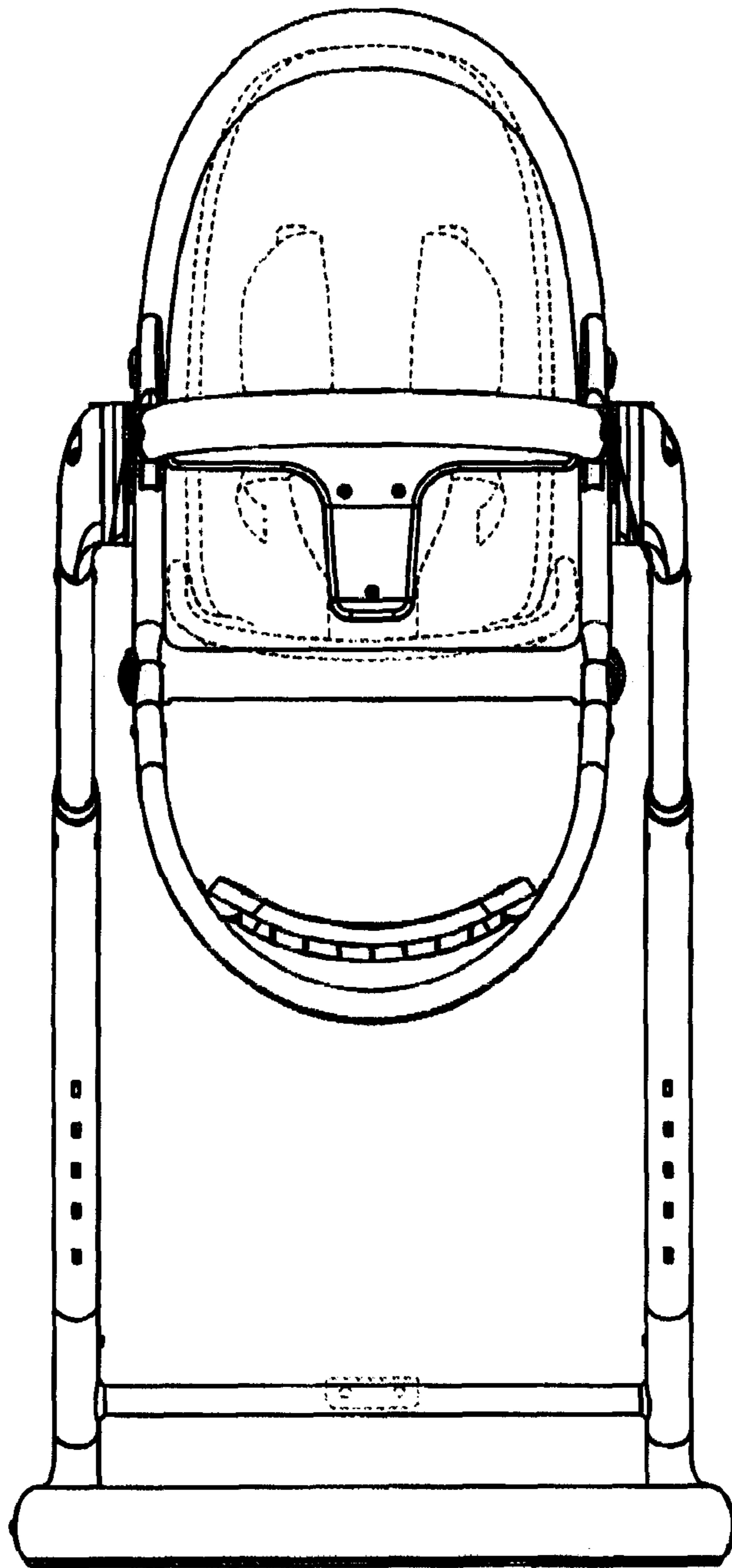


FIG. 2

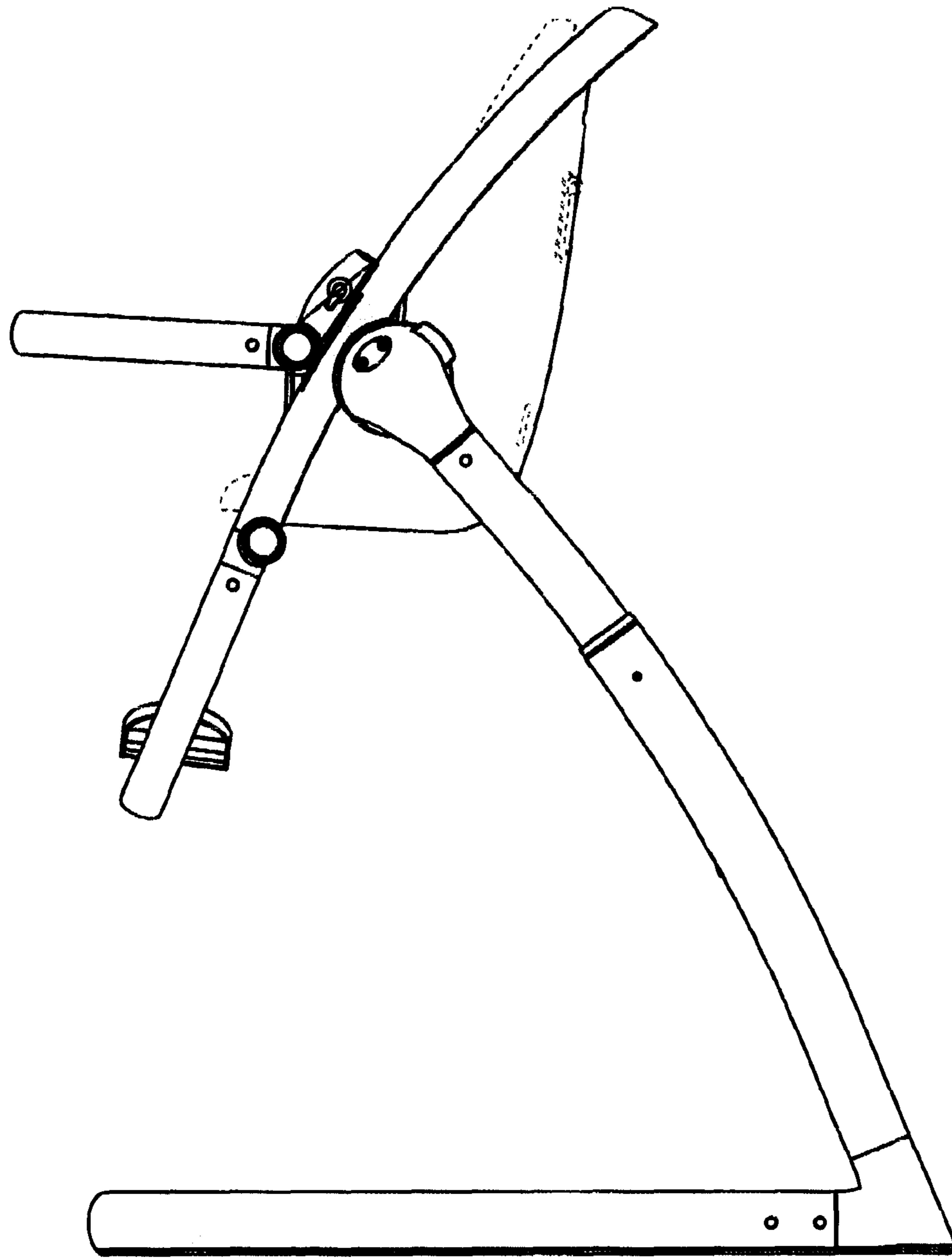


FIG. 3

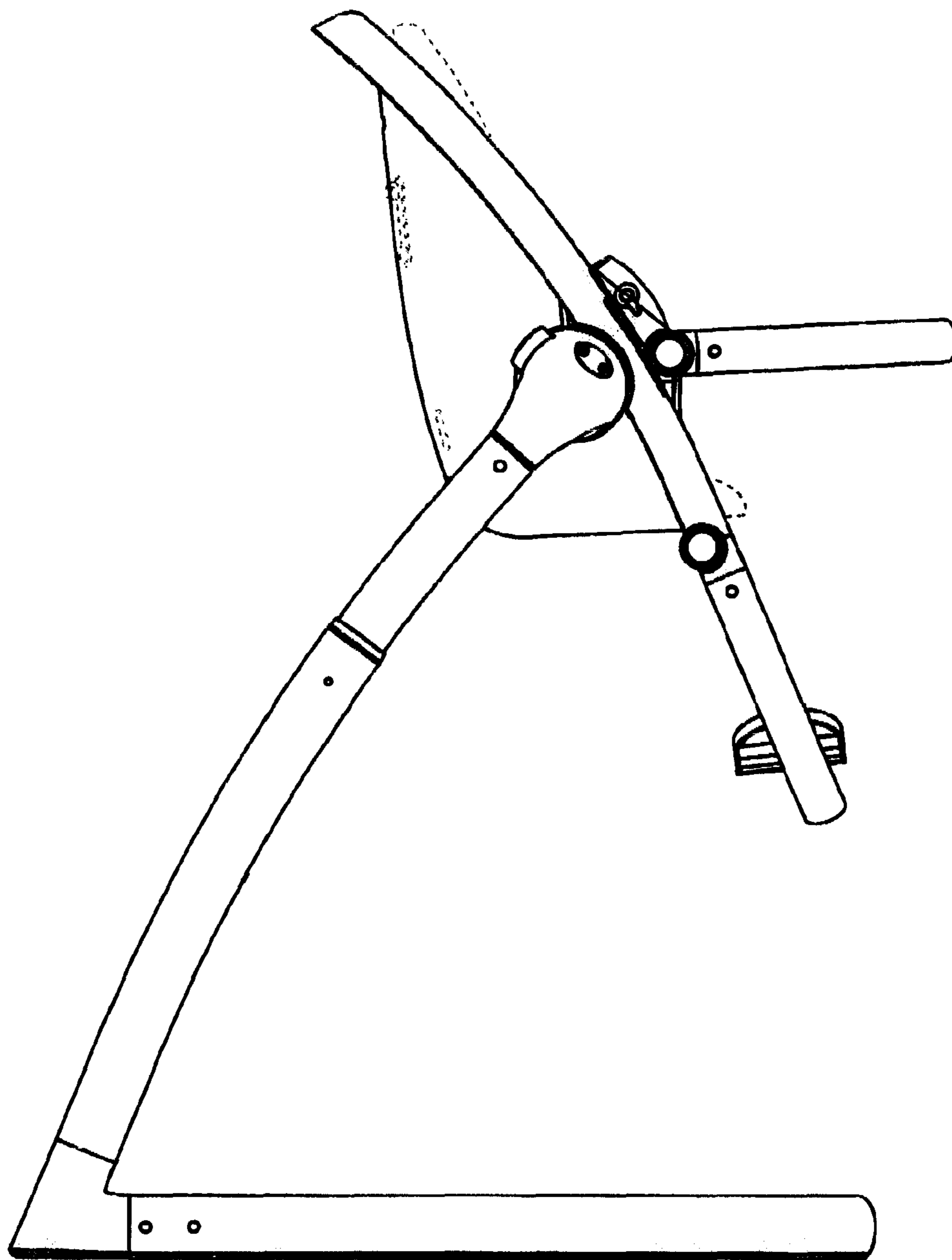


FIG. 4

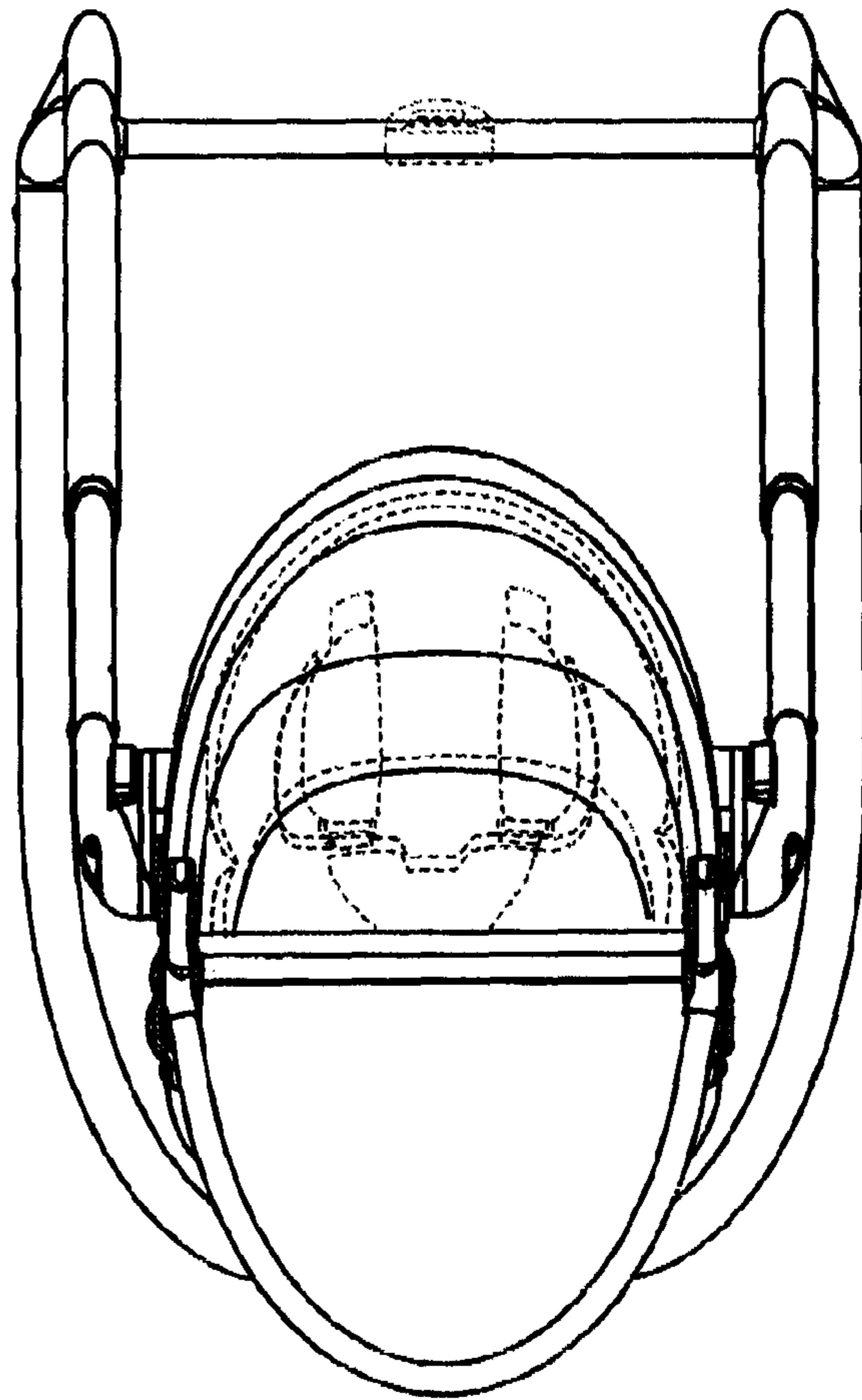


FIG. 5

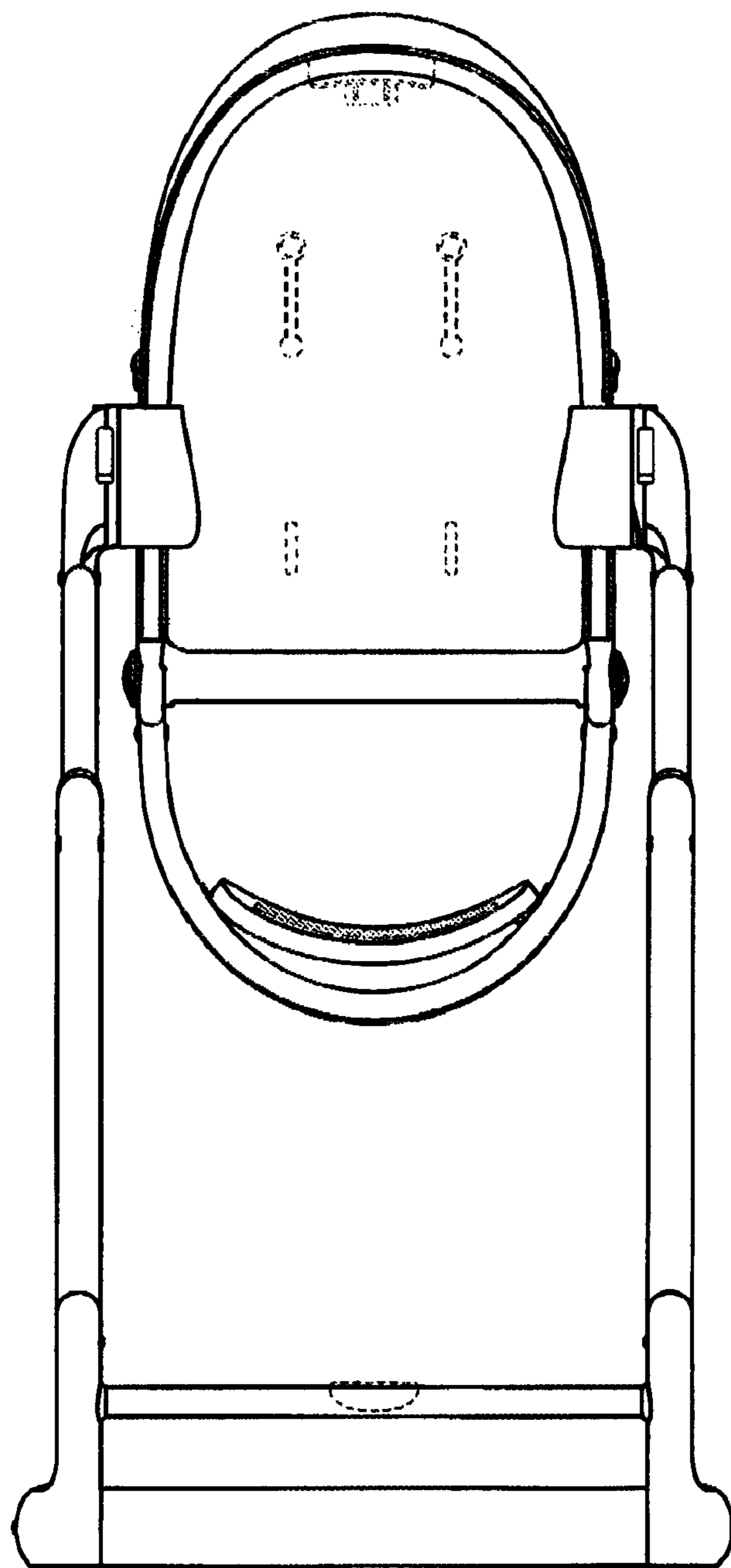


FIG. 6