



US00D619816S

(12) **United States Design Patent**  
**Chen**

(10) **Patent No.:** **US D619,816 S**  
(45) **Date of Patent:** **\*\* Jul. 20, 2010**

(54) **BABY CRIB**

(75) Inventor: **Xu-Hui Chen**, Taipei (TW)

(73) Assignee: **Wonderland Nurserygoods Hong Kong Co., Ltd.**, Hong Kong (CN)

(\*\*) Term: **14 Years**

(21) Appl. No.: **29/346,681**

(22) Filed: **Nov. 4, 2009**

(30) **Foreign Application Priority Data**

Aug. 19, 2009 (CN) ..... 2009 3 0207249

(51) **LOC (9) Cl.** ..... **06-02**

(52) **U.S. Cl.** ..... **D6/331; D6/390**

(58) **Field of Classification Search** ..... D6/331,  
D6/390-391; 5/93.1, 99.1, 98.1, 101, 102  
See application file for complete search history.

(56) **References Cited**

**U.S. PATENT DOCUMENTS**

- D461,645 S \* 8/2002 Hartenstine et al. .... D6/331
- D462,532 S \* 9/2002 Hartenstine et al. .... D6/331
- D580,663 S \* 11/2008 Gentil ..... D6/331
- 7,543,342 B2 \* 6/2009 Zhao et al. .... 5/93.1
- 2006/0218725 A1 \* 10/2006 Carpenter et al. .... 5/93.1
- 2009/0056013 A1 \* 3/2009 Hartenstine et al. .... 5/93.1

- 2009/0113624 A1 \* 5/2009 Tuckey ..... 5/93.1
- 2009/0113625 A1 \* 5/2009 Hutchinson et al. .... 5/93.1

\* cited by examiner

*Primary Examiner*—Janice E Seeger

(74) *Attorney, Agent, or Firm*—Marger Johnson & McCollom, P.C.

(57) **CLAIM**

The ornamental design for baby crib, as shown and described.

**DESCRIPTION**

FIG. 1 is a perspective view of baby crib showing my new design;

FIG. 2 is a front elevational view thereof;

FIG. 3 is a rear elevational view thereof;

FIG. 4 is a left side elevational view thereof;

FIG. 5 is a right side elevational view thereof;

FIG. 6 is a top plan view thereof;

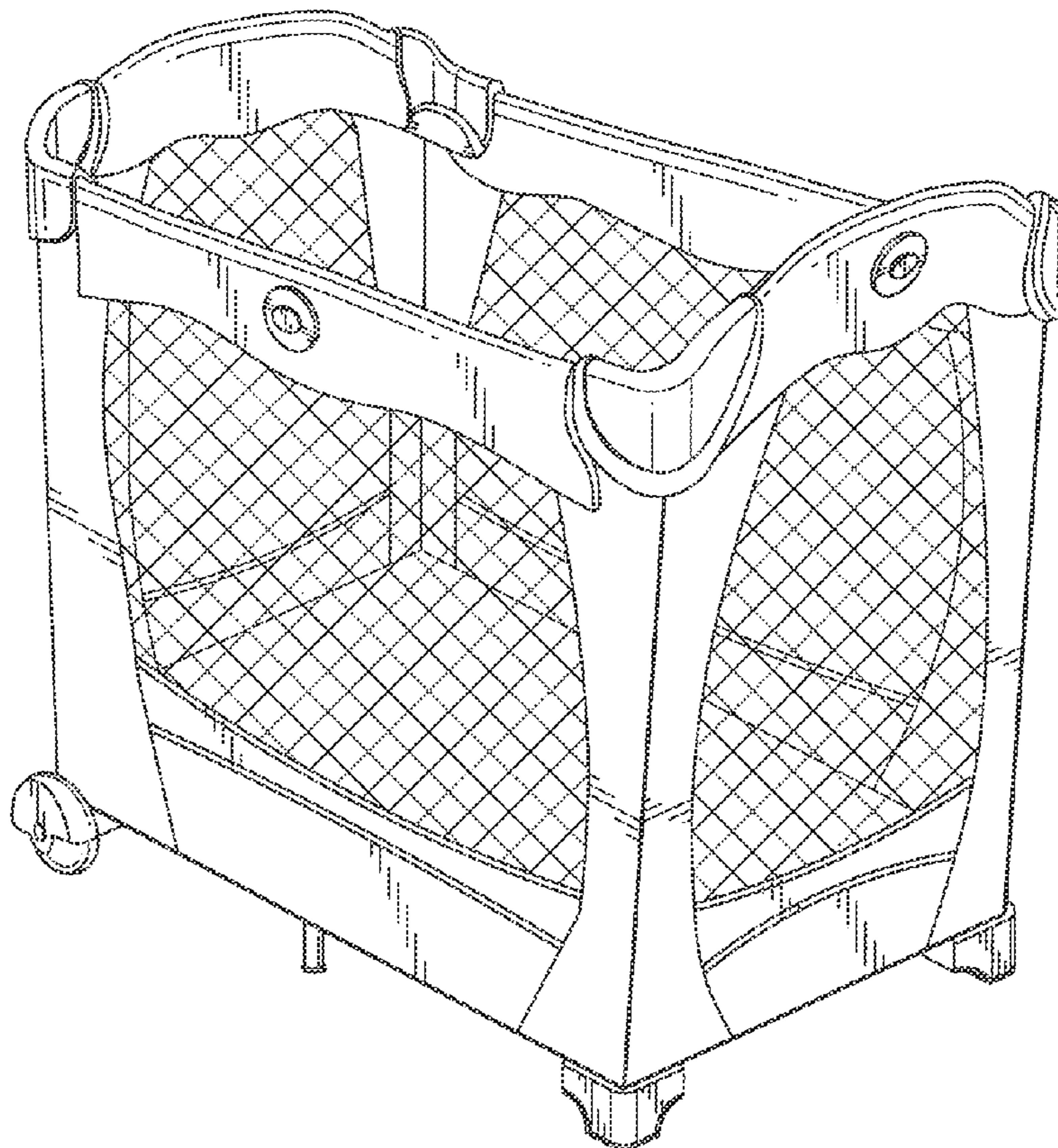
FIG. 7 is a bottom plan view thereof;

FIG. 8 is another perspective view thereof; and,

FIG. 9 is still another perspective view thereof.

The broken lines are for environmental purposes only and form no part of the claimed design.

**1 Claim, 6 Drawing Sheets**



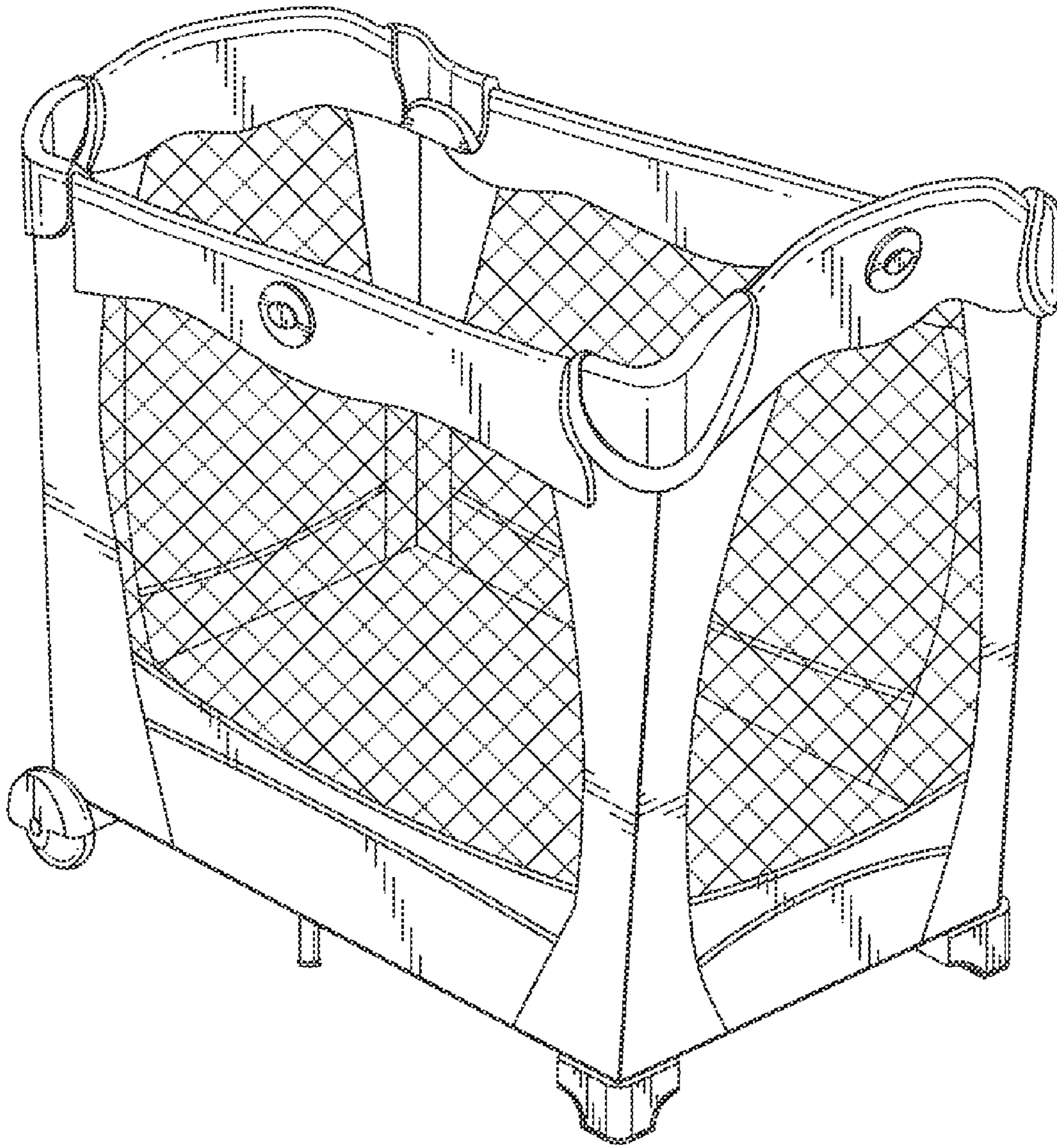


FIG. 1

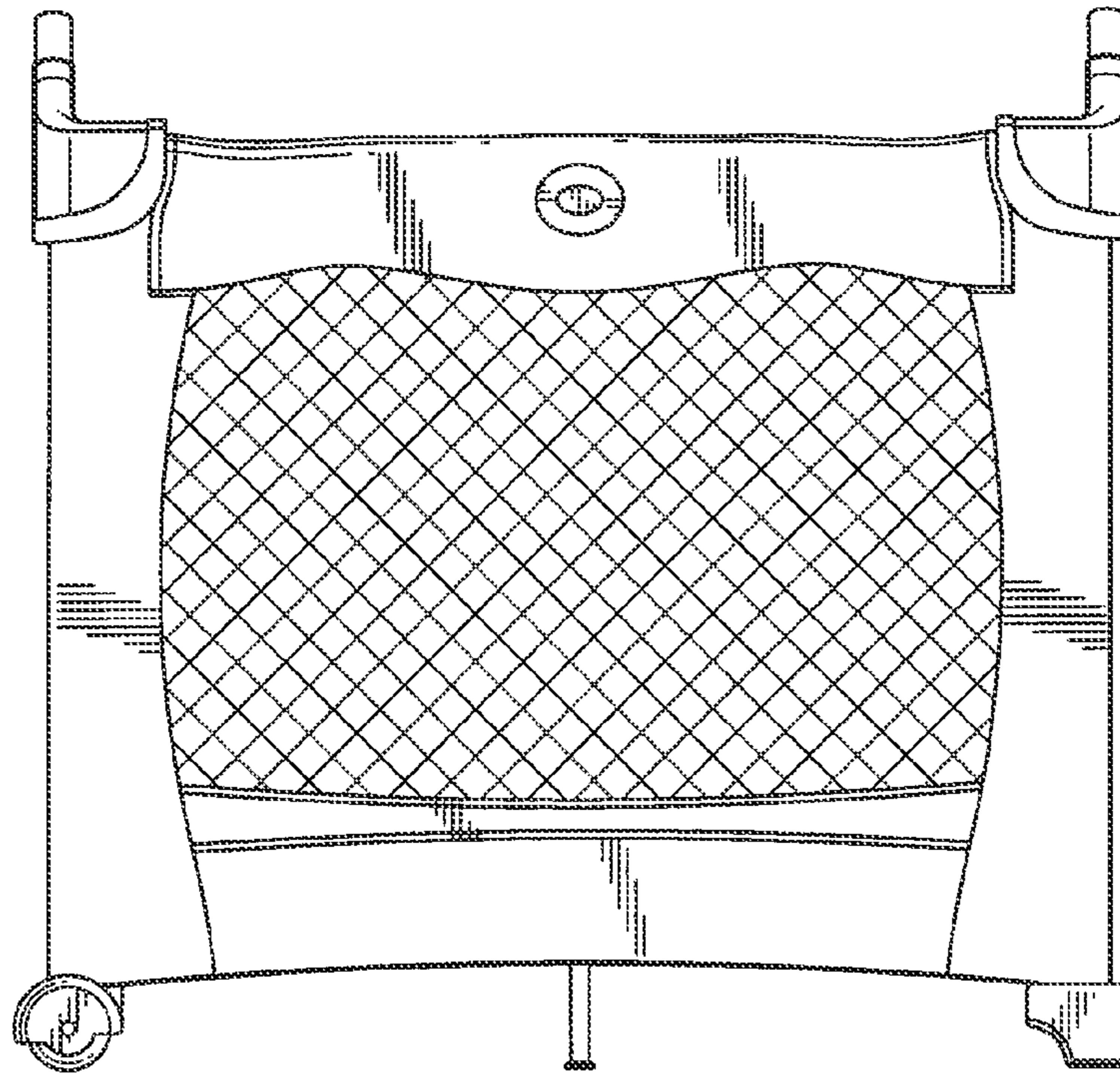


FIG. 2

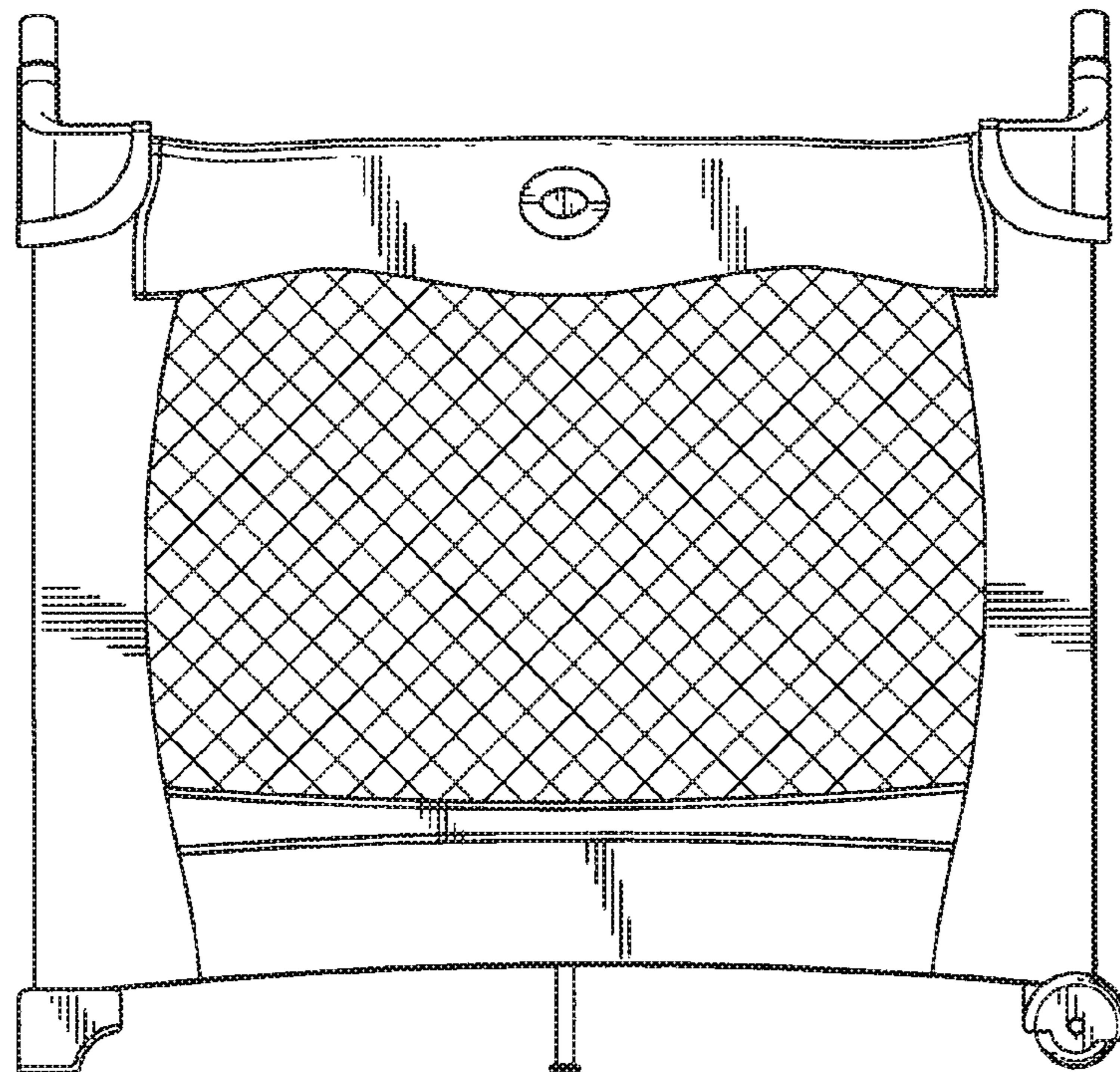


FIG. 3

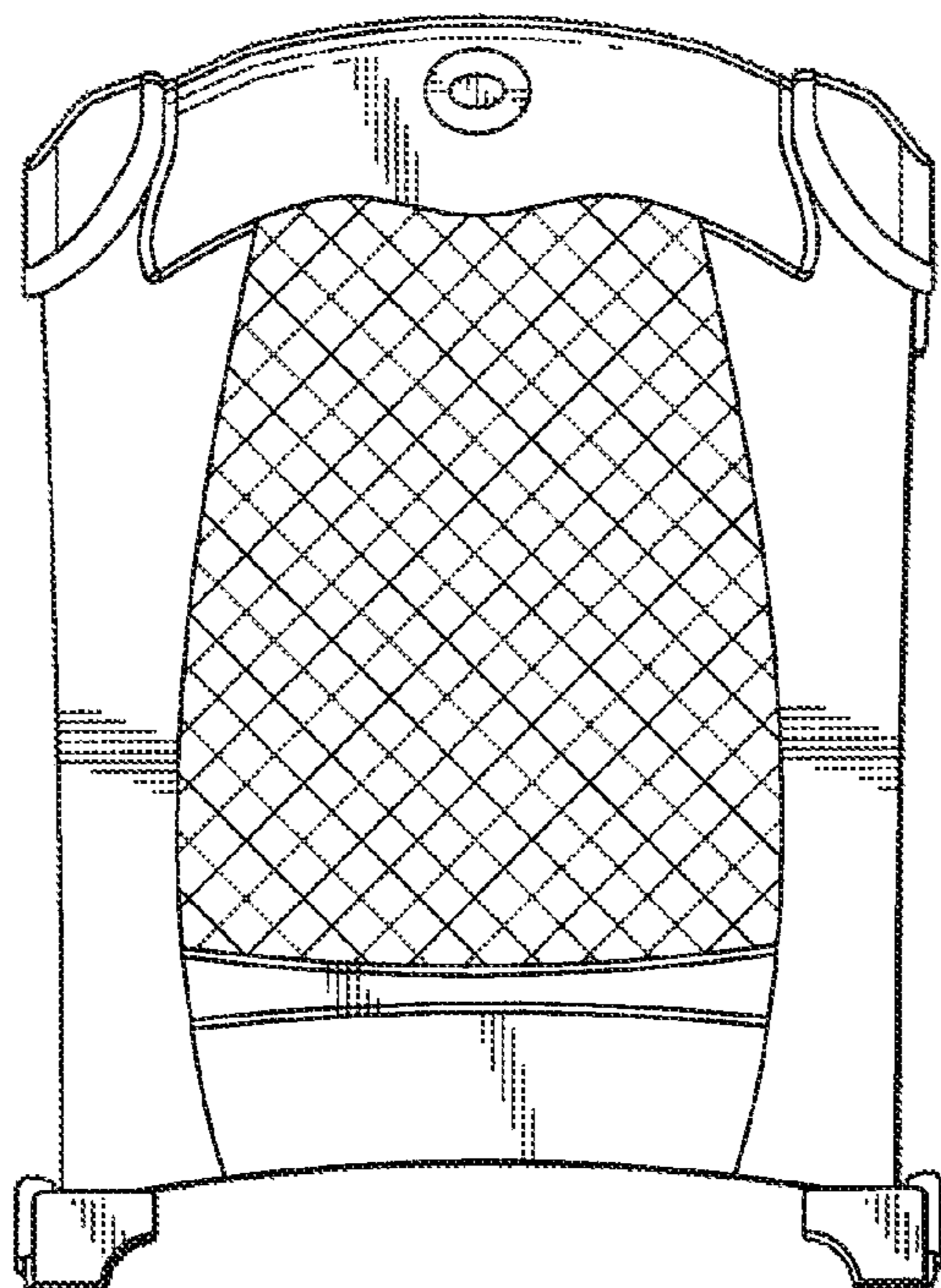


FIG. 4

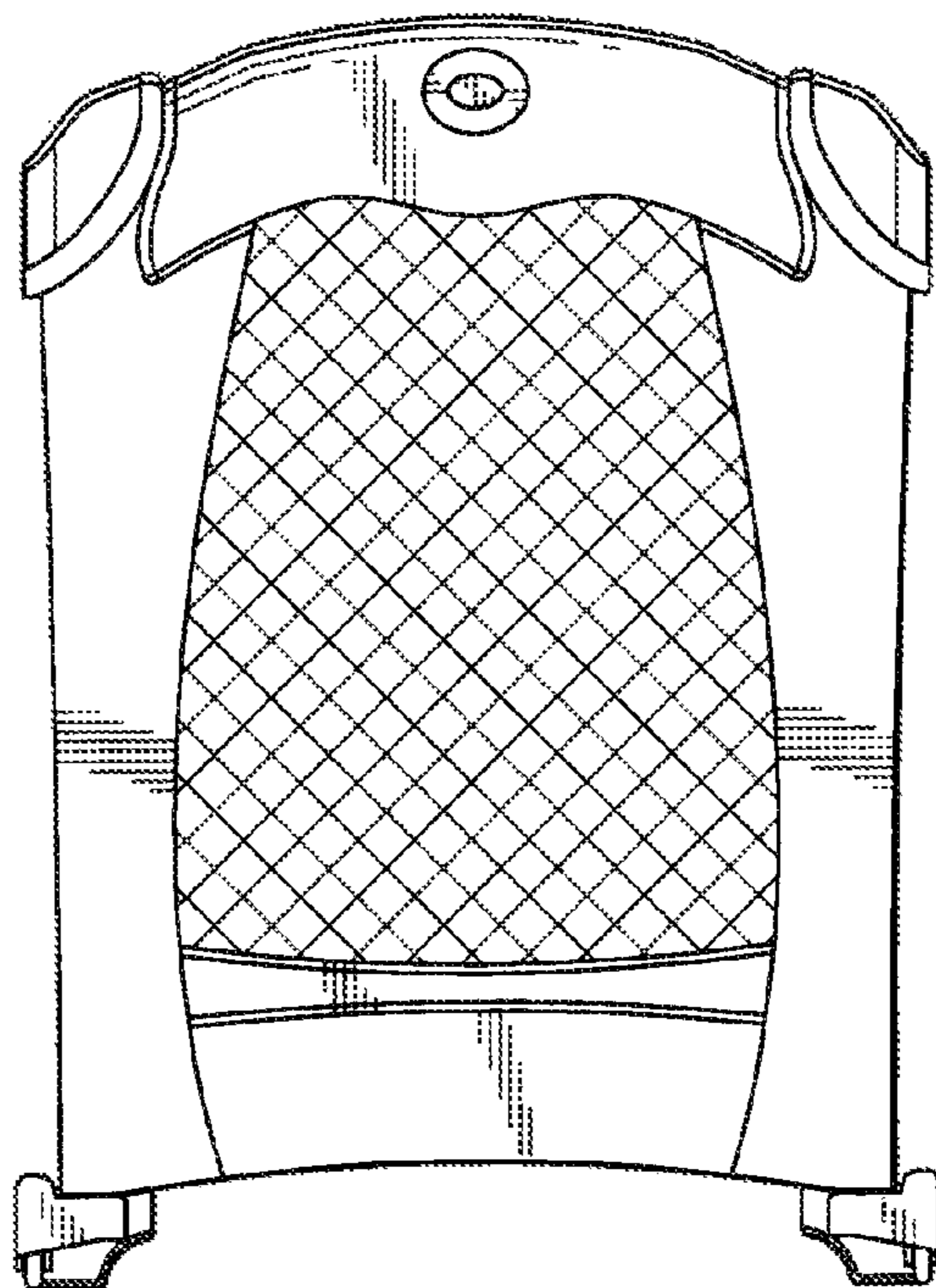


FIG. 5

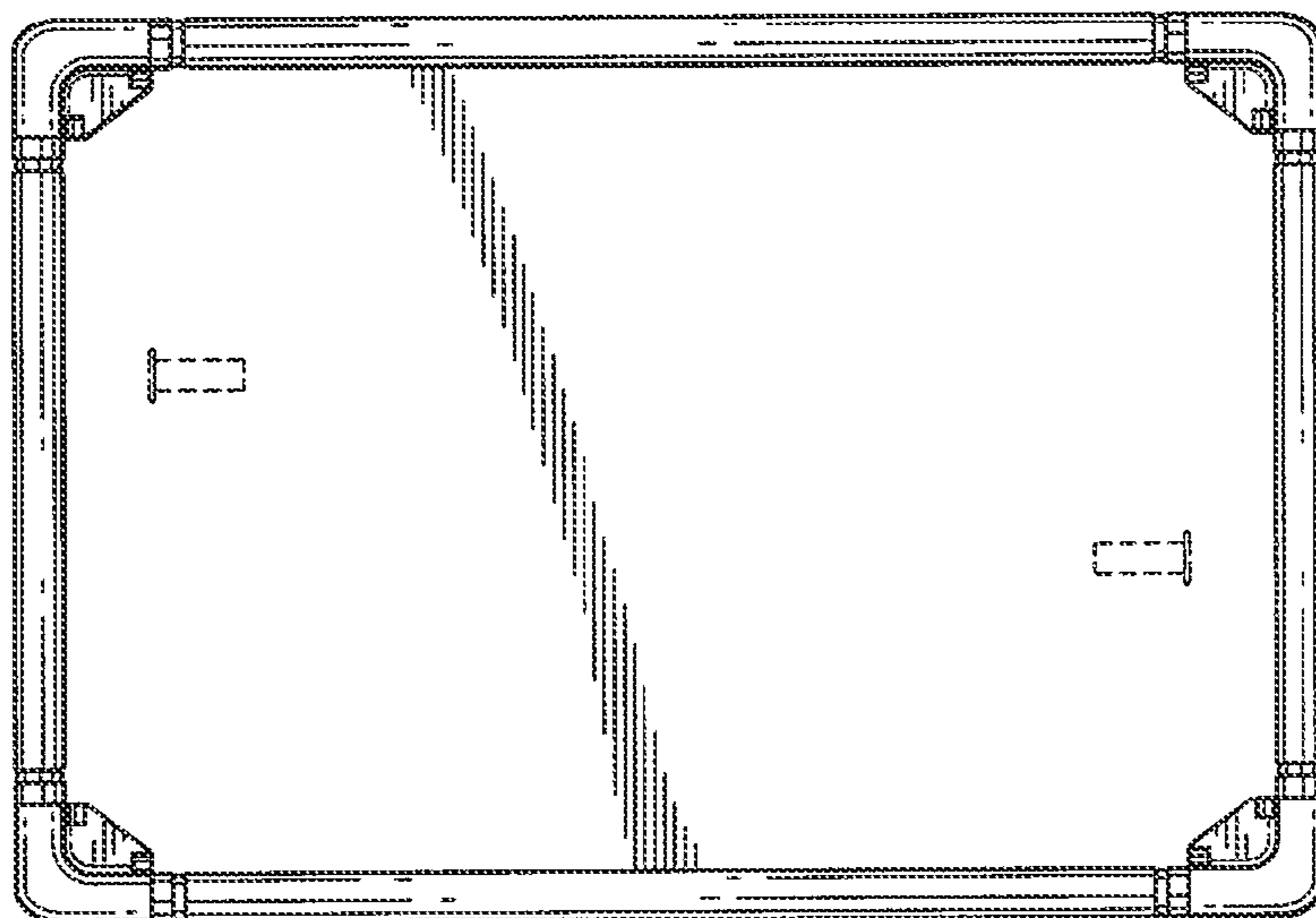


FIG. 6

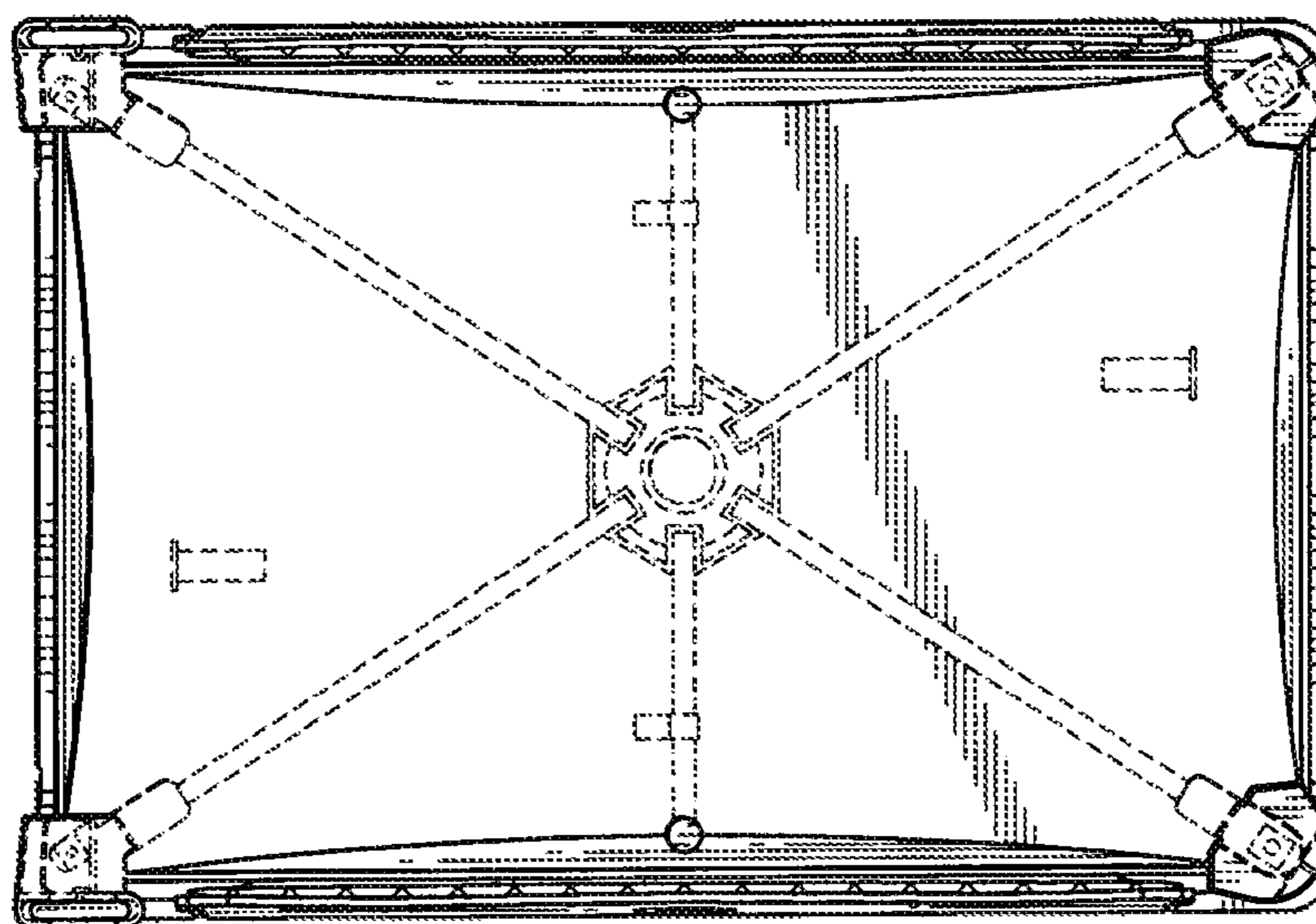


FIG. 7

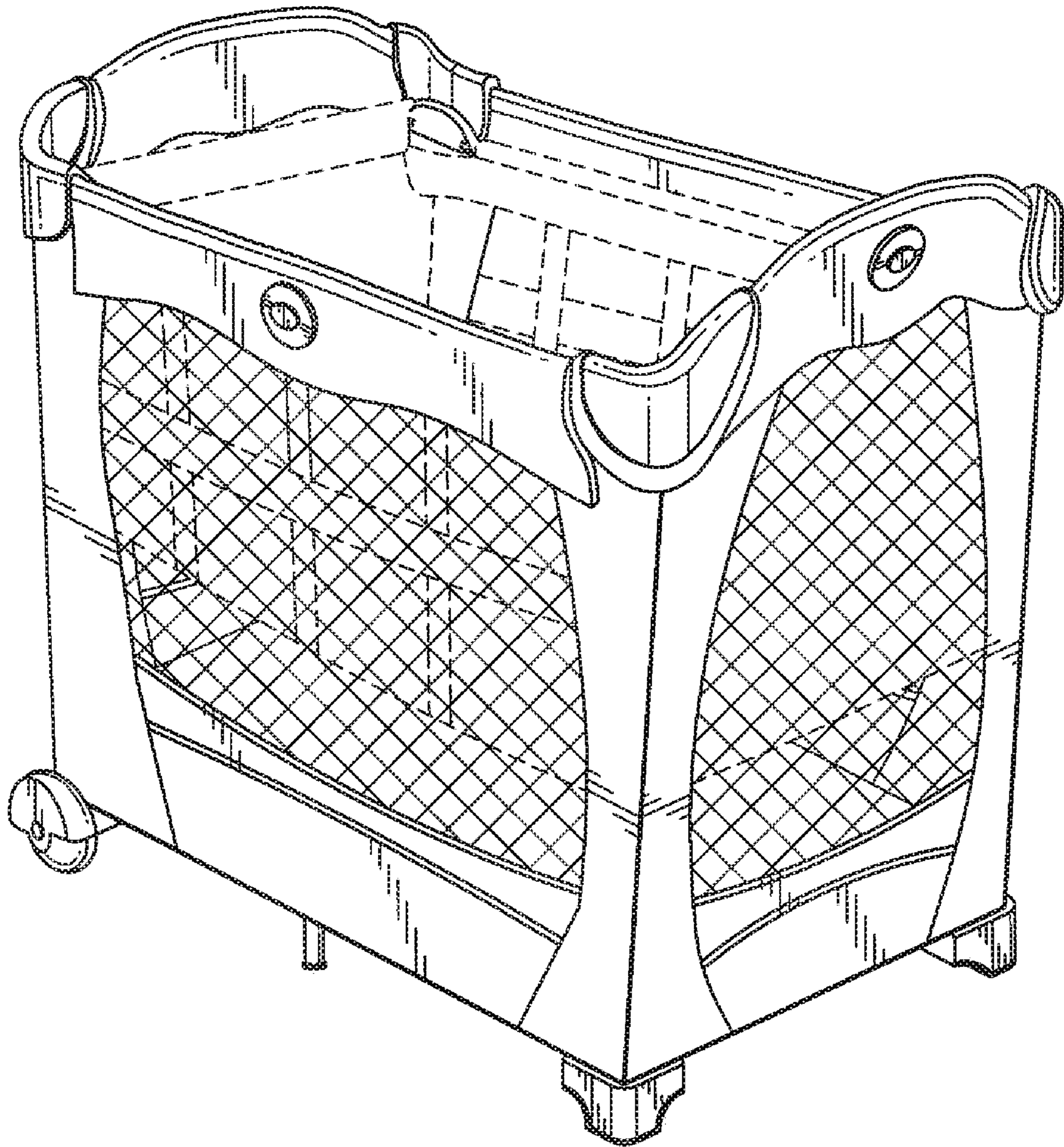


FIG. 8

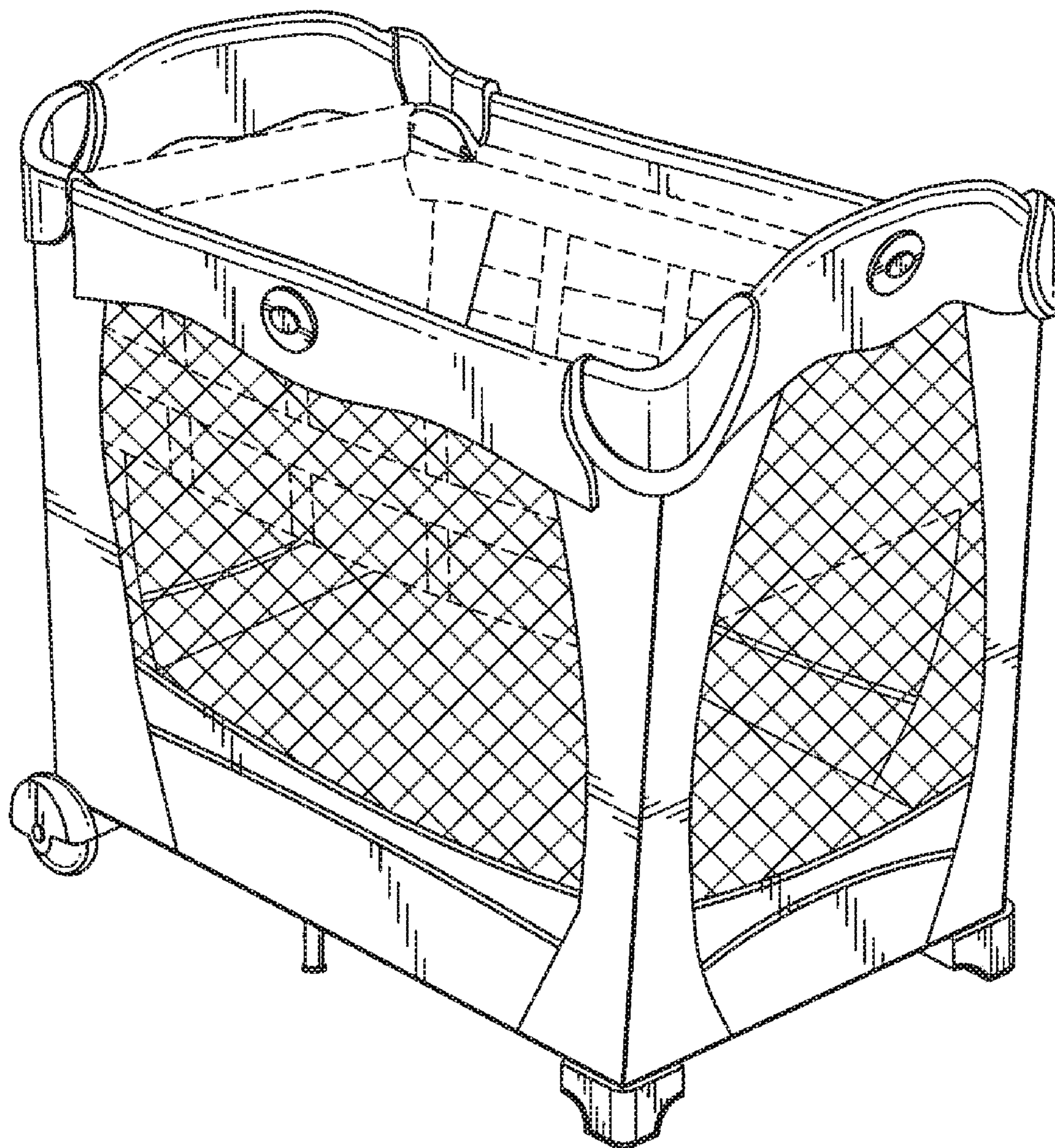


FIG. 9