



US00D619814S

(12) **United States Design Patent**
Goodman et al.

(10) **Patent No.:** **US D619,814 S**
(45) **Date of Patent:** **** *Jul. 20, 2010**

(54) **HAT AND COAT HOOK FOR OVER THE DOOR AND SURFACE MOUNTING**

Primary Examiner—Holly H Baynham
(74) *Attorney, Agent, or Firm*—Pearne & Gordon LLP

(75) Inventors: **Sheldon H. Goodman**, Solon, OH (US);
Omer I. Sazir, Cleveland, OH (US);
Elizabeth A. Cho, Strongsville, OH (US)

(57) **CLAIM**

The ornamental design for a hat and coat hook for over the door and surface mounting, as shown and described.

(73) Assignee: **Spectrum Diversified Designs, Inc.**, Streetsboro, OH (US)

DESCRIPTION

(*) Notice: This patent is subject to a terminal disclaimer.

FIG. 1 is a perspective view of a hat and coat hook for over the door and surface mounting showing our new design;

FIG. 2 is a top plan view thereof;

(**) Term: **14 Years**

FIG. 3 is a front elevational view thereof;

(21) Appl. No.: **29/340,237**

FIG. 4 is a right side elevational view thereof, the left side elevational view being a mirror image;

(22) Filed: **Jul. 15, 2009**

FIG. 5 is a rear elevational view thereof;

(51) **LOC (9) Cl.** **06-08**

FIG. 6 is a bottom plan view thereof;

(52) **U.S. Cl.** **D6/323; D8/370**

FIG. 7 is a perspective view of a second embodiment of the design shown in FIG. 1;

(58) **Field of Classification Search** **D8/370,**

FIG. 8 is a top plan view thereof;

D8/367; D6/323; 248/302–303

FIG. 9 is a front elevational view thereof;

See application file for complete search history.

FIG. 10 is a bottom plan view thereof;

(56) **References Cited**

FIG. 11 is a rear elevational view thereof;

U.S. PATENT DOCUMENTS

FIG. 12 is a right side elevational view thereof;

1,220,717 A * 3/1917 Bennett 248/227.2

FIG. 13 is an alternate environmental view of the design shown in FIG. 7; and,

D439,143 S * 3/2001 Goodman et al. D8/372

FIG. 14 is a third embodiment of the design shown in FIG. 1.

D480,624 S * 10/2003 Dretzka D8/367

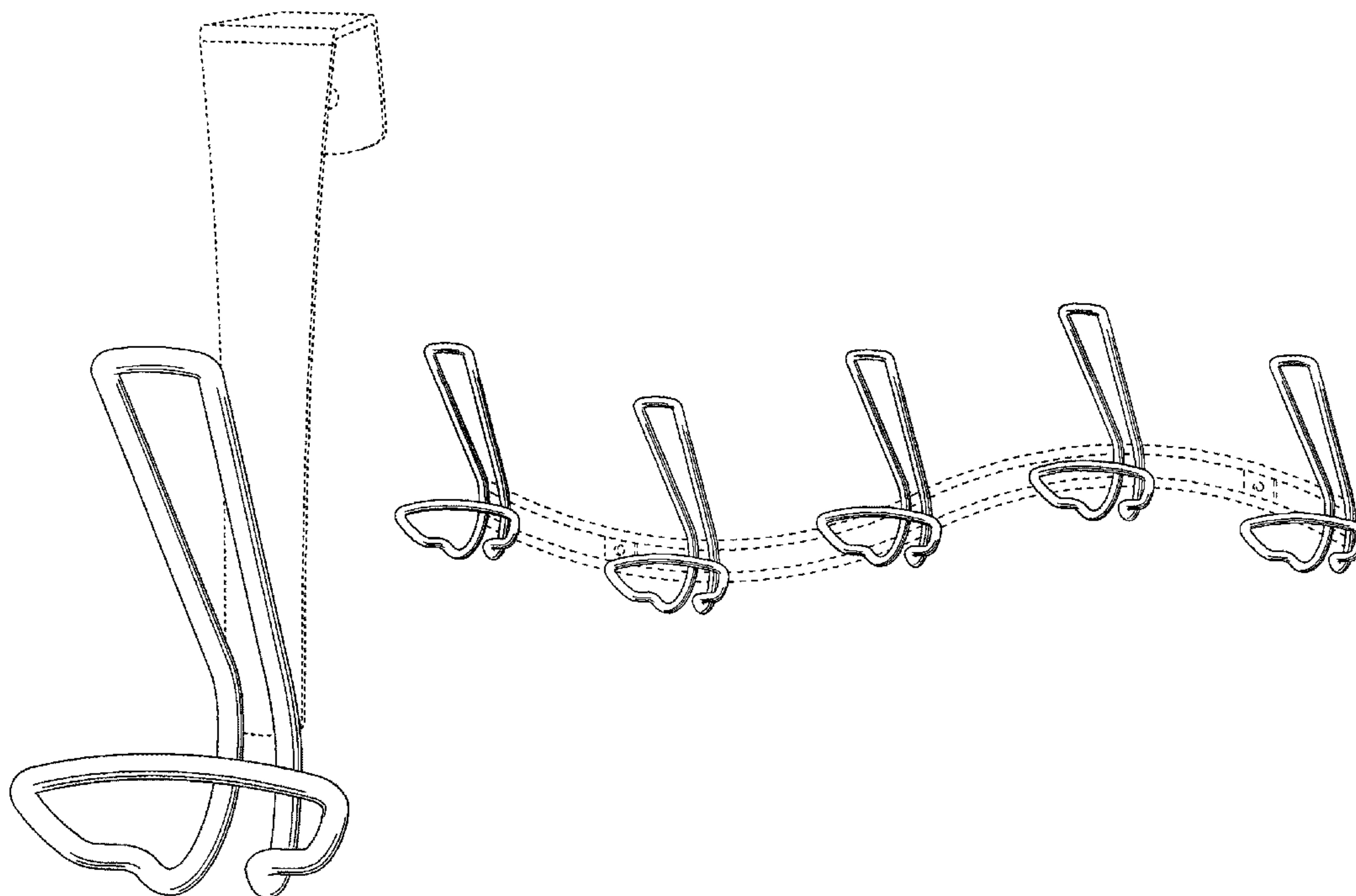
The dotted-line showing in the drawings illustrates environmental matter and forms no part of the claimed design.

D487,561 S * 3/2004 Nguyen et al. D8/370

D591,143 S * 4/2009 Ernst et al. D8/372

* cited by examiner

1 Claim, 7 Drawing Sheets



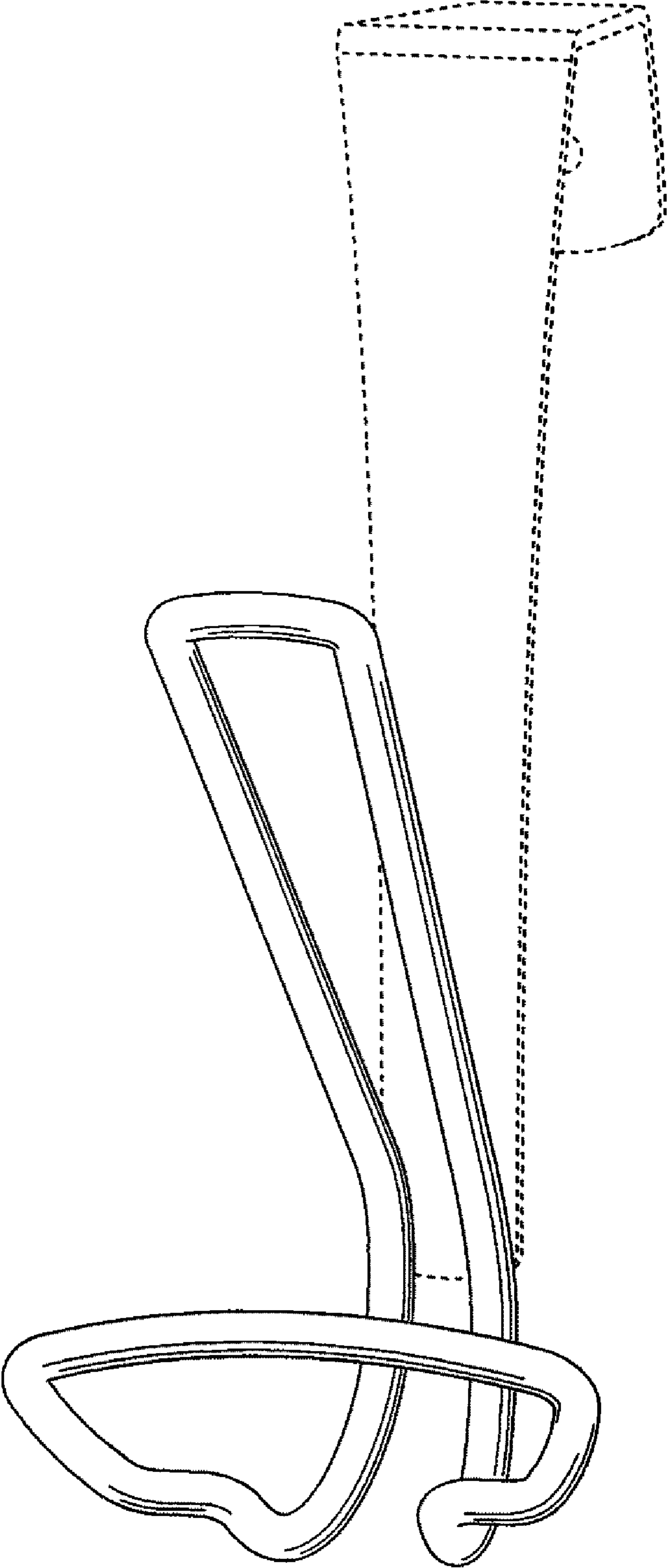


FIG. 1

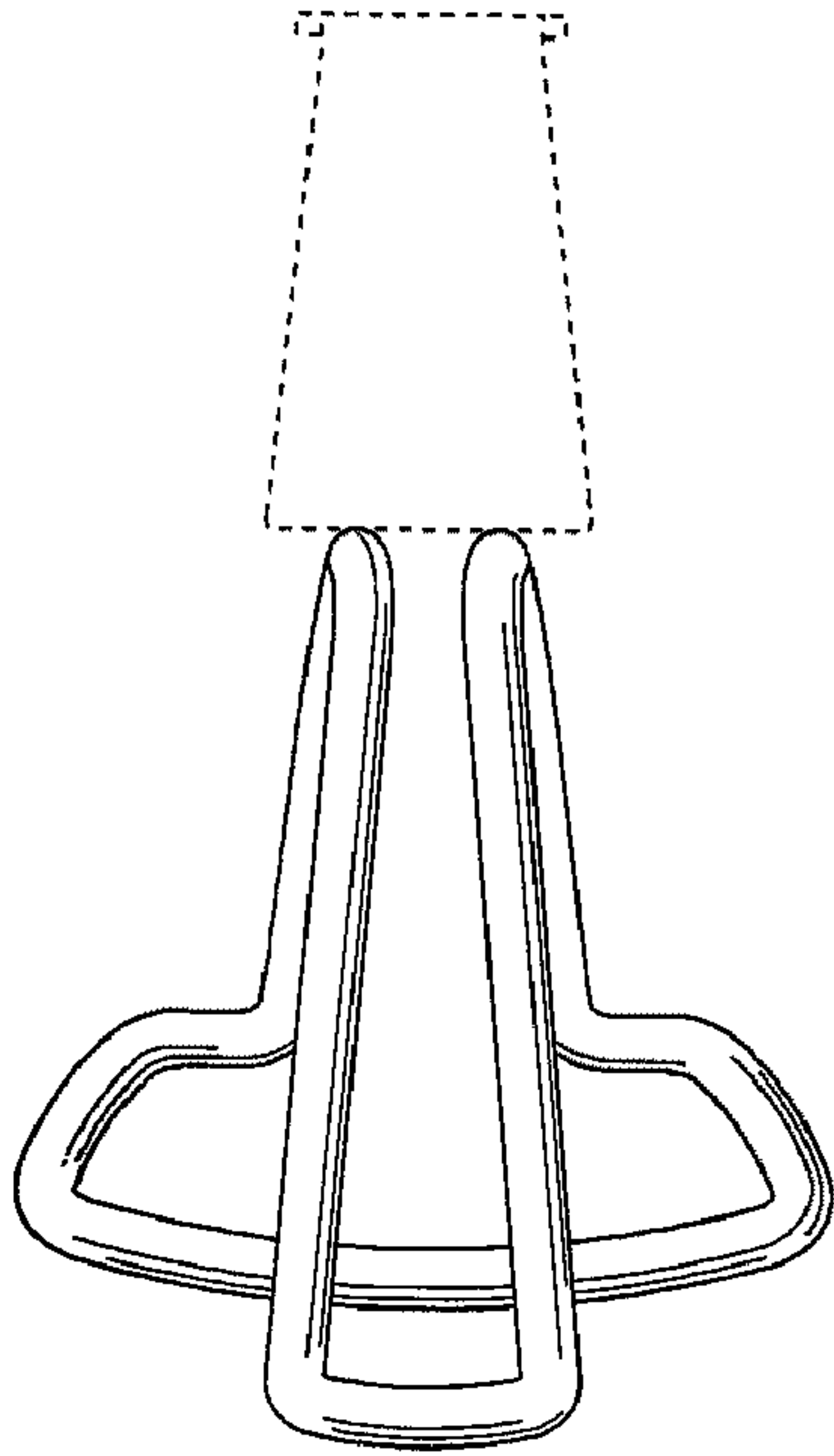


FIG. 2

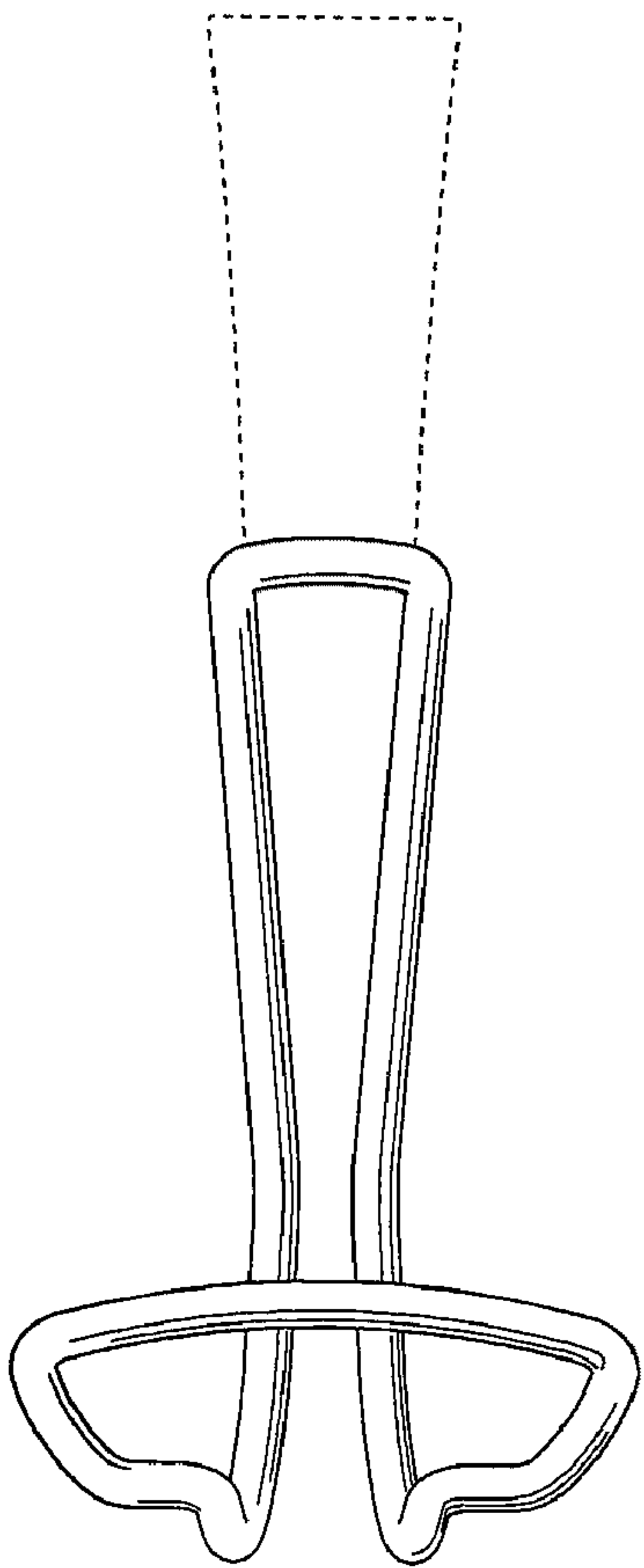


FIG. 3

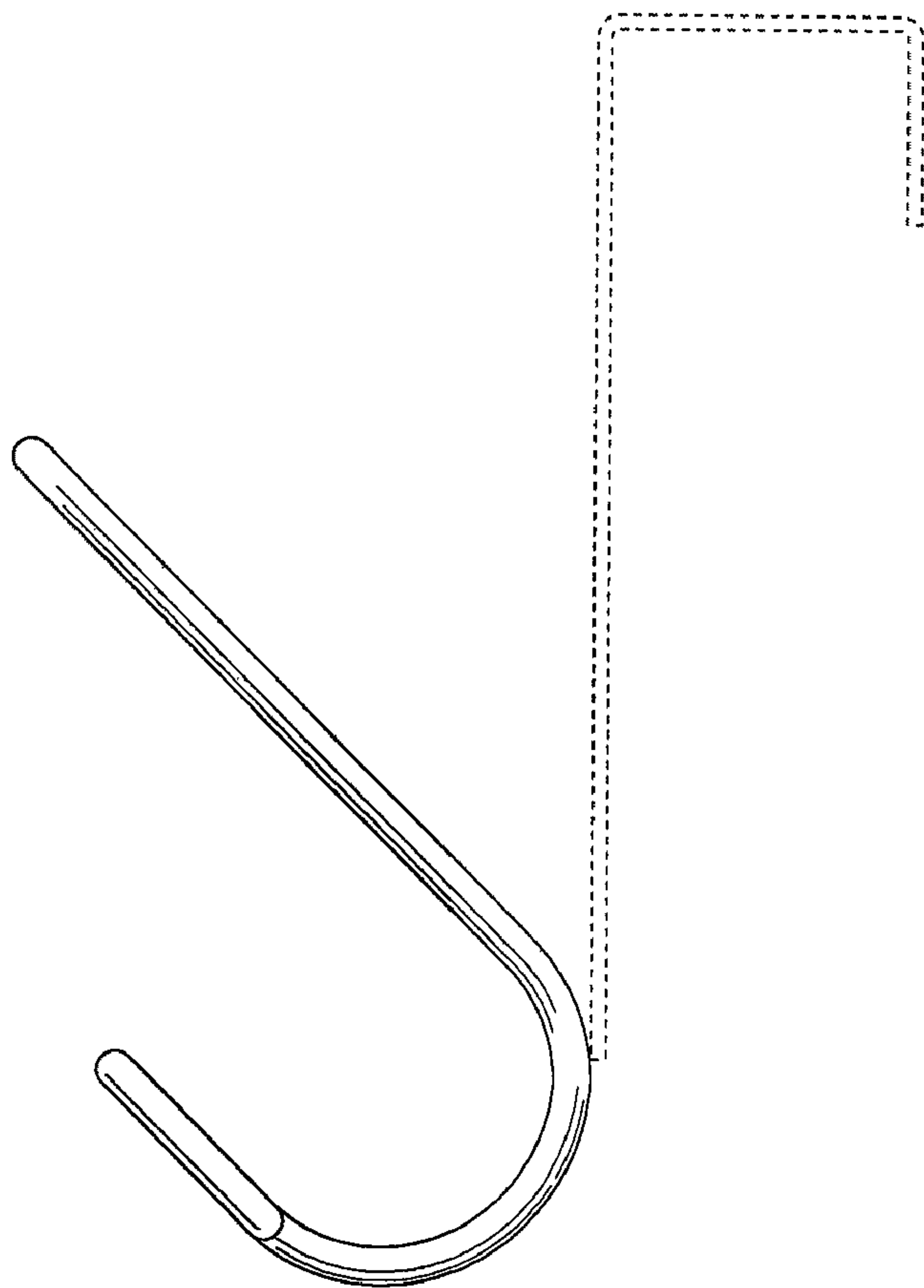


FIG. 4

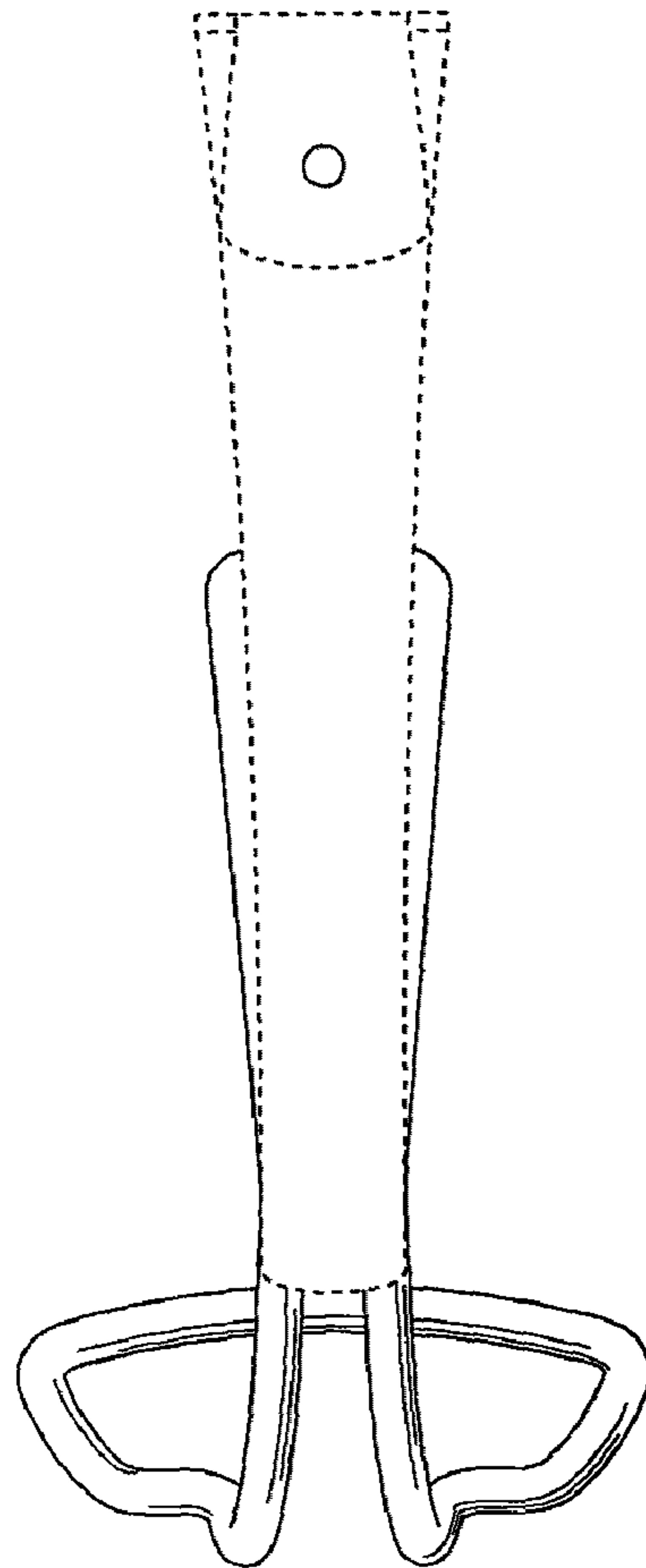


FIG. 5

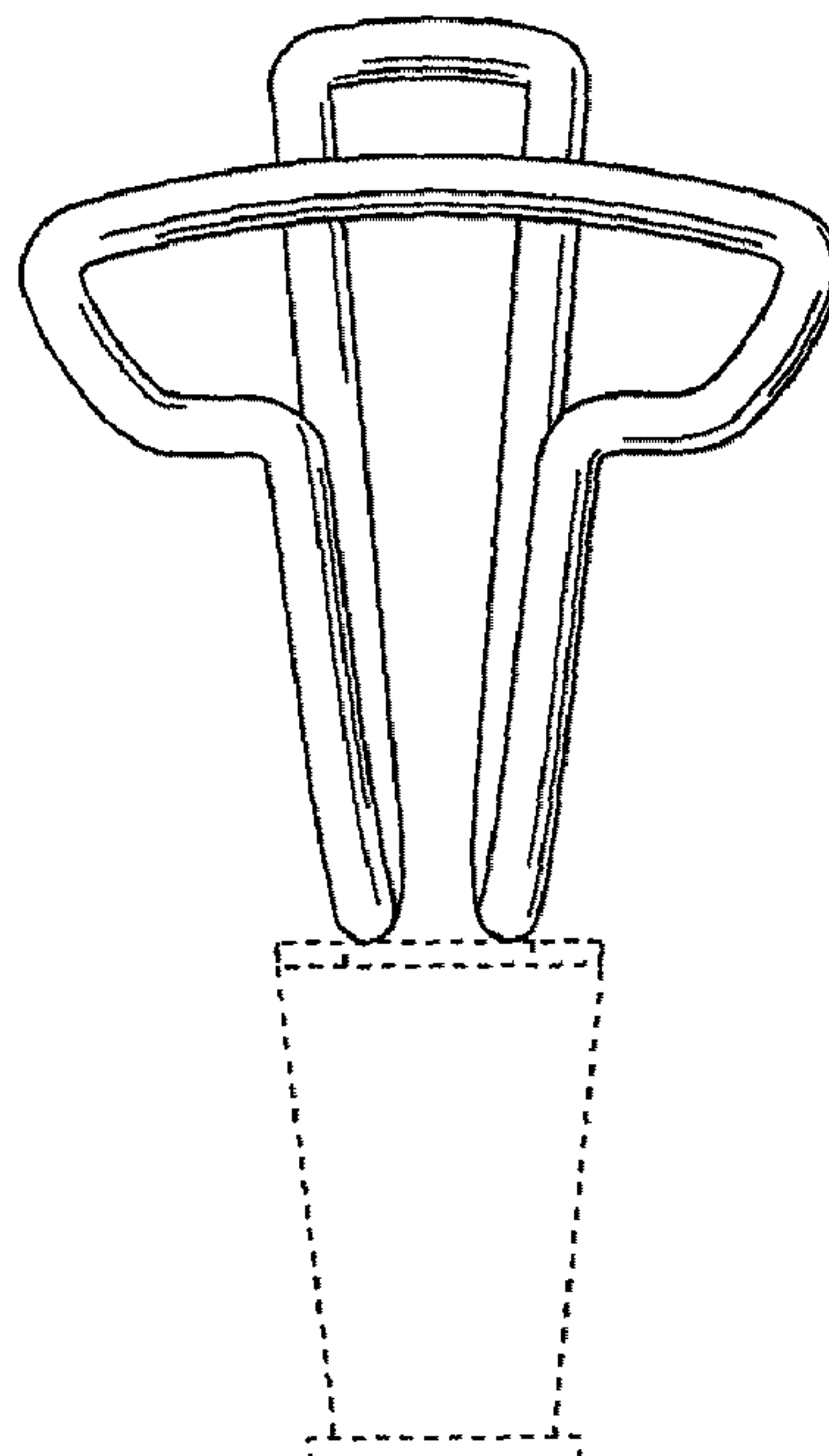


FIG. 6

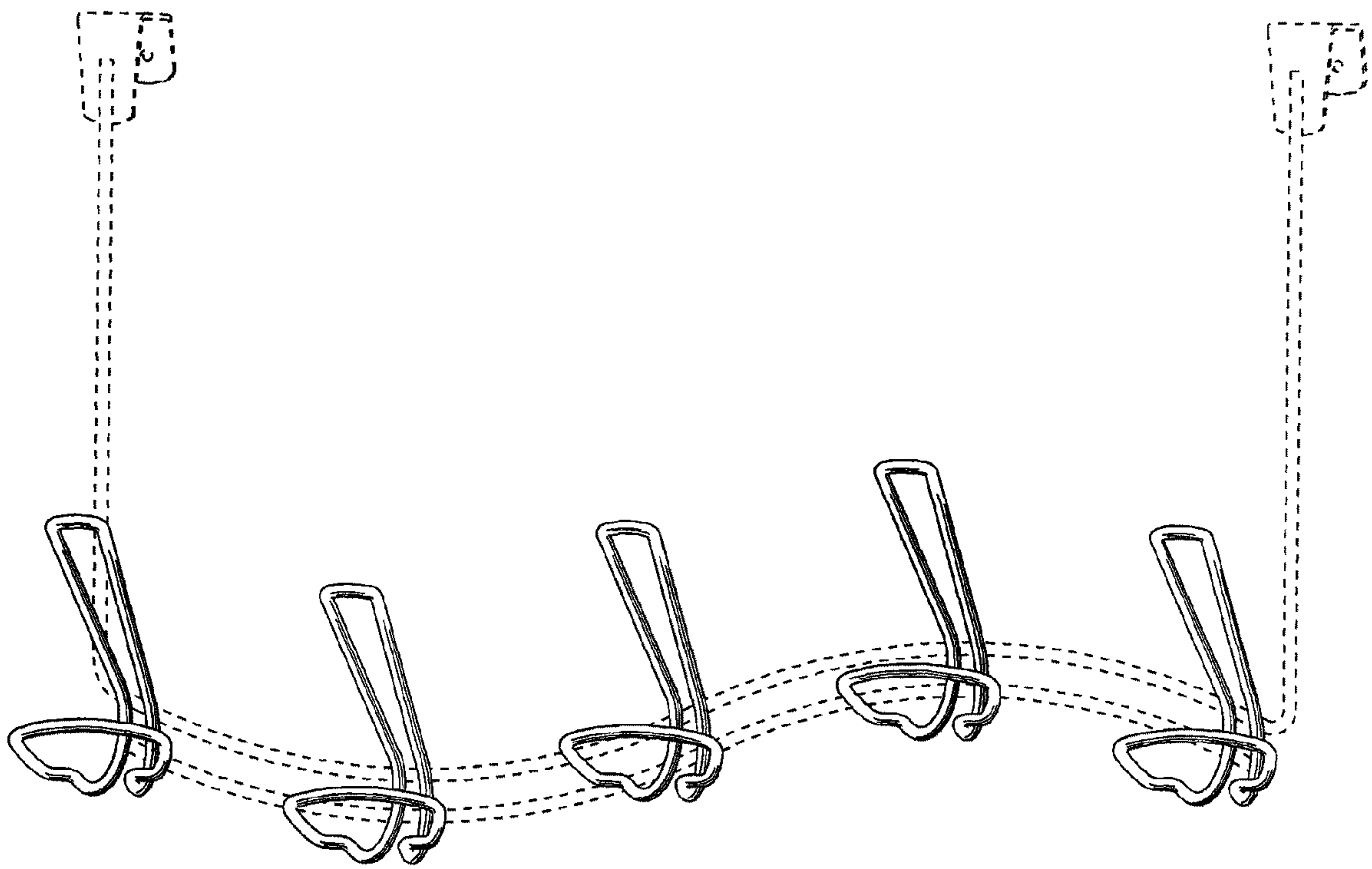


FIG. 7

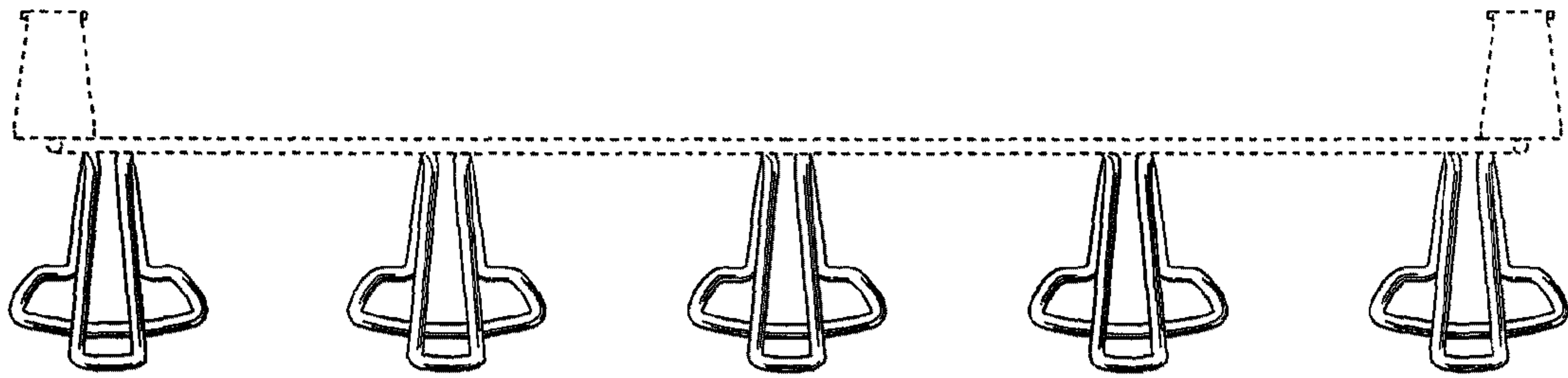


FIG. 8

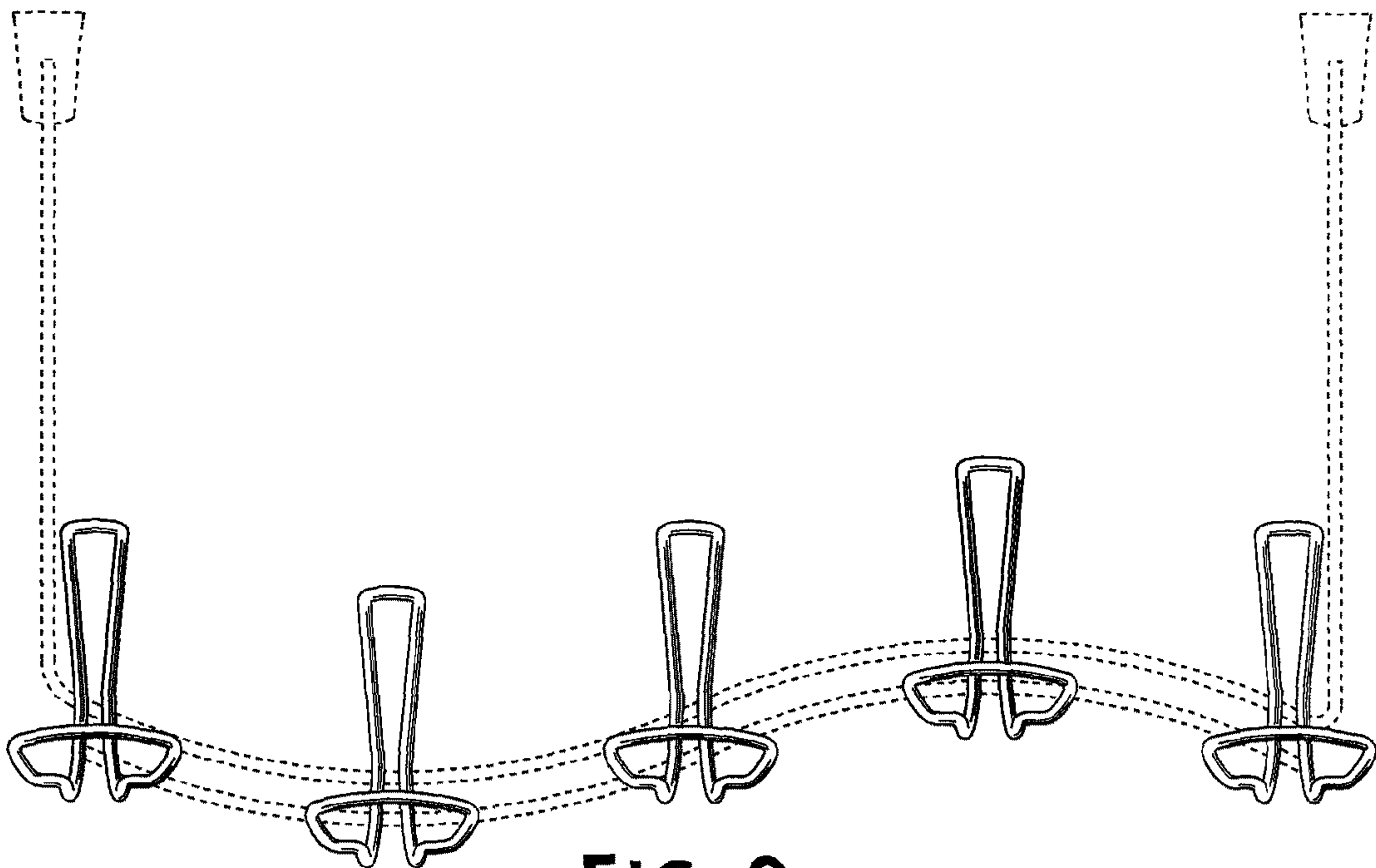


FIG. 9

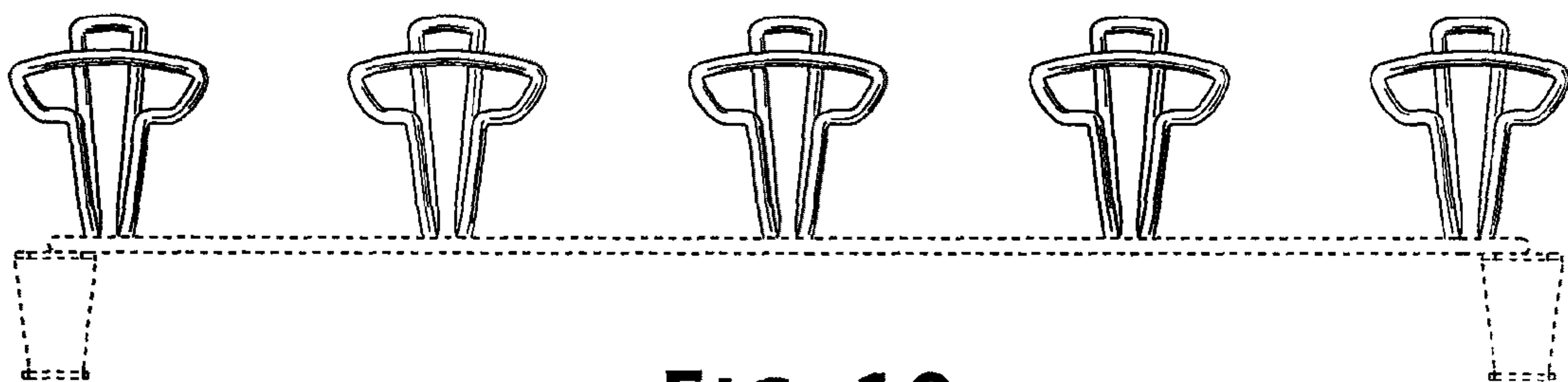


FIG. 10

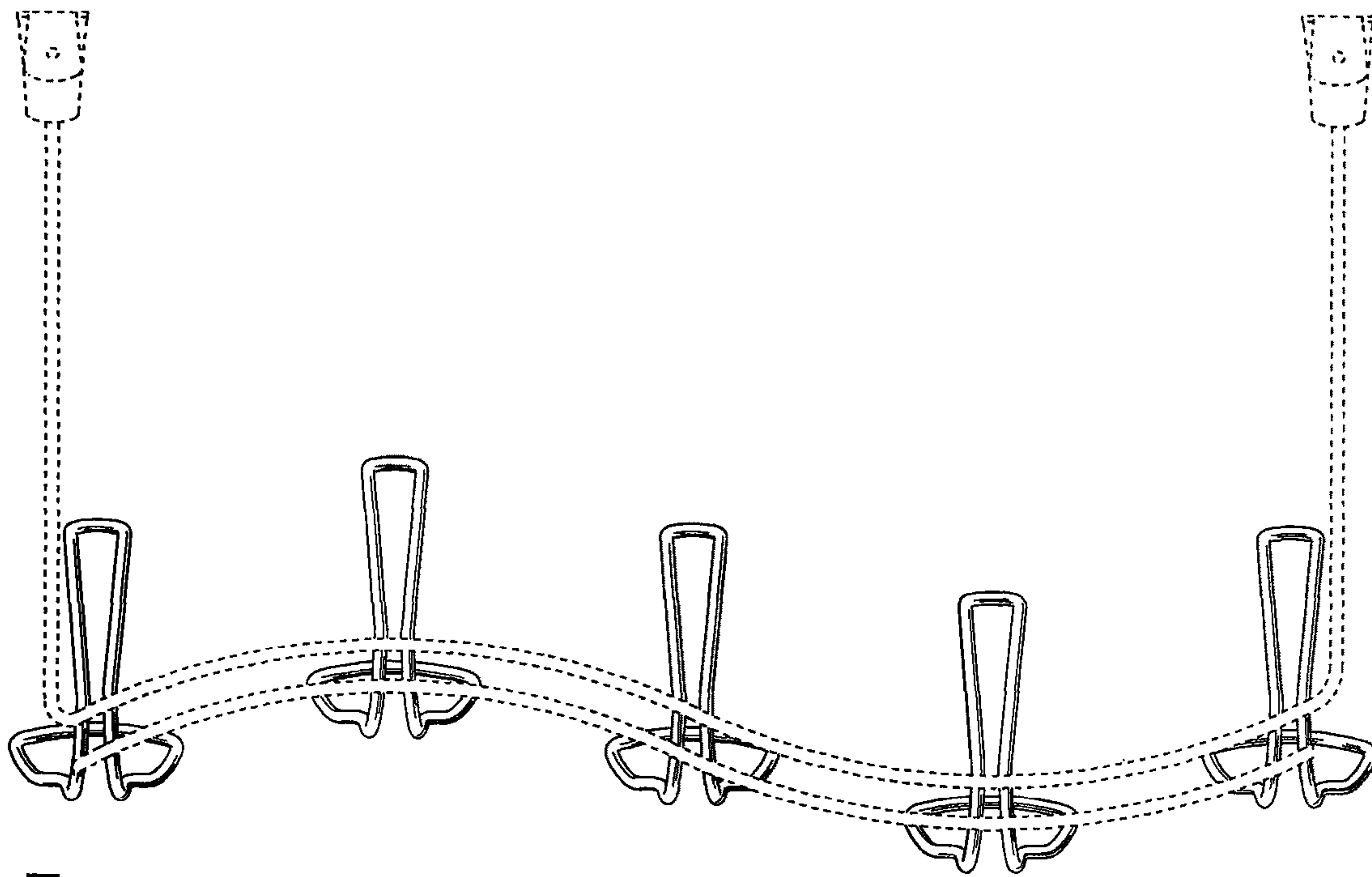


FIG. 11

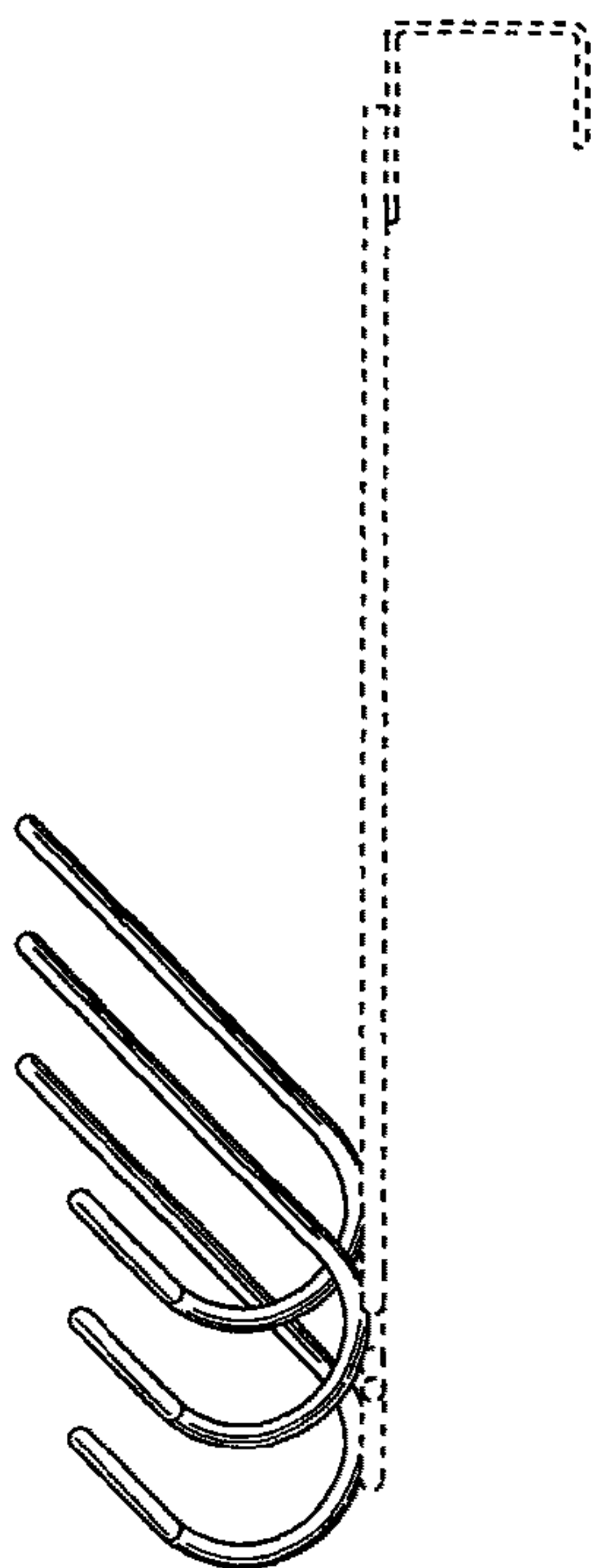


FIG. 12

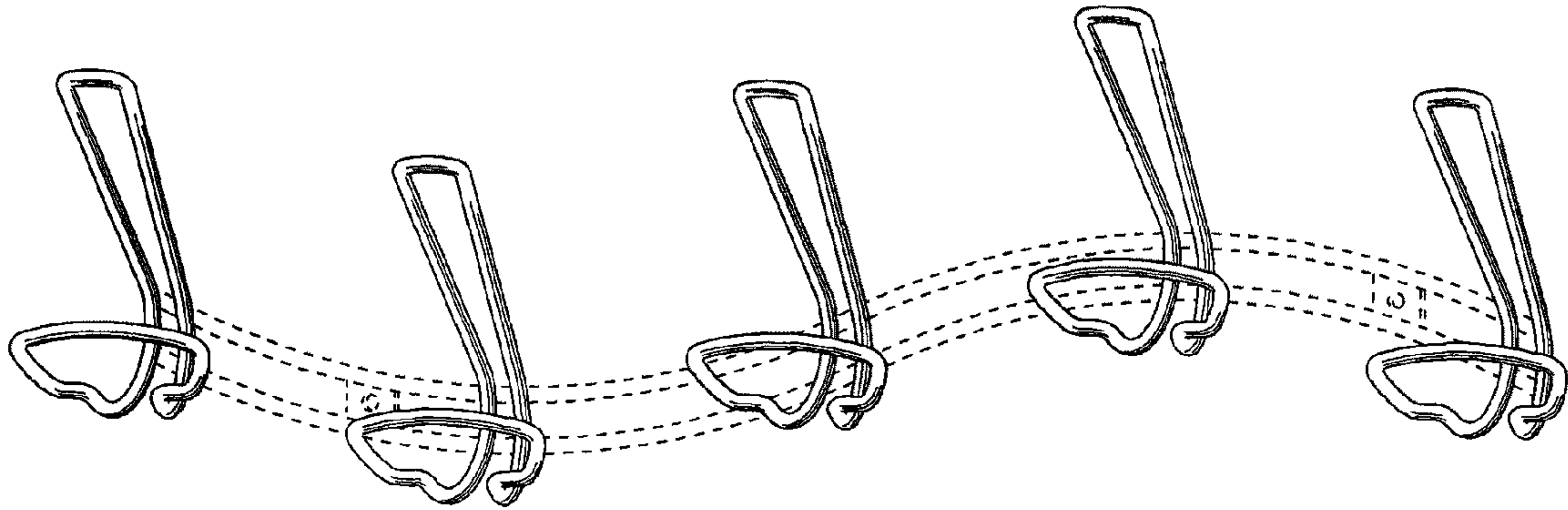


FIG. 13

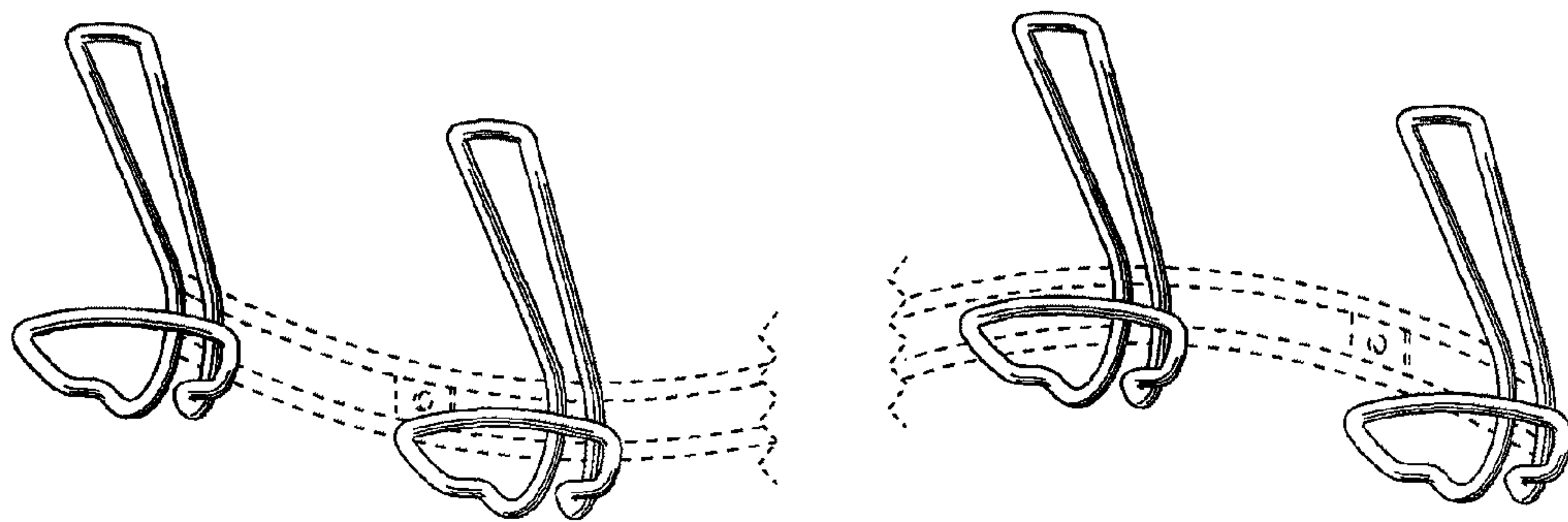


FIG. 14