



US00D619811S

(12) **United States Design Patent**
Gringer

(10) **Patent No.:** **US D619,811 S**
(45) **Date of Patent:** **** Jul. 20, 2010**

(54) **BRUSH**

D575,527 S * 8/2008 Libman et al. D4/138

(75) Inventor: **Donald Gringer**, New York, NY (US)

FOREIGN PATENT DOCUMENTS

(73) Assignee: **Allway Tools, Inc.**, Bronx, NY (US)

DE 2432460 A1 1/1976
JP 8154726 A 6/1996
JP 10295445 A 11/1998
KR 119802 S * 11/1991

(**) Term: **14 Years**

(21) Appl. No.: **29/350,743**

OTHER PUBLICATIONS

(22) Filed: **Nov. 23, 2009**

Allway Tools, Soft Grip Tools for Hard Hat Jobs, pp. 20-22, © 2008.

* cited by examiner

Related U.S. Application Data

(63) Continuation of application No. 29/337,495, filed on May 22, 2009, now abandoned.

Primary Examiner—Melanie H Tung

Assistant Examiner—Lavone D Tabor

(74) *Attorney, Agent, or Firm*—Gottlieb, Rackman & Reisman, P.C.

(51) **LOC (9) Cl.** **04-01**

(52) **U.S. Cl.** **D4/138; D4/134**

(58) **Field of Classification Search** D4/132–134,
D4/136, 138; 15/143.1, 159.1, 160, 186–188;
D28/63; 16/110.1, 430, DIG. 12, DIG. 19;
132/120, 313

See application file for complete search history.

(57) **CLAIM**

The ornamental design for a brush, as shown and described.

(56) **References Cited**

U.S. PATENT DOCUMENTS

D71,505 S * 11/1926 Trifari D4/134
D244,809 S 6/1977 Graham et al.
D309,984 S 8/1990 Gingras
D375,842 S 11/1996 Gringer
D378,959 S 4/1997 Gringer
D437,488 S * 2/2001 Weiss D4/132
D440,213 S * 4/2001 Weiss D4/132
D441,961 S 5/2001 Gringer
D441,962 S 5/2001 Gringer
D449,739 S 10/2001 Gringer
D454,000 S 3/2002 Gringer
D495,886 S * 9/2004 Berti D4/138

DESCRIPTION

FIG. 1 is a perspective view of a brush showing my new design;

FIG. 2 is a top view thereof;

FIG. 3 is a left view thereof front view thereof, with the right side being a mirror image;

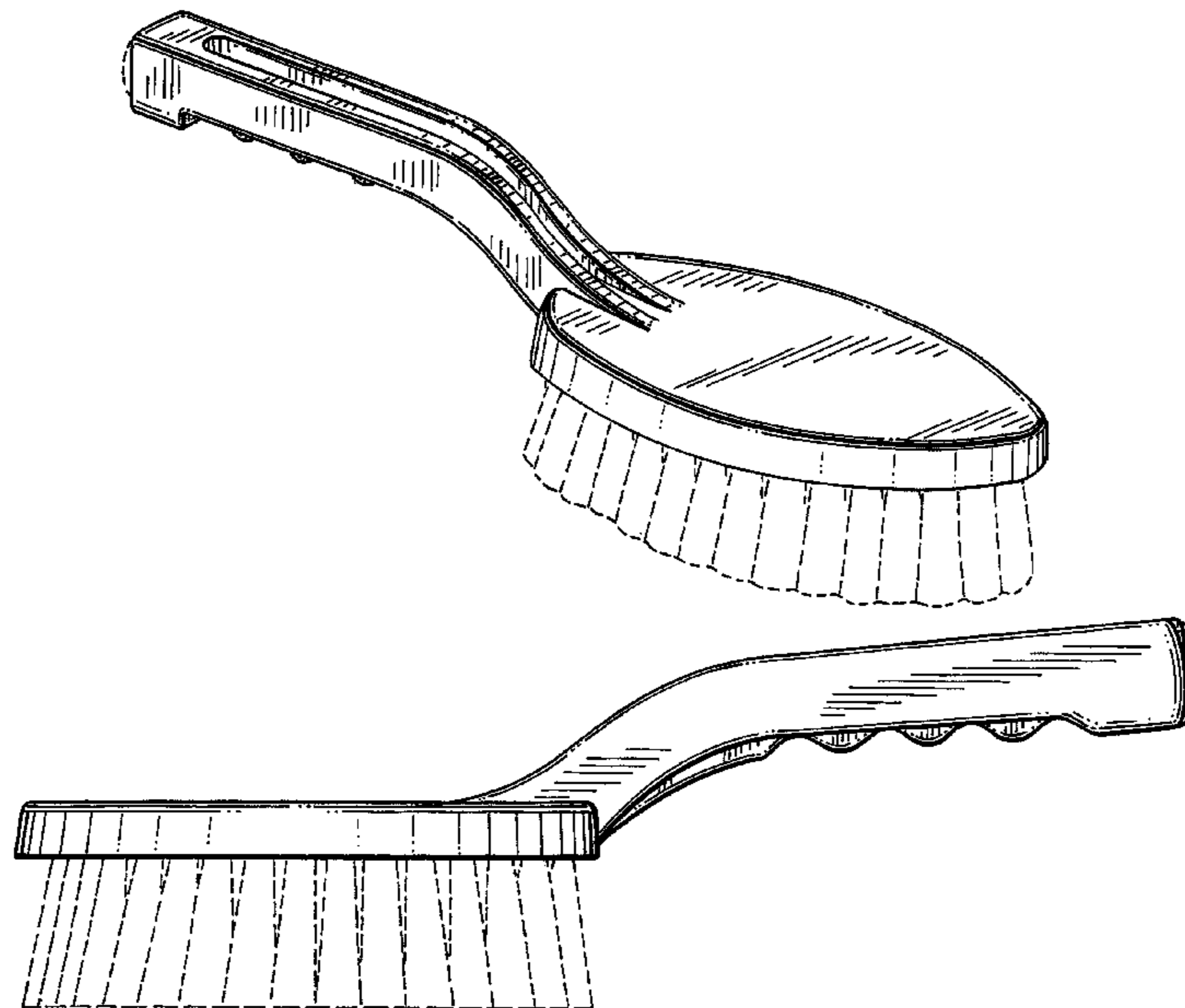
FIG. 4 is a front view thereof;

FIG. 5 is a rear view thereof; and,

FIG. 6 is a bottom view thereof.

The broken lines immediately adjacent the surface shading on the handle represent the bounds of the claim while the broken lines showing bristles and parts of the handle illustrate environmental structure none of which forms part of the claimed design.

1 Claim, 3 Drawing Sheets



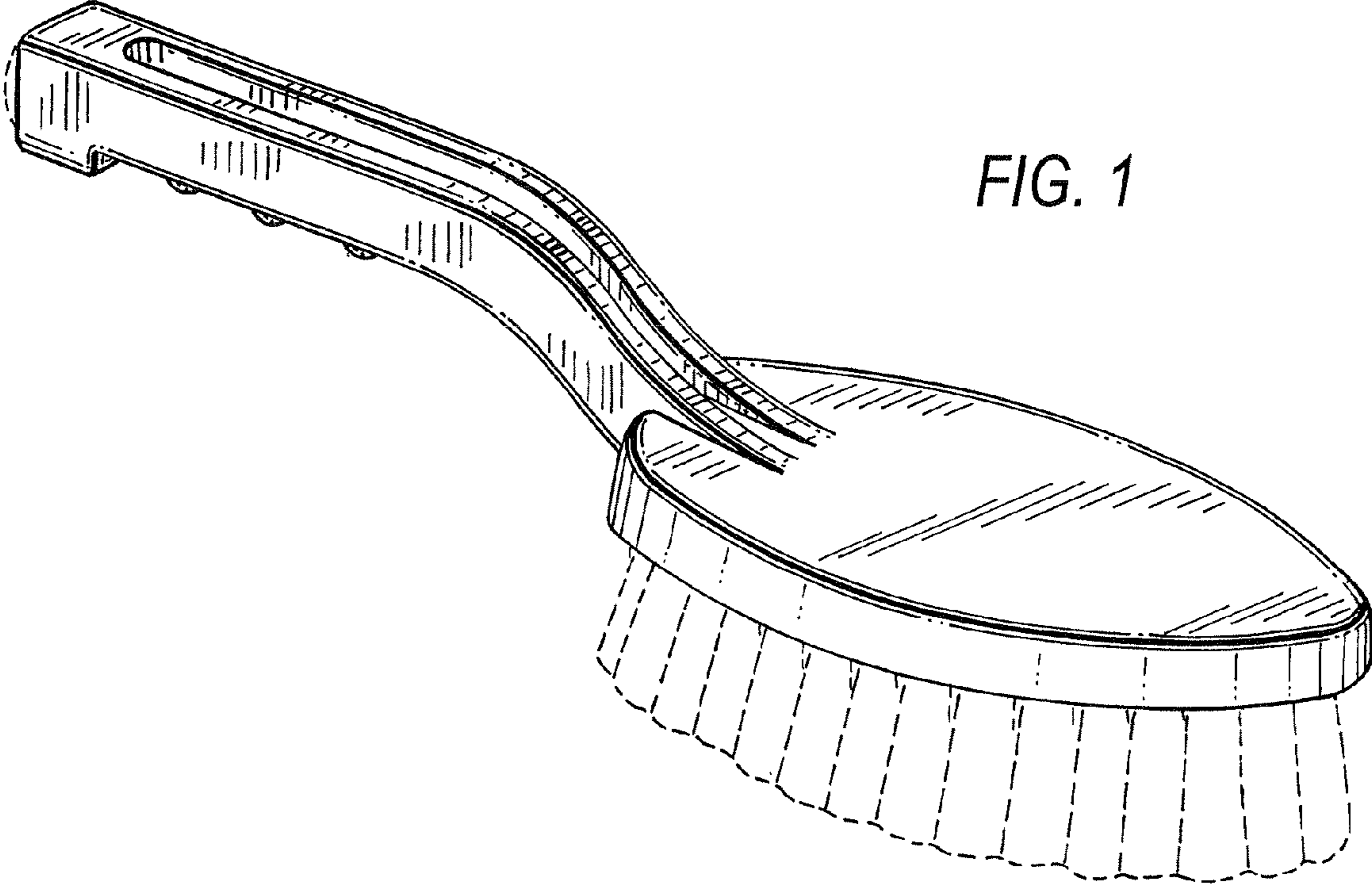
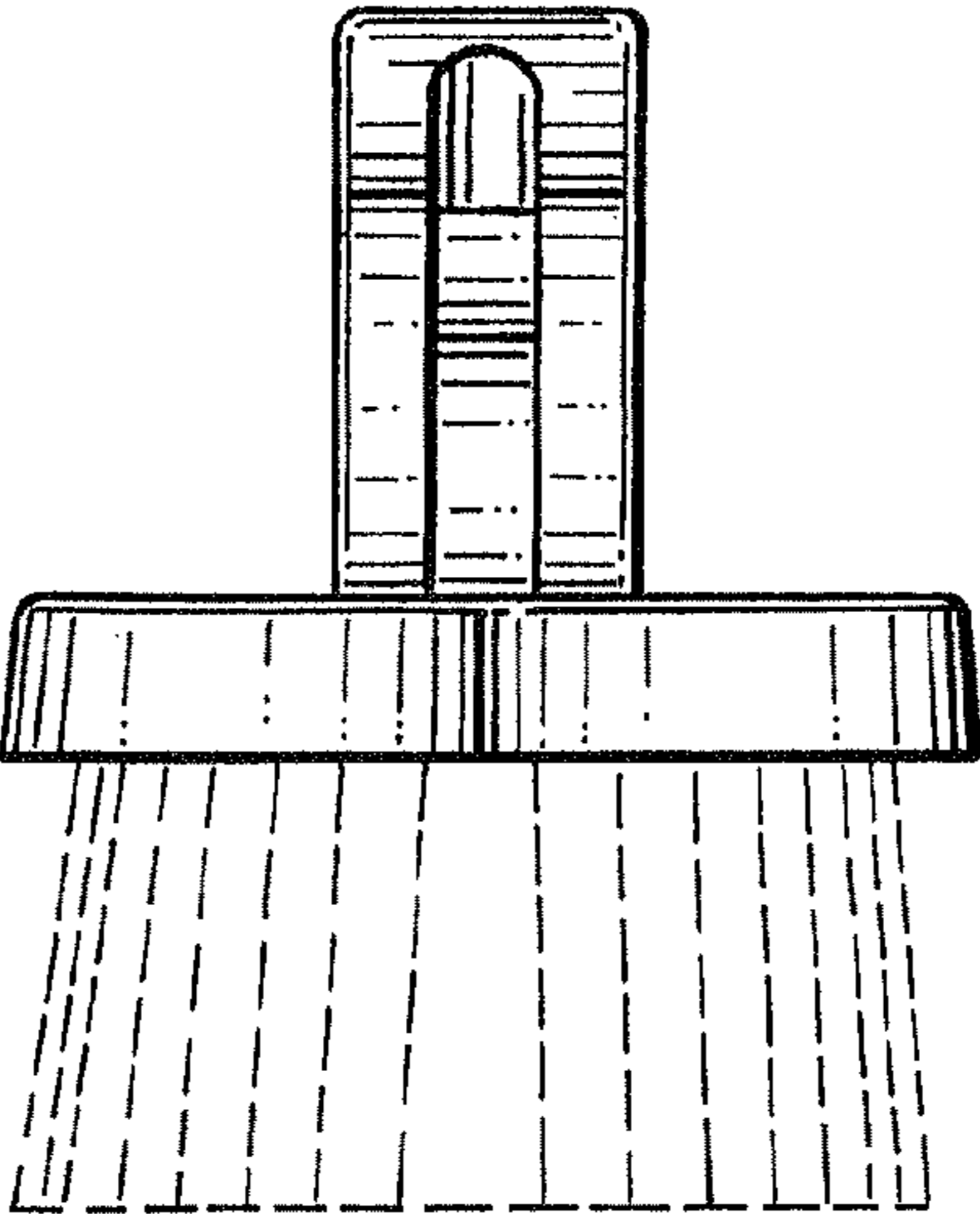


FIG. 1

FIG. 4



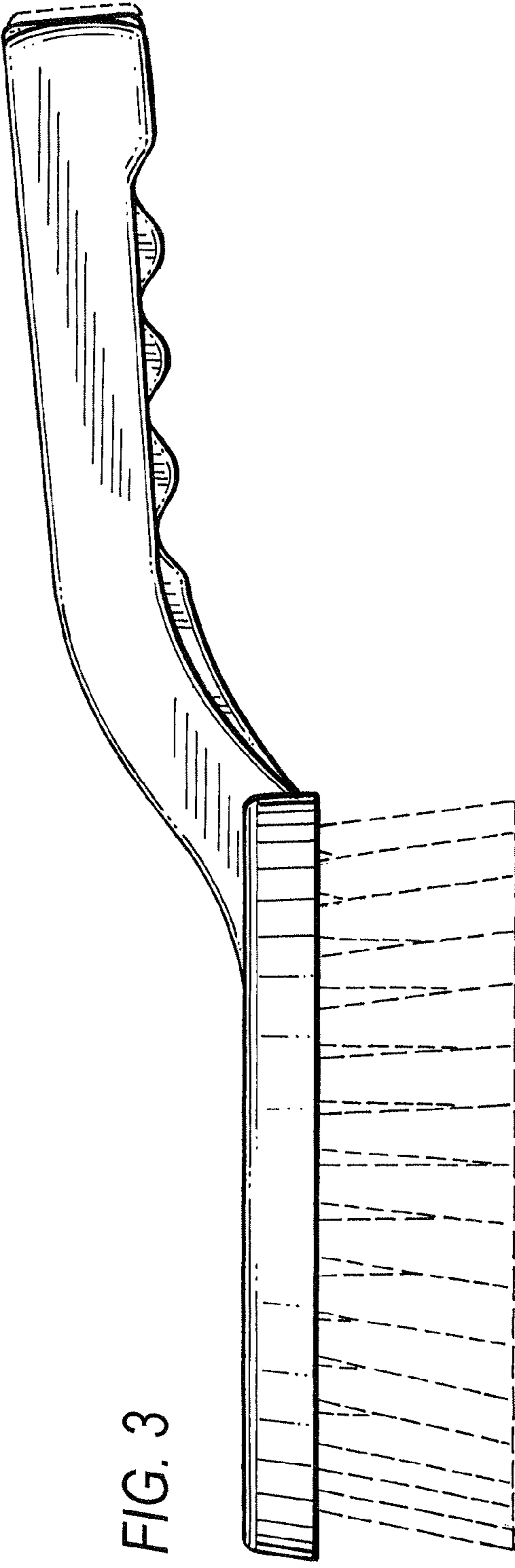
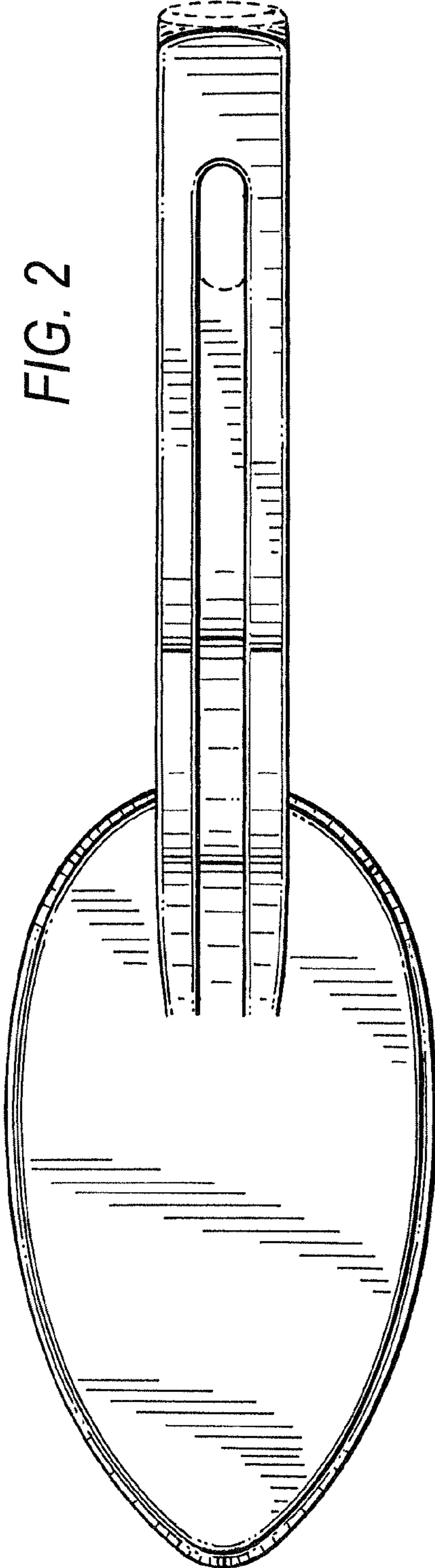


FIG. 5

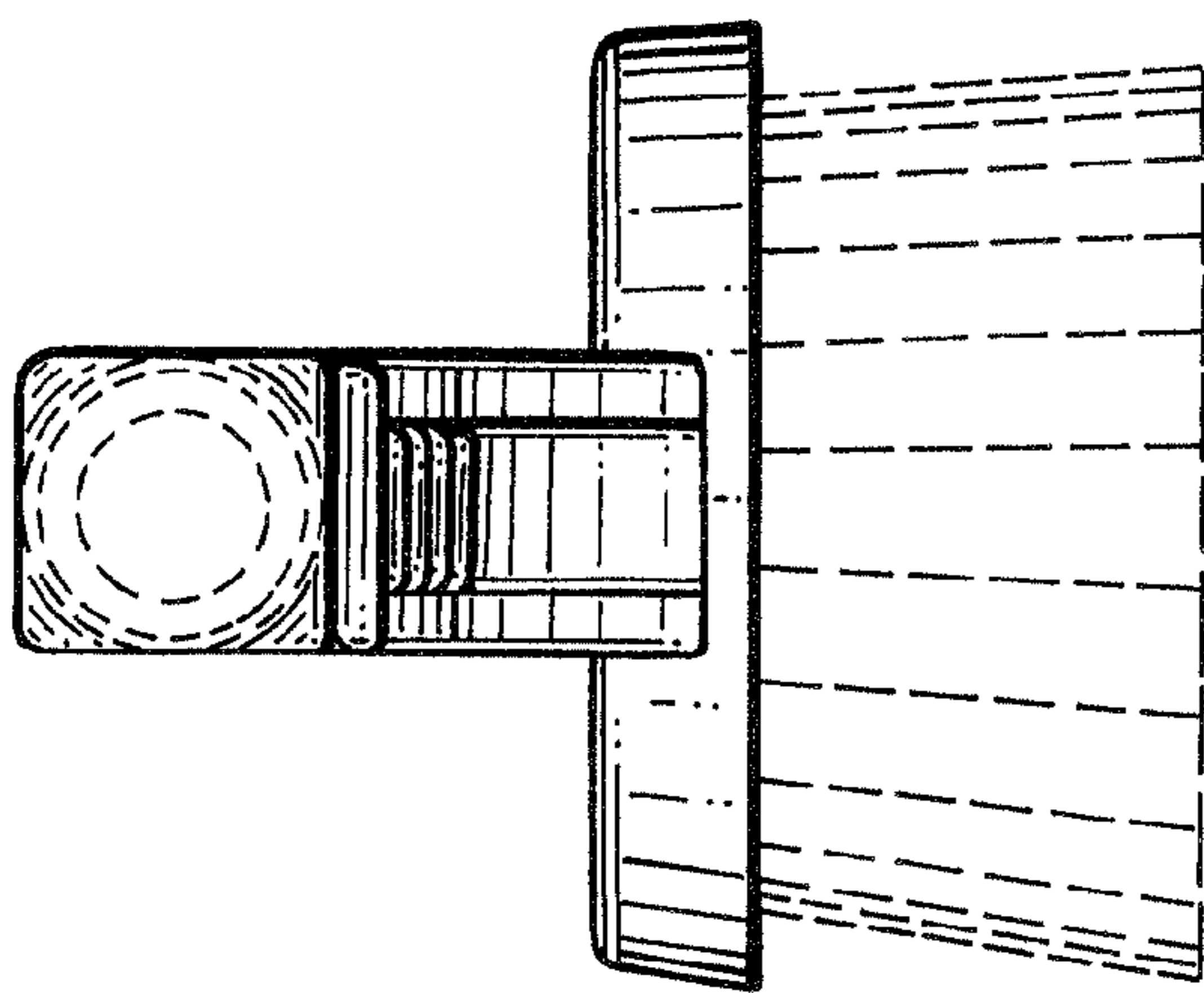


FIG. 6

