



US00D619810S

(12) **United States Design Patent**
Huang

(10) **Patent No.:** **US D619,810 S**

(45) **Date of Patent:** **** Jul. 20, 2010**

(54) **CASE**

(76) Inventor: **Liu-Man Huang**, No. 1, Ln. 784,
Zhongshan Rd., Shengang Township,
Taichung County (TW)

(**) Term: **14 Years**

(21) Appl. No.: **29/350,289**

(22) Filed: **Nov. 13, 2009**

(51) **LOC (9) Cl.** **03-01**

(52) **U.S. Cl.** **D3/276; D3/900**

(58) **Field of Classification Search** D3/201,
D3/273, 279, 276, 281, 282, 294, 293, 900-905;
190/100, 101, 102, 120, 127, 903
See application file for complete search history.

(56) **References Cited**

U.S. PATENT DOCUMENTS

4,067,422	A *	1/1978	Eberle	190/112
4,509,622	A *	4/1985	Morszeck	190/119
4,790,417	A *	12/1988	Tomikawa et al.	190/102
5,000,301	A *	3/1991	Grenier	190/127
D401,408	S *	11/1998	Sun et al.	D3/276
5,839,853	A *	11/1998	Oppenheimer et al.	405/60

D421,333	S *	3/2000	Lee	D3/276
D432,303	S *	10/2000	Wheat	D3/276
D439,407	S *	3/2001	Parker	D3/276
D453,267	S *	2/2002	Beedham	D3/276
D499,883	S *	12/2004	Perella et al.	D3/276
D533,746	S *	12/2006	Levy et al.	D7/354

* cited by examiner

Primary Examiner—Prabhakar Deshmukh

(74) *Attorney, Agent, or Firm*—Egbert Law Offices PLLC

(57) **CLAIM**

The ornamental design for a case, as shown and described.

DESCRIPTION

FIG. 1 is an upper perspective view of the case showing my design.

FIG. 2 is a front elevation view thereof;

FIG. 3 is back elevation view thereof;

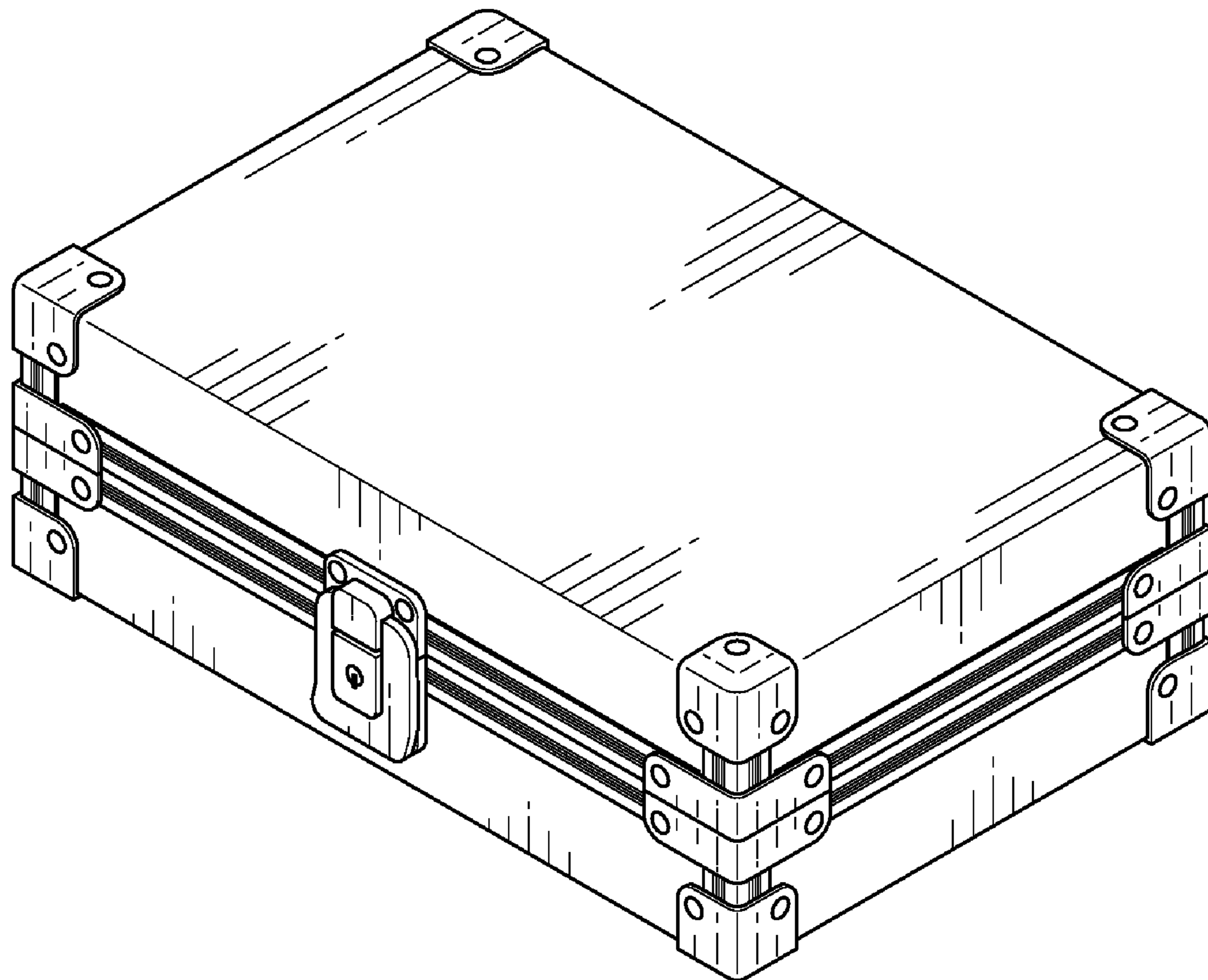
FIG. 4 is a side elevation view thereof;

FIG. 5 is an opposite side elevation view thereof;

FIG. 6 is a top plan view thereof; and,

FIG. 7 is a bottom plan view thereof.

1 Claim, 4 Drawing Sheets



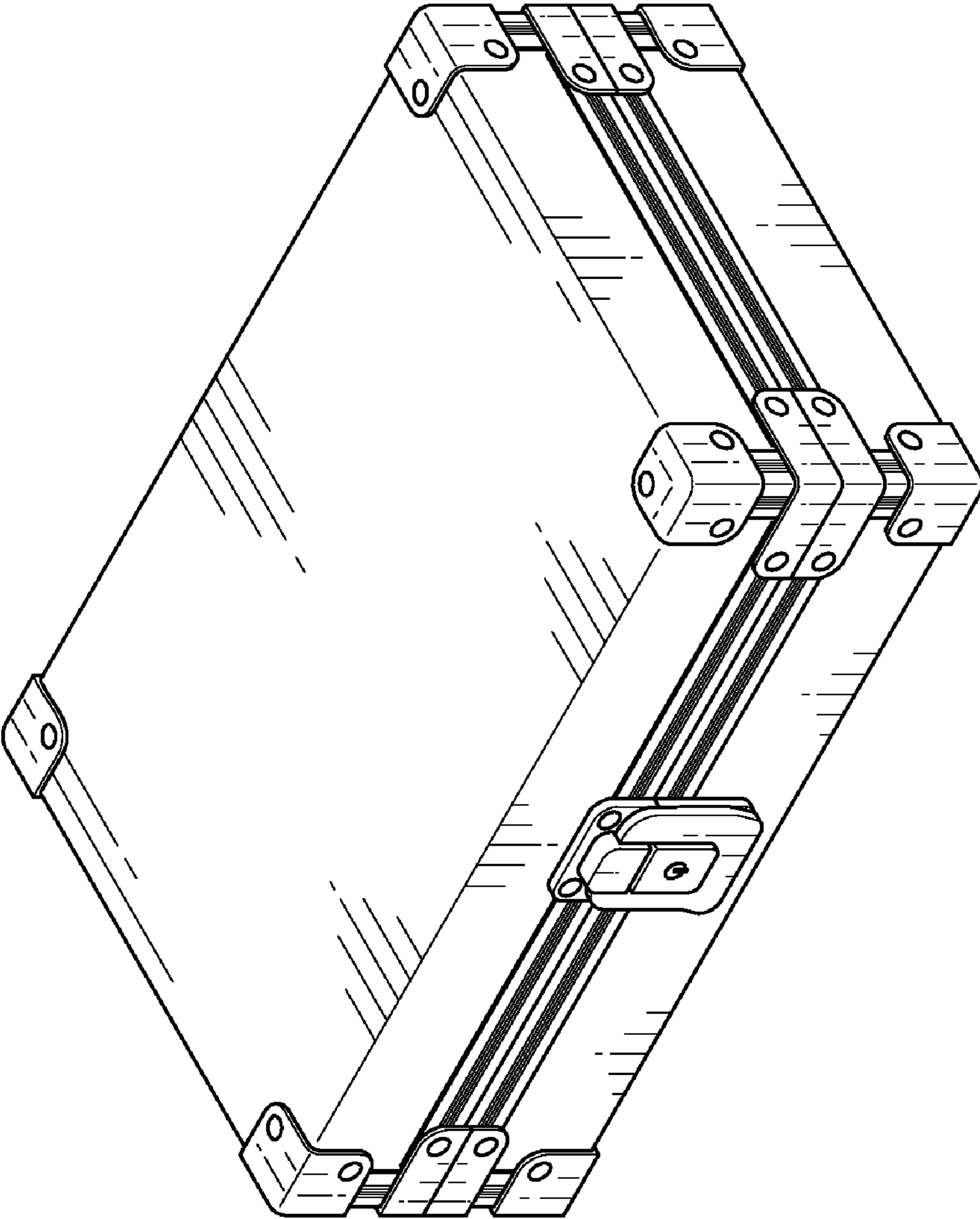


FIG.1

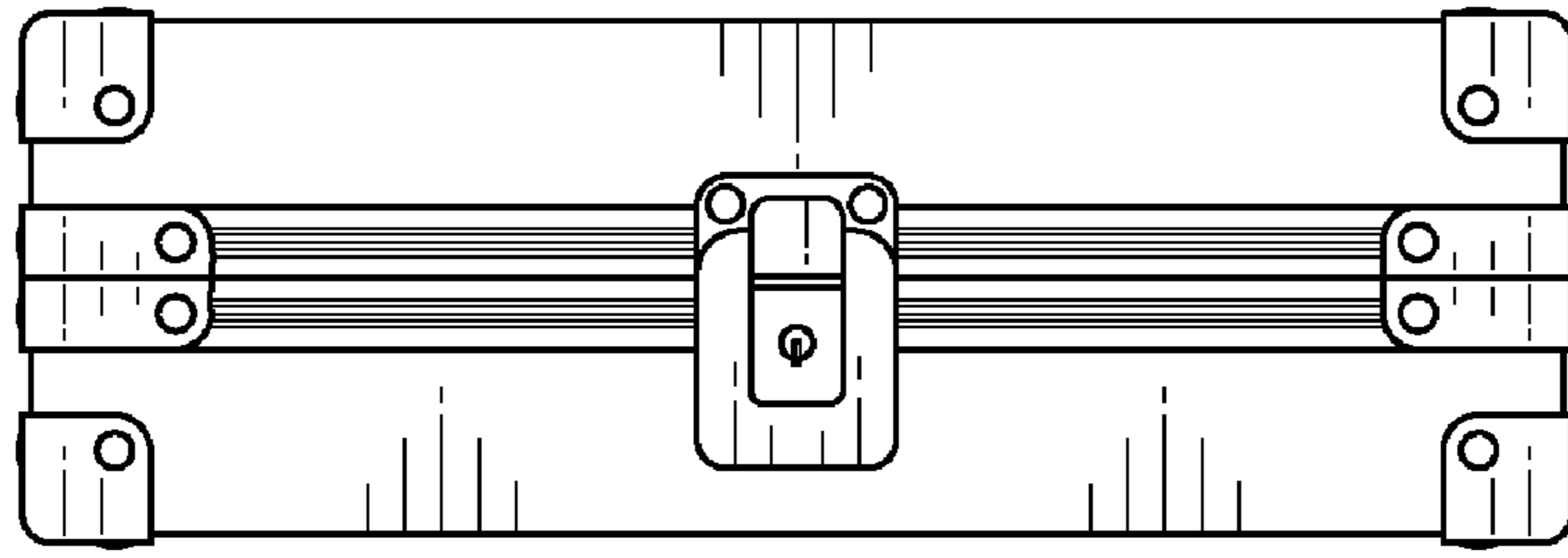


FIG. 2

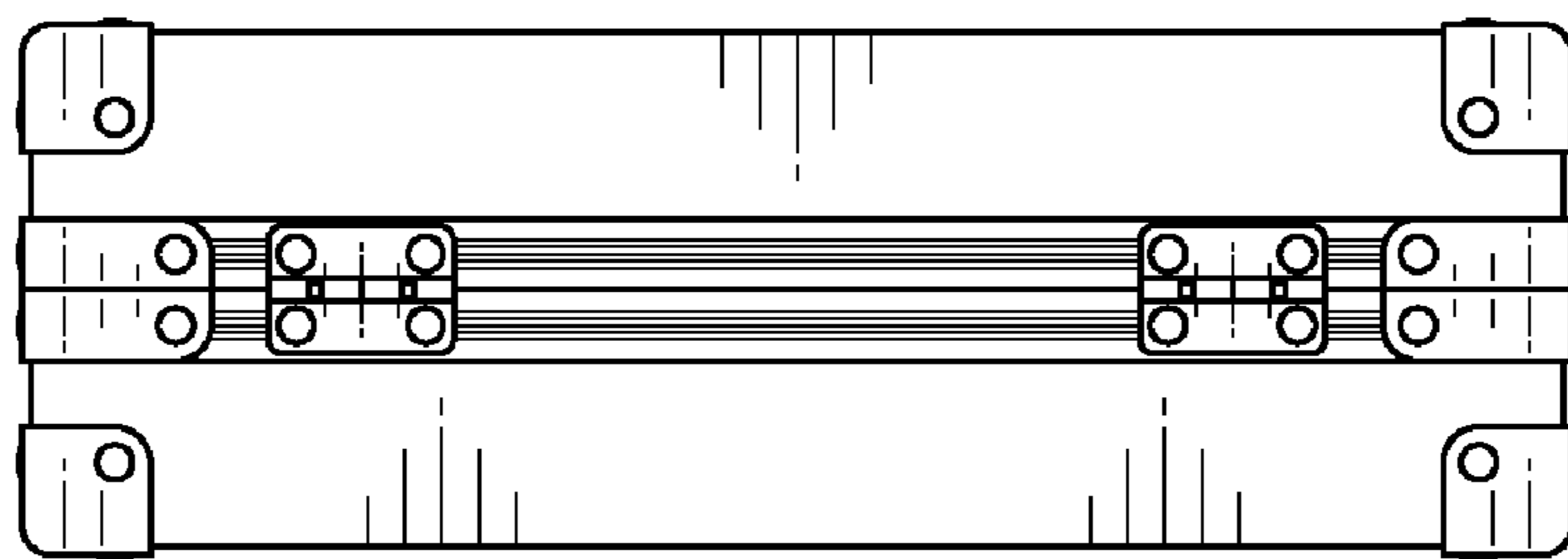


FIG. 3

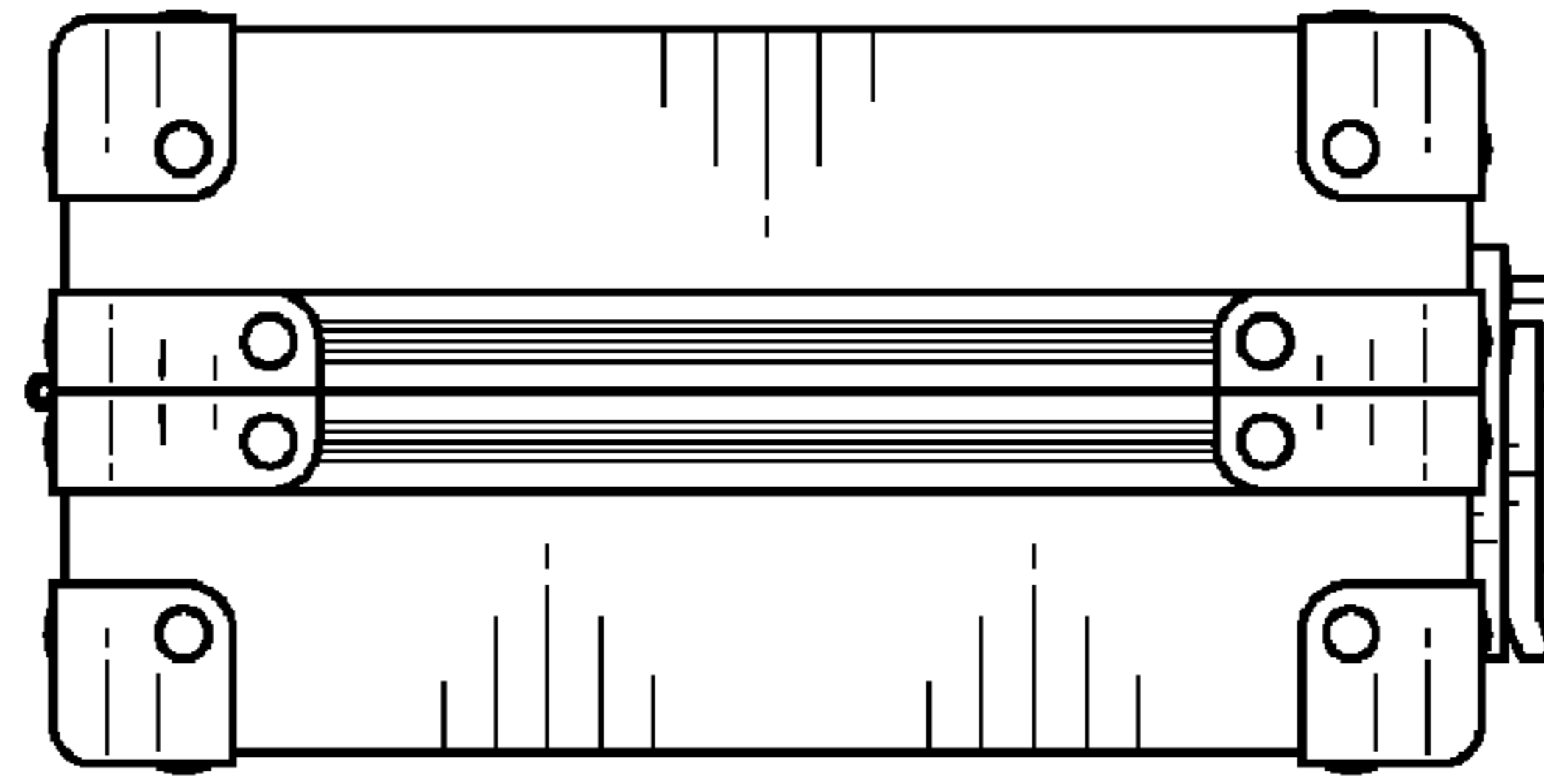


FIG. 4

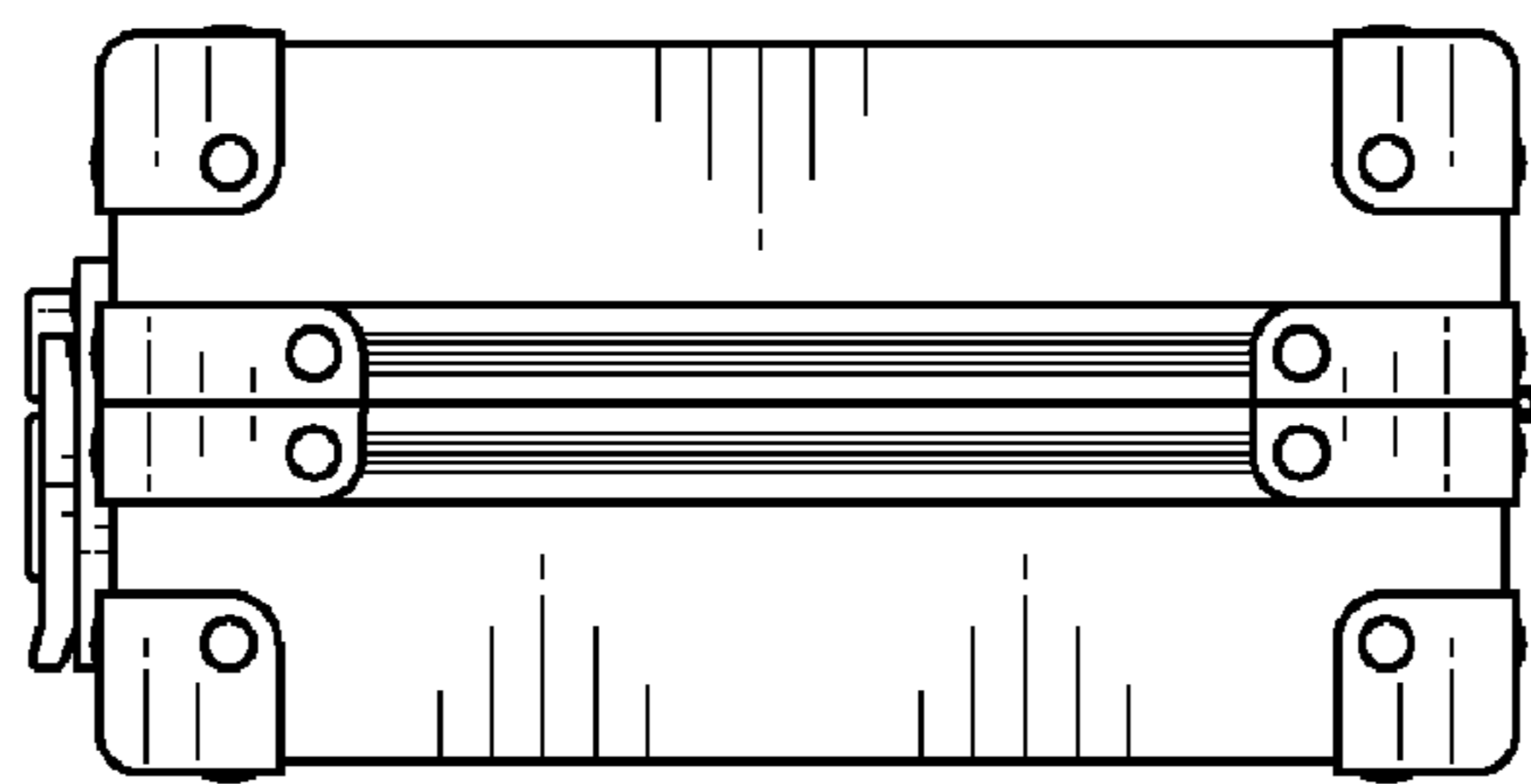


FIG. 5

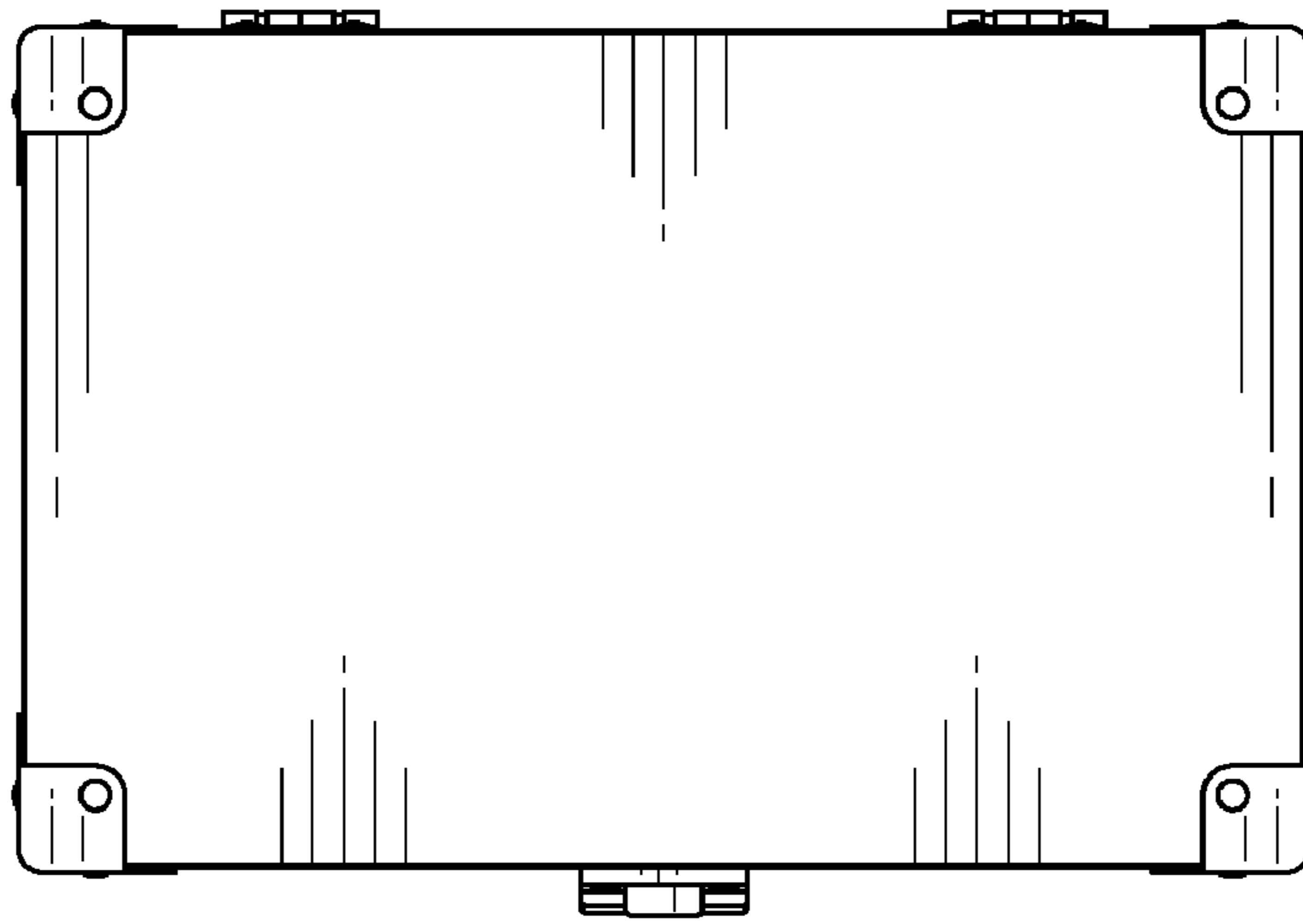


FIG. 6

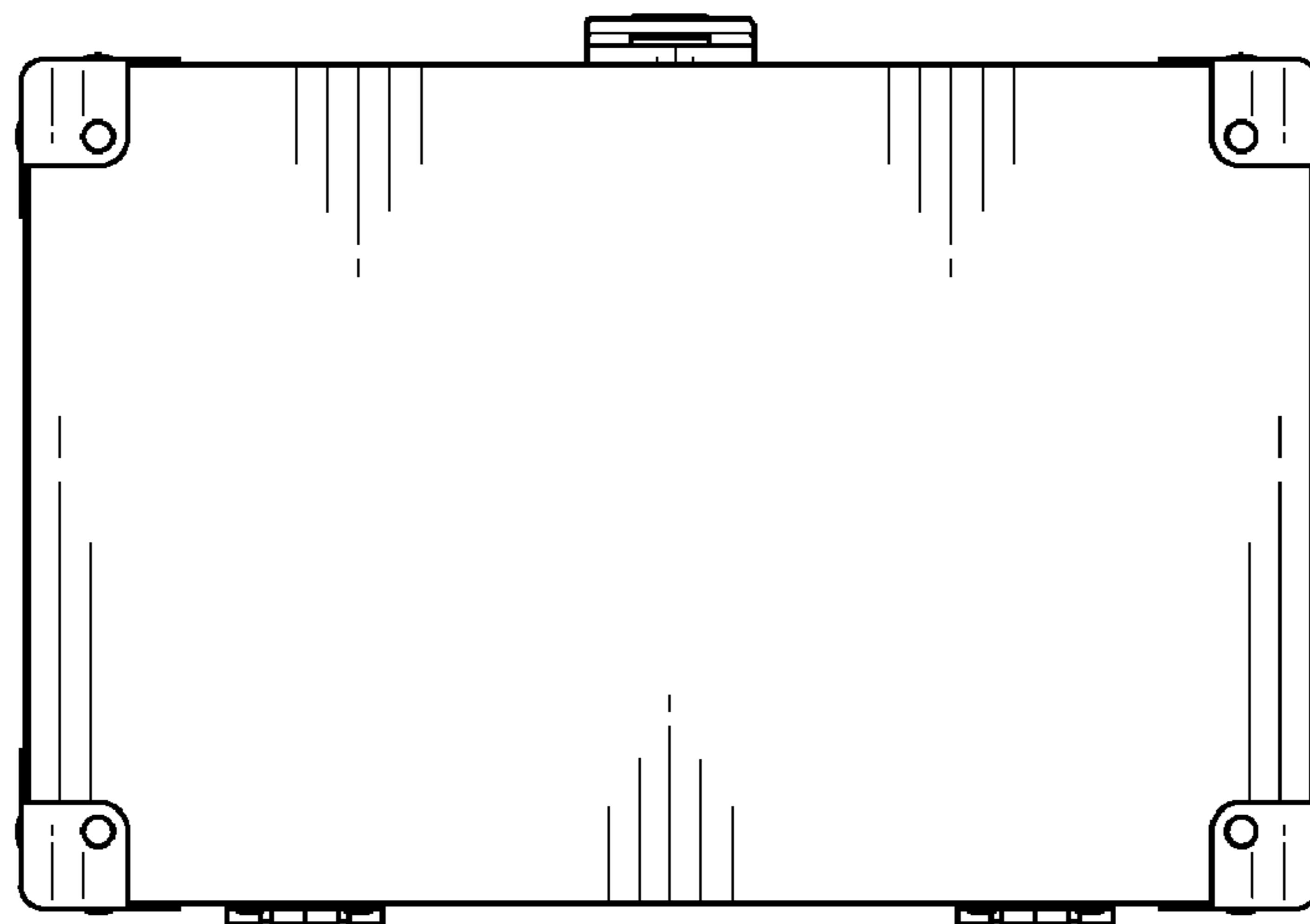


FIG. 7