



US00D619805S

(12) **United States Design Patent**
Leung

(10) **Patent No.:** **US D619,805 S**
(45) **Date of Patent:** **** Jul. 20, 2010**

(54) **CARRIER**

(75) Inventor: **Y. K. Leung**, San Po Kong Kowloon (HK)

(73) Assignee: **ExpoGraf CardKeep International AB**, Grabo (SE)

(**) Term: **14 Years**

(21) Appl. No.: **29/339,190**

(22) Filed: **Jun. 25, 2009**

(30) **Foreign Application Priority Data**

Jan. 16, 2009 (EM) 001078976-0001
Jan. 16, 2009 (EM) 001078976-0002
Jan. 16, 2009 (EM) 001078976-0003

(51) **LOC (9) Cl.** **03-01**

(52) **U.S. Cl.** **D3/238**

(58) **Field of Classification Search** D3/232-234,
D3/238, 240-246, 318, 324; 150/100, 103-110,
150/113-114, 118-119

See application file for complete search history.

(56) **References Cited**

U.S. PATENT DOCUMENTS

D302,766 S * 8/1989 Johnston D3/233
D585,641 S * 2/2009 Maxwell D3/232

* cited by examiner

Primary Examiner—Holly H Baynham

(74) *Attorney, Agent, or Firm*—Quarles & Brady LLP

(57) **CLAIM**

The ornamental design for a carrier, as shown and described.

DESCRIPTION

FIG. 1 is a left, top, front perspective view of a carrier embodying my new design;

FIG. 2 is a front elevational view thereof, the rear elevational view thereof being a mirror image of the front view shown;

FIG. 3 is a left side elevational view thereof;

FIG. 4 is a right side elevational view thereof;

FIG. 5 is a top plan view thereof;

FIG. 6 is bottom plan view thereof;

FIG. 7 is a left, top, front perspective view of a carrier according to another embodiment of my new design;

FIG. 8 is a front elevational view thereof, the rear elevational view thereof being a mirror image of the front view shown;

FIG. 9 is a left side elevational view thereof;

FIG. 10 is a right side elevational view thereof;

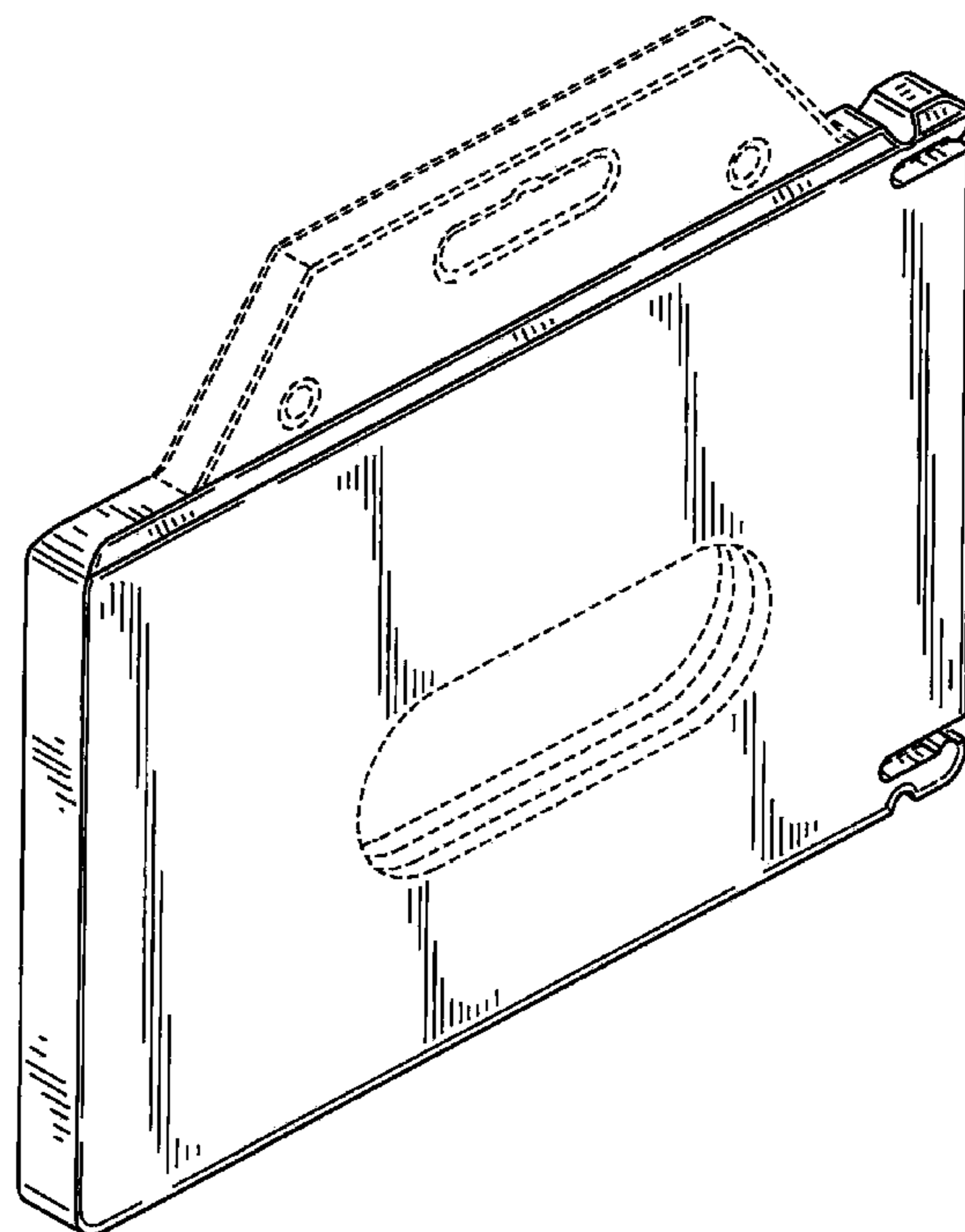
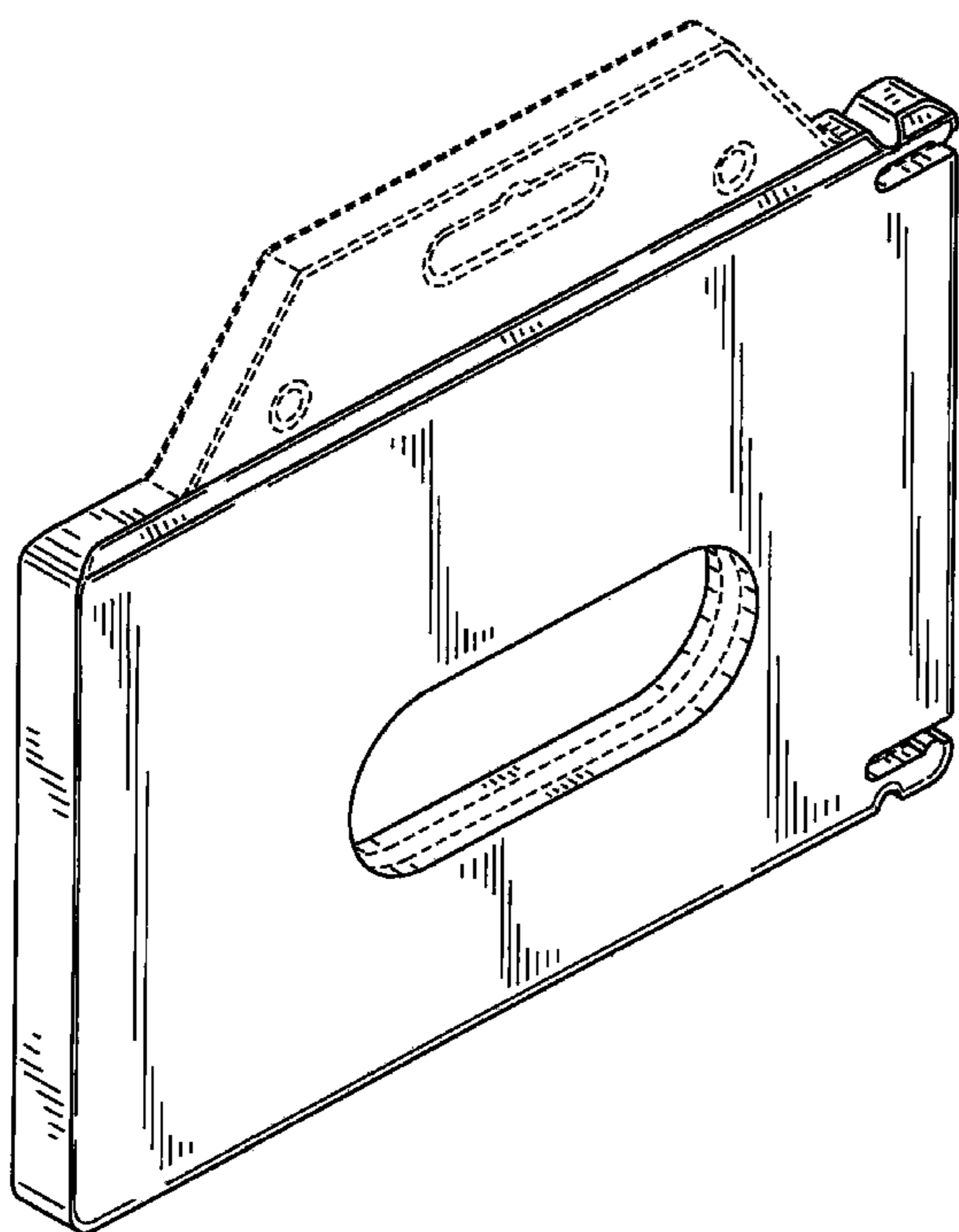
FIG. 11 is a top plan view thereof; and,

FIG. 12 is bottom plan view thereof.

The broken line representations in the figures are for the purpose of illustration only, and form no part of the claimed design.

In a preferred embodiment, the nature of this product is a carrier which is primarily useful for carrying and safe-keeping cards, such as business cards and the like.

1 Claim, 8 Drawing Sheets



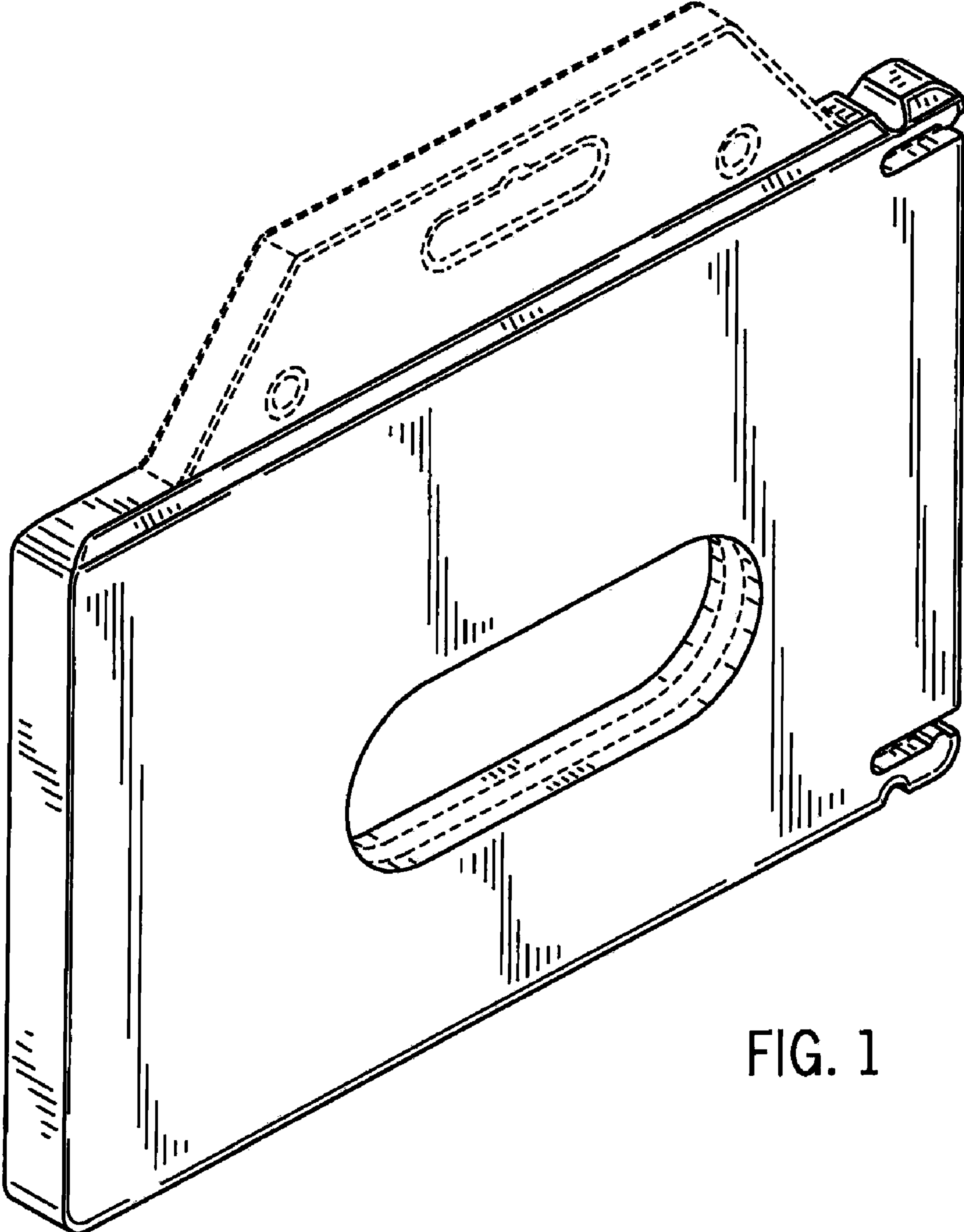


FIG. 1

FIG. 2

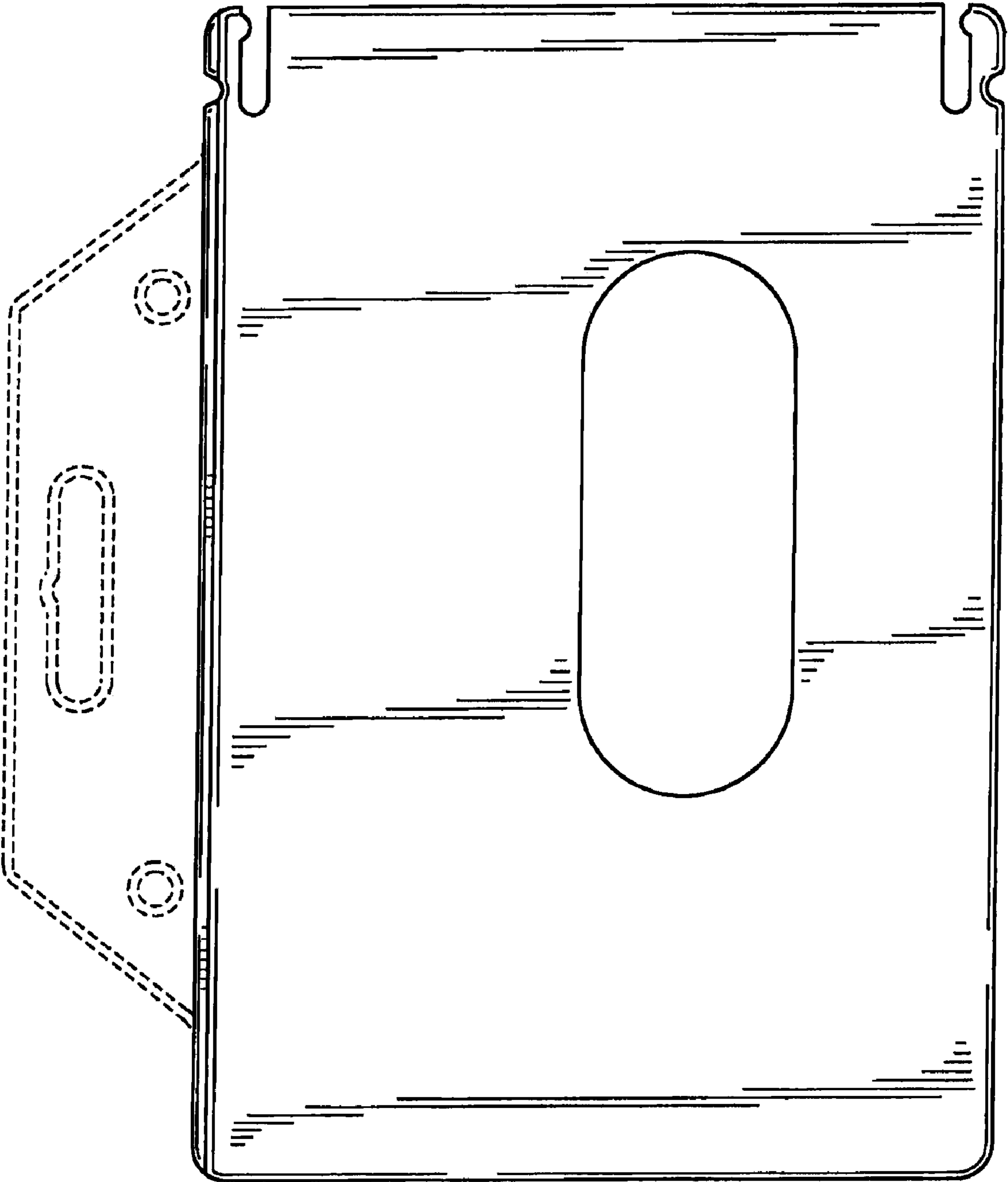


FIG. 4

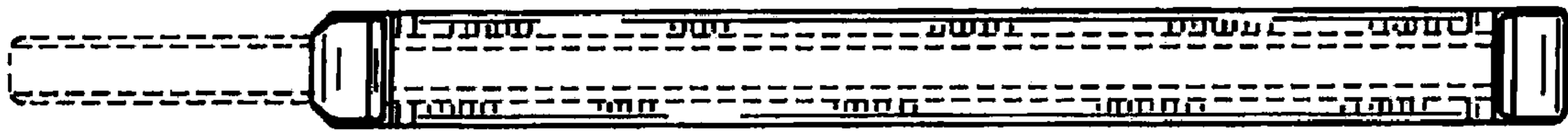


FIG. 3



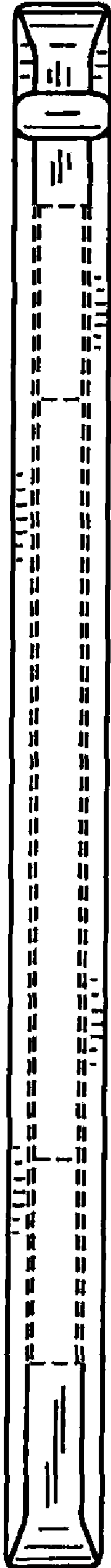


FIG. 5



FIG. 6

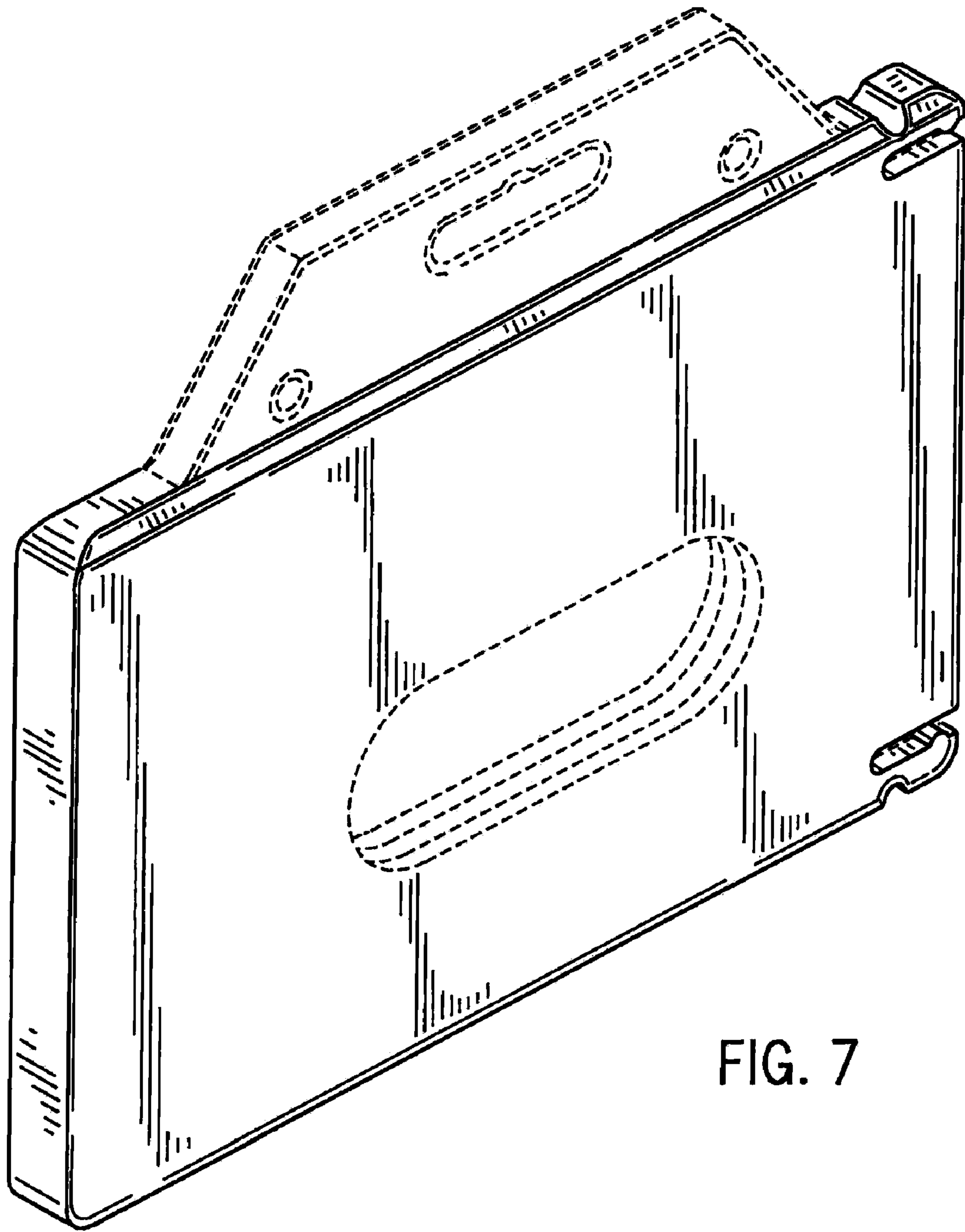


FIG. 7

FIG. 8

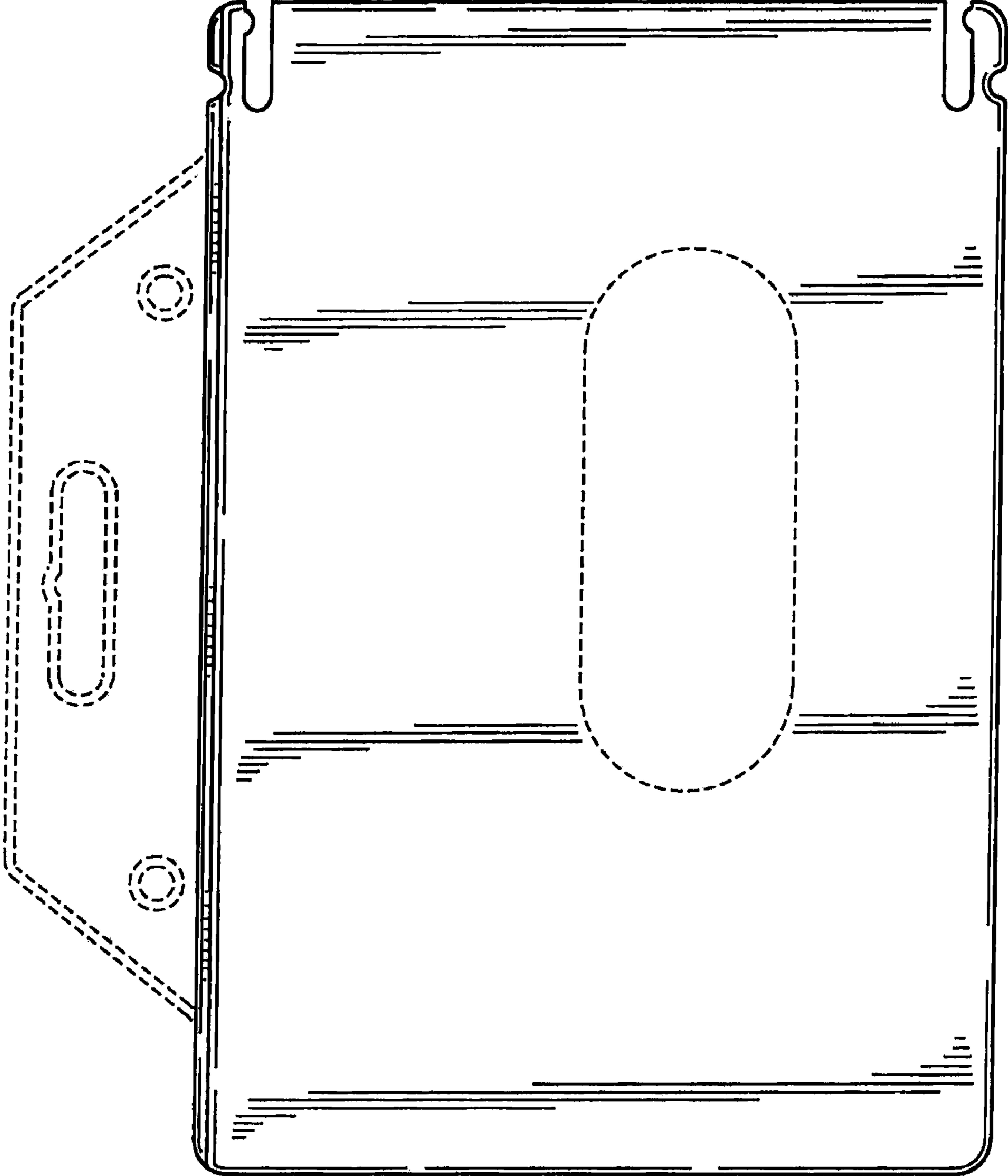


FIG. 10

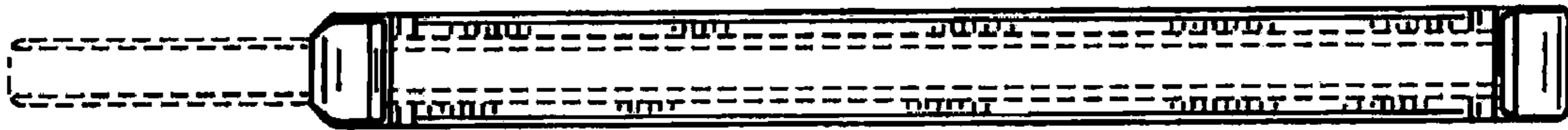


FIG. 9



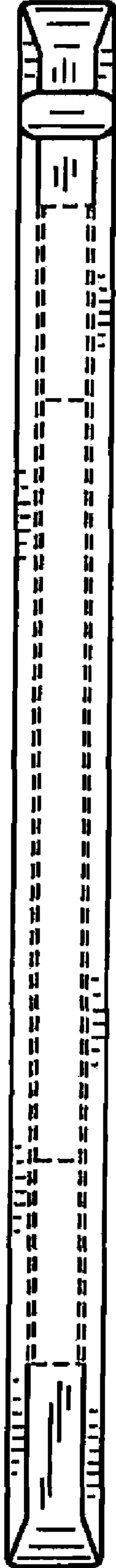


FIG. 11

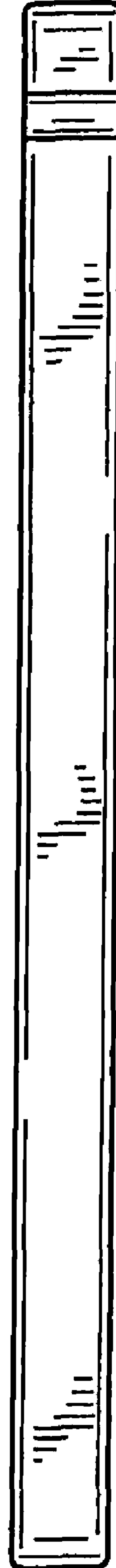


FIG. 12