



US00D619804S

(12) **United States Design Patent**
Gilkeson

(10) **Patent No.:** **US D619,804 S**

(45) **Date of Patent:** **** Jul. 20, 2010**

(54) **TACTICAL KNIFE POCKET**

(76) **Inventor:** **Steven Miller Gilkeson**, 7108
Crossroads Blvd., Suite 320, Brentwood,
TN (US) 37027

(**) **Term:** **14 Years**

(21) **Appl. No.:** **29/315,185**

(22) **Filed:** **Jun. 3, 2009**

(51) **LOC (9) Cl.** **03-01**

(52) **U.S. Cl.** **D3/220**

(58) **Field of Classification Search** D3/220,
D3/224, 226, 215, 228, 221; 224/231-232,
224/240, 245, 241, 904, 674-675, 677, 684,
224/235, 587, 663, 681-683

See application file for complete search history.

(56) **References Cited**

U.S. PATENT DOCUMENTS

1,493,594	A *	5/1924	Binns	224/677
3,938,720	A *	2/1976	Vela	224/222
4,356,943	A *	11/1982	Berman	224/222
D293,392	S *	12/1987	Lindon	D3/226
D370,120	S *	5/1996	Teraoka	D3/220
D440,041	S *	4/2001	Fermin	D3/226
D455,257	S *	4/2002	Buthion	D3/220
D561,465	S *	2/2008	Cundiff	D3/226

* cited by examiner

Primary Examiner—Catherine R Oliver

(74) *Attorney, Agent, or Firm*—David D. Winters

(57) **CLAIM**

The ornamental design for tactical knife pocket, as shown and described.

DESCRIPTION

FIG. 1 is a top view of the tactical knife pocket wherein broken lines depict matter not claimed.

FIG. 2 is a front view of the tactical knife pocket wherein broken lines depict matter not claimed.

FIG. 3 is a bottom view of the tactical knife pocket wherein broken lines depict matter not claimed.

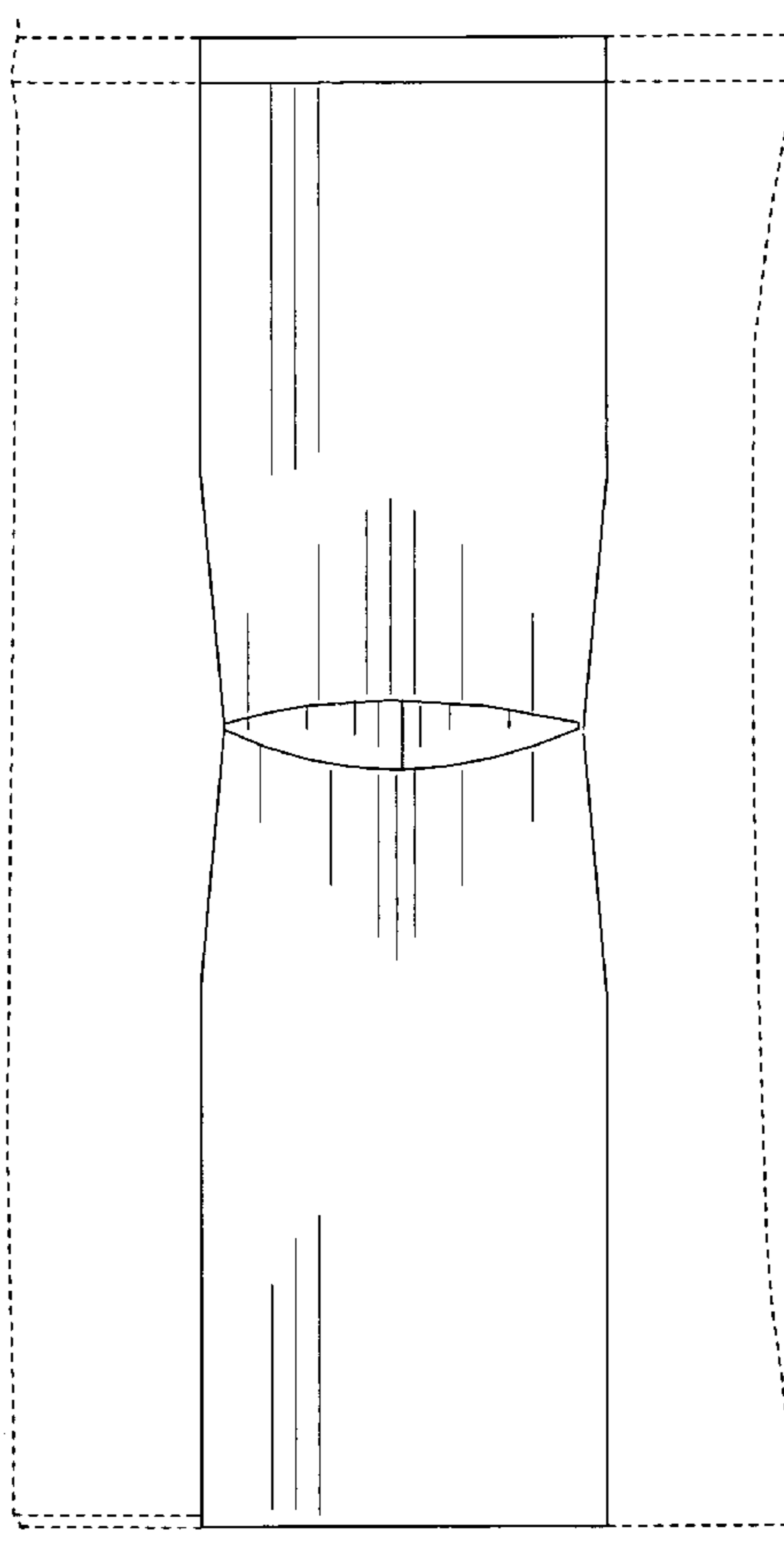
FIG. 4 is a right side view of the tactical knife pocket. The left side view being a mirror image thereof.

FIG. 5 is a rear view of the tactical knife pocket.

FIG. 6 is a front view of the tactical knife pocket in relation with trousers wherein broken lines depict unclaimed matter; and,

FIG. 7 is a front view of the tactical knife pocket open wherein broken lines depict matter not claimed.

1 Claim, 4 Drawing Sheets



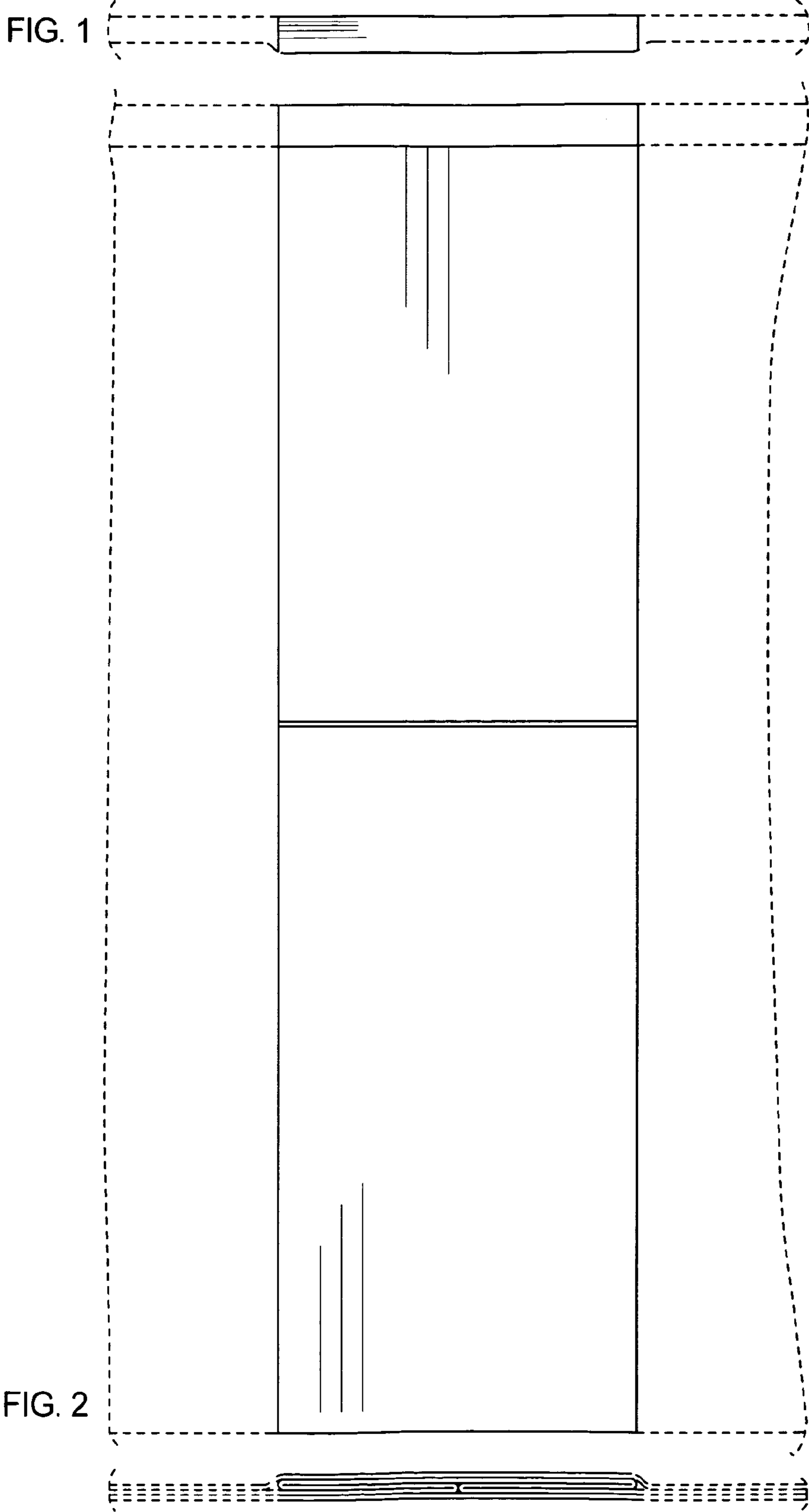


FIG. 1

FIG. 2

FIG. 3

FIG. 4

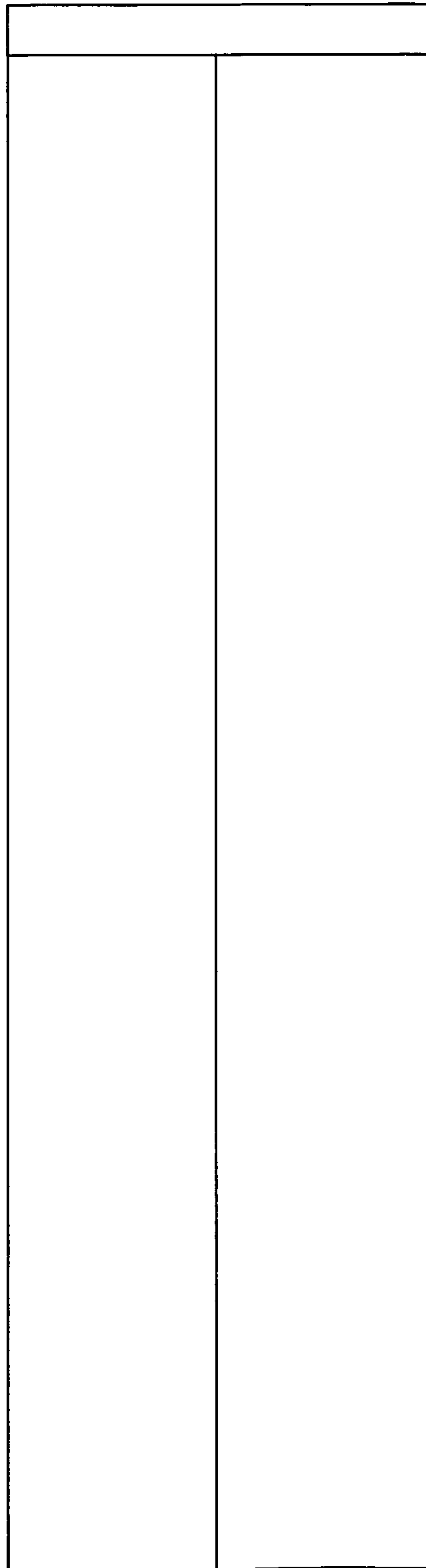


FIG.5

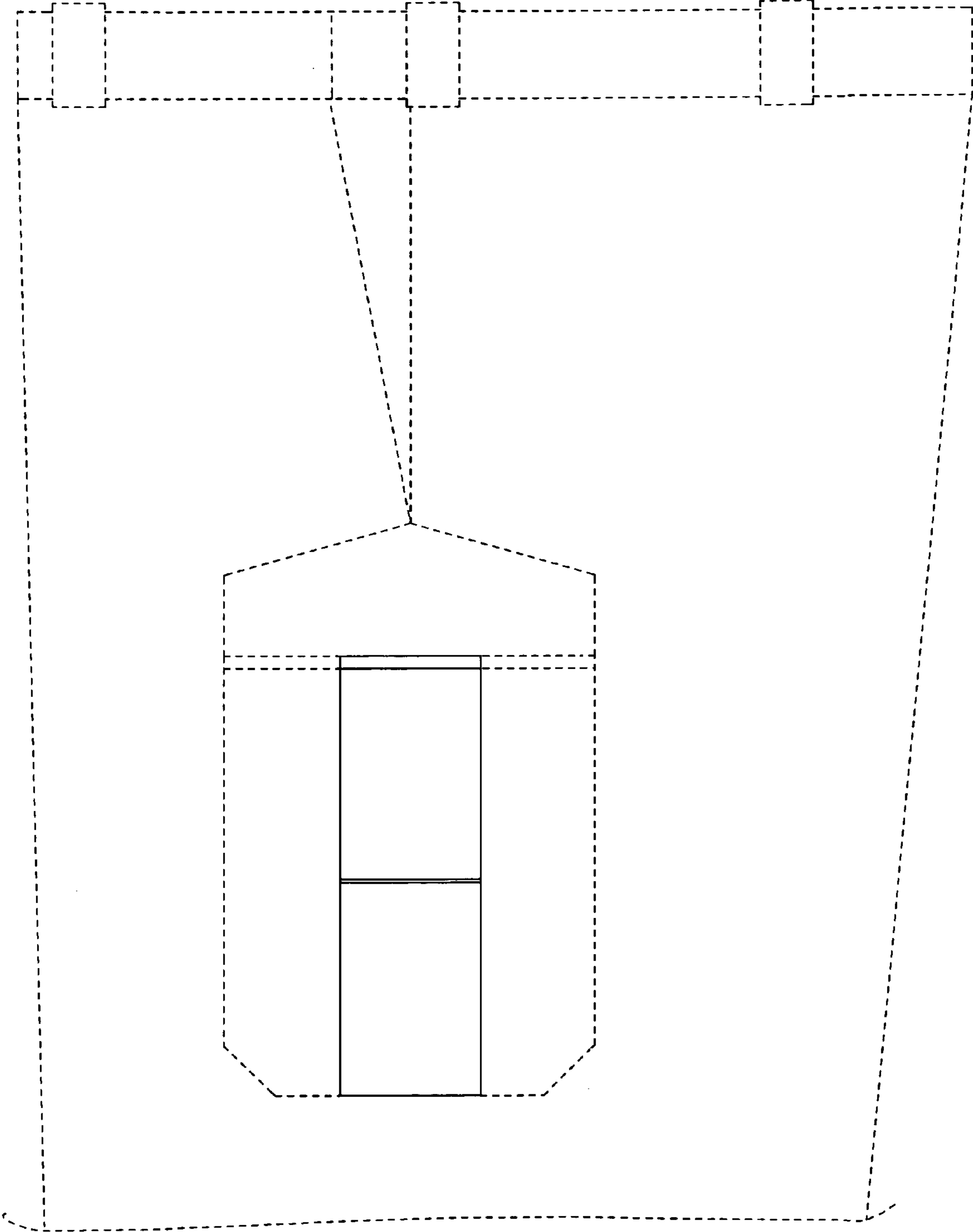


FIG. 6

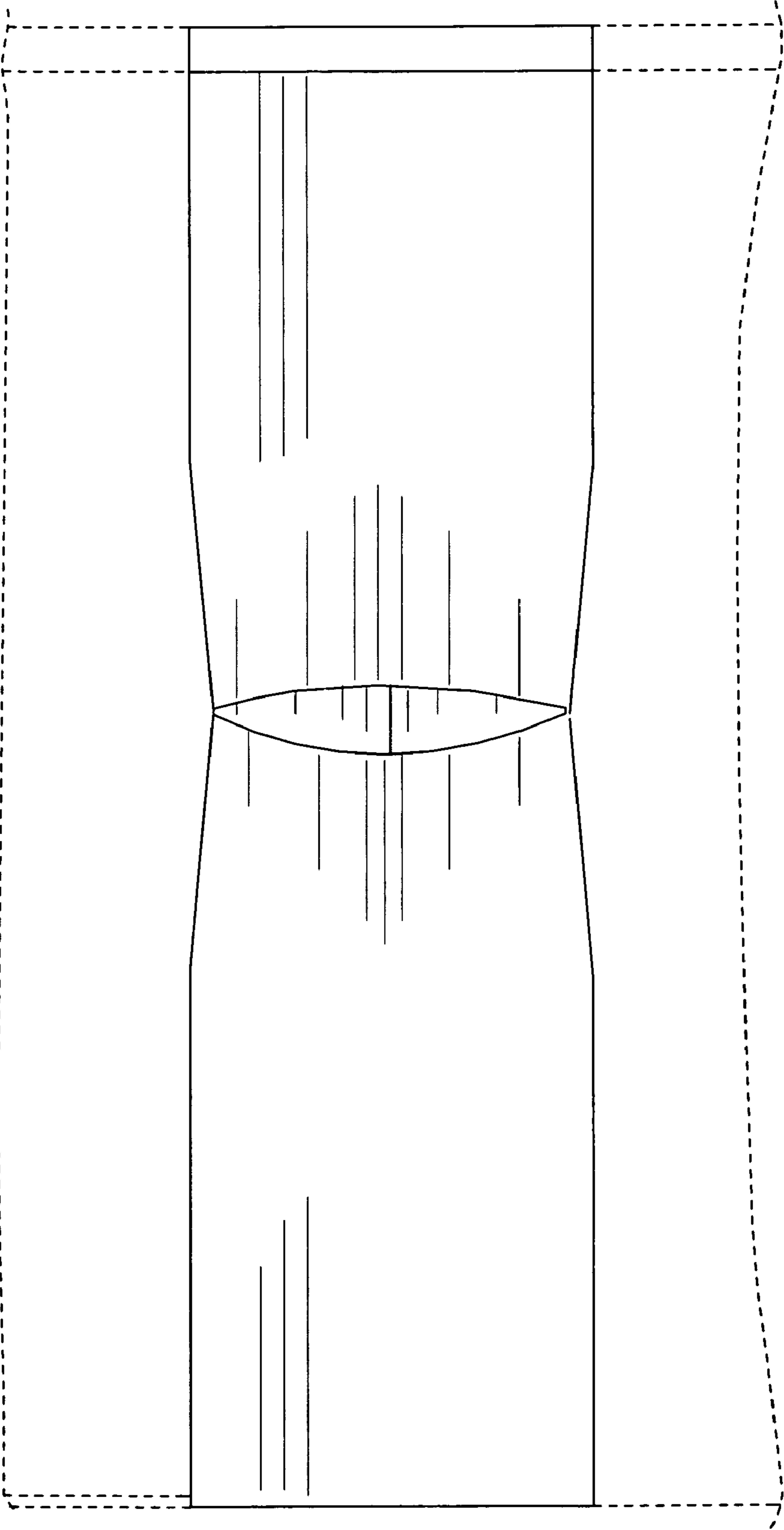


FIG. 7