



US00D619803S

(12) **United States Design Patent**
Fuller

(10) **Patent No.:** **US D619,803 S**

(45) **Date of Patent:** **** Jul. 20, 2010**

(54) **CELL PHONE AND HEADSET HOLSTER COMBINATION**

D606,740 S * 12/2009 Fahrendorff et al. D3/218

* cited by examiner

(76) Inventor: **Mishelle Fuller**, 640 Kenton Ct.,
Atlanta, GA (US) 30331

Primary Examiner—Catherine R Oliver
(74) *Attorney, Agent, or Firm*—Donald Grant Kelly

(**) Term: **14 Years**

(57) **CLAIM**

(21) Appl. No.: **29/347,110**

The ornamental design for the cell phone and headset holster combination, as shown and described.

(22) Filed: **Sep. 24, 2009**

(51) **LOC (9) Cl.** **03-01**

(52) **U.S. Cl.** **D3/218**

(58) **Field of Classification Search** D3/218,
D3/215, 201, 219, 224, 226, 228, 269, 205;
224/240–241, 245, 578, 674, 676–681, 901,
224/904; 206/305, 320; 455/42, 90, 92;
379/455; D14/138, 248, 250–251

See application file for complete search history.

DESCRIPTION

FIG. 1 is an isometric view of a cell phone and headset holster combination showing the new design;

FIG. 2 is a front elevation view thereof;

FIG. 3 is a rear elevation view thereof;

FIG. 4 is a top plan view thereof;

FIG. 5 is a bottom plan view thereof;

FIG. 6 is a side elevation view thereof, taken from the left side of FIG. 1;

FIG. 7 is a side elevation view thereof, taken from the right side of FIG. 1; and,

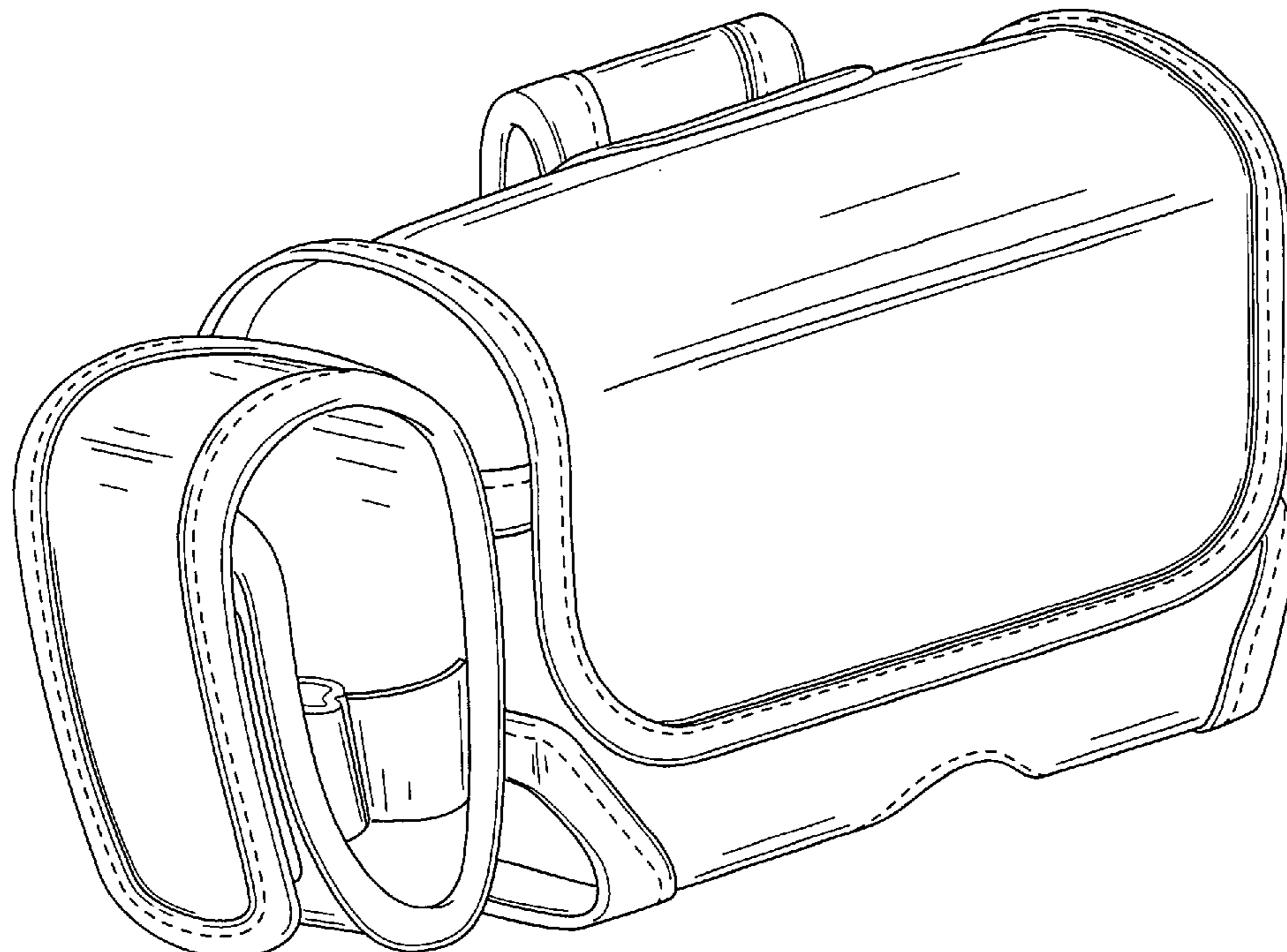
FIG. 8 is an isometric view of an alternative embodiment of a cell phone and headset holster combination showing the new design wherein the headset holster is alternatively located at the right side thereof.

(56) **References Cited**

U.S. PATENT DOCUMENTS

D515,807 S	2/2006	Faillace	
D543,023 S	5/2007	Han et al.	
D549,449 S	8/2007	Malhotra	
D550,954 S	9/2007	Boyd et al.	
D558,975 S	1/2008	Leo	
D561,463 S	2/2008	Malhotra	
D565,836 S *	4/2008	Wang	D3/201
D606,303 S *	12/2009	Fahrendorff et al.	D3/218

1 Claim, 7 Drawing Sheets



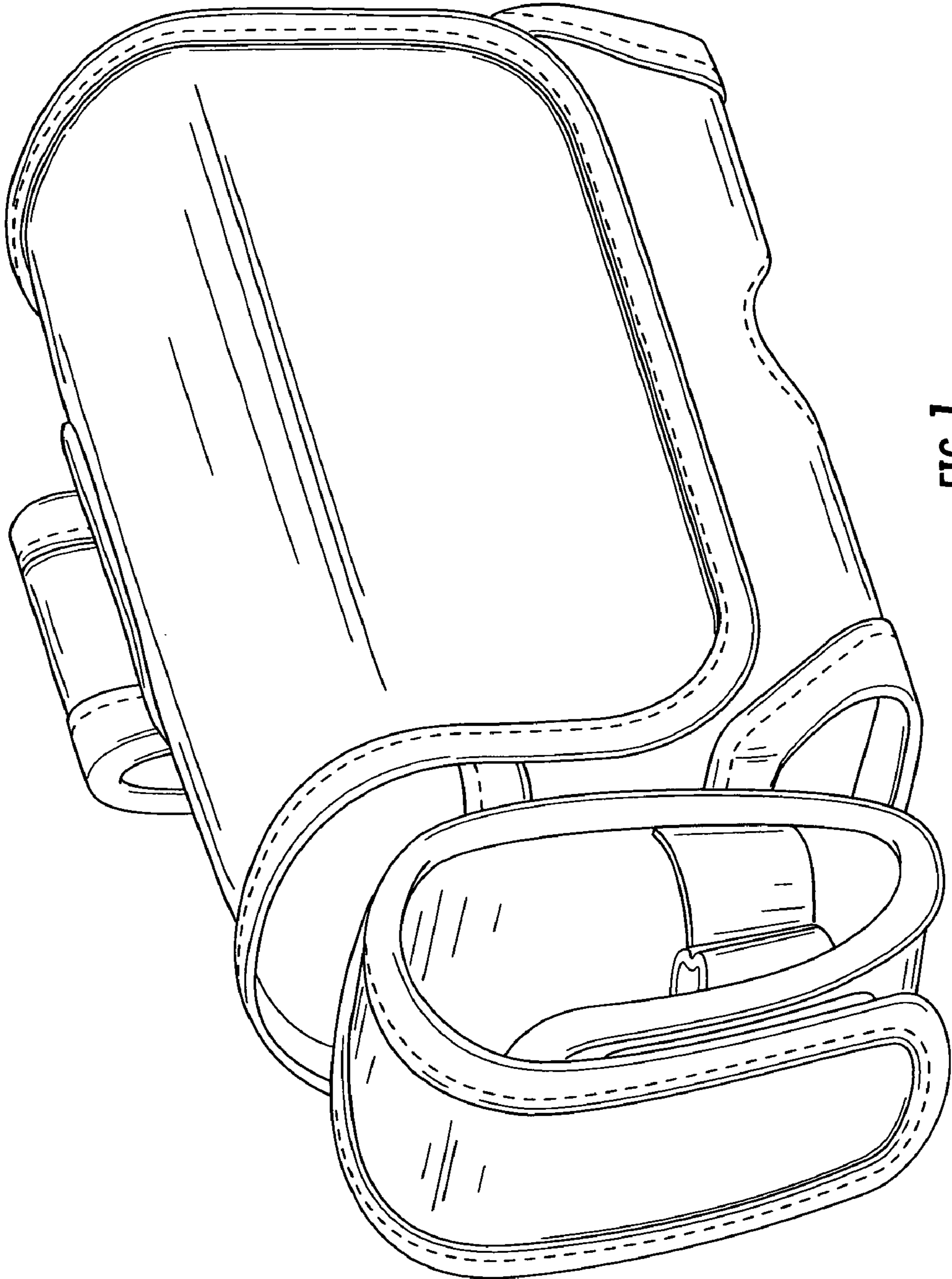


FIG. 1

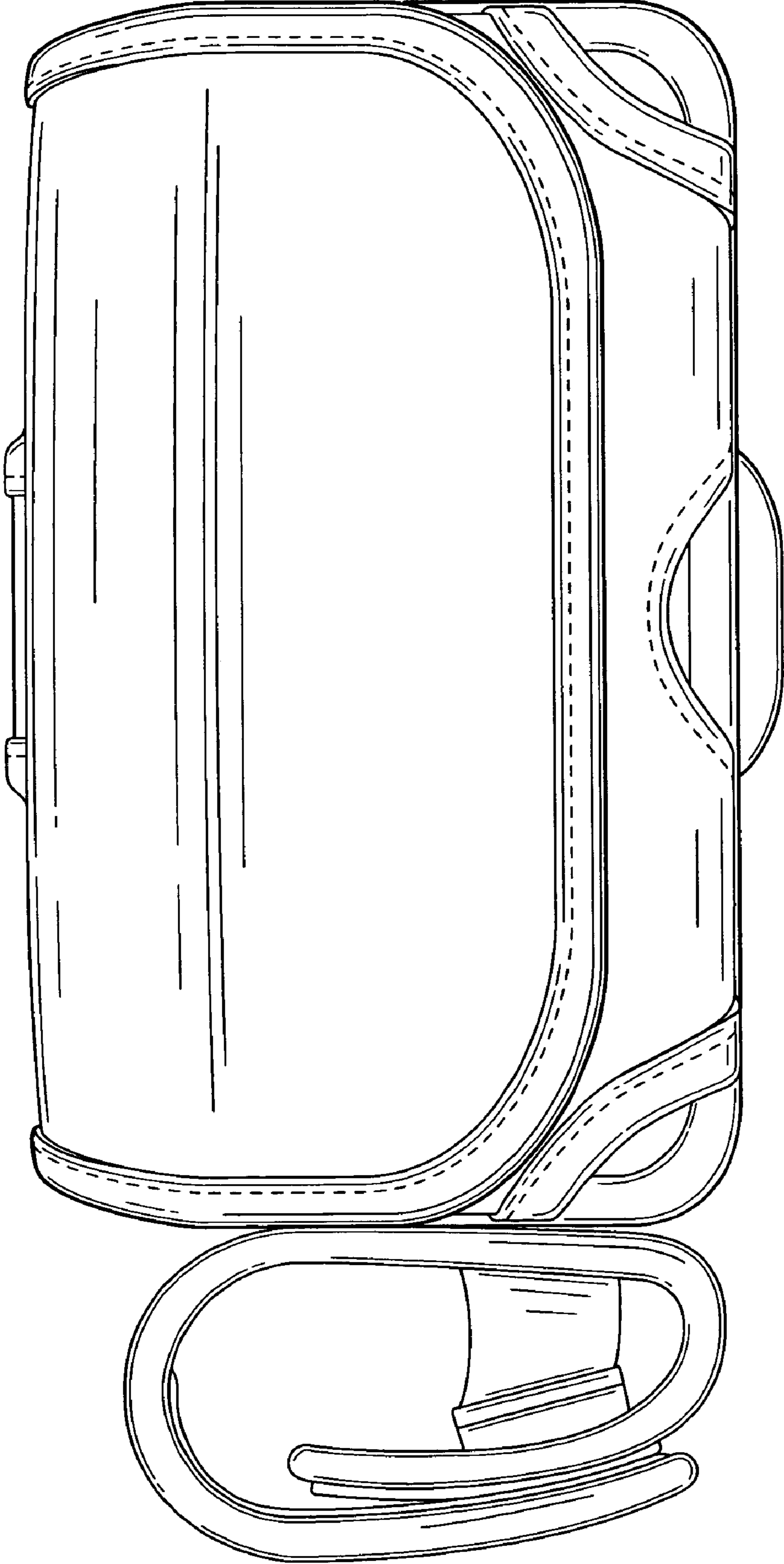


FIG. 2

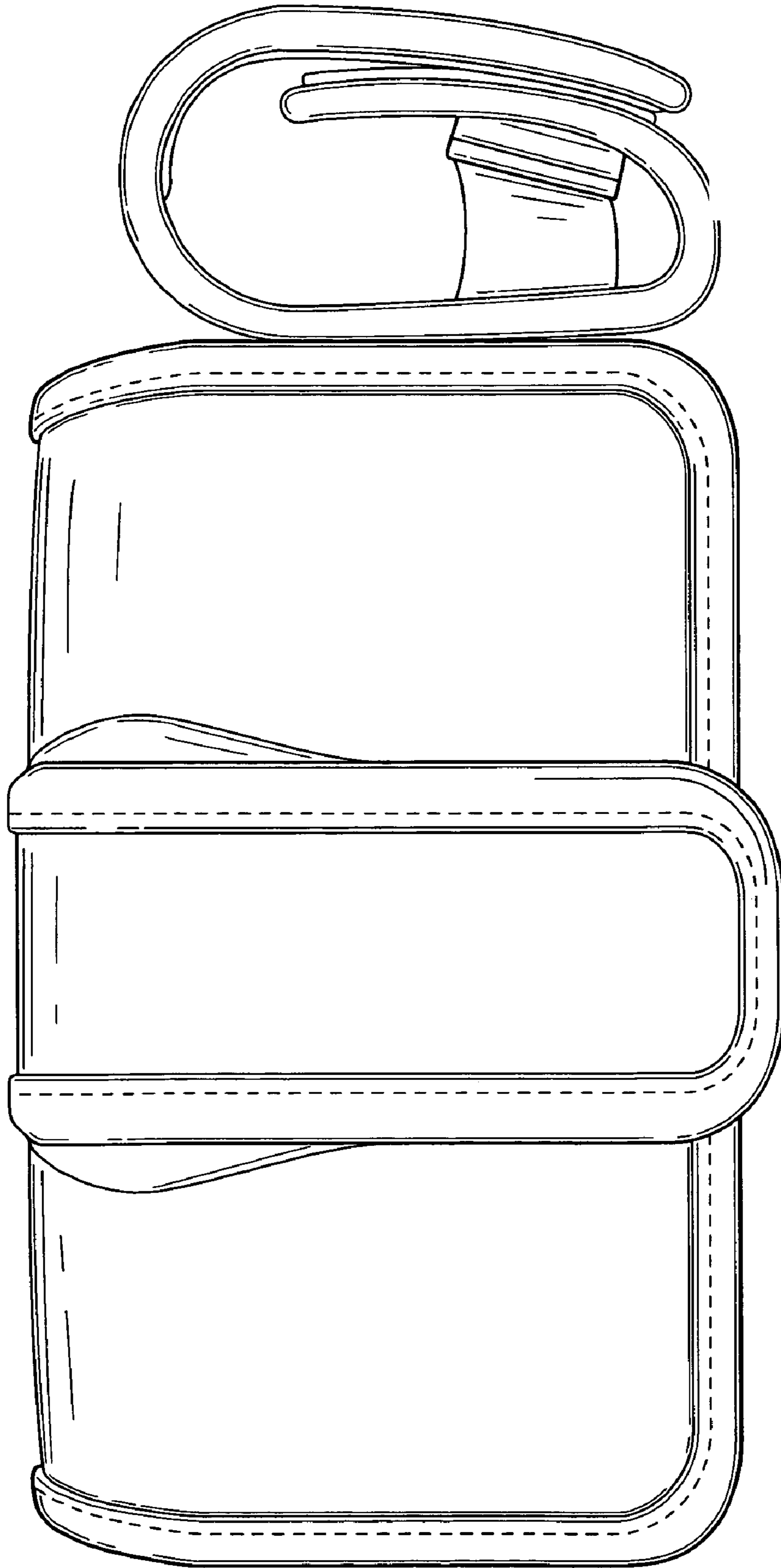


FIG. 3

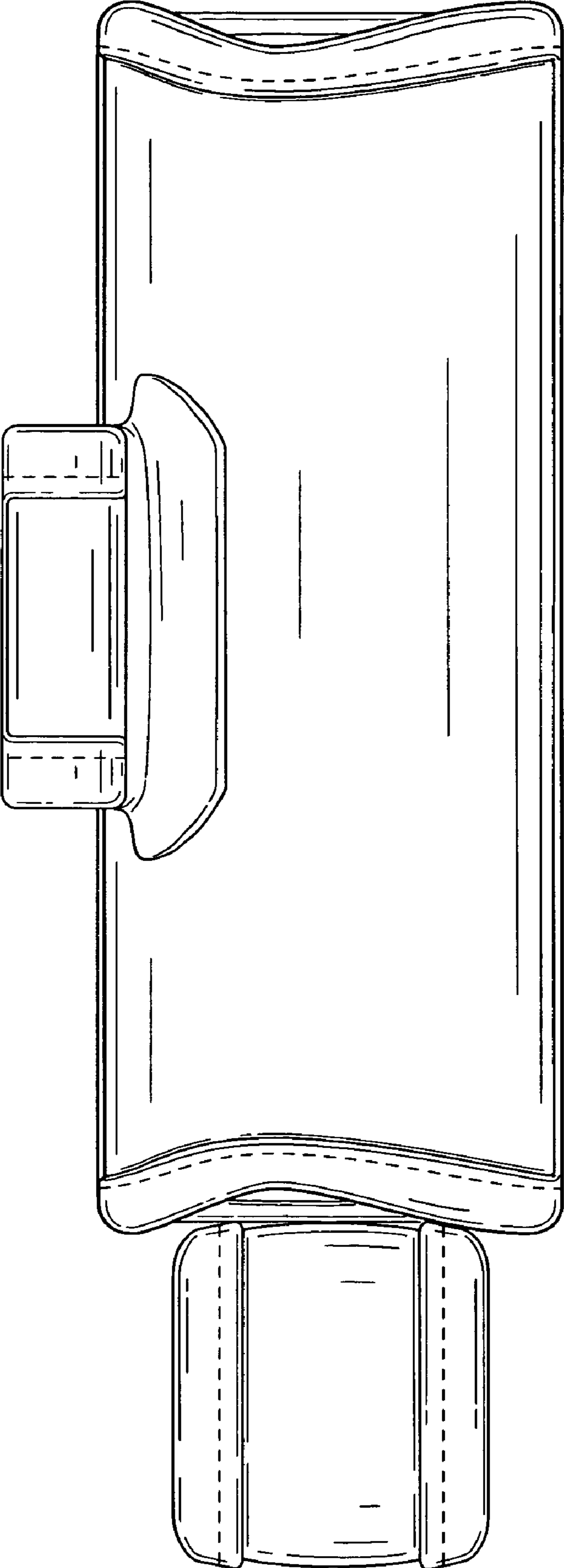


FIG. 4

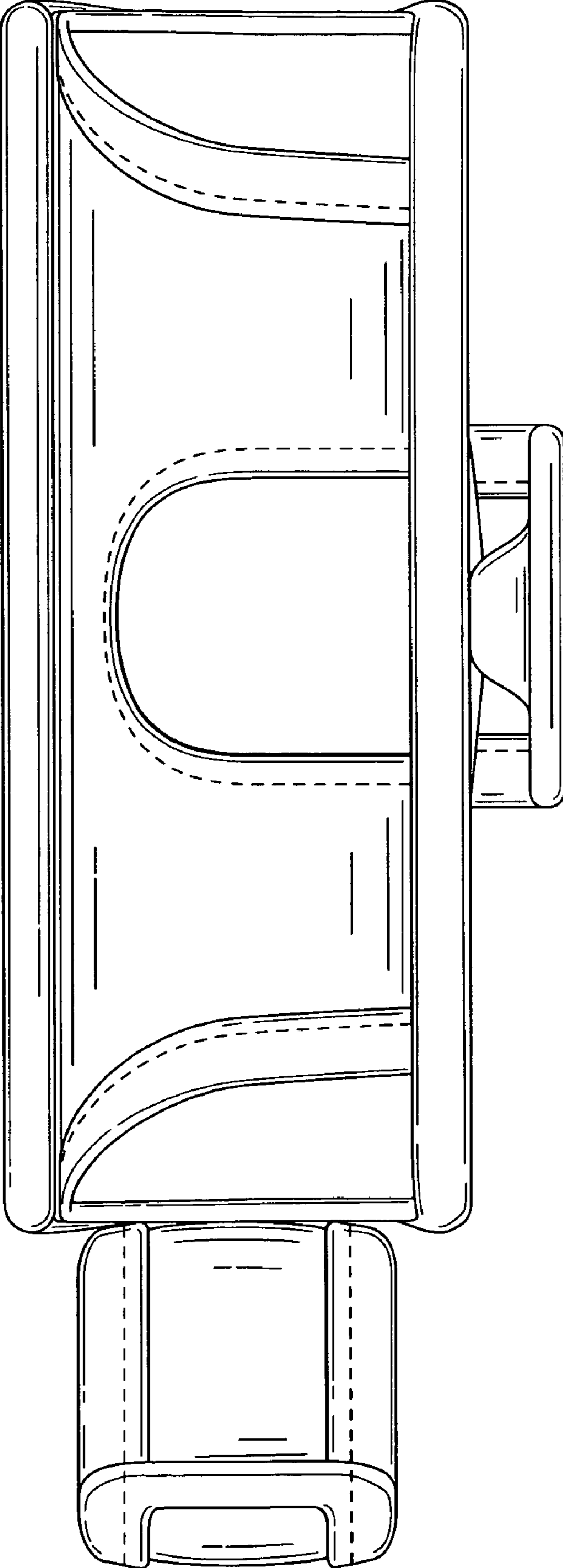


FIG. 5

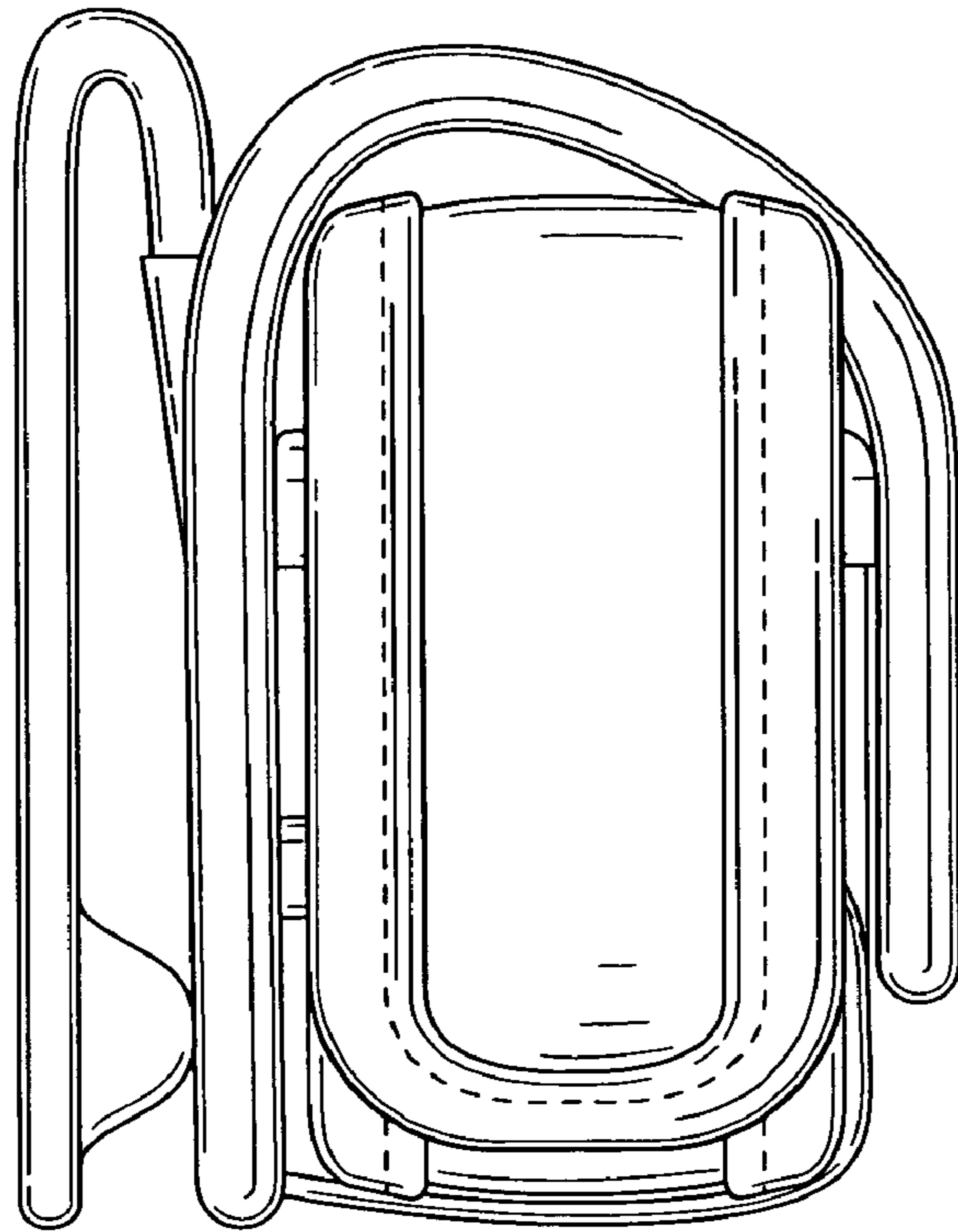


FIG. 6

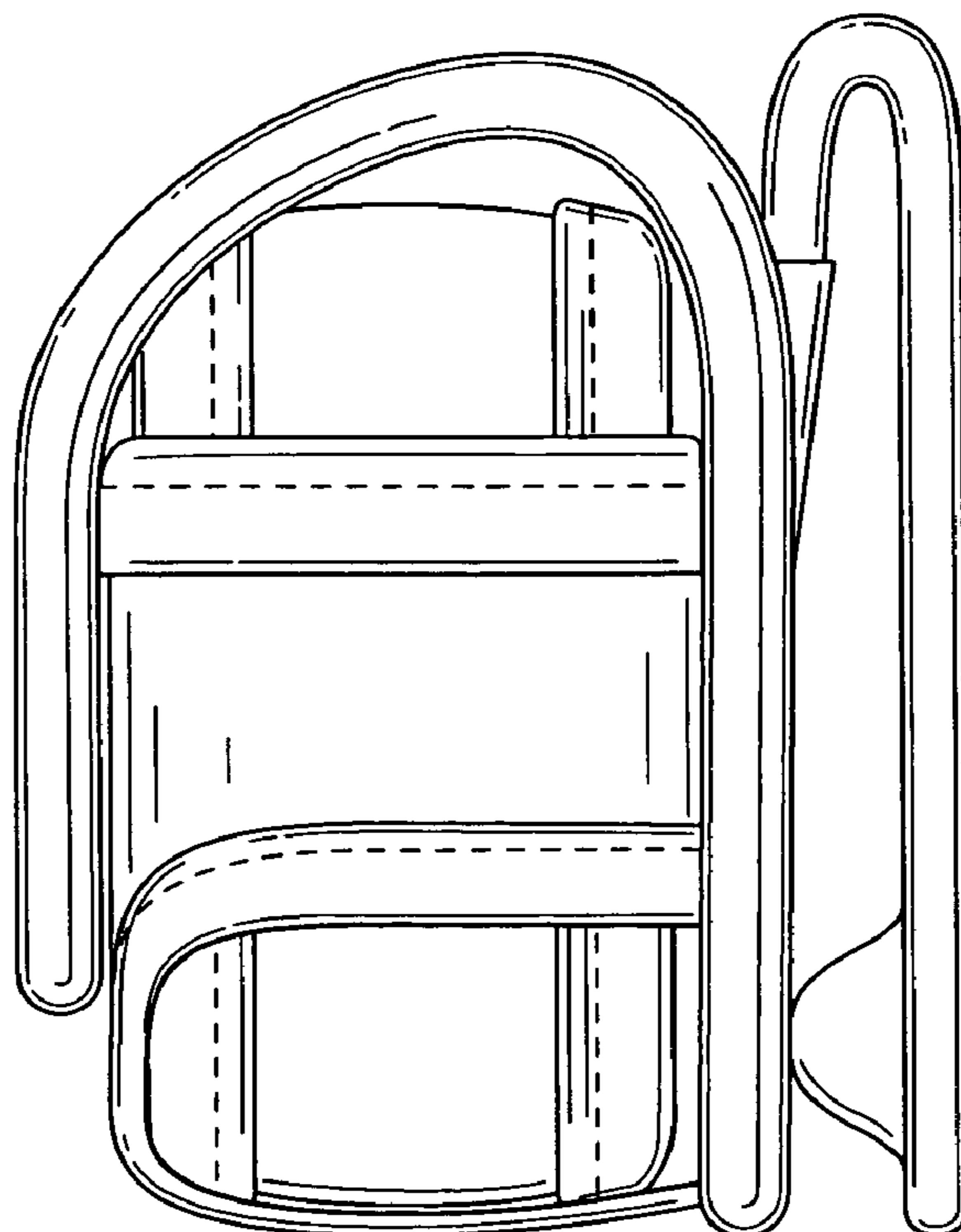


FIG. 7

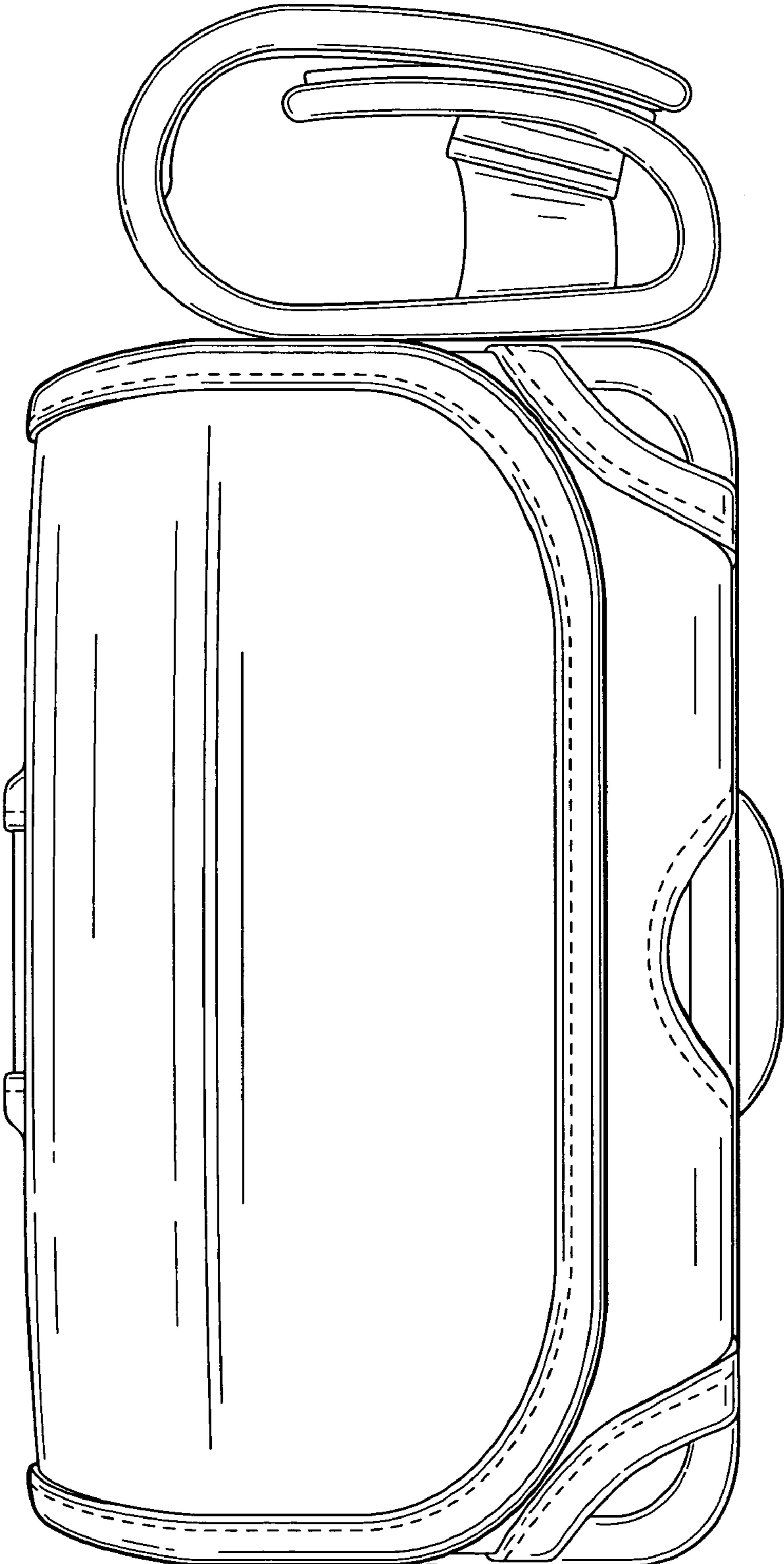


FIG. 8