



US00D619802S

(12) **United States Design Patent**  
**Hedaya**

(10) **Patent No.:** **US D619,802 S**  
(45) **Date of Patent:** **\*\* Jul. 20, 2010**

(54) **BACKPACK**

(75) Inventor: **Evan Hedaya**, Brooklyn, NY (US)

(73) Assignee: **Fast Forward LLC**, New York, NY (US)

(\*\*) Term: **14 Years**

(21) Appl. No.: **29/313,118**

(22) Filed: **Dec. 9, 2008**

(51) **LOC (9) Cl.** ..... **03-01**

(52) **U.S. Cl.** ..... **D3/216; D3/217**

(58) **Field of Classification Search** ..... D2/830;  
D3/214, 215, 216, 217, 270; 224/153, 577,  
224/578, 407; 128/202.22, 205.22, 128;  
D24/129 A

See application file for complete search history.

(56) **References Cited**

**U.S. PATENT DOCUMENTS**

D260,698	S *	9/1981	Fitzgerald et al.	.....	D3/217
D348,151	S *	6/1994	Acheson	.....	D3/217
D350,228	S *	9/1994	Poire	.....	D3/217
5,370,287	A *	12/1994	Cormier	.....	224/153
D355,758	S *	2/1995	Poire	.....	D3/217
D360,072	S *	7/1995	Poire	.....	D3/217
5,632,429	A *	5/1997	Cantwell	.....	224/630
5,676,293	A *	10/1997	Farris	.....	224/576
D405,850	S *	2/1999	Witkin	.....	D21/650
D425,697	S *	5/2000	Chapman	.....	D3/216
D433,800	S *	11/2000	Chapman	.....	D3/216
6,167,569	B1 *	1/2001	Conner, IV	.....	2/209.11
D438,700	S *	3/2001	Willingham et al.	.....	D3/216
D438,712	S *	3/2001	Chapman	.....	D3/217
D448,922	S *	10/2001	Willingham et al.	.....	D3/216
D448,923	S *	10/2001	Willingham et al.	.....	D3/216
D450,447	S *	11/2001	Willingham et al.	.....	D3/216
6,364,186	B1 *	4/2002	Gilmour et al.	.....	224/637
6,510,974	B2 *	1/2003	Willingham et al.	.....	224/657
D471,353	S *	3/2003	Ho	.....	D3/217
D482,924	S *	12/2003	Fung	.....	D6/632
D486,421	S *	2/2004	Weiser et al.	.....	D11/162
6,769,585	B2 *	8/2004	Santaniello et al.	.....	224/629

6,843,398	B2 *	1/2005	Zion	.....	224/576
D512,137	S *	11/2005	Chen	.....	D23/367
D527,511	S *	9/2006	Bourget	.....	D2/741
D581,195	S *	11/2008	Wen	.....	D6/632
D606,596	S *	12/2009	Kruger	.....	D21/427
2002/0166881	A1 *	11/2002	Willingham et al.	.....	224/652
2002/0190952	A1 *	12/2002	Shah	.....	345/163
2008/0010848	A1 *	1/2008	Miles	.....	33/758
2009/0091921	A1 *	4/2009	Yang	.....	362/103
2009/0139099	A1 *	6/2009	Norman	.....	33/27.01
2010/0078457	A1 *	4/2010	Pitchford et al.	.....	224/576

\* cited by examiner

*Primary Examiner*—Celia A Murphy

(74) *Attorney, Agent, or Firm*—Ostrolenk Faber LLP

(57) **CLAIM**

The ornamental design for a backpack, as shown and described.

**DESCRIPTION**

FIG. 1 is a perspective view of a backpack showing my new design in accordance with a first embodiment;

FIG. 2 is a rear elevational view of the backpack in accordance with the first embodiment;

FIG. 3 is a front elevational view of the backpack in accordance with the first embodiment;

FIG. 4 is a left side view of the backpack in accordance with the first embodiment;

FIG. 5 is a right side view of the backpack in accordance with the first embodiment;

FIG. 6 is a top plan view of the backpack in accordance with the first embodiment;

FIG. 7 is a bottom plan view of the backpack in accordance with the first embodiment;

FIG. 8 is a perspective view of the backpack in accordance with a second embodiment;

FIG. 9 is a rear elevational view of the backpack in accordance with the second embodiment;

FIG. 10 is a front elevational view of the backpack in accordance with the second embodiment;

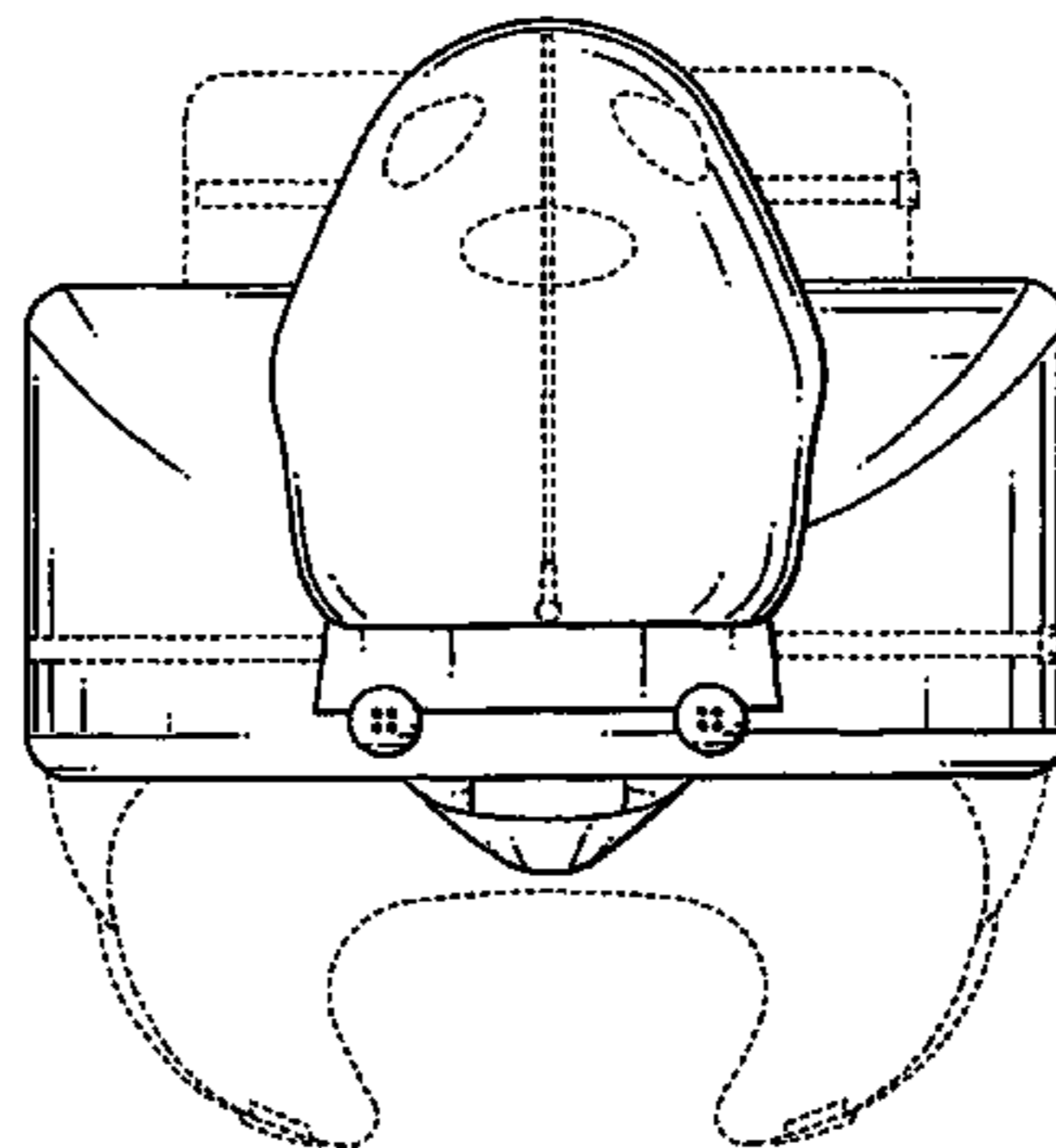
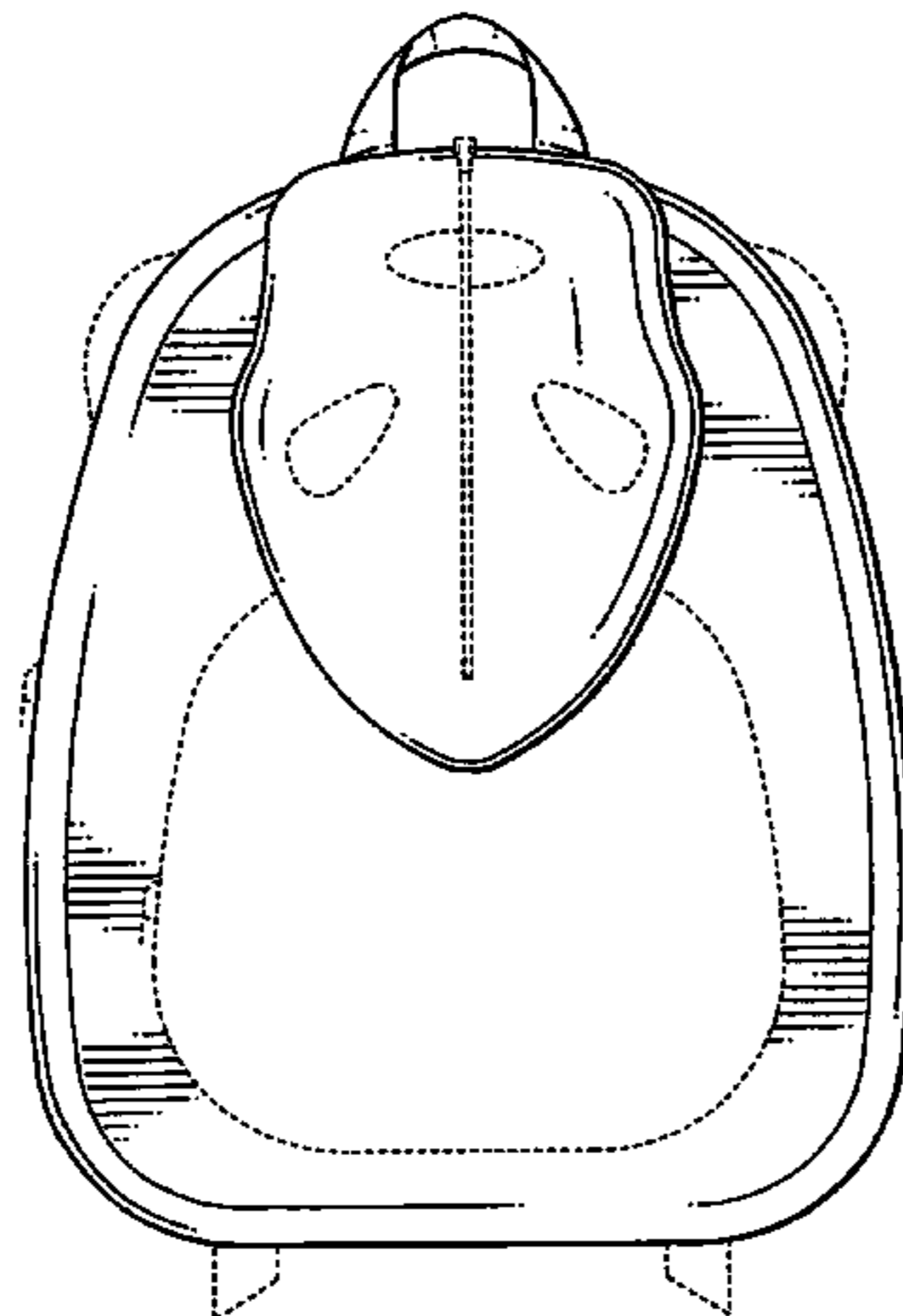


FIG. 11 is a left side view of the backpack in accordance with the second embodiment;

FIG. 12 is a right side view of the backpack in accordance with the second embodiment;

FIG. 13 is a top plan view of the backpack in accordance with the second embodiment;

FIG. 14 is a bottom plan view of the backpack in accordance with the second embodiment;

FIG. 15 is a perspective view of the backpack in accordance with a third embodiment;

FIG. 16 is a rear elevational view of the backpack in accordance with the third embodiment;

FIG. 17 is a front elevational view of the backpack in accordance with the third embodiment;

FIG. 18 is a left side view of the backpack in accordance with the third embodiment;

FIG. 19 is a right side view of the backpack in accordance with the third embodiment;

FIG. 20 is a top plan view of the backpack in accordance with the third embodiment;

FIG. 21 is a bottom plan view of the backpack in accordance with the third embodiment;

FIG. 22 is a perspective view of the backpack in accordance with a fourth embodiment;

FIG. 23 is a rear elevational view of the backpack in accordance with the fourth embodiment;

FIG. 24 is a front elevational view of the backpack in accordance with the fourth embodiment;

FIG. 25 is a left side view of the backpack in accordance with the fourth embodiment;

FIG. 26 is a right side view of the backpack in accordance with the fourth embodiment;

FIG. 27 is a top plan view of the backpack in accordance with the fourth embodiment;

FIG. 28 is a bottom plan view of the backpack in accordance with the fourth embodiment;

FIG. 29 is a perspective view of the backpack in accordance with a fifth embodiment;

FIG. 30 is a rear elevational view of the backpack in accordance with the fifth embodiment;

FIG. 31 is a front elevational view of the backpack in accordance with the fifth embodiment;

FIG. 32 is a left side view of the backpack in accordance with the fifth embodiment;

FIG. 33 is a right side view of the backpack in accordance with the fifth embodiment;

FIG. 34 is a top plan view of the backpack in accordance with the fifth embodiment; and

FIG. 35 is a bottom plan view of the backpack in accordance with the fifth embodiment.

FIG. 36 is a perspective view of the backpack in accordance with a sixth embodiment;

FIG. 37 is a rear elevational view of the backpack in accordance with the sixth embodiment;

FIG. 38 is a front elevational view of the backpack in accordance with the sixth embodiment;

FIG. 39 is a left side view of the backpack in accordance with the sixth embodiment;

FIG. 40 is a right side view of the backpack in accordance with the sixth embodiment;

FIG. 41 is a top elevational view of the backpack in accordance with the sixth embodiment;

FIG. 42 is a bottom elevational view of the backpack in accordance with the sixth embodiment;

FIG. 43 is a perspective view of the backpack in accordance with a seventh embodiment;

FIG. 44 is a rear elevational view of the backpack in accordance with the seventh embodiment;

FIG. 45 is a front elevational view of the backpack in accordance with the seventh embodiment;

FIG. 46 is a left side view of the backpack in accordance with the seventh embodiment;

FIG. 47 is a right side view of the backpack in accordance with the seventh embodiment;

FIG. 48 is a top elevational view of the backpack in accordance with the seventh embodiment;

FIG. 49 is a bottom elevational view of the backpack in accordance with the seventh embodiment;

FIG. 50 is a perspective view of the backpack in accordance with a eighth embodiment;

FIG. 51 is a rear elevational view of the backpack in accordance with the eighth embodiment;

FIG. 52 is a front elevational view of the backpack in accordance with the eighth embodiment;

FIG. 53 is a left side view of the backpack in accordance with the eighth embodiment;

FIG. 54 is a right side view of the backpack in accordance with the eighth embodiment;

FIG. 55 is a top elevational view of the backpack in accordance with the eighth embodiment;

FIG. 56 is a bottom elevational view of the backpack in accordance with the eighth embodiment;

FIG. 57 is a perspective view of the backpack in accordance with a ninth embodiment;

FIG. 58 is a rear elevational view of the backpack in accordance with the ninth embodiment;

FIG. 59 is a front elevational view of the backpack in accordance with the ninth embodiment;

FIG. 60 is a left side view of the backpack in accordance with the ninth embodiment;

FIG. 61 is a right side view of the backpack in accordance with the ninth embodiment;

FIG. 62 is a top elevational view of the backpack in accordance with the ninth embodiment;

FIG. 63 is a bottom elevational view of the backpack in accordance with the ninth embodiment;

FIG. 64 is a perspective view of the backpack in accordance with a tenth embodiment;

FIG. 65 is a rear elevational view of the backpack in accordance with the tenth embodiment;

FIG. 66 is a front elevational view of the backpack in accordance with the tenth embodiment;

FIG. 67 is a left side view of the backpack in accordance with the tenth embodiment;

FIG. 68 is a right side view of the backpack in accordance with the tenth embodiment;

FIG. 69 is a top elevational view of the backpack in accordance with the tenth embodiment; and

FIG. 70 is a bottom elevational view of the backpack in accordance with the tenth embodiment.

FIG. 71 is a perspective view of the backpack in accordance with an eleventh embodiment;

FIG. 72 is a rear elevational view of the backpack in accordance with the eleventh embodiment;

FIG. 73 is a front elevational view of the backpack in accordance with the eleventh embodiment;

FIG. 74 is a left side view of the backpack in accordance with the eleventh embodiment;

FIG. 75 is a right side view of the backpack in accordance with the eleventh embodiment;

FIG. 76 is a top elevational view of the backpack in accordance with the eleventh embodiment; and,

FIG. 77 is a bottom elevational view of the backpack in accordance with the eleventh embodiment.

The portions of the Backpack illustrated in broken lines form no part of the claim. The broken lines illustrating three substantially oval markings on the top front surface of the backpack along with the outermost broken lines illustrating a pocket-like portion on the front surface, form the boundaries of the claimed design; with the broken lines and the areas within them forming no part of the claim.

**1 Claim, 66 Drawing Sheets**



FIG. 1

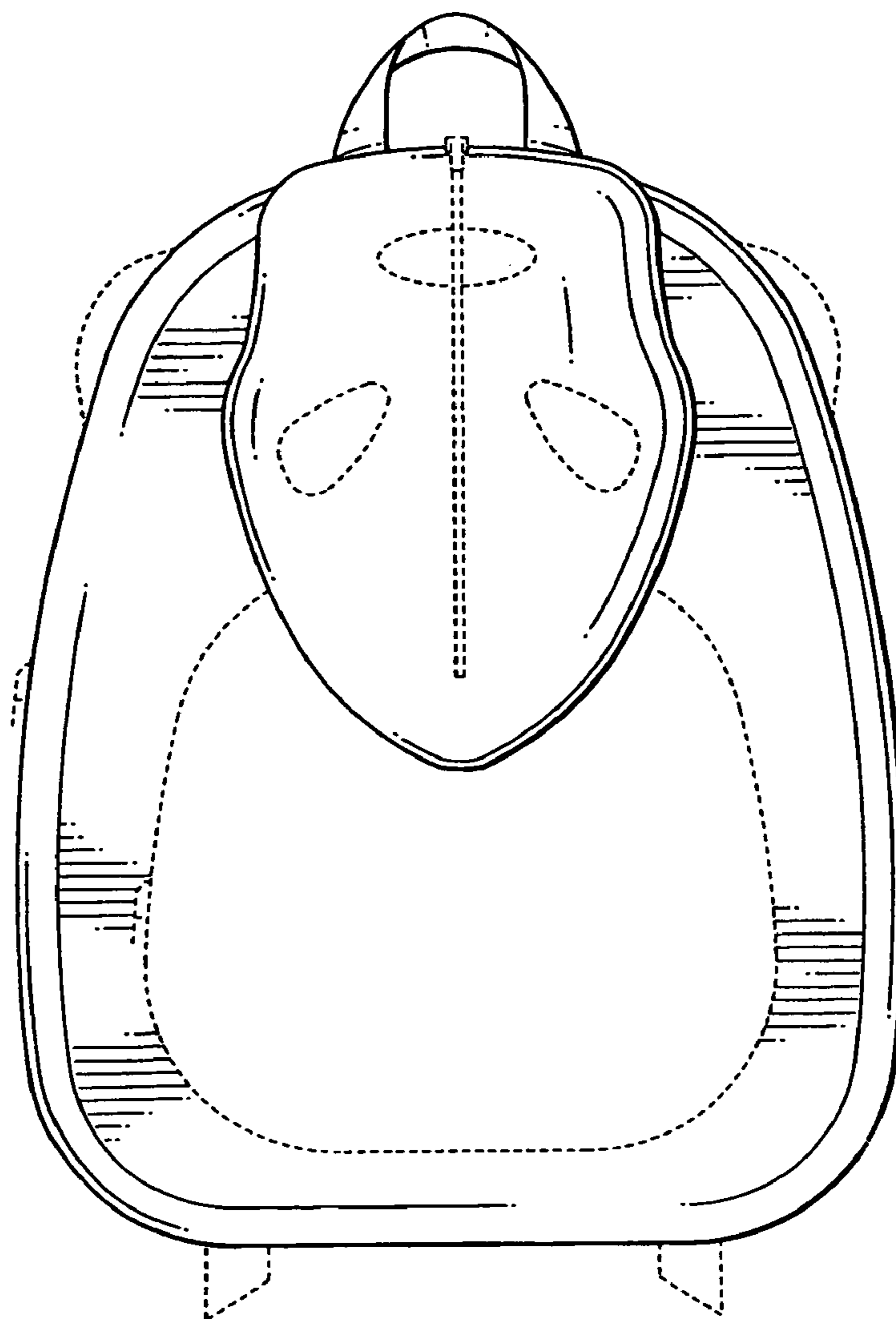


FIG. 2

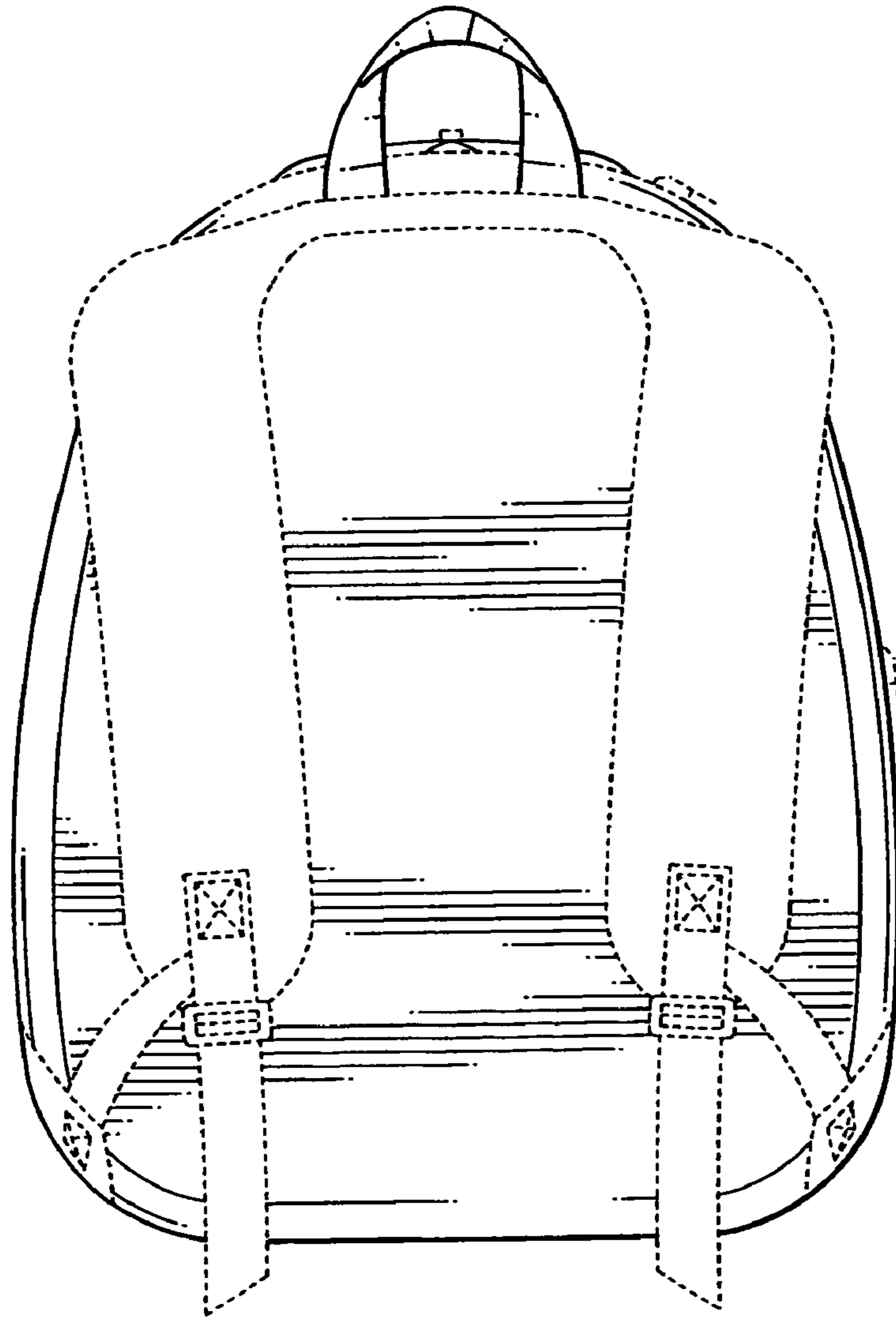


FIG. 3

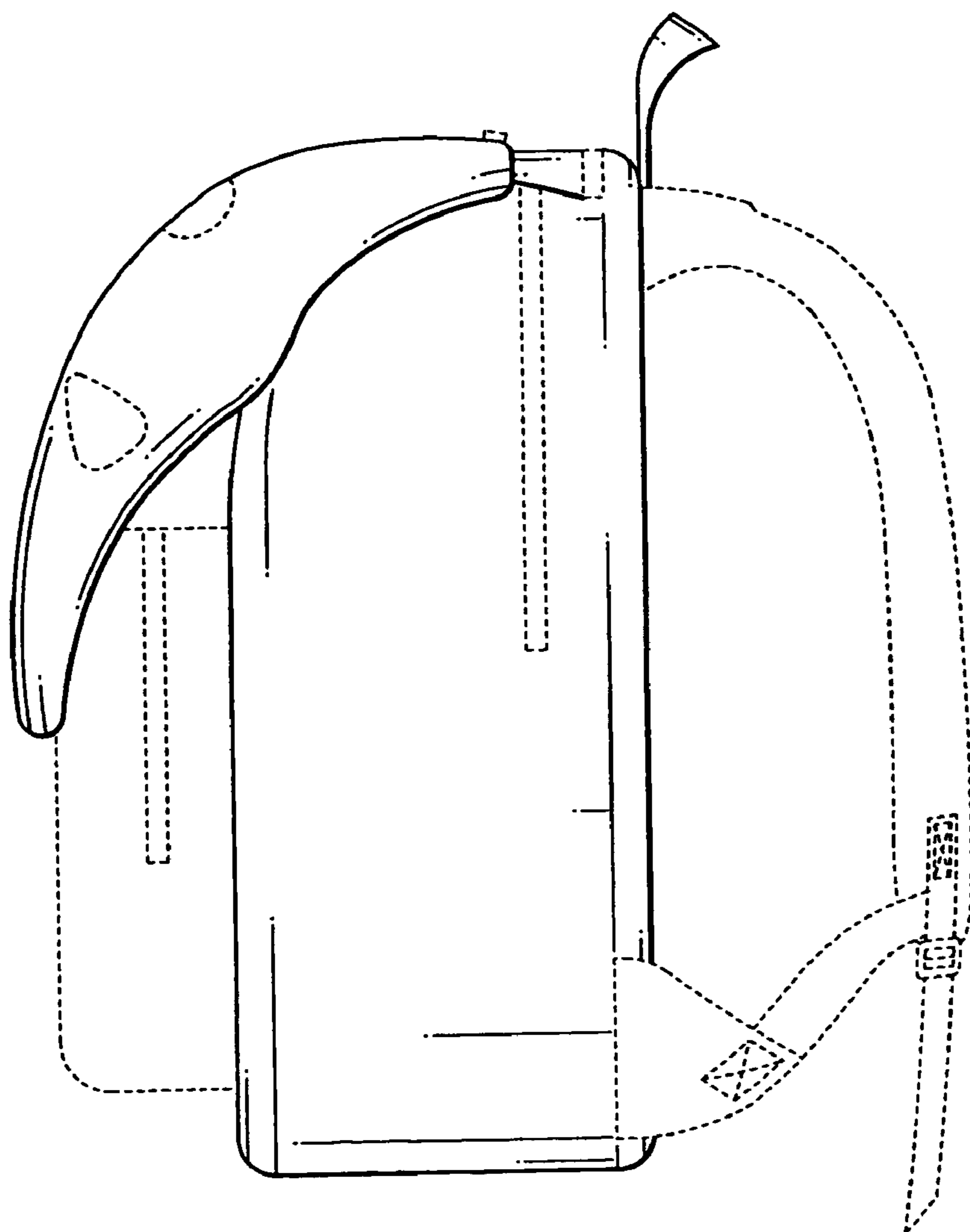


FIG. 4

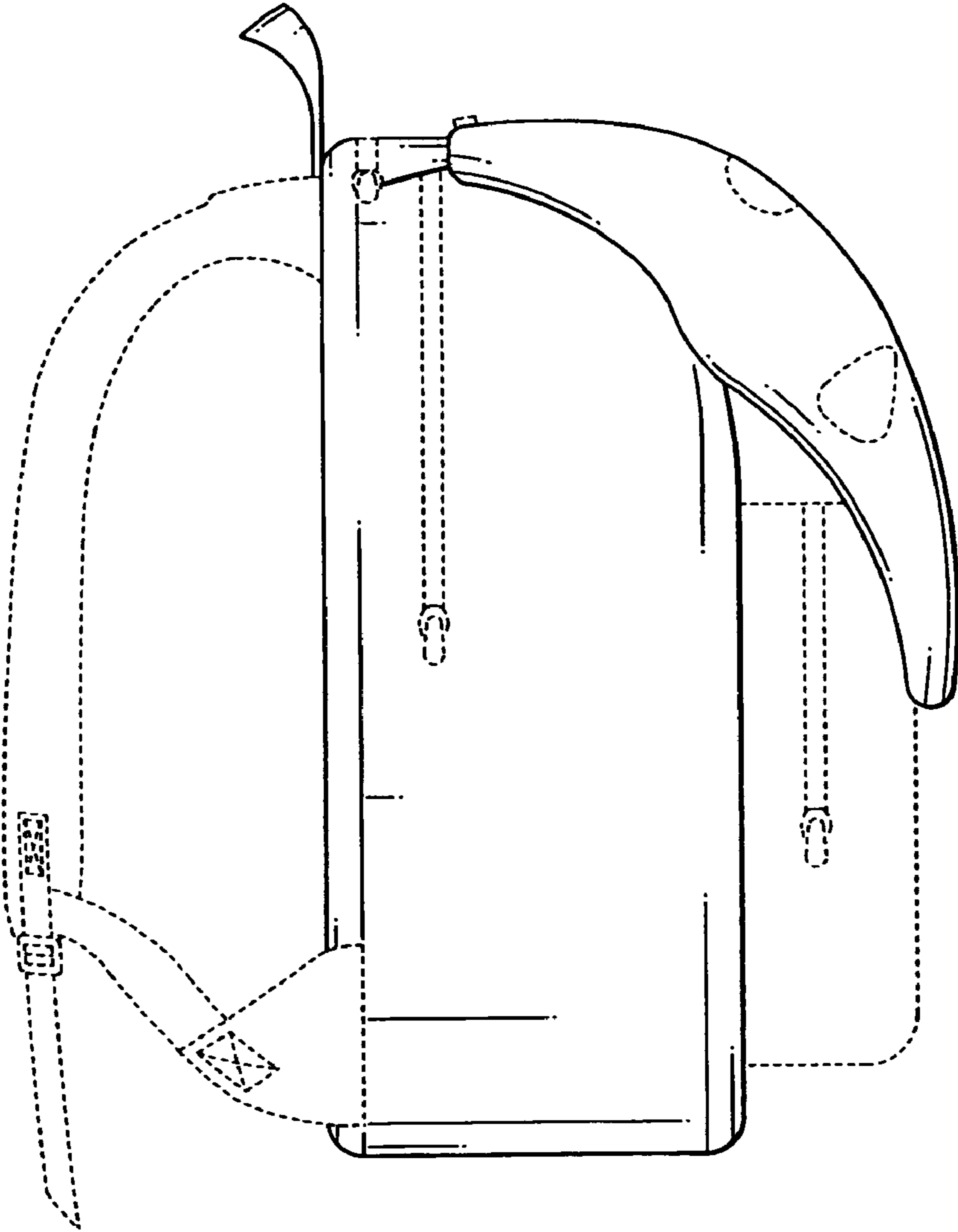


FIG. 5



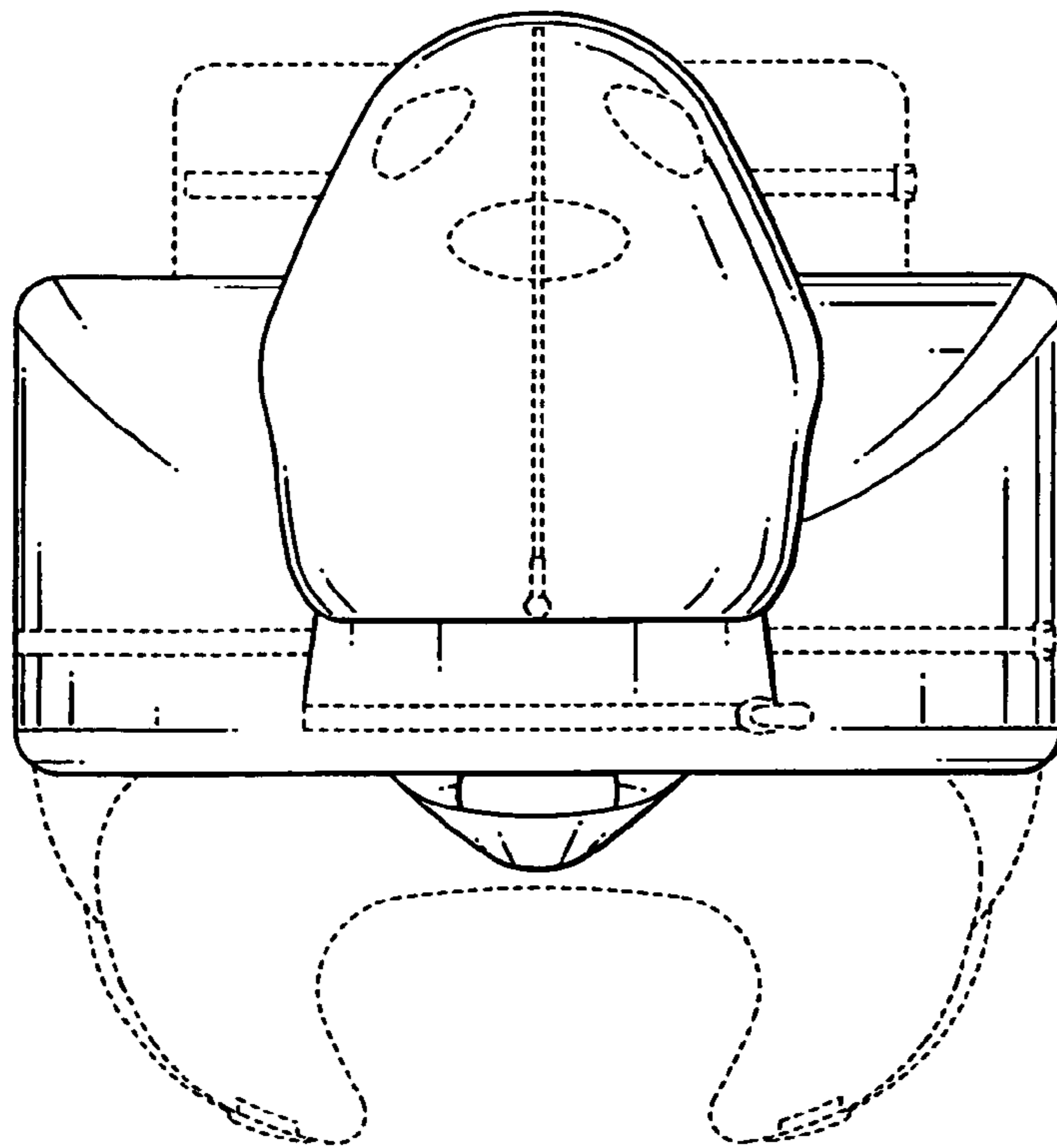


FIG. 6

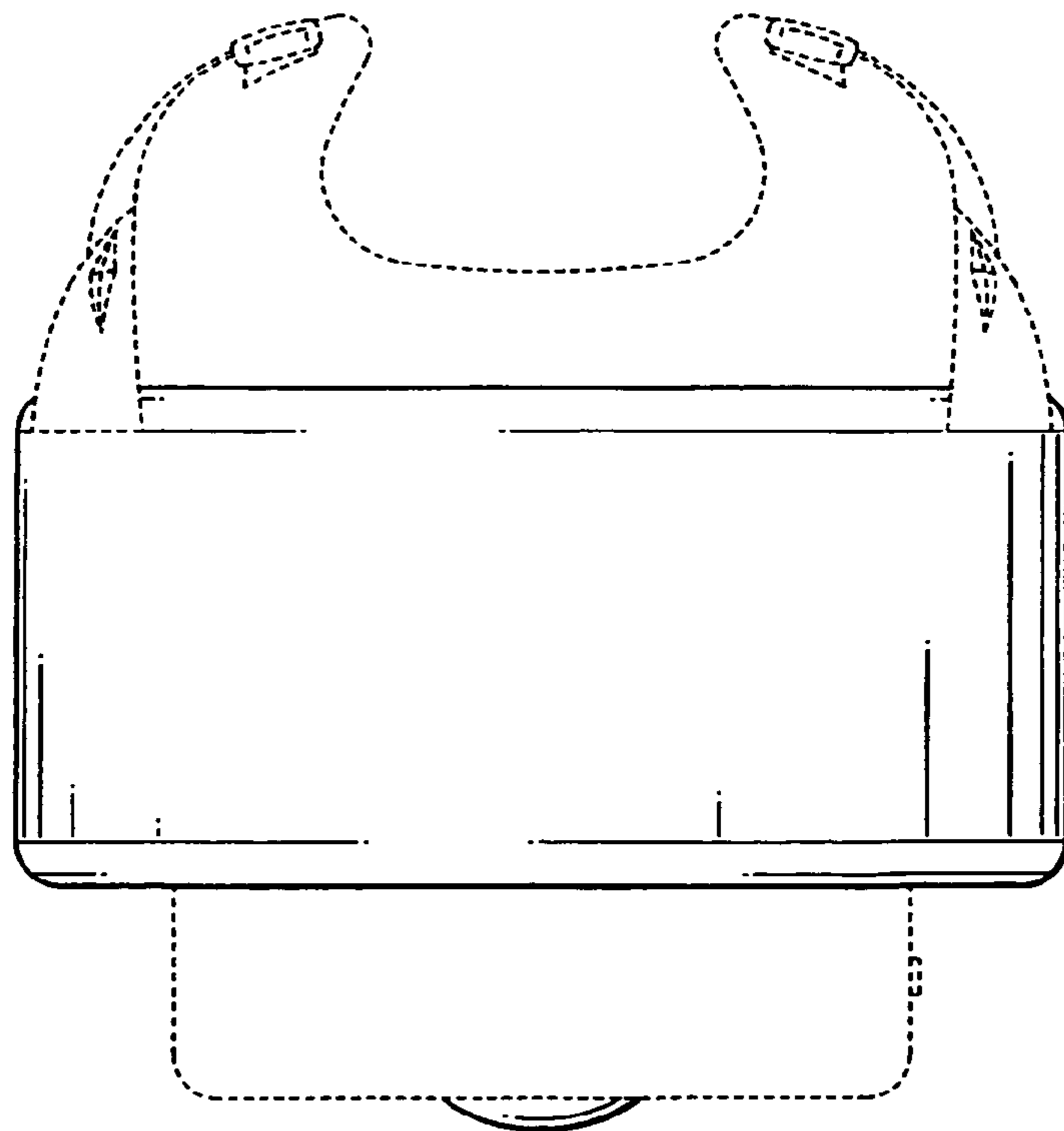


FIG. 7



FIG. 8

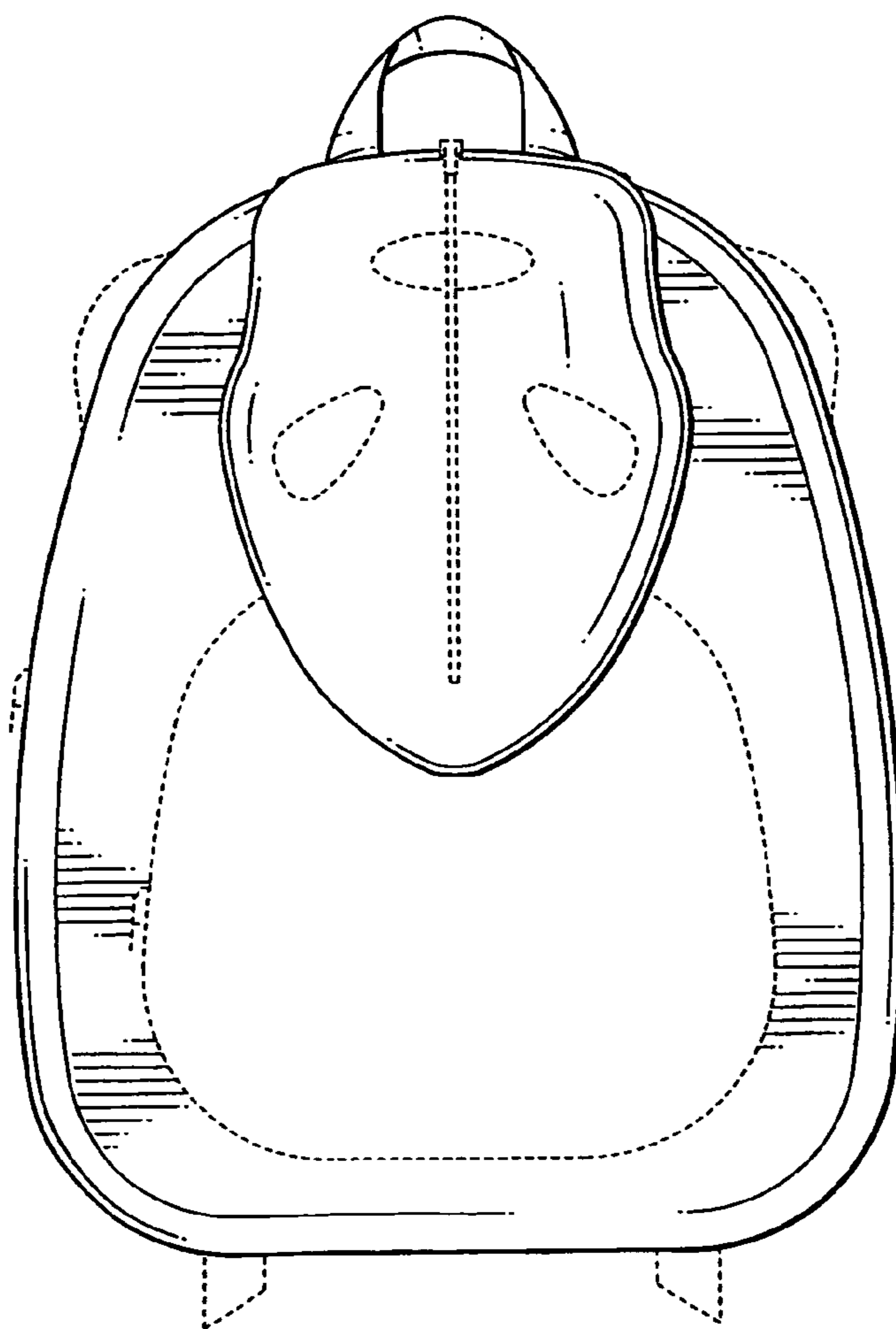


FIG. 9

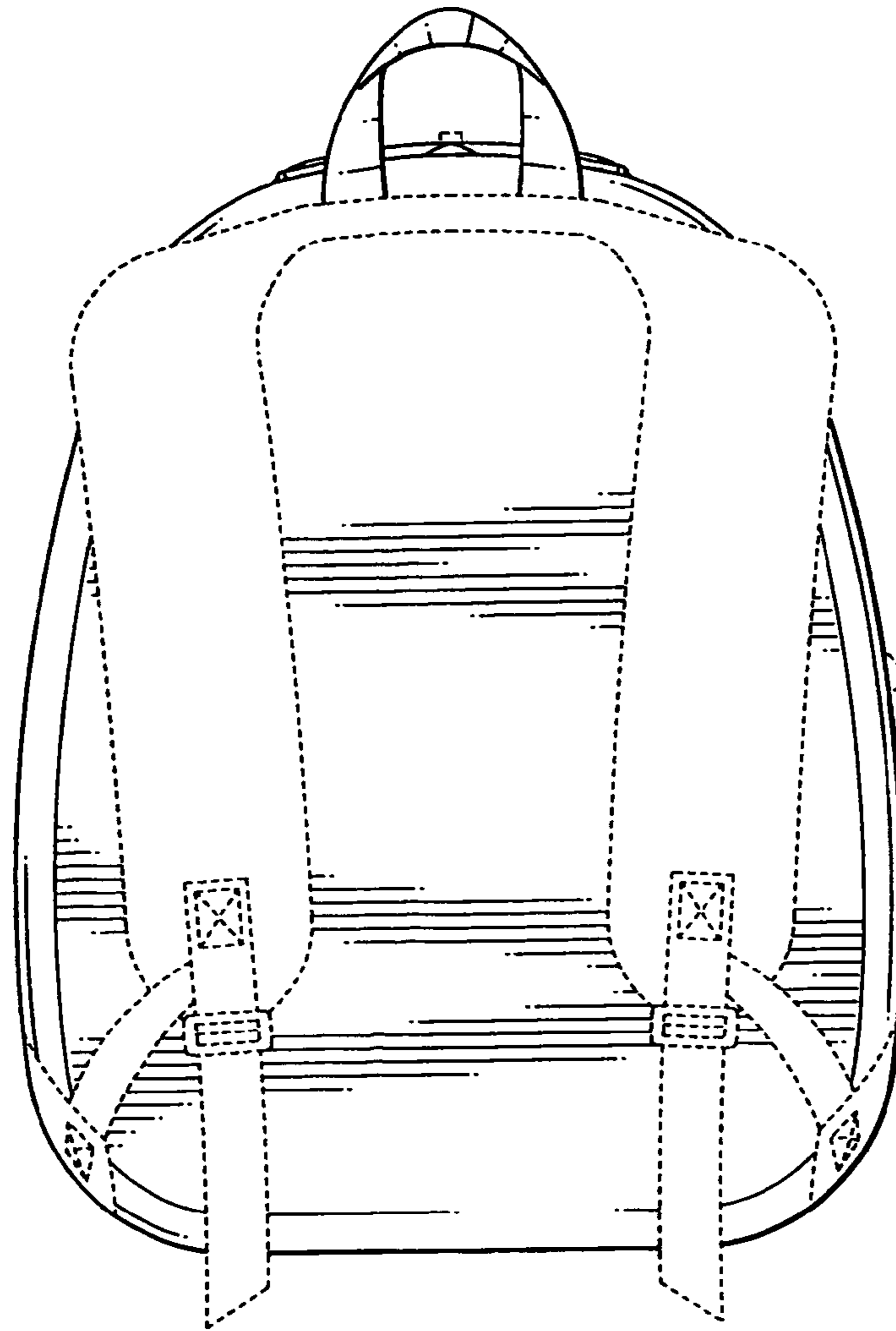


FIG. 10

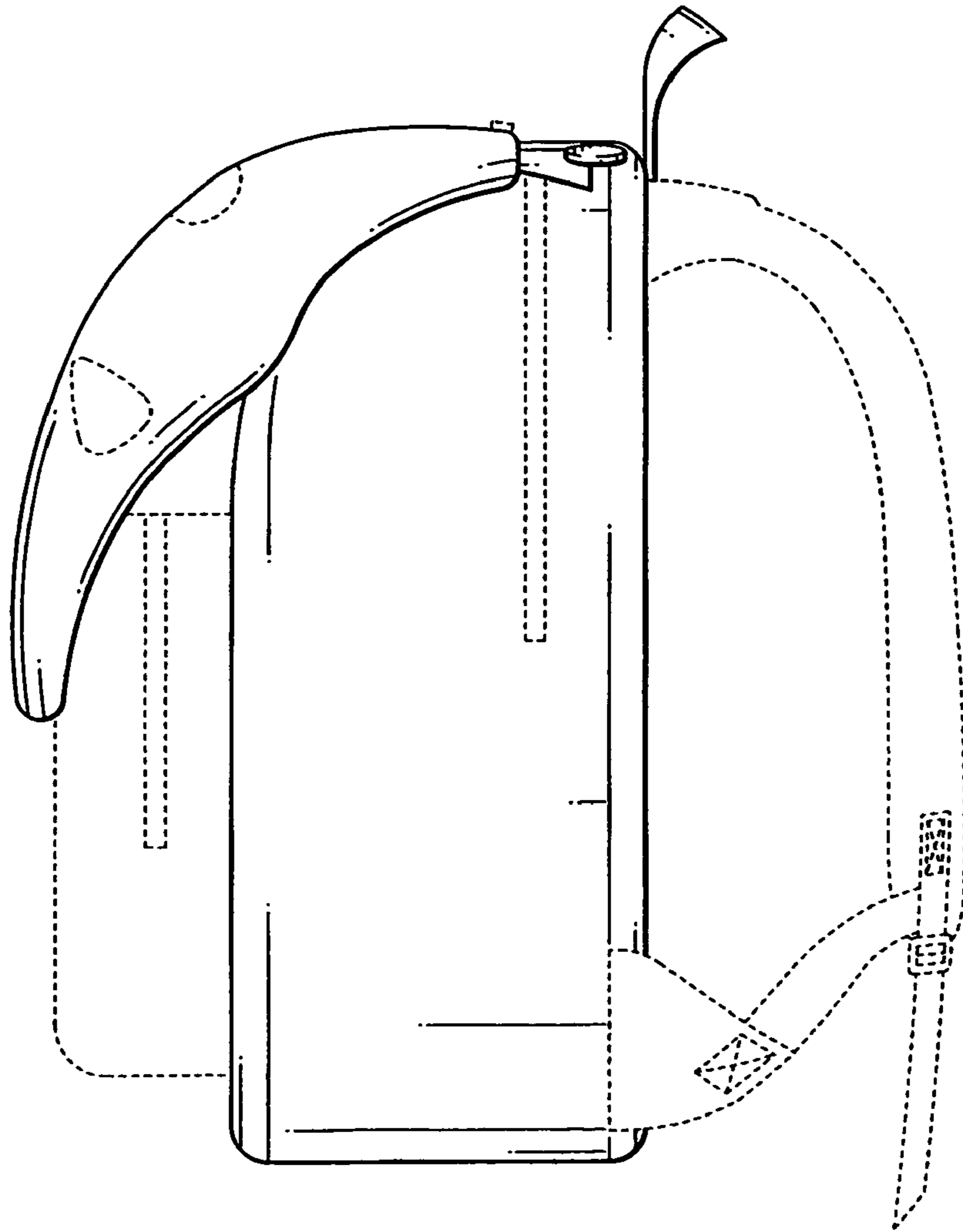


FIG. 11

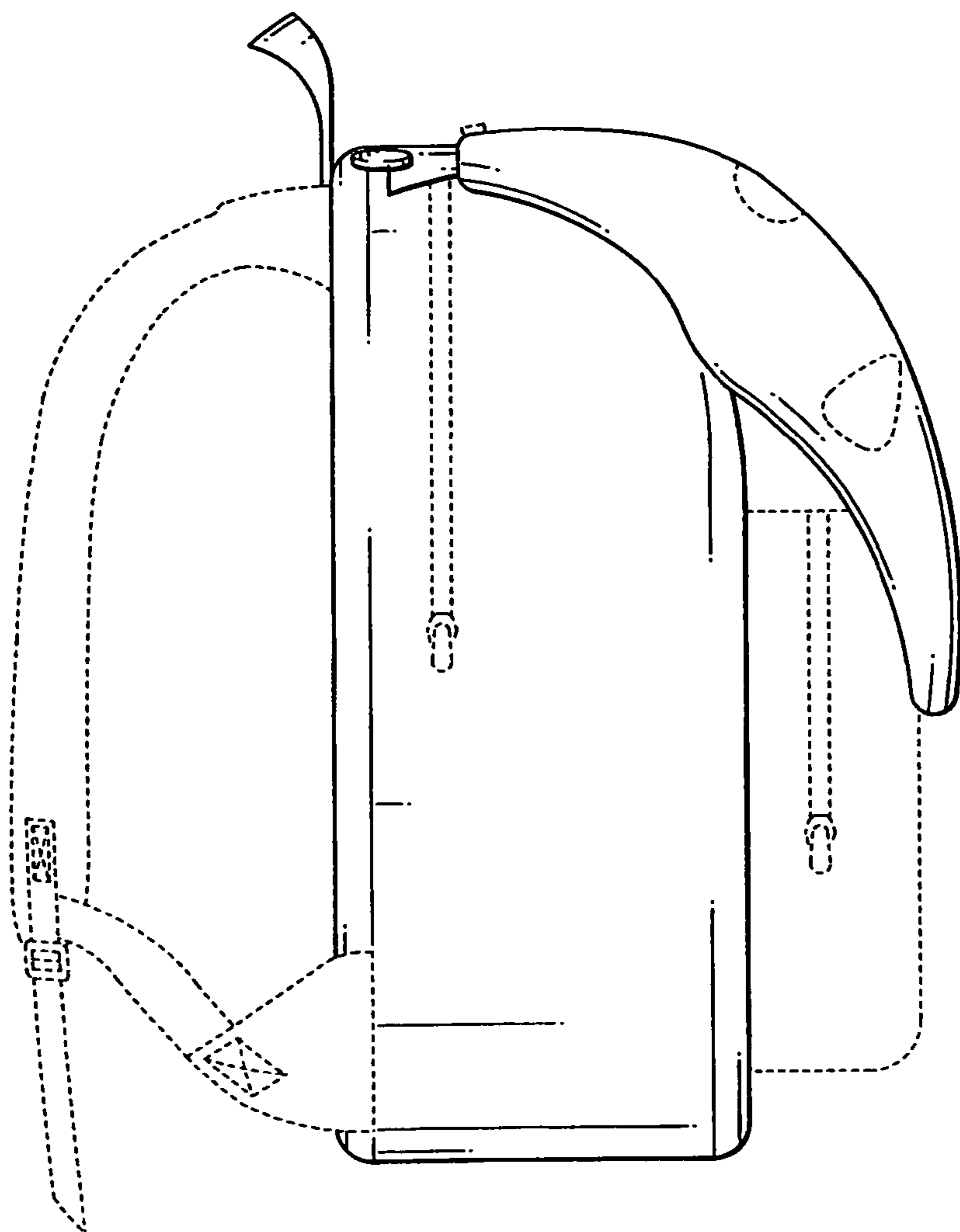


FIG. 12

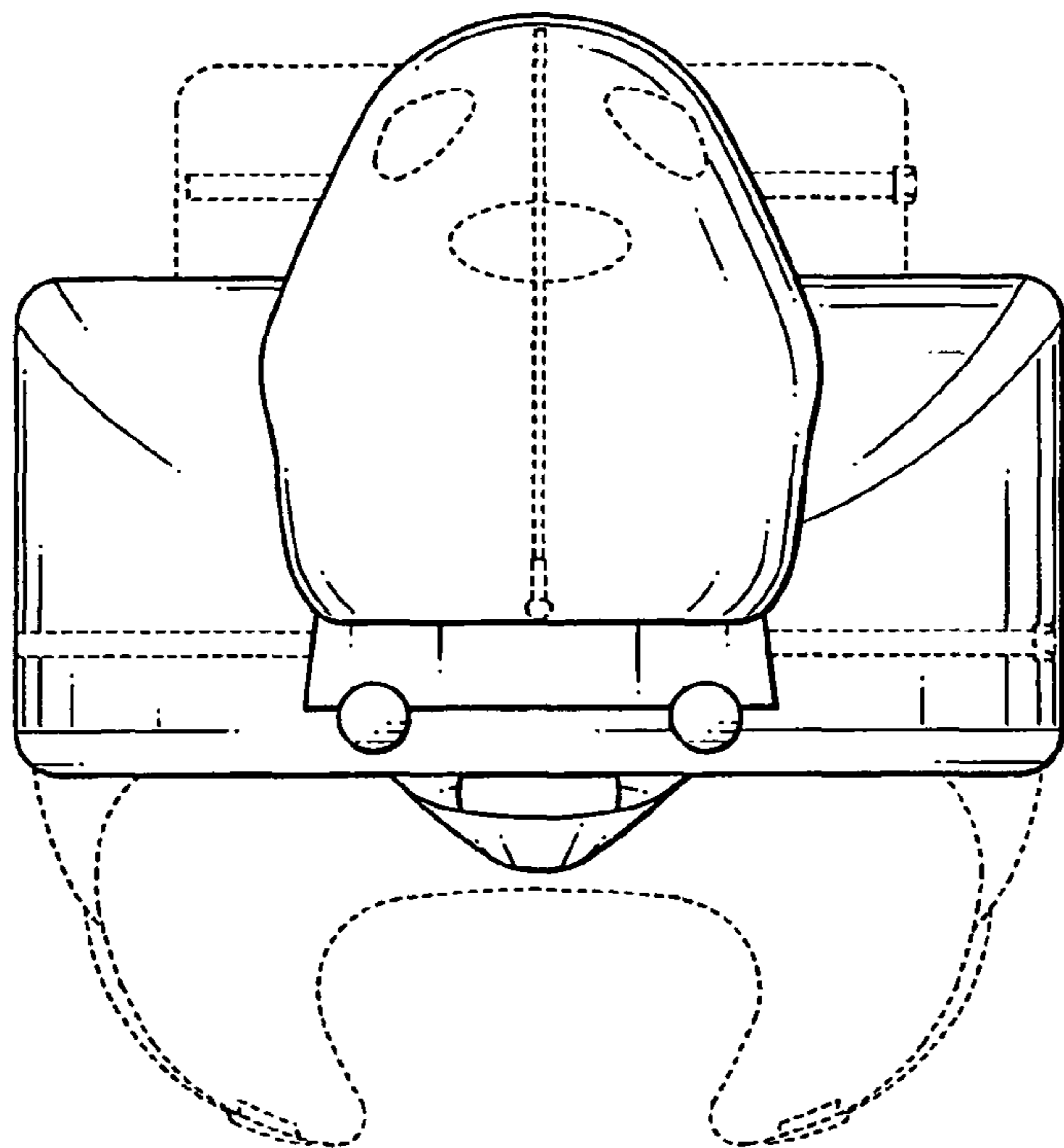


FIG. 13

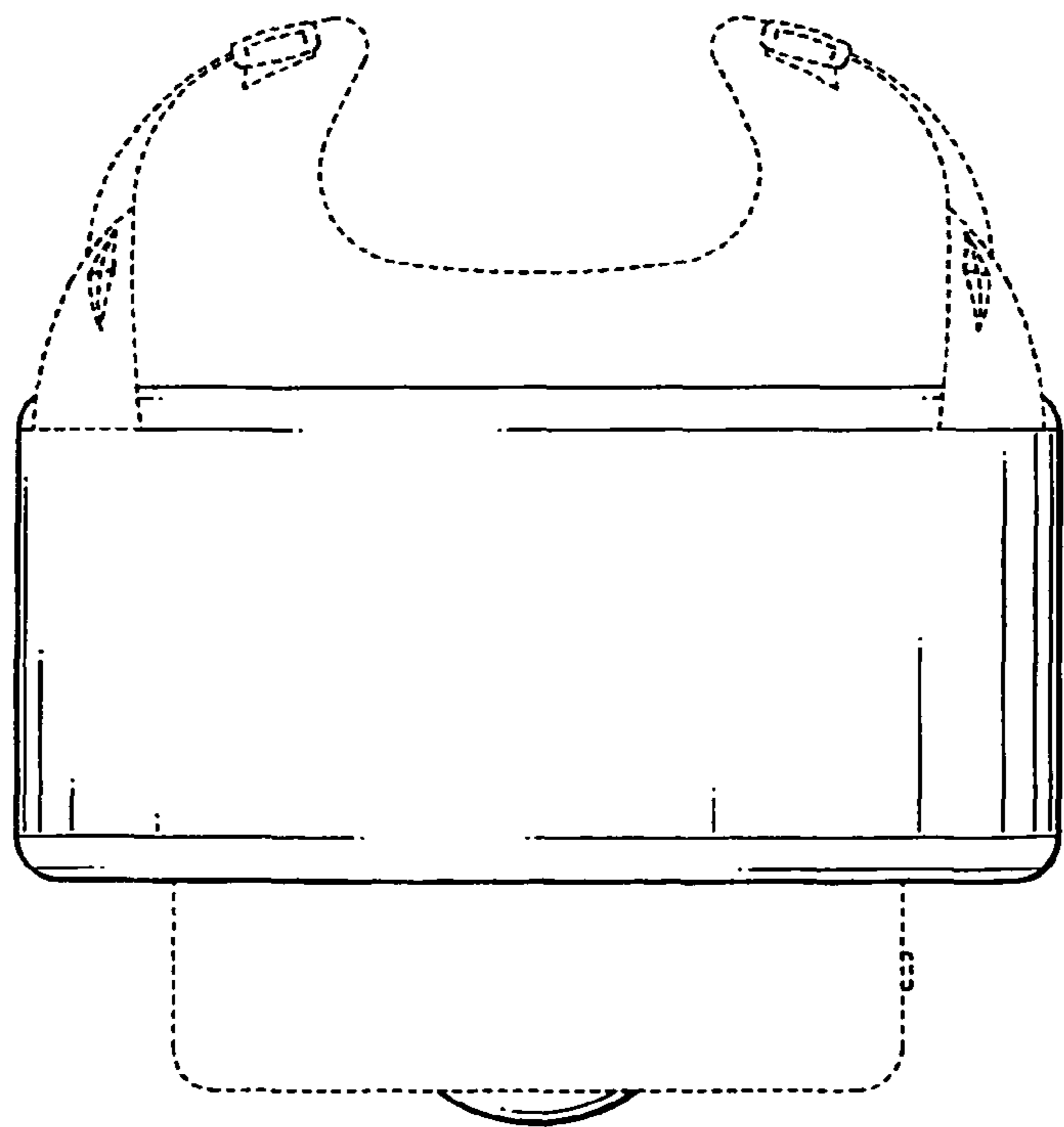


FIG. 14



FIG. 15



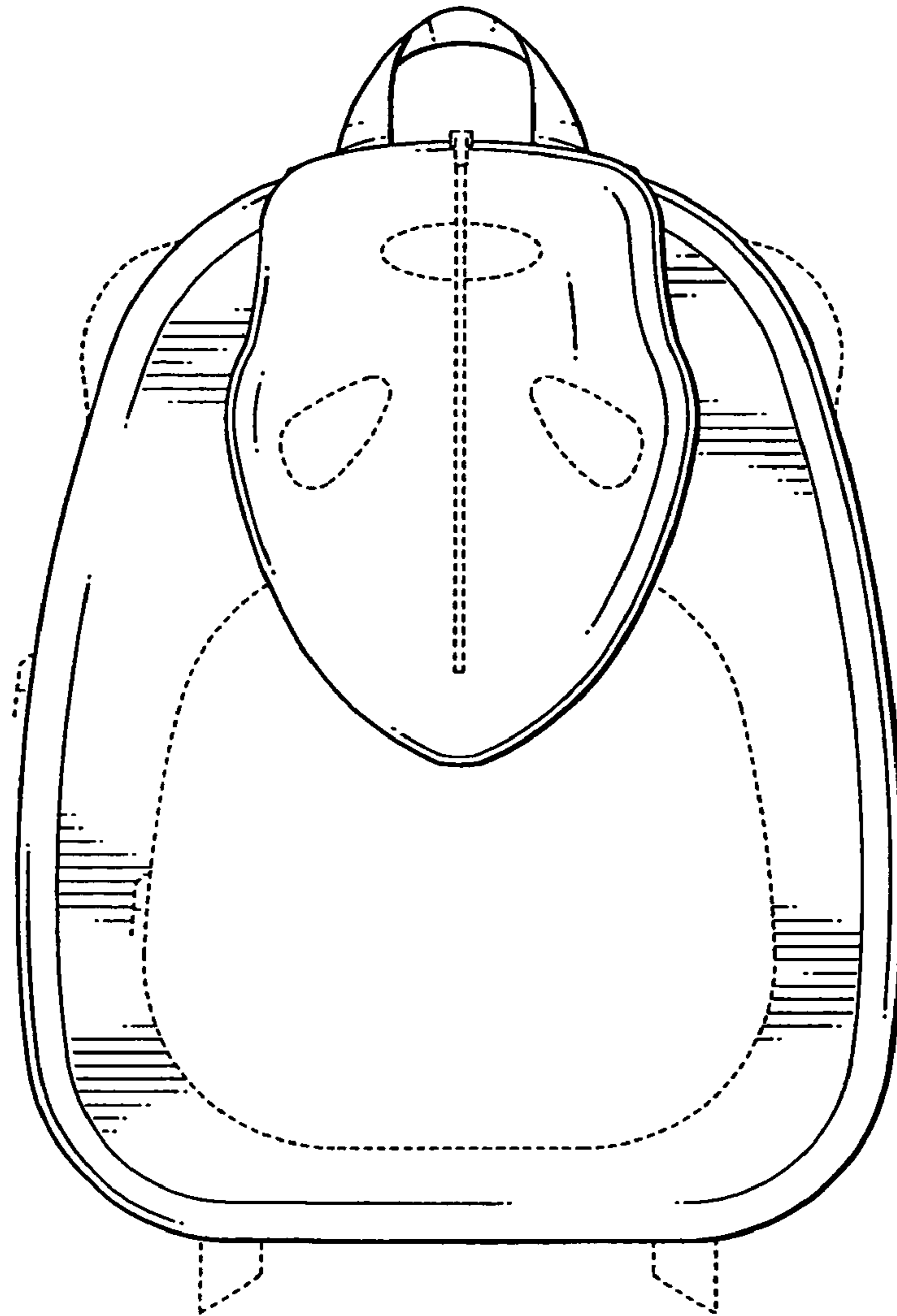


FIG. 16

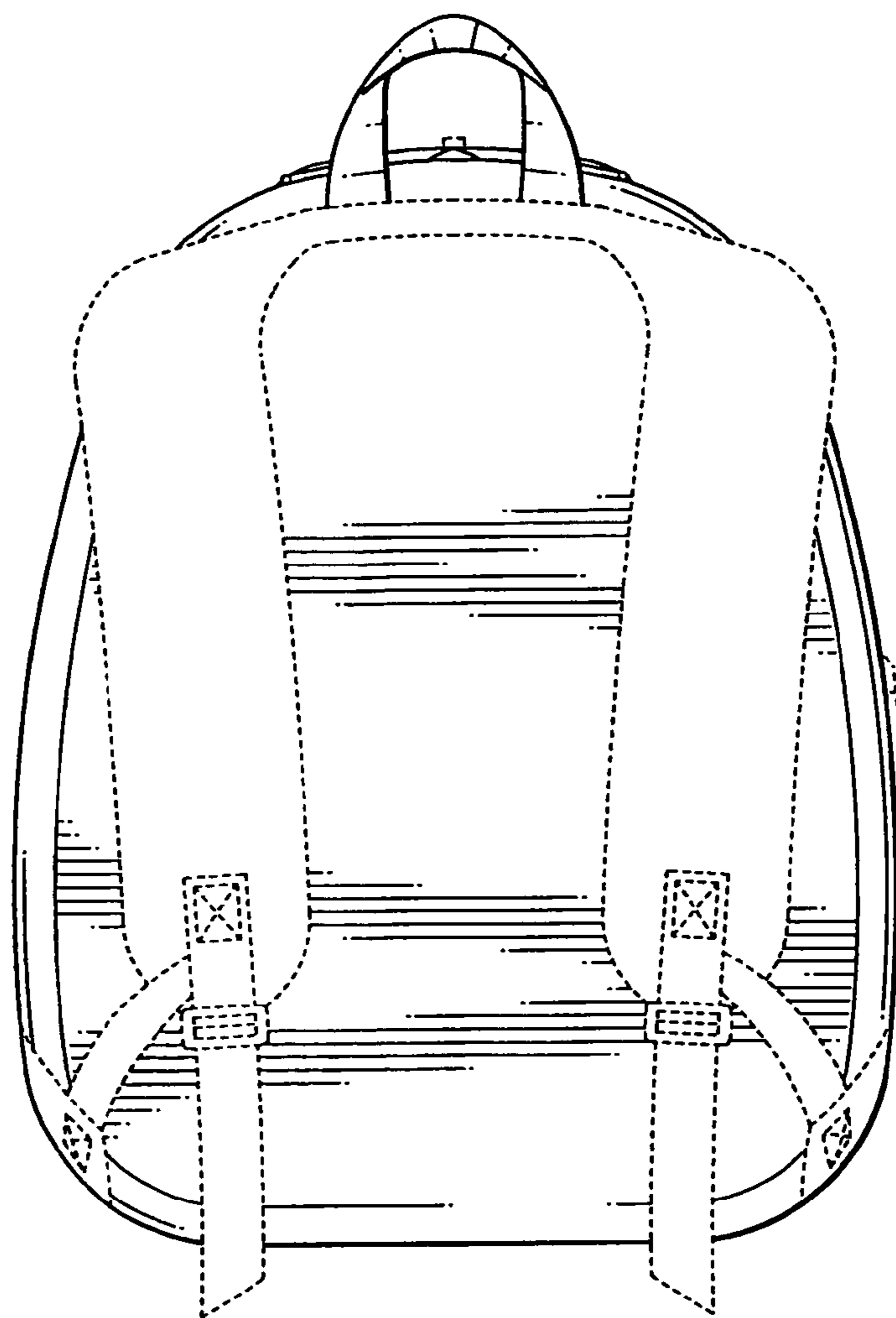


FIG. 17

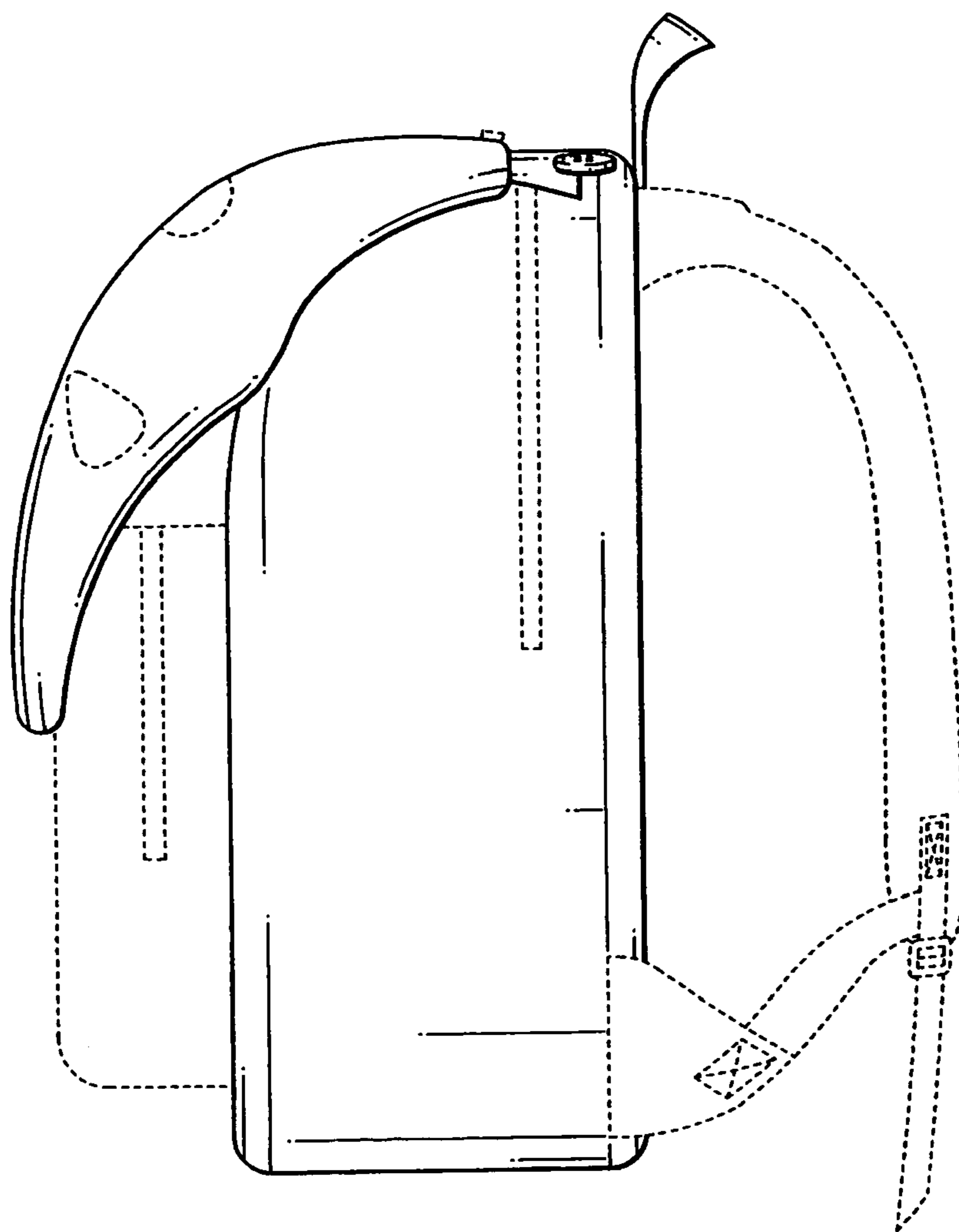


FIG. 18

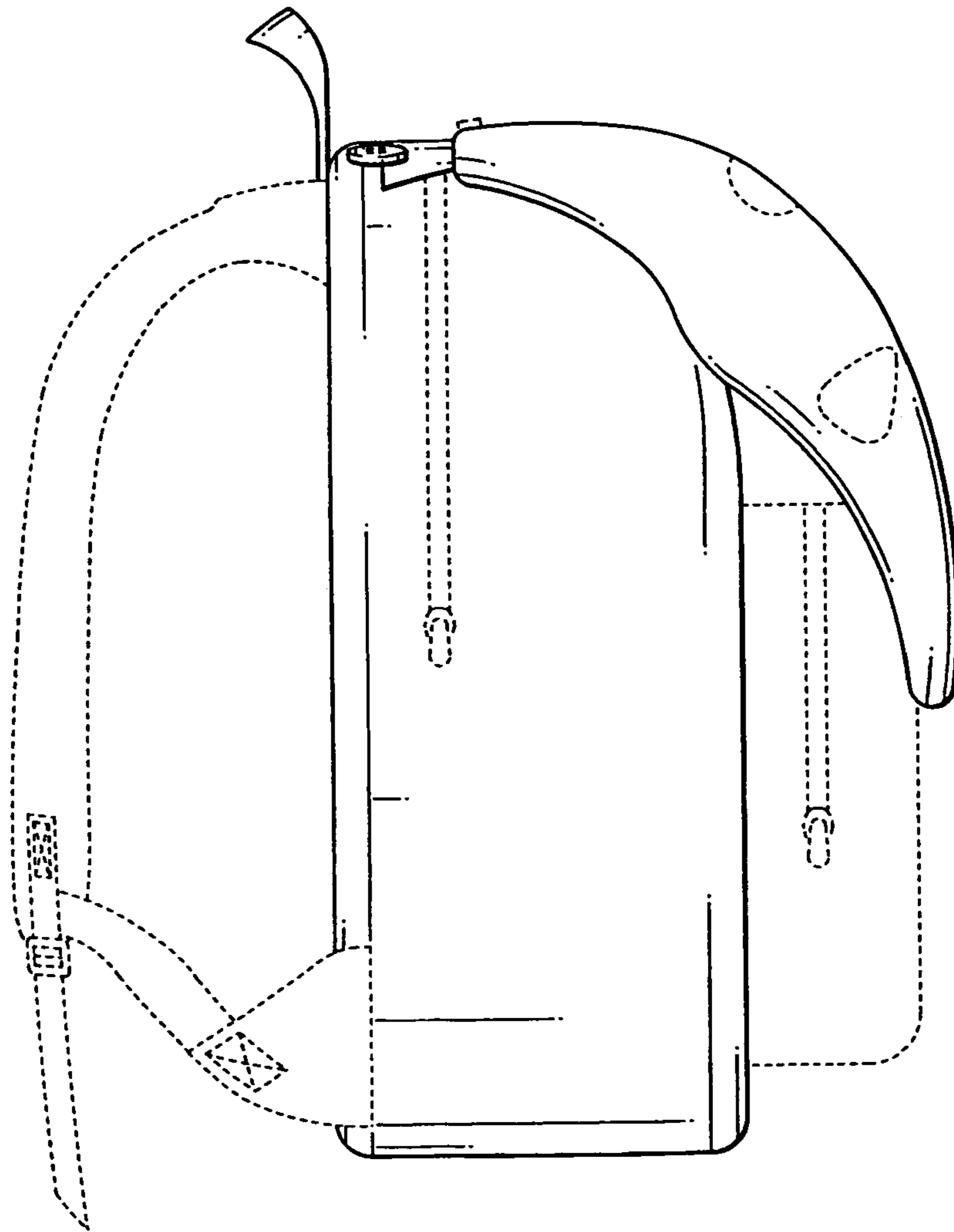


FIG. 19

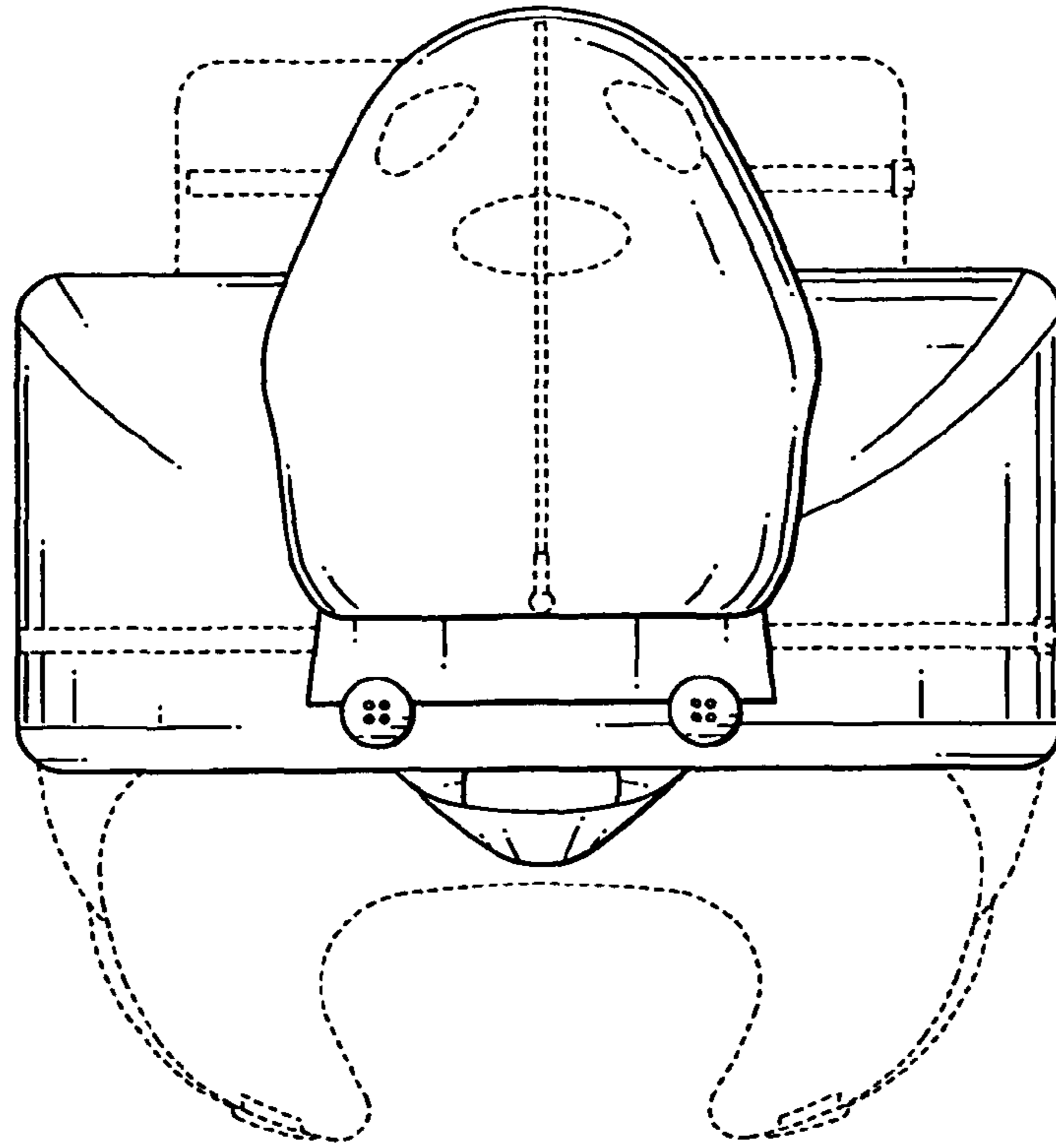


FIG. 20

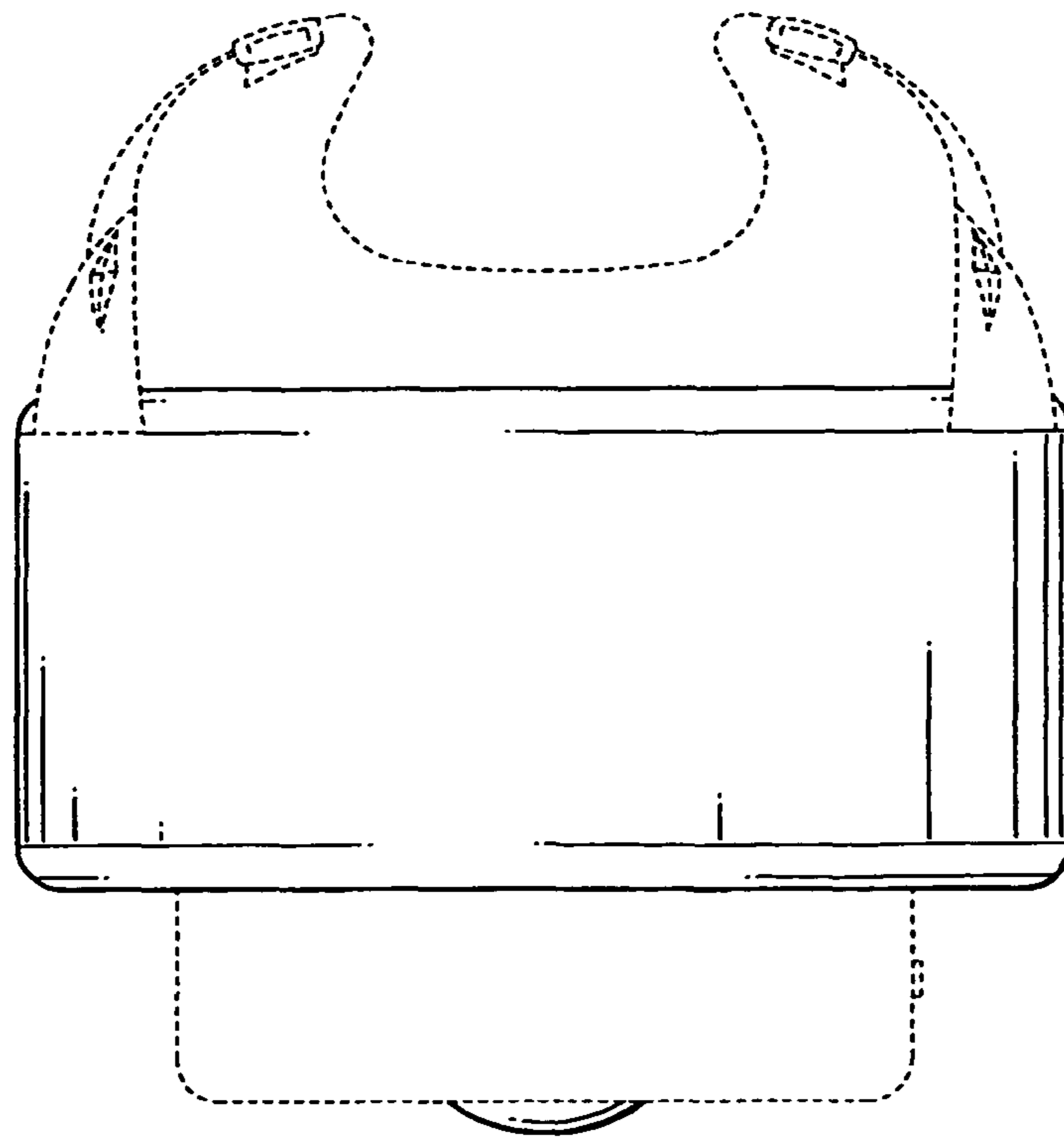


FIG. 21



FIG. 22

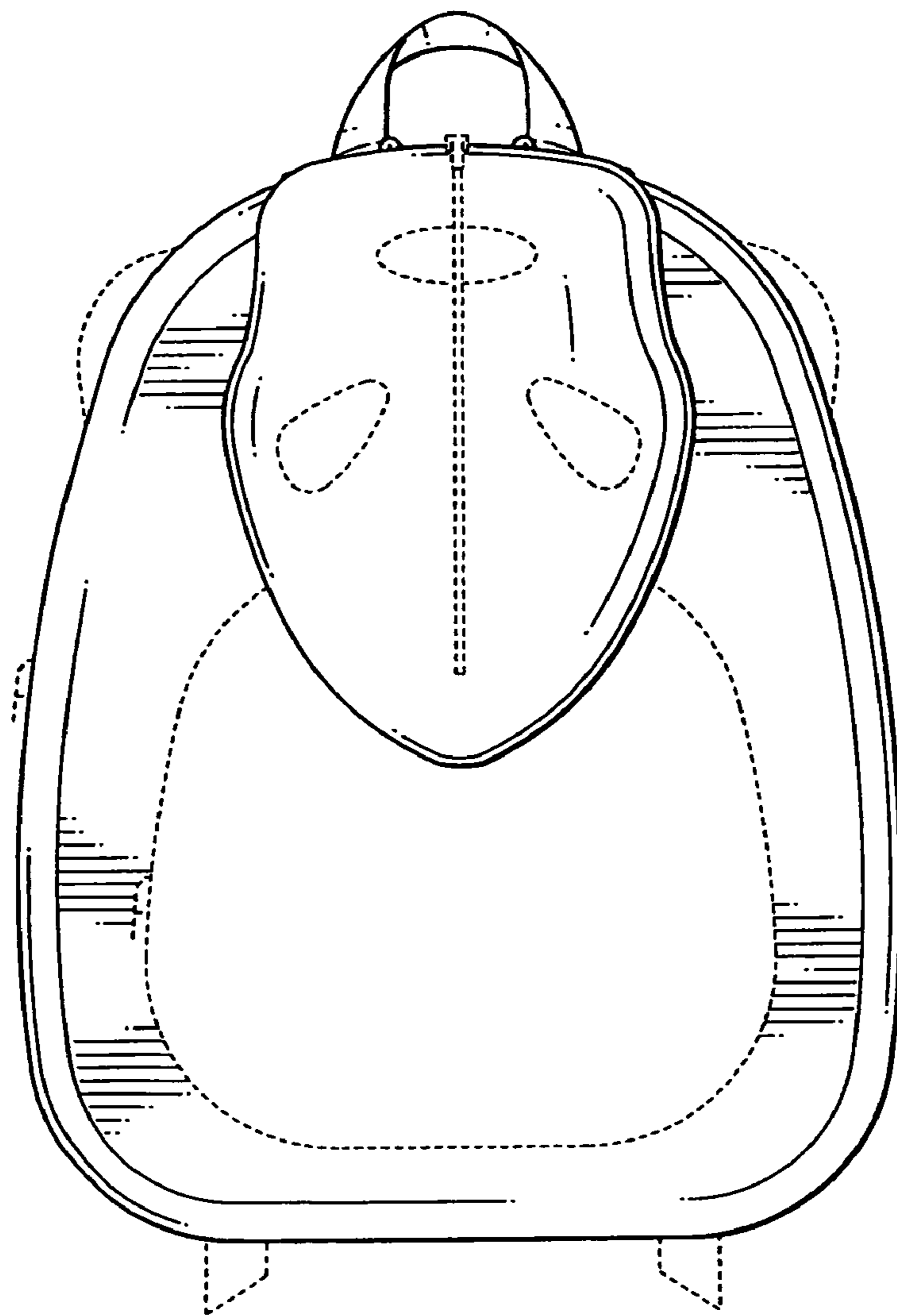


FIG. 23

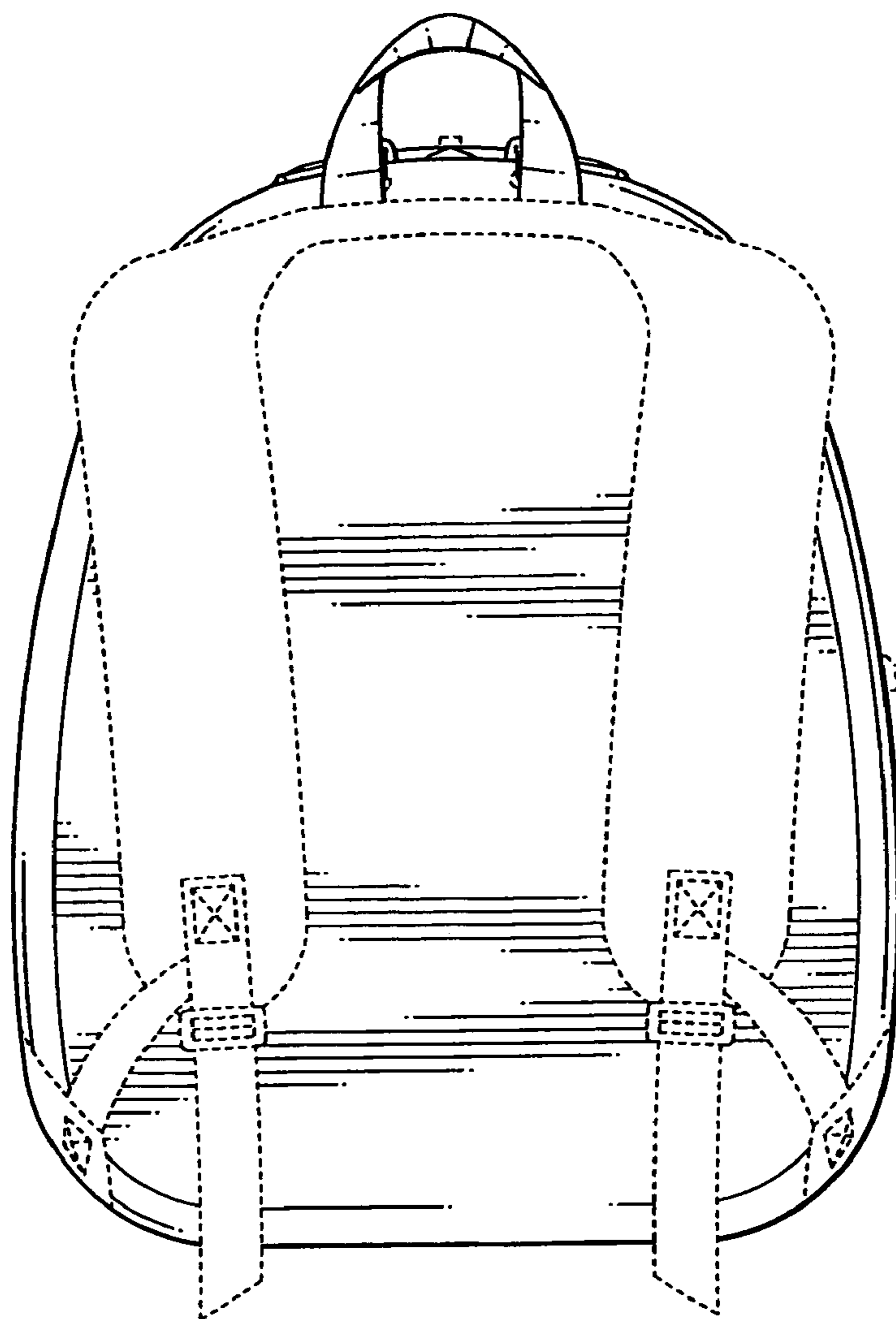


FIG. 24



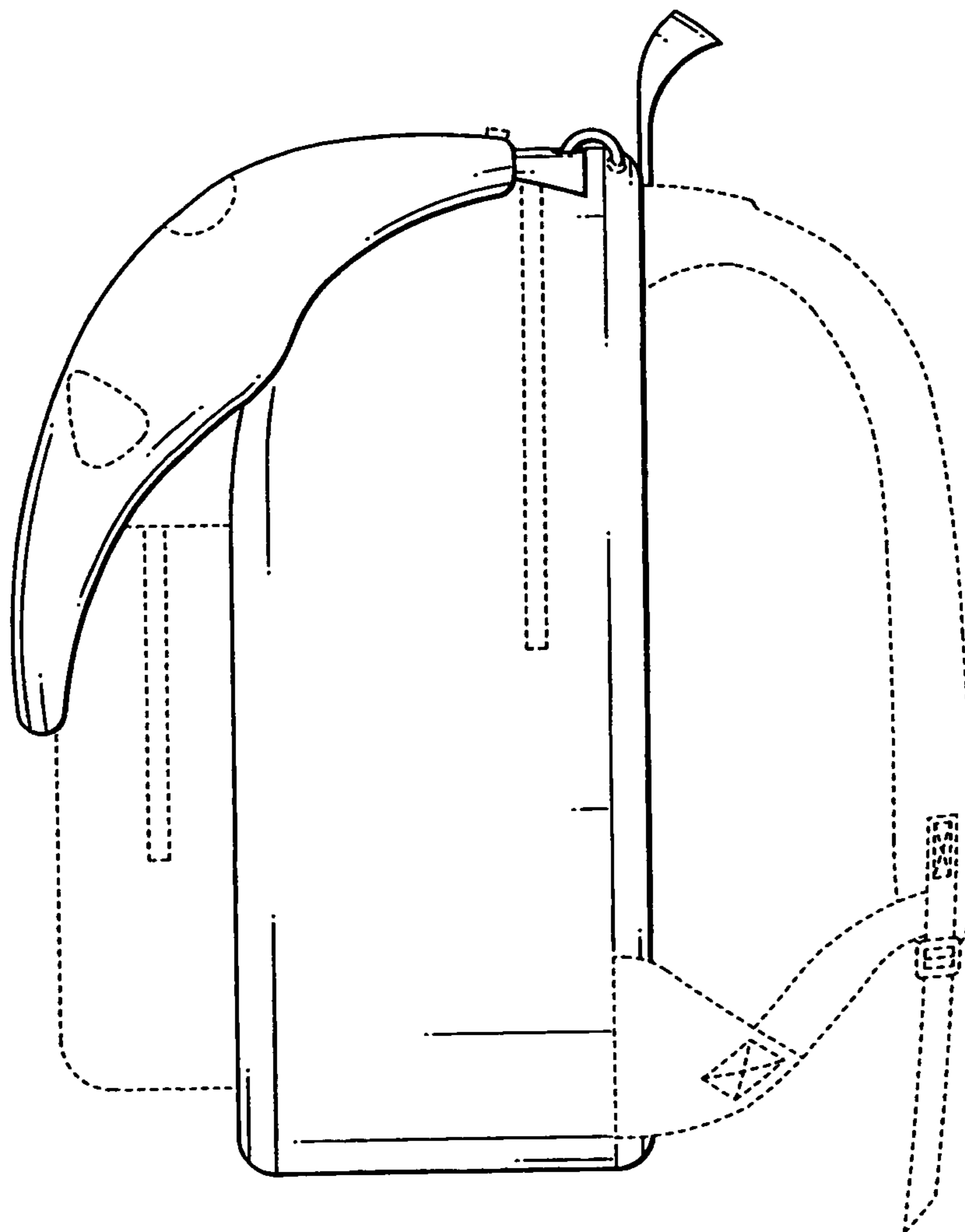


FIG. 25

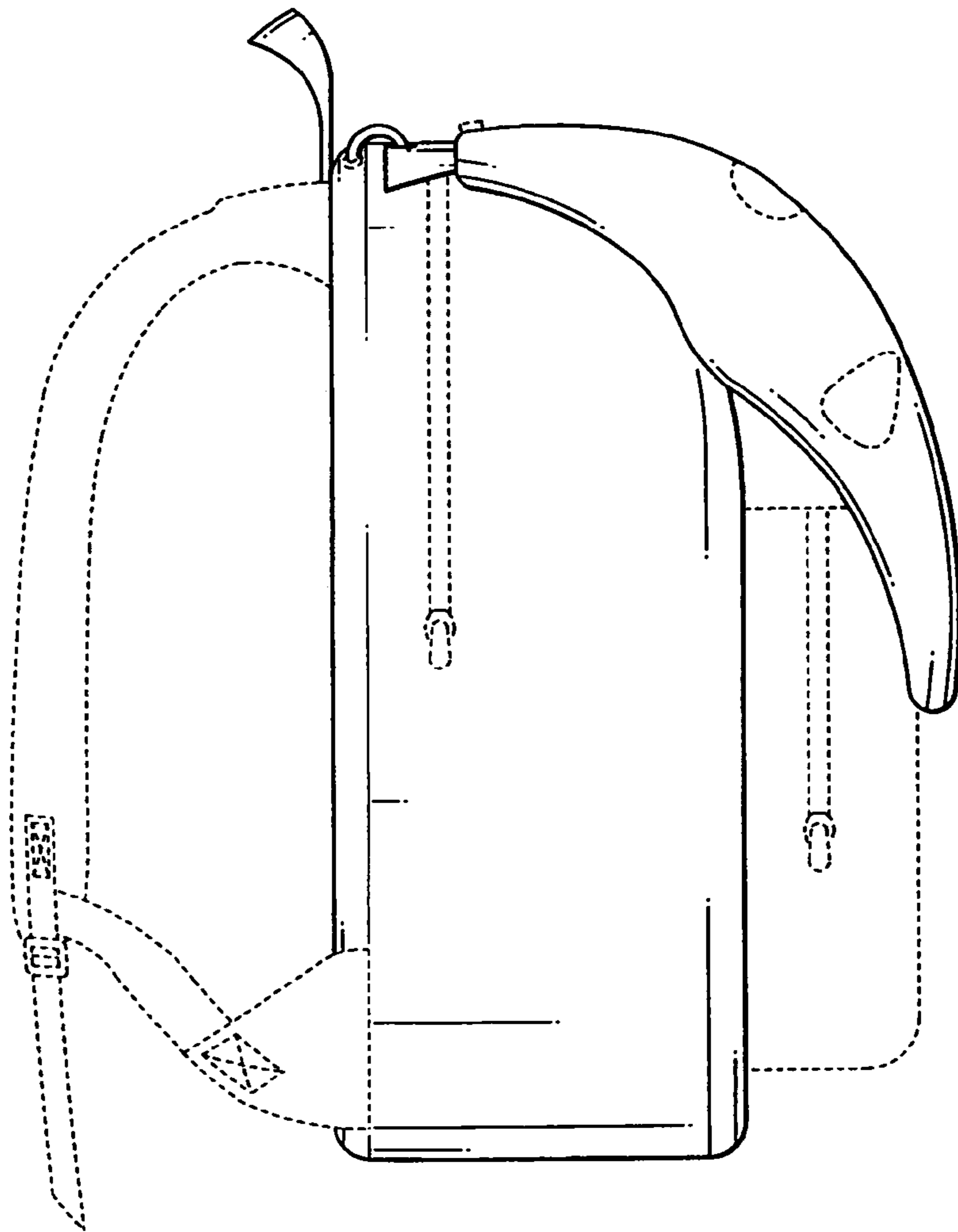


FIG. 26

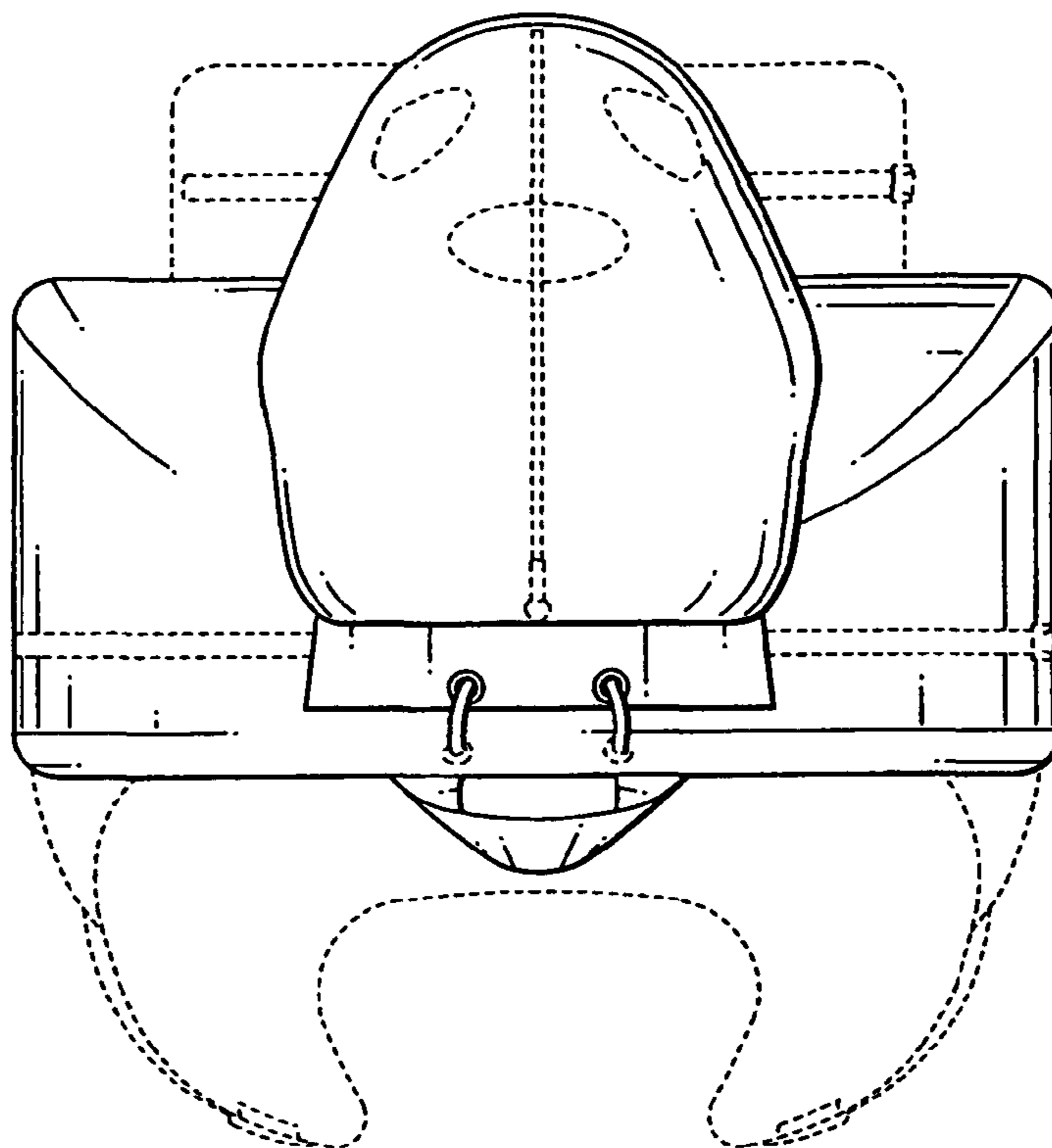


FIG. 27

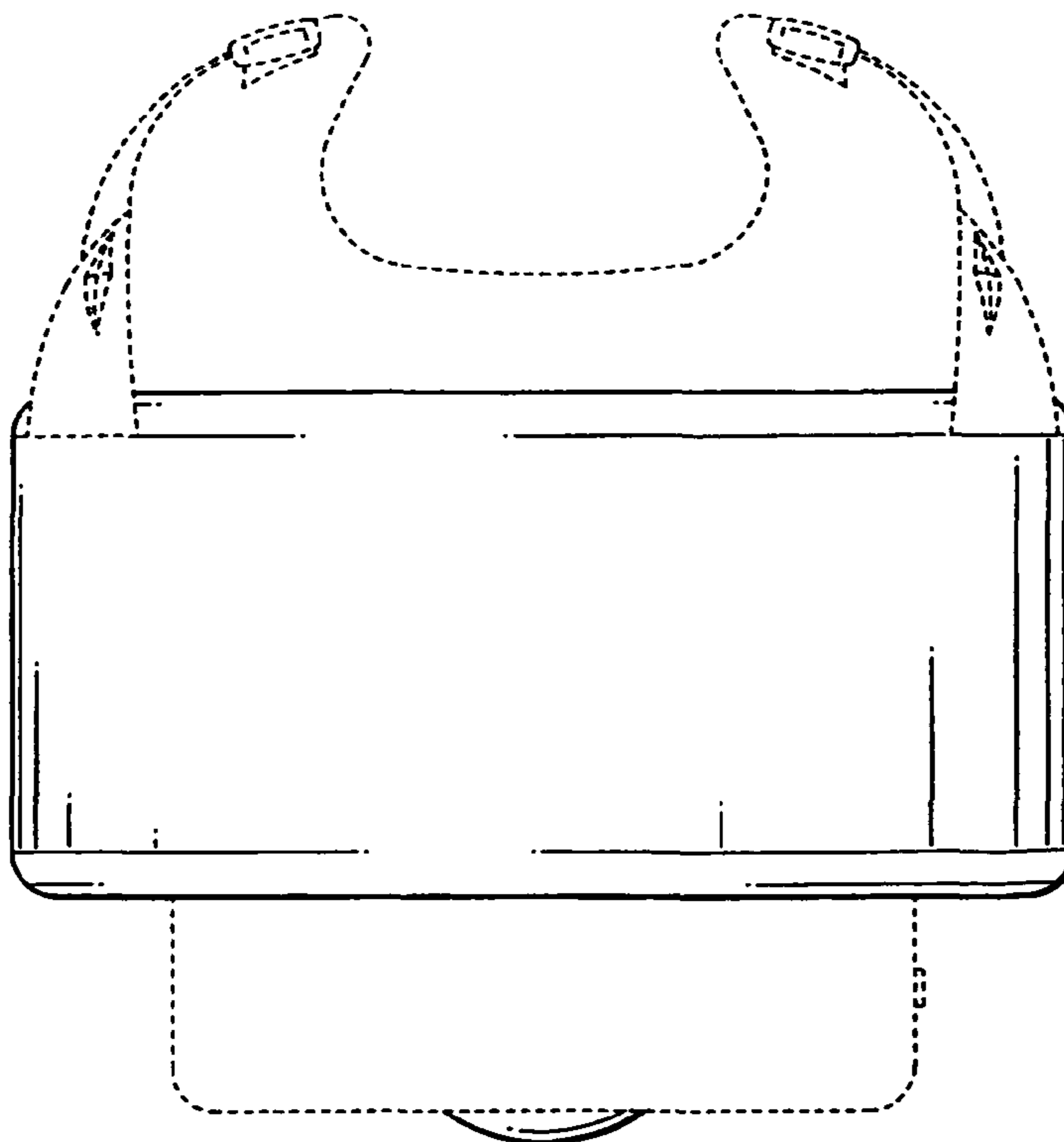


FIG. 28

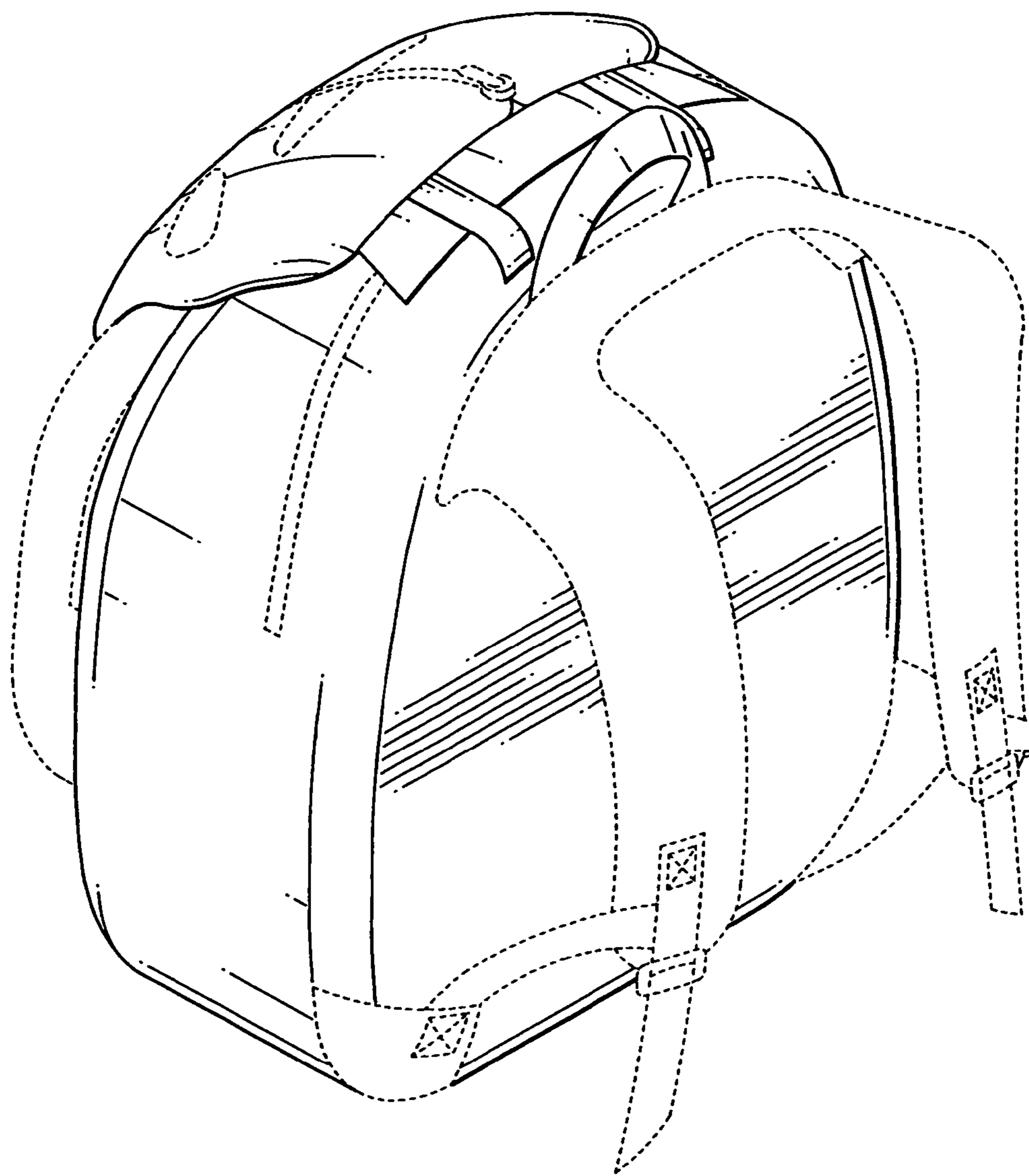


FIG. 29

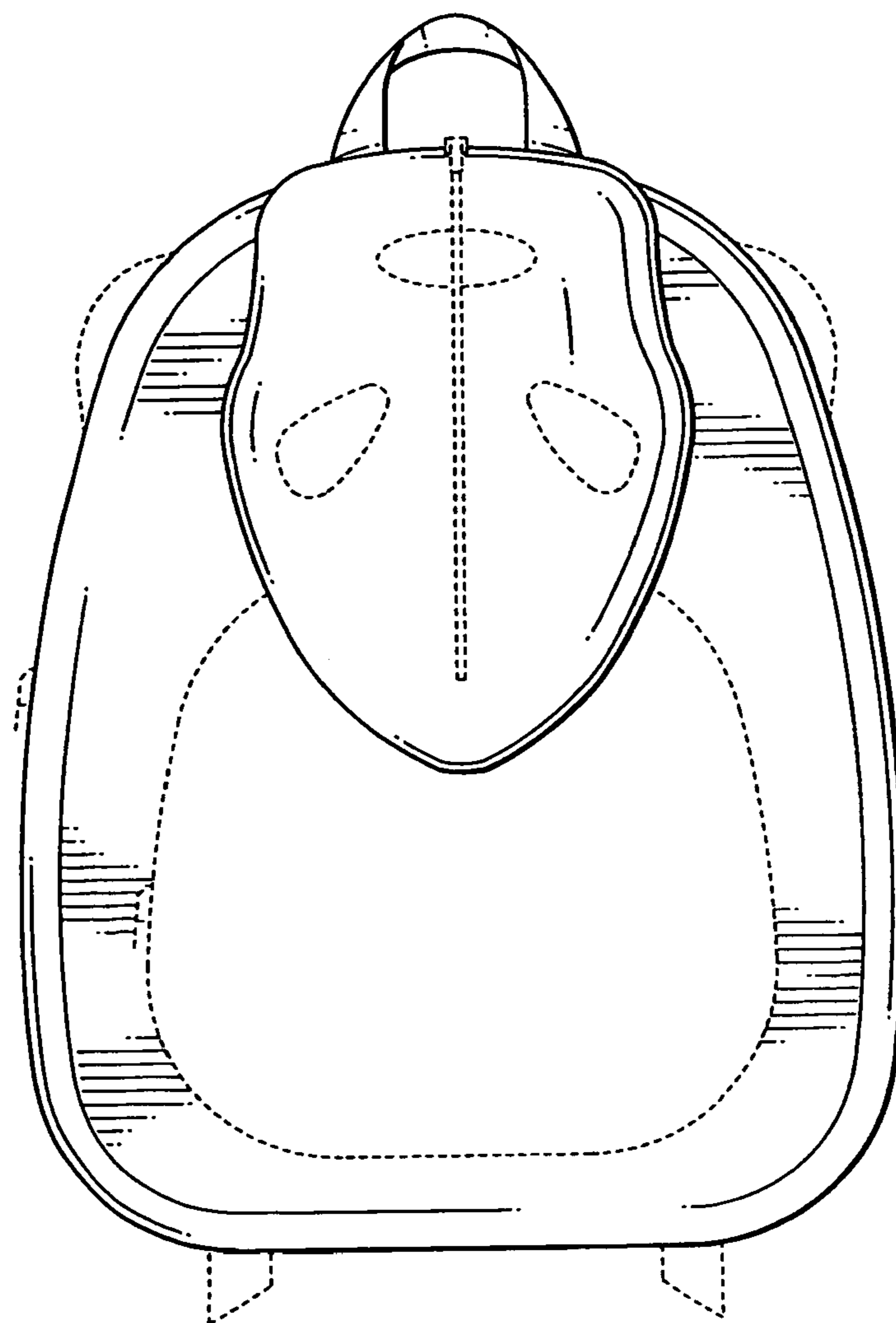


FIG. 30

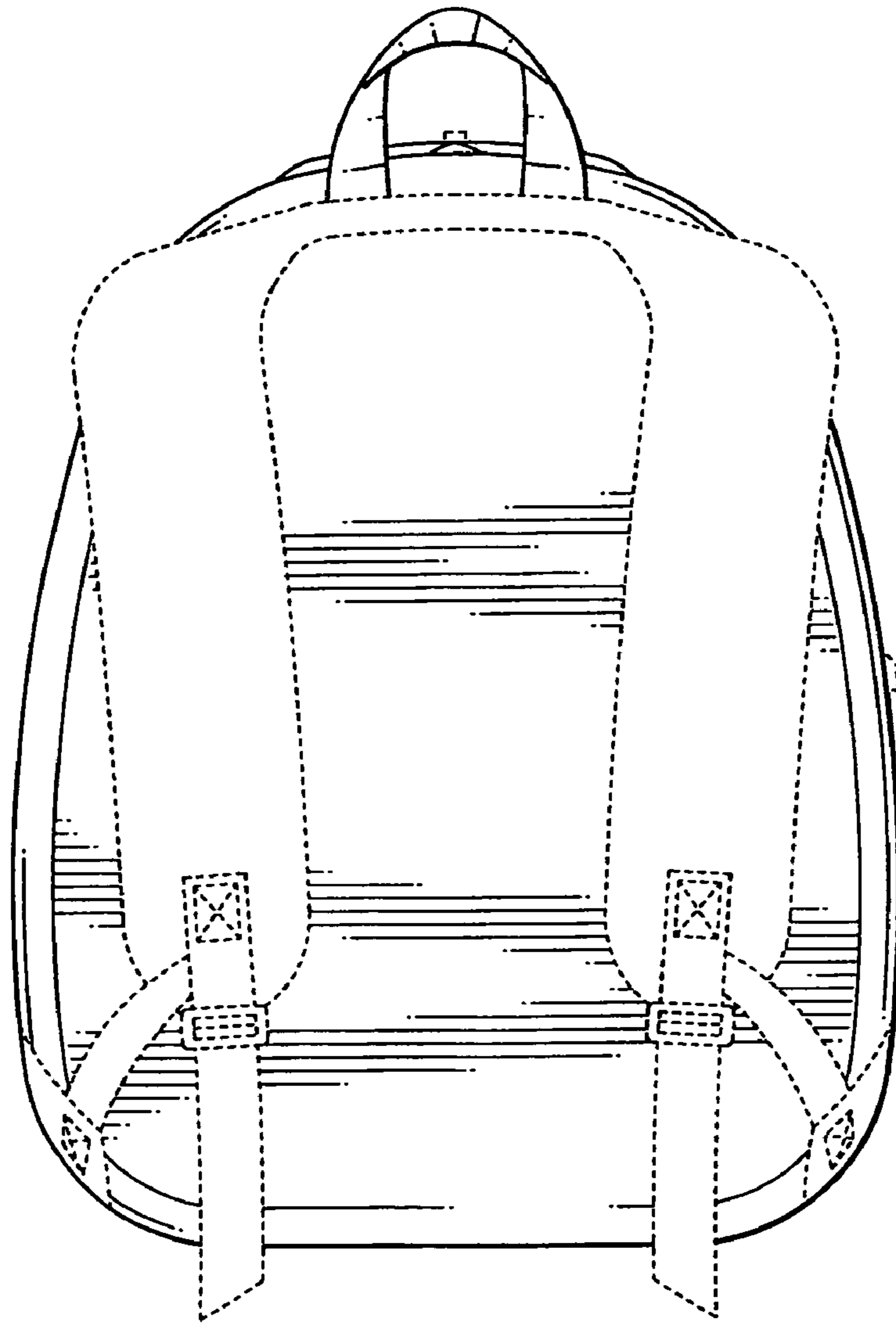


FIG. 31

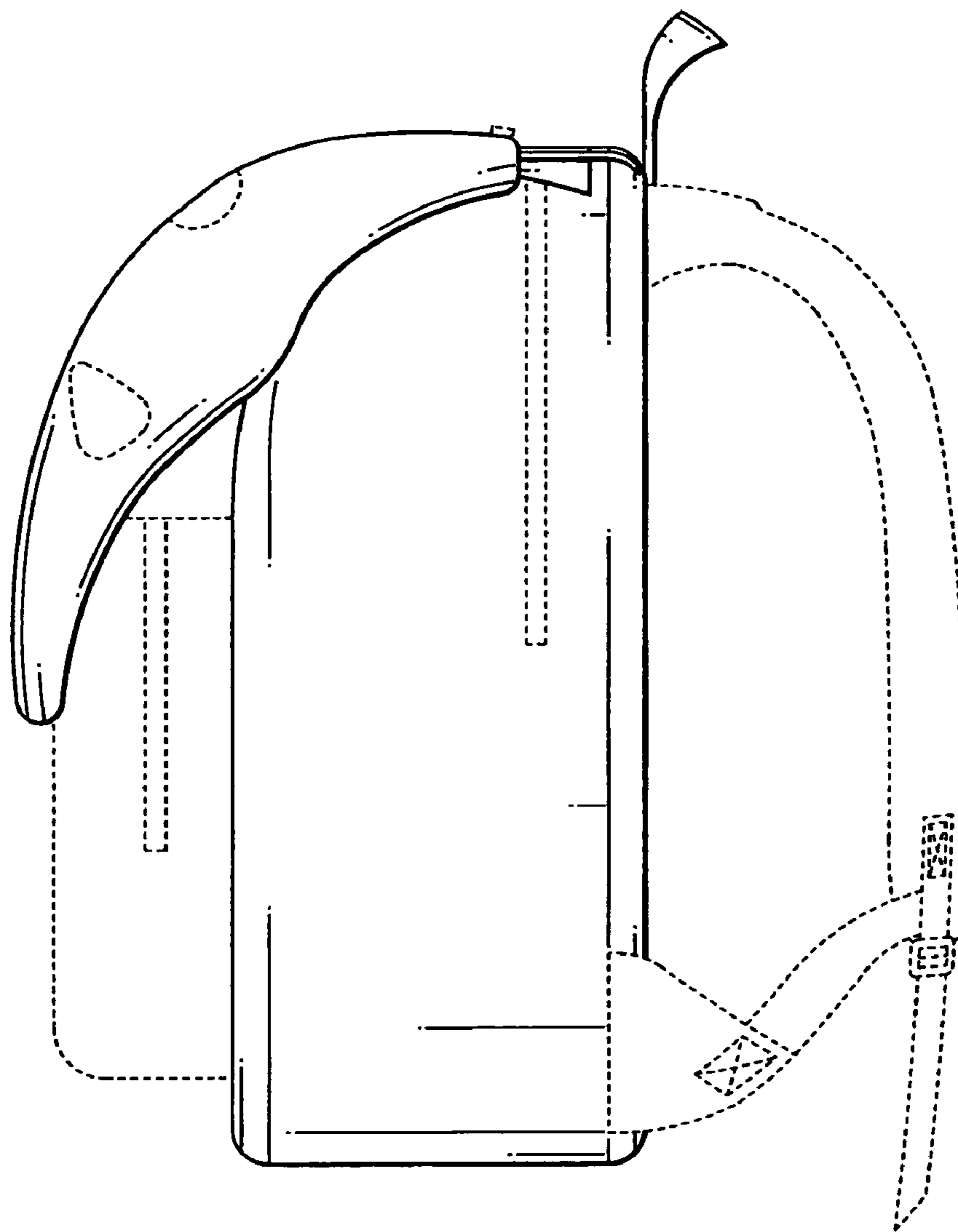


FIG. 32

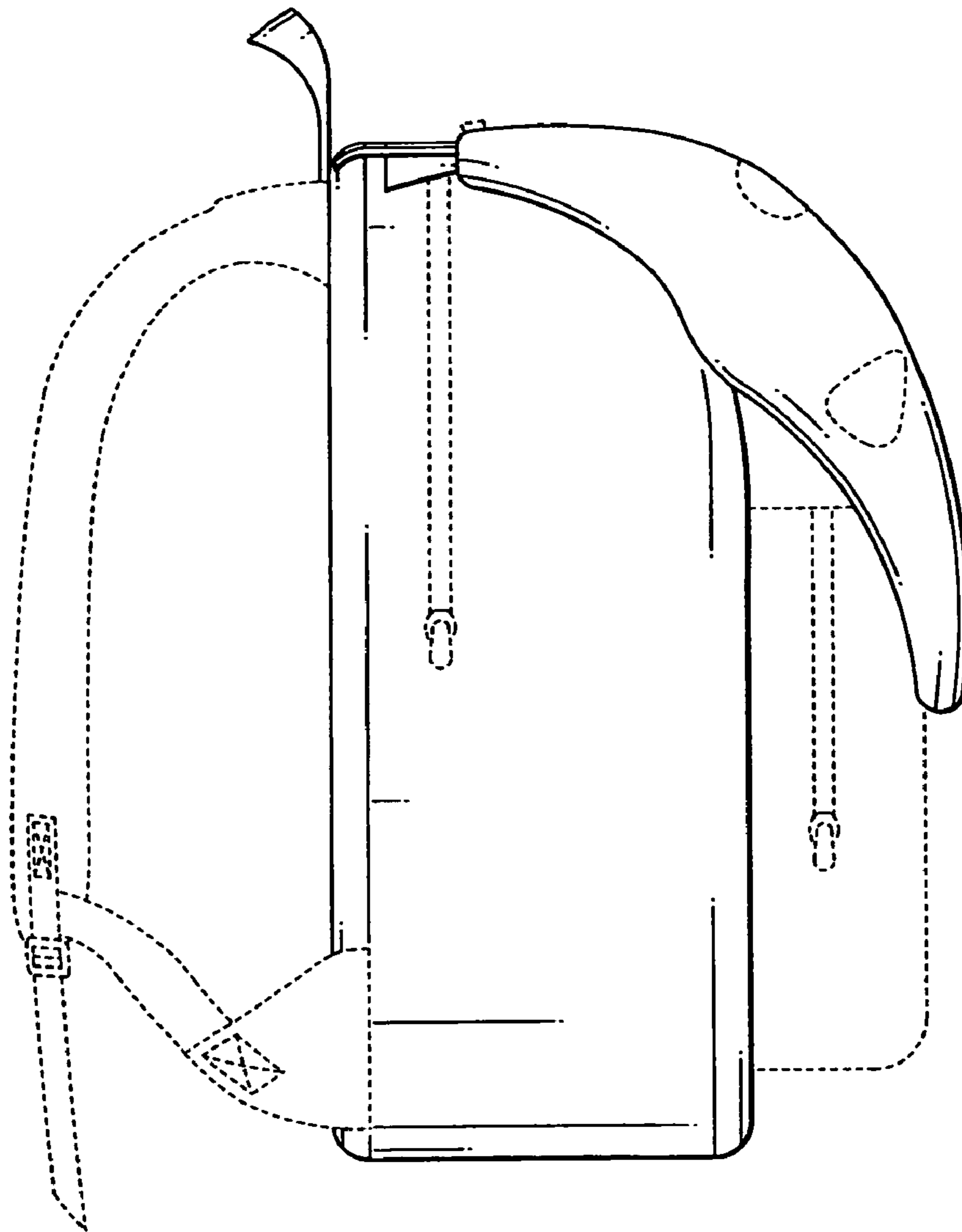


FIG. 33



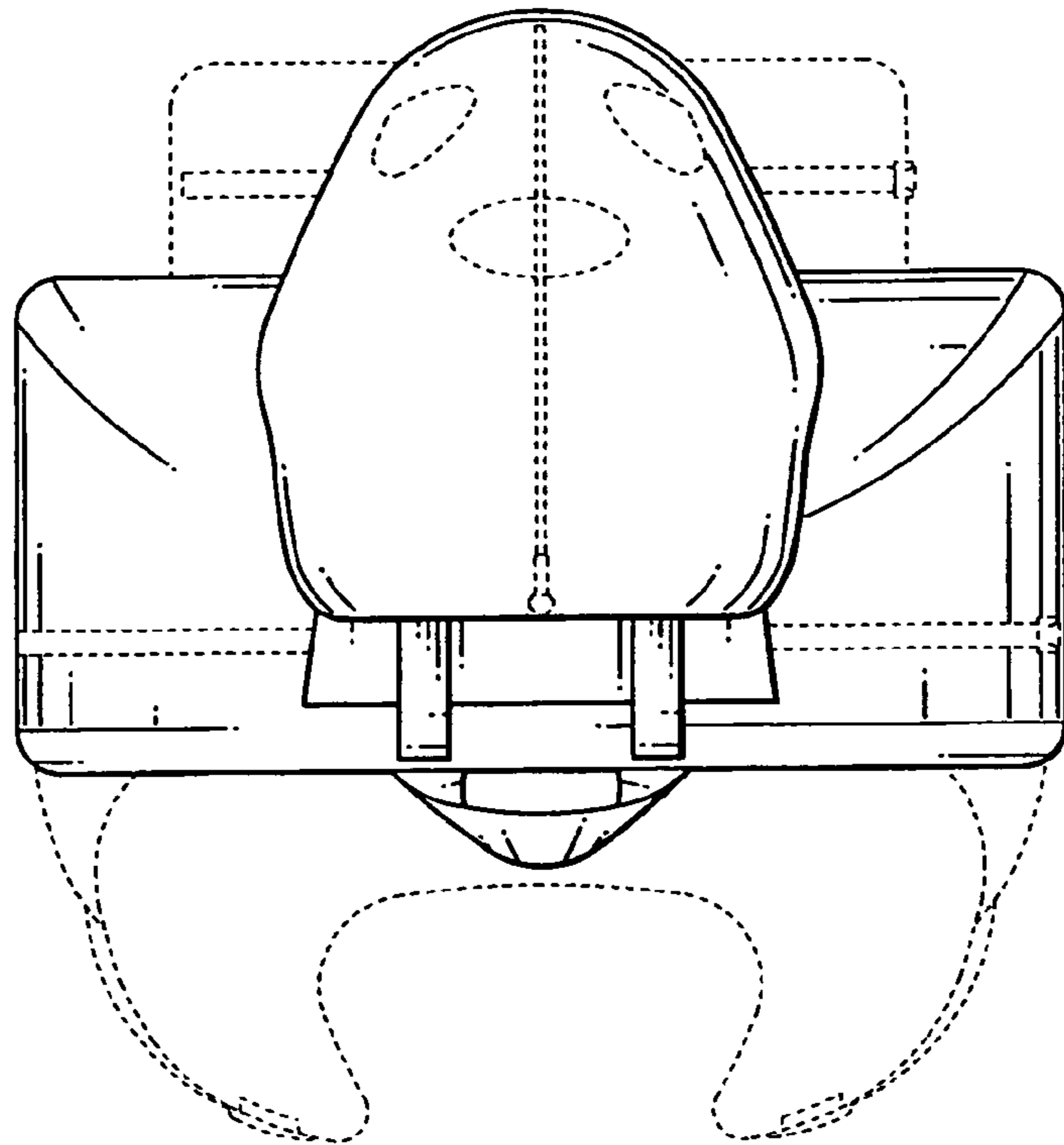


FIG. 34

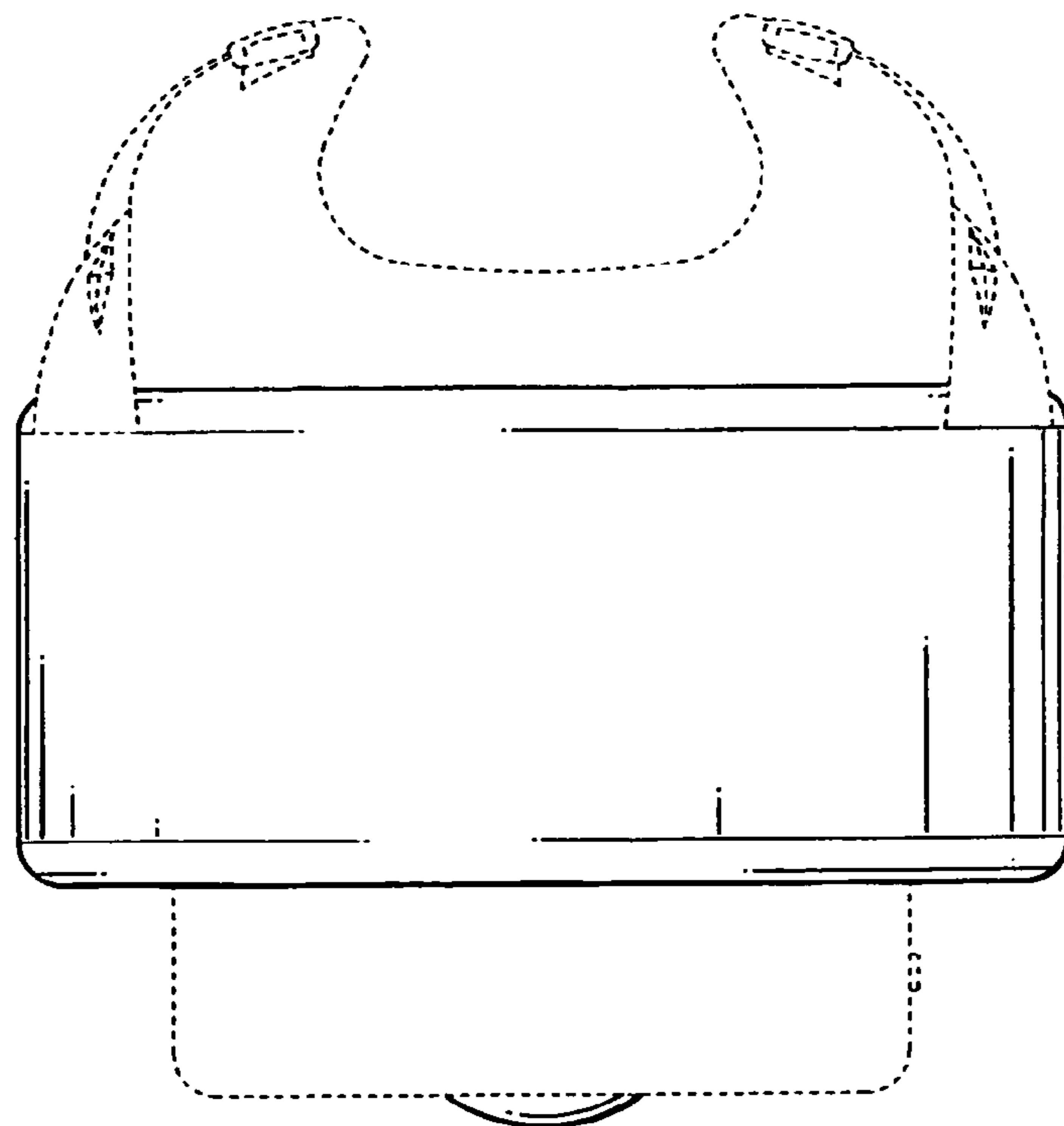


FIG. 35



FIG. 36

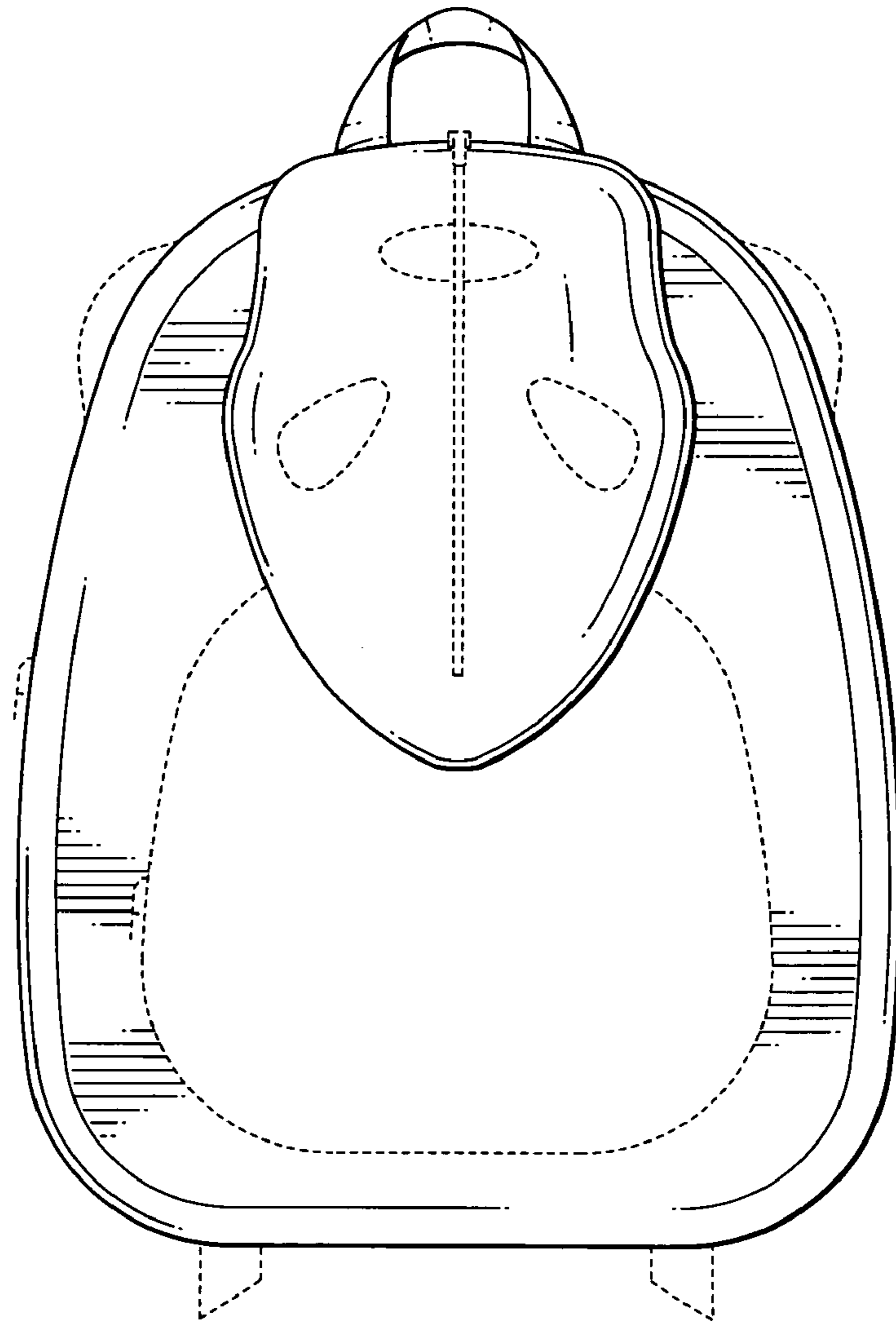


FIG. 37

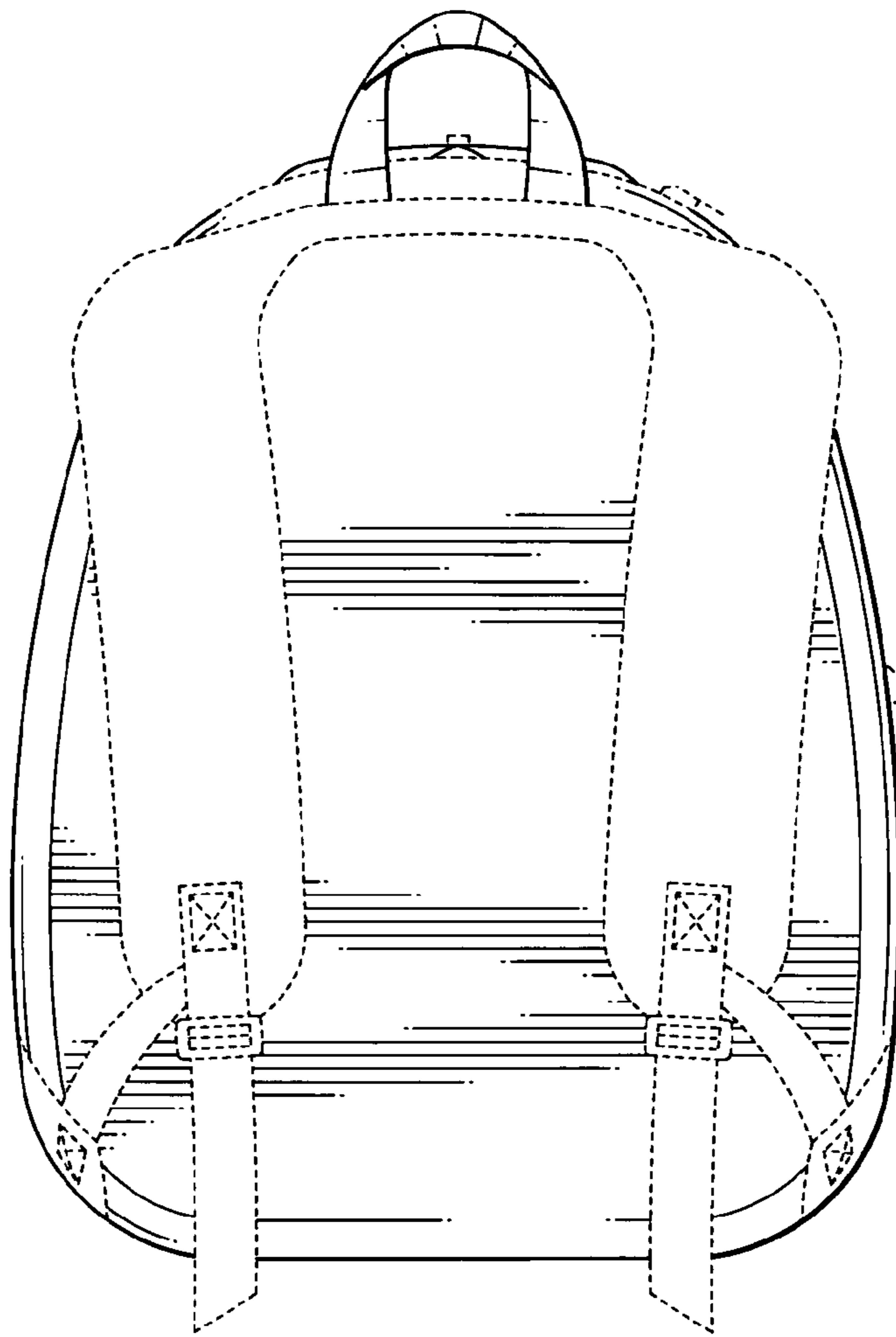


FIG. 38

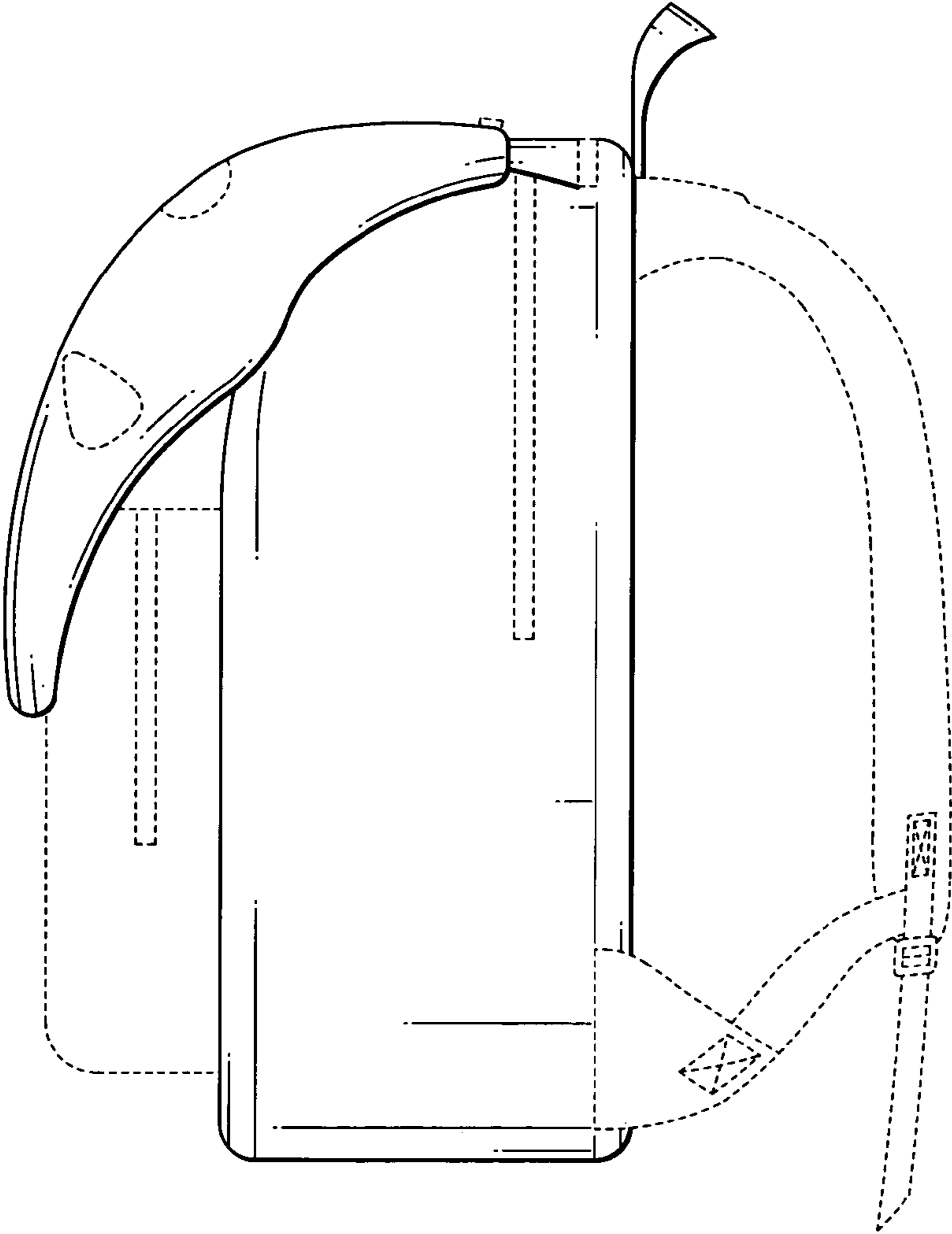


FIG. 39

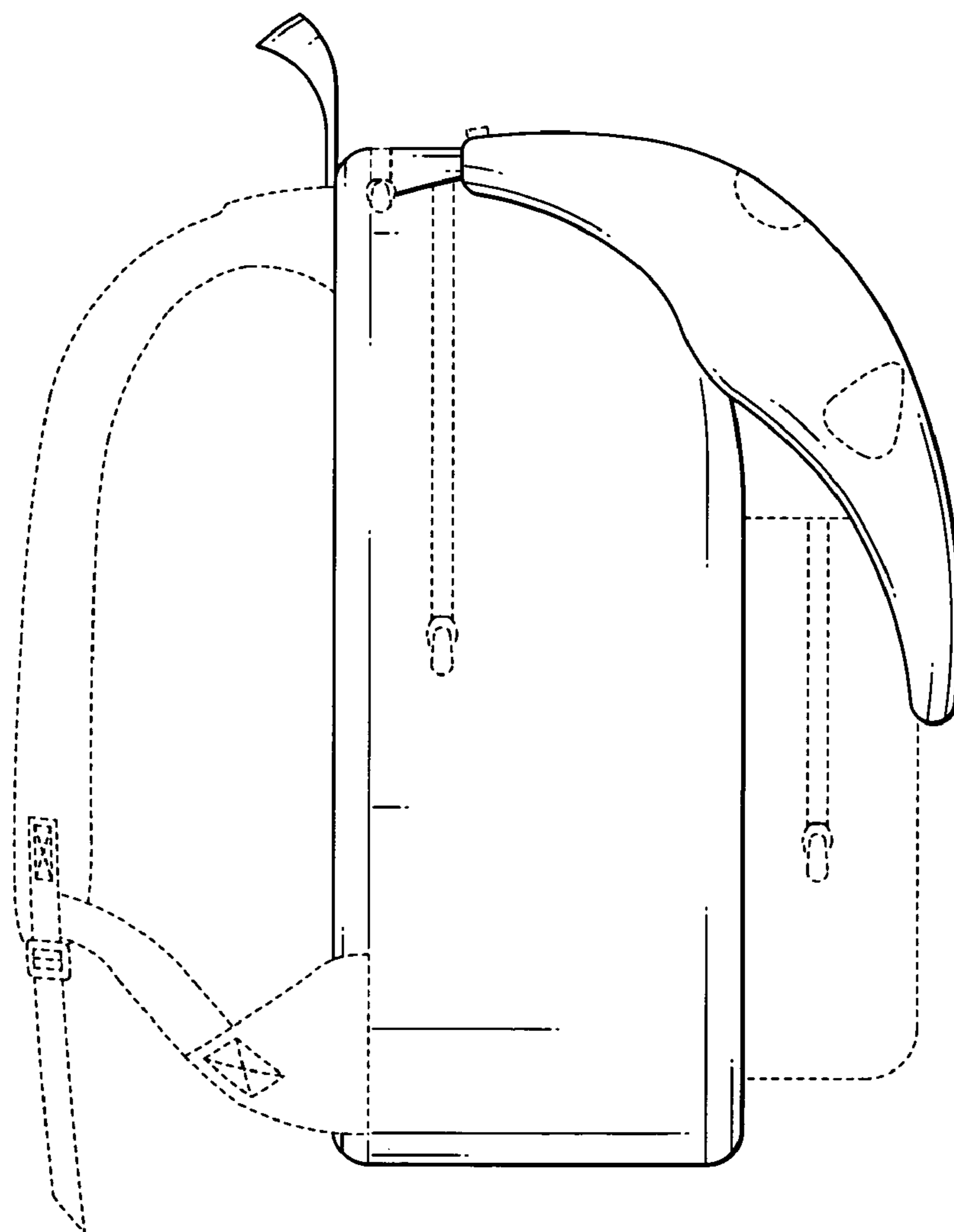


FIG. 40

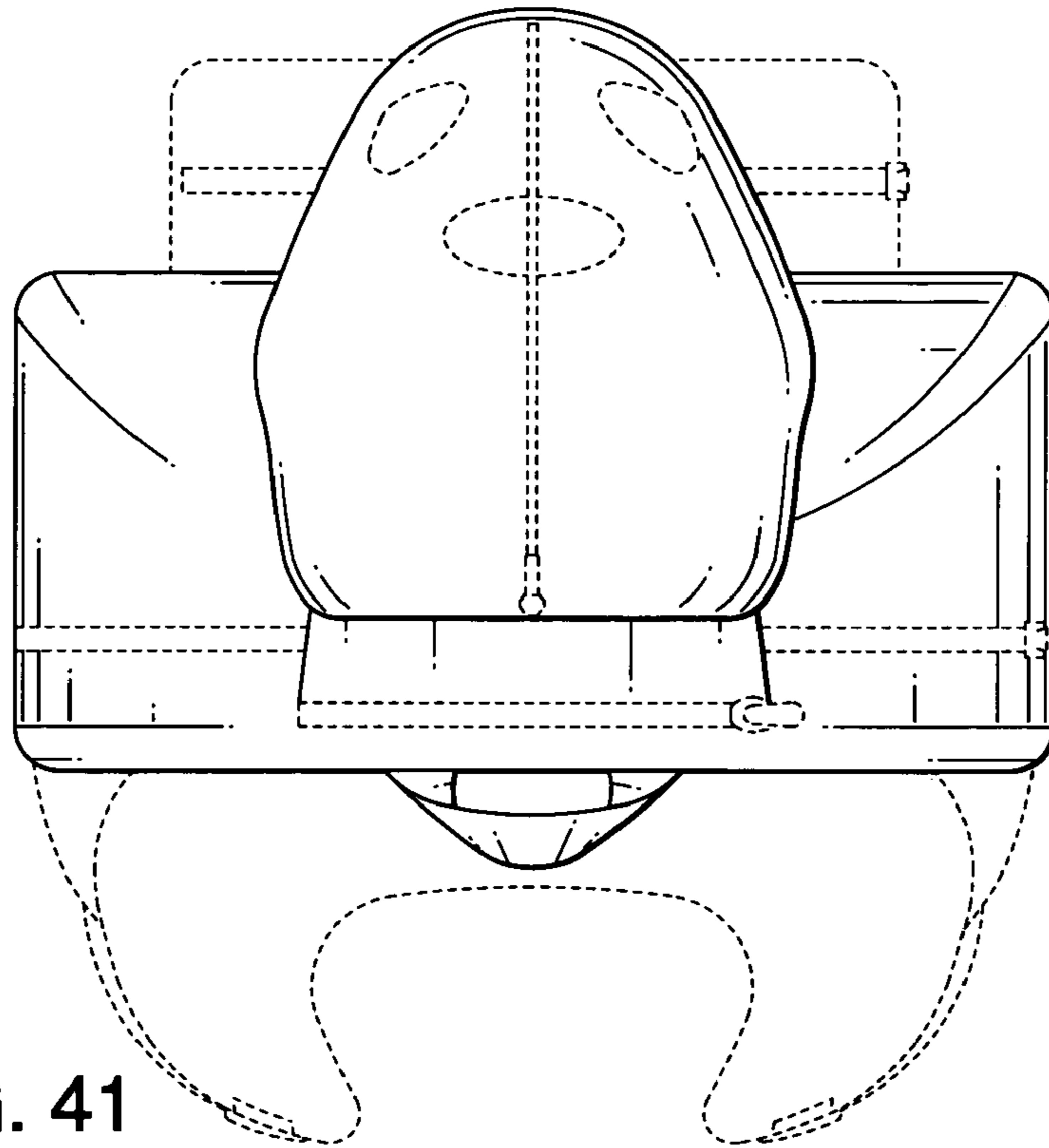


FIG. 41

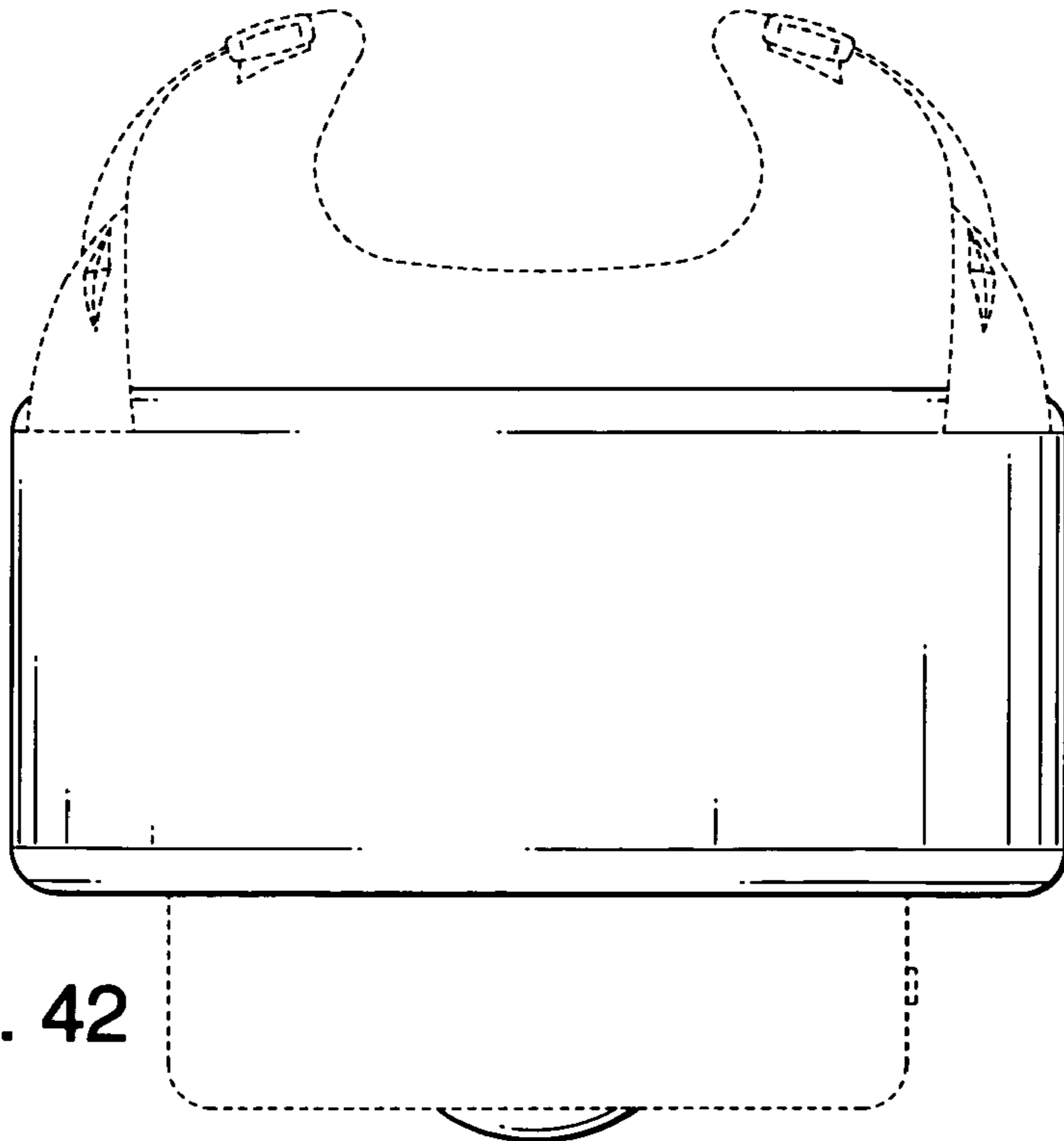


FIG. 42



FIG. 43



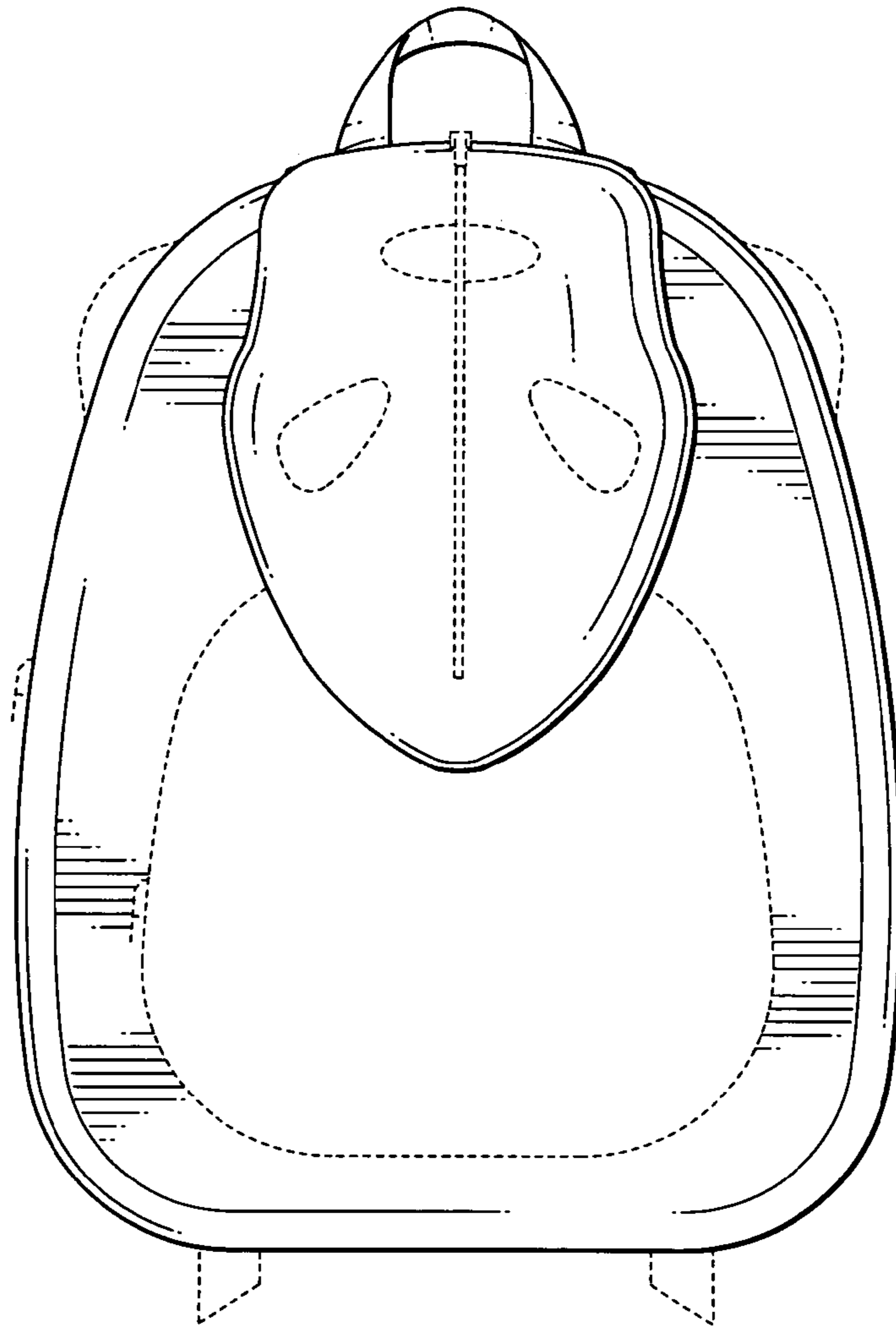


FIG. 44

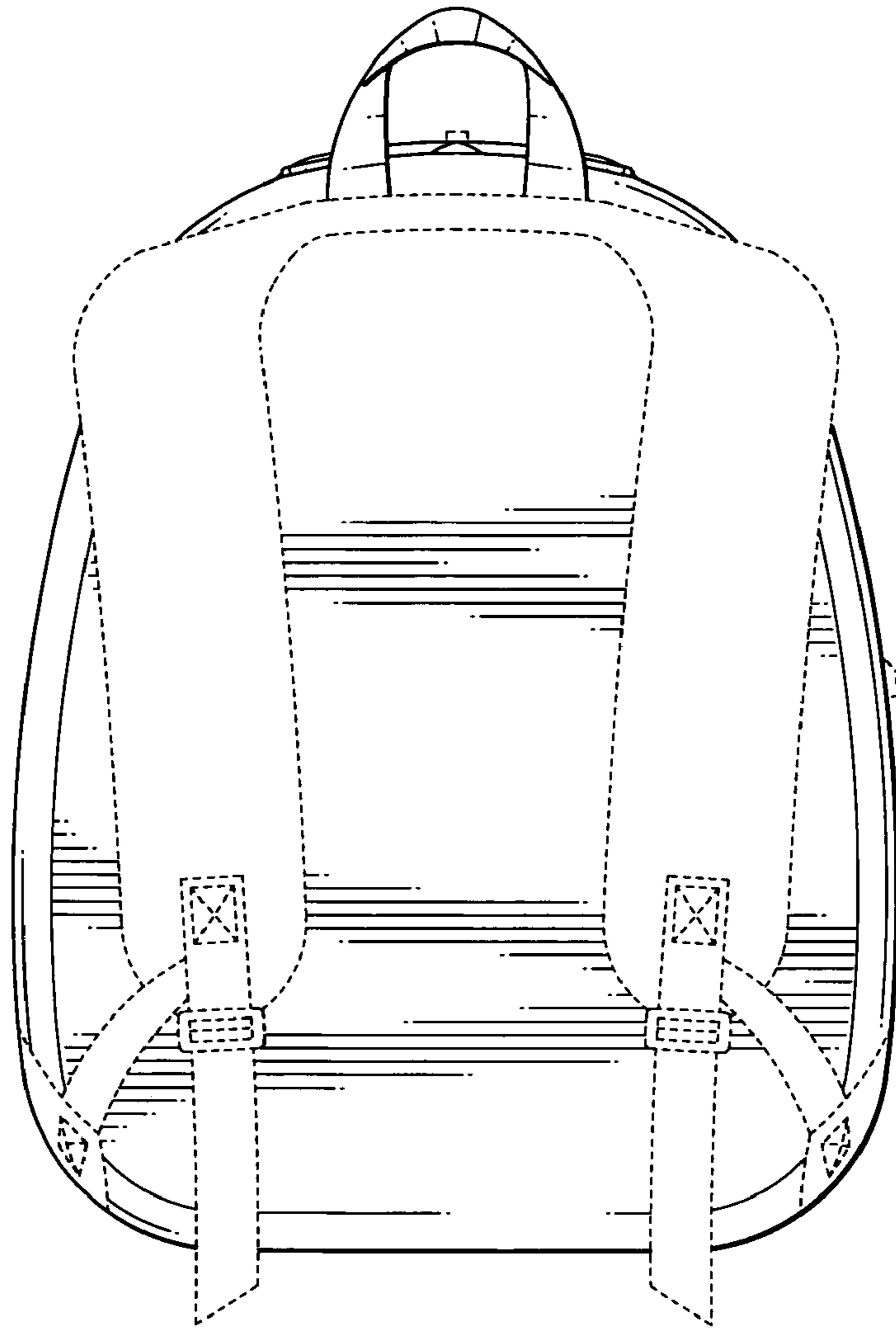


FIG. 45

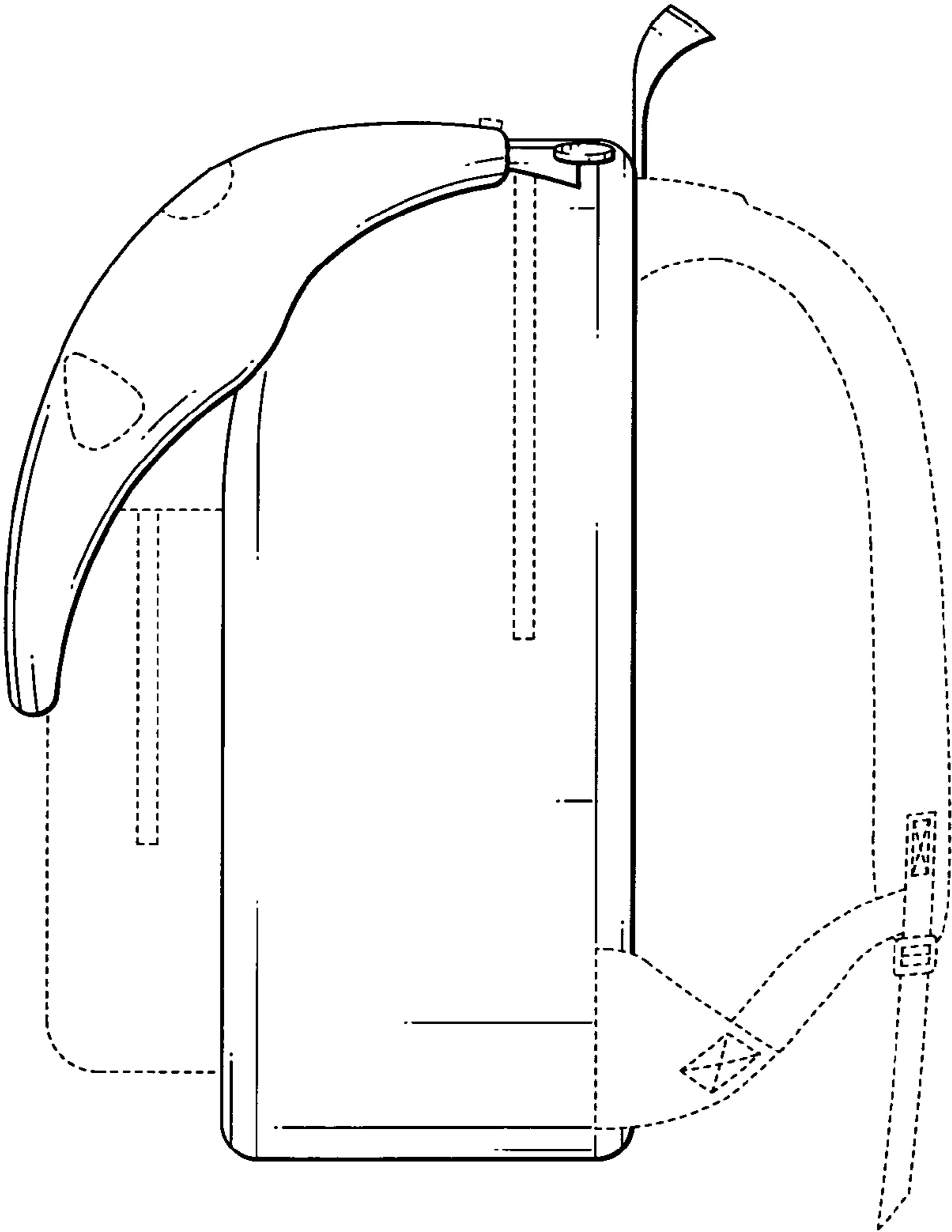


FIG. 46

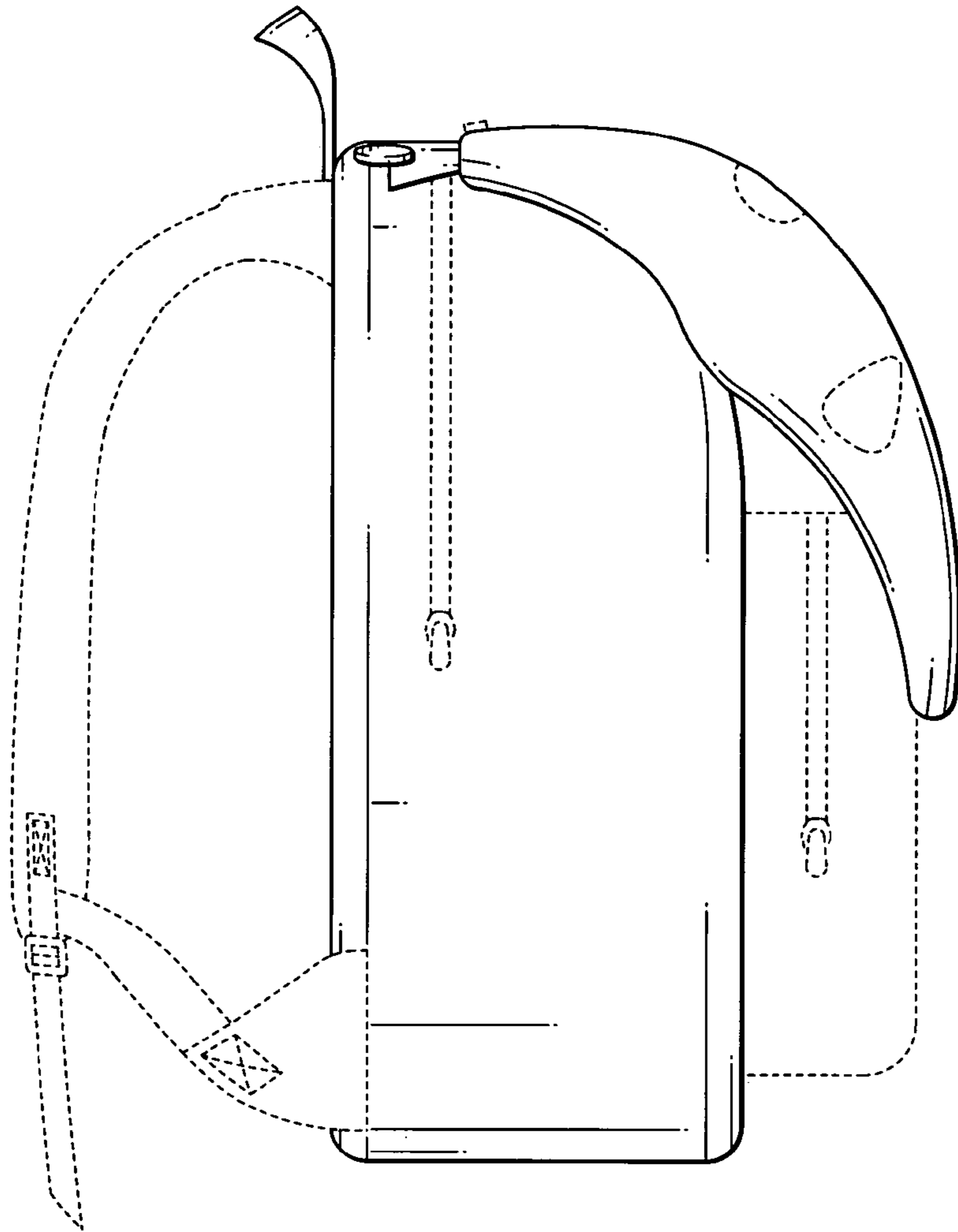


FIG. 47

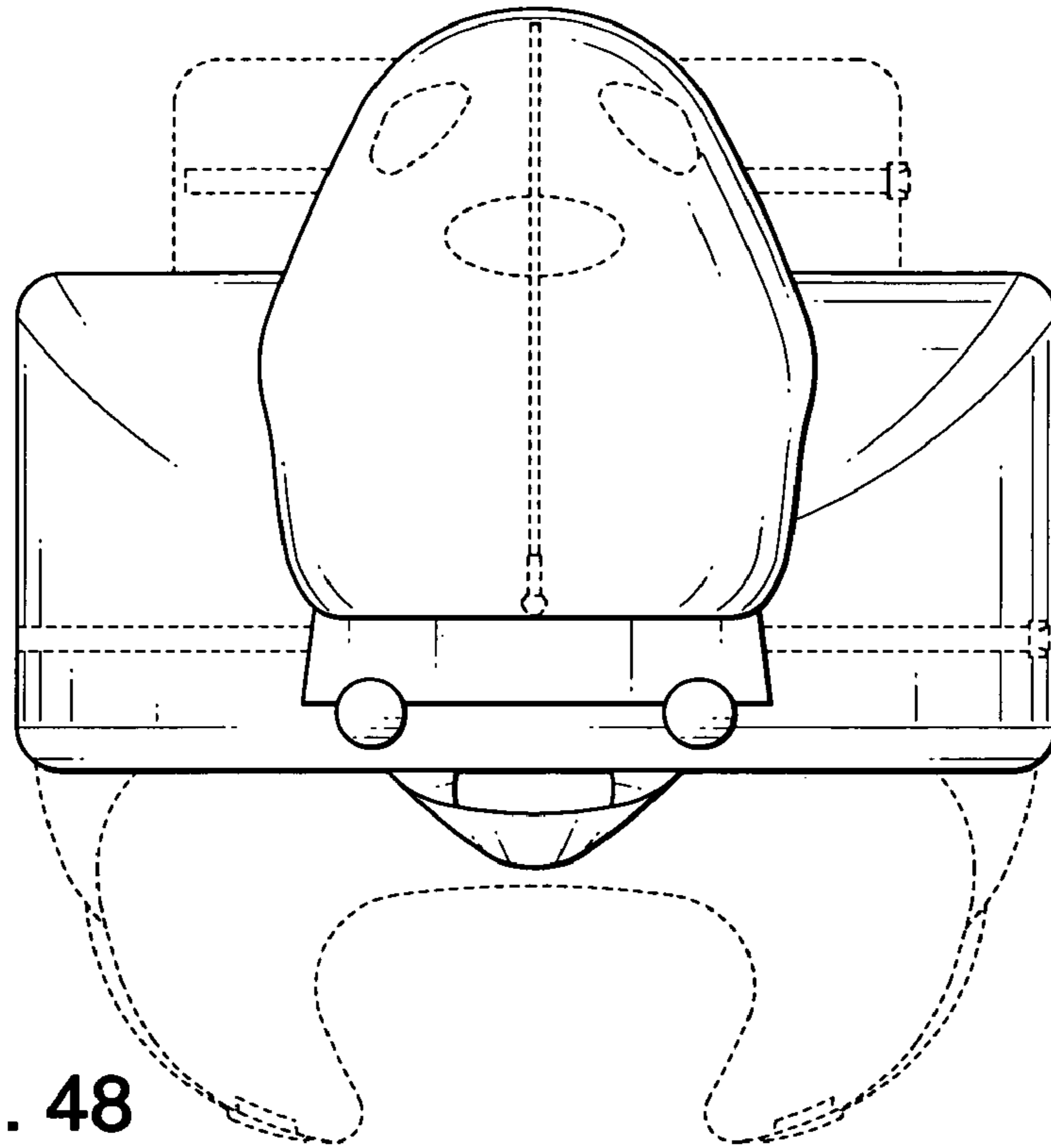


FIG. 48

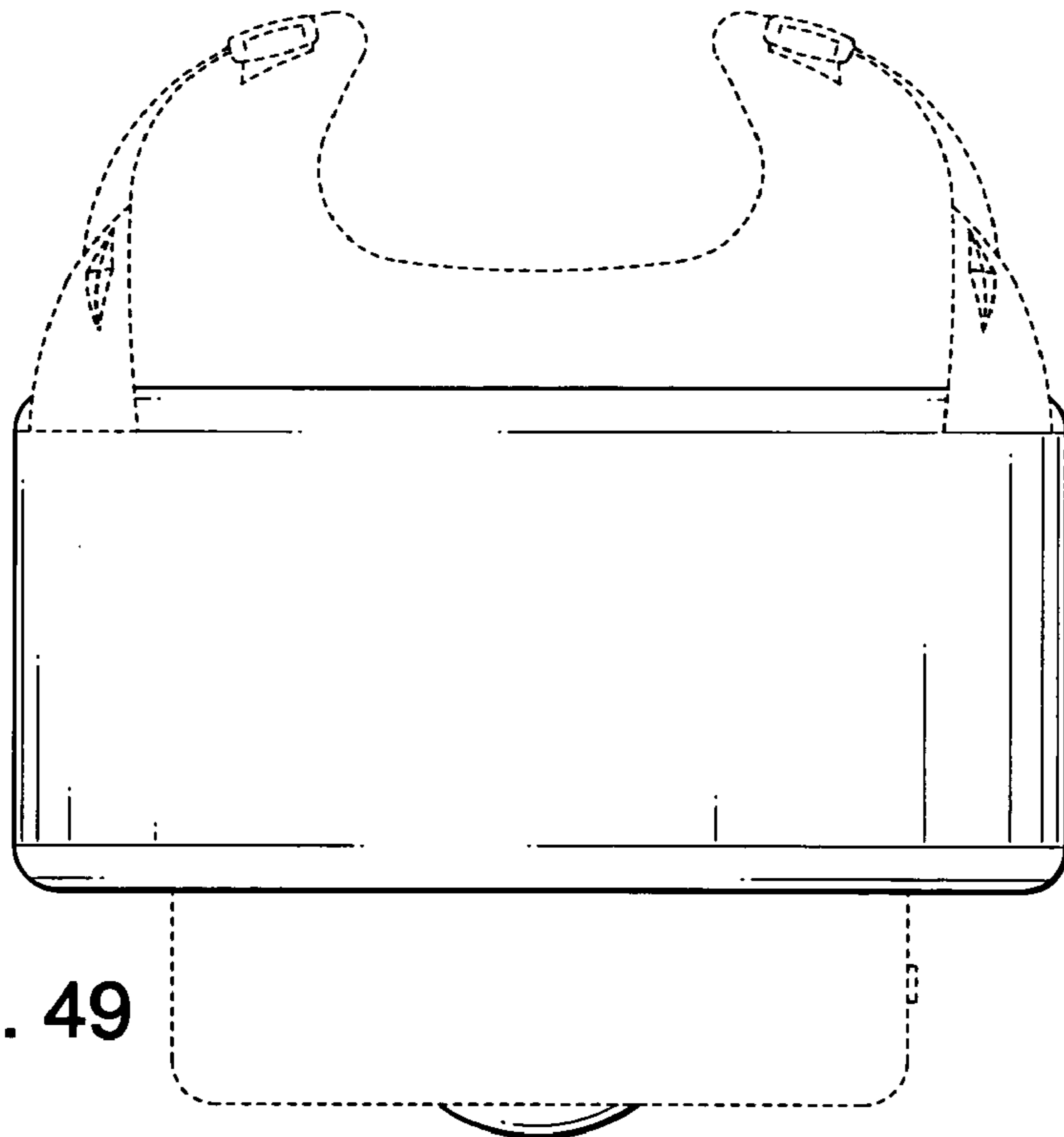


FIG. 49



FIG. 50

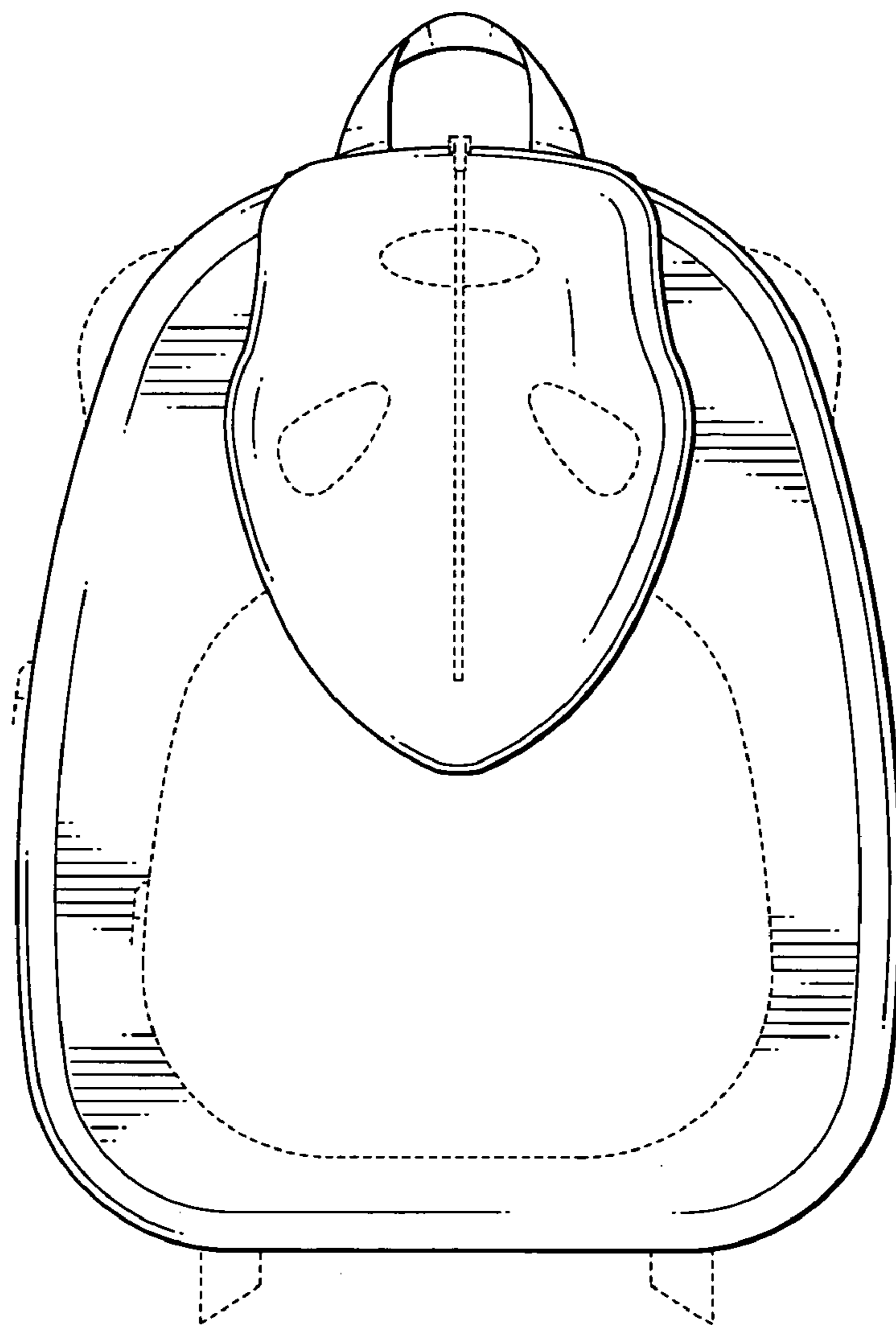


FIG. 51

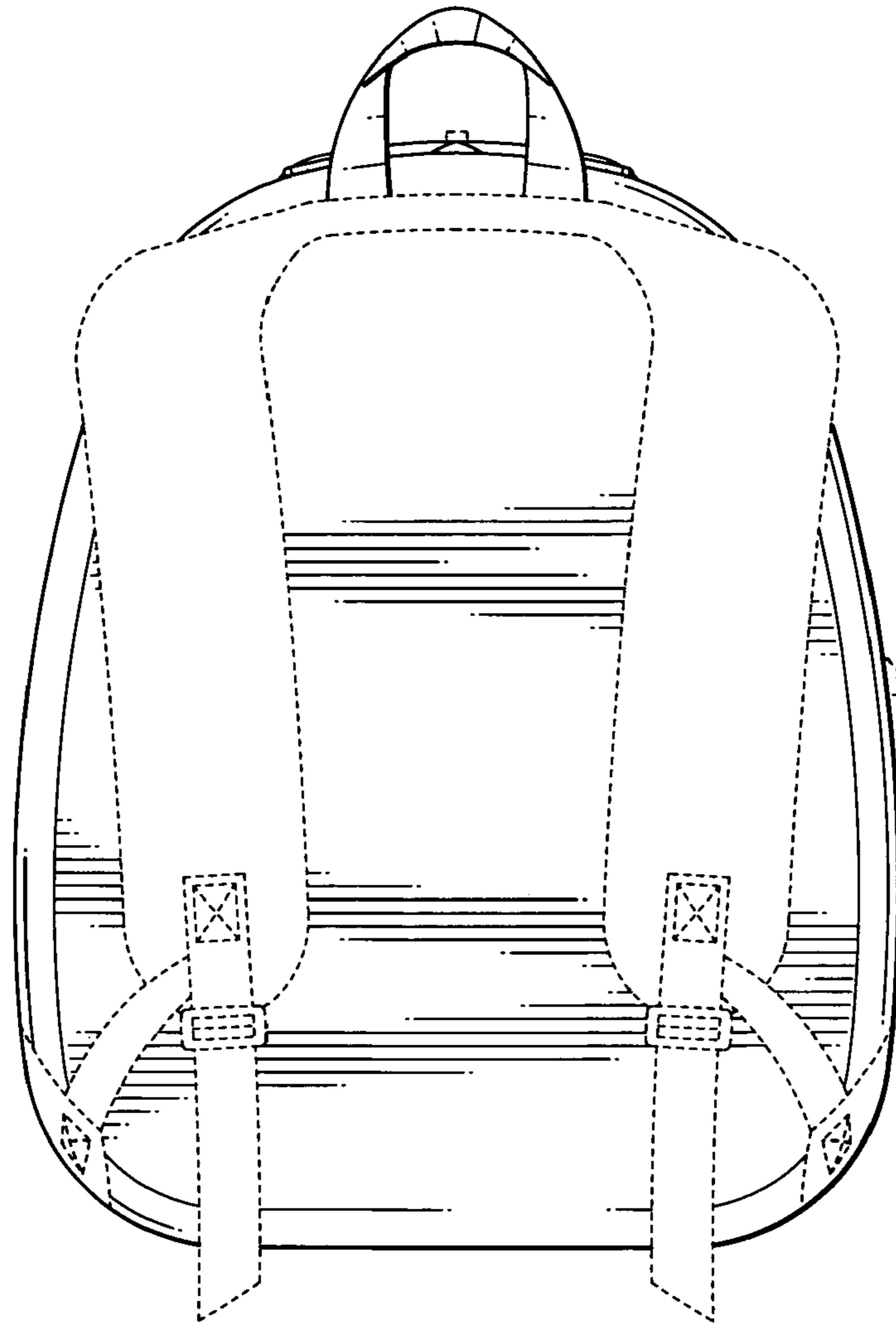


FIG. 52



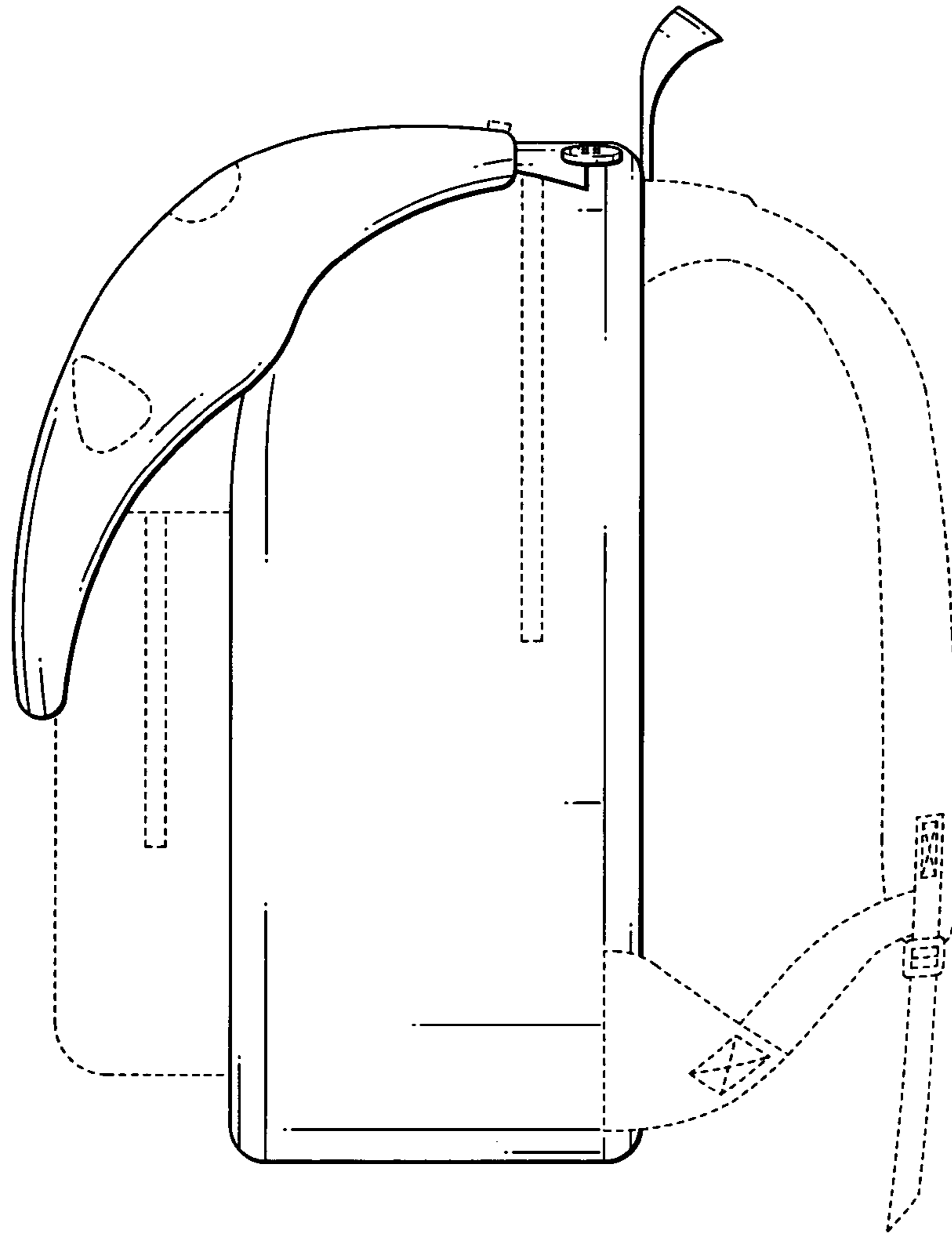


FIG. 53

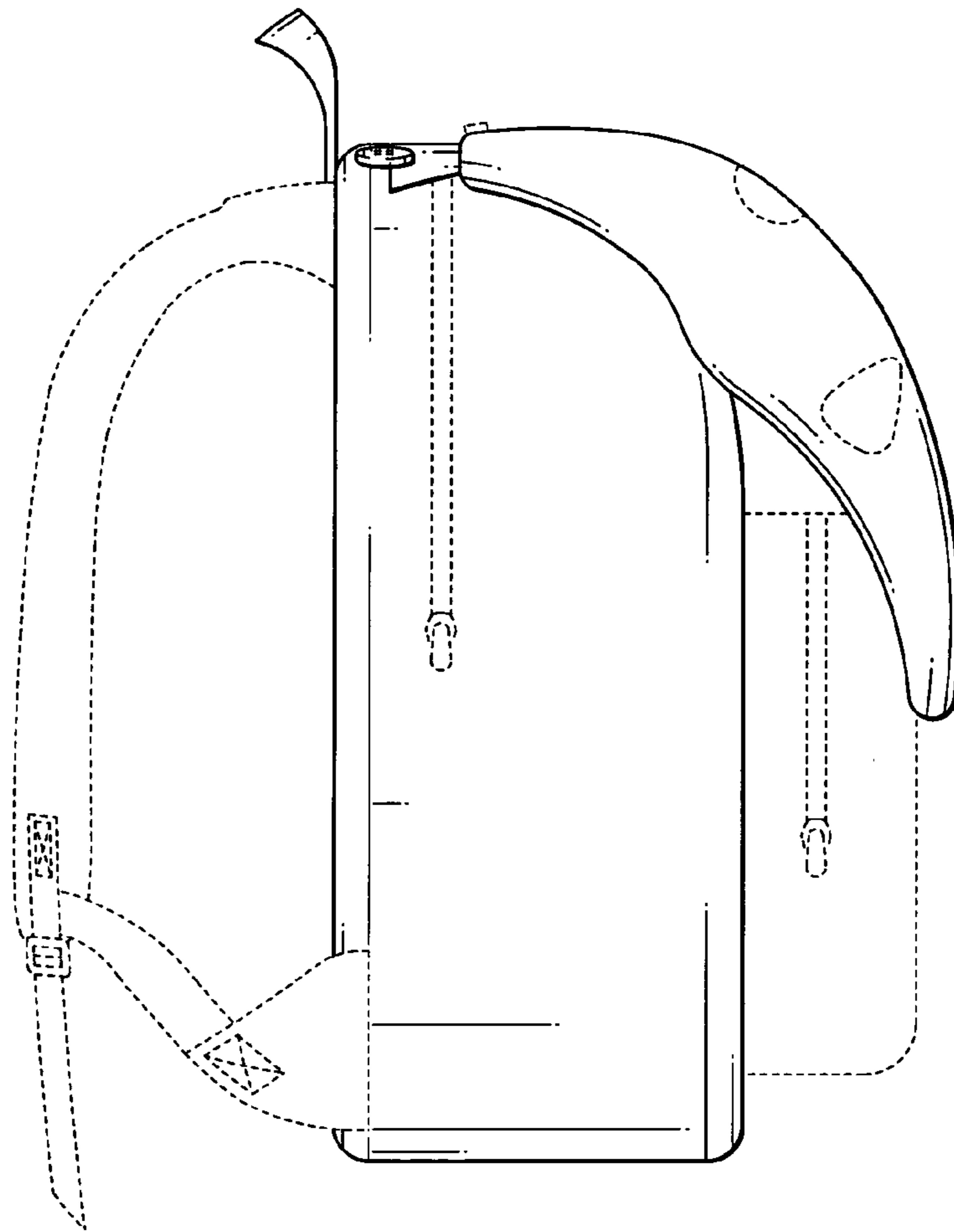


FIG. 54

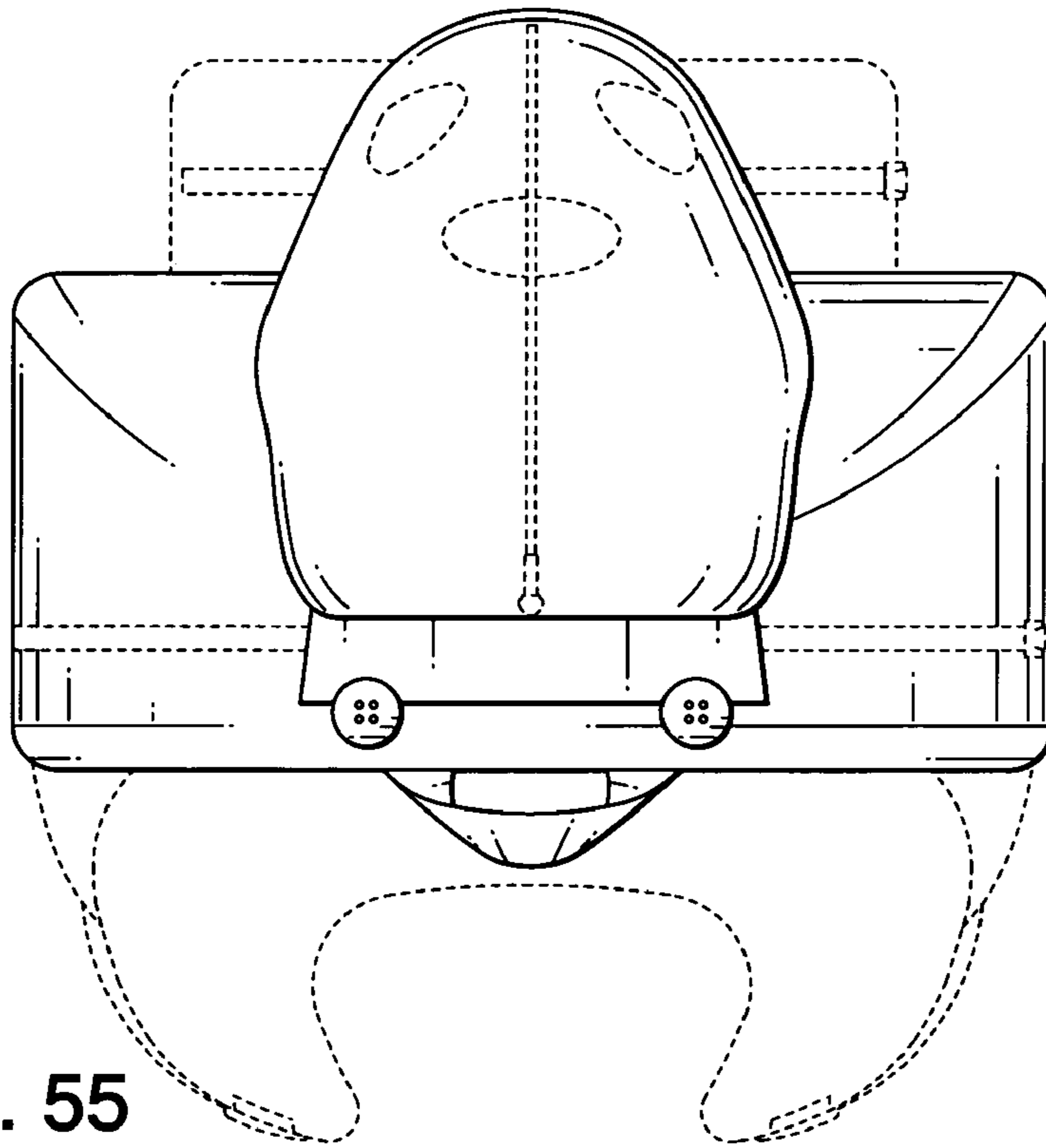


FIG. 55

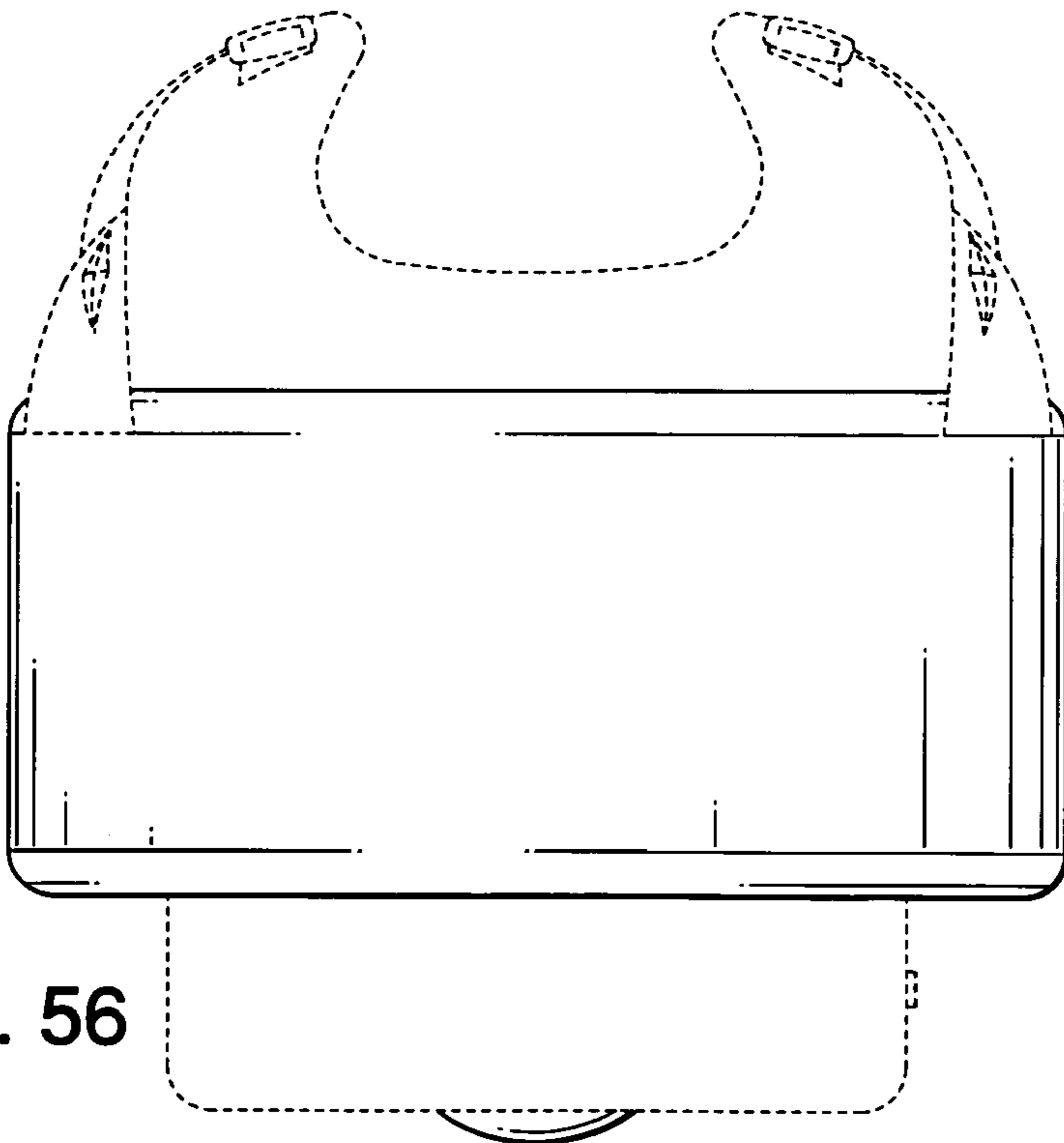


FIG. 56



FIG. 57

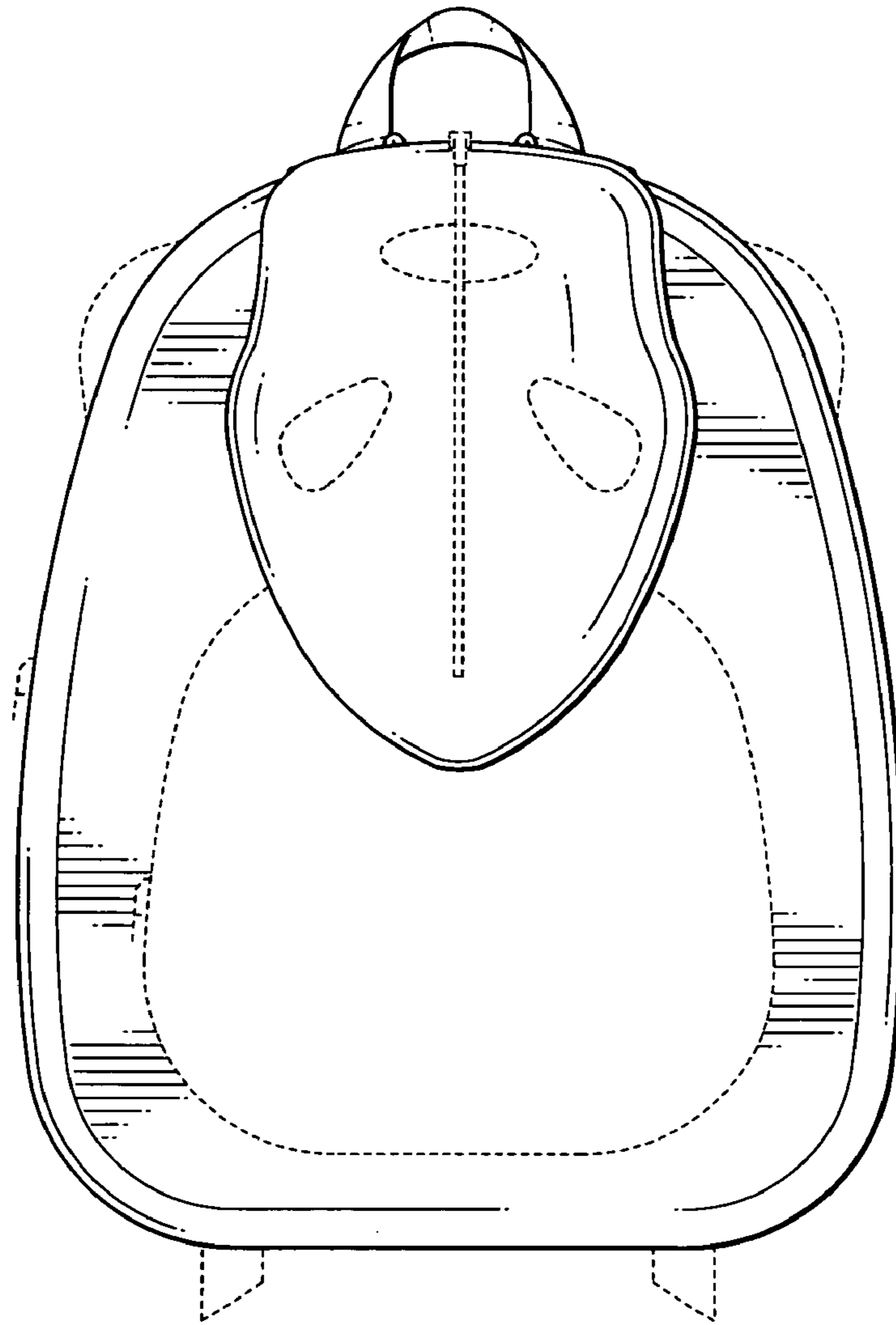


FIG. 58

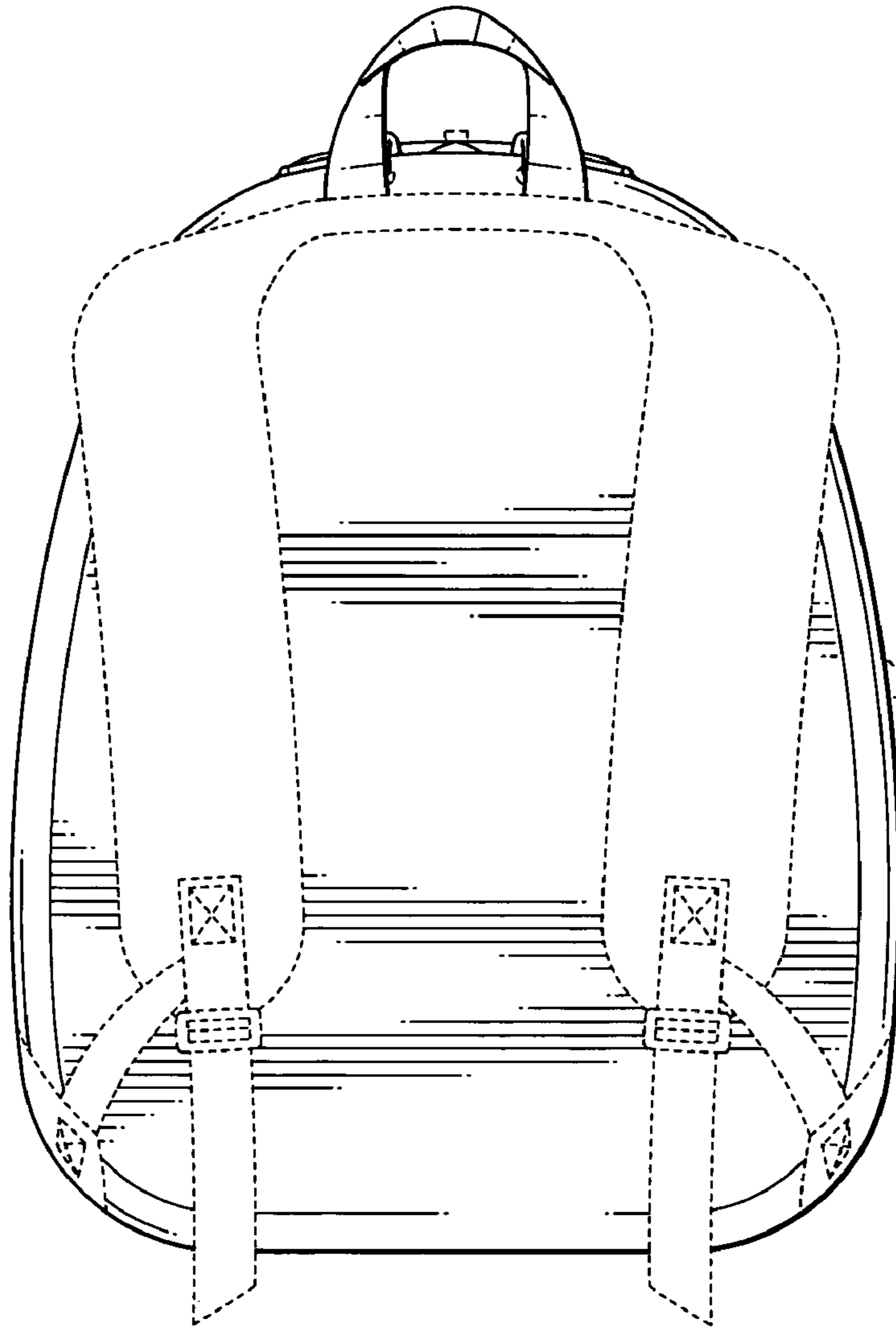


FIG. 59

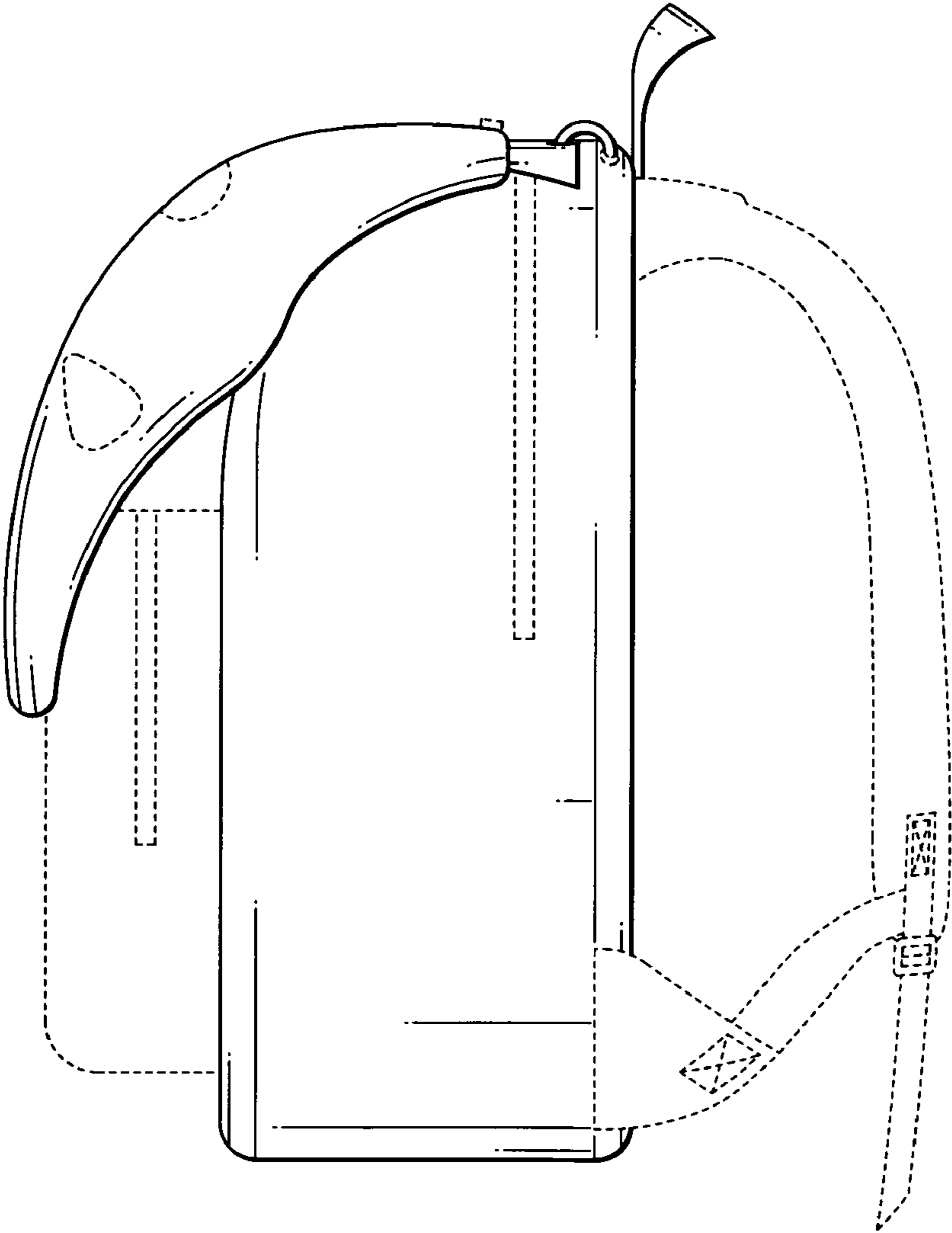


FIG. 60

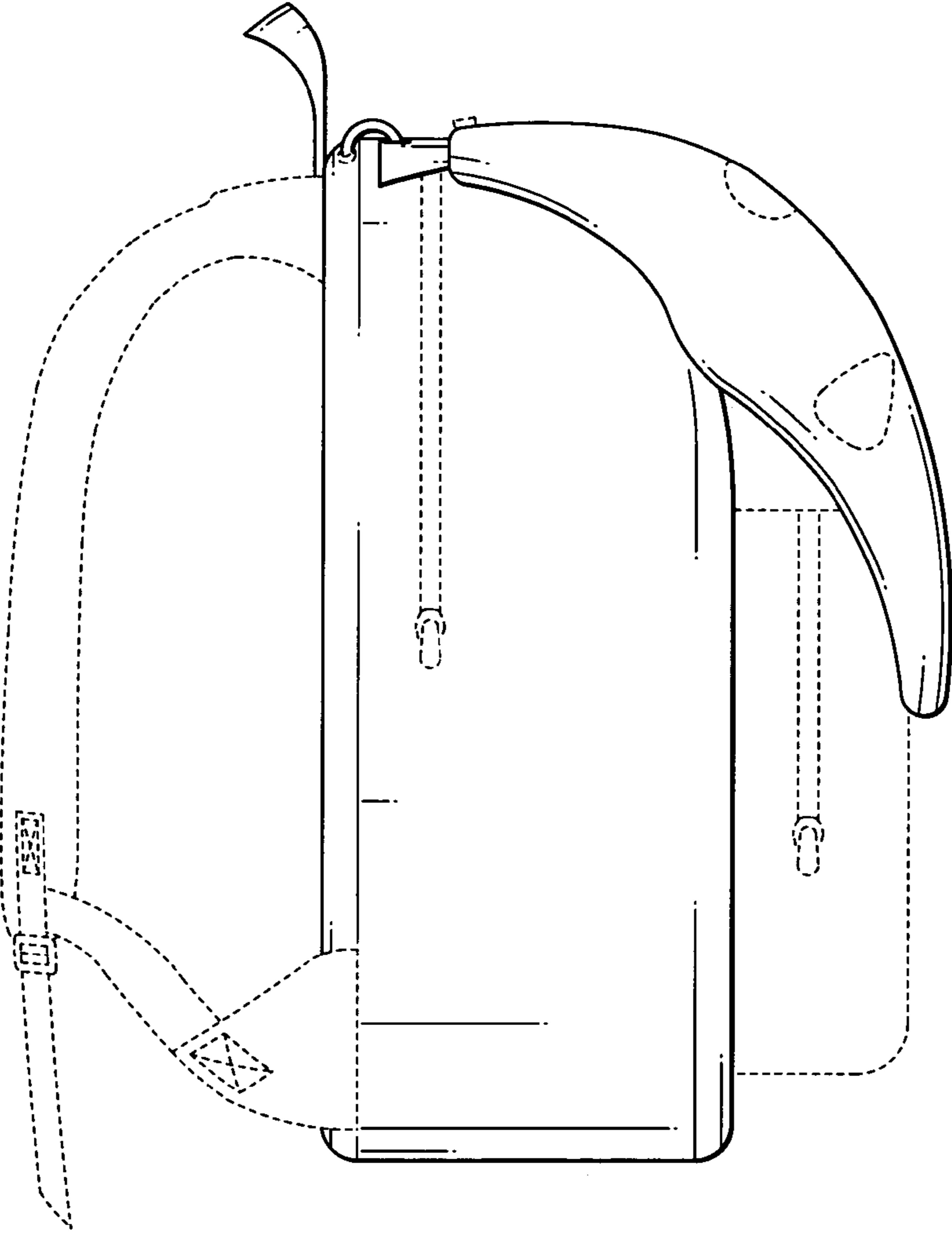


FIG. 61



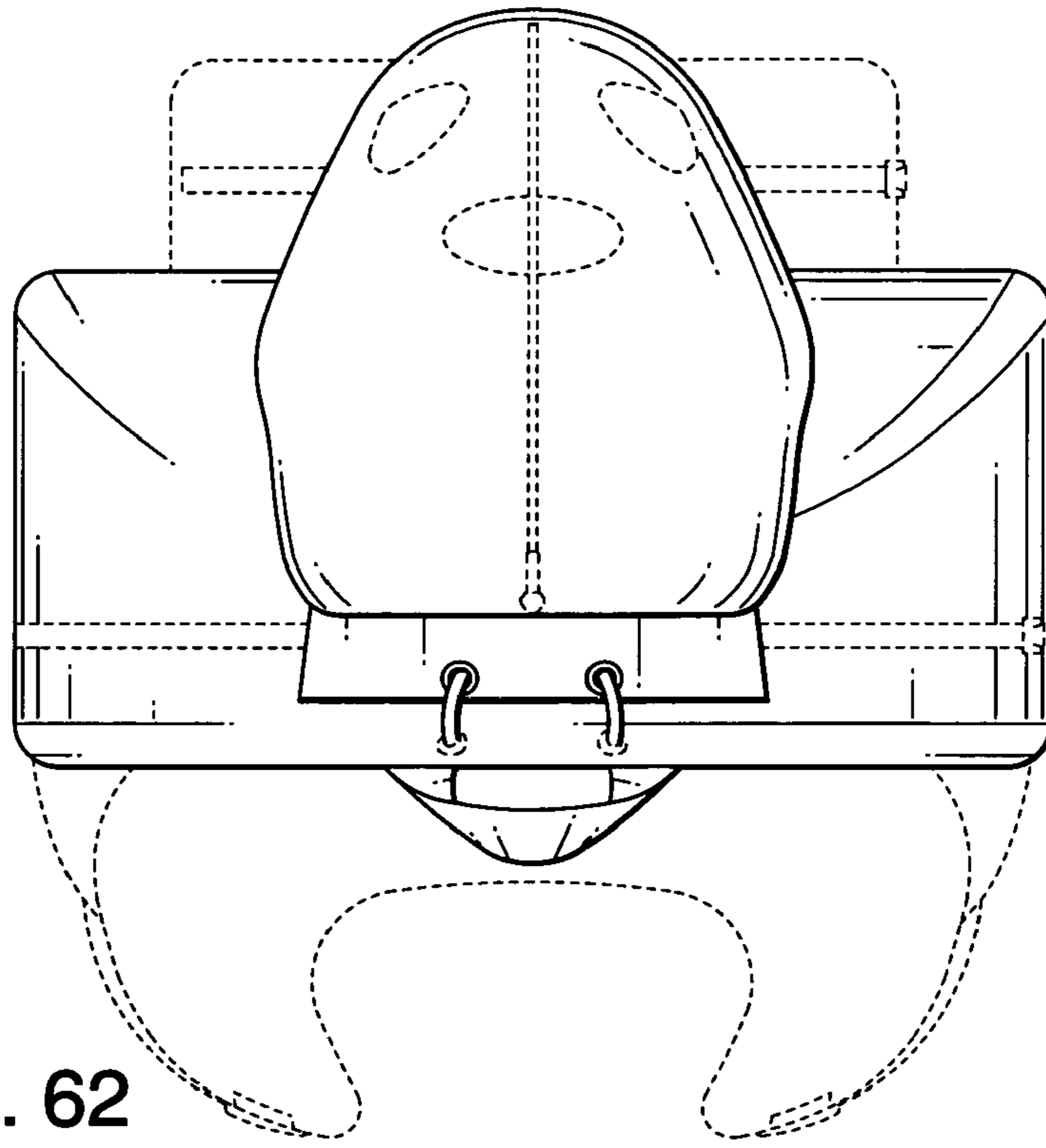


FIG. 62

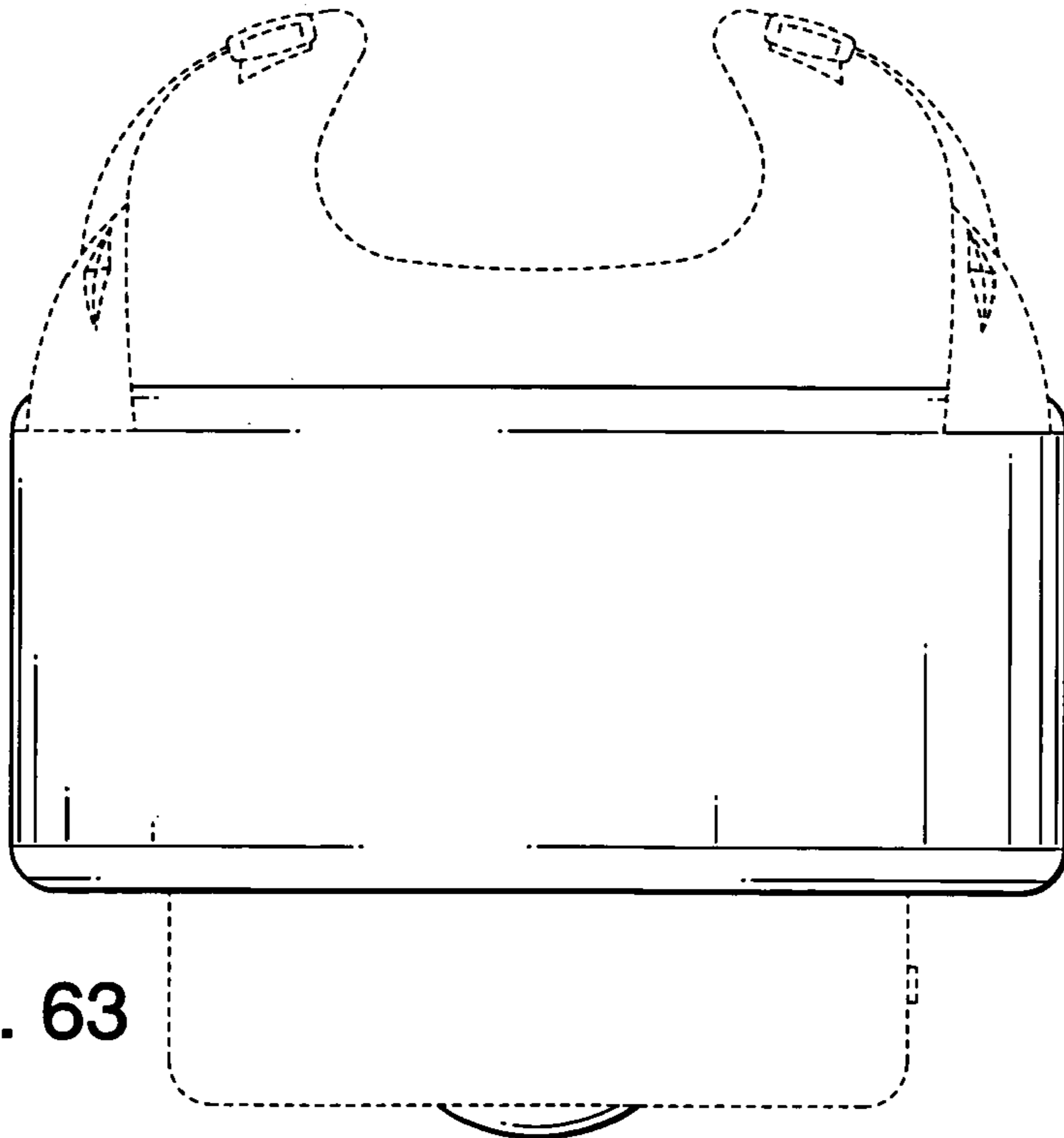


FIG. 63

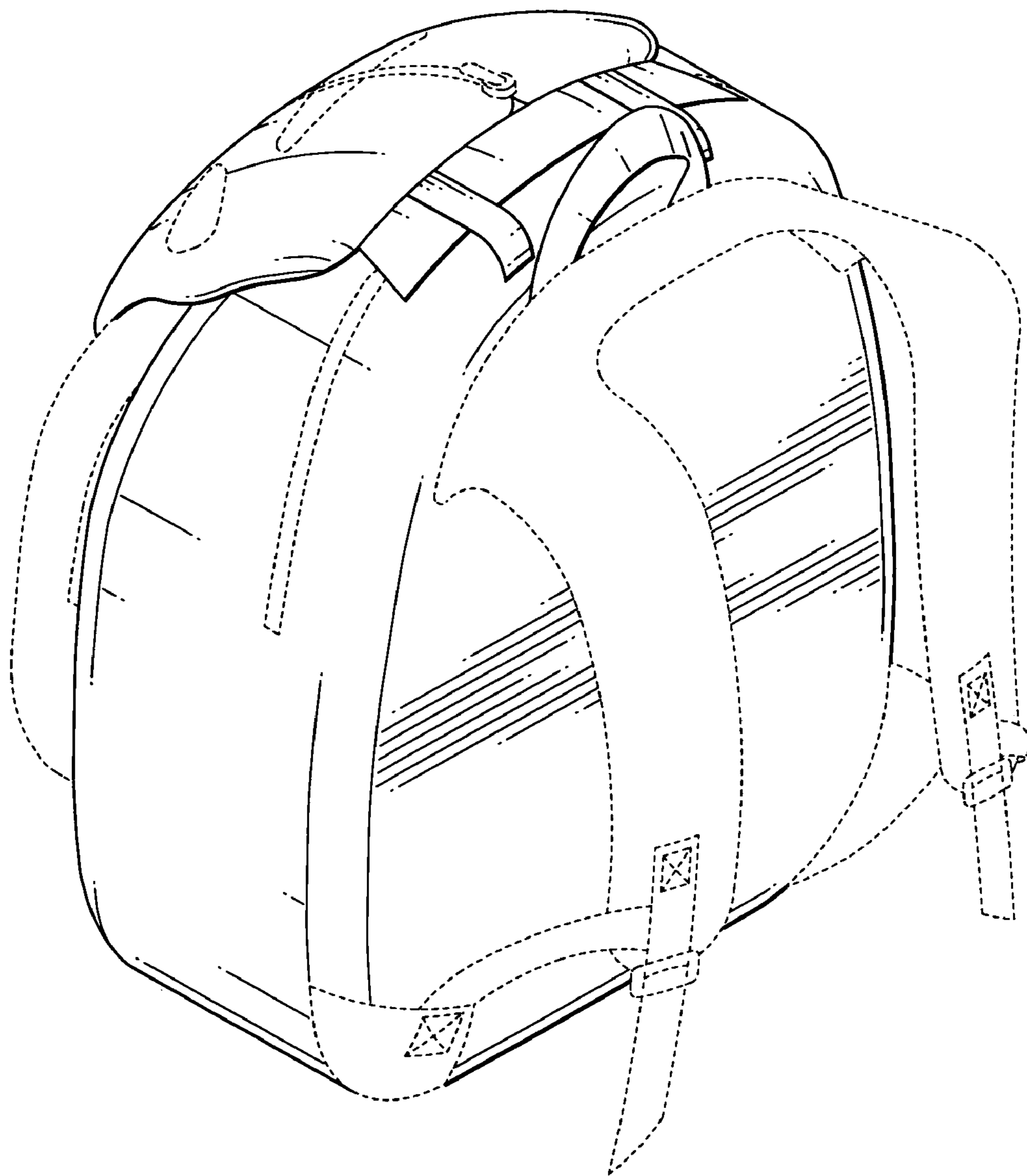


FIG. 64

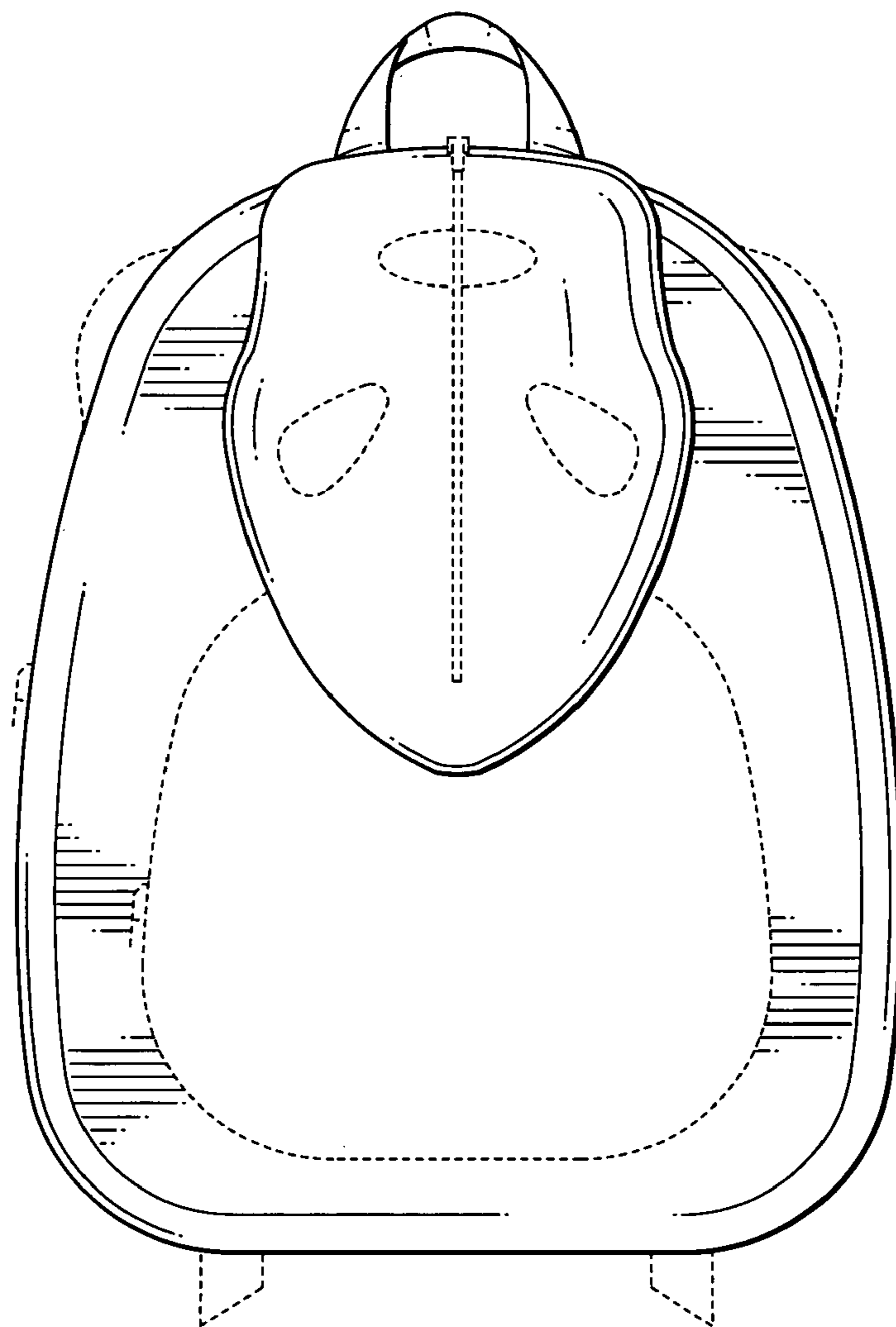


FIG. 65

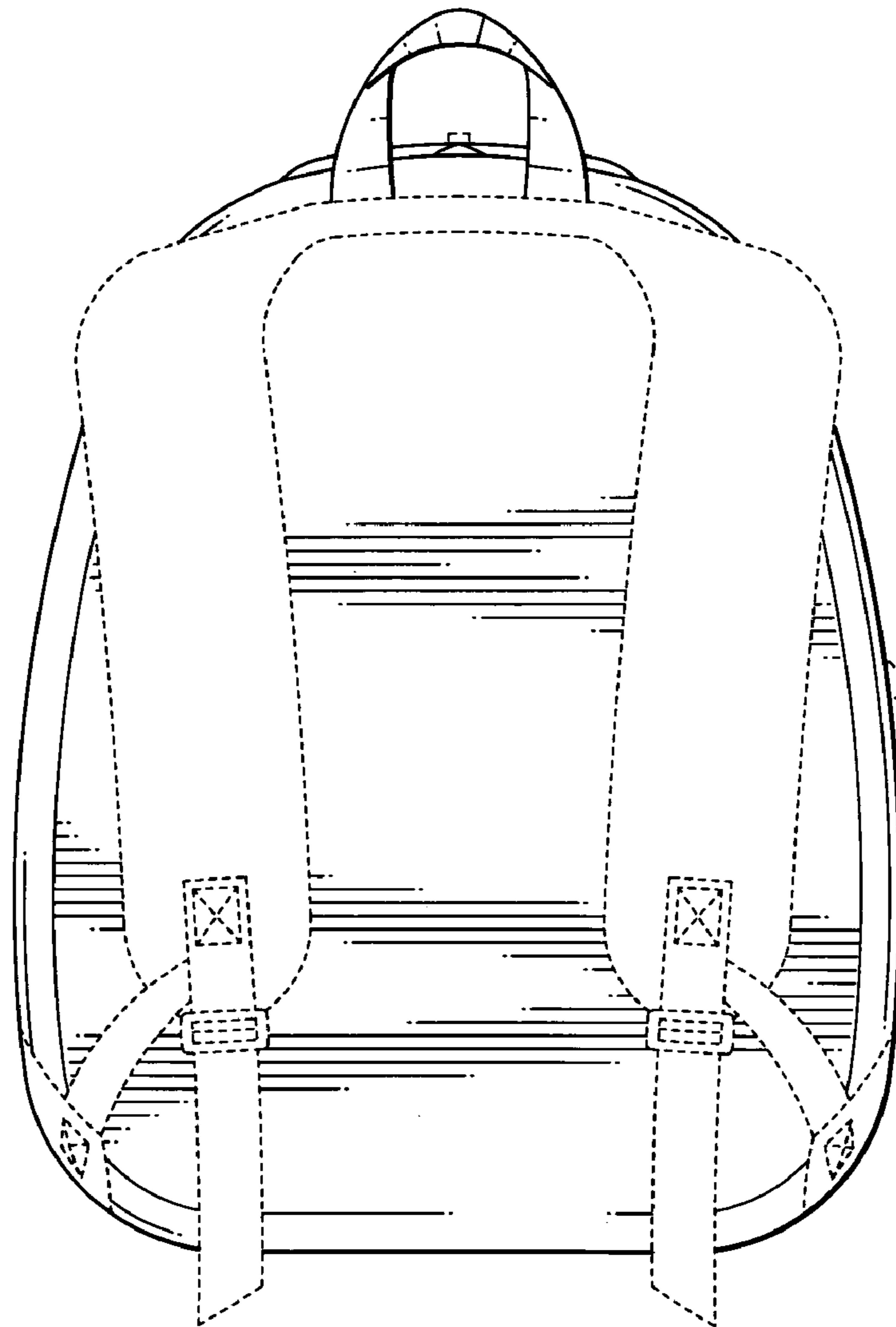


FIG. 66

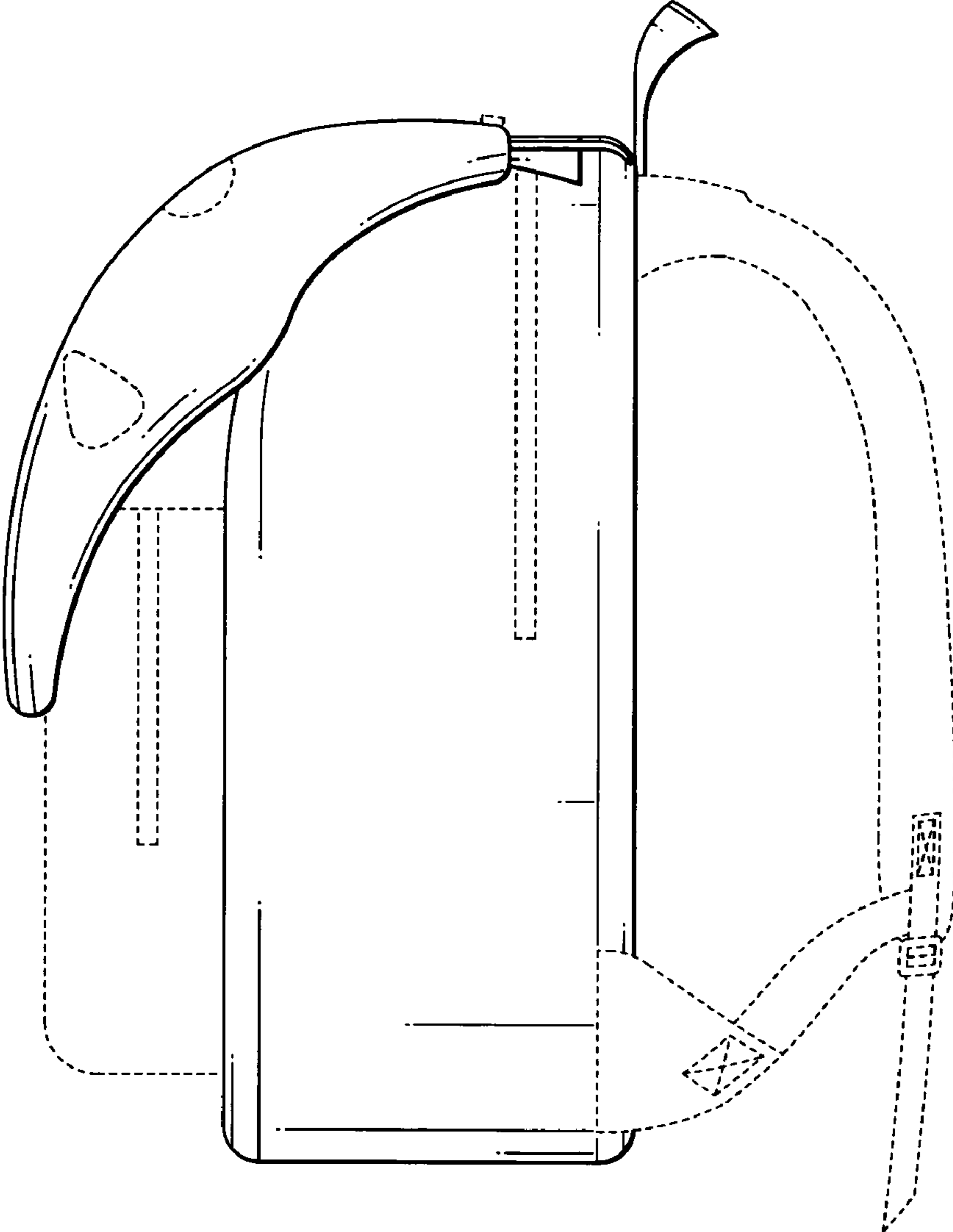


FIG. 67

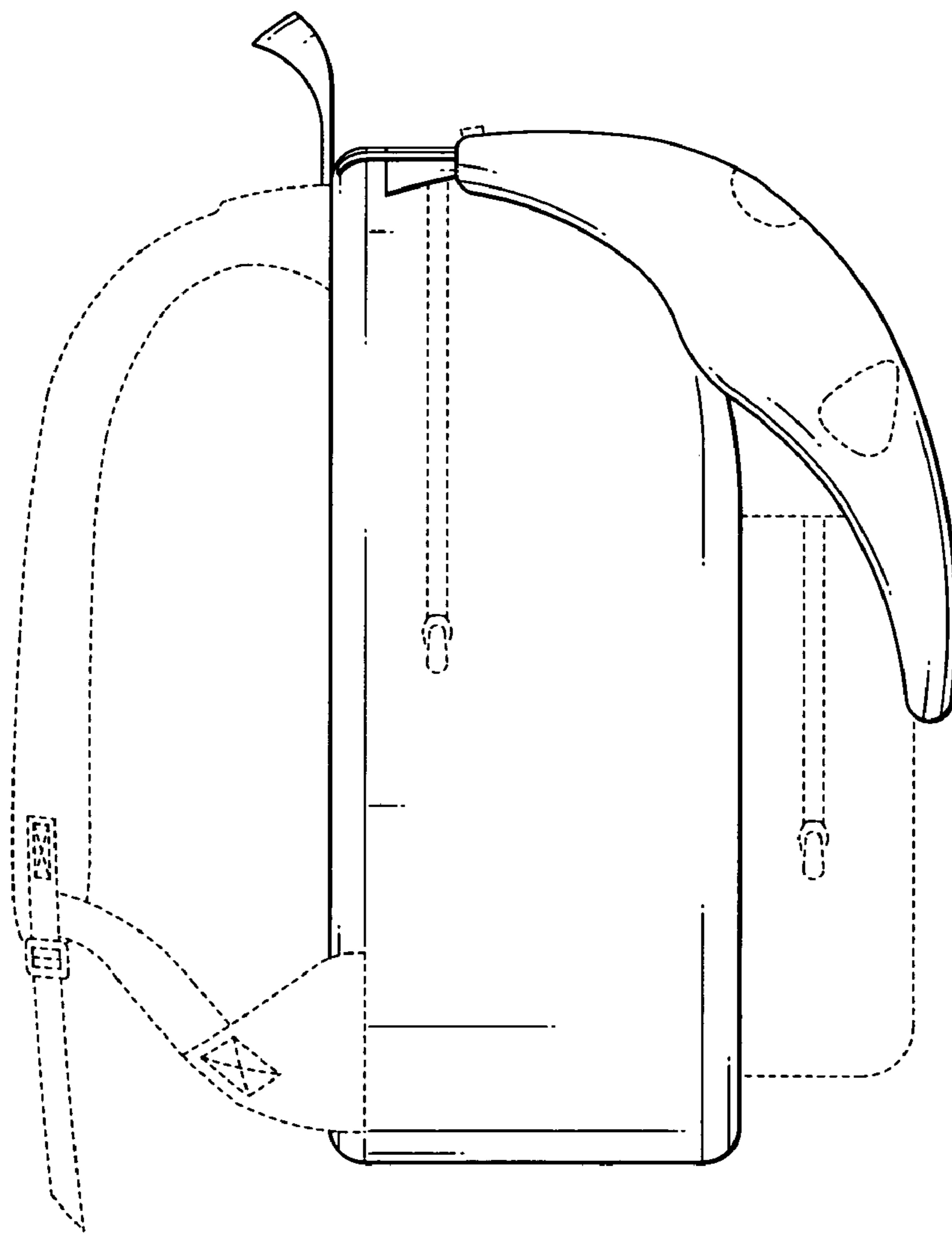


FIG. 68

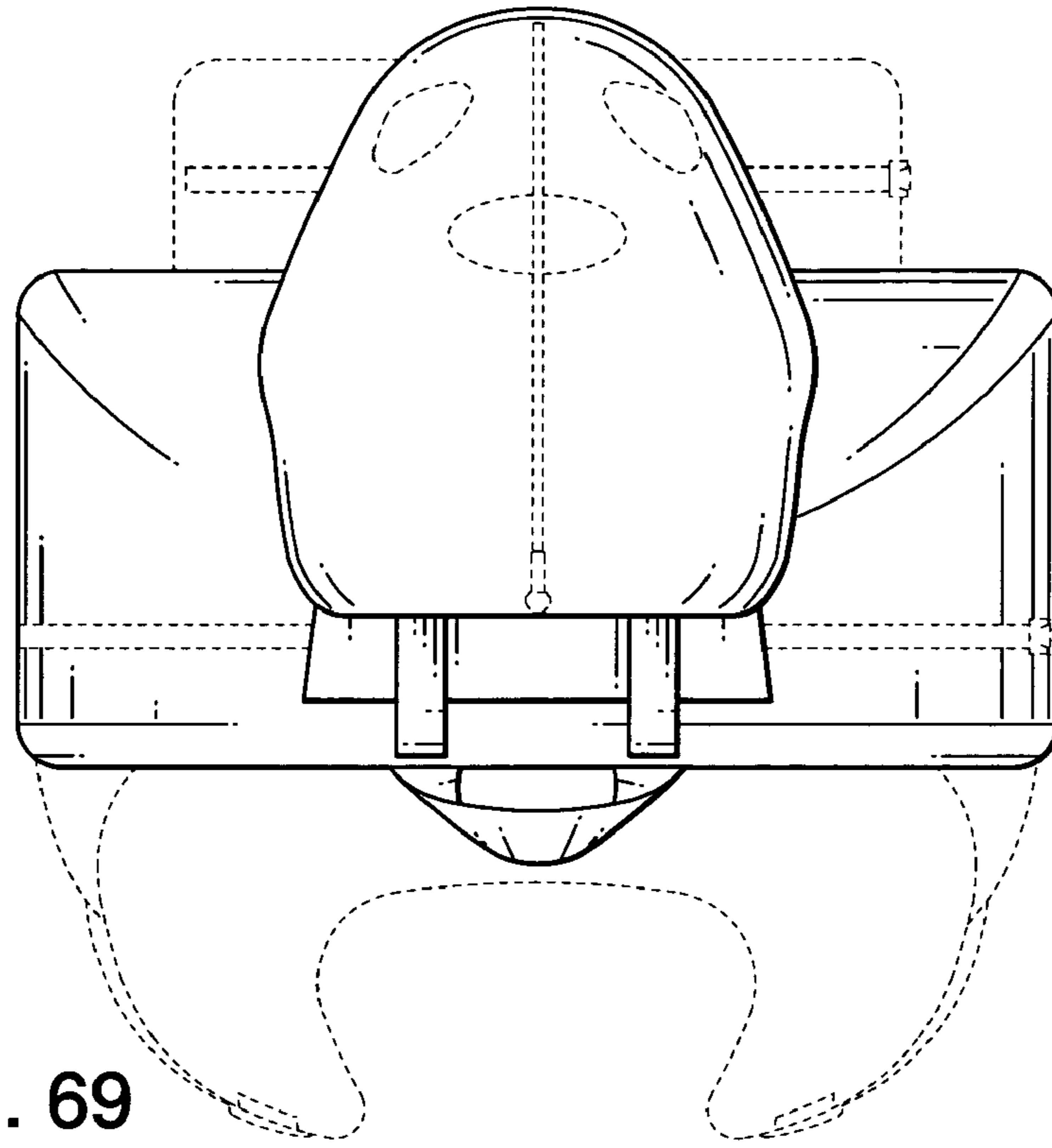


FIG. 69

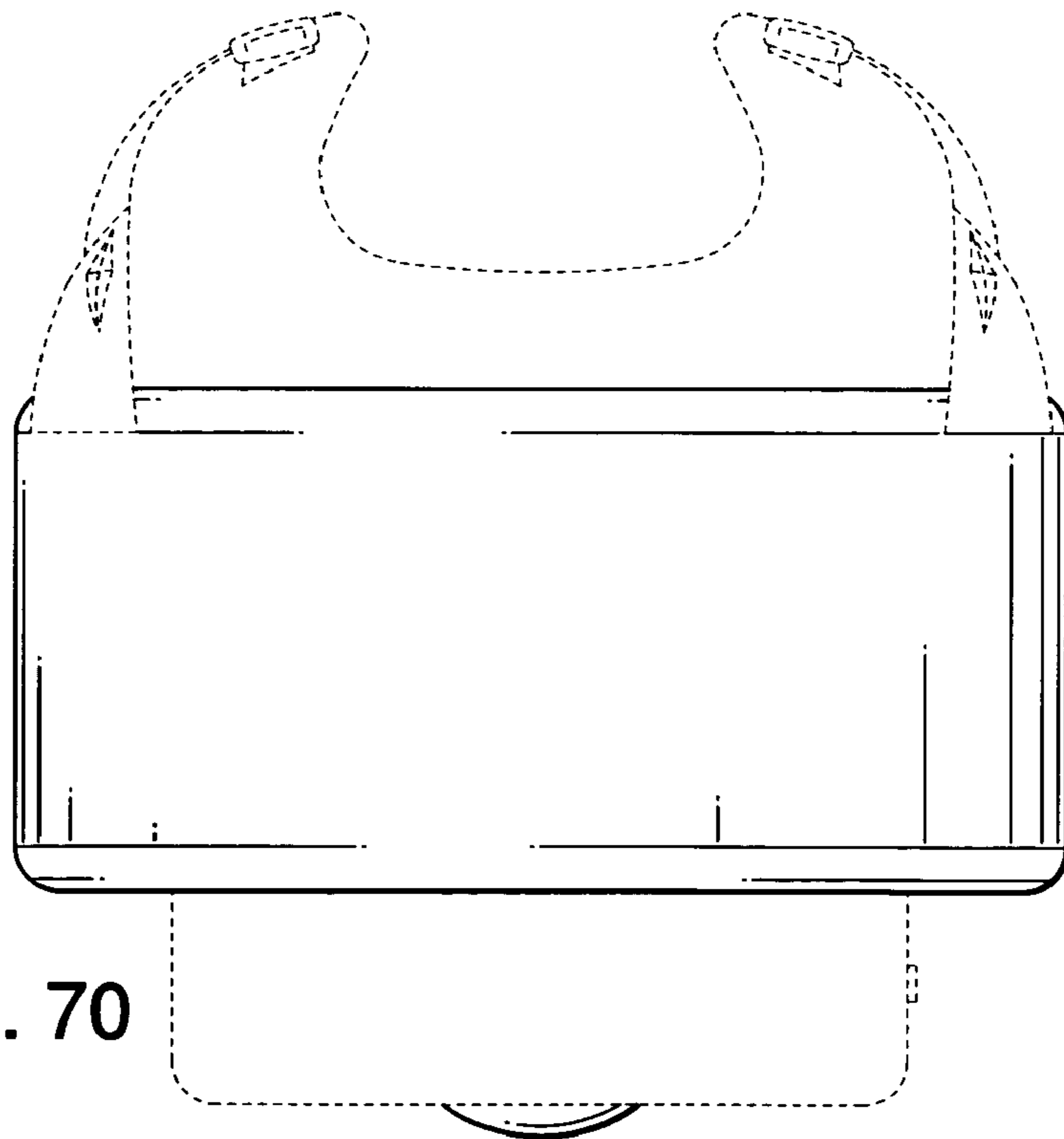


FIG. 70

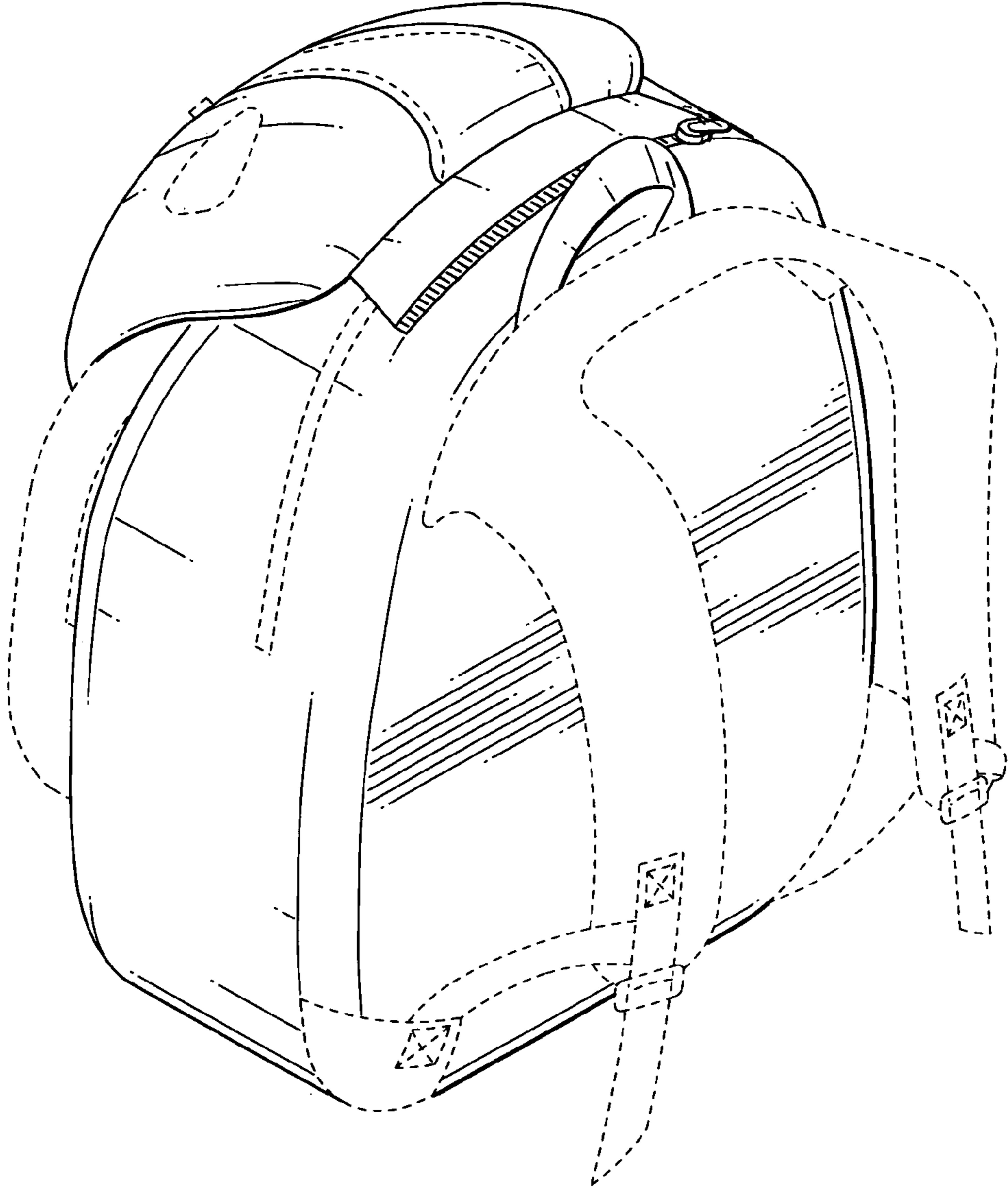


FIG. 71



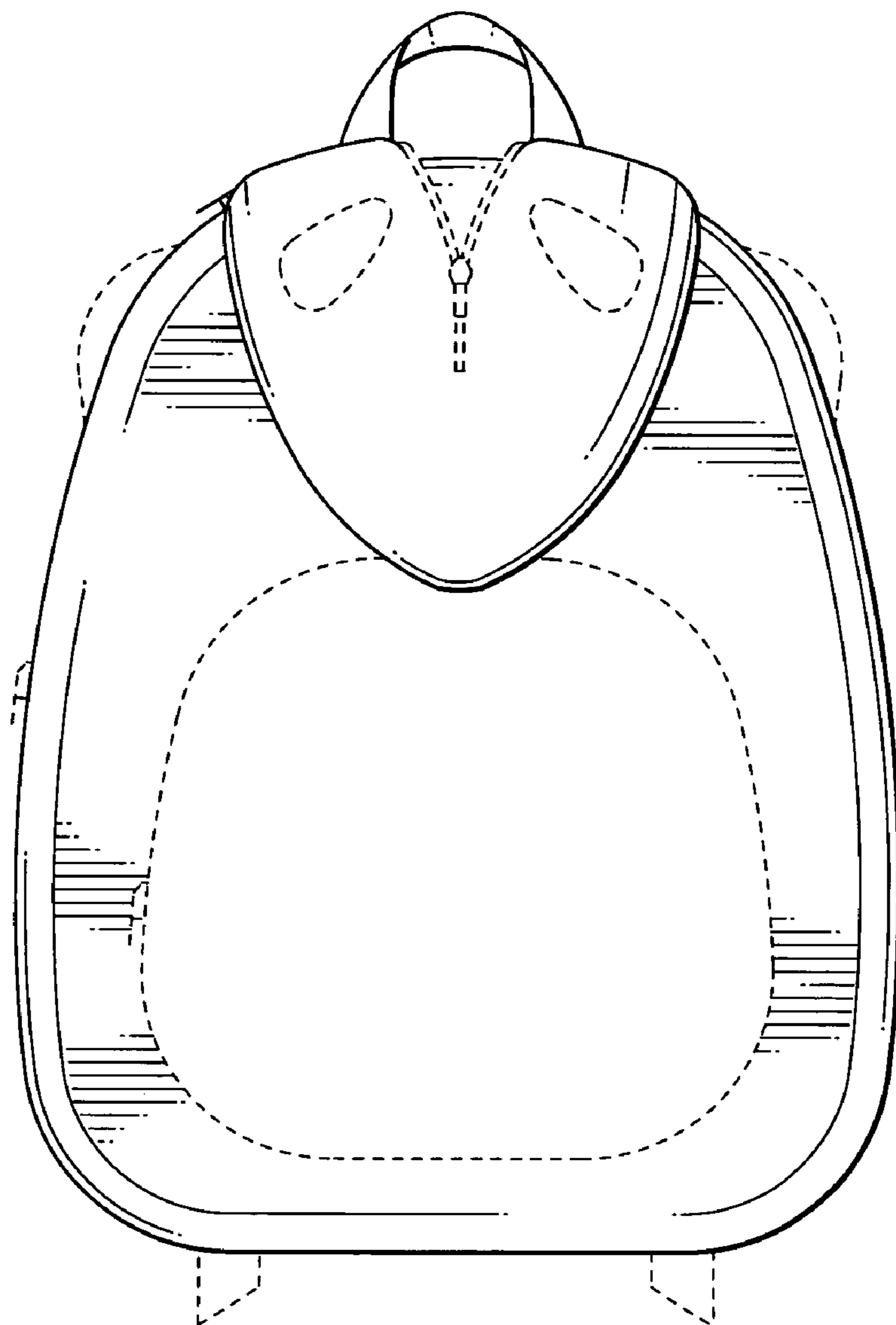


FIG. 72

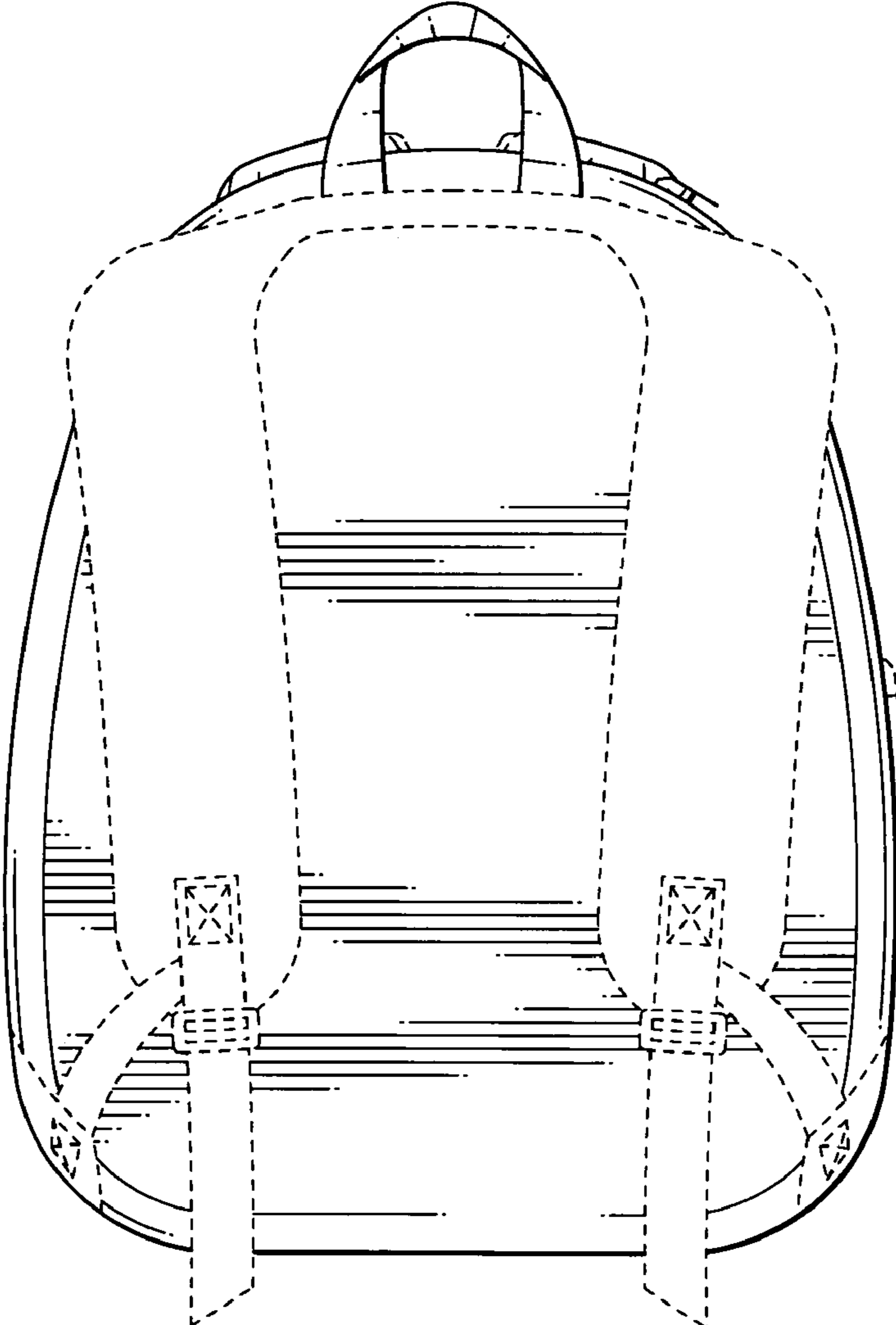


FIG. 73

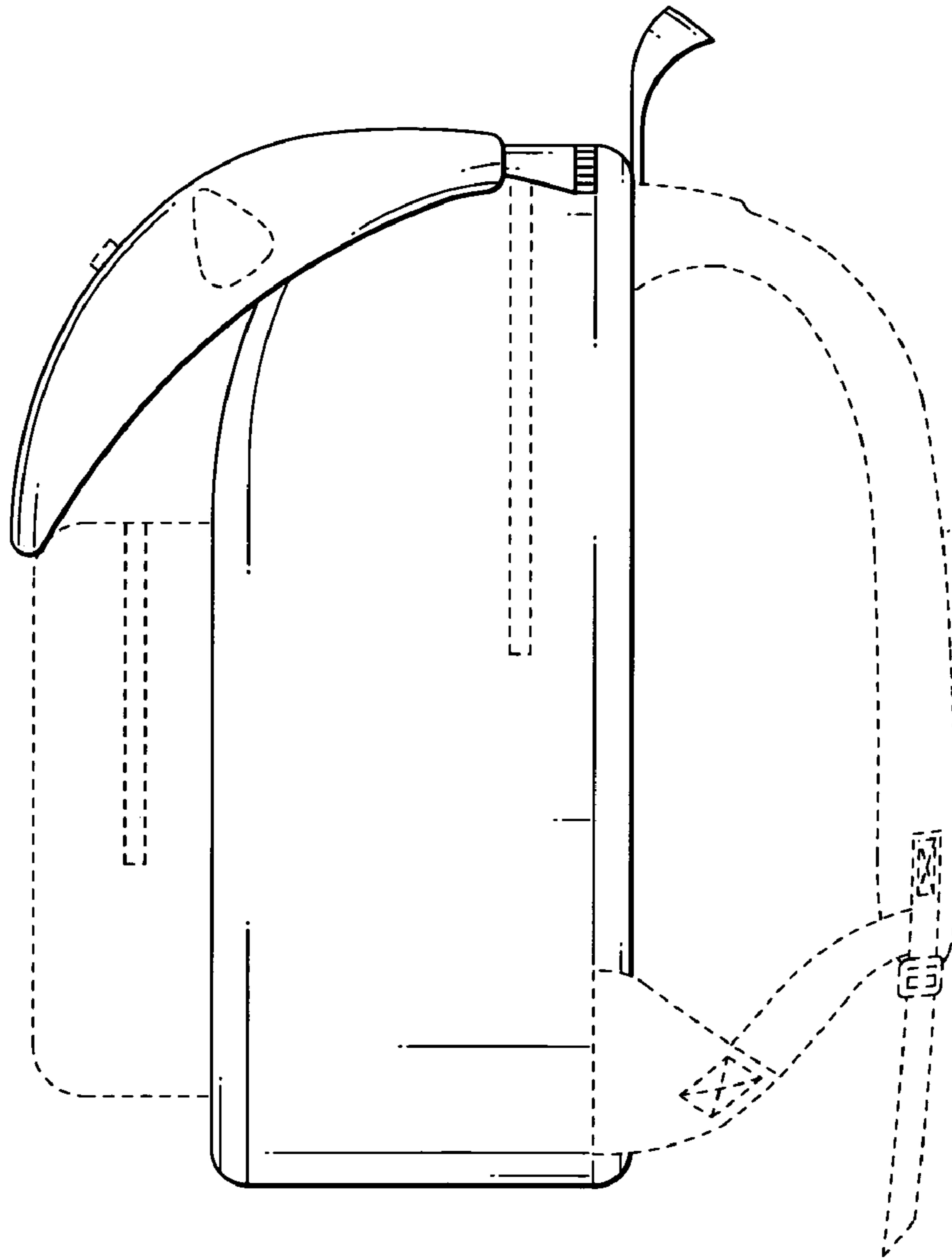


FIG. 74

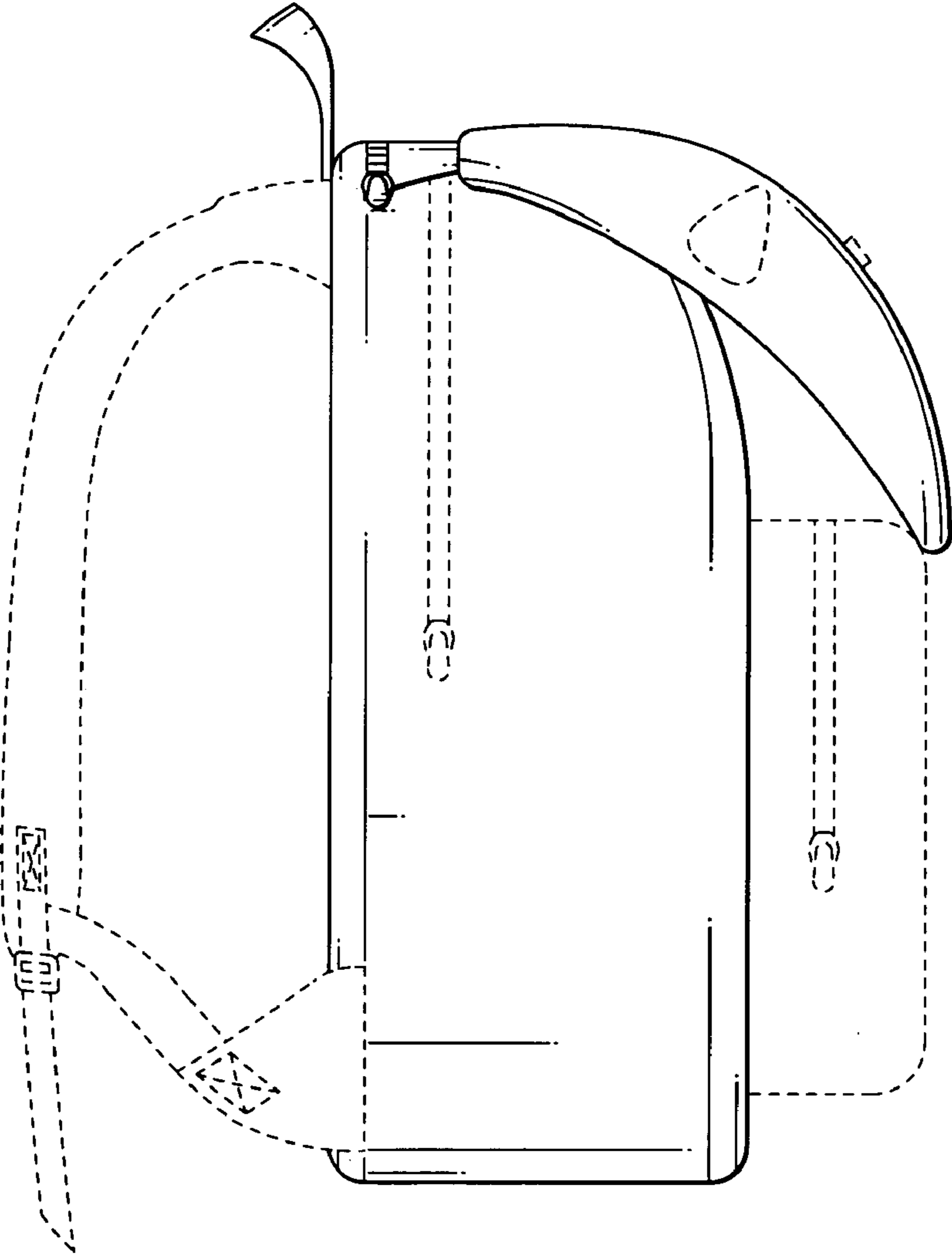


FIG. 75

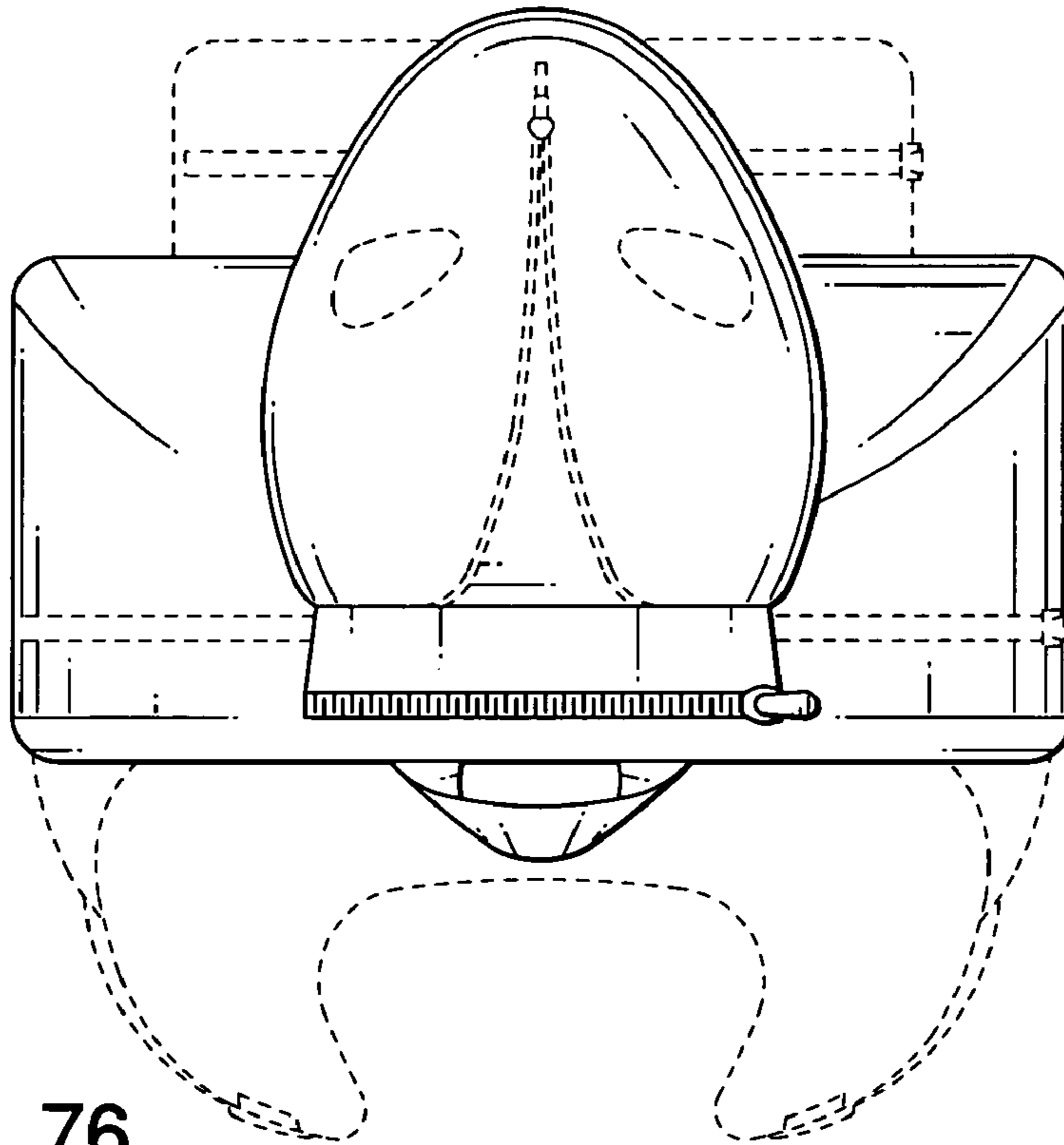


FIG. 76

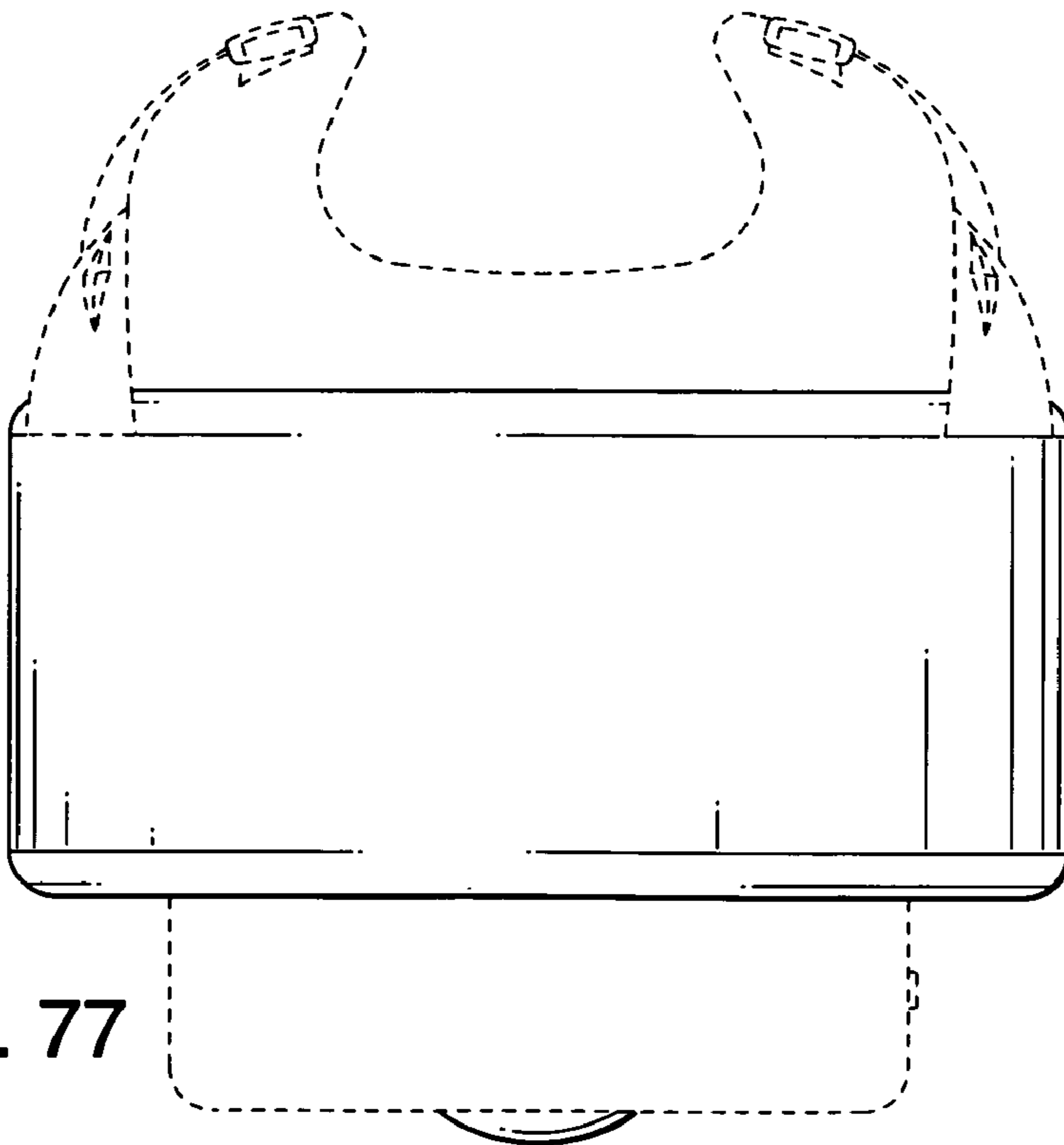


FIG. 77

UNITED STATES PATENT AND TRADEMARK OFFICE  
**CERTIFICATE OF CORRECTION**

PATENT NO. : Des. 619,802 S  
APPLICATION NO. : 29/313118  
DATED : July 20, 2010  
INVENTOR(S) : Evan Hedaya

Page 1 of 33

It is certified that error appears in the above-identified patent and that said Letters Patent is hereby corrected as shown below:

The Title Page, showing an illustrative figure, should be deleted and substitute therefor the attached title page.

Please replace all the drawings with new Figures 1-35 as attached.

Signed and Sealed this

Twenty-fourth Day of August, 2010

A handwritten signature in black ink that reads "David J. Kappos". The signature is written in a cursive, flowing style.

David J. Kappos  
*Director of the United States Patent and Trademark Office*

(12) **United States Design Patent**  
**Hedaya**

(10) **Patent No.:** **US D619,802 S**  
(45) **Date of Patent:** **\*\* Jul. 20, 2010**

(54) **BACKPACK**

(75) **Inventor:** **Evan Hedaya, Brooklyn, NY (US)**

(73) **Assignee:** **Fast Forward LLC, New York, NY (US)**

(\*\*) **Term:** **14 Years**

(21) **Appl. No.:** **29/313,118**

(22) **Filed:** **Dec. 9, 2008**

(51) **LOC (9) Cl.** ..... **03-01**

(52) **U.S. Cl.** ..... **D3/216; D3/217**

(58) **Field of Classification Search** ..... **D2/830;**  
**D3/214, 215, 216, 217, 270; 224/153, 577,**  
**224/578, 407; 128/202.22, 205.22, 128;**  
**D24/129 A**

See application file for complete search history.

(56) **References Cited**

**U.S. PATENT DOCUMENTS**

D260,698	S	*	9/1981	Fitzgerald et al.	.....	D3/217
D348,151	S	*	6/1994	Acheson	.....	D3/217
D350,228	S	*	9/1994	Poire	.....	D3/217
5,370,287	A	*	12/1994	Cormier	.....	224/153
D355,758	S	*	2/1995	Poire	.....	D3/217
D360,072	S	*	7/1995	Poire	.....	D3/217
5,632,429	A	*	5/1997	Cantwell	.....	224/630
5,676,293	A	*	10/1997	Farris	.....	224/576
D405,850	S	*	2/1999	Witkin	.....	D21/650
D425,697	S	*	5/2000	Chapman	.....	D3/216
D433,800	S	*	11/2000	Chapman	.....	D3/216
6,167,569	B1	*	1/2001	Conner, IV	.....	2/209.11
D438,700	S	*	3/2001	Willingham et al.	.....	D3/216
D438,712	S	*	3/2001	Chapman	.....	D3/217
D448,922	S	*	10/2001	Willingham et al.	.....	D3/216
D448,923	S	*	10/2001	Willingham et al.	.....	D3/216
D450,447	S	*	11/2001	Willingham et al.	.....	D3/216
6,364,186	B1	*	4/2002	Gilmour et al.	.....	224/637
6,510,974	B2	*	1/2003	Willingham et al.	.....	224/657
D471,353	S	*	3/2003	Ho	.....	D3/217
D482,924	S	*	12/2003	Fung	.....	D6/632
D486,421	S	*	2/2004	Weiser et al.	.....	D11/162
6,769,585	B2	*	8/2004	Santaniello et al.	.....	224/629

6,843,398	B2	*	1/2005	Zion	.....	224/576
D512,137	S	*	11/2005	Chen	.....	D23/367
D527,511	S	*	9/2006	Bourget	.....	D2/741
D581,195	S	*	11/2008	Wen	.....	D6/632
D606,596	S	*	12/2009	Kruger	.....	D21/427
2002/0166881	A1	*	11/2002	Willingham et al.	.....	224/652
2002/0190952	A1	*	12/2002	Shah	.....	345/163
2008/0010848	A1	*	1/2008	Miles	.....	33/758
2009/0091921	A1	*	4/2009	Yang	.....	362/103
2009/0139099	A1	*	6/2009	Norman	.....	33/27.01
2010/0078457	A1	*	4/2010	Pitchford et al.	.....	224/576

\* cited by examiner

*Primary Examiner*—Celia A Murphy

(74) *Attorney, Agent, or Firm*—Ostrolenk Faber LLP

(57) **CLAIM**

The ornamental design for a backpack, as shown and described.

**DESCRIPTION**

FIG. 1 is a perspective view of a backpack showing my new design in accordance with a first embodiment;

FIG. 2 is a rear elevational view of the backpack in accordance with the first embodiment;

FIG. 3 is a front elevational view of the backpack in accordance with the first embodiment;

FIG. 4 is a left side view of the backpack in accordance with the first embodiment;

FIG. 5 is a right side view of the backpack in accordance with the first embodiment;

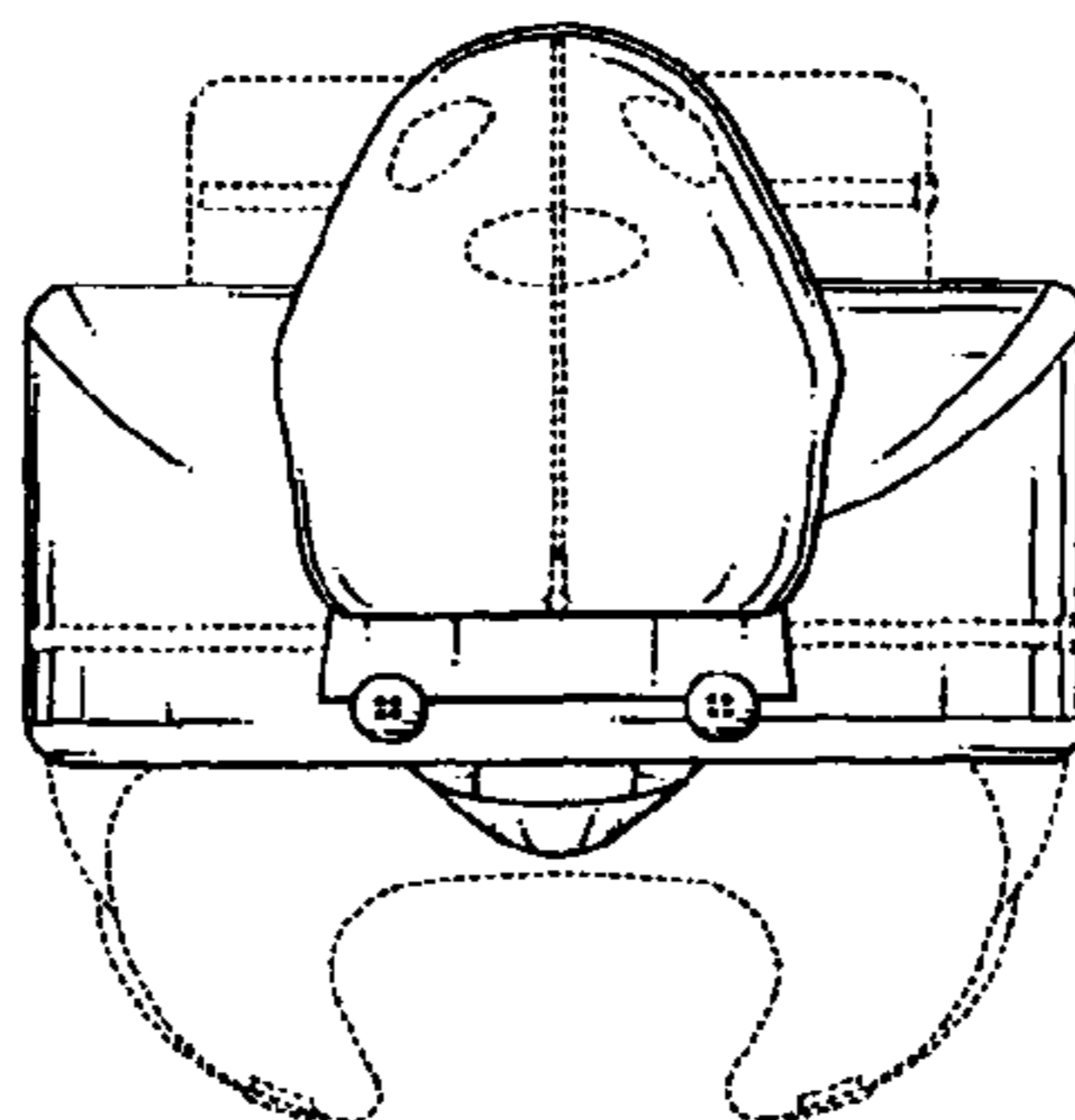
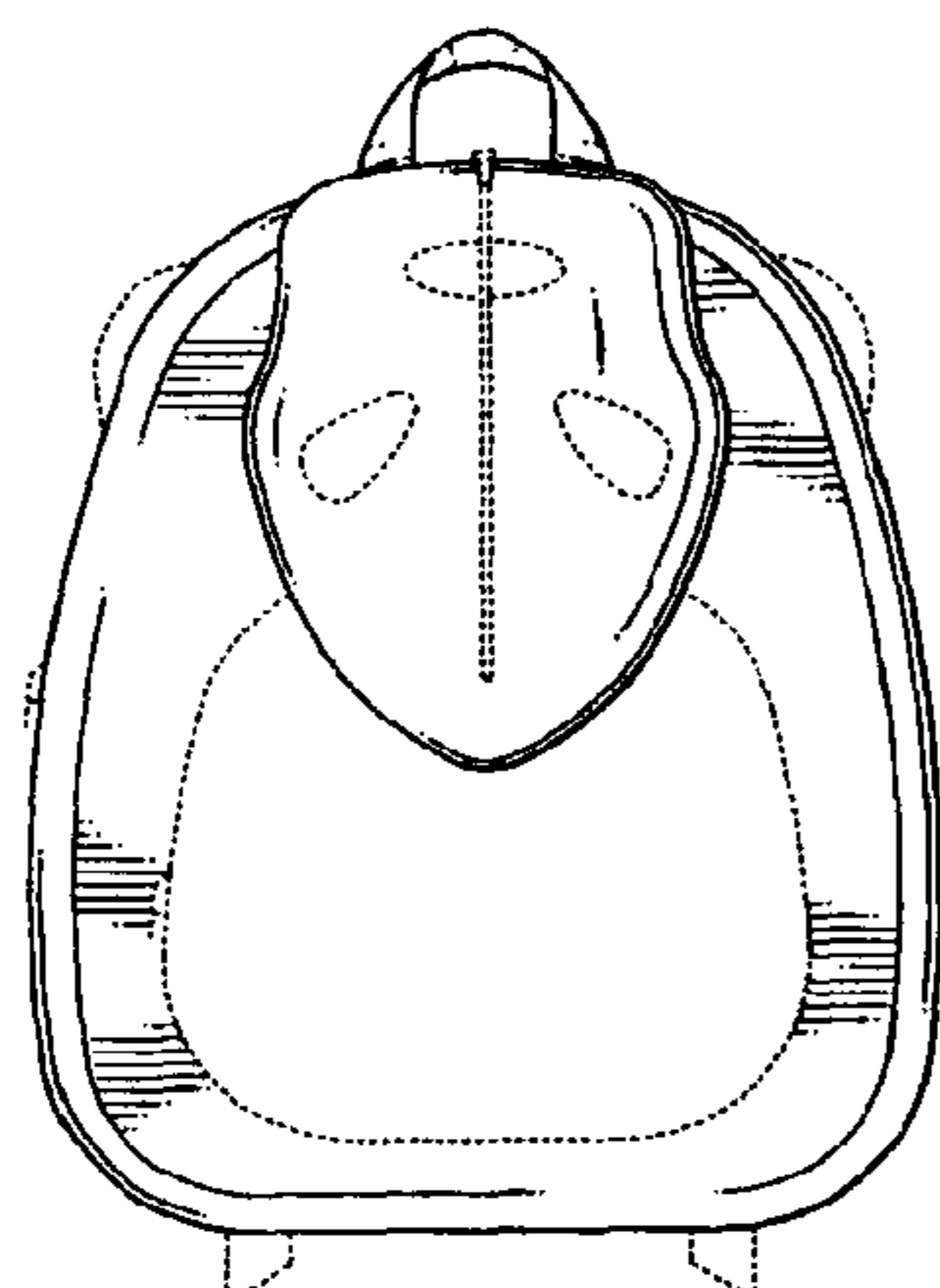
FIG. 6 is a top plan view of the backpack in accordance with the first embodiment;

FIG. 7 is a bottom plan view of the backpack in accordance with the first embodiment;

FIG. 8 is a perspective view of the backpack in accordance with a second embodiment;

FIG. 9 is a rear elevational view of the backpack in accordance with the second embodiment;

FIG. 10 is a front elevational view of the backpack in accordance with the second embodiment;



**US D619,802 S**

Page 2

FIG. 11 is a left side view of the backpack in accordance with the second embodiment;

FIG. 12 is a right side view of the backpack in accordance with the second embodiment;

FIG. 13 is a top plan view of the backpack in accordance with the second embodiment;

FIG. 14 is a bottom plan view of the backpack in accordance with the second embodiment;

FIG. 15 is a perspective view of the backpack in accordance with a third embodiment;

FIG. 16 is a rear elevational view of the backpack in accordance with the third embodiment;

FIG. 17 is a front elevational view of the backpack in accordance with the third embodiment;

FIG. 18 is a left side view of the backpack in accordance with the third embodiment;

FIG. 19 is a right side view of the backpack in accordance with the third embodiment;

FIG. 20 is a top plan view of the backpack in accordance with the third embodiment;

FIG. 21 is a bottom plan view of the backpack in accordance with the third embodiment;

FIG. 22 is a perspective view of the backpack in accordance with a fourth embodiment;

FIG. 23 is a rear elevational view of the backpack in accordance with the fourth embodiment;

FIG. 24 is a front elevational view of the backpack in accordance with the fourth embodiment;

FIG. 25 is a left side view of the backpack in accordance with the fourth embodiment;

FIG. 26 is a right side view of the backpack in accordance with the fourth embodiment;

FIG. 27 is a top plan view of the backpack in accordance with the fourth embodiment;

FIG. 28 is a bottom plan view of the backpack in accordance with the fourth embodiment;

FIG. 29 is a perspective view of the backpack in accordance with a fifth embodiment;

FIG. 30 is a rear elevational view of the backpack in accordance with the fifth embodiment;

FIG. 31 is a front elevational view of the backpack in accordance with the fifth embodiment;

FIG. 32 is a left side view of the backpack in accordance with the fifth embodiment;

FIG. 33 is a right side view of the backpack in accordance with the fifth embodiment;

FIG. 34 is a top plan view of the backpack in accordance with the fifth embodiment; and,

FIG. 35 is a bottom plan view of the backpack in accordance with the fifth embodiment.

The portions of the Backpack illustrated in broken lines form no part of the claim. The broken lines illustrating three substantially oval markings on the top front surface of the backpack along with the outermost broken lines illustrating a pocket-like portion on the front surface, form the boundaries of the claimed design; with the broken lines and the areas within them forming no part of the claim.

**1 Claim, 30 Drawing Sheets**





FIG. 1

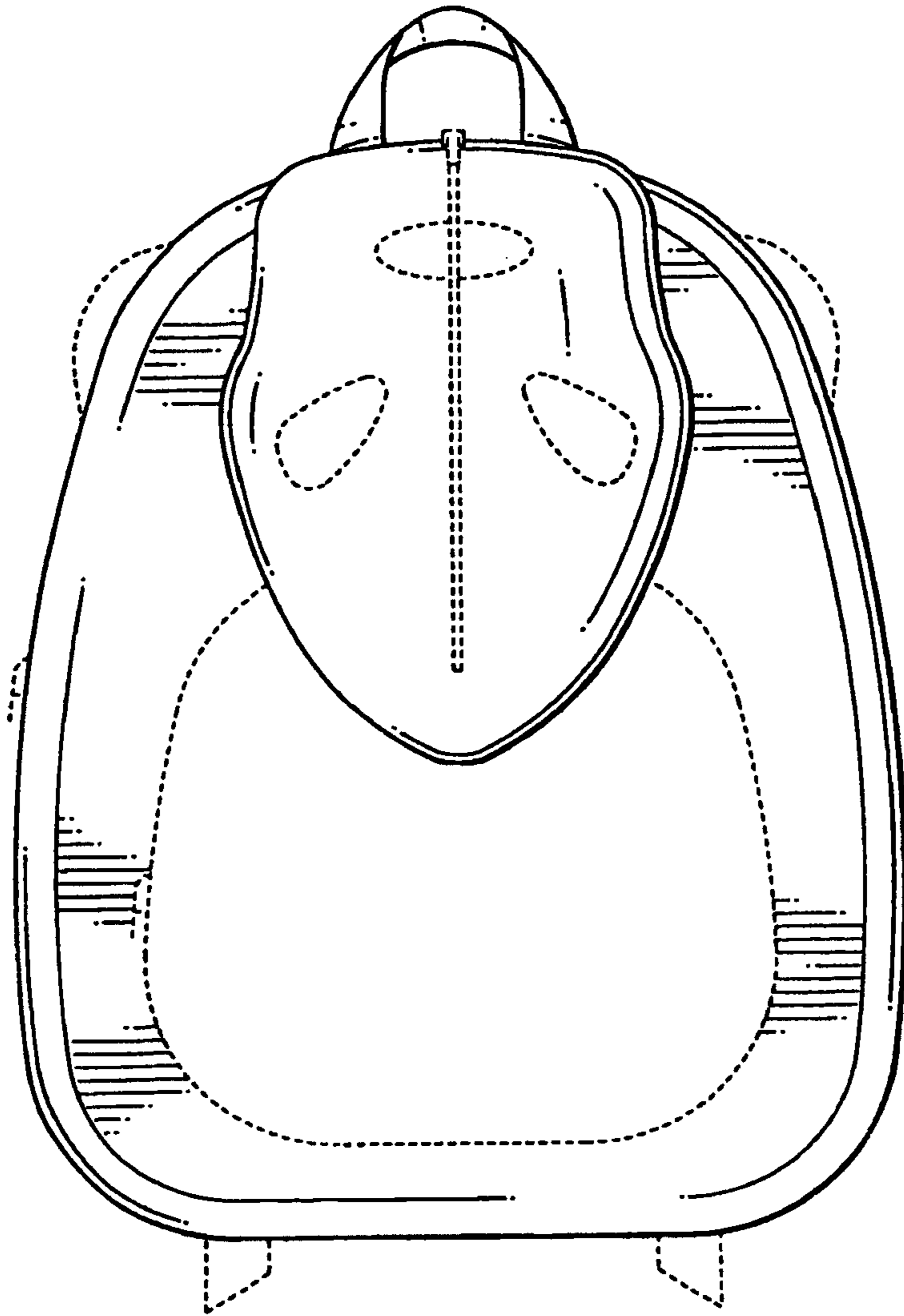


FIG. 2

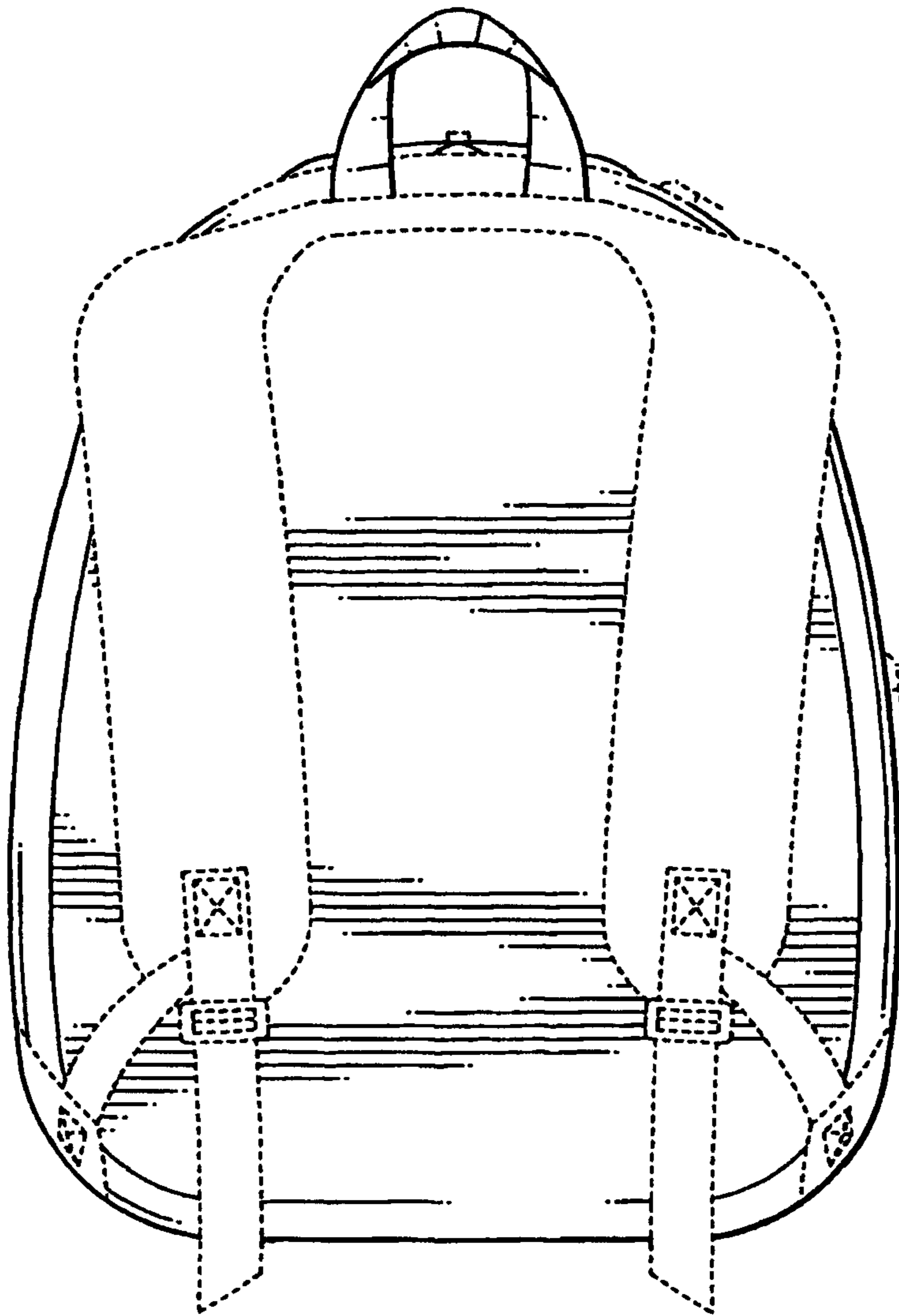


FIG. 3

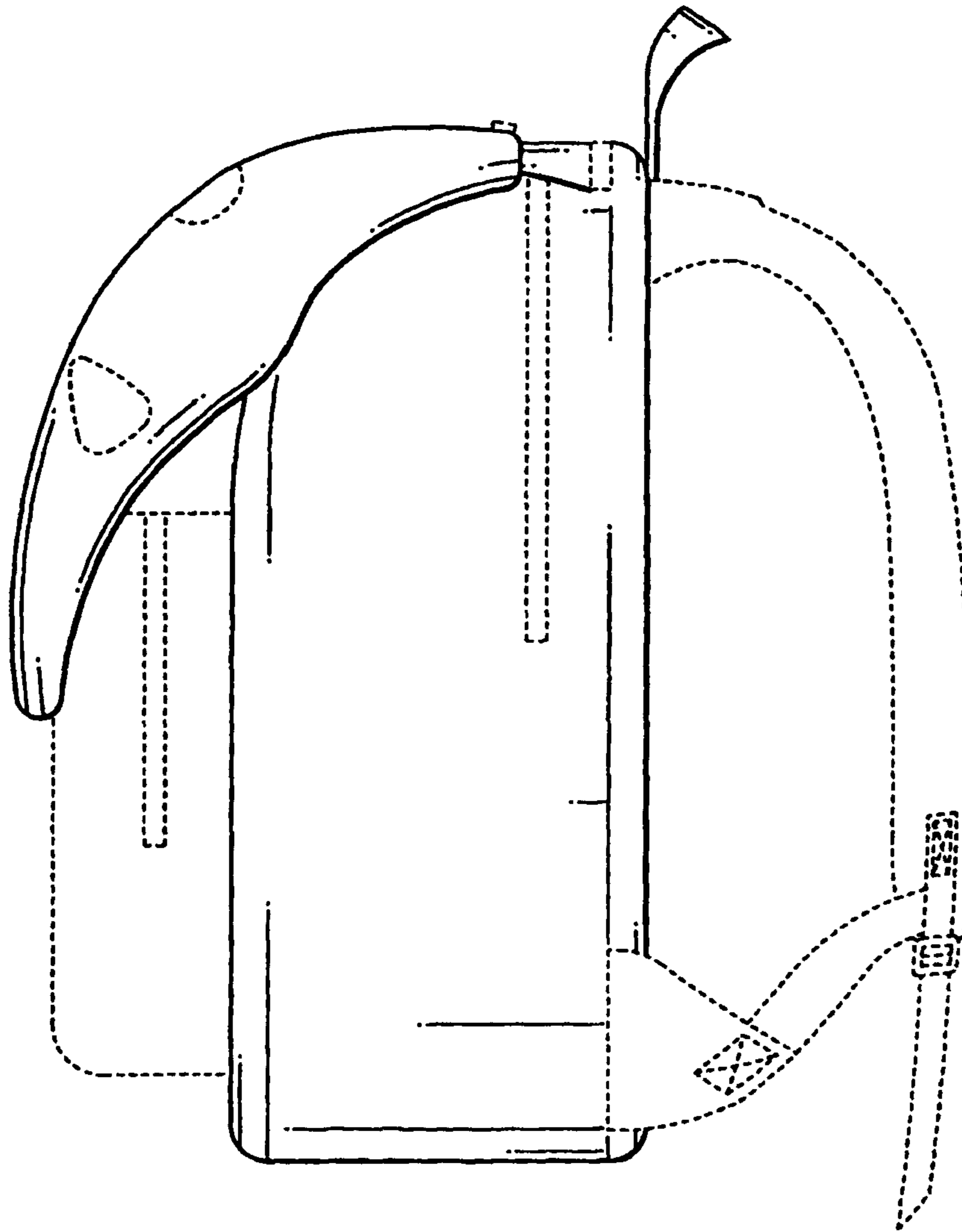


FIG. 4

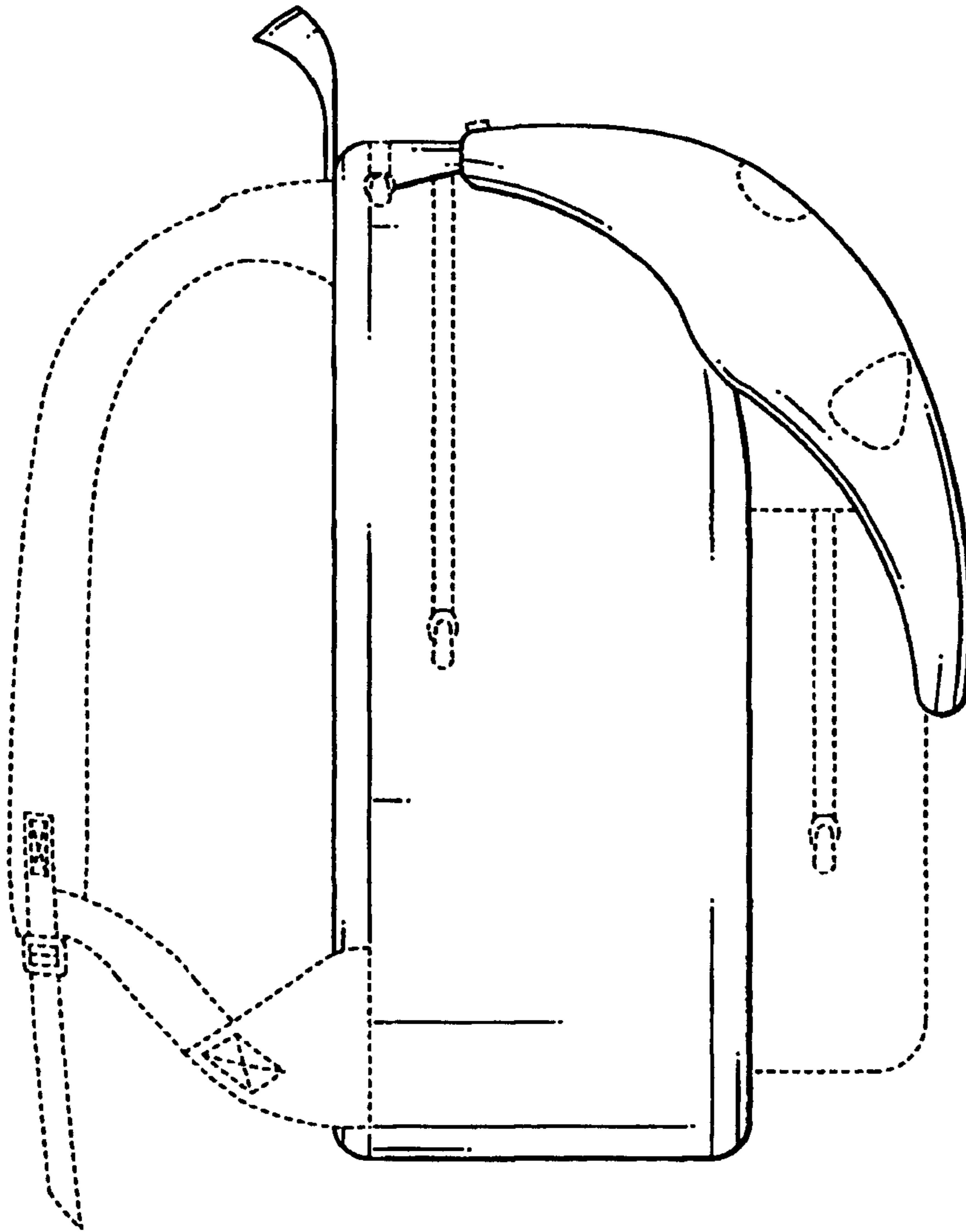


FIG. 5

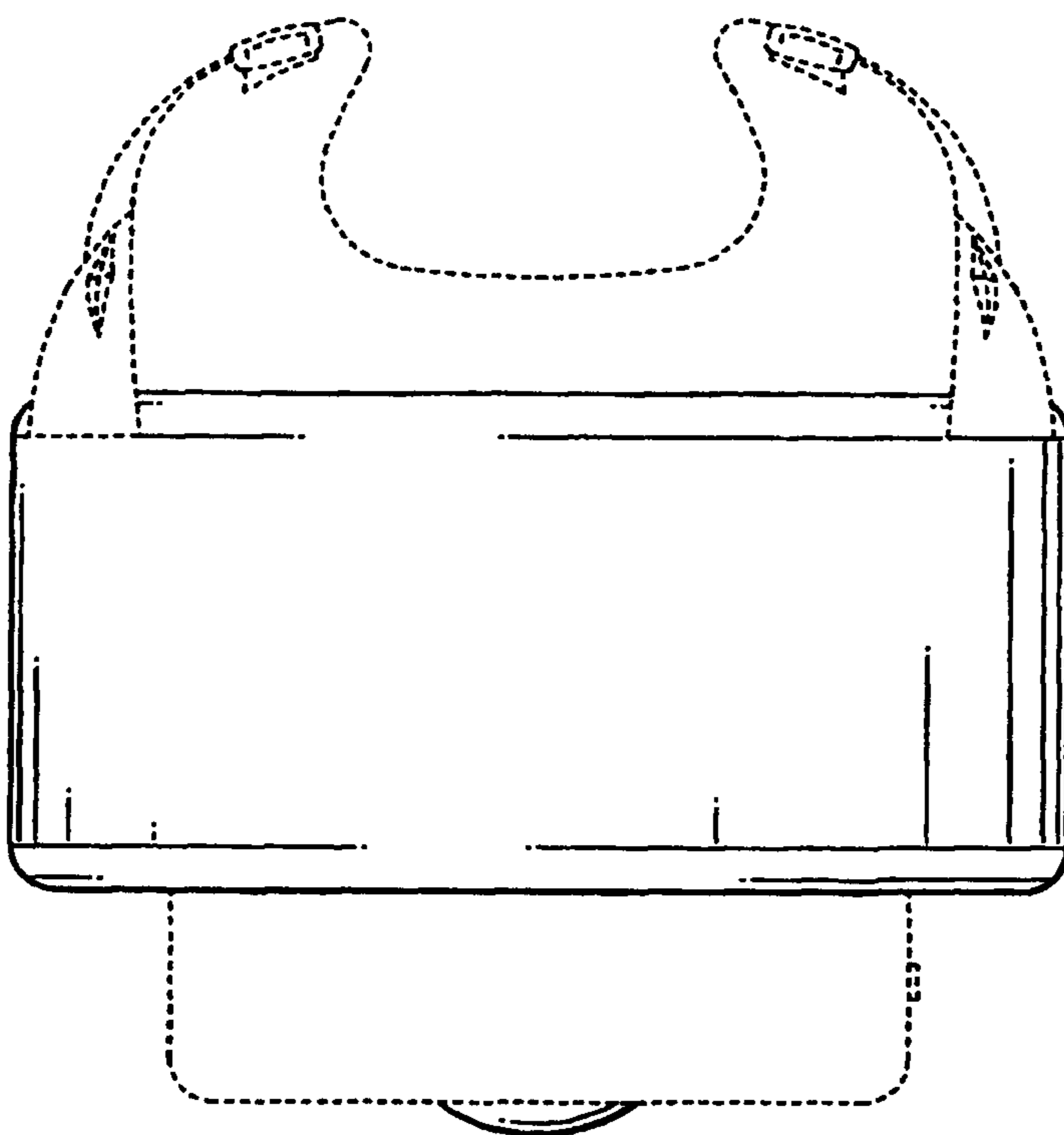
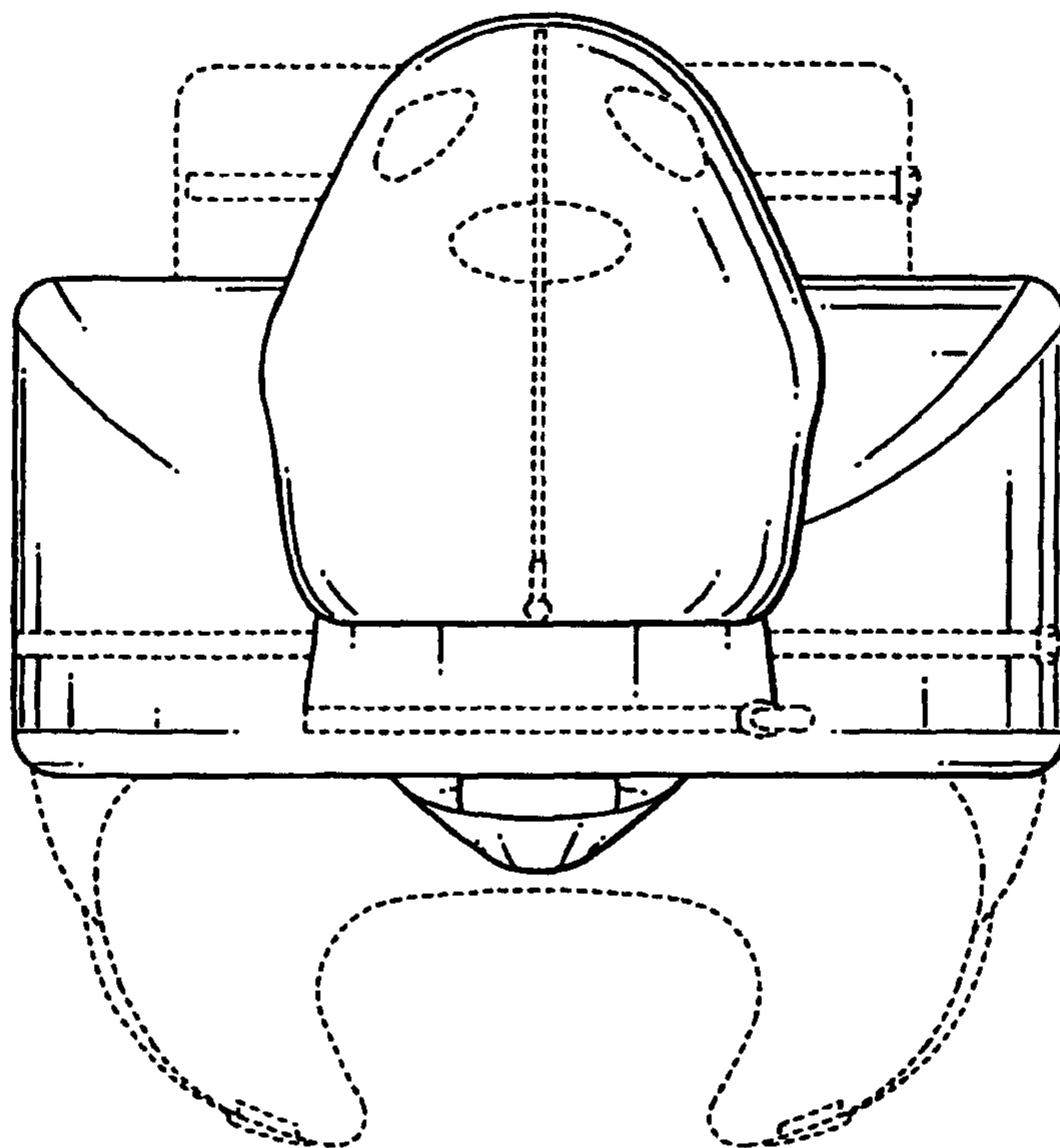




FIG. 8

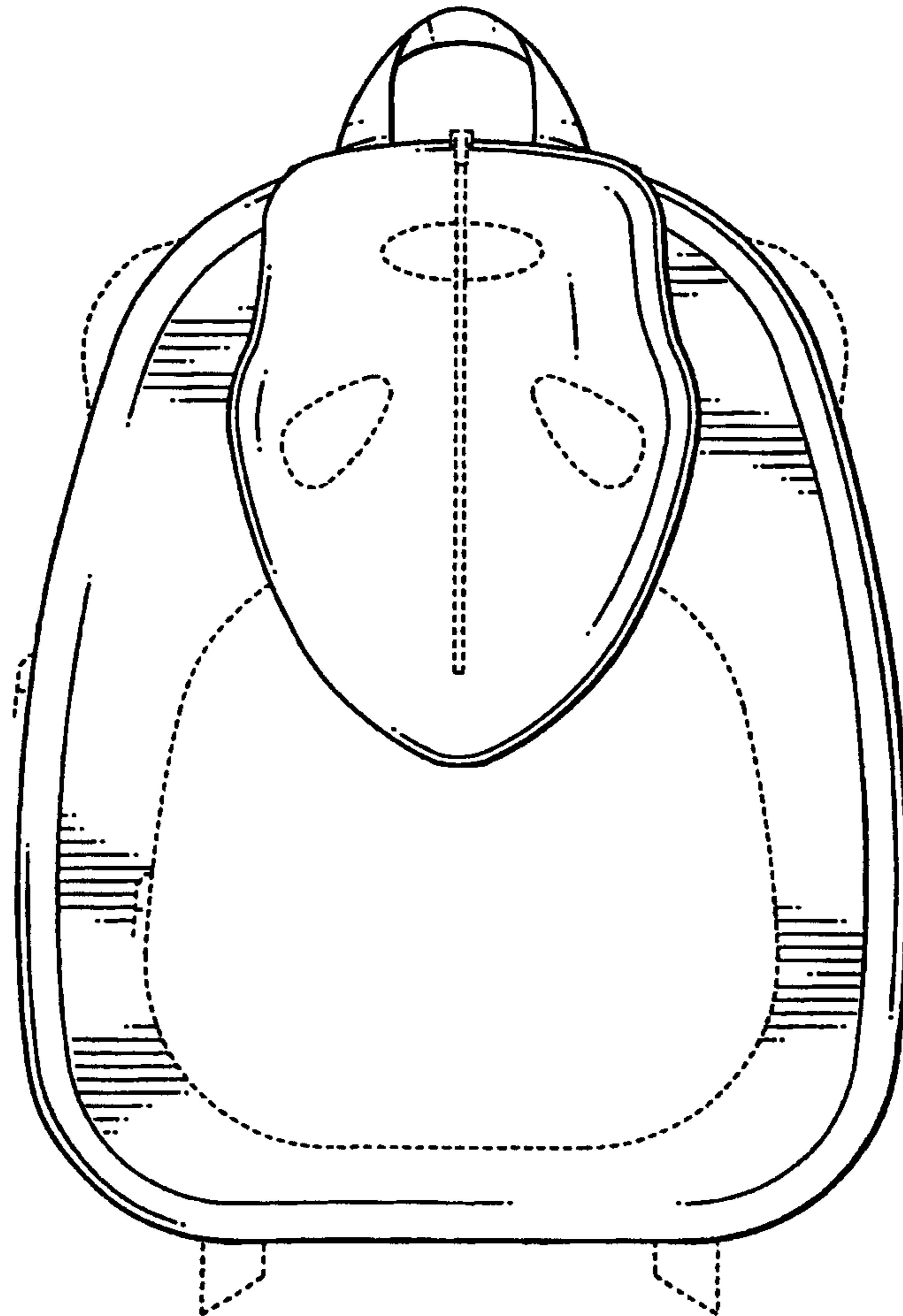


FIG. 9



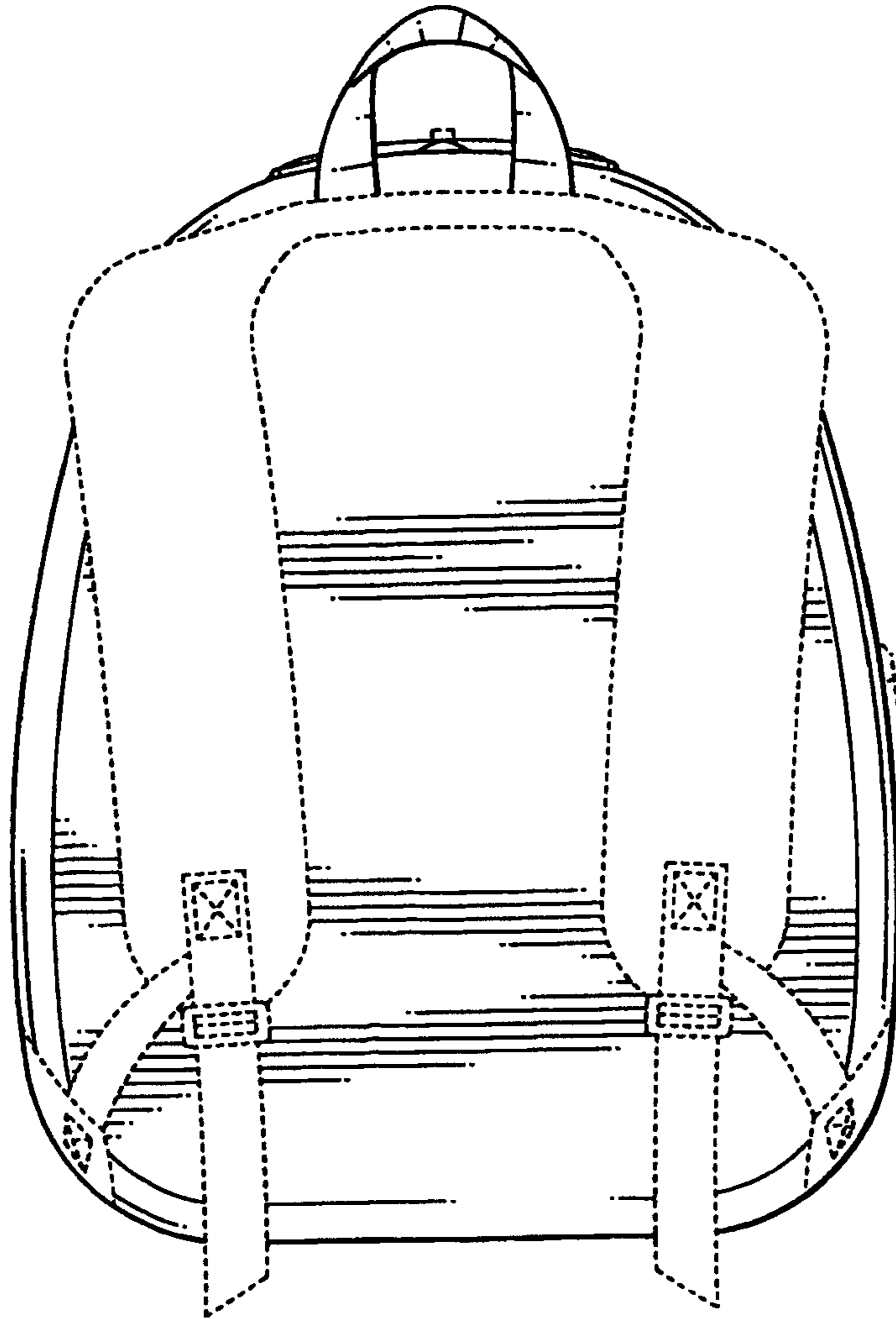


FIG. 10

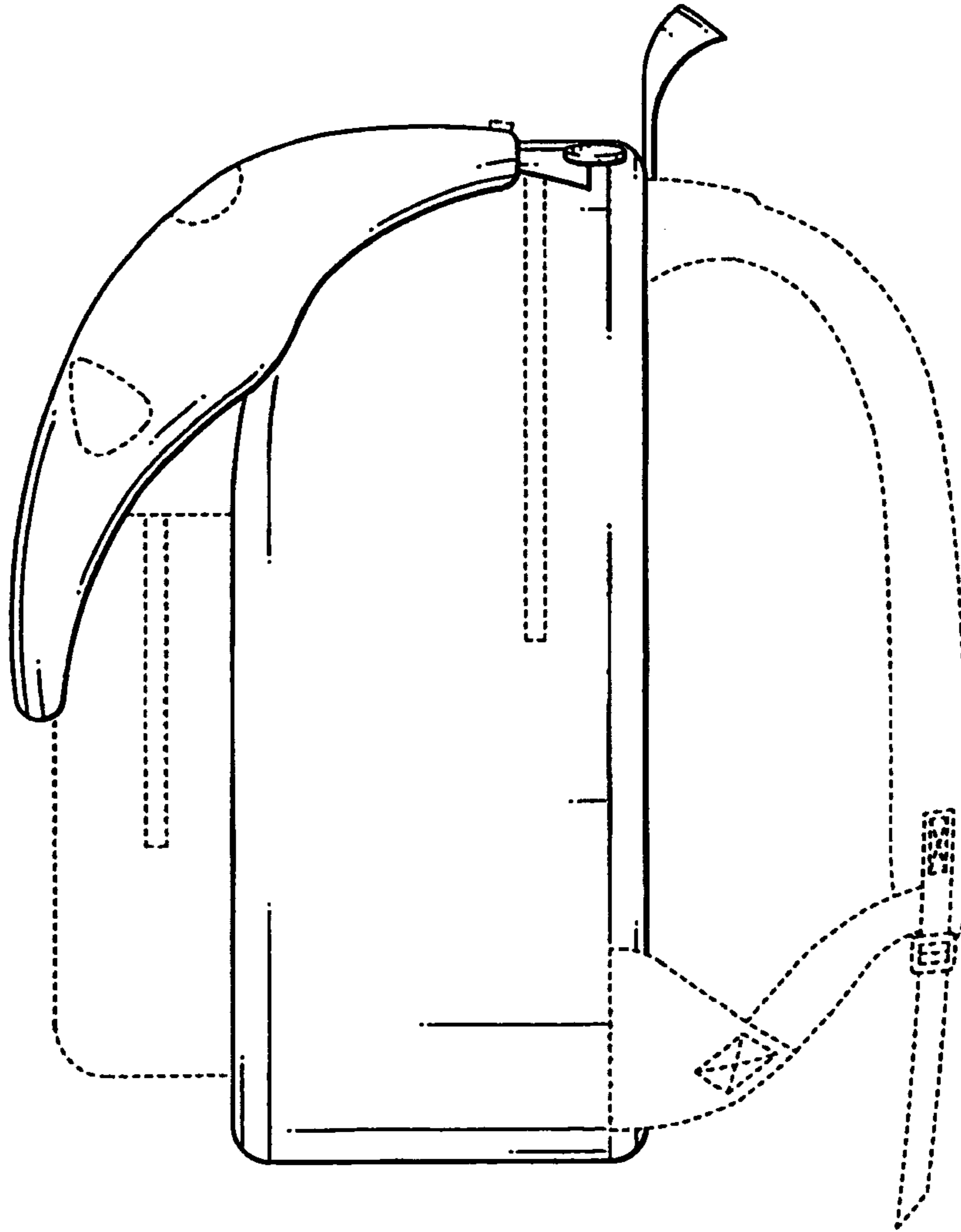


FIG. 11

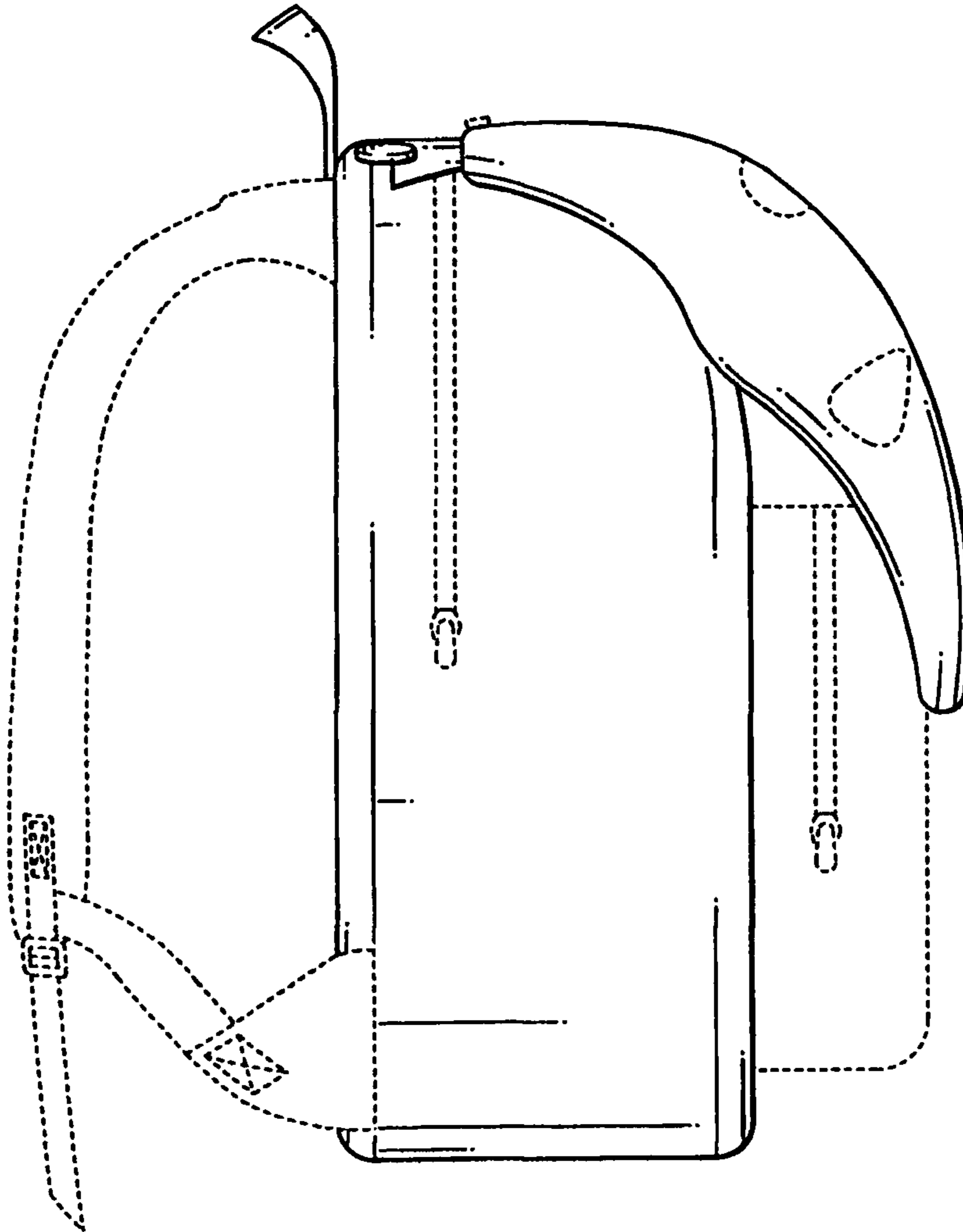


FIG. 12

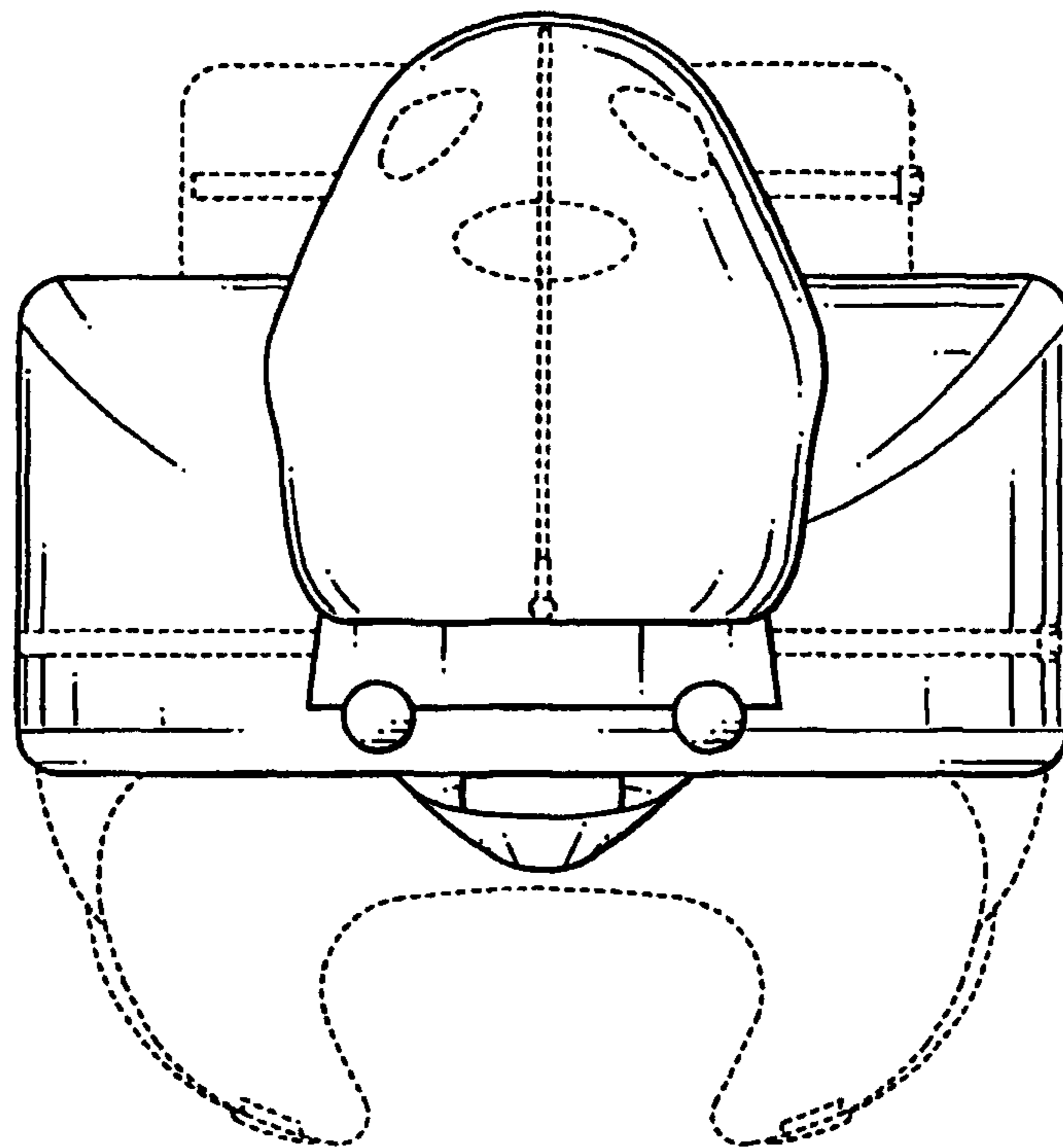


FIG. 13

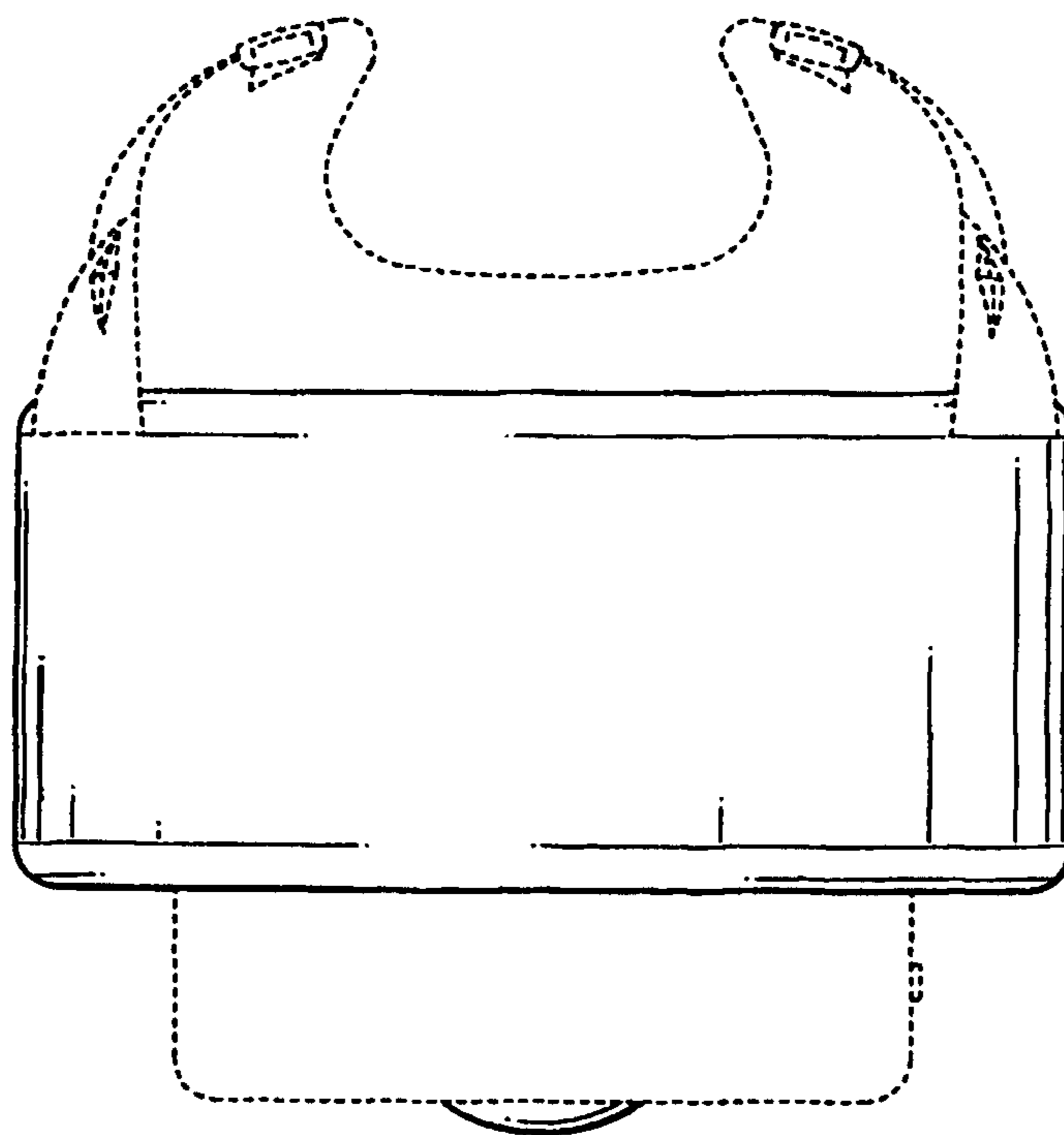


FIG. 14



FIG. 15

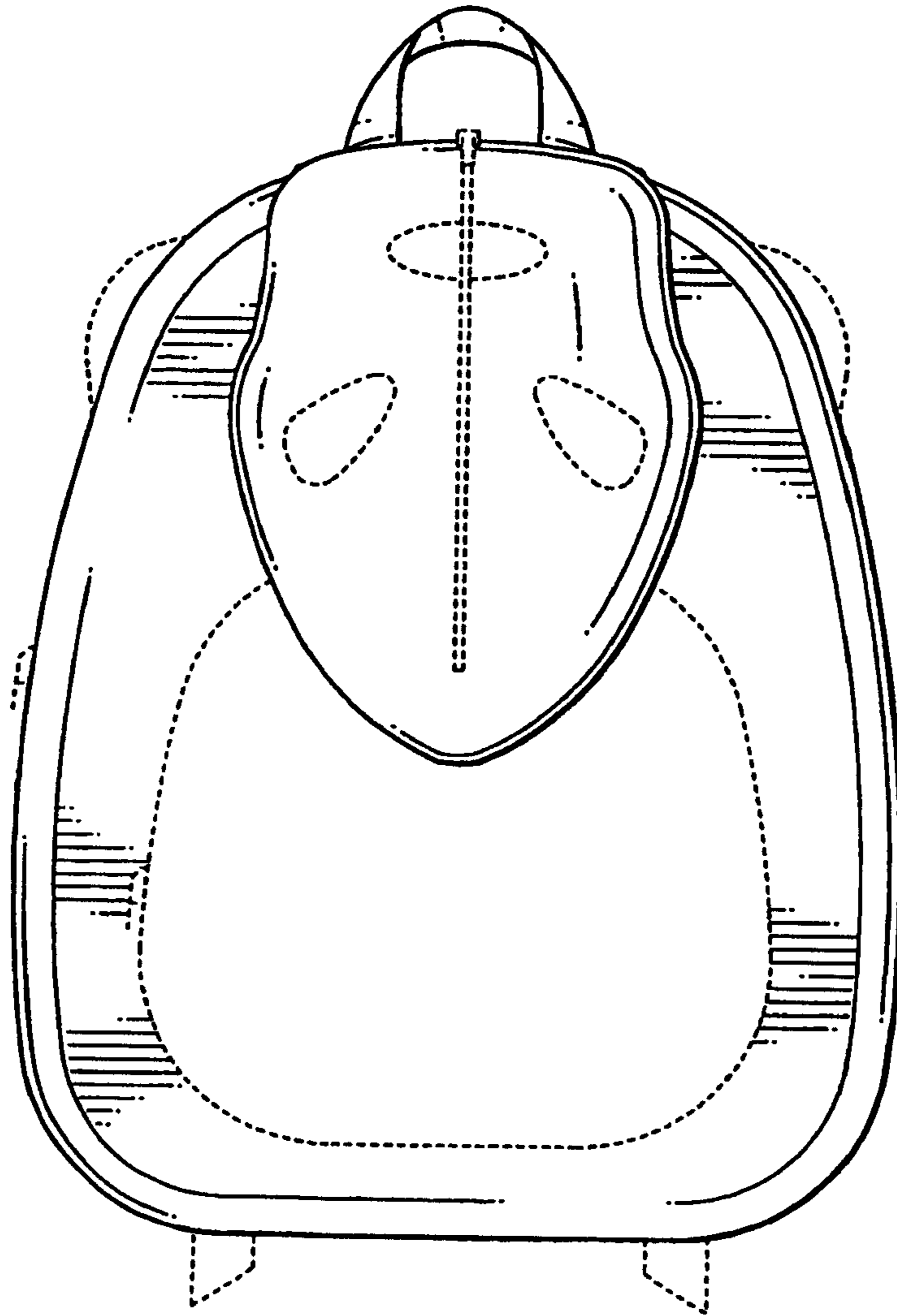


FIG. 16

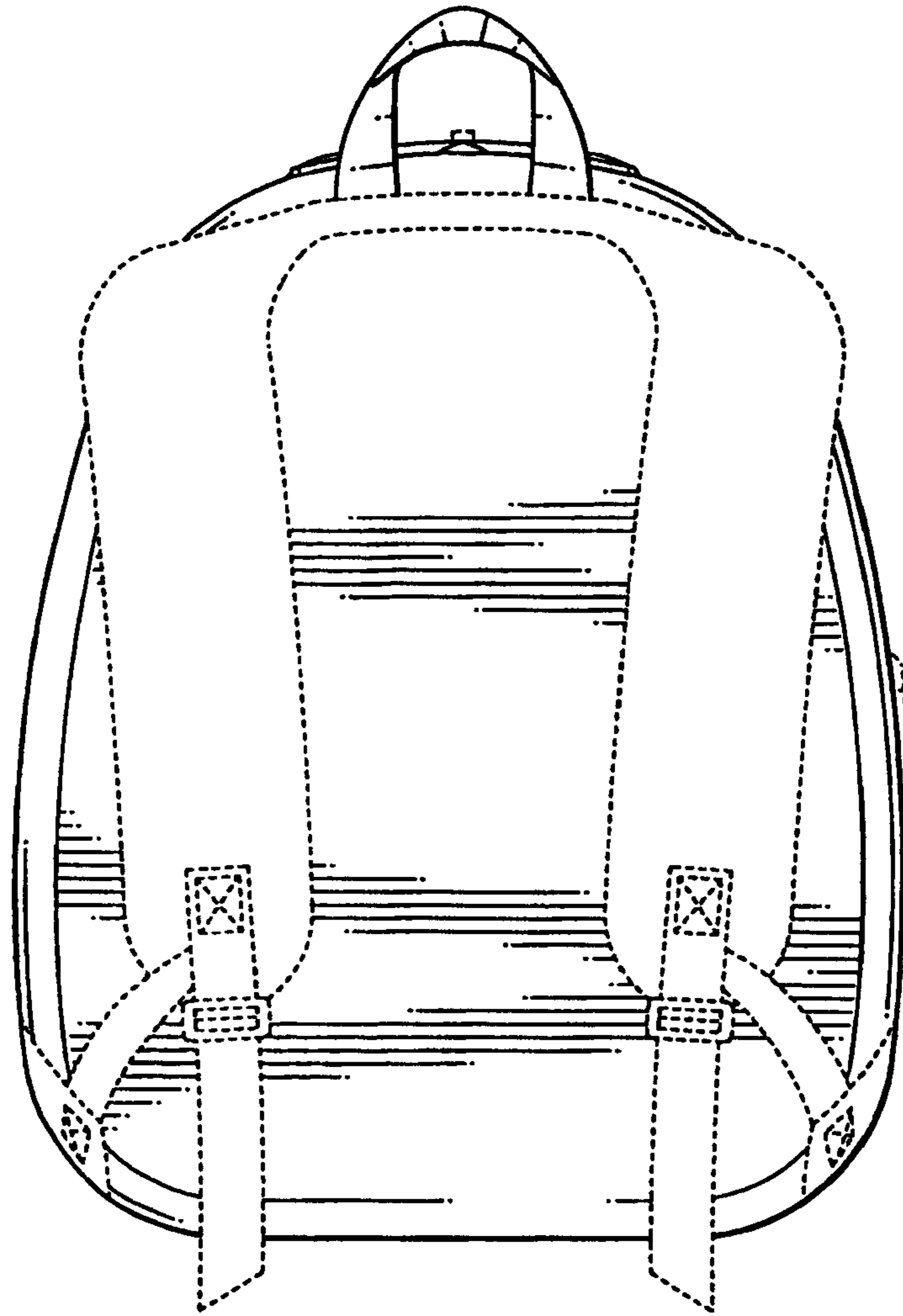


FIG. 17

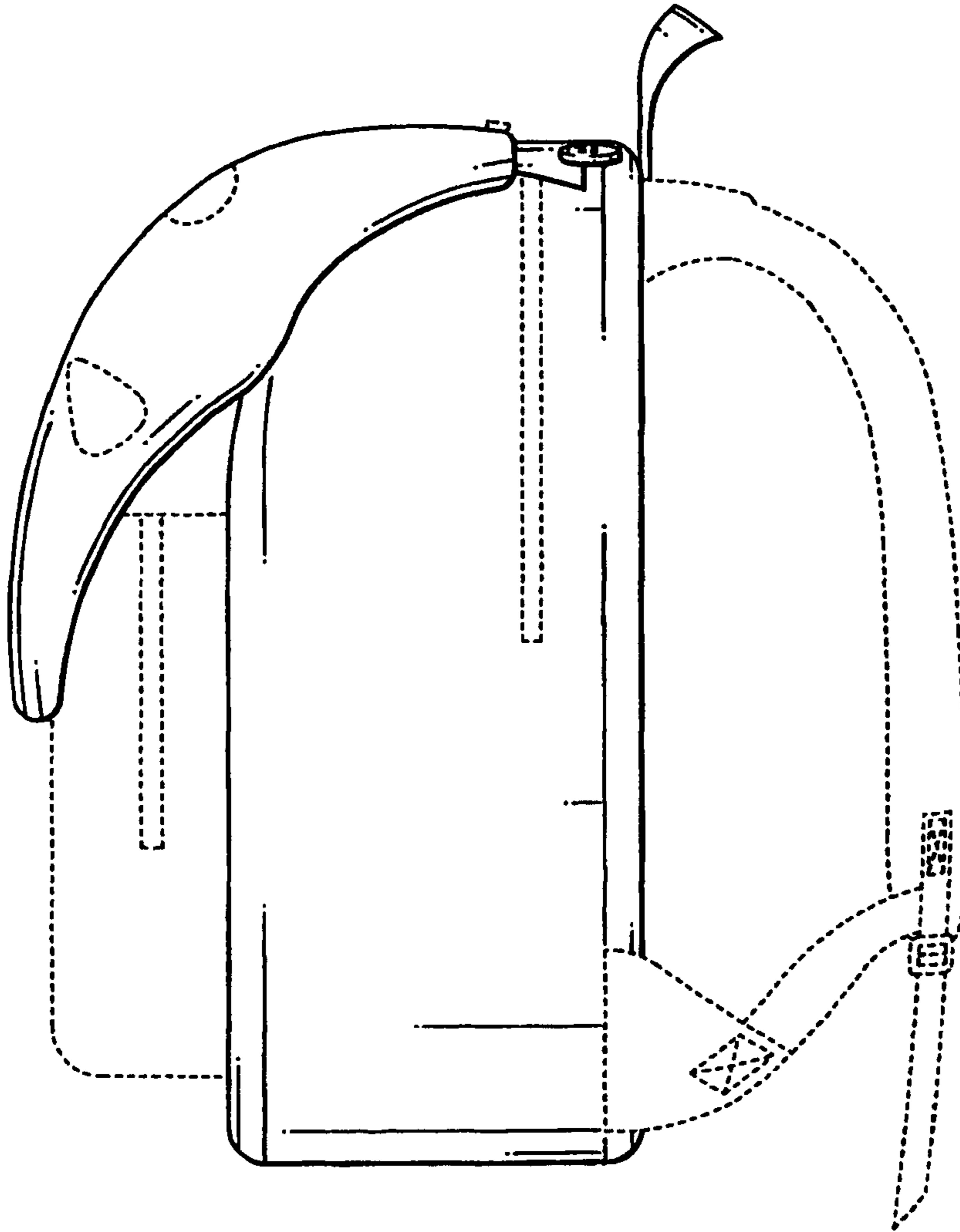


FIG. 18



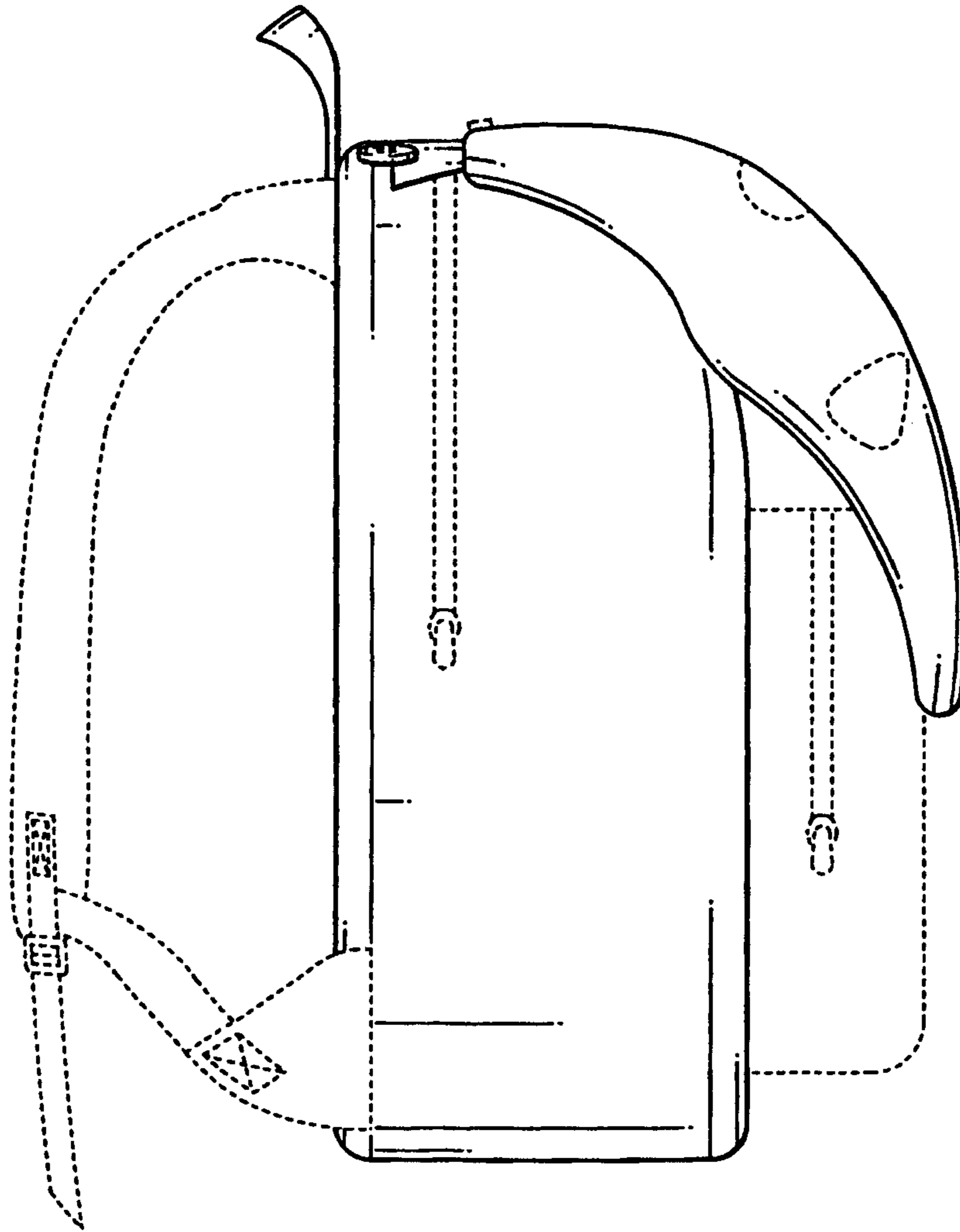


FIG. 19

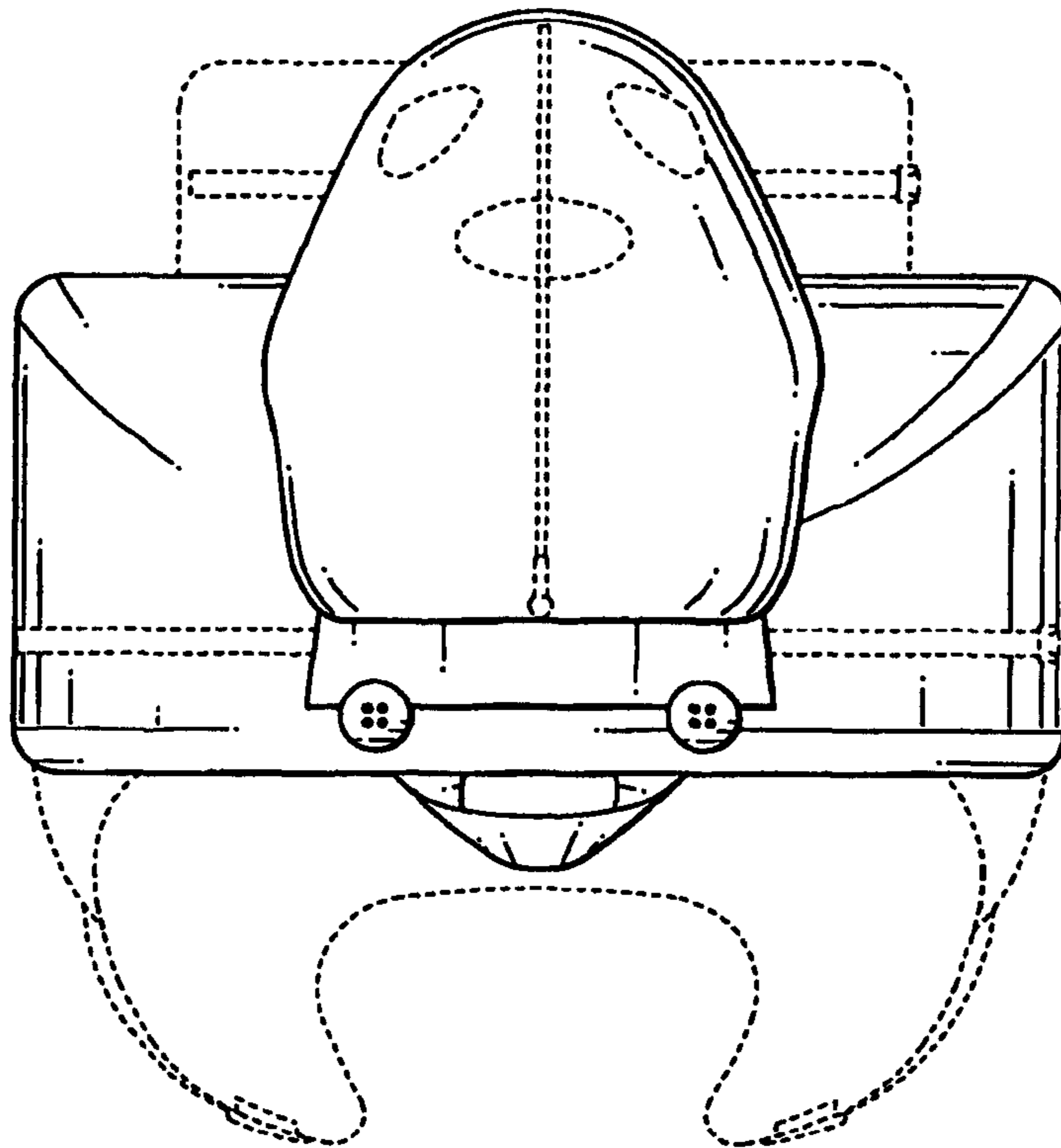


FIG. 20

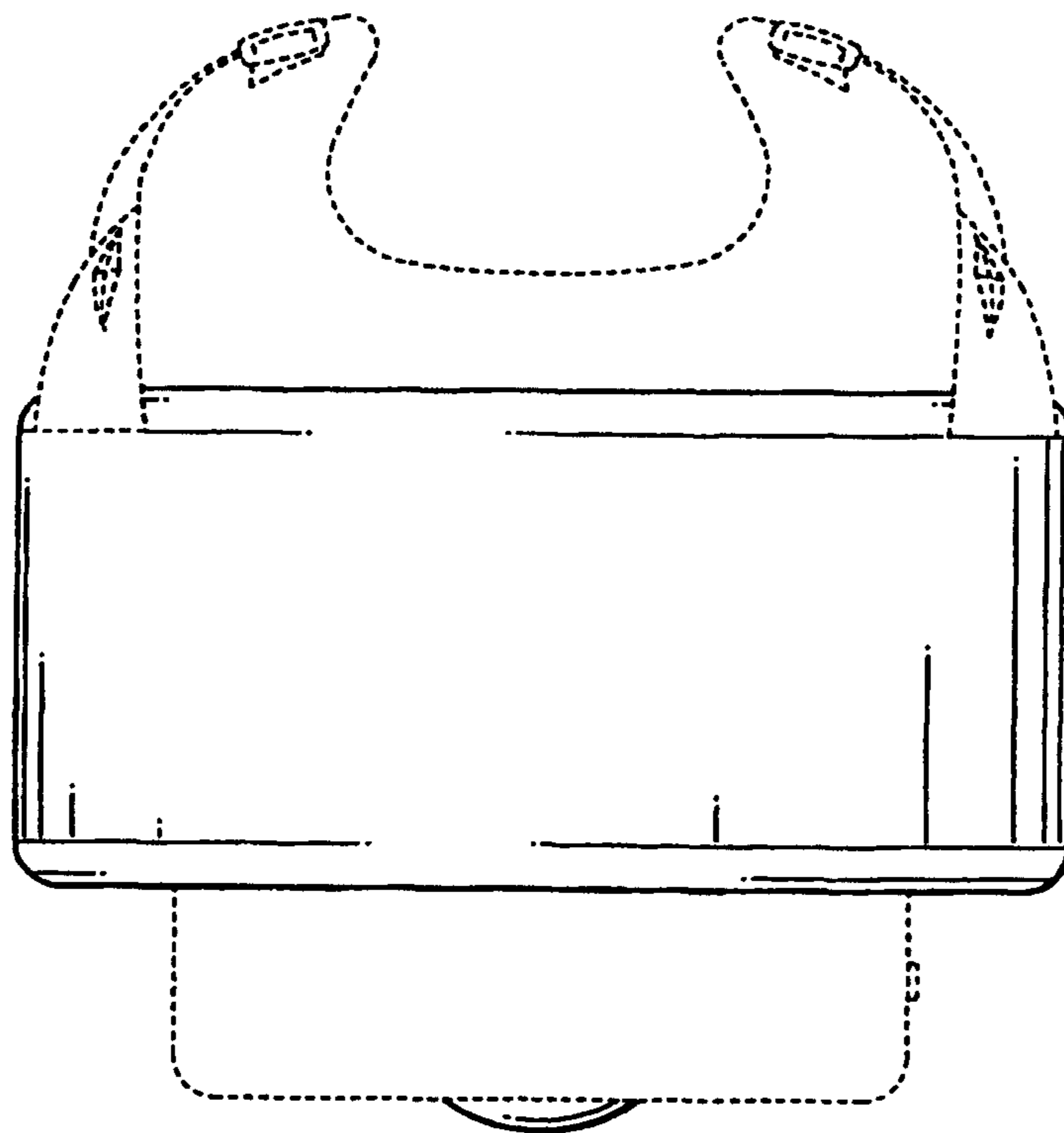


FIG. 21



FIG. 22

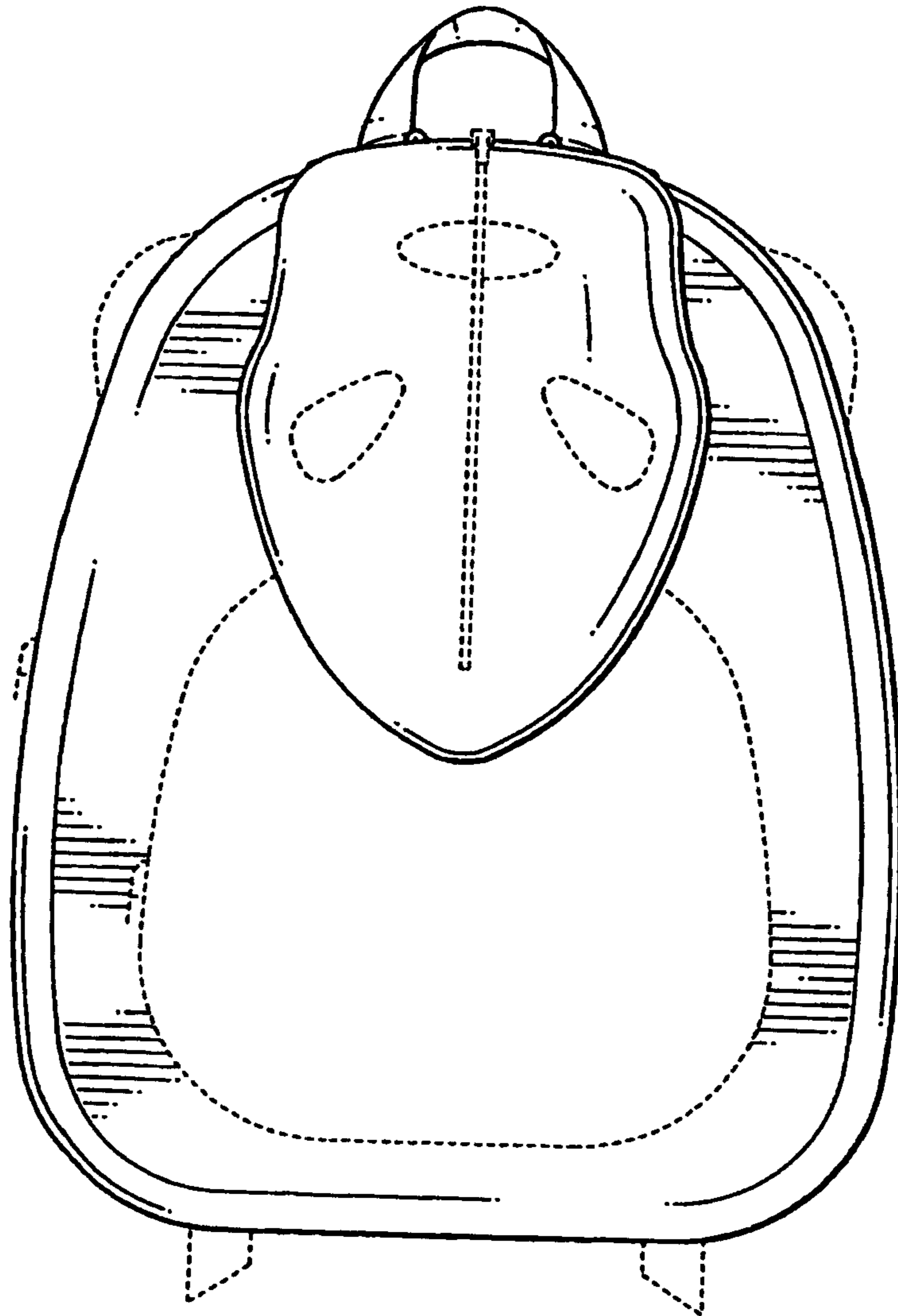


FIG. 23

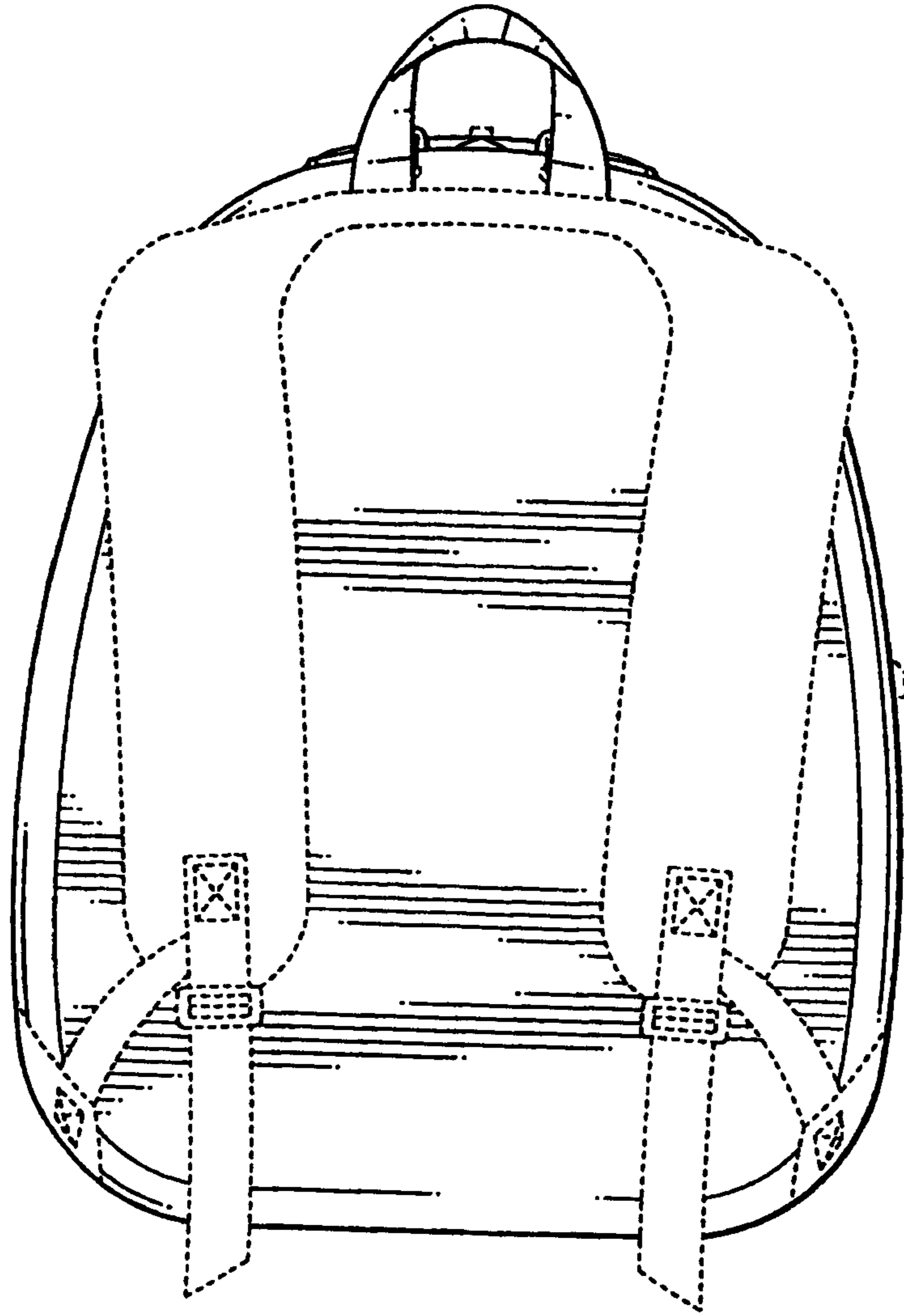


FIG. 24

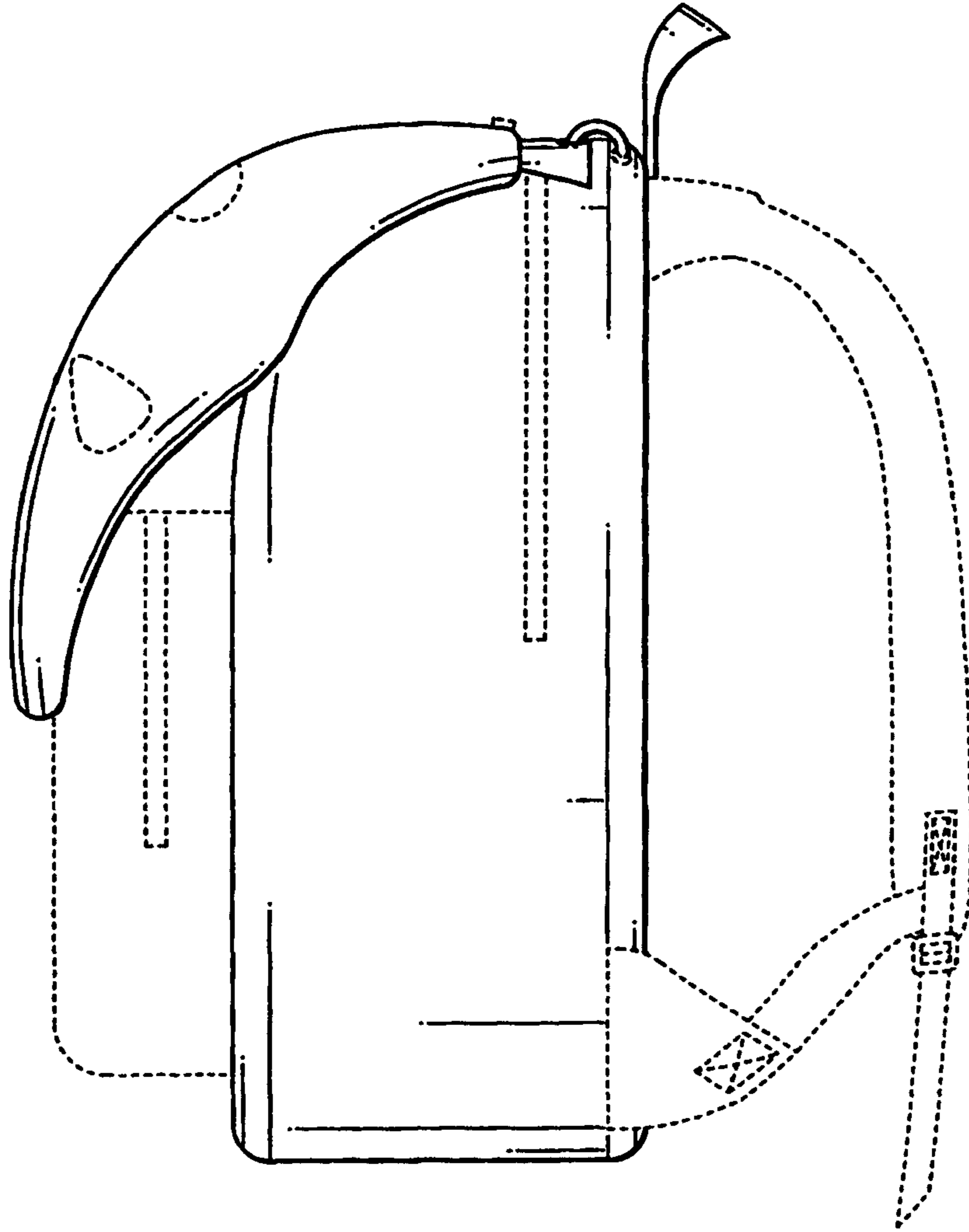


FIG. 25

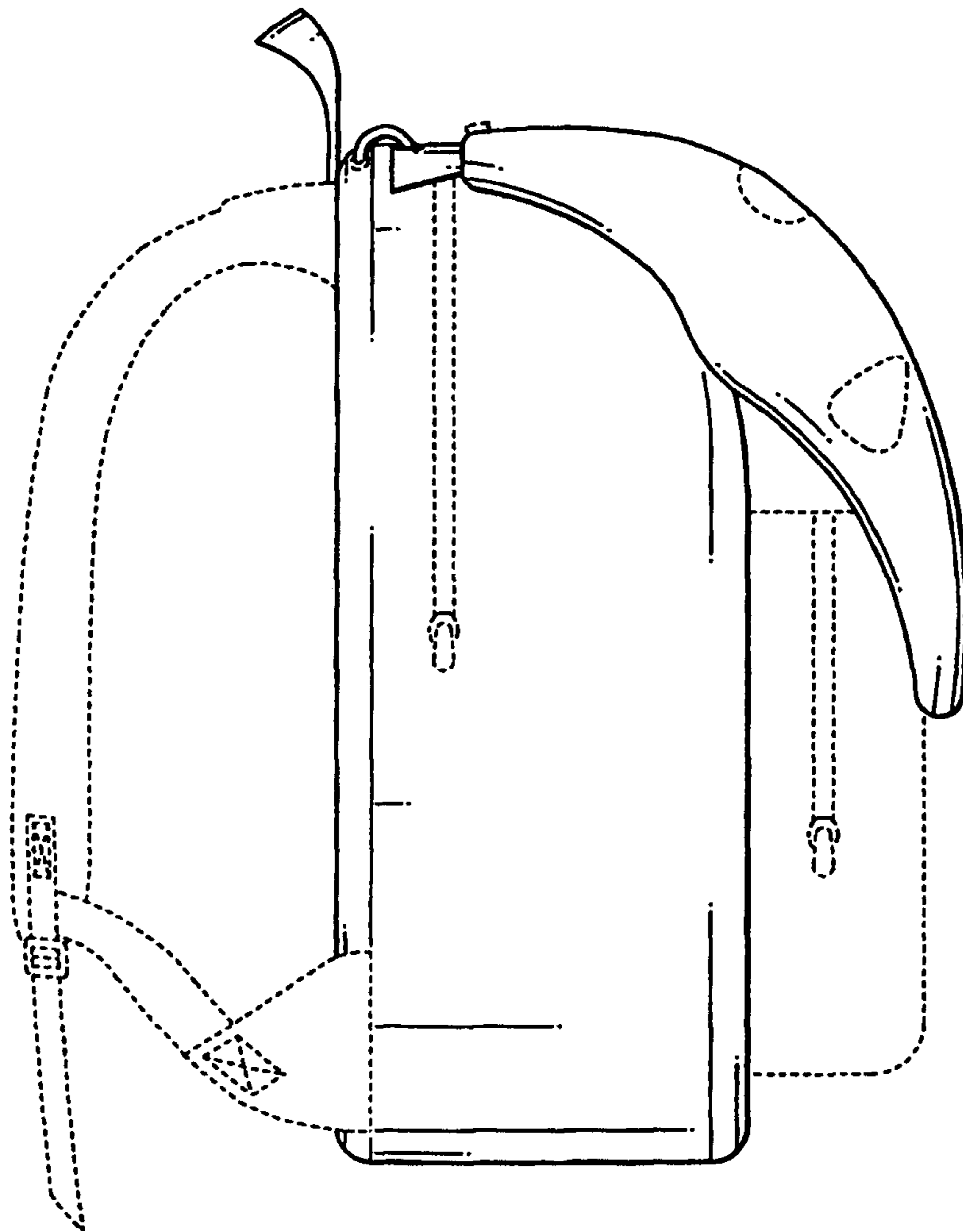


FIG. 26

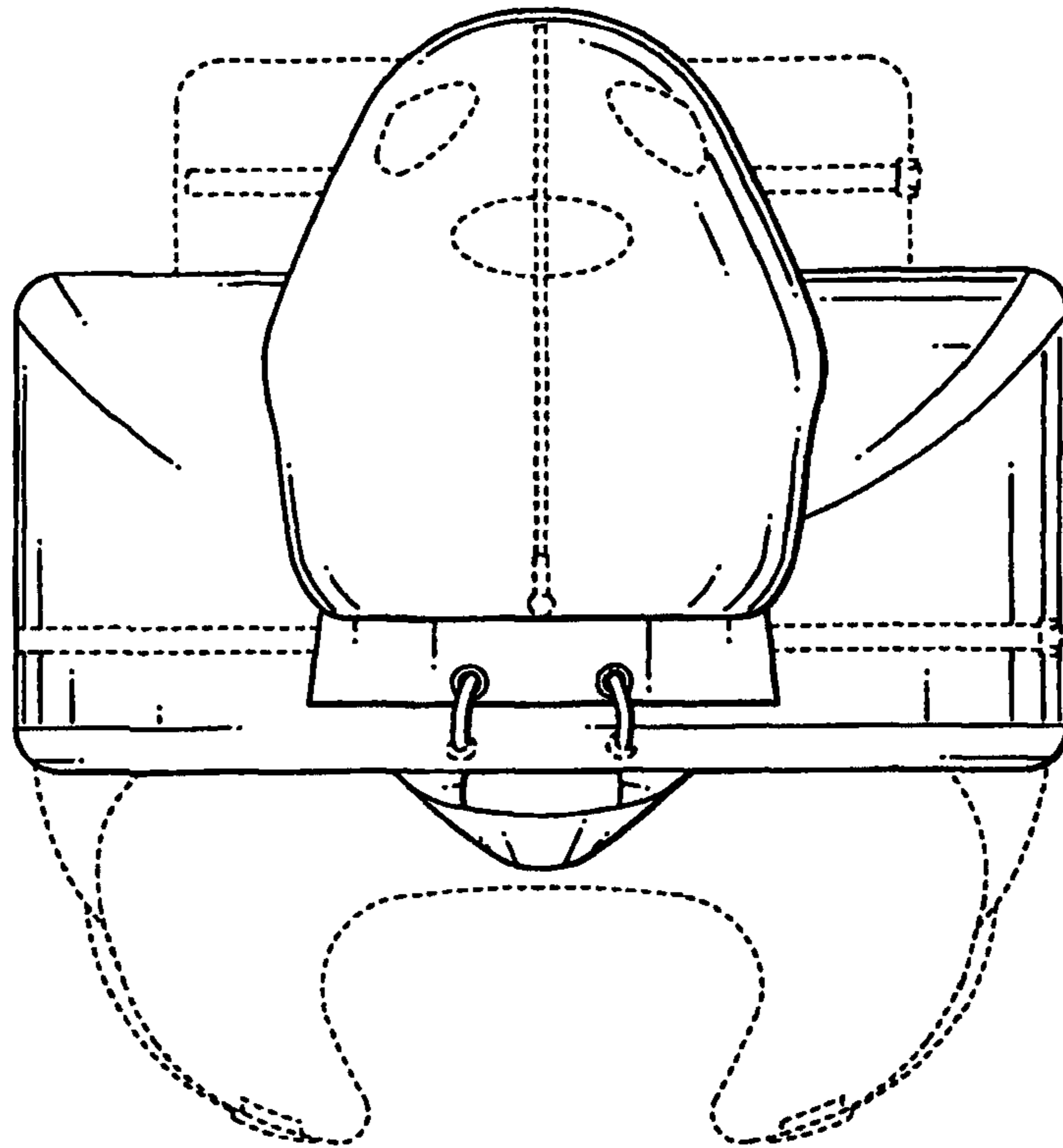


FIG. 27

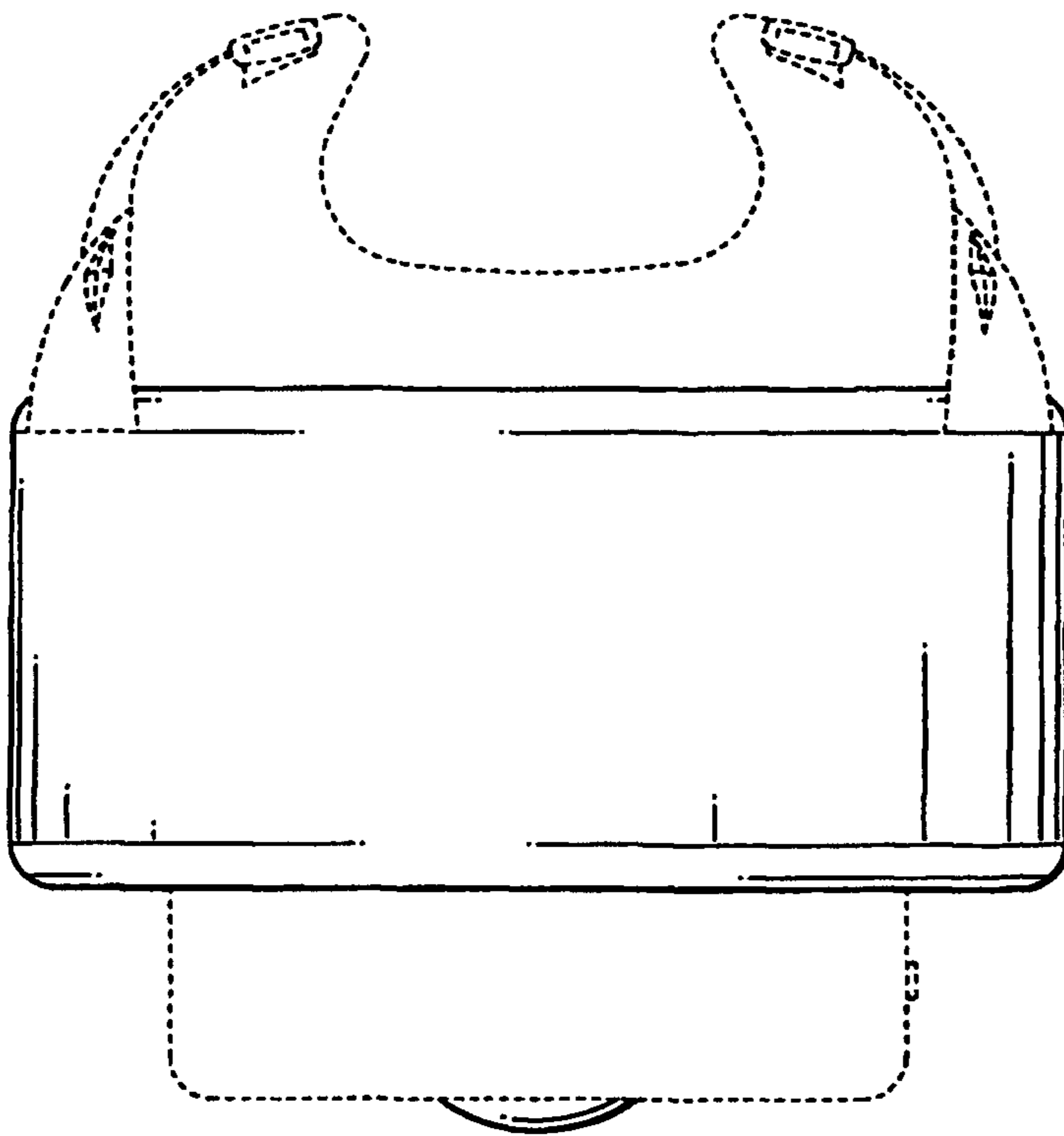


FIG. 28





FIG. 29

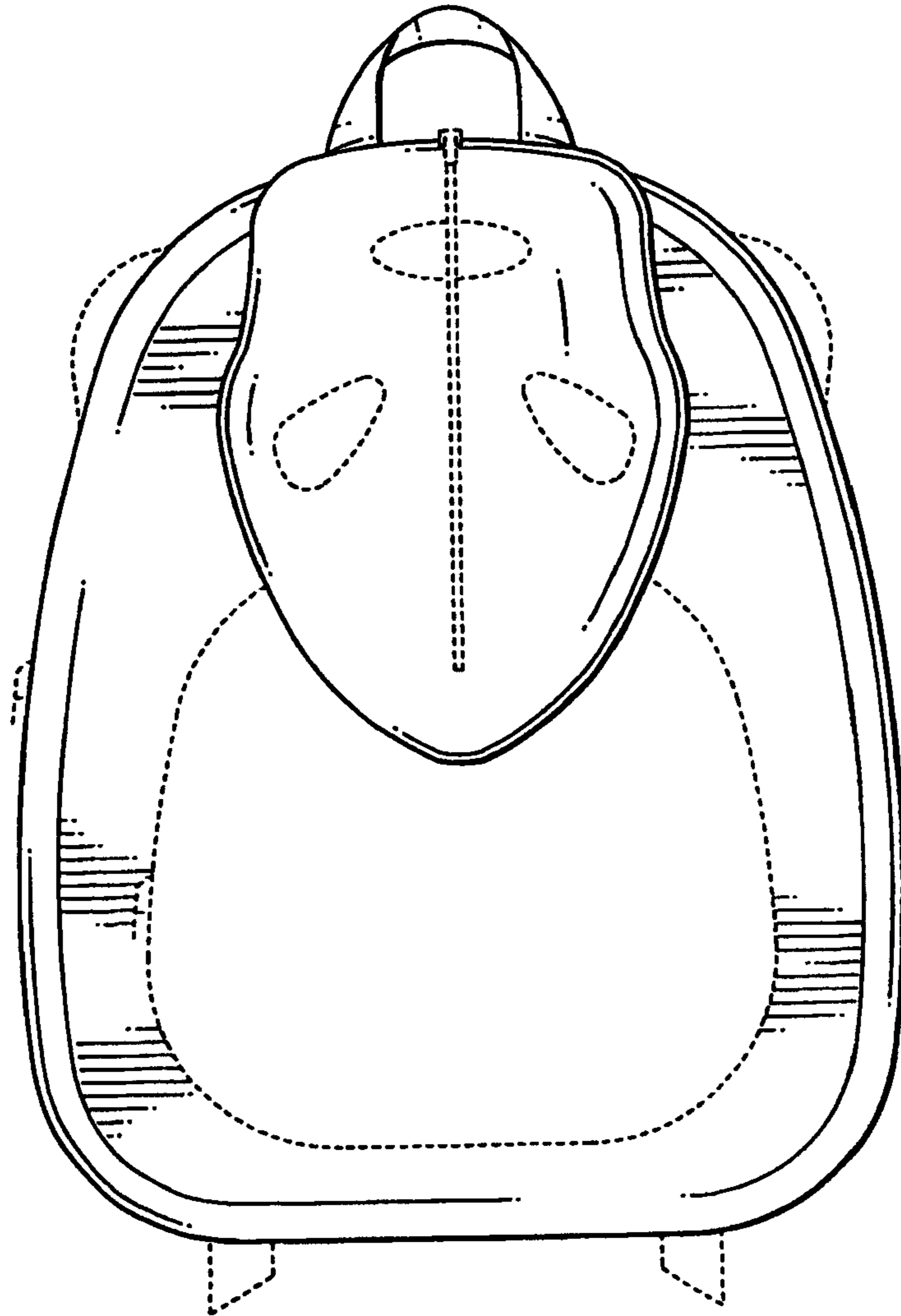


FIG. 30

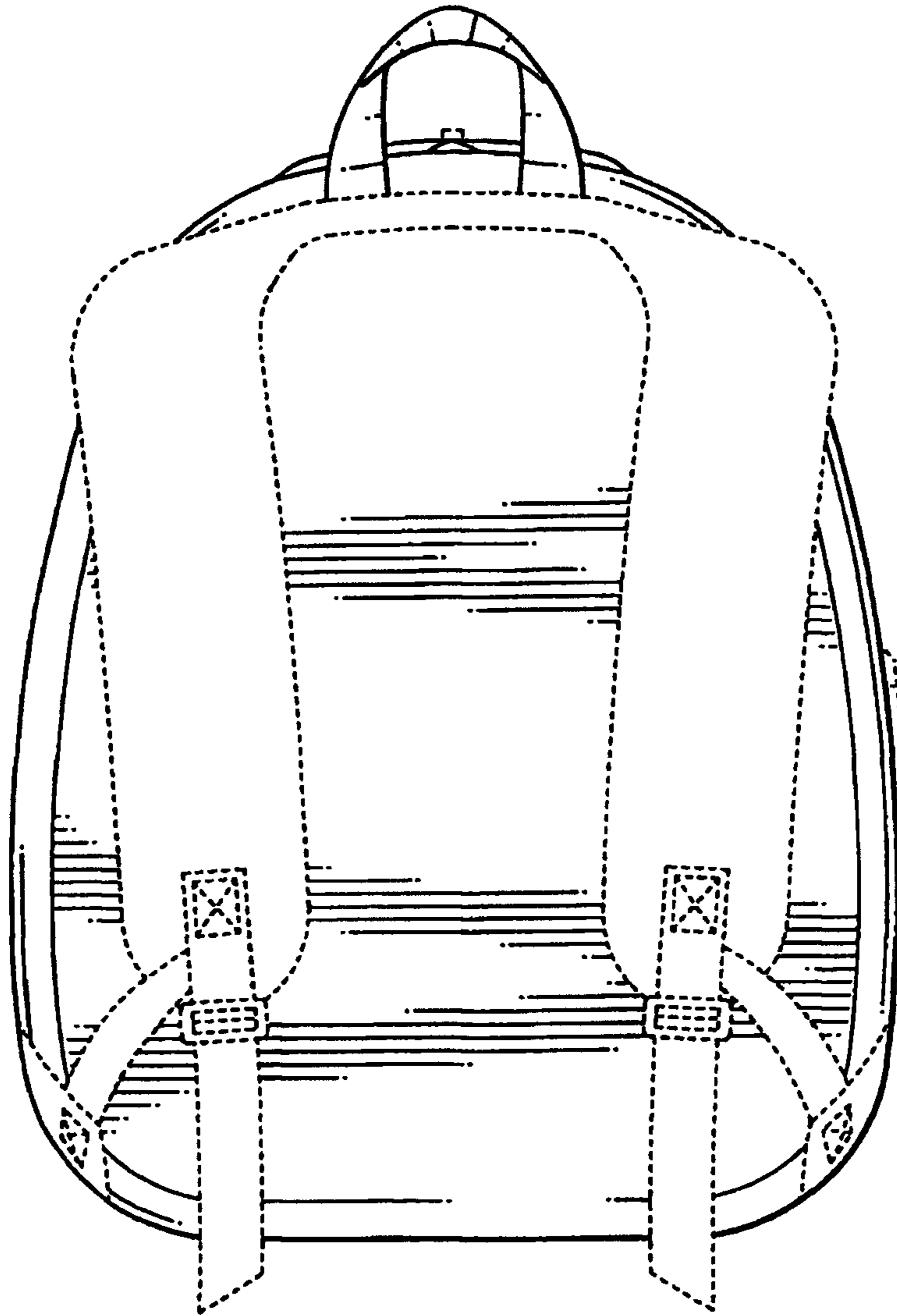


FIG. 31

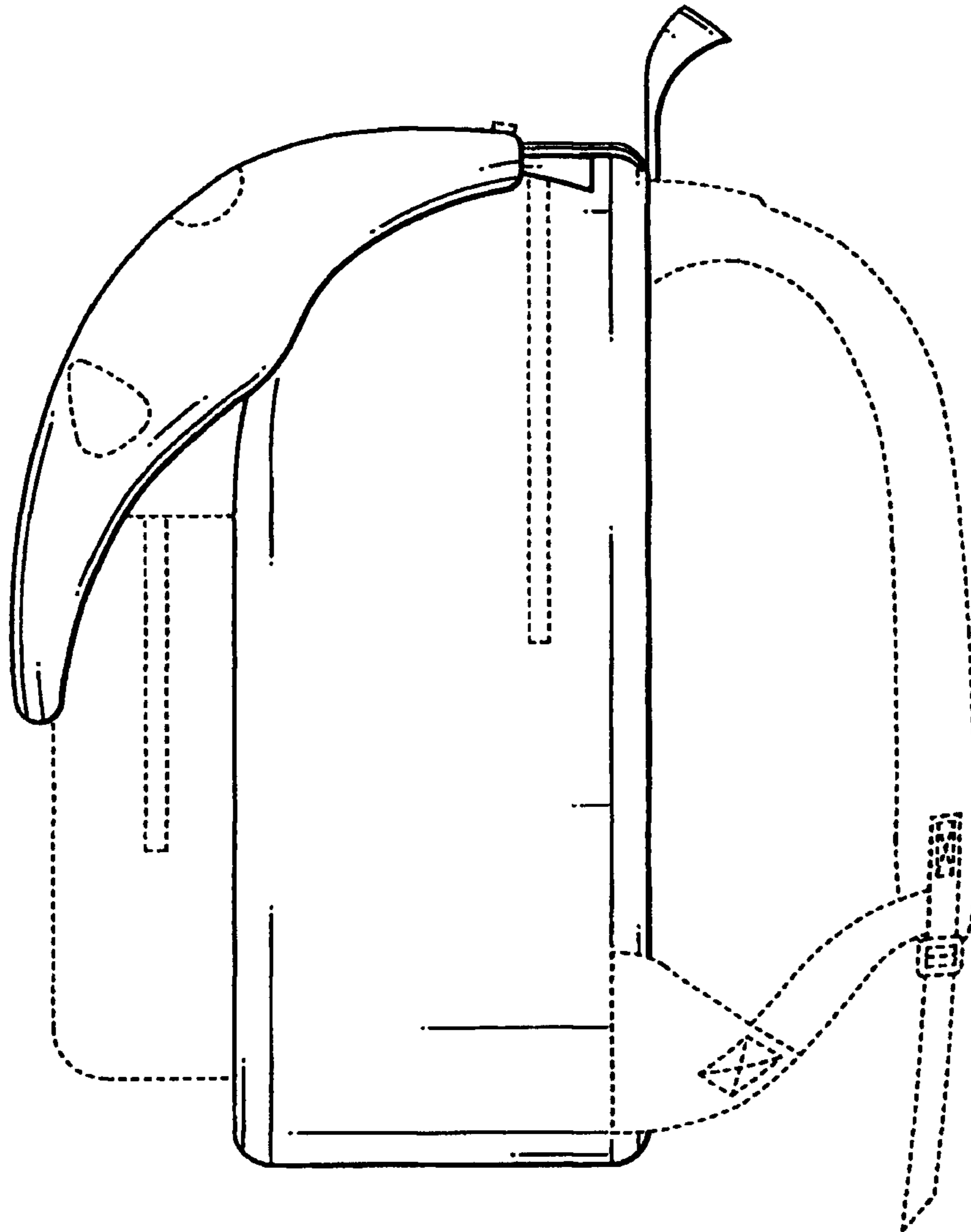


FIG. 32

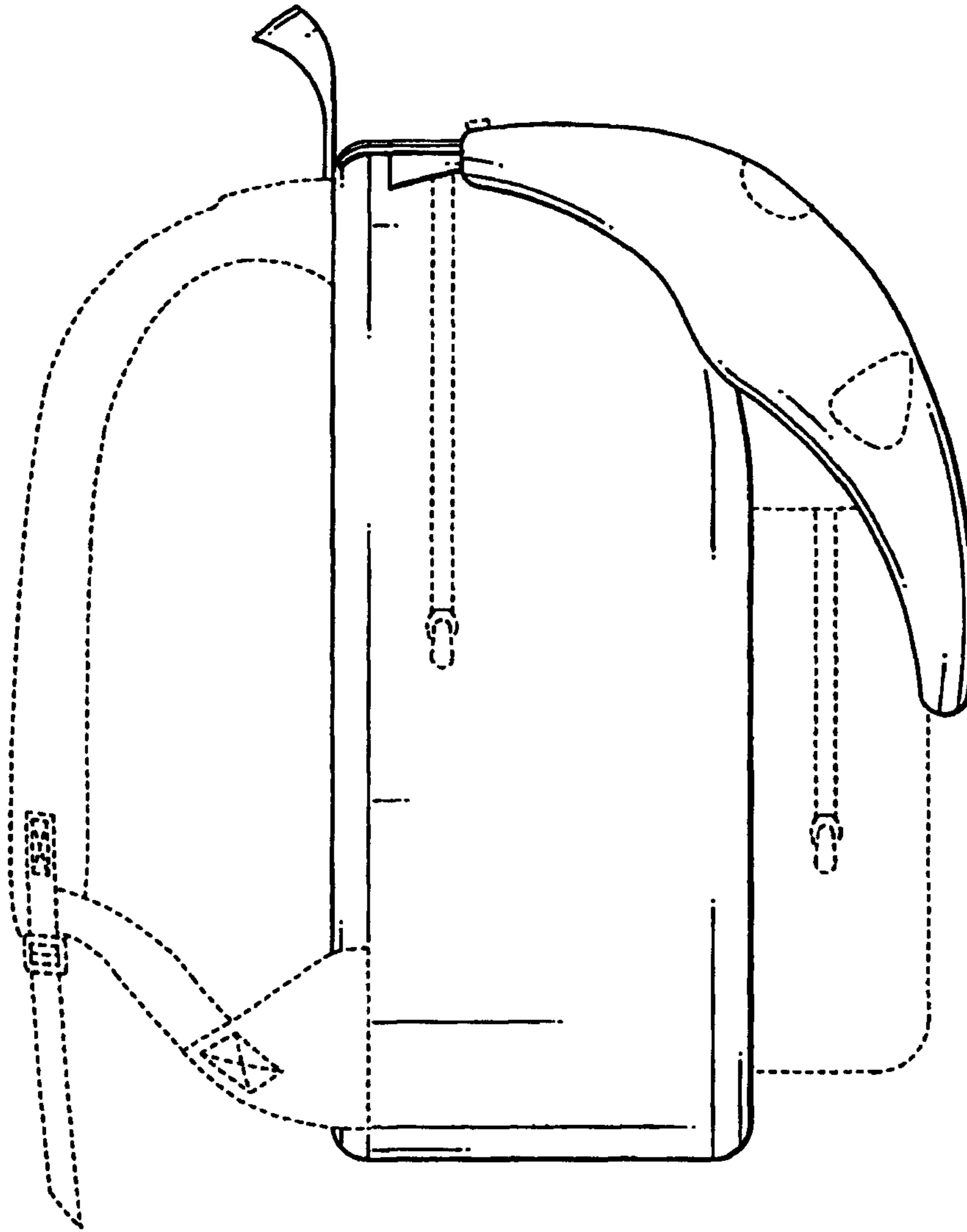


FIG. 33

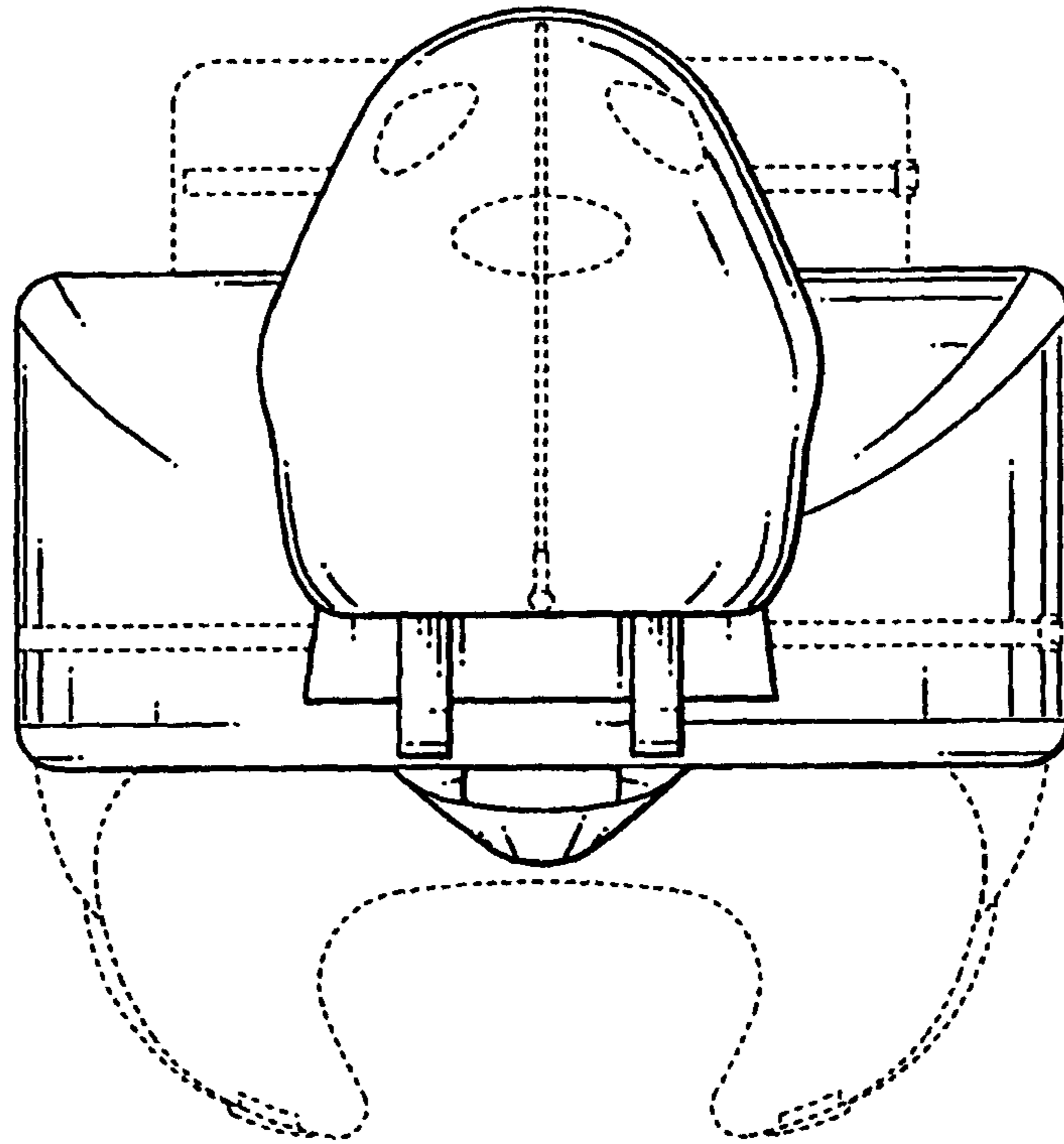


FIG. 34

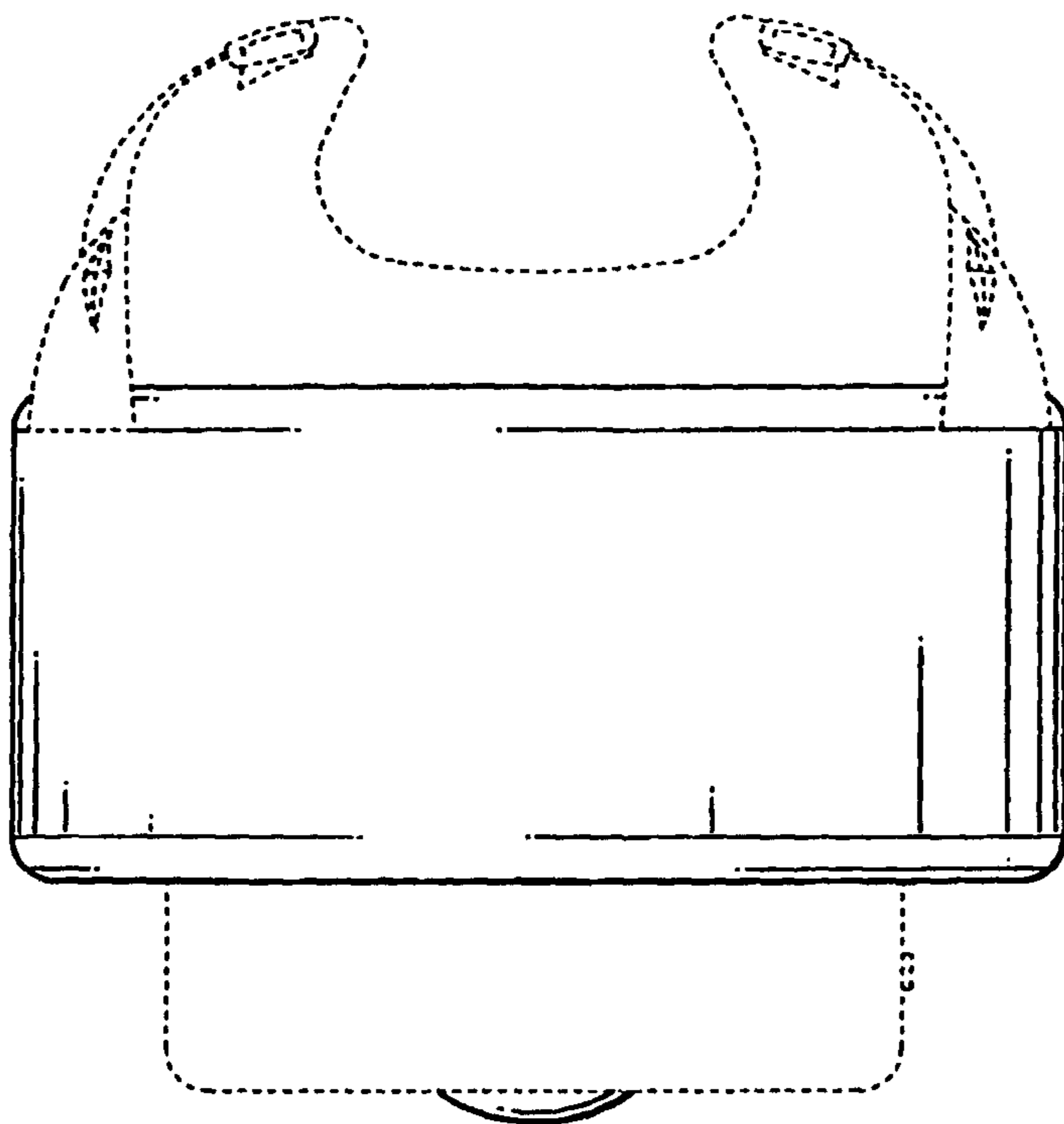


FIG. 35