



US00D619801S

(12) **United States Design Patent**
Ma et al.

(10) **Patent No.:** **US D619,801 S**
(45) **Date of Patent:** **** Jul. 20, 2010**

(54) **CASE FOR FIRST AID SUPPLIES**

(75) Inventors: **Man For Ma**, New Territories (CN);
Daniel Peter Sterling, Norwalk, CT
(US); **Lee Webb**, Fairfield, CT (US);
Jonathan A. Lee, Milford, CT (US)

(73) Assignee: **Acme United Corporation**, Fairfield,
CT (US)

(**) Term: **14 Years**

(21) Appl. No.: **29/312,356**

(22) Filed: **Oct. 16, 2008**

(51) **LOC (9) Cl.** **03-01**

(52) **U.S. Cl.** **D3/203.6**

(58) **Field of Classification Search** D3/203.6,
D3/203.1, 272-273, 276, 281-282, 294, 905;
206/528-540, 570, 581-582; 190/119
See application file for complete search history.

(56) **References Cited**

U.S. PATENT DOCUMENTS

5,394,966	A *	3/1995	Chow	190/119
D408,625	S *	4/1999	Barker	D3/203.1
D462,520	S *	9/2002	Snider	D3/282
D503,275	S	3/2005	Miller		
D505,541	S	5/2005	Miller		
D505,542	S	5/2005	Miller		
D505,543	S *	5/2005	Miller	D3/203.6
D562,547	S *	2/2008	Mesalic et al.	D3/203.6

* cited by examiner

Primary Examiner—Catherine R Oliver

(74) *Attorney, Agent, or Firm*—Alix, Yale & Ristas, LLP

(57) **CLAIM**

The ornamental design for a case for first aid supplies, as shown and described.

DESCRIPTION

FIG. 1 is a perspective view of a case for first aid supplies showing our new design;

FIG. 2 is a front view thereof;

FIG. 3 is a rear view thereof;

FIG. 4 is a right side view thereof;

FIG. 5 is a left side view thereof;

FIG. 6 is a top plan view thereof;

FIG. 7 is a bottom plan view thereof;

FIG. 8 is a perspective view of a second embodiment thereof;

FIG. 9 is a front view of a second embodiment thereof;

FIG. 10 is a rear view of a second embodiment thereof;

FIG. 11 is a left side view of a second embodiment thereof;

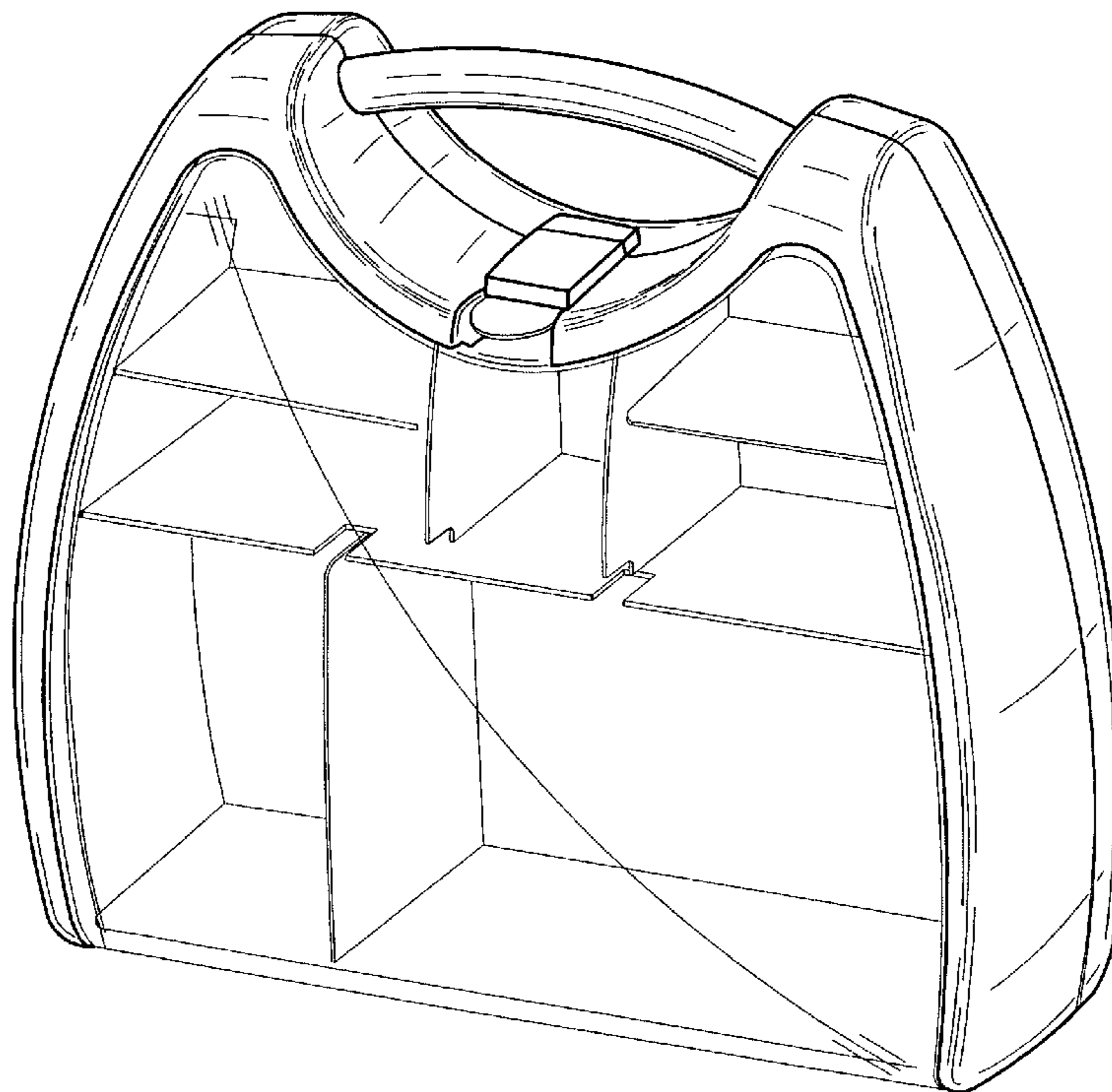
FIG. 12 is a right side view of a second embodiment thereof;

FIG. 13 is a top plan view of a second embodiment thereof; and,

FIG. 14 is a bottom plan view of a second embodiment thereof.

The container modules are transparent or semi-transparent.

1 Claim, 14 Drawing Sheets



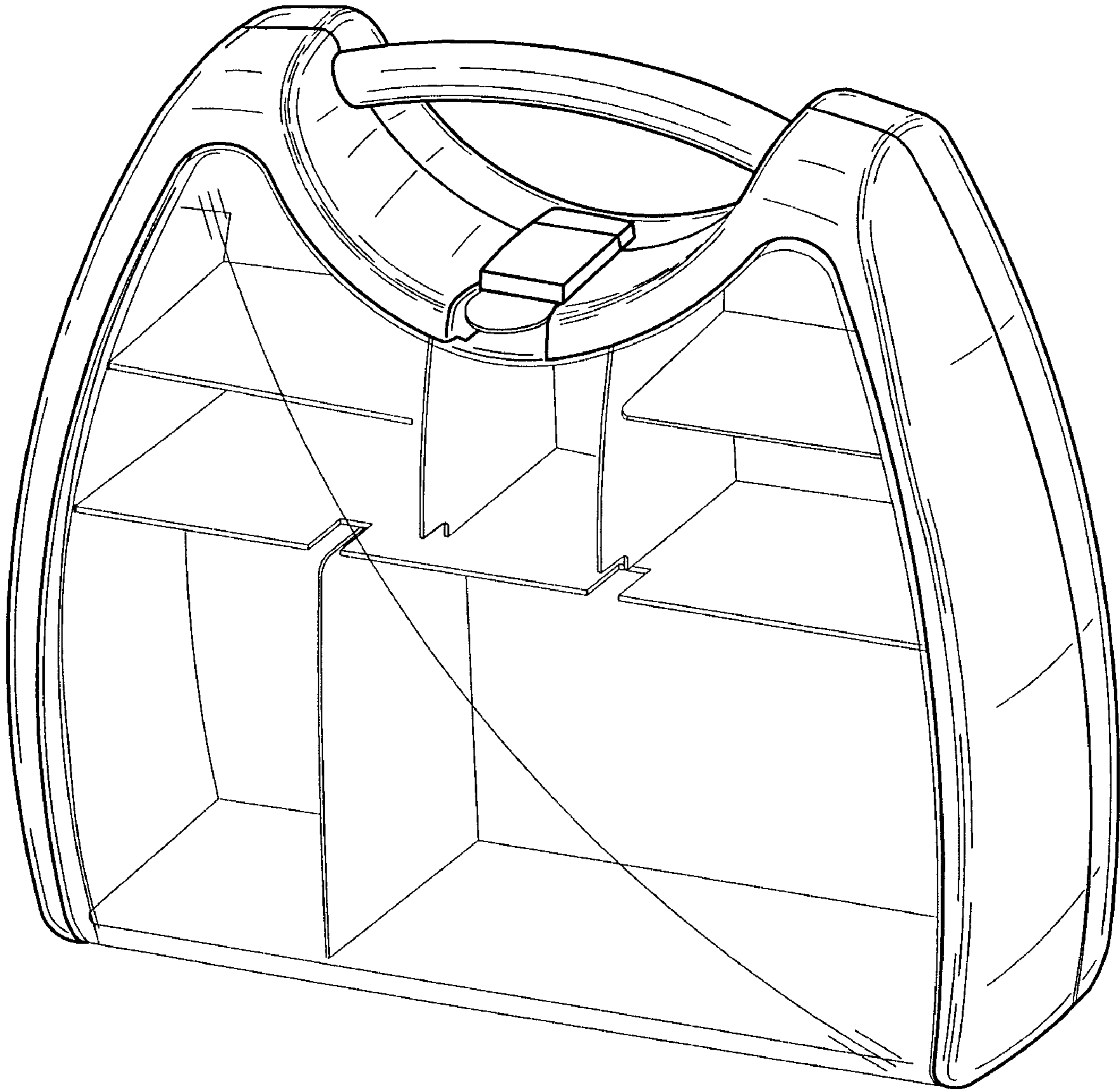


FIG. 1

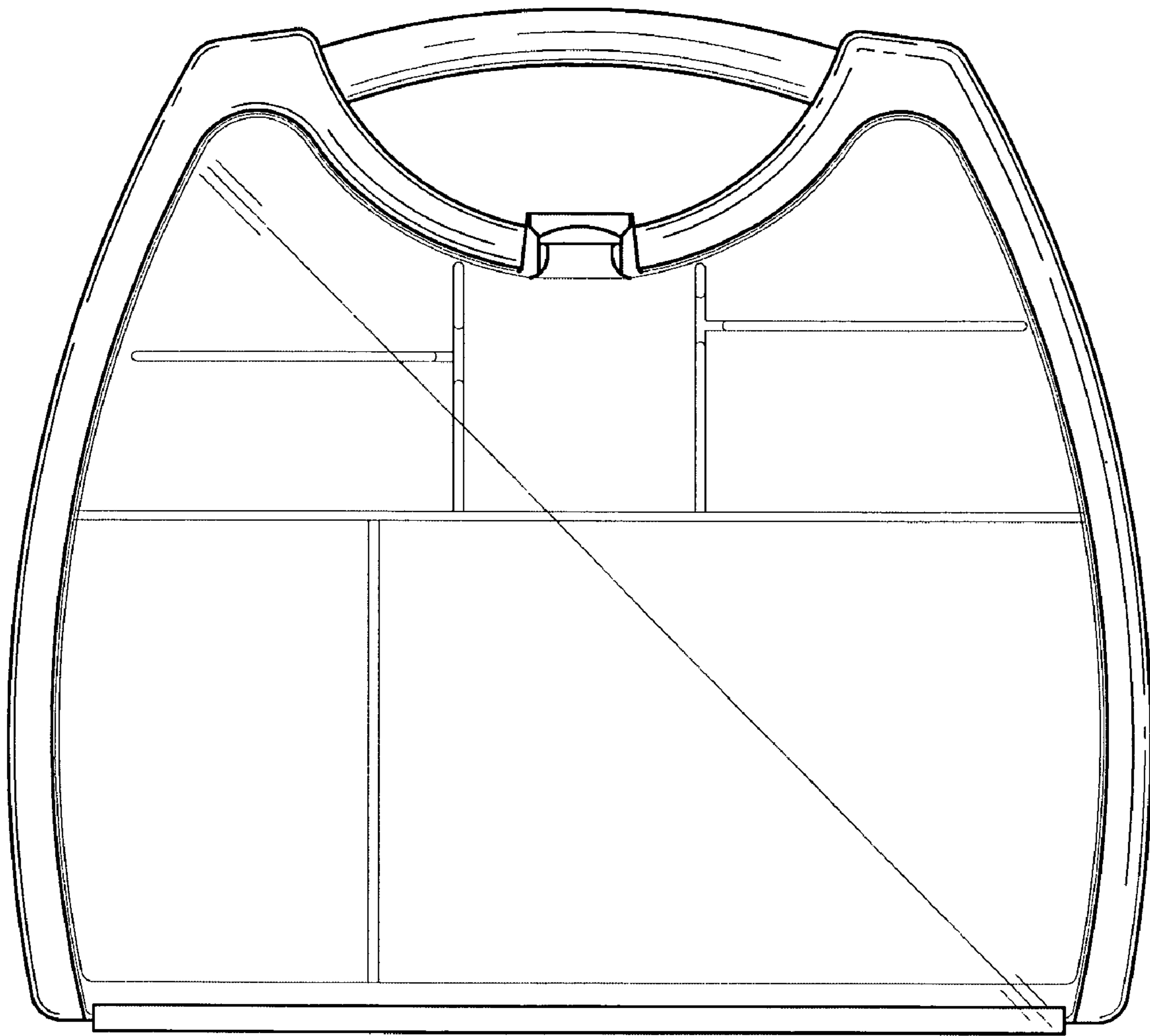


FIG. 2

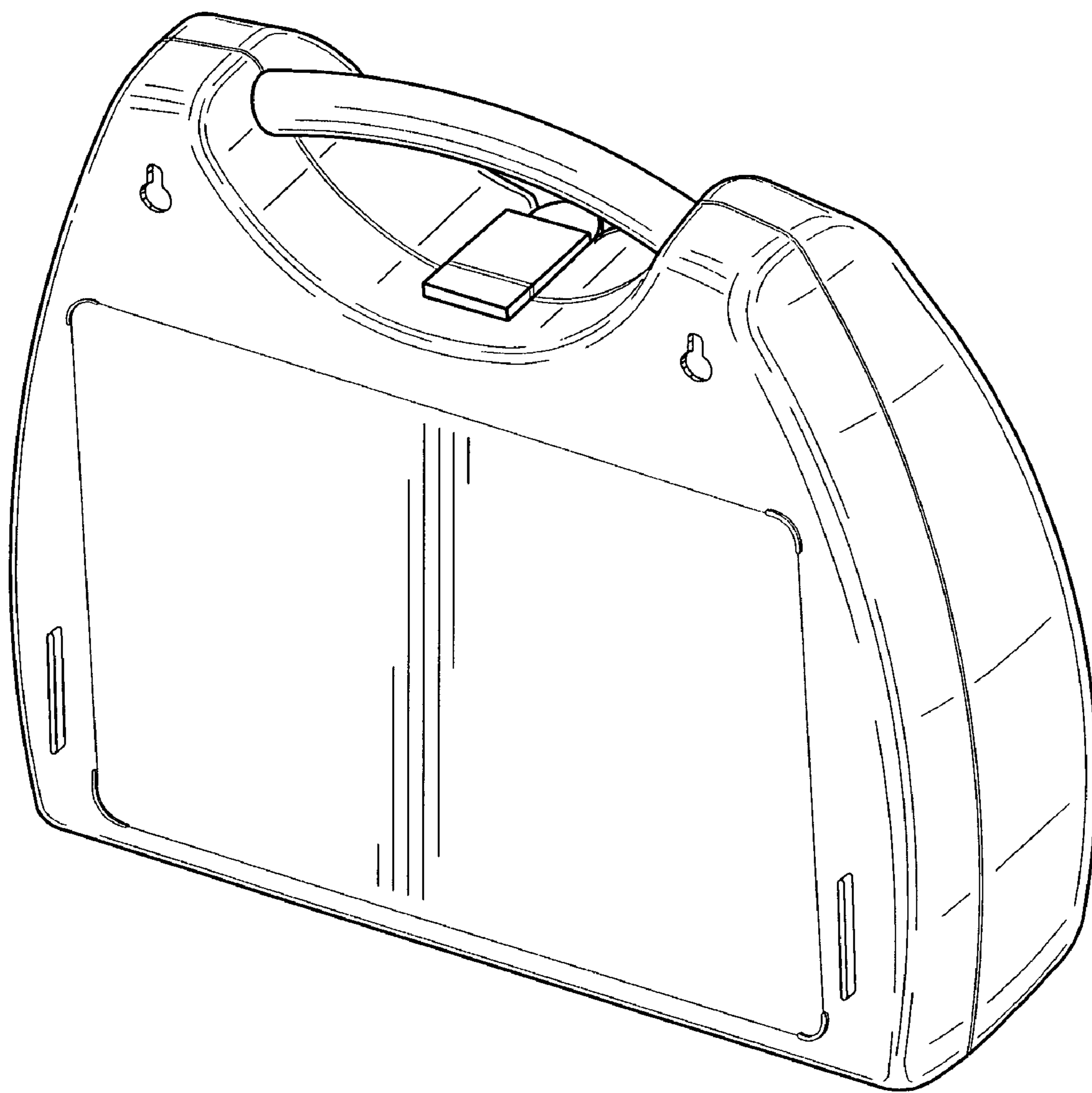


FIG. 3

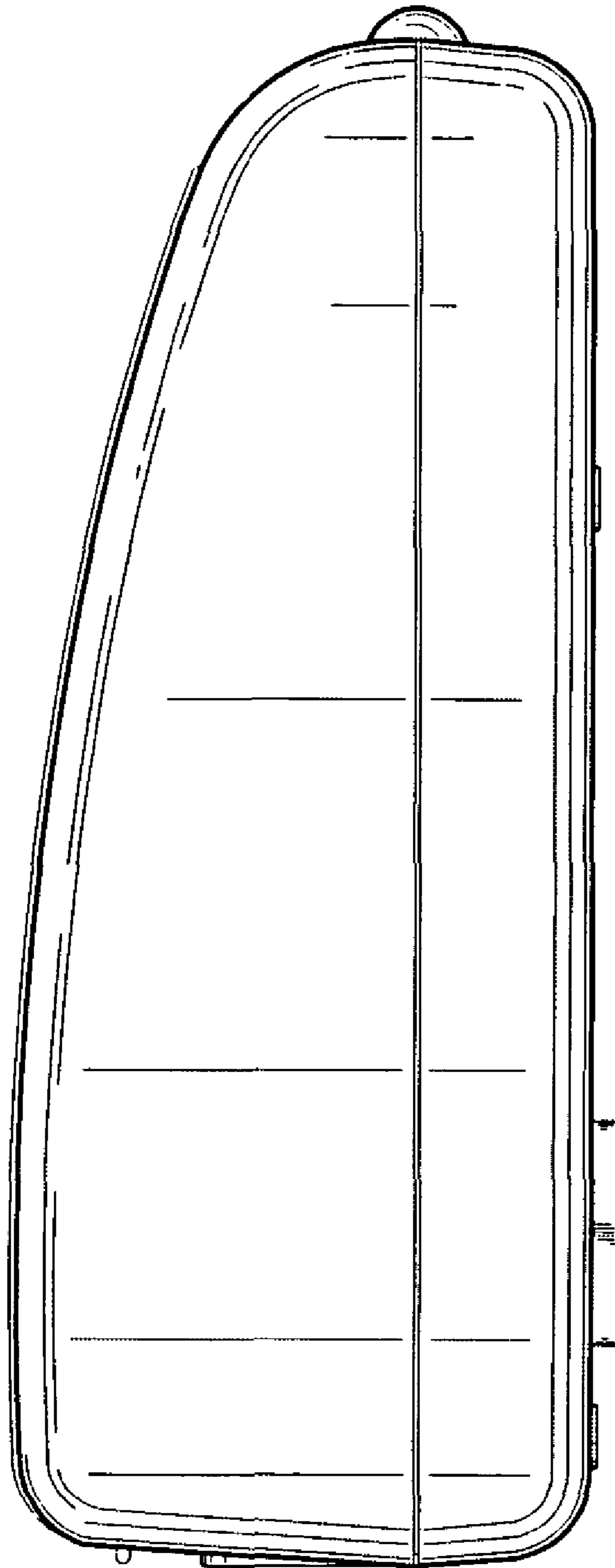


FIG. 4

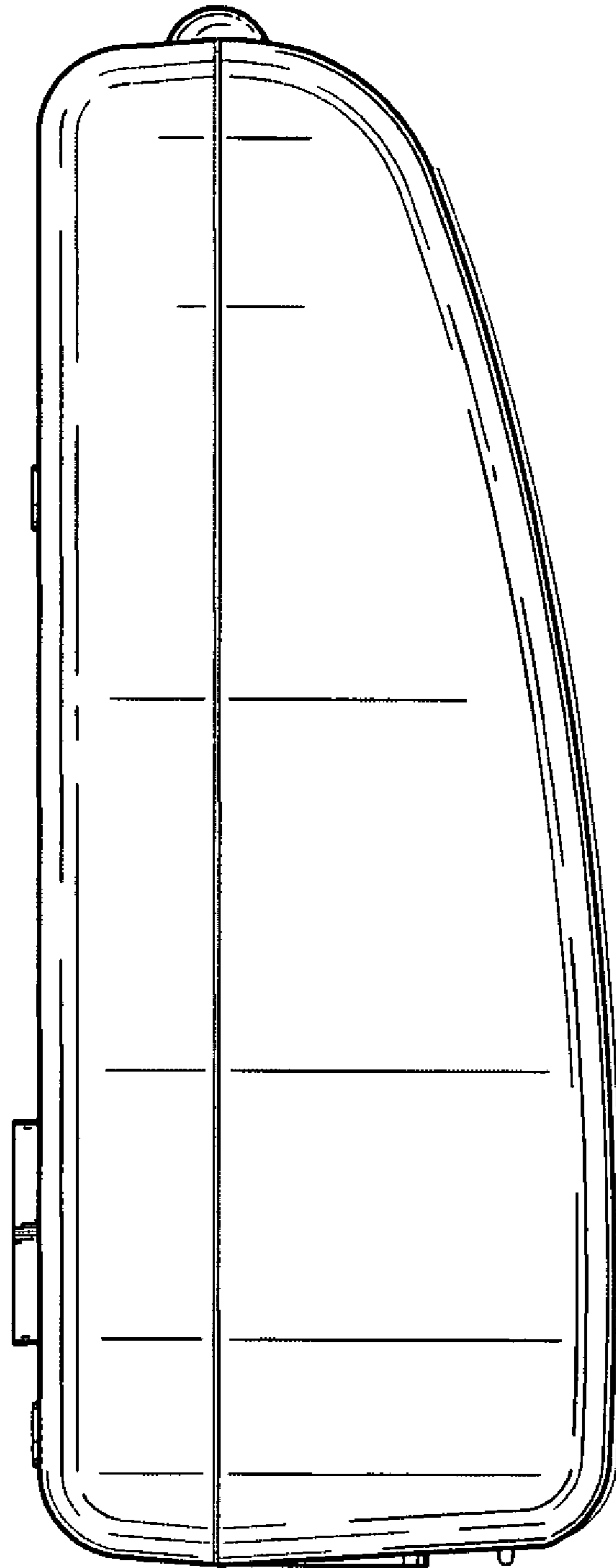


FIG. 5

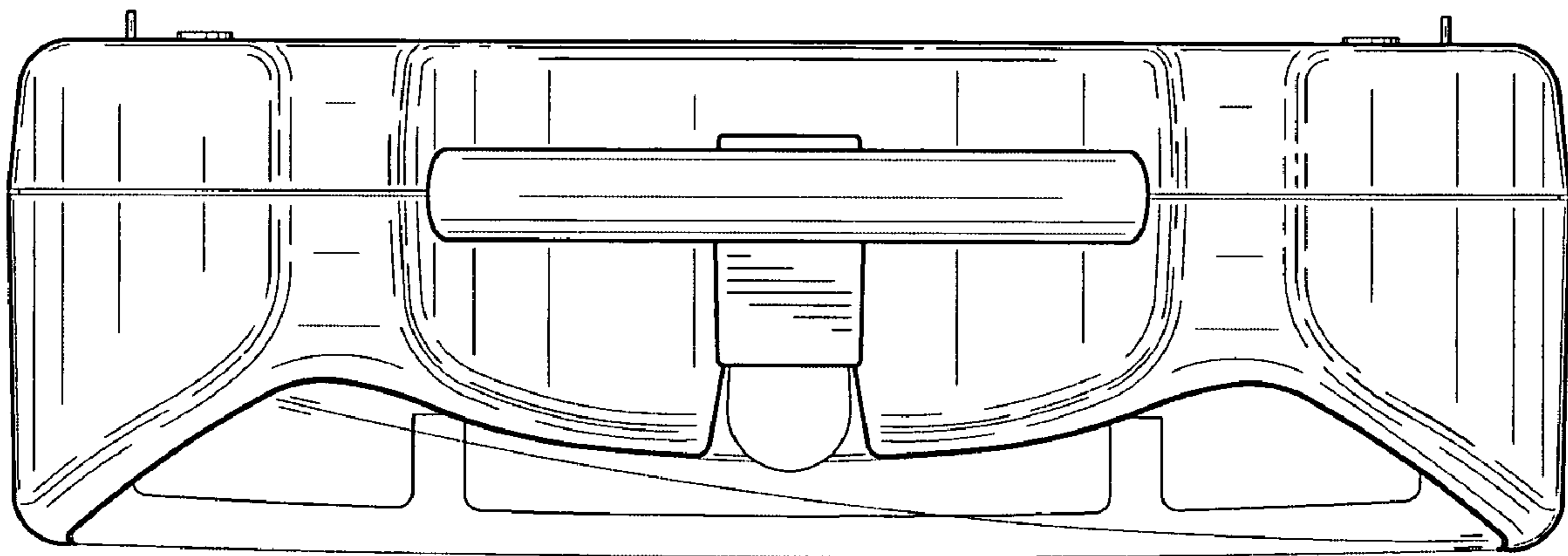


FIG. 6

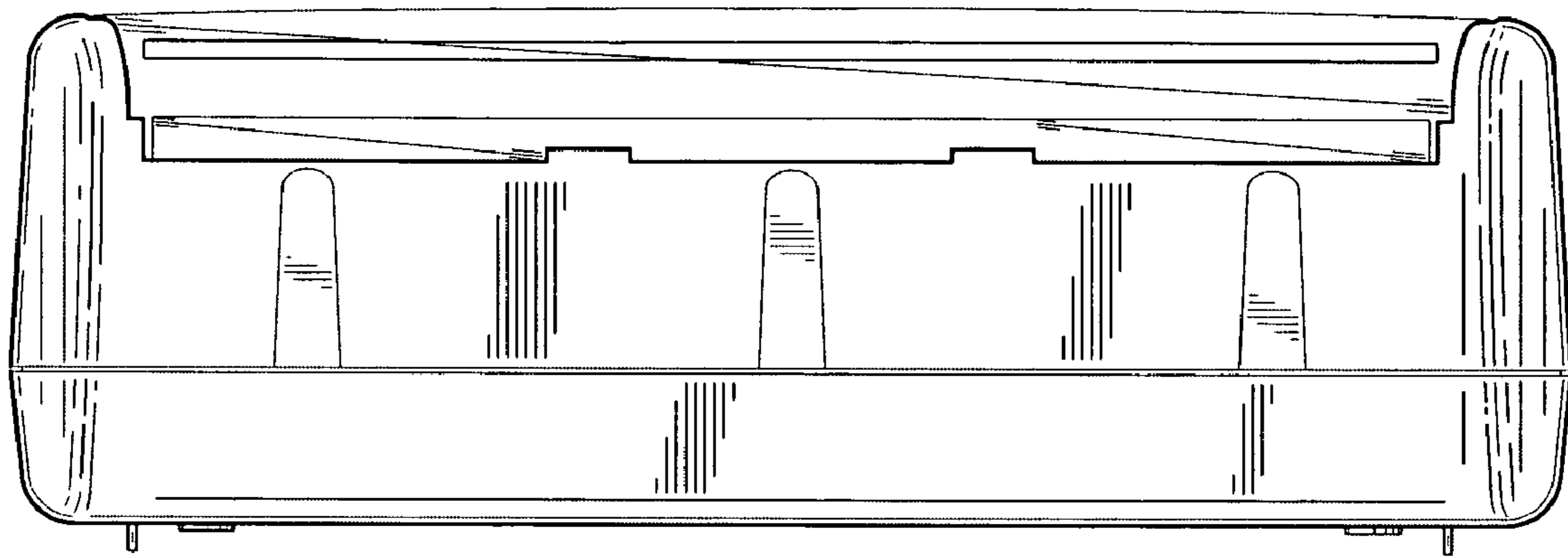


FIG. 7

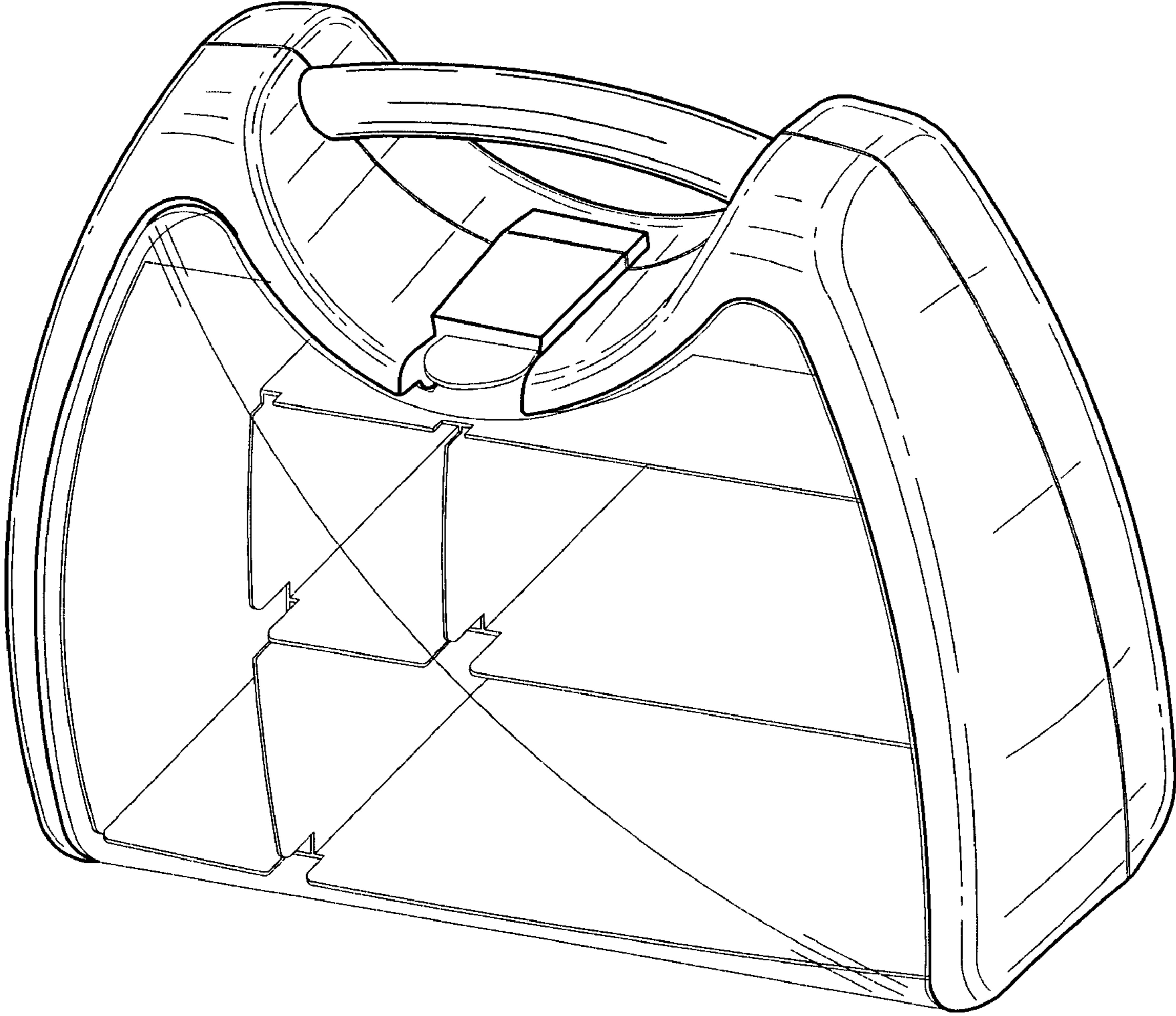


FIG. 8

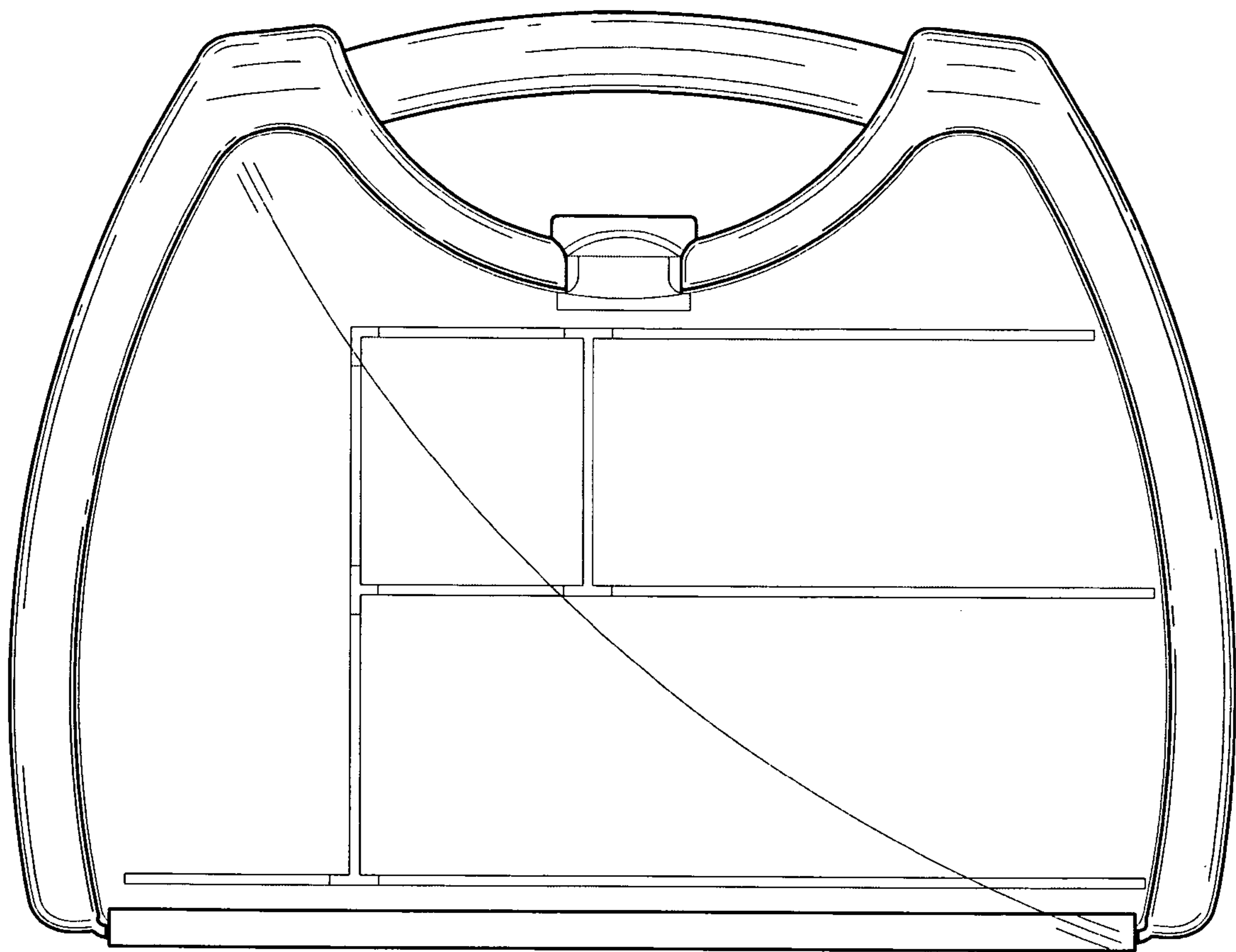


FIG. 9

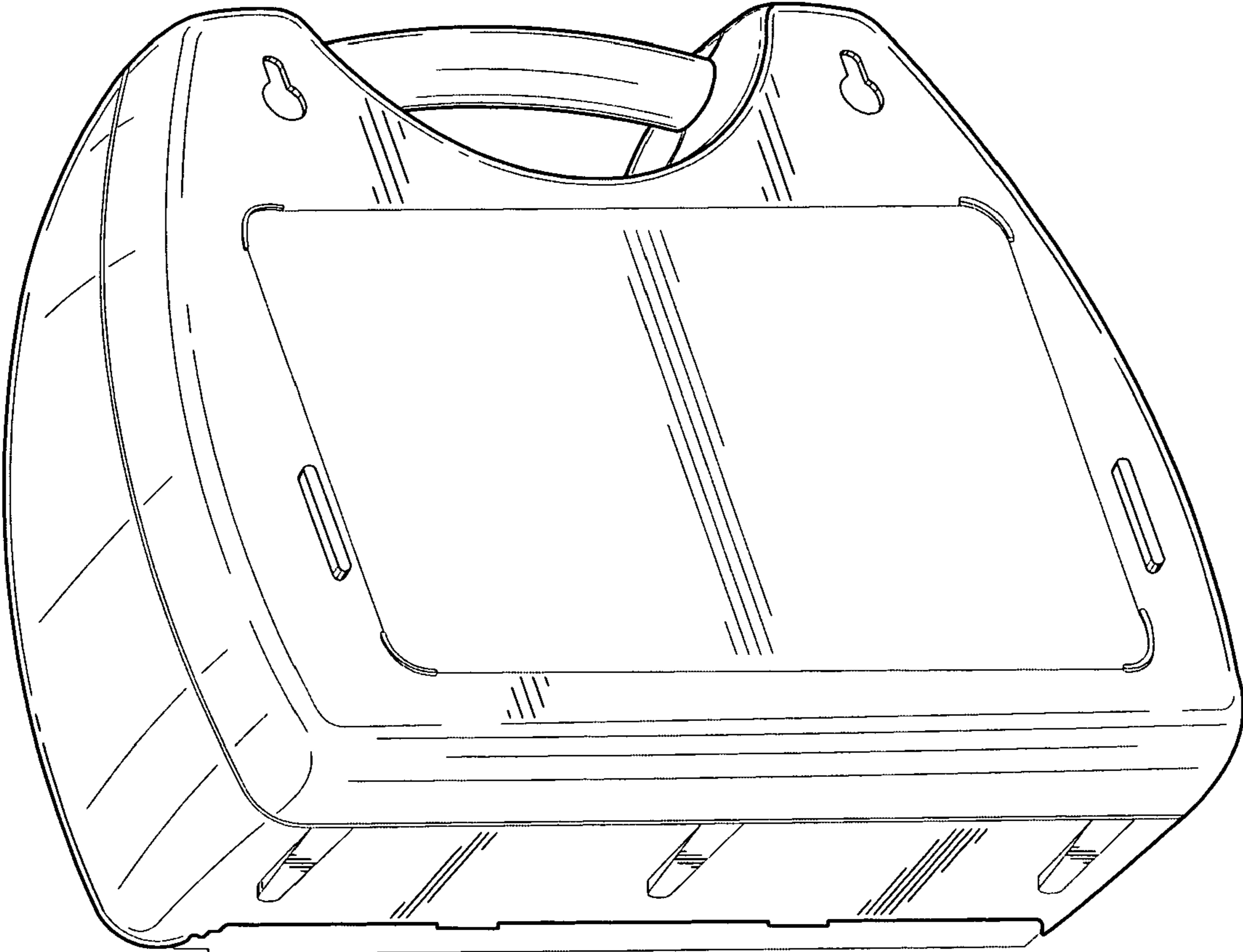


FIG. 10

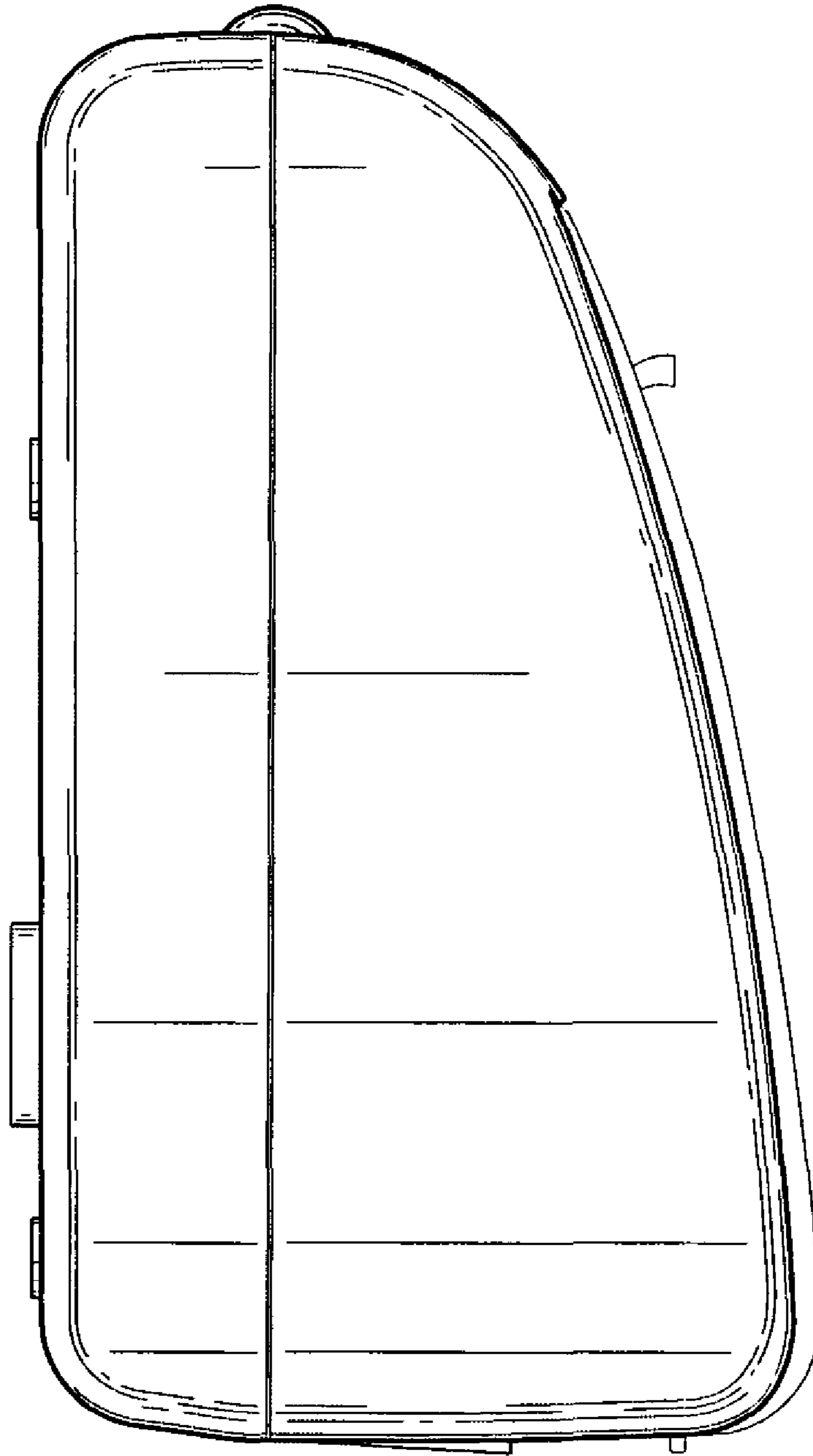


FIG. 11

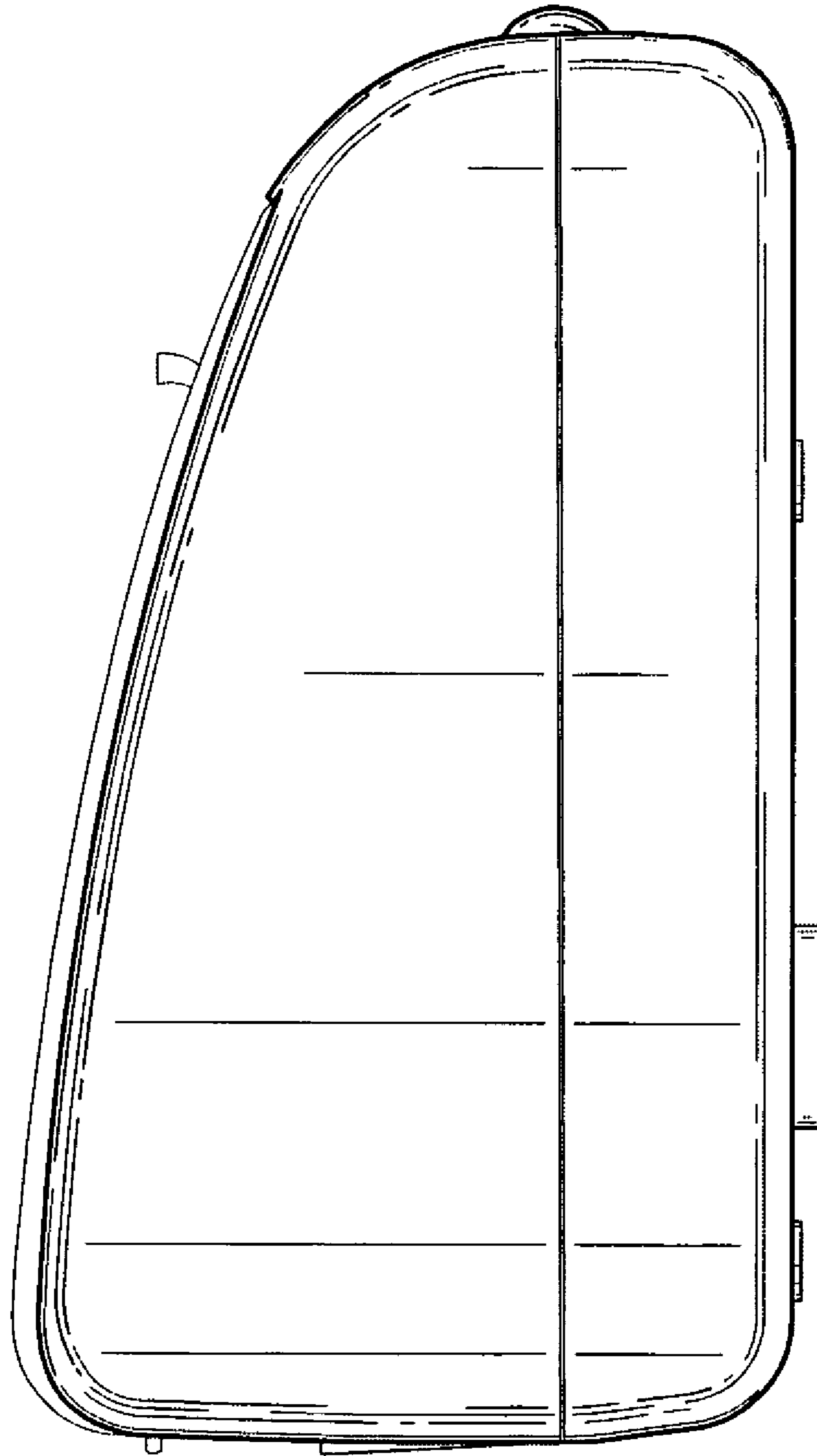


FIG. 12

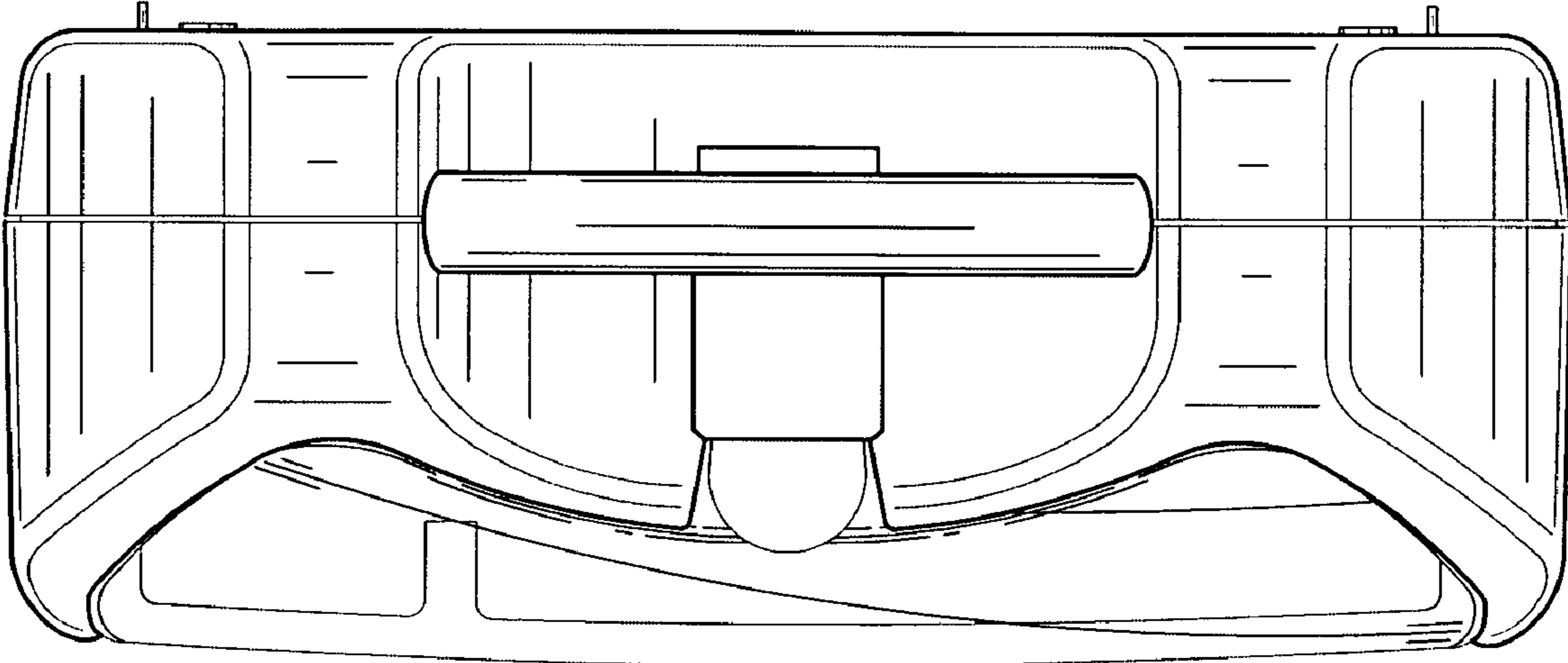


FIG. 13

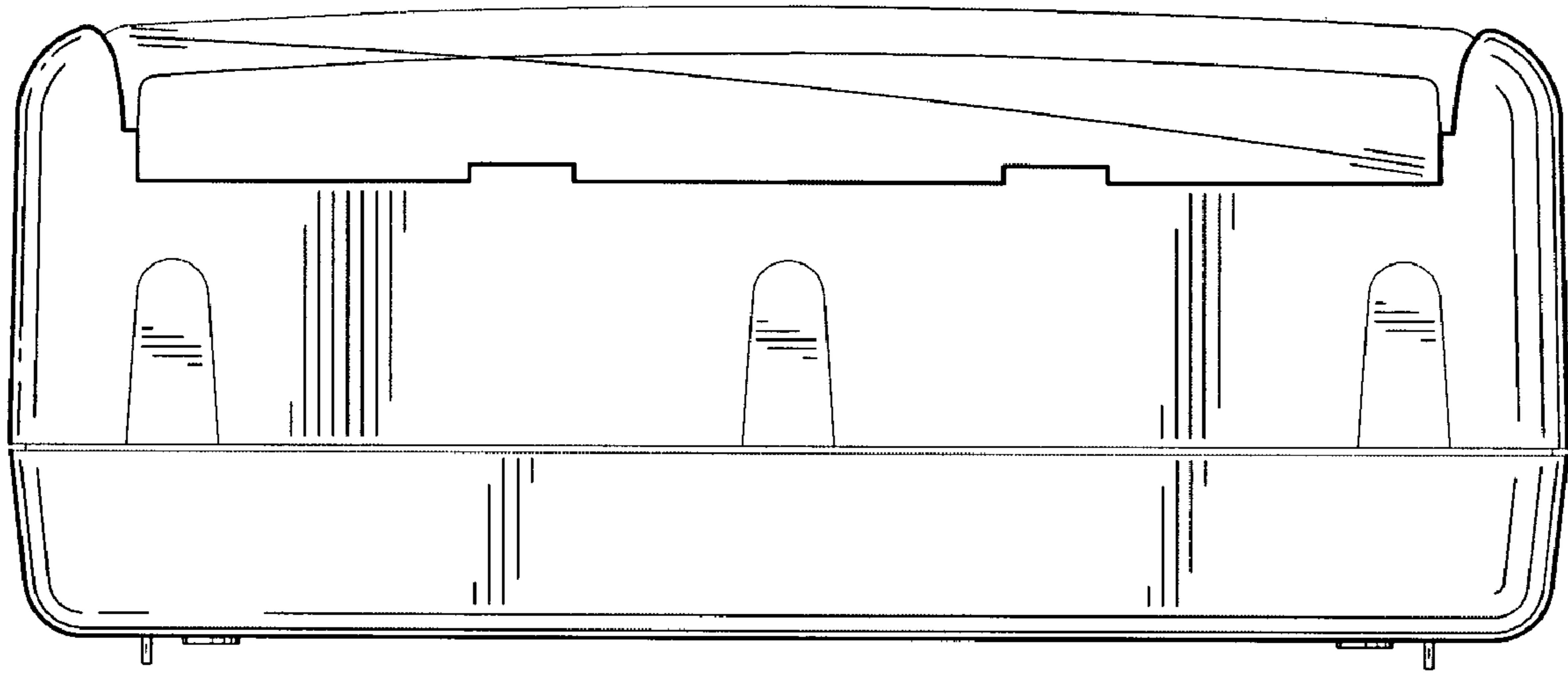


FIG. 14