



US00D619798S

(12) **United States Design Patent**  
**Leifeld et al.**

(10) **Patent No.:** **US D619,798 S**  
(45) **Date of Patent:** **\*\* Jul. 20, 2010**

(54) **PILL DISPENSER**

D524,167 S 7/2006 Wilson  
2004/0074917 A1 4/2004 McHutchinson

(75) Inventors: **Sabine Leifeld**, Berlin (DE); **Heike Ranze**, Berlin (DE); **Parviz Bazargani**, Hamburg (DE)

**OTHER PUBLICATIONS**

U.S. Appl. No. 29/339,009, Leifeld.  
Pill Box Products From ForgettingThePill.com, <http://www.forgettingthepill.com/cgi-bin/ForgettingThePill/order.cgi?orderone++Timers+1+383+1>.

(73) Assignee: **Bayer Schering Pharma AG**, Leverkusen (DE)

(\*\*) Term: **14 Years**

\* cited by examiner

(21) Appl. No.: **29/339,007**

*Primary Examiner*—Catherine R Oliver  
(74) *Attorney, Agent, or Firm*—Connolly Bove Lodge & Hutz LLP

(22) Filed: **Jun. 23, 2009**

(30) **Foreign Application Priority Data**

(57) **CLAIM**

Dec. 23, 2008 (EM) ..... 001062087-00001

The ornamental design for a pill dispenser, as shown and described.

(51) **LOC (9) Cl.** ..... **03-01**

(52) **U.S. Cl.** ..... **D3/203.2**

(58) **Field of Classification Search** ..... D3/201–205,  
D3/218; D14/138 R; 206/528–540  
See application file for complete search history.

**DESCRIPTION**

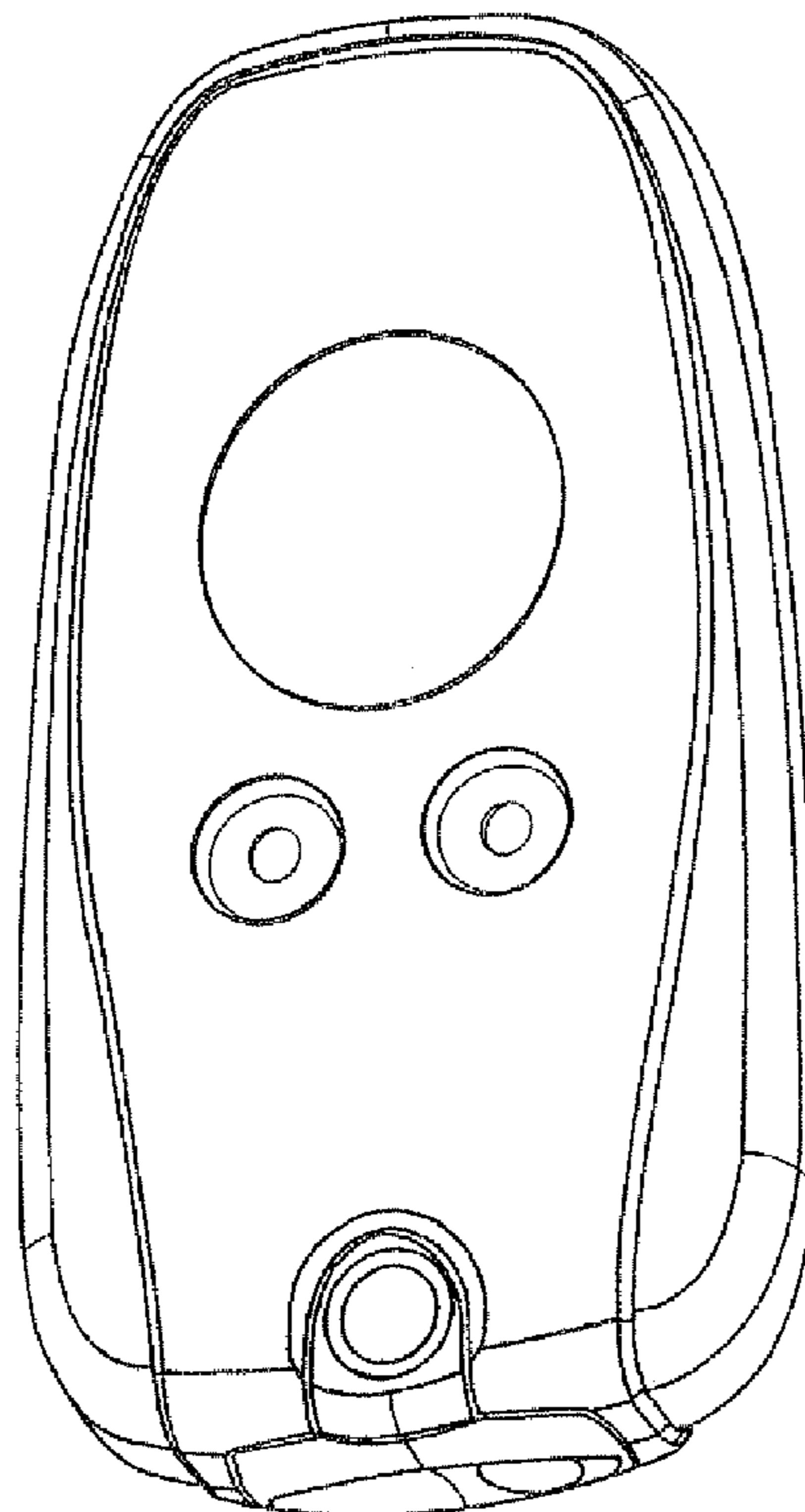
FIG. 1 is a front perspective view of a pill dispenser showing my new design;  
FIG. 2 is a front elevation view thereof;  
FIG. 3 is a bottom plan view thereof;  
FIG. 4 is a top plan view thereof;  
FIG. 5 is a left side elevation view thereof;  
FIG. 6 is a right side elevation view thereof; and,  
FIG. 7 is a rear elevation view.

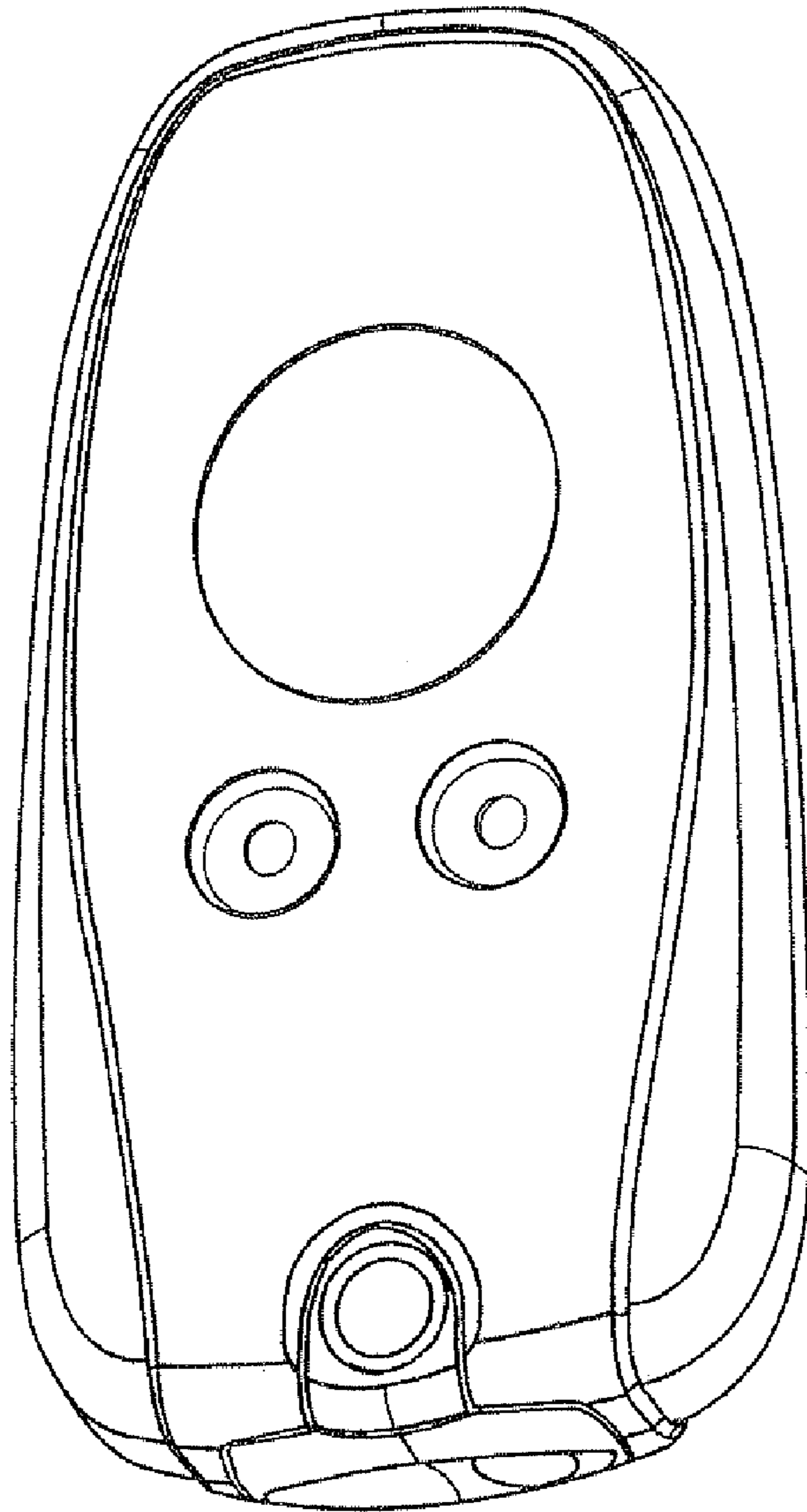
(56) **References Cited**

**U.S. PATENT DOCUMENTS**

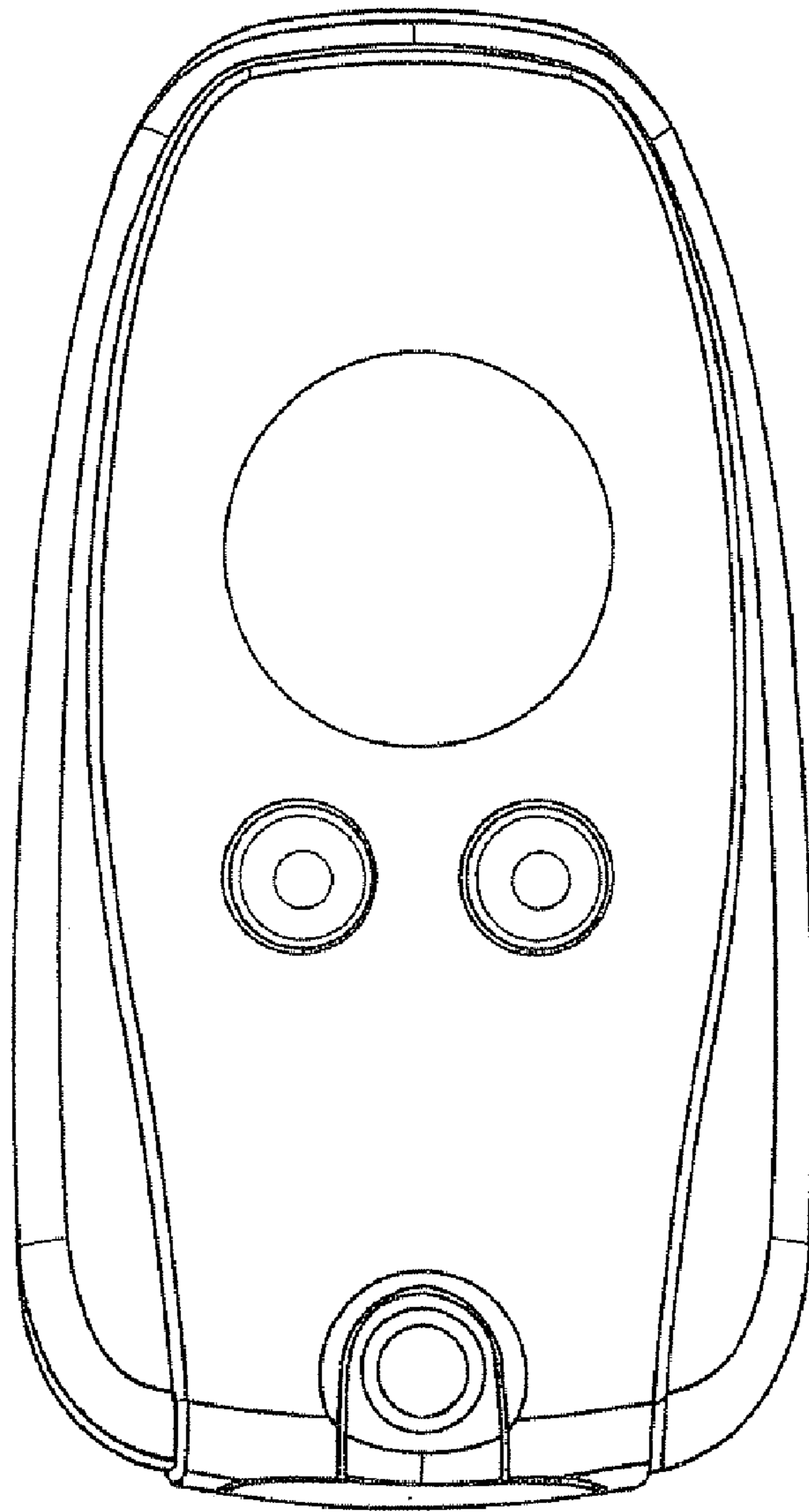
3,687,336 A 8/1972 Gayle  
D344,889 S 3/1994 Kozlowski et al.  
D490,787 S \* 6/2004 Aisenberg ..... D14/138 R  
D497,103 S \* 10/2004 Malloy et al. .... D3/203.2  
D497,803 S 11/2004 Nichols et al.  
D508,312 S \* 8/2005 Roche et al. .... D3/203.2

**1 Claim, 7 Drawing Sheets**

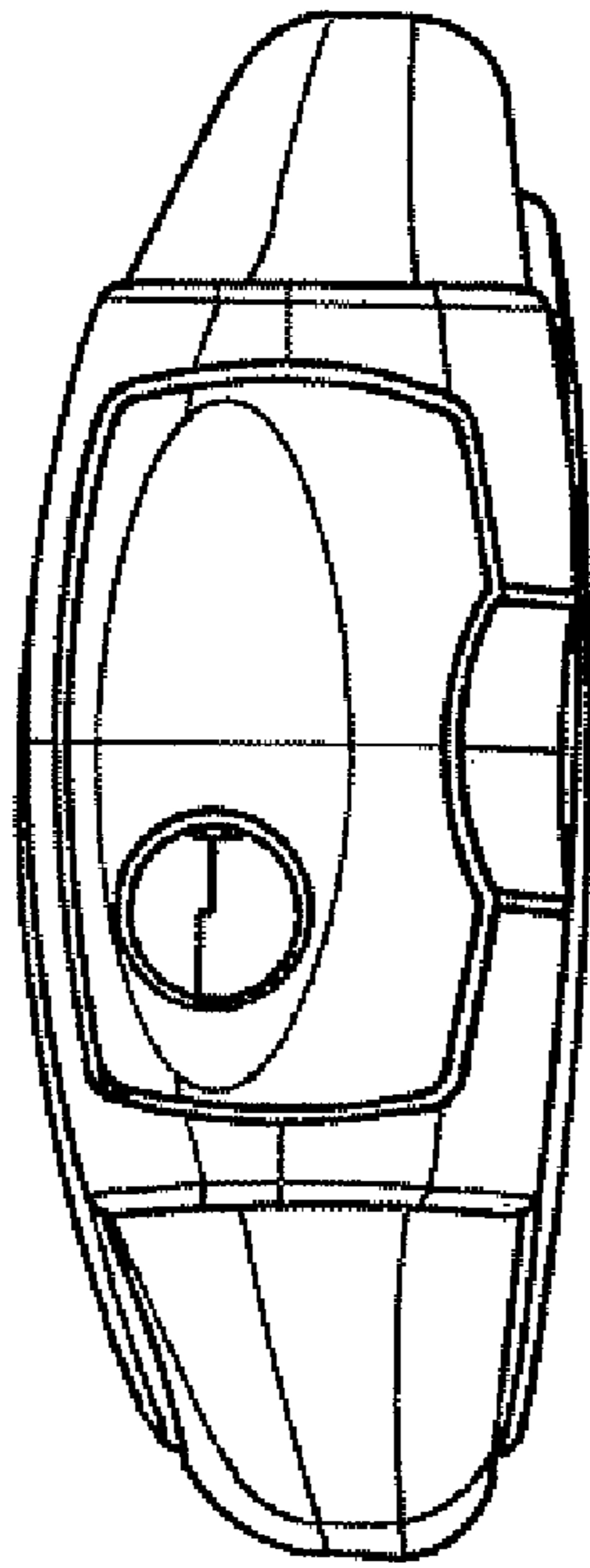




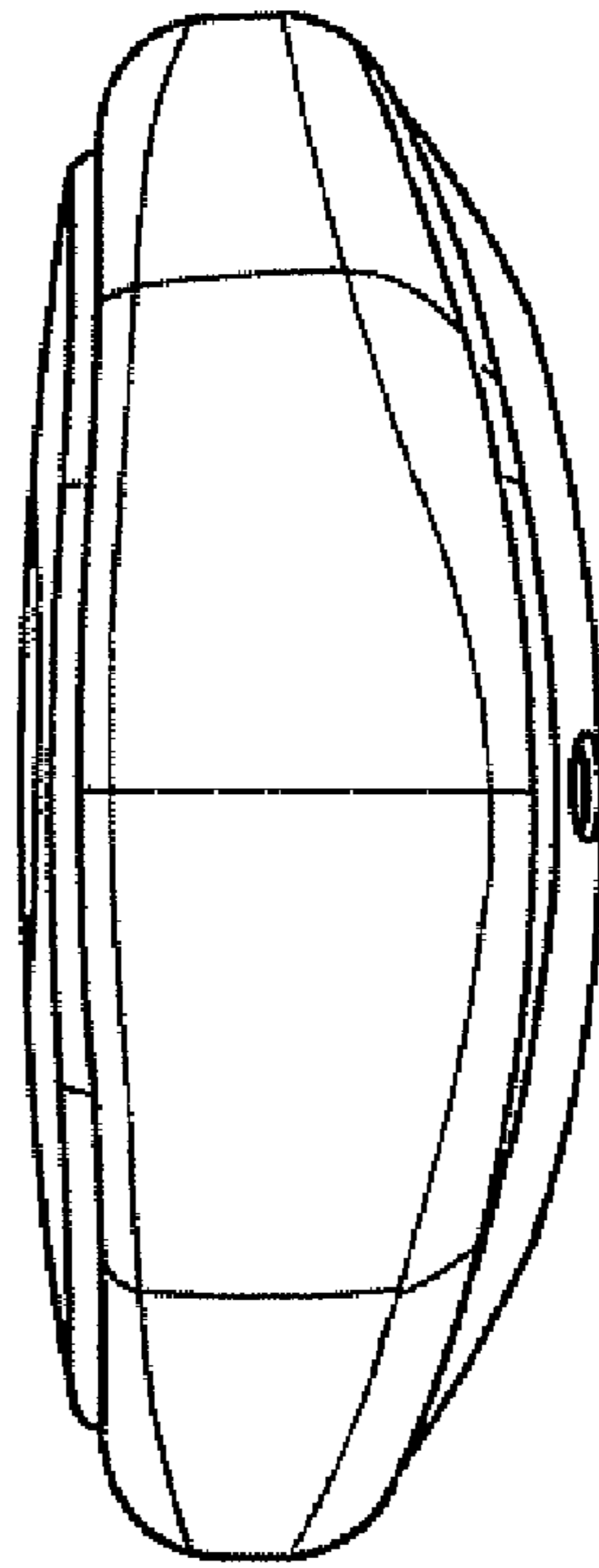
***Fig. 1***



***Fig. 2***



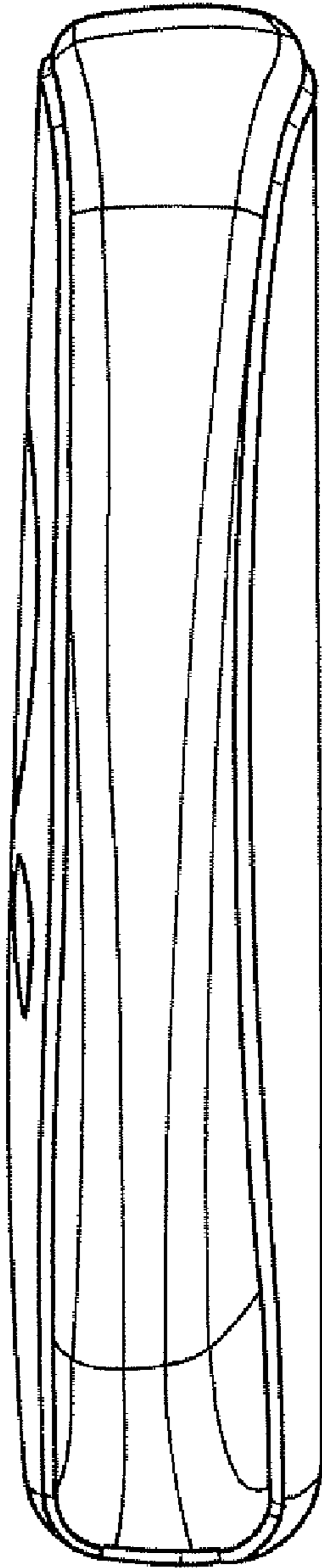
*Fig. 3*



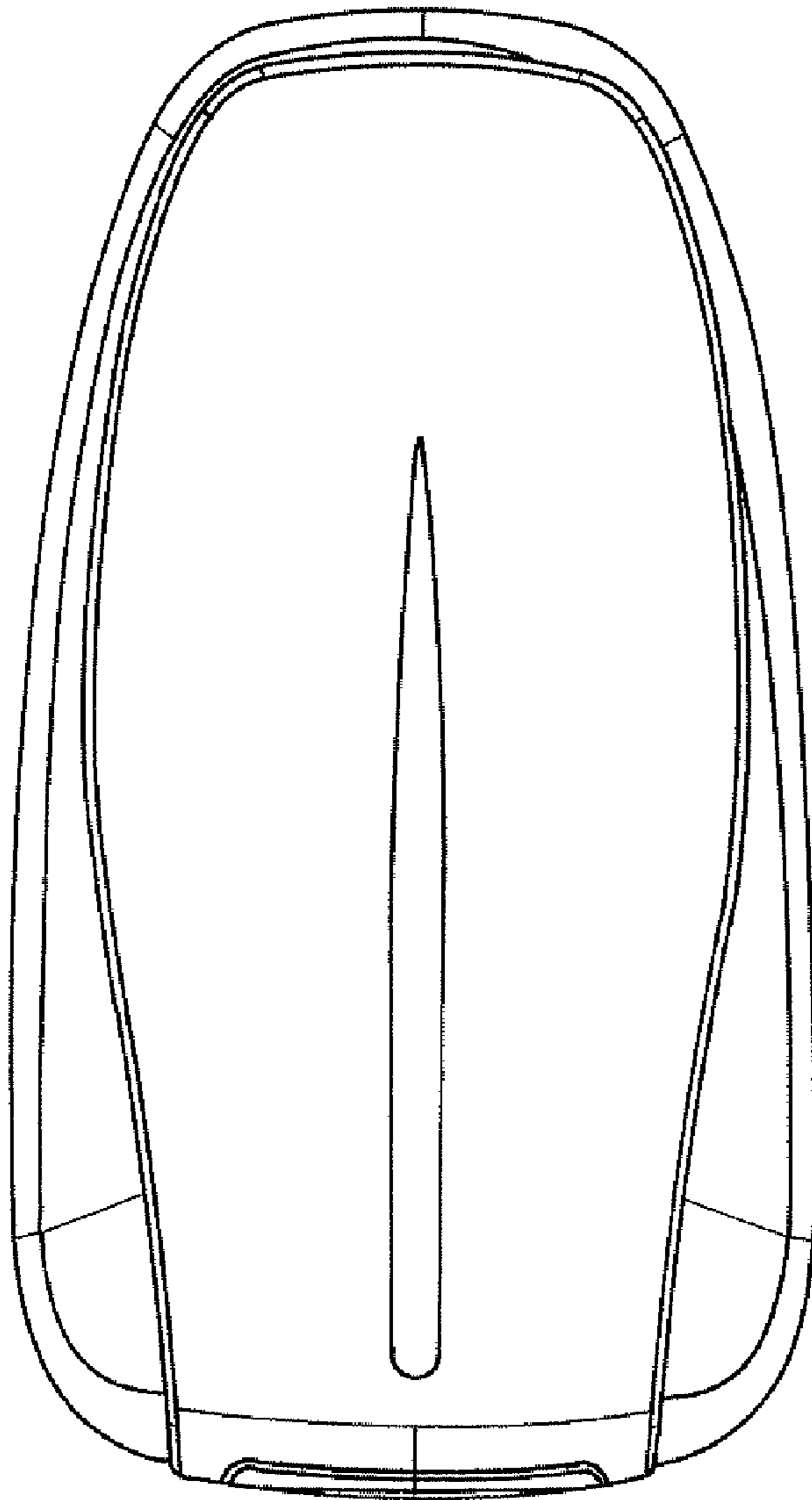
***Fig. 4***



***Fig. 5***



***Fig. 6***



*Fig. 7*