



US00D619795S

(12) **United States Design Patent**
McBride

(10) **Patent No.:** **US D619,795 S**
(45) **Date of Patent:** **** Jul. 20, 2010**

(54) **ACCESSORY STRIP**

4,374,187 A * 2/1983 Sano 429/175
4,503,628 A 3/1985 Mancinelli et al.

(75) Inventor: **Louise McBride**, Potts Point (AU)

(Continued)

(73) Assignee: **Shoo Sticks Pty Limited**, Potts Point,
NSW (AU)

FOREIGN PATENT DOCUMENTS

(**) Term: **14 Years**

DE 202005002250 U1 2/2005
FR 2682568 A1 10/1991

(21) Appl. No.: **29/277,952**

OTHER PUBLICATIONS

(22) Filed: **Mar. 14, 2007**

Examination Report for corresponding UK application No. GB0906383.5, Oct. 29, 2009 corresponding to related application 12/441,366.

(30) **Foreign Application Priority Data**

International Search Report from Corresponding PCT/AU2007/001079, Nov. 15, 2007 corresponding to related application 12/441,366.

Sep. 14, 2006 (AU) 14126/2006

Primary Examiner—Stella M Reid

(51) **LOC (9) Cl.** **02-04**

Assistant Examiner—Elizabeth J Oswecki

(52) **U.S. Cl.** **D2/961; D2/946**

(74) *Attorney, Agent, or Firm*—Knobbe, Martens, Olson & Bear, LLP

(58) **Field of Classification Search** D2/896,
D2/943, 946, 947, 948, 949, 950, 954, 956,
D2/961, 968, 976, 977, 978; 36/113, 114,
36/115, 136, 137, 138, 7.1 A, 73; D24/135,
D24/136, 155, 189, 190; D28/42, 56, 57,
D28/59; 602/41, 42, 52, 54, 57, 58, 79, 903;
128/200.24; 294/5.5

See application file for complete search history.

(57) **CLAIM**

The ornamental design for an accessory strip, as shown and described.

(56) **References Cited**

DESCRIPTION

U.S. PATENT DOCUMENTS

FIG. 1 is a front perspective view of an accessory strip showing my new design;

- 1,530,583 A * 3/1925 Trimbur 36/1
- 1,867,945 A * 7/1932 Hunter 294/5.5
- 1,980,588 A * 11/1934 Hopp 426/134
- 2,425,945 A * 8/1947 Leach 600/240
- 2,461,977 A * 2/1949 Gilmour 36/1
- 2,723,661 A * 11/1955 Hull 600/240
- 3,187,446 A * 6/1965 Boldemann 36/70 R
- 3,426,751 A * 2/1969 Radewan 606/204.45
- 3,464,413 A * 9/1969 Goldfarb et al. 604/306
- 3,527,208 A * 9/1970 Hoegerman 601/136
- 3,852,823 A 12/1974 Jones
- 3,867,927 A * 2/1975 Hergott 600/202
- 3,947,896 A 4/1976 Taylor

FIG. 2 is a front perspective view of the accessory strip of FIG. 1 with the strip partially peeled off;

FIG. 3 is a top view of an accessory strip shown in FIG. 1;

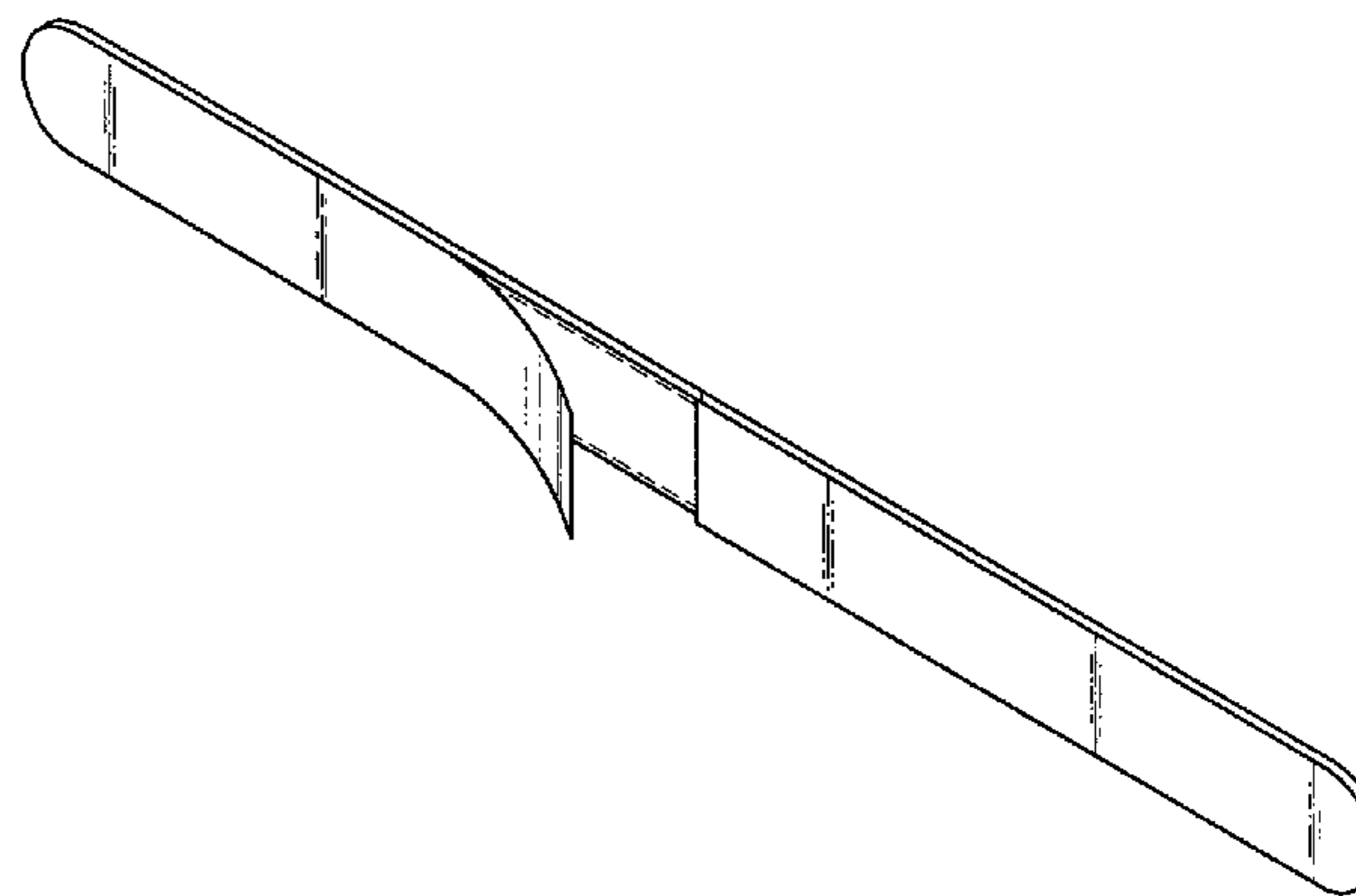
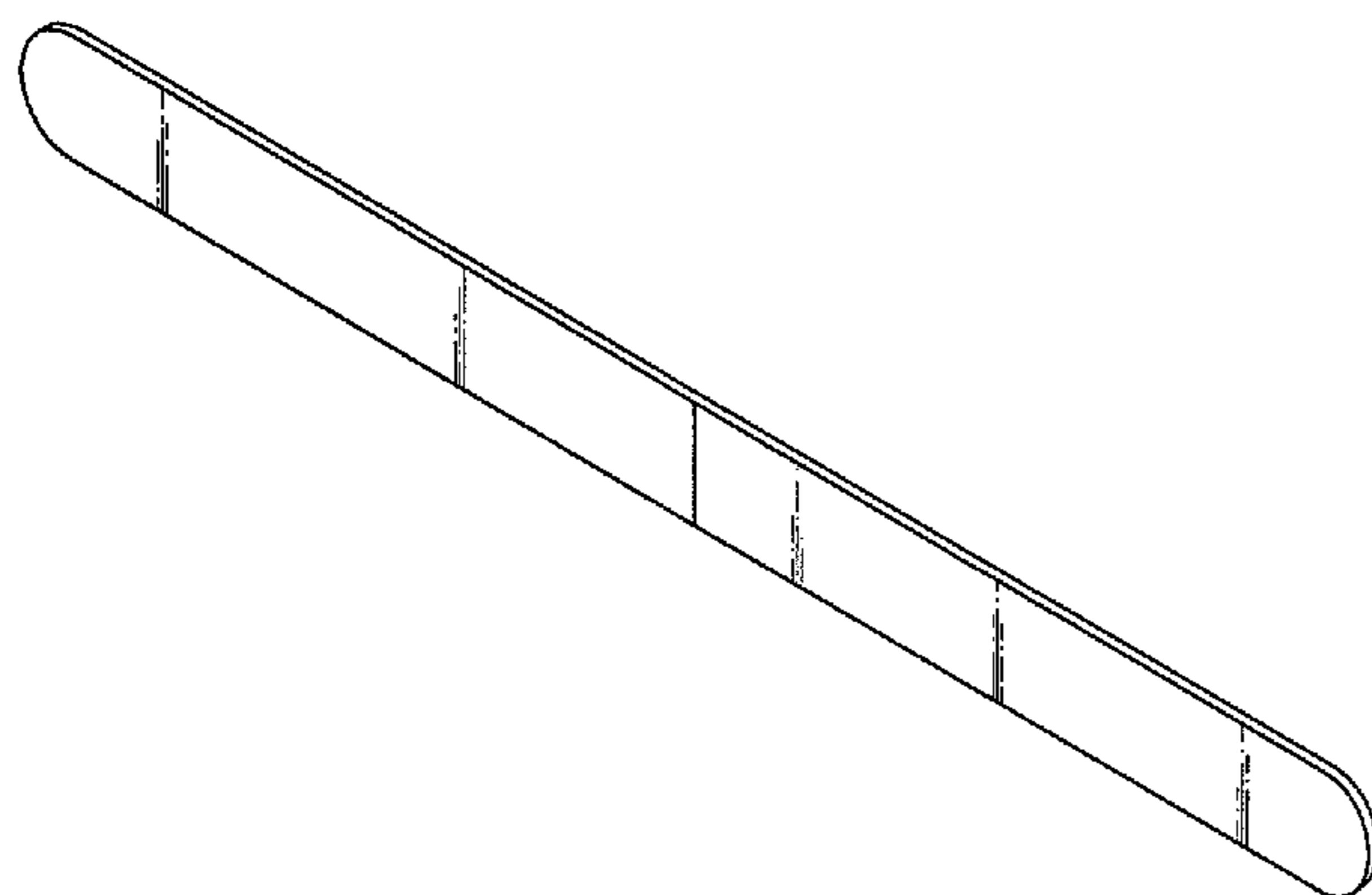
FIG. 4 is a side view of an accessory strip shown in FIG. 1;

FIG. 5 is an end view of an accessory strip shown in FIG. 1; and,

FIG. 6 is another end view of an accessory strip shown in FIG. 1.

All sides not shown in the drawings form no part of the claimed design.

1 Claim, 2 Drawing Sheets



US D619,795 S

Page 2

U.S. PATENT DOCUMENTS

D301,656	S *	6/1989	Diaz	D2/957	6,284,941	B1 *	9/2001	Cox et al.	602/48
5,170,001	A *	12/1992	Amendola	84/422.4	6,297,420	B1 *	10/2001	Heincke	602/41
D338,740	S *	8/1993	Nguyen	D28/59	D453,872	S *	2/2002	White	D2/960
5,403,051	A *	4/1995	Watkins	294/5.5	D471,672	S *	3/2003	Turina	D28/59
5,447,348	A *	9/1995	Lapierre	294/1.1	D478,188	S *	8/2003	Turina	D28/59
5,533,962	A *	7/1996	Peterman et al.	602/54	6,769,428	B2 *	8/2004	Cronk et al.	128/200.24
5,634,885	A *	6/1997	Kiro	600/240	7,165,344	B2 *	1/2007	Blackwell	36/134
5,842,292	A	12/1998	Siesel		D547,532	S *	7/2007	White et al.	D2/946
5,897,492	A *	4/1999	Feller et al.	600/240	D554,832	S *	11/2007	Wawer et al.	D2/914
5,935,595	A *	8/1999	Steen	424/443	D563,049	S *	2/2008	Huang	D28/59
D418,632	S *	1/2000	Fauerbach et al.	D28/59	2002/0058893	A1 *	5/2002	Vesey	602/58
D420,171	S *	2/2000	Fauerbach et al.	D28/59	2002/0087106	A1 *	7/2002	Unger et al.	602/48
D430,354	S *	8/2000	La Joie et al.	D28/59	2008/0269661	A1 *	10/2008	Hurwitz et al.	602/57
6,101,655	A	8/2000	Buddle		2009/0205640	A1 *	8/2009	Kehiaian	128/200.24
6,257,702	B1 *	7/2001	Blunden Kenyon	347/49	2009/0209896	A1 *	8/2009	Selevan	602/41

* cited by examiner

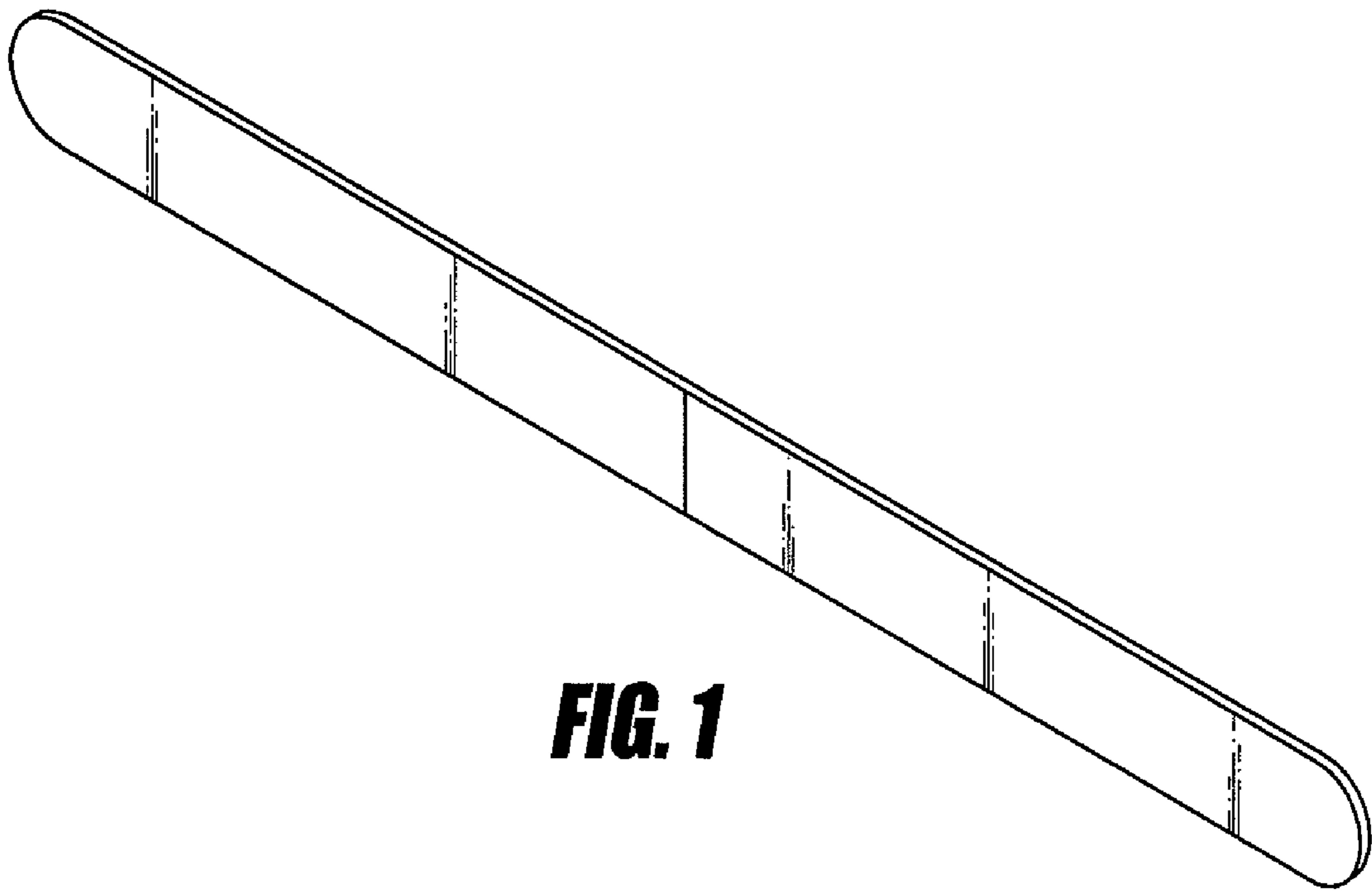


FIG. 1

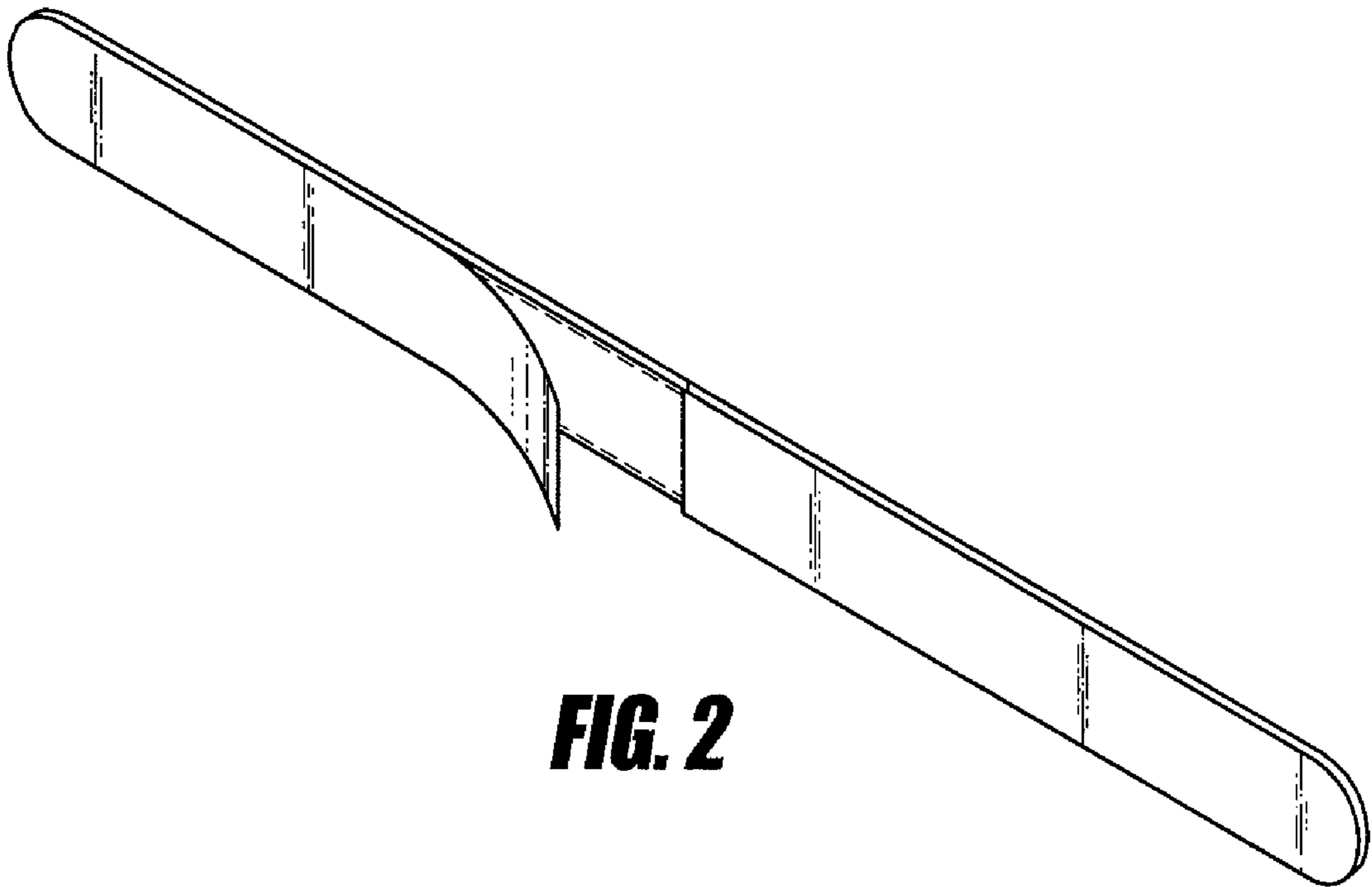


FIG. 2



FIG. 3

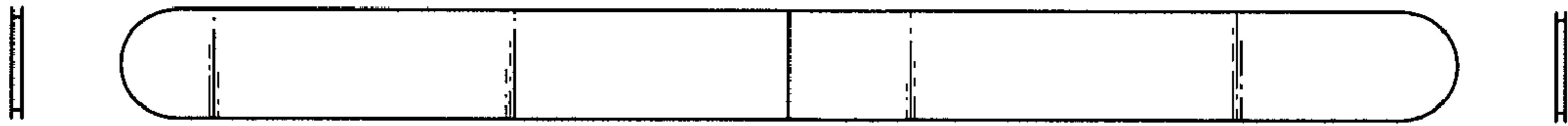


FIG. 5

FIG. 4

FIG. 6