



US00D619788S

(12) **United States Design Patent**
Lacy

(10) **Patent No.:** **US D619,788 S**
(45) **Date of Patent:** **** Jul. 20, 2010**

(54) **SUN HAT**

(76) **Inventor:** **Robbin J Lacy**, 716 S. Pacific Hwy.,
Talent, OR (US) 97540

(**) **Term:** **14 Years**

(21) **Appl. No.:** **29/353,945**

(22) **Filed:** **Jan. 15, 2010**

(51) **LOC (9) Cl.** **02-03**

(52) **U.S. Cl.** **D2/879**

(58) **Field of Classification Search** D2/865,
D2/866, 870, 871, 872, 873, 874, 875, 876,
D2/877, 878, 879, 880, 881, 882, 886, 888,
D2/891, 892, 893, 894, 895; 2/171, 171.2,
2/171.5, 172, 183, 184.5, 204, 209.11, 209.12,
2/209.13, 209.4, 175.1, 175.2, 175.3, 175.7,
2/195.1, 195.2, 195.7, 200.1

See application file for complete search history.

(56) **References Cited**

U.S. PATENT DOCUMENTS

812,659	A *	2/1906	Lorsch	2/172
D121,457	S *	7/1940	Nu Dell	D2/876
D142,162	S *	8/1945	Dannenberg	D2/865
2,447,850	A *	8/1948	Feldman	2/195.2
D160,404	S *	10/1950	Levine	D2/866
3,855,634	A *	12/1974	Gregg	2/172
4,023,212	A *	5/1977	Huffman	2/195.2
4,549,316	A *	10/1985	Johnson	2/195.1
D289,700	S *	5/1987	Burns	D2/884
4,704,744	A *	11/1987	Myers	2/174
D349,183	S *	8/1994	Harbison	D2/870
5,493,734	A *	2/1996	Nieves-Rivera	2/209.13
5,652,959	A *	8/1997	Proctor	2/67
5,664,261	A *	9/1997	Lacy	2/172

D402,088	S *	12/1998	Edwards	D2/866
5,860,165	A	1/1999	Cvijanovich		
D413,710	S *	9/1999	De Rugeriis	D2/894
D416,665	S *	11/1999	Jones	D2/874
D420,493	S *	2/2000	Blake	D2/866
6,023,788	A *	2/2000	McCallum et al.	2/209.13
6,357,051	B1 *	3/2002	Lee	2/195.1
D494,341	S *	8/2004	Park	D2/876
D519,717	S *	5/2006	Kim	D2/893
7,152,251	B2 *	12/2006	Yan	2/195.6
D594,185	S	6/2009	Lacy		
D599,532	S *	9/2009	Sheng	D2/866
2007/0204384	A1 *	9/2007	Carey	2/207
2010/0031425	A1 *	2/2010	Klamerus, Jr.	2/209.13

* cited by examiner

Primary Examiner—Elizabeth A Albert

Assistant Examiner—Karen E Eldridge Powers

(74) *Attorney, Agent, or Firm*—Gerald D. Haynes

(57) **CLAIM**

The ornamental design for a sun hat, as shown and described.

DESCRIPTION

FIG. 1 is a front perspective view of a sun hat showing my new design;

FIG. 2 is a front view thereof;

FIG. 3 is a back view thereof;

FIG. 4 is a left side view thereof;

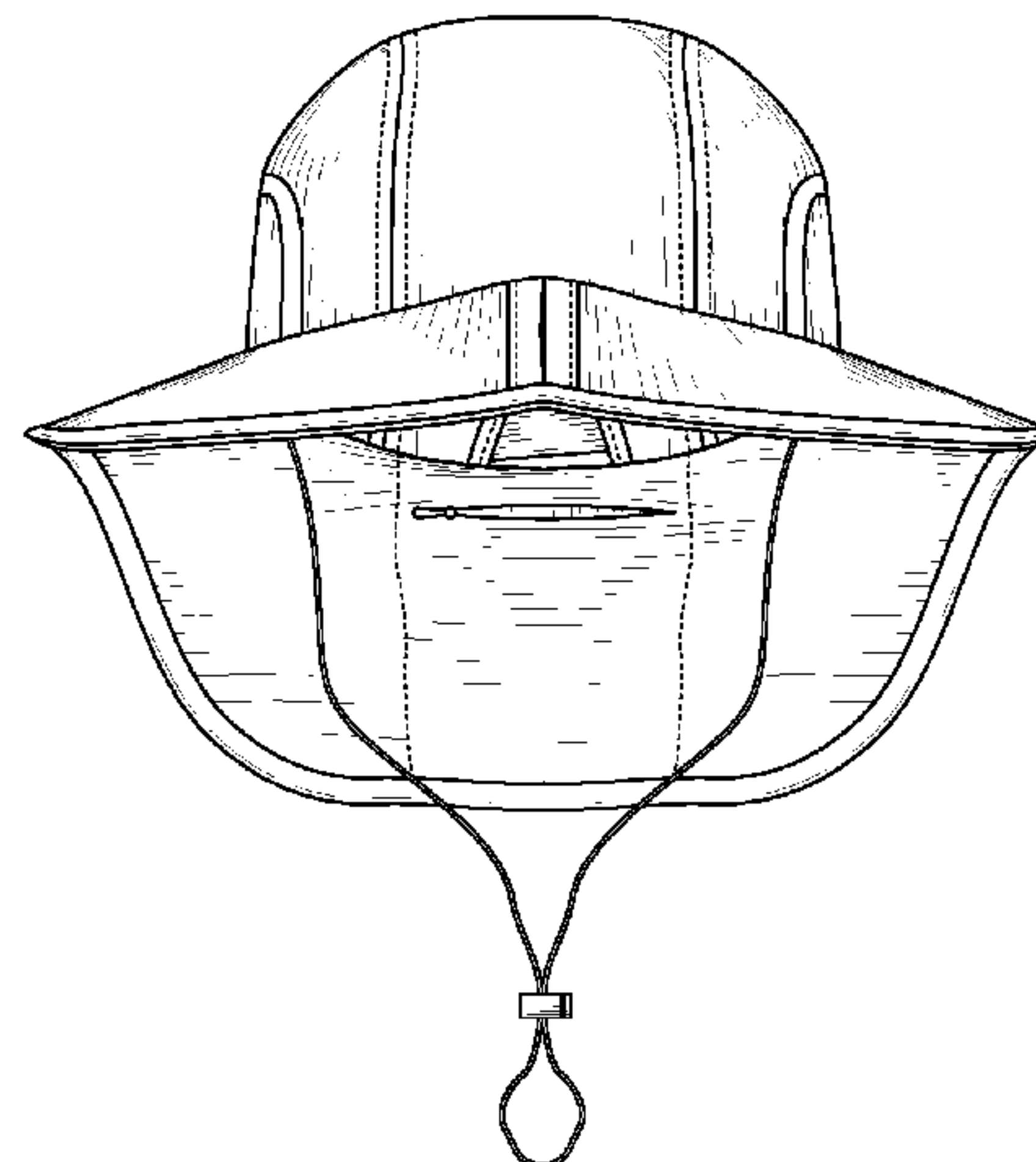
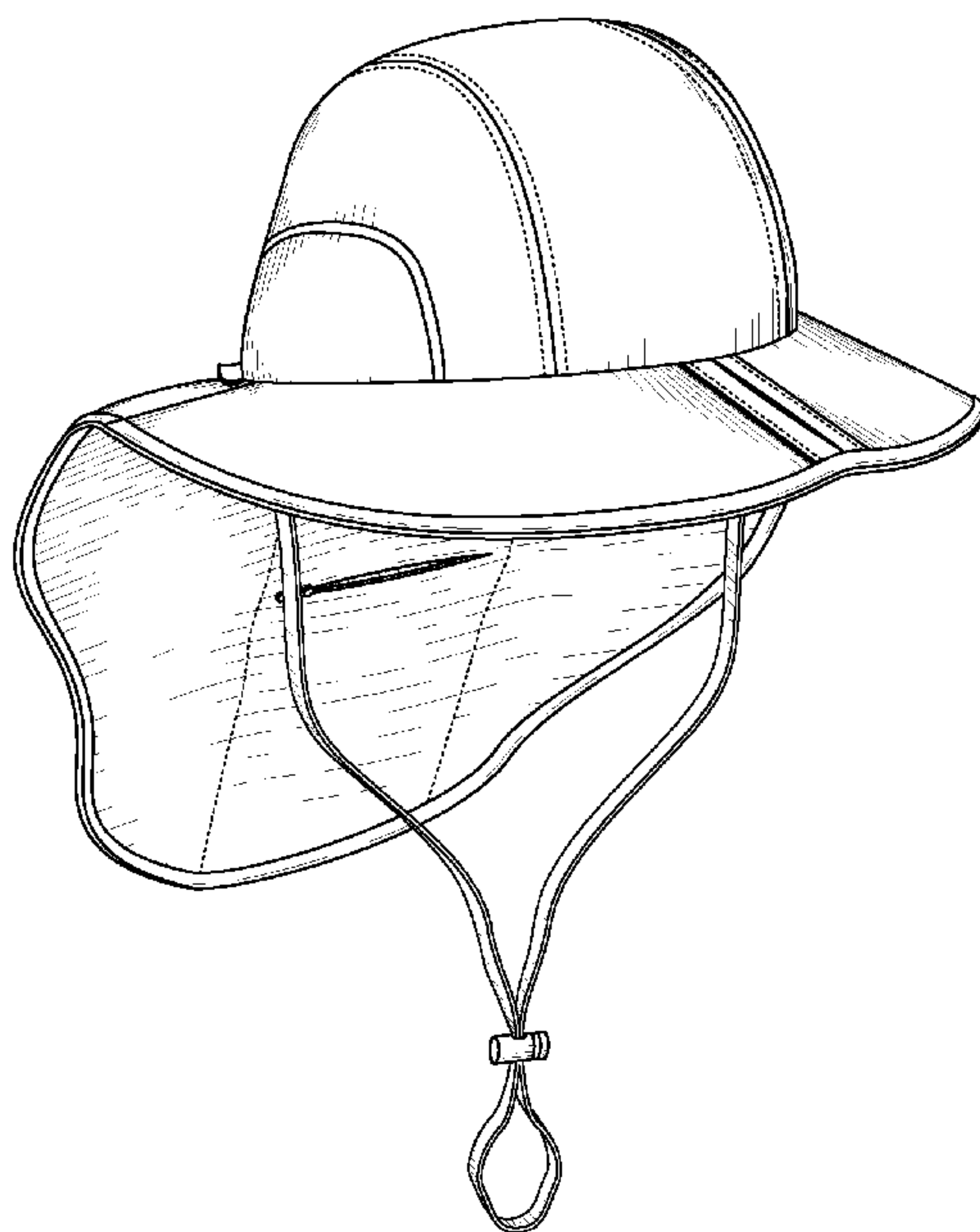
FIG. 5 is a right side thereof;

FIG. 6 is a top view; and,

FIG. 7 is a bottom view thereof.

The broken lines shown in the drawings illustrate stitching and form a part of the claimed design.

1 Claim, 4 Drawing Sheets



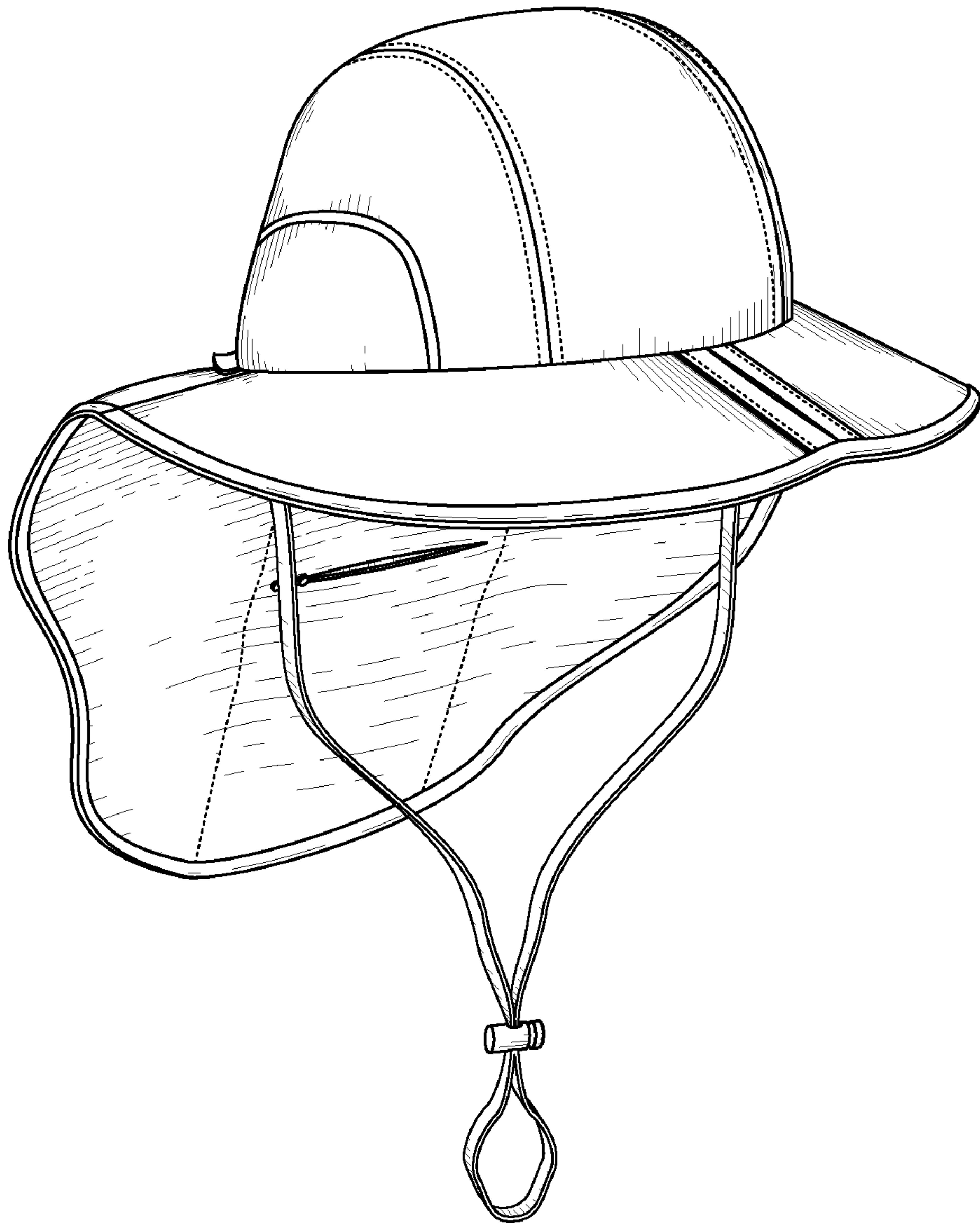


FIG. 1

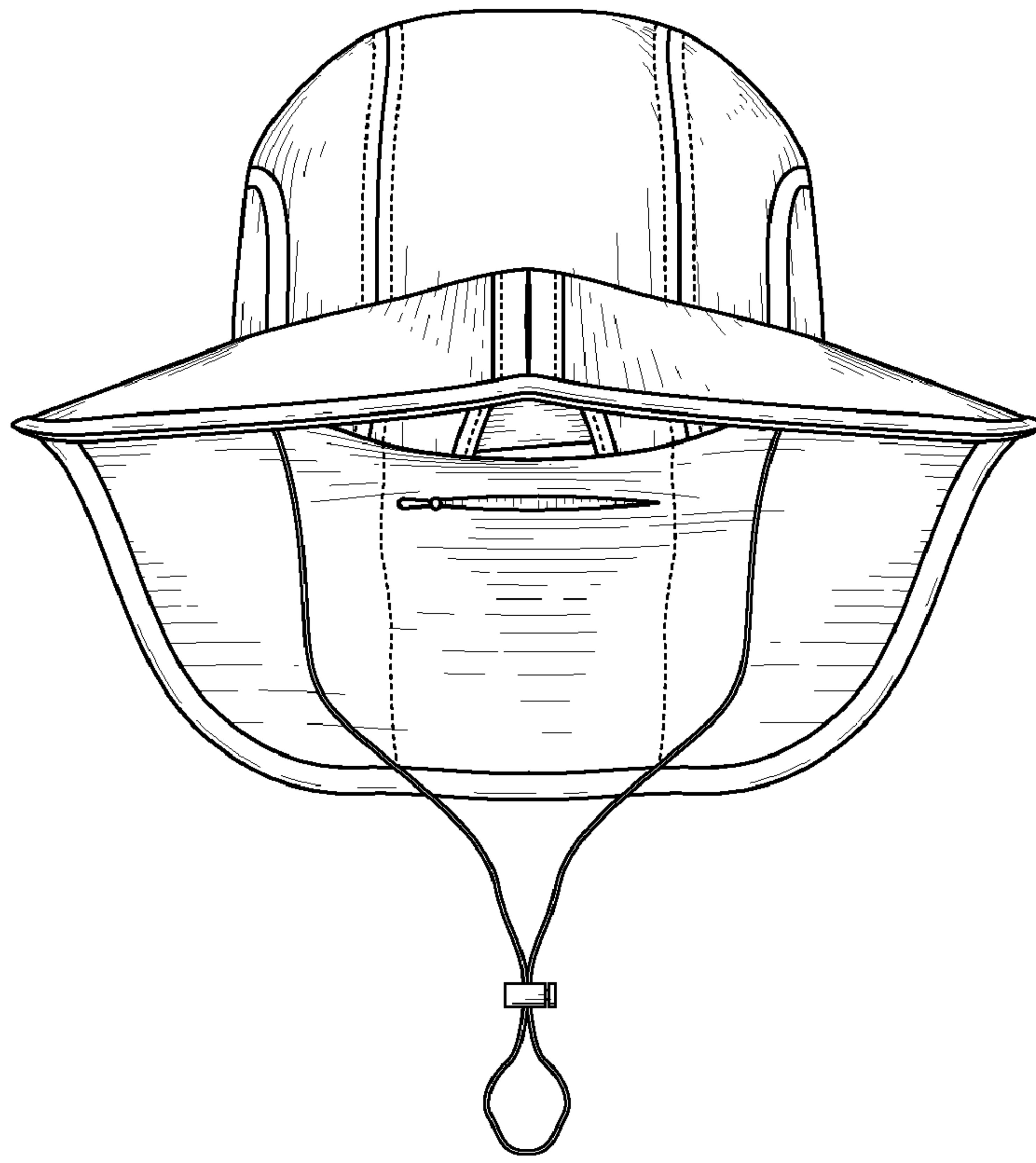


FIG. 2

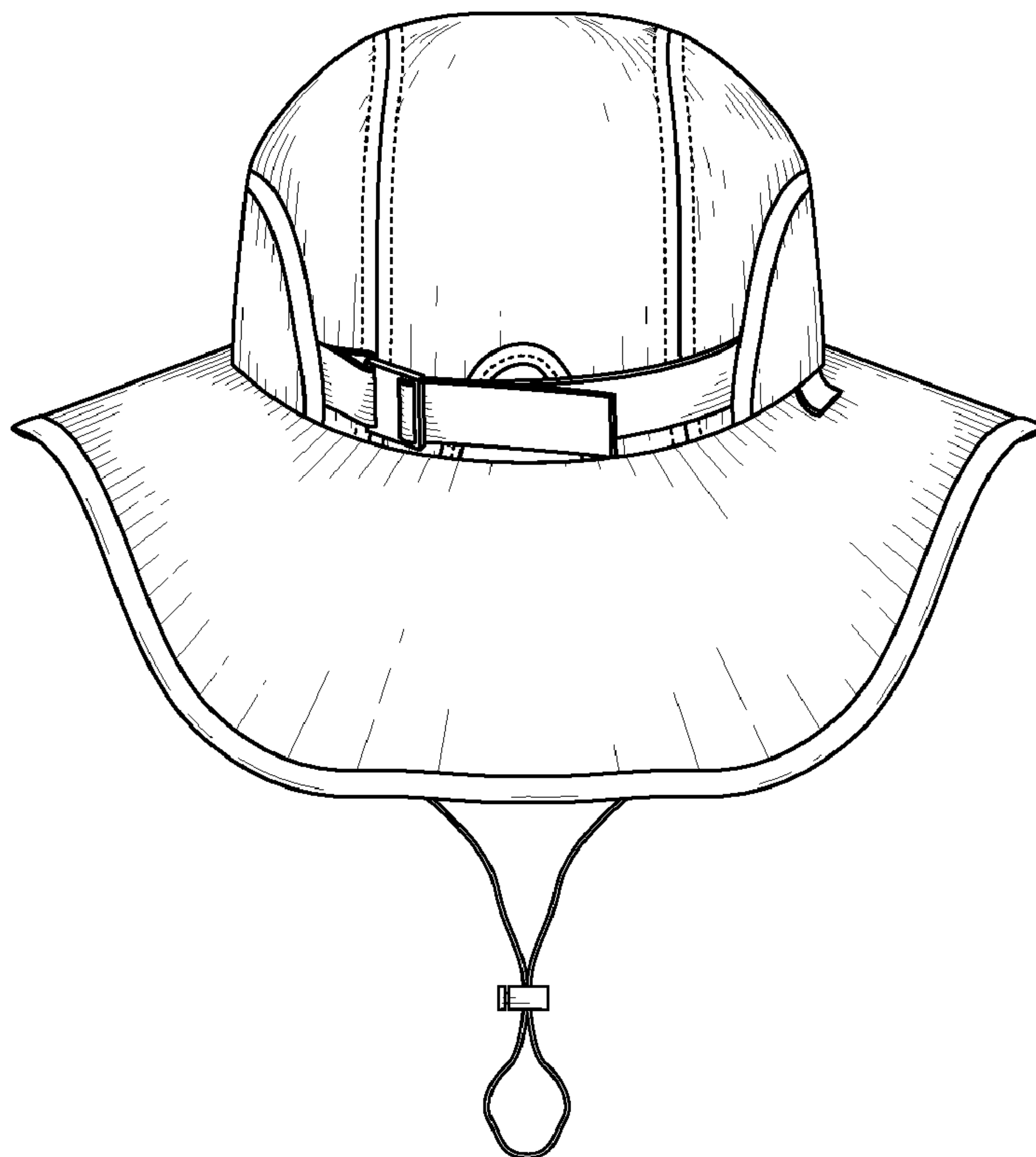


FIG. 3

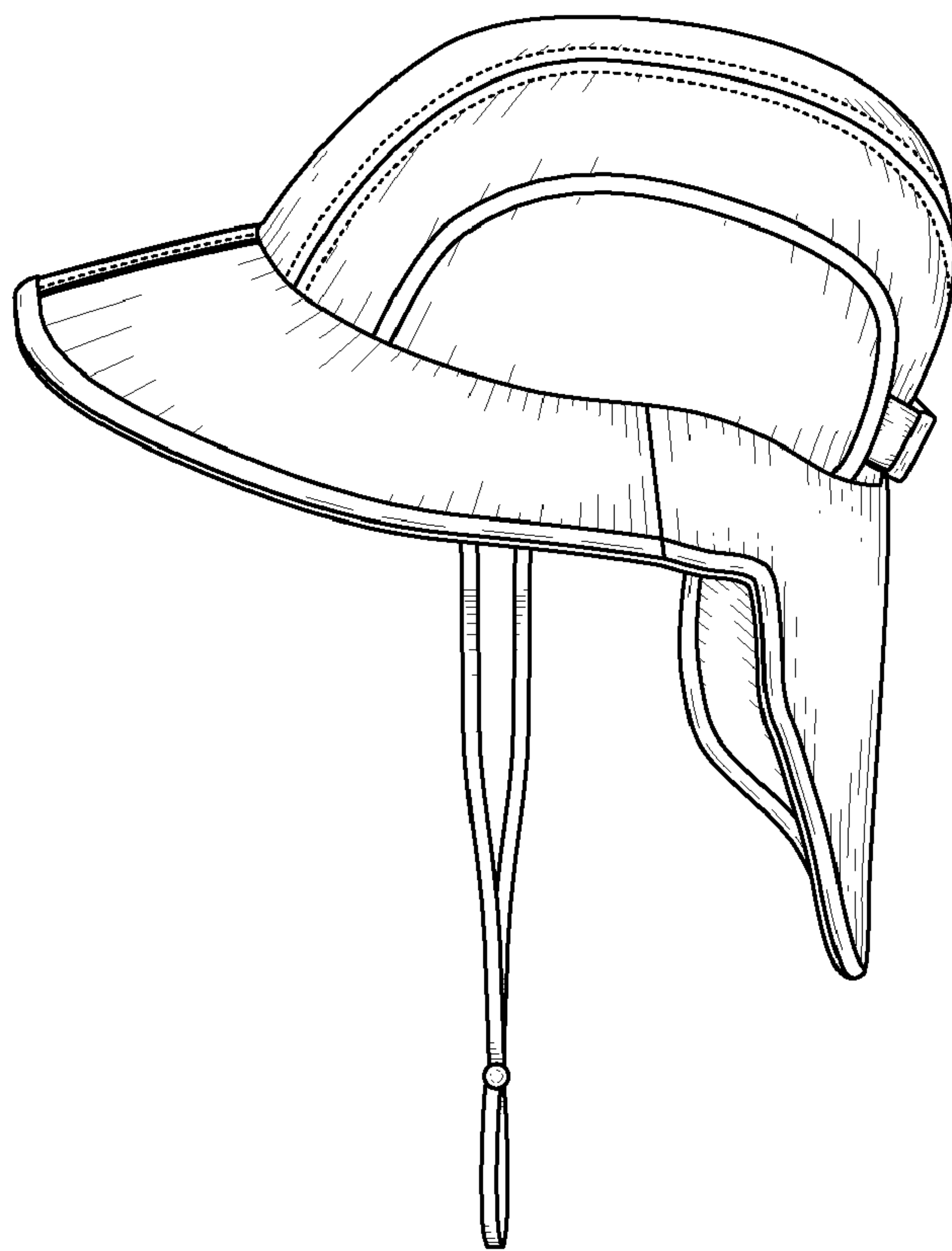


FIG. 4

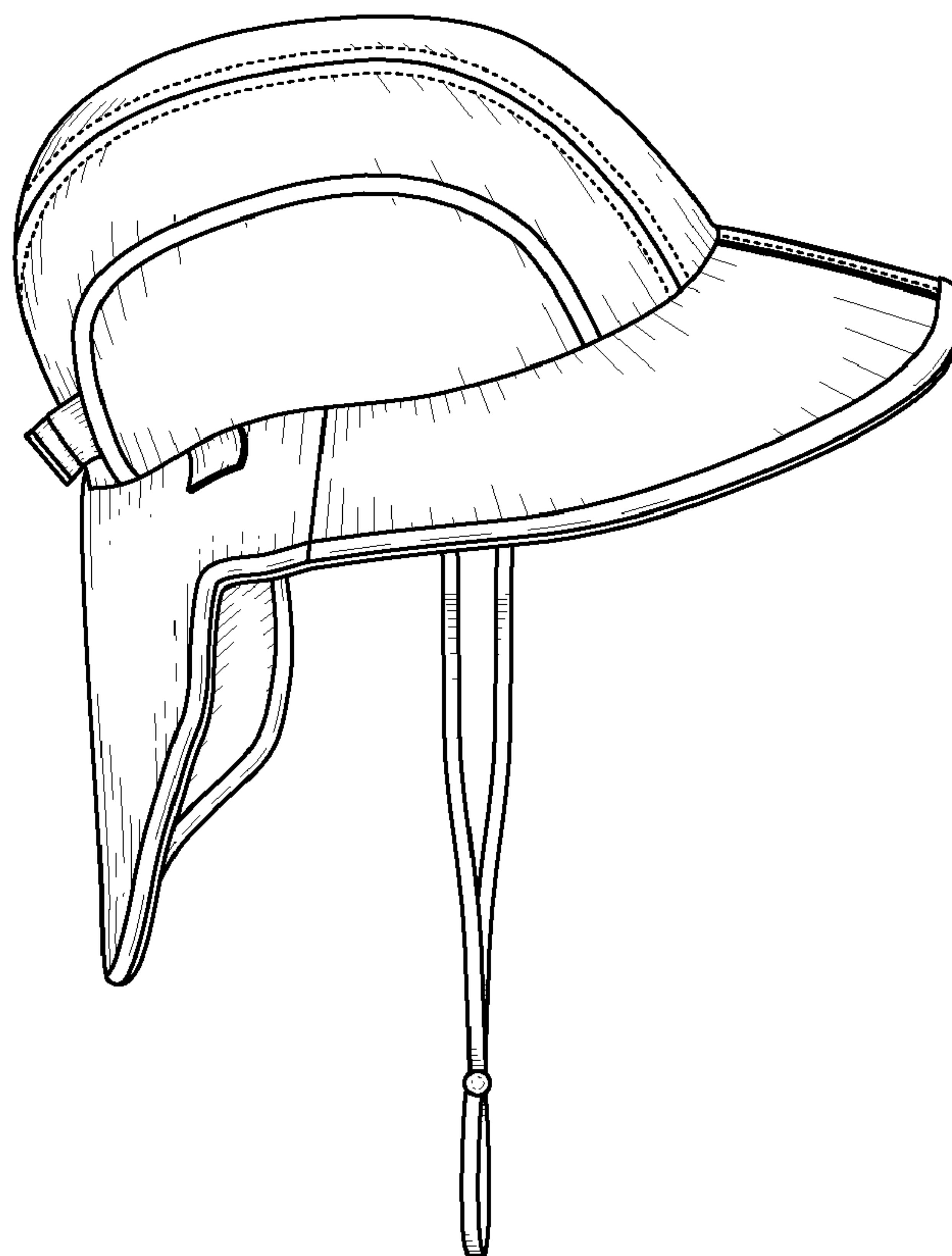


FIG. 5

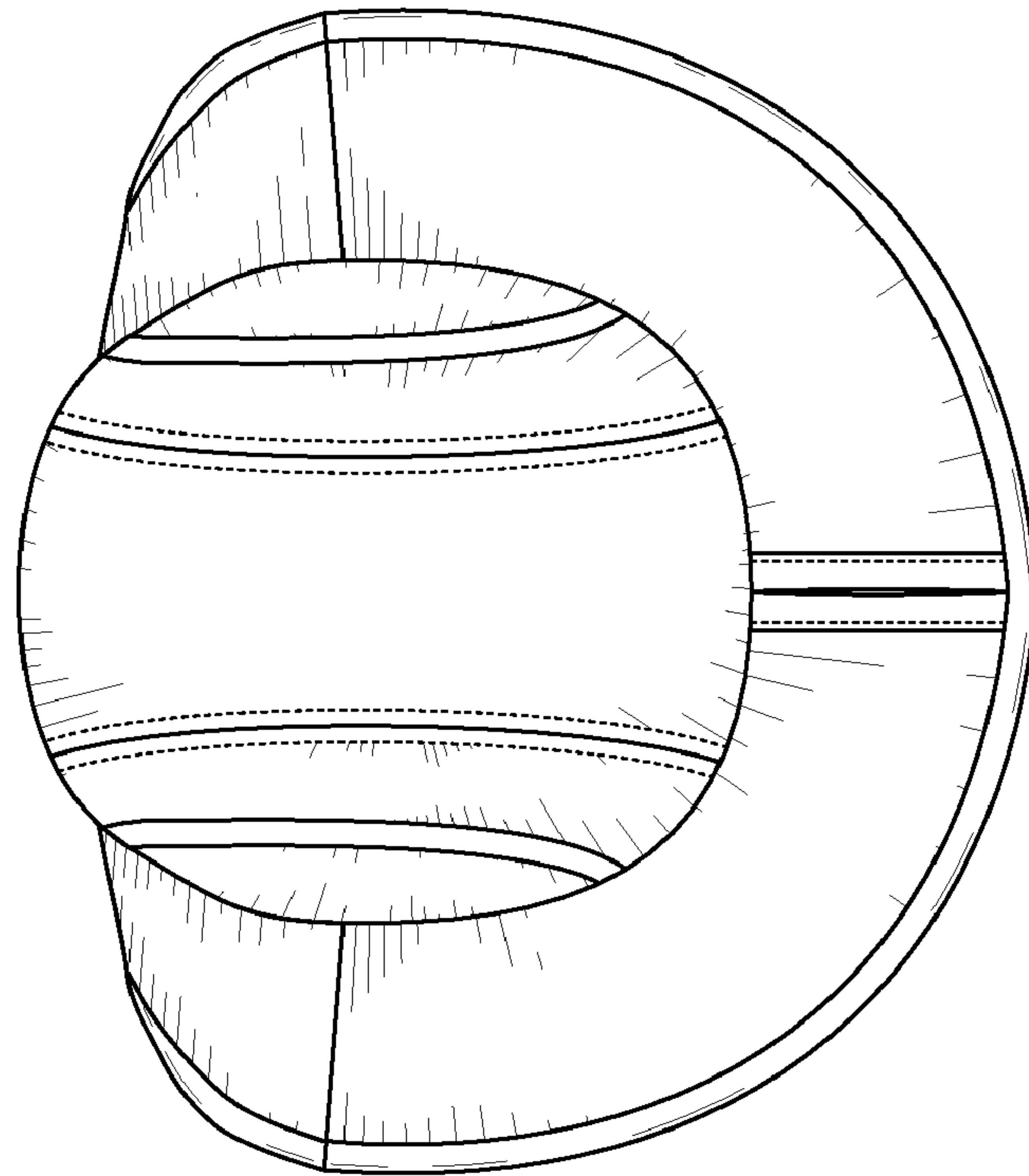


FIG. 6

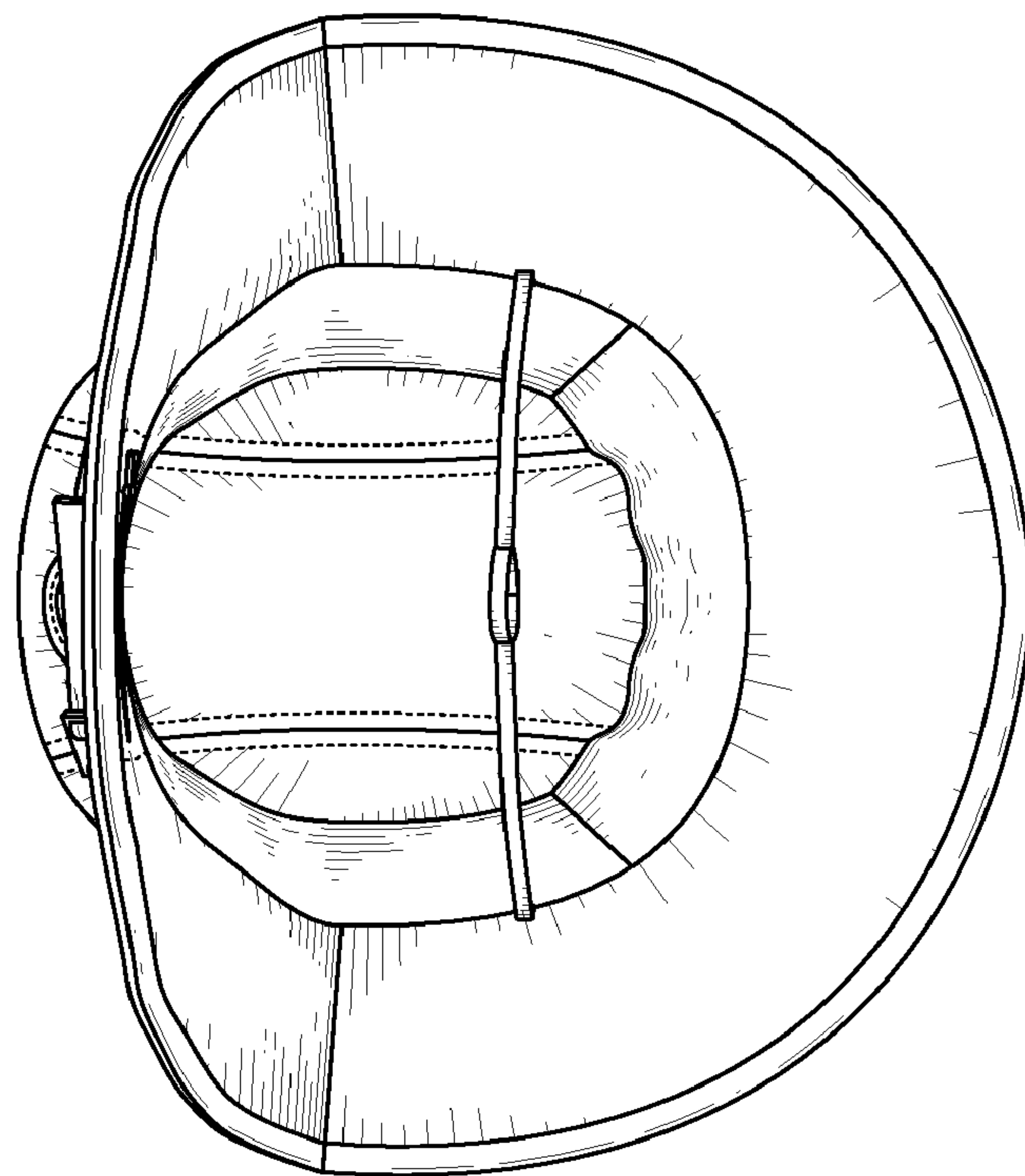


FIG. 7