



US00D619776S

(12) **United States Design Patent**
Wilson et al.

(10) **Patent No.:** **US D619,776 S**
(45) **Date of Patent:** **** Jul. 20, 2010**

(54) **CHOCOLATE BAR**

(75) Inventors: **Susan Wilson**, Bath (GB); **Lauren Brooking**, Kent (GB); **Phillip Jenkins**, Newport (GB); **Robert Wheatcroft**, Maidenhead (GB)

(73) Assignee: **Mars, Incorporated**, McLean, VA (US)

(**) Term: **14 Years**

(21) Appl. No.: **29/336,138**

(22) Filed: **Apr. 29, 2009**

Related U.S. Application Data

(62) Division of application No. 29/299,211, filed on Dec. 20, 2007, now Pat. No. Des. 594,181.

(51) **LOC (9) Cl.** **01-01**

(52) **U.S. Cl.** **D1/121**

(58) **Field of Classification Search** D1/100,
D1/101, 121, 127, 128, 130, 199; D21/386;
D24/101, 104; D28/8.1; 426/76, 103, 122,
426/144, 660, 512, 515

See application file for complete search history.

(56) **References Cited**

U.S. PATENT DOCUMENTS

530,039	A *	11/1894	Gardiner	426/104
D52,246	S	7/1918	Stollwerck		
D59,760	S	11/1921	Masconi		
D90,509	S	8/1933	Ronzoni		
D90,592	S	8/1933	Peterson		
D91,644	S	3/1934	Blackstone		
2,082,312	A	6/1937	William		
2,134,026	A	10/1938	Brooks		
D127,285	S	5/1941	Siemund		
D166,869	S	5/1952	Peters		

(Continued)

FOREIGN PATENT DOCUMENTS

EM 000748421-0001/15 7/2007

EM 000837257-0001/9 12/2007
EM 000943642-0001/2 5/2008

OTHER PUBLICATIONS

U.S. Appl. No. 29/299,211, filed Dec. 20, 2007, by Susan Wilson et al., entitled "Chocolate Bar".
U.S. Appl. No. 29/299,205, filed Dec. 20, 2007, by Susan Wilson et al., entitled "Chocolate Bar".
U.S. Appl. No. 29/335,325, filed Apr. 14, 2009, by Susan Wilson et al., entitled "Chocolate Bar".
U.S. Appl. No. 29/317,147, filed Apr. 23, 2008, by Susan Wilson et al., entitled "Chocolate Bar".
U.S. Appl. No. 29/327,471, filed Nov. 6, 2008, by Susan Wilson et al., entitled "Chocolate Bar".
Breadcraft, Bread for All Seasons, 1974, p. 76-77, "scroll".

Primary Examiner—Cathron C Brooks
Assistant Examiner—Barbara Fox
(74) *Attorney, Agent, or Firm*—Arent Fox LLP

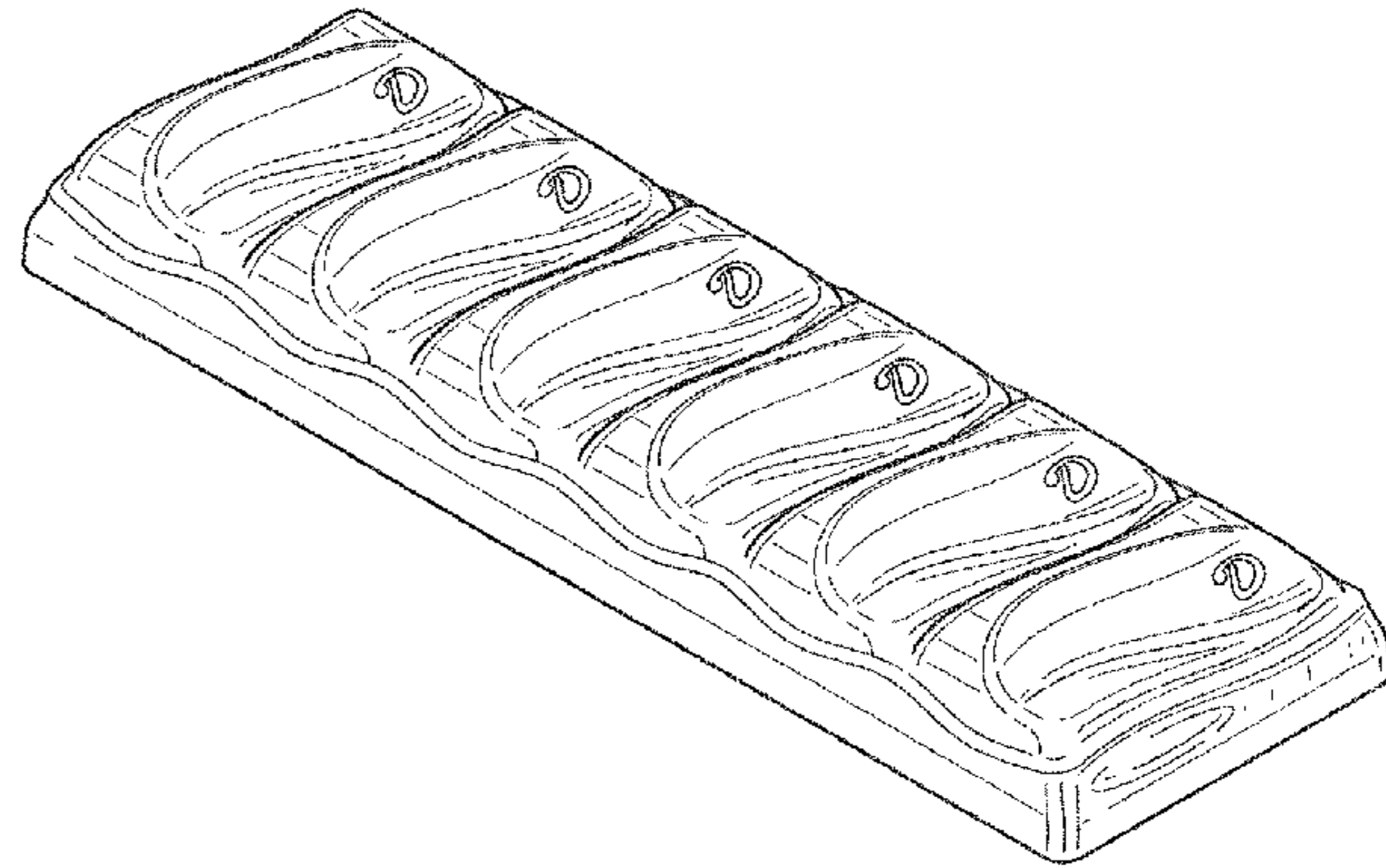
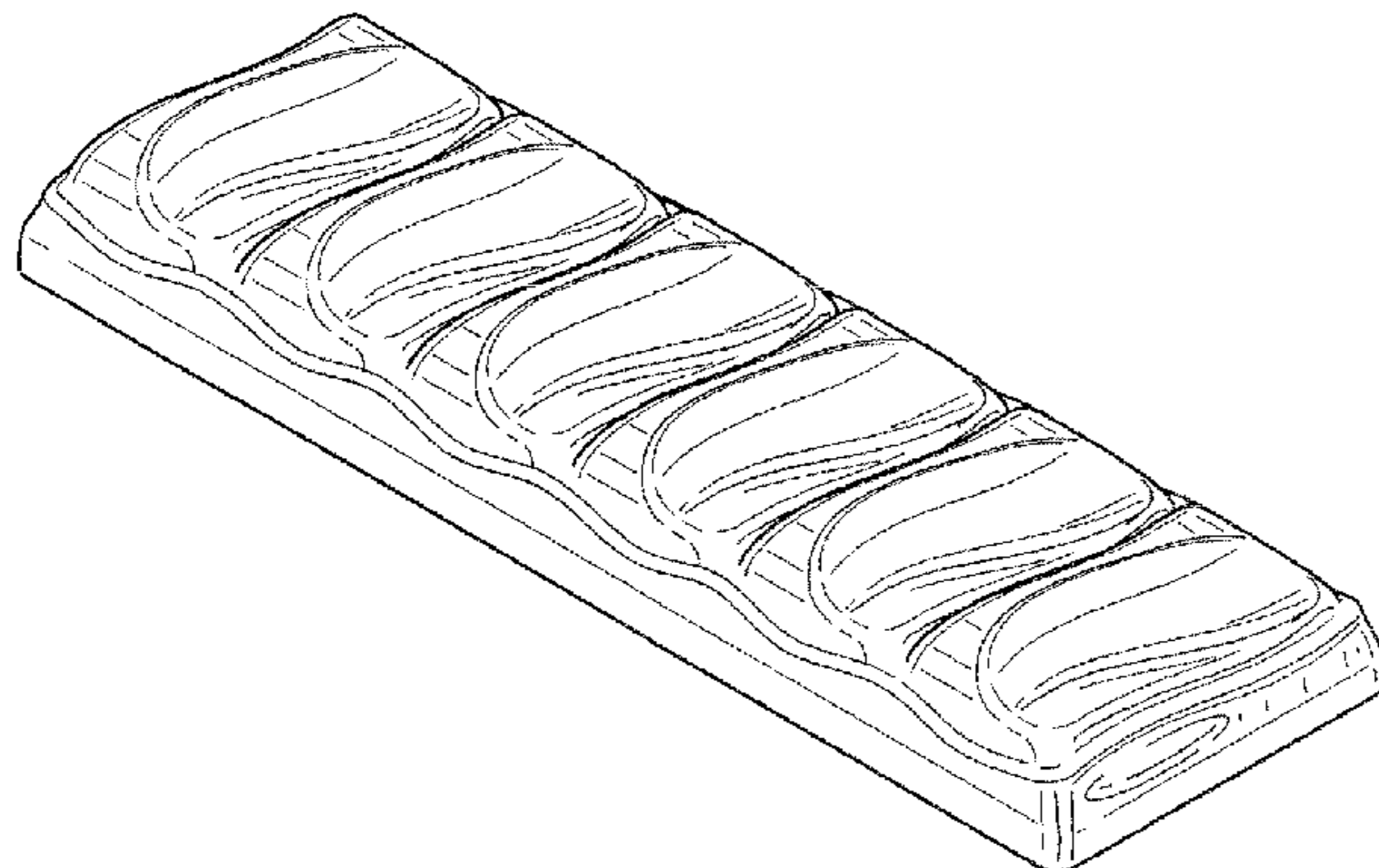
(57) **CLAIM**

The ornamental design for a chocolate bar, as shown and described.

DESCRIPTION

FIG. 1 is a perspective view of a chocolate bar showing our new design according to a first embodiment;
FIG. 2 is a top view of the design shown in FIG. 1;
FIG. 3 is a bottom view of the design shown in FIG. 1;
FIG. 4 is a left view of the design shown in FIG. 1;
FIG. 5 is a right view of the design shown in FIG. 1;
FIG. 6 is a rear view of the design shown in FIG. 1;
FIG. 7 is a front view of the design shown in FIG. 1;
FIG. 8 is a perspective view of a chocolate bar showing our new design according to a second embodiment;
FIG. 9 is a top view of the design shown in FIG. 8; and,
FIG. 10 is a front view of the design shown in FIG. 8, the bottom, left, right and rear views being identical to those shown in FIGS. 3–6, respectively.

1 Claim, 6 Drawing Sheets



US D619,776 S

Page 2

U.S. PATENT DOCUMENTS

D166,870 S	5/1952	Peters		D526,112 S	8/2006	Martin et al.	
D201,229 S	5/1965	Burke		D545,026 S	6/2007	Martin et al.	
D209,881 S	1/1968	Vanderhyde		D556,426 S	12/2007	Slessor et al.	
D246,941 S	1/1978	Kalt		D560,326 S	1/2008	Bruno	
D310,579 S	9/1990	Ni et al.		D563,076 S	3/2008	Brooking et al.	
D357,339 S	4/1995	Walsh		D565,827 S	4/2008	Brooking et al.	
D416,661 S	* 11/1999	Sherman et al. D1/127	D567,647 S	4/2008	Reda	
D473,033 S	4/2003	Welles et al.		D584,877 S	1/2009	Kaiser et al.	
D478,394 S	8/2003	McLeish		D586,076 S	* 2/2009	Scavino D1/121
D499,228 S	12/2004	Malina et al.		D589,676 S	4/2009	Wilson et al.	
D508,302 S	8/2005	Malina et al.		D591,927 S	5/2009	Wilson et al.	
D512,547 S	12/2005	O'Neill		D593,276 S	6/2009	Kaiser et al.	
D520,184 S	5/2006	Flurer et al.		D595,027 S	6/2009	Hartmann et al.	
D522,212 S	6/2006	Martin et al.		D595,477 S	7/2009	Loret et al.	

* cited by examiner

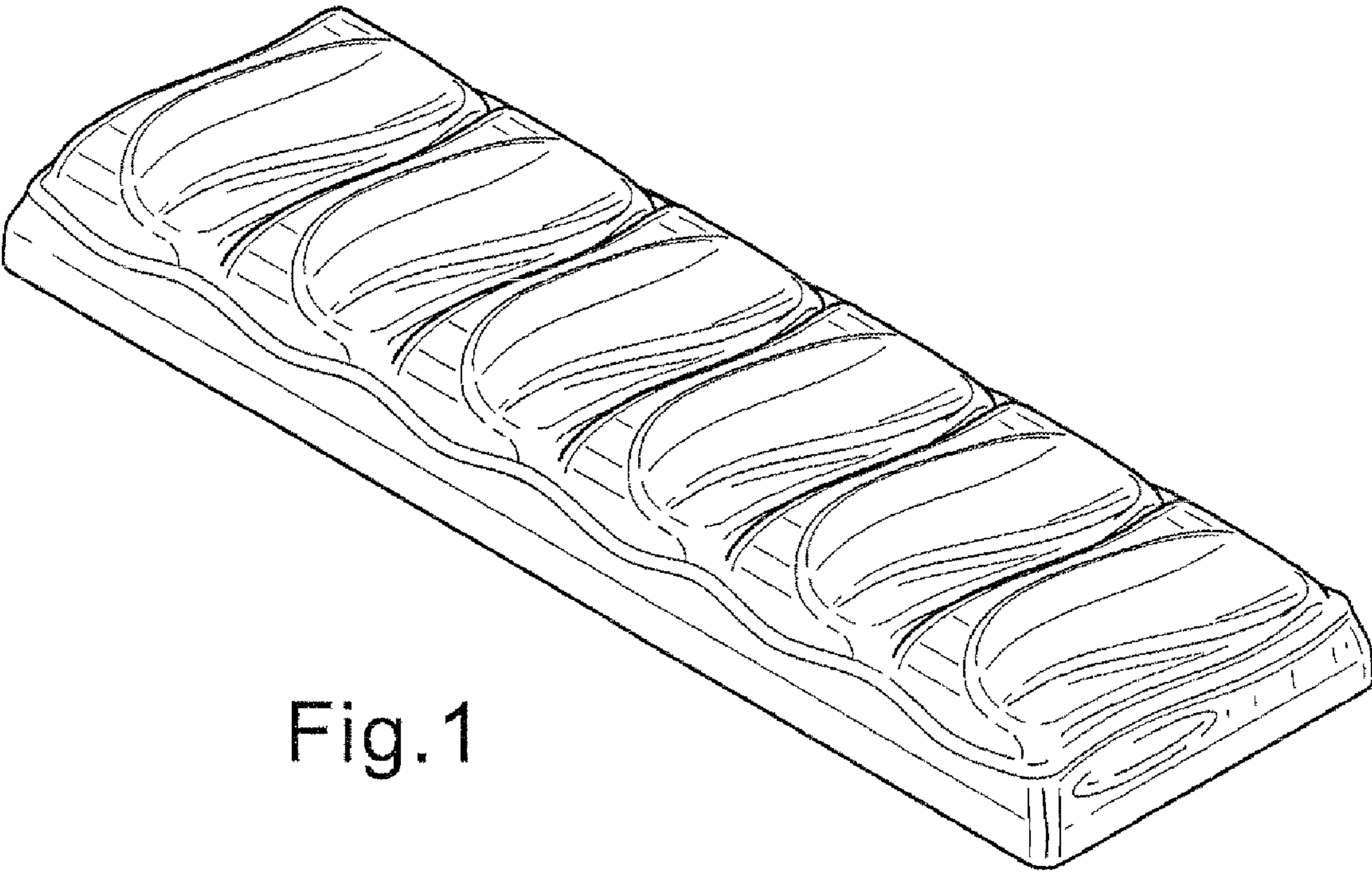


Fig. 1

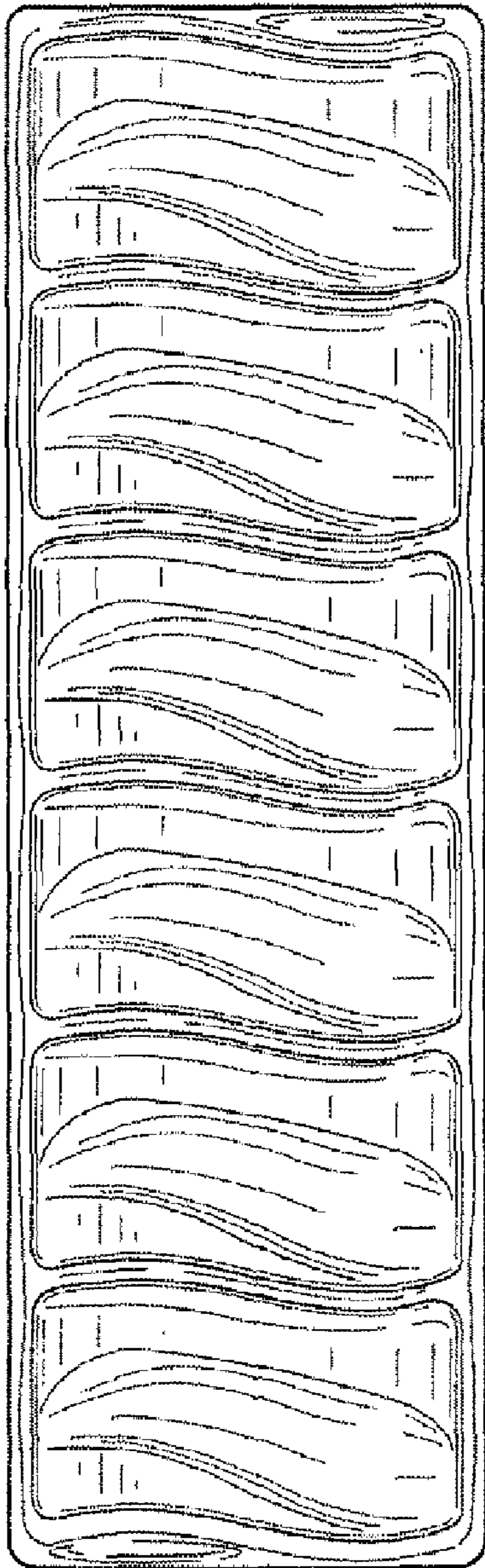


Fig. 2

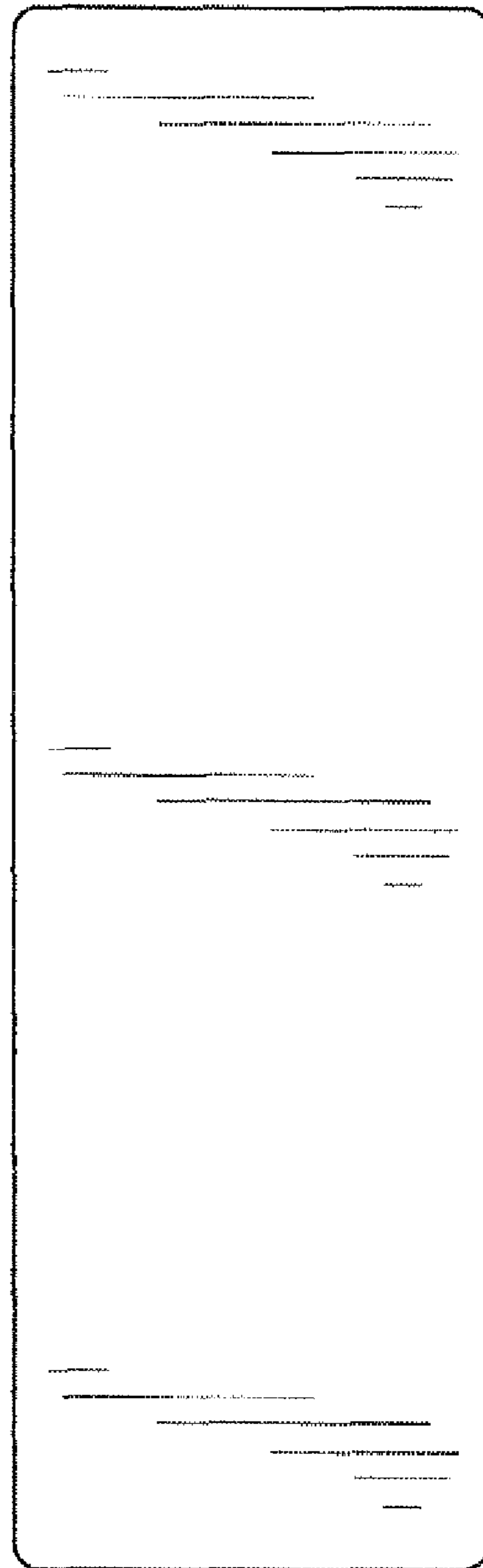


Fig. 3

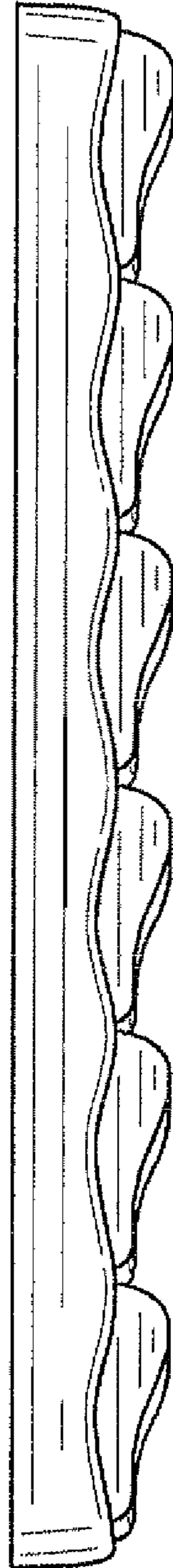


Fig.4

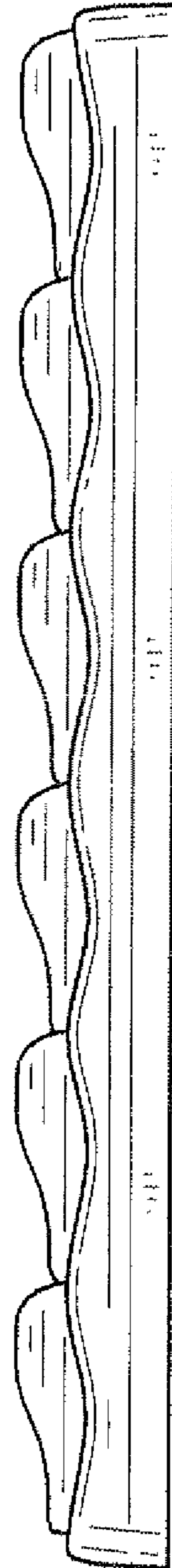


Fig.5

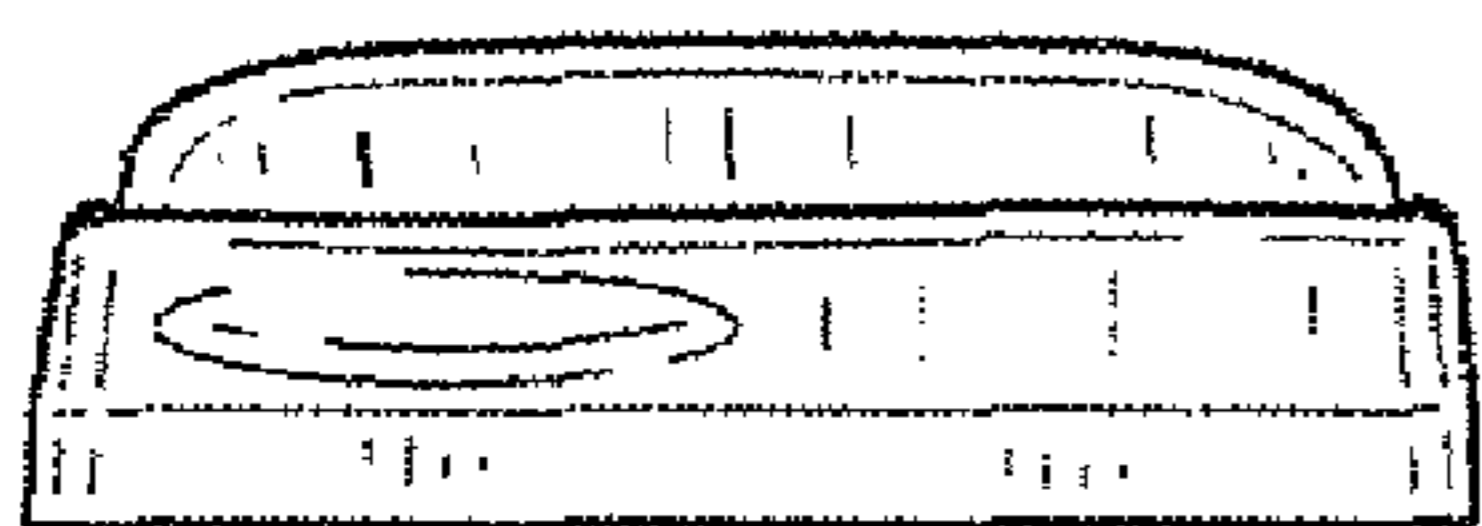


Fig. 6

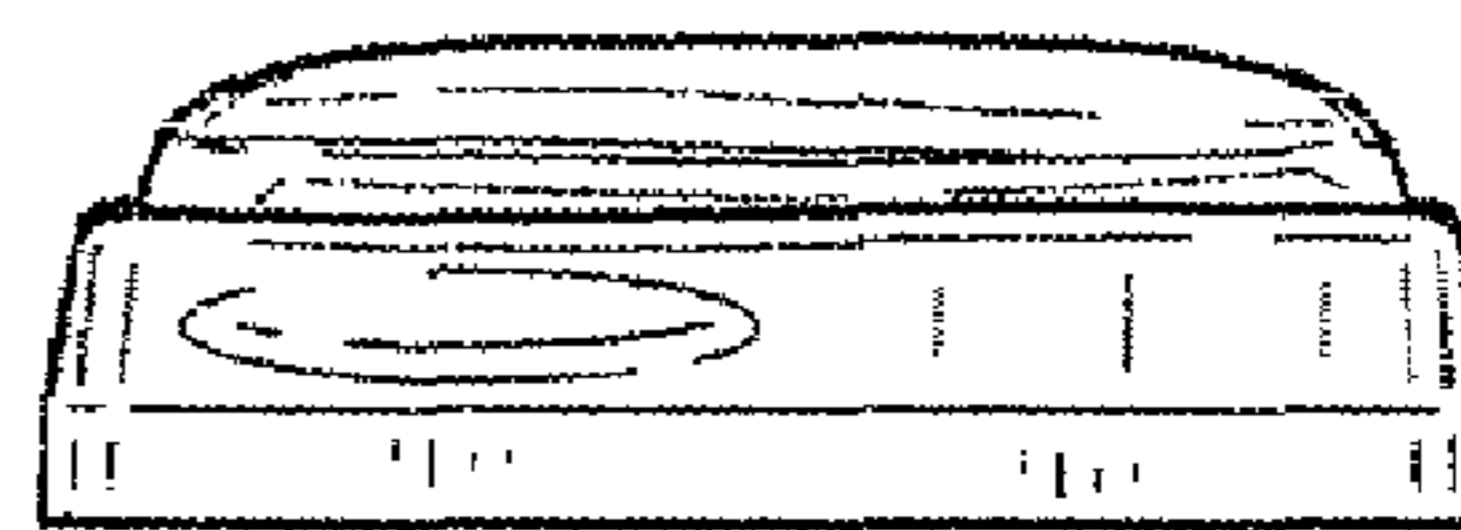


Fig. 7

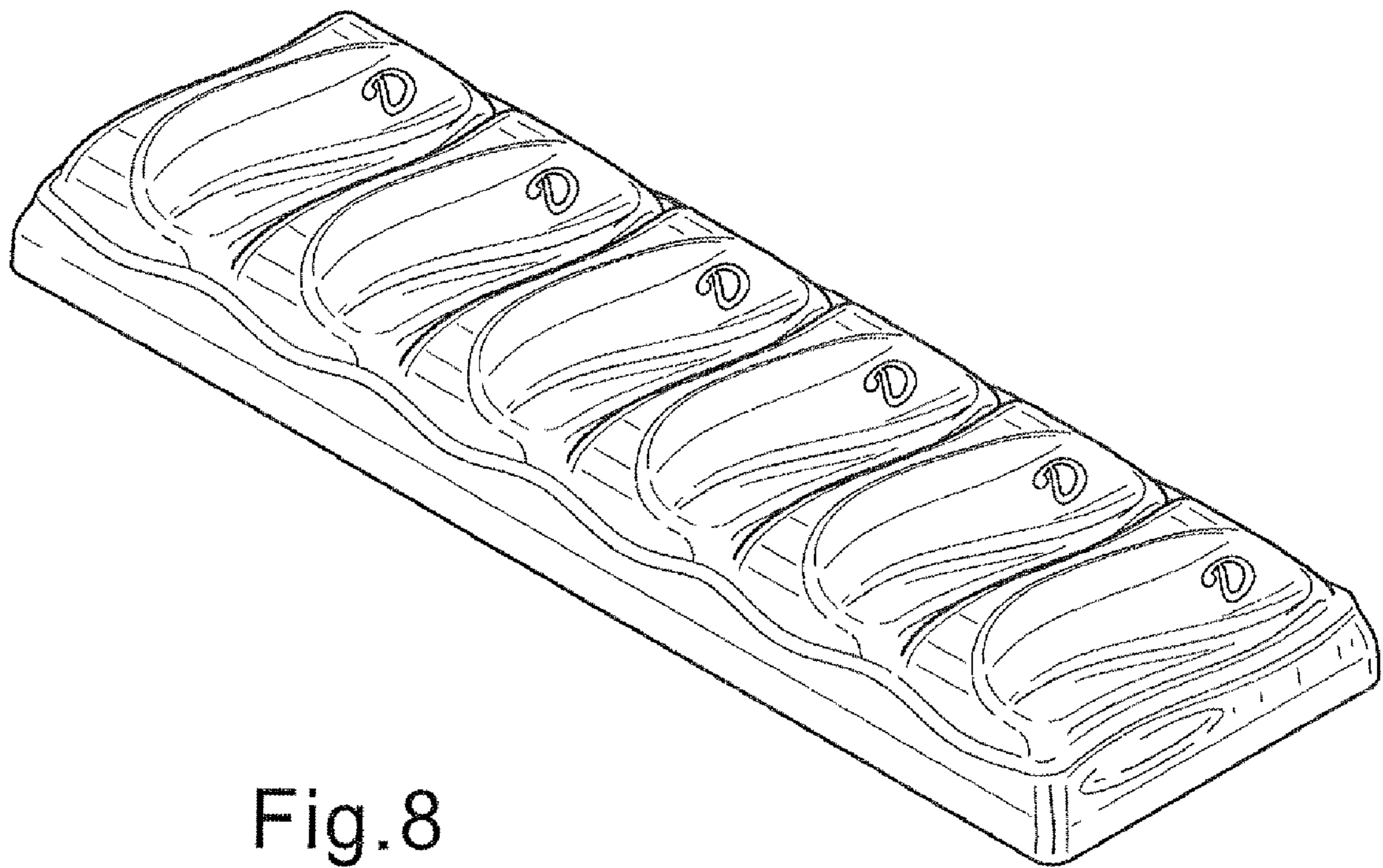


Fig.8

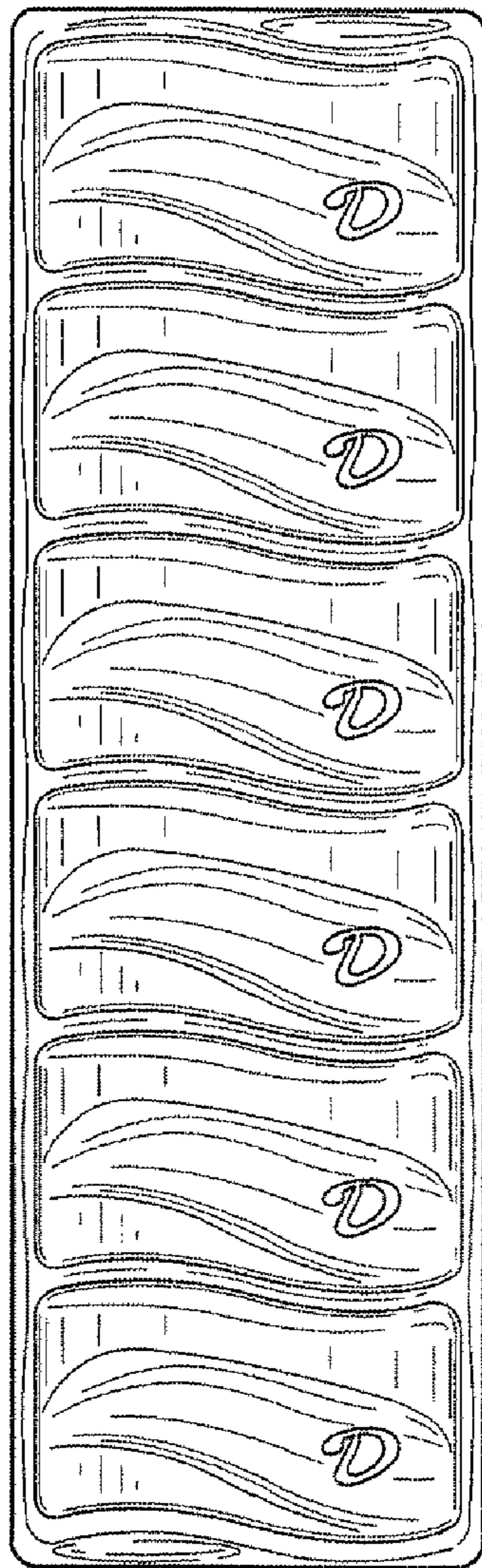


Fig.9

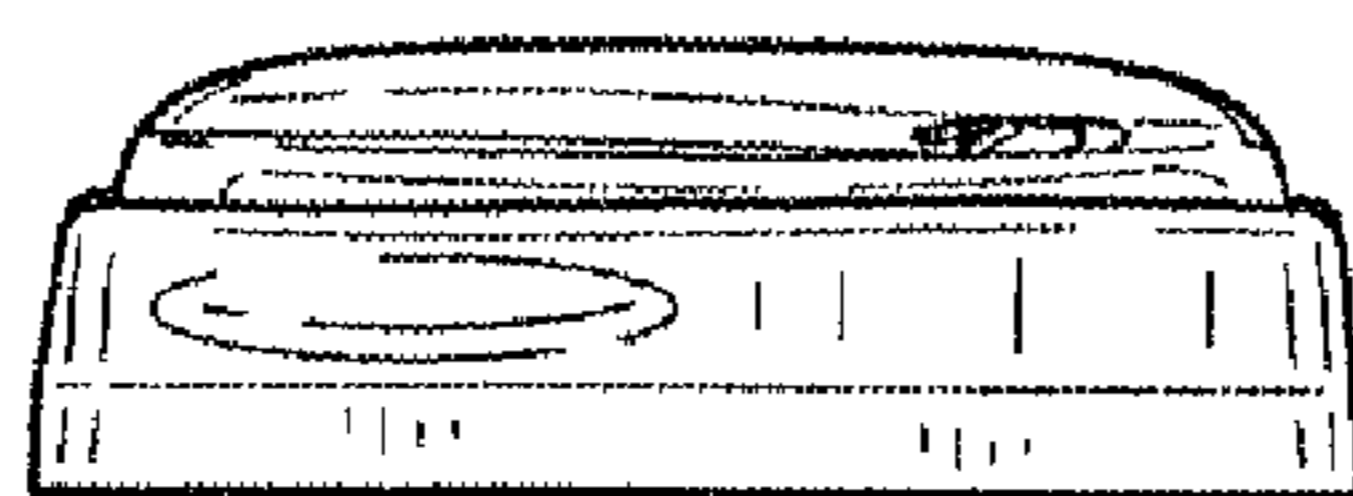


Fig.10