



US00D619773S

(12) **United States Design Patent**
Diermayer et al.

(10) **Patent No.:** **US D619,773 S**
(45) **Date of Patent:** **** Jul. 13, 2010**

(54) **LEAF PRE-SKIMMER FOR A POOL**

(75) Inventors: **Stephen L. Diermayer**, 265 Carolina Ct., Montgomery, AL (US) 36117; **Mary Beth Boyette**, Wetumpka, AL (US)

(73) Assignee: **Stephen L. Diermayer**, Pike Road, AL (US)

(**) Term: **14 Years**

(21) Appl. No.: **29/289,244**

(22) Filed: **Jul. 12, 2007**

(51) **LOC (9) Cl.** **08-99**

(52) **U.S. Cl.** **D32/35**

(58) **Field of Classification Search** D22/135;
D23/209, 210; D32/35; 15/1.7; 43/7, 11;
210/169, 238, 470, 471, 473, 474, 495, 499
See application file for complete search history.

(56) **References Cited**

U.S. PATENT DOCUMENTS

3,220,037	A	11/1965	Ruhling	
3,863,237	A	1/1975	Doerr	
4,140,634	A	2/1979	Harry	
4,828,690	A *	5/1989	Montez	209/418
D360,759	S	8/1995	Emery	
5,833,845	A	11/1998	Anderson	
5,871,054	A	2/1999	Bloom	

5,935,450	A	8/1999	Benedict	
D444,628	S	7/2001	Schwarz	
6,302,277	B1 *	10/2001	Resh	210/471
D488,602	S *	4/2004	Pecci et al.	D32/35
D492,825	S *	7/2004	Pecci et al.	D32/35
7,111,741	B2 *	9/2006	Bramante	209/614
7,276,157	B1 *	10/2007	Woods	210/167.19
7,594,997	B1 *	9/2009	Kazarian	210/167.19

* cited by examiner

Primary Examiner—Cathron C Brooks

Assistant Examiner—Austin Murphy

(57) **CLAIM**

We claim; the ornamental design for a leaf pre-skimmer for a pool, as shown and described.

DESCRIPTION

FIG. 1 is a top, side perspective view of my design, the opposite side view being identical, showing depth, thereto;

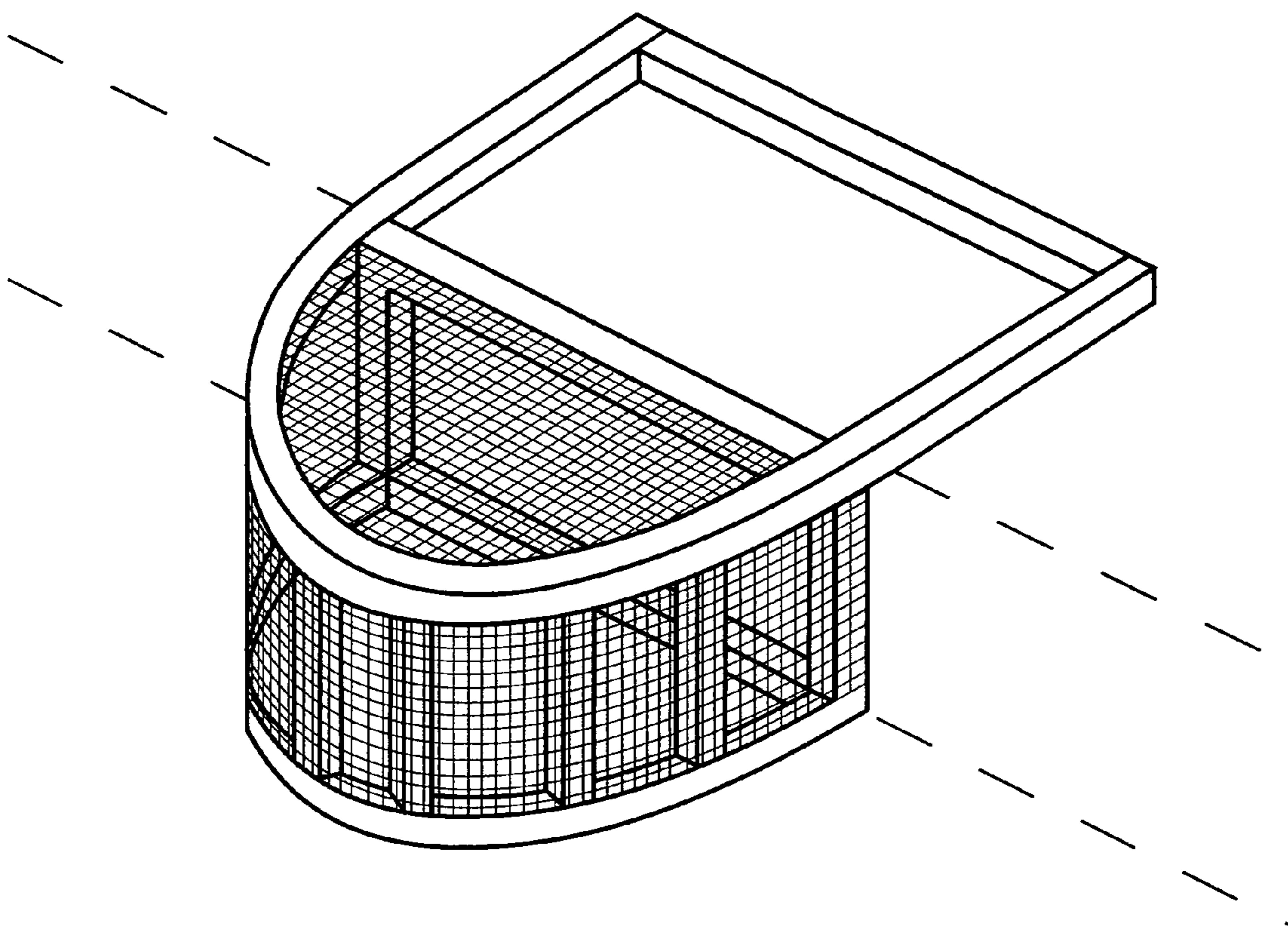
FIG. 2 is a front view, the back view being identical thereto;

FIG. 3 is a side view, the opposite side being identical thereof; and,

FIG. 4 is a top view thereof; the bottom being open.

The ----(dash, dash, dash) lines in FIG. 1 represent the interface between the concrete walking surface and the pool side and forms no part of the claimed design.

1 Claim, 2 Drawing Sheets



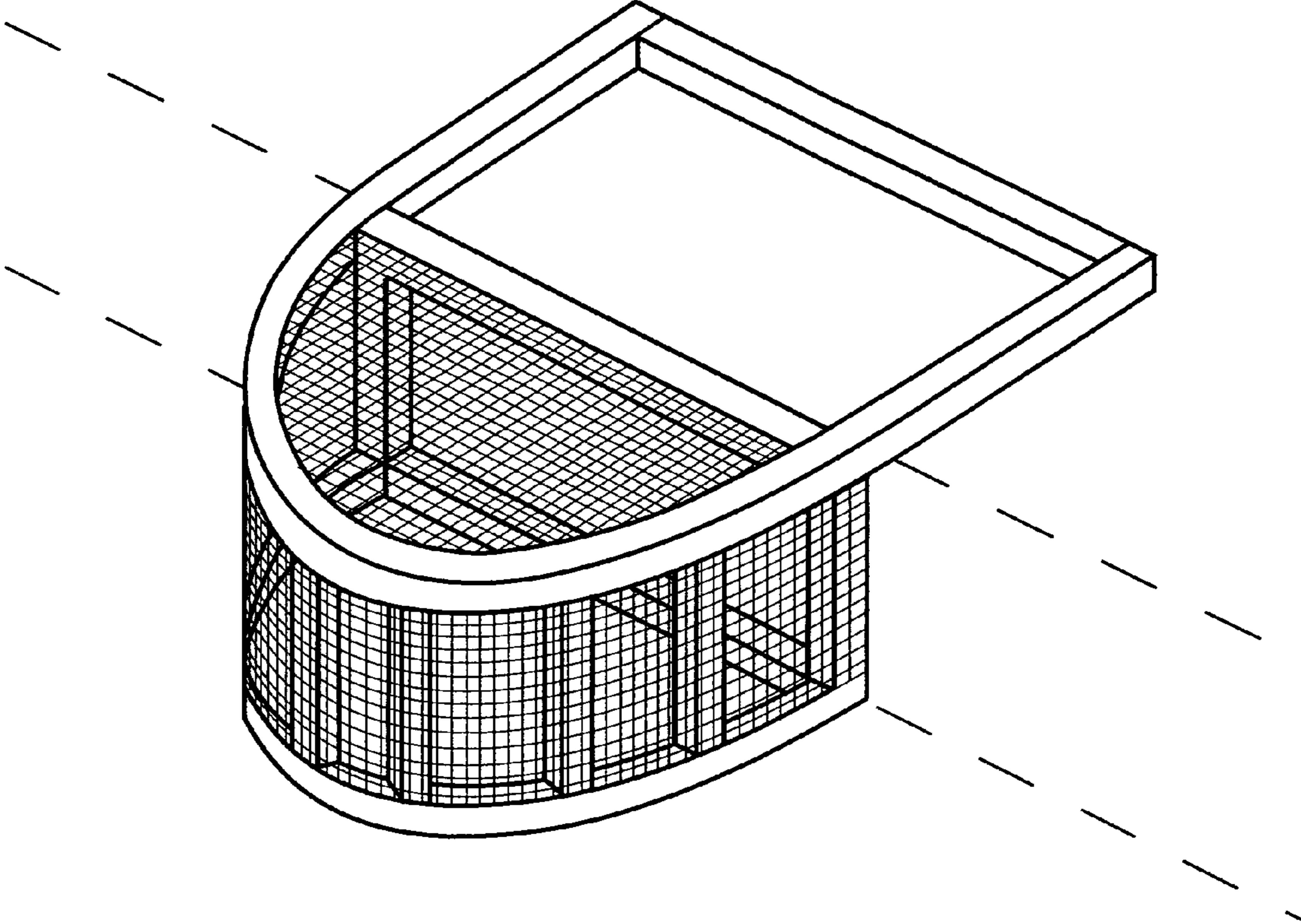


Figure 1

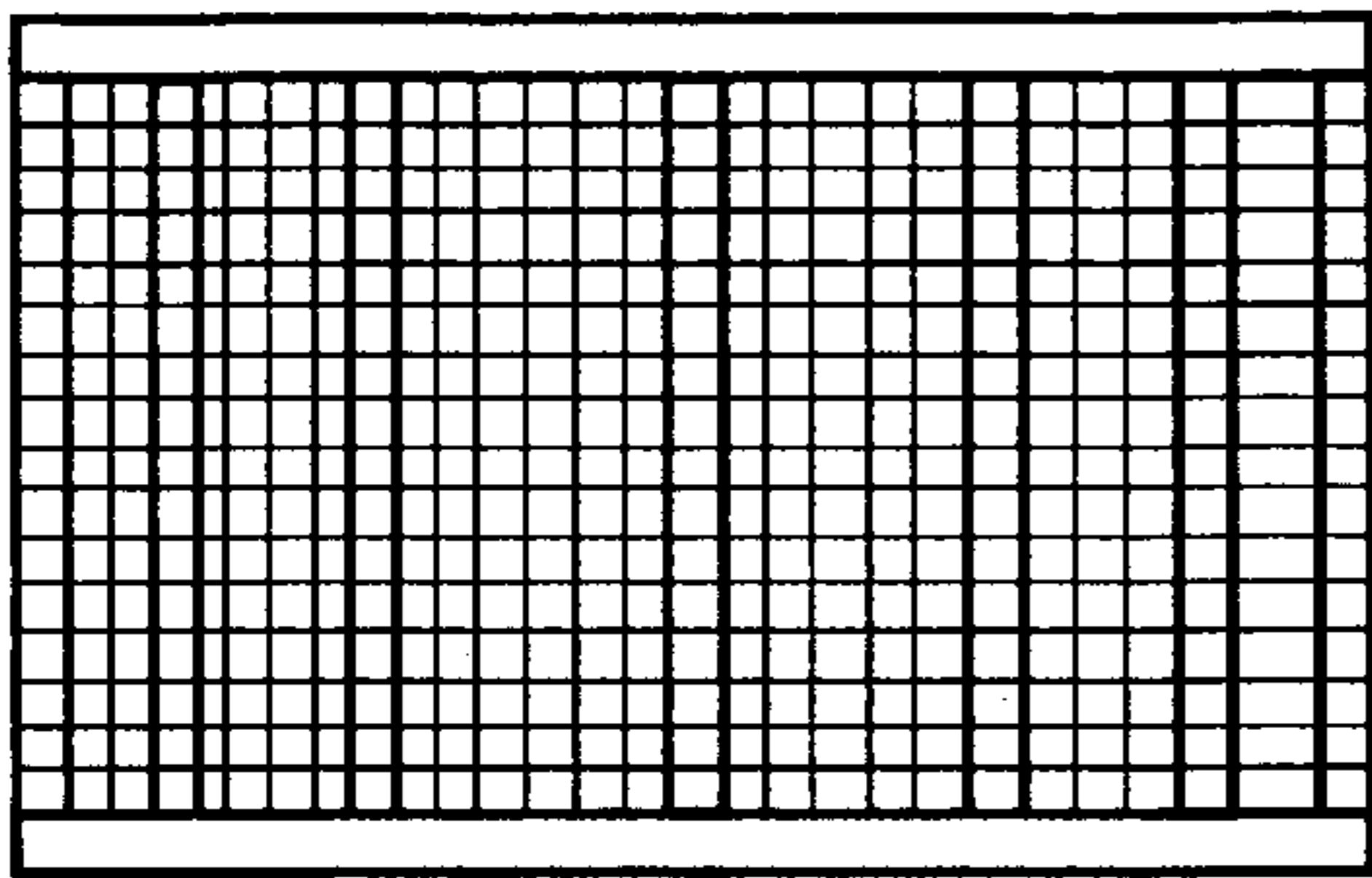


Figure 2

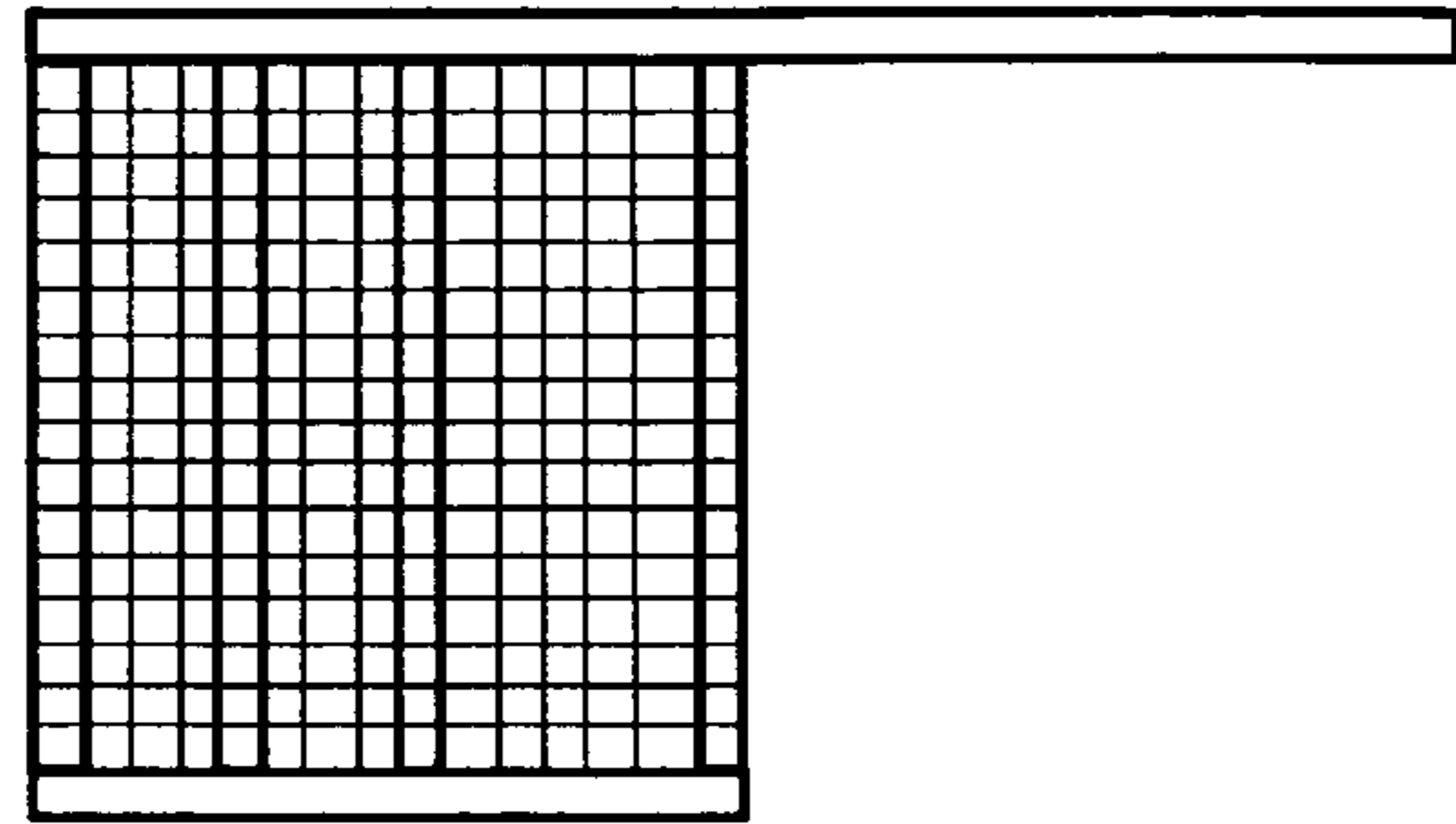


Figure 3

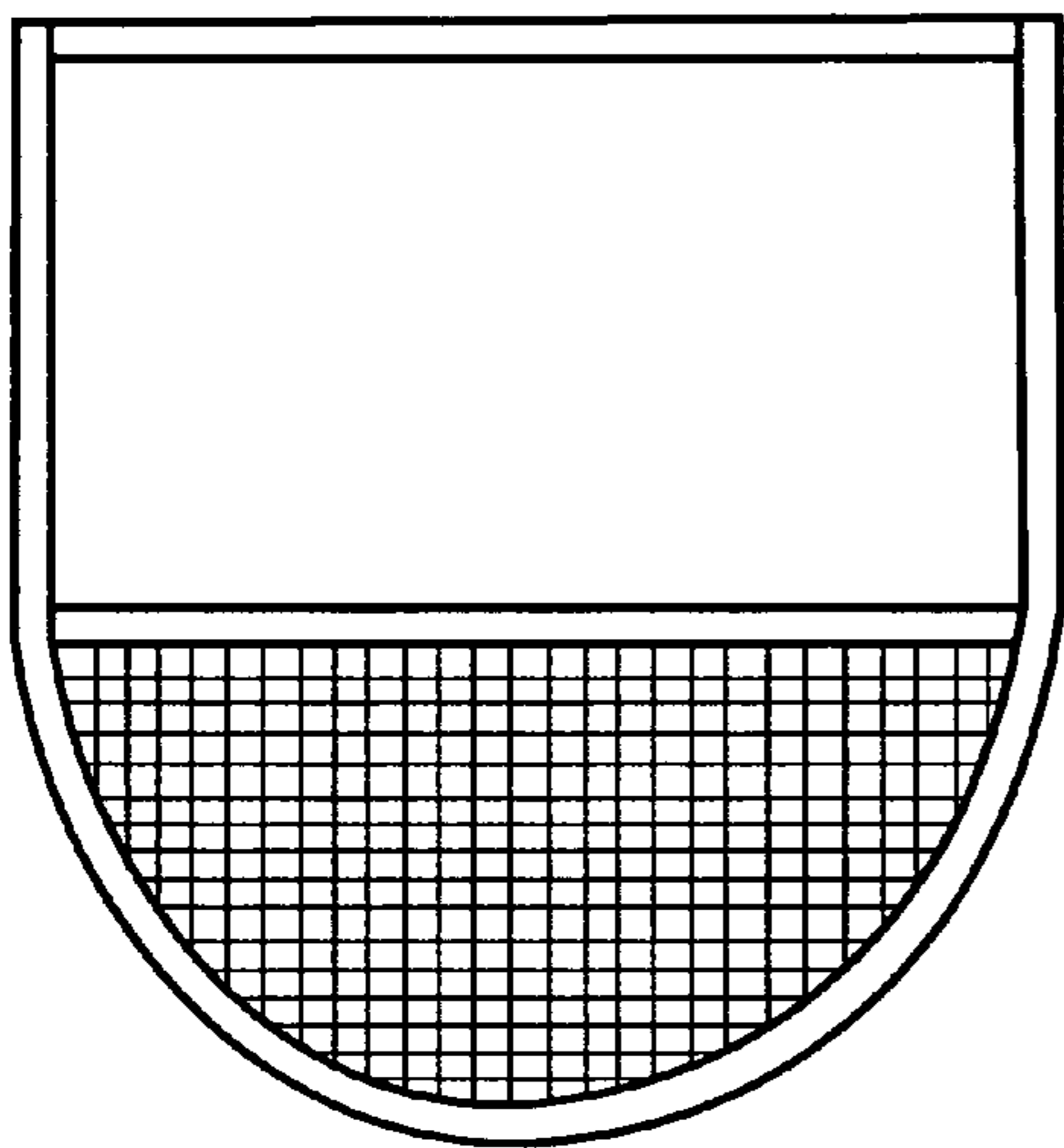


Figure 4