



US00D619771S

(12) **United States Design Patent**
Bixby et al.

(10) **Patent No.:** **US D619,771 S**
(45) **Date of Patent:** **** Jul. 13, 2010**

- (54) **APPLIANCE WAVE TRIM**
- (75) Inventors: **Seth E. Bixby**, Stevensville, MI (US);
Jeffrey M. Browne, Chicago, IL (US);
Jeong J. Jun, Stevensville, MI (US)
- (73) Assignee: **Whirlpool Corporation**, Benton Harbor,
MI (US)
- (**) Term: **14 Years**
- (21) Appl. No.: **29/346,825**
- (22) Filed: **Nov. 6, 2009**

- D552,807 S * 10/2007 Jeon et al. D32/6
- D553,309 S 10/2007 Revoldini et al.
- D556,958 S 12/2007 Kwon
- D570,059 S 5/2008 Jeon et al.
- D571,510 S 6/2008 Cadamuro
- D571,511 S 6/2008 Cadamuro
- D577,870 S 9/2008 Kim et al.
- D579,610 S 10/2008 Jeon et al.
- D581,606 S 11/2008 Cho et al.
- D582,104 S 12/2008 Cho et al.
- D584,015 S 12/2008 Um
- D584,459 S 1/2009 Cadamuro
- D586,958 S 2/2009 Cadamuro
- D587,865 S 3/2009 Cadamuro

* cited by examiner

- (51) **LOC (9) Cl.** **15-05**
- (52) **U.S. Cl.** **D32/25**
- (58) **Field of Classification Search** D32/6,
D32/8, 5, 10, 1, 9, 25; 68/3 R, 5 R, 12.01,
68/212; 34/523-524; 312/31

See application file for complete search history.

Primary Examiner—T. Chase Nelson
Assistant Examiner—Kathleen M Sims
(74) *Attorney, Agent, or Firm*—Tara M. Hartman; Barnes & Thornburg LLP

(56) **References Cited**

U.S. PATENT DOCUMENTS

- D496,709 S 9/2004 Suh et al.
- D517,255 S 3/2006 Kim et al.
- D517,257 S 3/2006 Kim et al.
- D517,258 S 3/2006 Ha et al.
- D517,259 S 3/2006 Ha et al.
- D517,756 S 3/2006 Ha et al.
- D519,247 S 4/2006 Kim et al.
- D520,686 S 5/2006 Jeon et al.
- D524,001 S * 6/2006 Carey et al. D32/6
- D549,894 S * 8/2007 Wilday D32/6
- D549,896 S 8/2007 Suh
- D549,897 S 8/2007 Suh
- D549,898 S 8/2007 Suh
- D549,899 S 8/2007 Suh
- D549,900 S 8/2007 Kim et al.
- D549,902 S 8/2007 Suh
- D551,401 S 9/2007 Jeon et al.

(57) **CLAIM**

We claim the ornamental design for an appliance wave trim, as shown and described.

DESCRIPTION

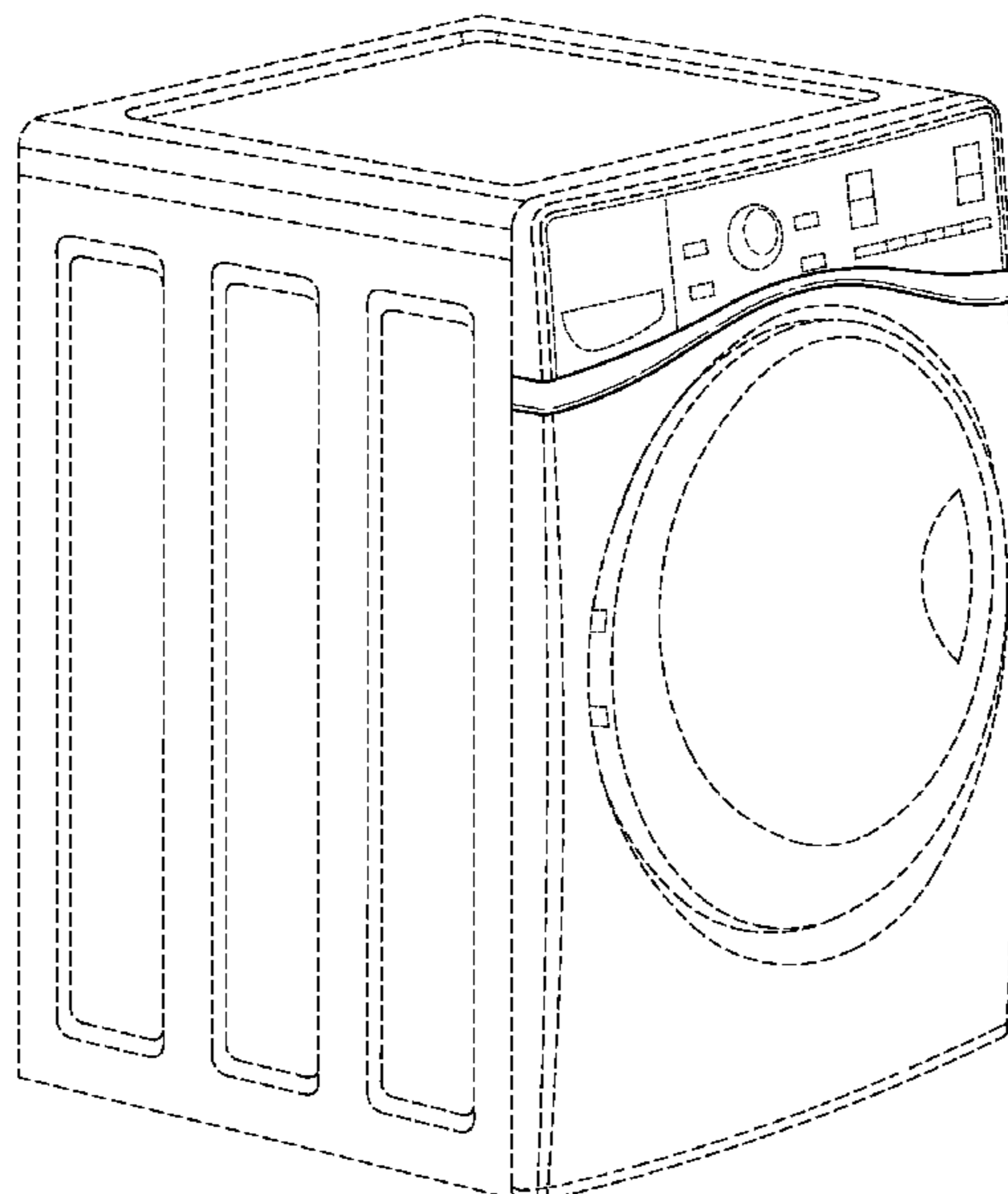
FIG. 1 is a front perspective view of the appliance wave trim showing our new design;

FIG. 2 is a front elevational view of the appliance wave trim of FIG. 1; and,

FIG. 3 is a first side elevational view of the appliance wave trim of FIG. 1, with the second side elevational view being a mirror image of FIG. 3.

The rear elevational view, the top plan view, and the bottom plan view are not shown and form no part of the claimed design. The portion shown in broken lines is for illustrative purposes only and forms no part of the claimed design.

1 Claim, 3 Drawing Sheets



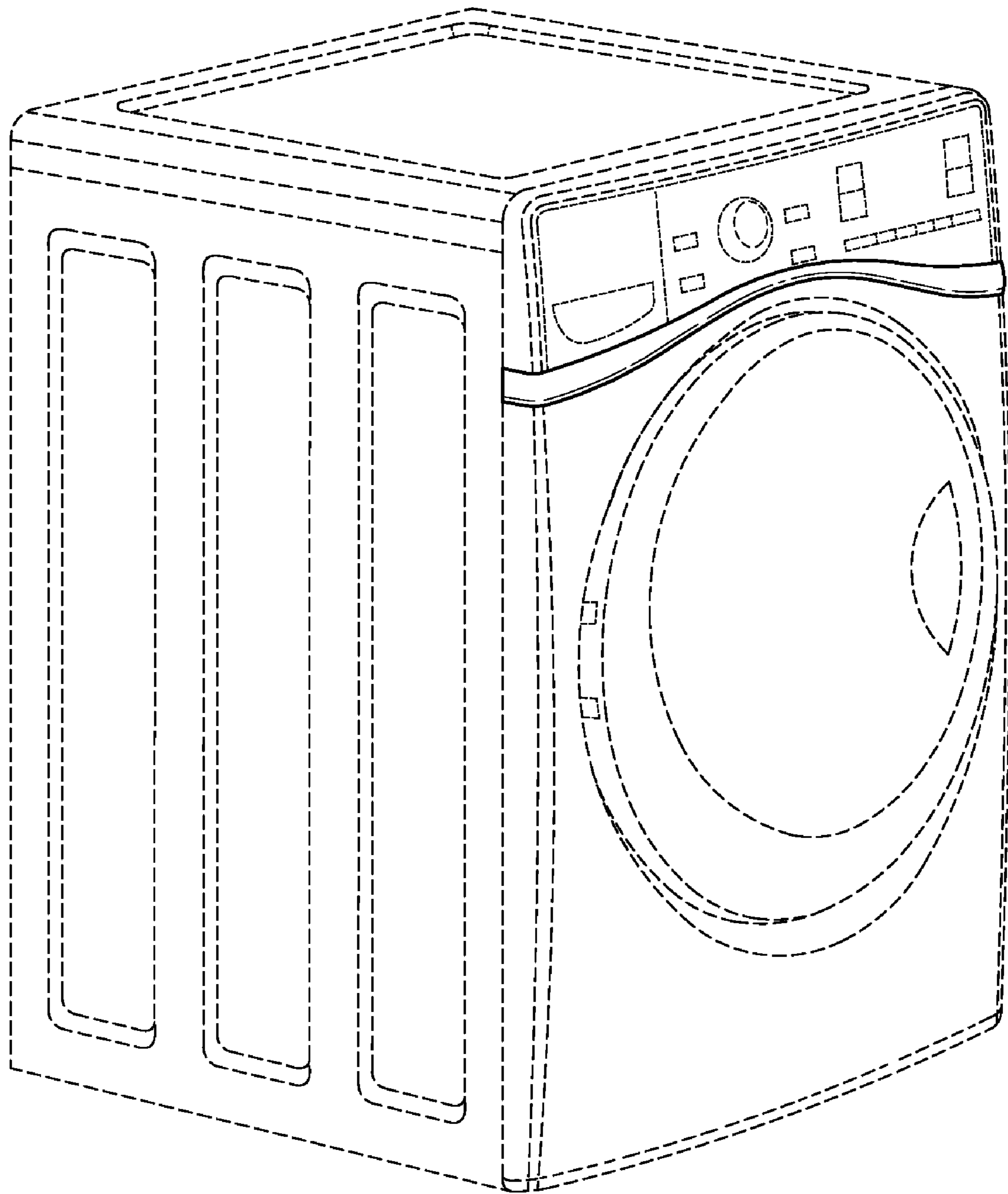


Fig. 1

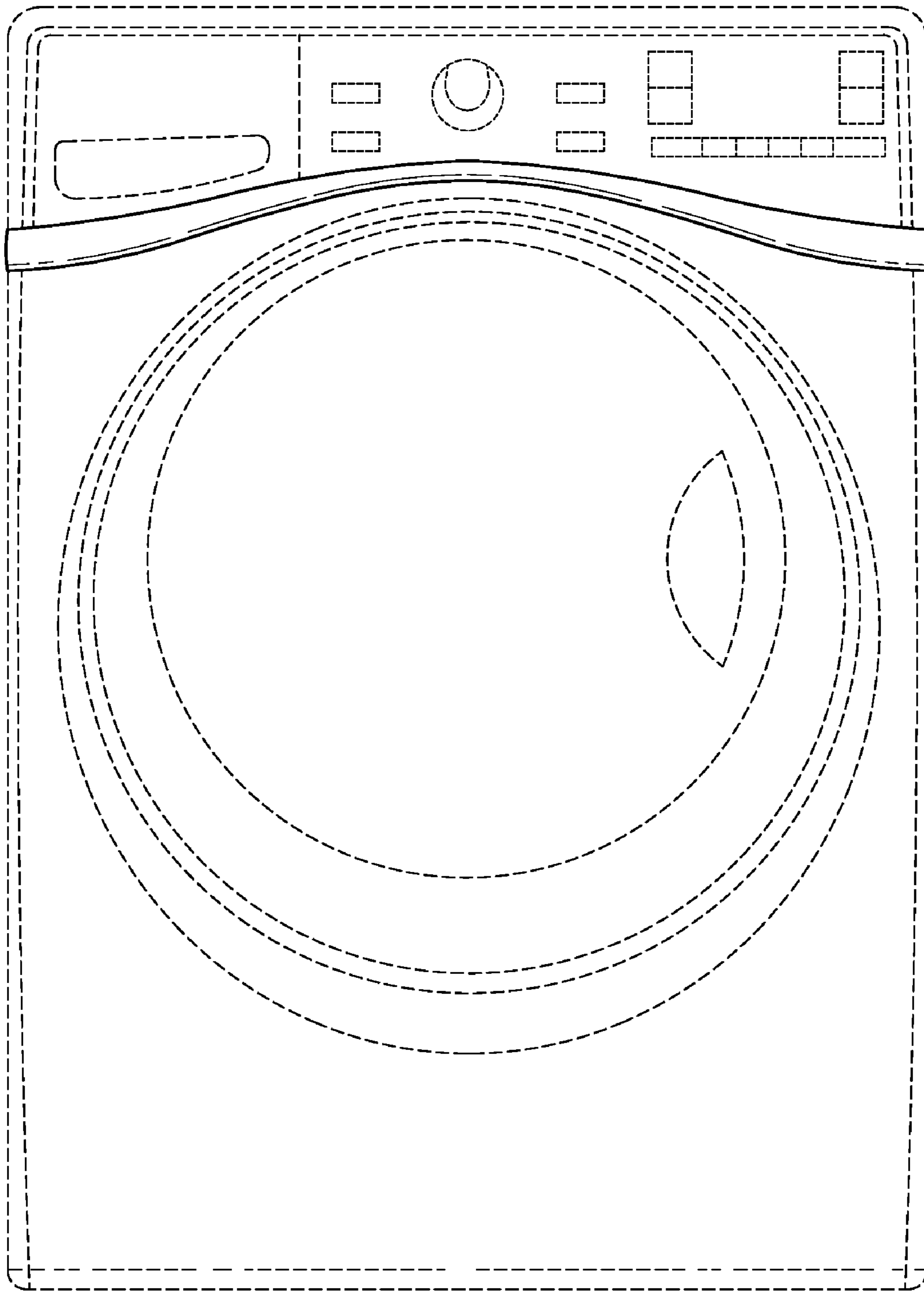


Fig. 2

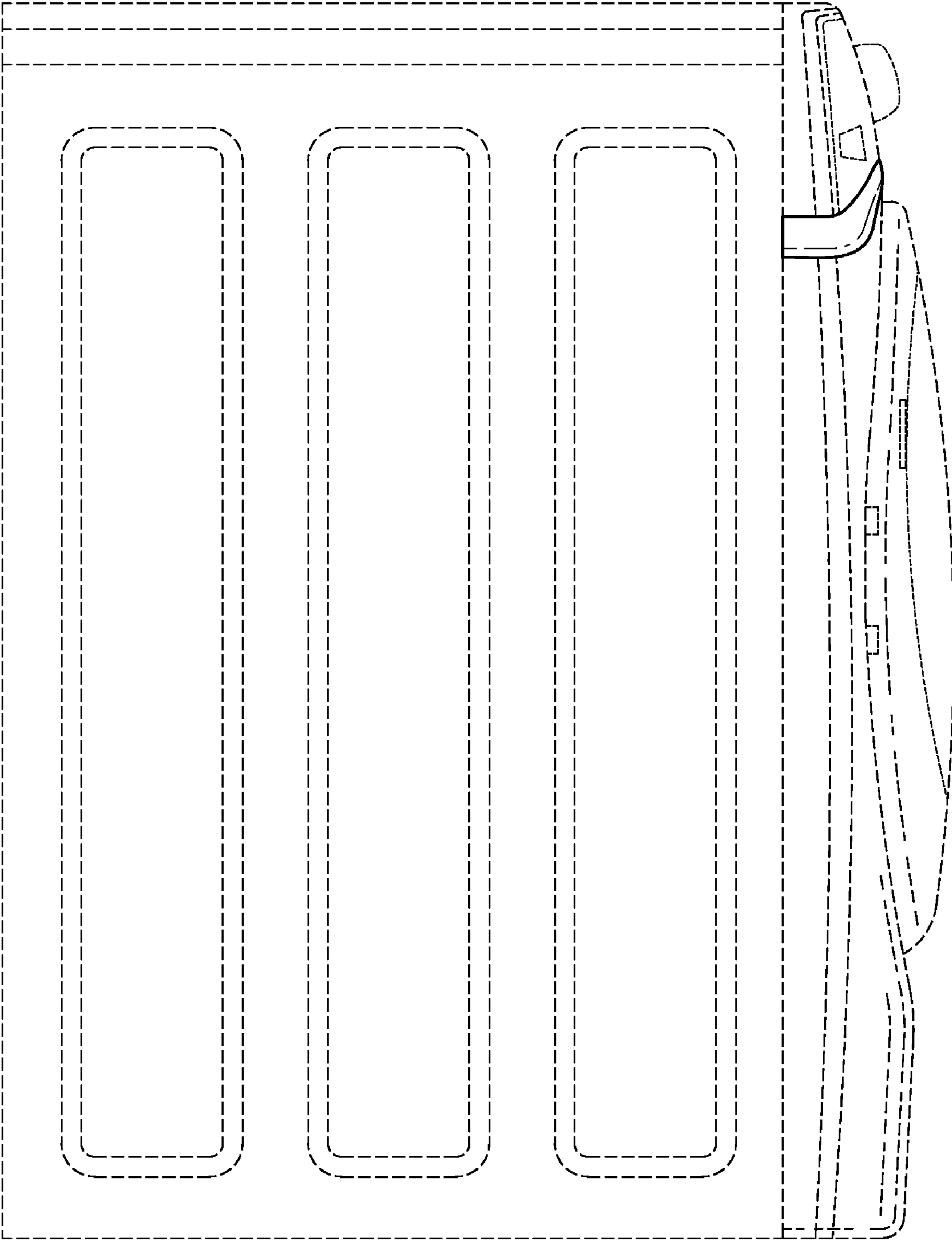


Fig. 3