



US00D619770S

(12) **United States Design Patent**  
**Moore, Jr.**

(10) **Patent No.:** **US D619,770 S**  
(45) **Date of Patent:** **\*\* Jul. 13, 2010**

(54) **COMBINED WET AND DRY VACUUM**

(75) Inventor: **James E. Moore, Jr.**, Las Vegas, NV  
(US)

(73) Assignee: **J.S. Products, Inc.**, Las Vegas, NV (US)

(\*\*) Term: **14 Years**

(21) Appl. No.: **29/314,902**

(22) Filed: **May 6, 2009**

(51) **LOC (9) Cl.** ..... **15-05**

(52) **U.S. Cl.** ..... **D32/24**

(58) **Field of Classification Search** ..... D32/17-18,  
D32/21, 23-24, 31; 15/327, 1, 327.2, 327.4-327.7,  
15/344, 353, 320-321, 412  
See application file for complete search history.

(56) **References Cited**

**U.S. PATENT DOCUMENTS**

D183,192 S *	7/1958	Anderson-Sason	.....	D32/24
4,179,768 A	12/1979	Sawyer		
4,609,387 A	9/1986	Berfield et al.		
4,841,595 A	6/1989	Wiese		
4,939,809 A	7/1990	Park		
4,970,753 A	11/1990	Herron, Jr.		
5,054,157 A	10/1991	Werner et al.		
5,182,834 A	2/1993	Wright et al.		
RE34,325 E	7/1993	Rau et al.		
5,343,590 A	9/1994	Radabaugh		
5,377,383 A	1/1995	Christensen		
5,400,464 A	3/1995	Steiner		
RE34,980 E	6/1995	Rau et al.		
5,535,500 A	7/1996	Stephens et al.		
5,606,769 A	3/1997	Tomasiak et al.		
5,611,107 A	3/1997	Tomasiak et al.		
D386,842 S *	11/1997	Hoshino et al.	.....	D32/21
D389,962 S	1/1998	Berfield et al.		
5,752,289 A	5/1998	Collins		
5,799,362 A *	9/1998	Huffman	.....	15/321
5,855,634 A	1/1999	Berfield		
5,954,863 A	9/1999	Loveless et al.		
5,996,170 A	12/1999	Gierer et al.		
D418,643 S	1/2000	Hoshino		

6,055,700 A	5/2000	Holsten et al.		
6,101,669 A	8/2000	Martin et al.		
6,110,248 A	8/2000	Liu		
6,113,663 A	9/2000	Liu		
6,115,881 A	9/2000	Hult et al.		
D432,746 S *	10/2000	Frey	.....	D32/24
D443,119 S	5/2001	Sung		
6,321,410 B1	11/2001	Holsten		
6,324,723 B1	12/2001	Dodson et al.		
6,370,730 B1	4/2002	Young et al.		
6,440,191 B1	8/2002	Berfield et al.		
6,451,078 B2	9/2002	Berfield et al.		
6,484,351 B2	11/2002	Griffin et al.		

(Continued)

**OTHER PUBLICATIONS**

Rigid 4 Gal. Vac., <http://www.ridgid.com>, Jun. 9, 2008.

(Continued)

*Primary Examiner*—Ruth McInroy  
(74) *Attorney, Agent, or Firm*—Weide & Miller, Ltd.

(57) **CLAIM**

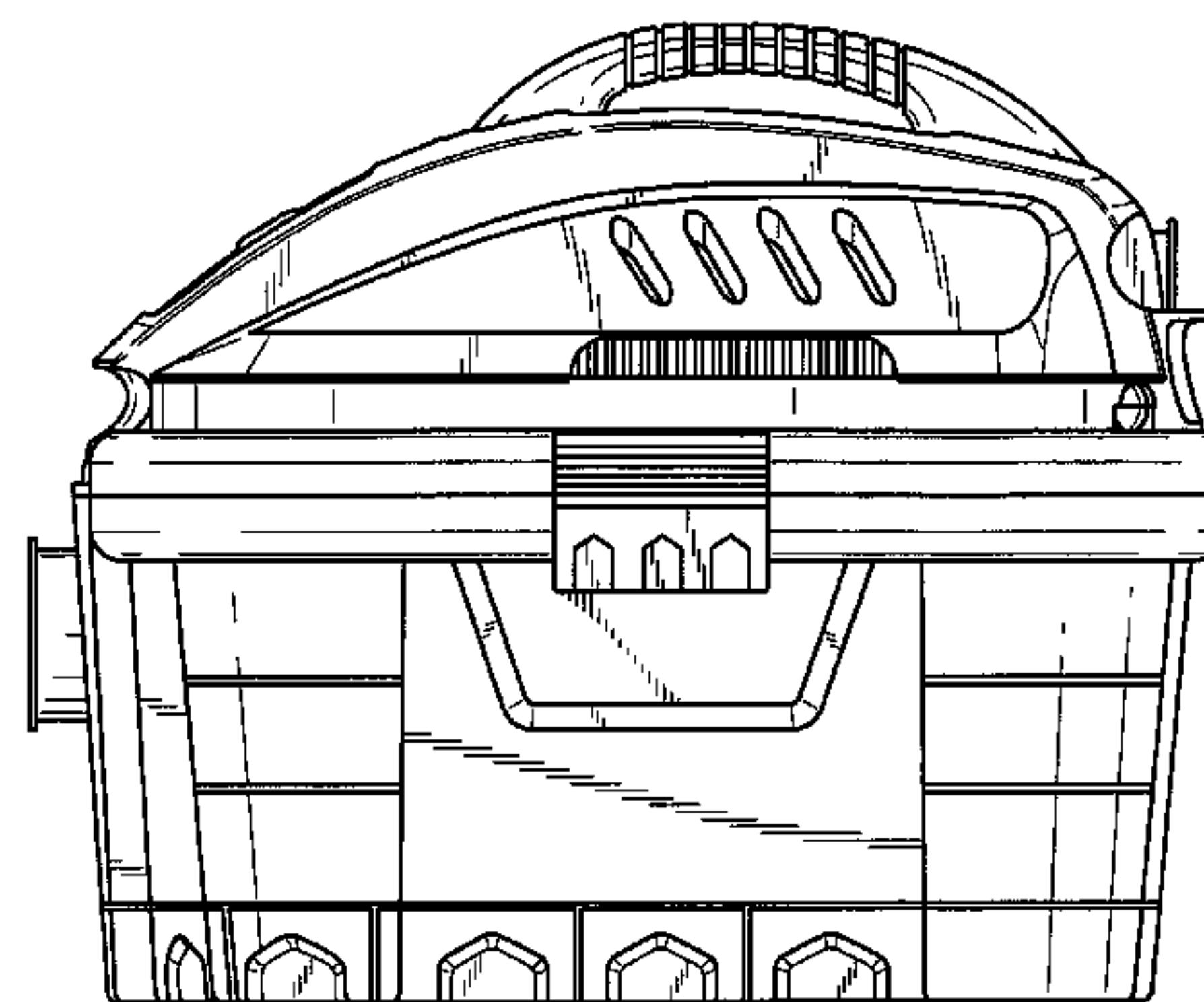
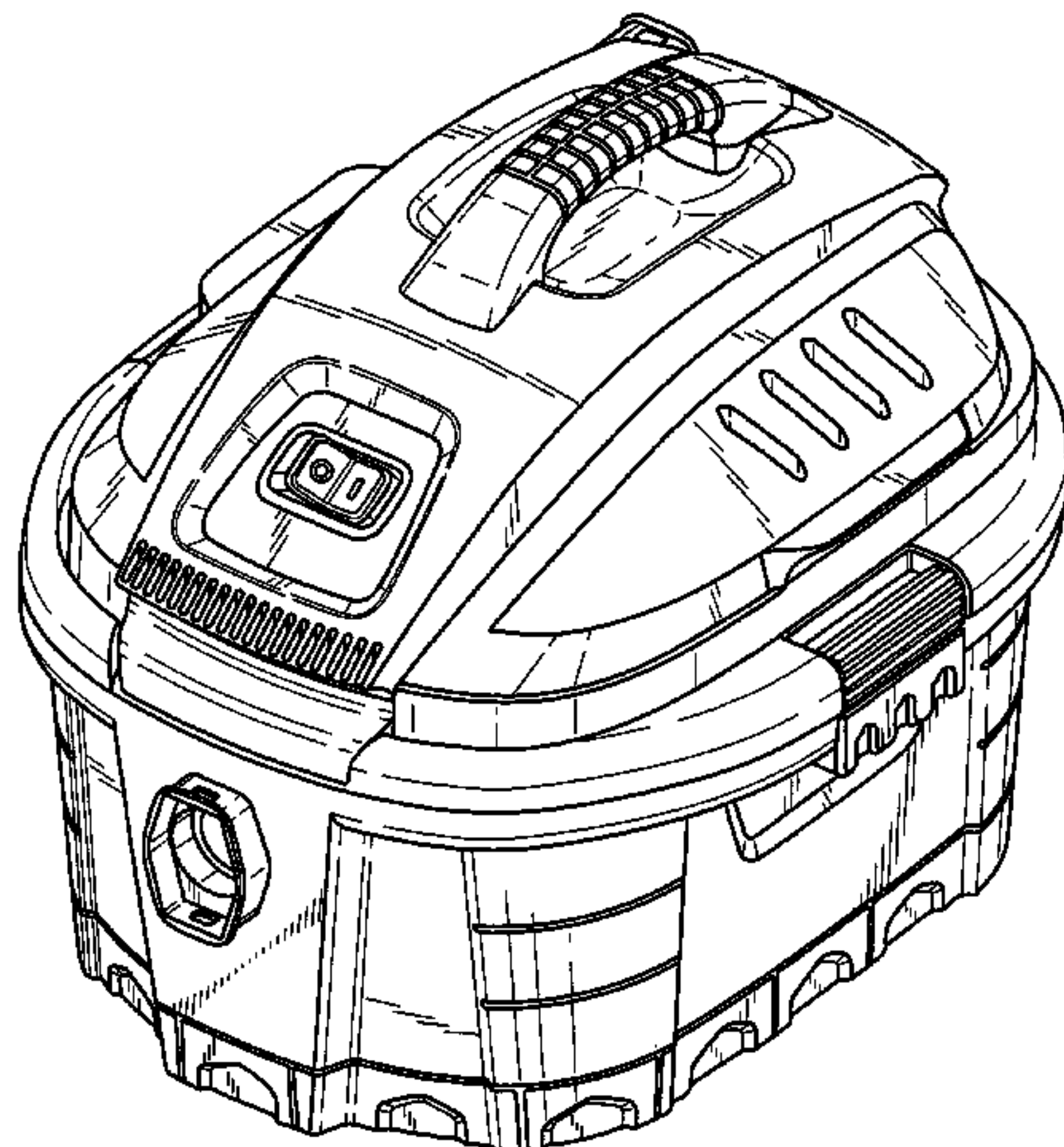
The ornamental design for a combined wet and dry vacuum, as shown and described.

**DESCRIPTION**

FIG. 1 is a front isometric view of a combined wet and dry vacuum showing my new design;  
FIG. 2 is a front elevation view thereof;  
FIG. 3 is a rear elevation view thereof;  
FIG. 4 is a left side elevation view thereof;  
FIG. 5 is a right side elevation view thereof;  
FIG. 6 is a top plan view thereof; and,  
FIG. 7 is a bottom plan view thereof.

The portions of the design shown in dotted line form no portion of the claimed design.

**1 Claim, 7 Drawing Sheets**



# US D619,770 S

## U.S. PATENT DOCUMENTS

D467,693 S \* 12/2002 Kitts ..... D32/21  
 D467,694 S \* 12/2002 Kitts ..... D32/21  
 6,488,744 B2 12/2002 Cartellone  
 D469,934 S 2/2003 Fry et al.  
 D470,279 S 2/2003 Griffin et al.  
 D470,280 S 2/2003 Griffin et al.  
 D470,281 S 2/2003 Griffin et al.  
 6,517,596 B2 2/2003 Dodson et al.  
 6,530,116 B2 3/2003 Berfield et al.  
 6,547,856 B2 4/2003 Cartellone  
 D479,372 S 9/2003 Griffin  
 6,691,396 B2 2/2004 Martin et al.  
 6,702,332 B2 3/2004 Young et al.  
 D492,823 S 7/2004 Hoshino et al.  
 D492,824 S 7/2004 Tomasiak et al.  
 D496,764 S \* 9/2004 Lopano ..... D32/21  
 6,807,706 B2 10/2004 Fernandez-Grandizo Martinez  
 D506,042 S 6/2005 Griffin et al.  
 D507,386 S 7/2005 Griffin et al.  
 6,912,757 B2 7/2005 Kaufman et al.  
 6,938,299 B2 9/2005 Martinez et al.  
 6,949,134 B2 9/2005 Song  
 7,018,438 B2 3/2006 Duggan  
 D519,251 S 4/2006 Hoshino et al.  
 D527,504 S 8/2006 Griffin et al.  
 D528,256 S 9/2006 Beth et al.  
 D528,718 S 9/2006 Tomasiak et al.  
 7,134,694 B2 11/2006 Young et al.  
 D537,992 S \* 3/2007 Hoshino ..... D32/24  
 7,291,195 B2 11/2007 Gierer  
 D558,410 S 12/2007 Hill et al.  
 7,306,640 B2 12/2007 Kuroki et al.  
 D564,154 S 3/2008 Hollis et al.  
 D568,010 S 4/2008 Crevling, Jr. et al.  
 D568,564 S 5/2008 Griffin et al.  
 D569,066 S 5/2008 Crevling, Jr. et al.  
 7,374,594 B2 5/2008 Gierer  
 7,374,595 B2 5/2008 Gierer  
 D581,609 S \* 11/2008 Conrad et al. .... D32/21

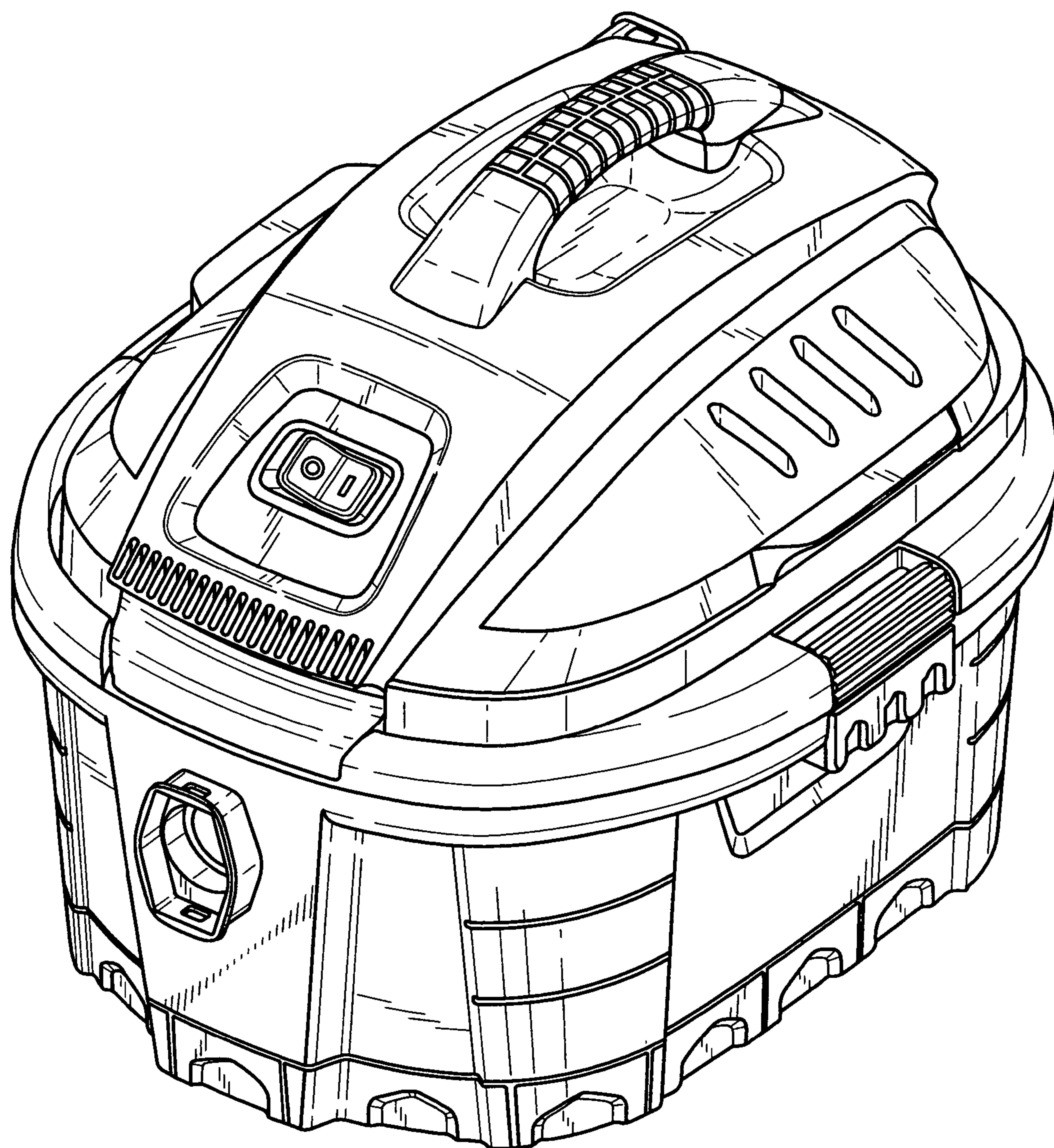
D595,910 S \* 7/2009 Hollis et al. .... D32/21  
 D596,359 S \* 7/2009 Hollis et al. .... D32/21  
 2002/0069627 A1 6/2002 Park  
 2002/0129706 A1 9/2002 Cartellone  
 2003/0233817 A1 12/2003 Park  
 2004/0148914 A1 8/2004 Lim et al.  
 2004/0155455 A1 8/2004 Young et al.  
 2007/0113525 A1 5/2007 Gierer  
 2007/0113526 A1 5/2007 Gierer  
 2007/0113529 A1 5/2007 Gierer

## OTHER PUBLICATIONS

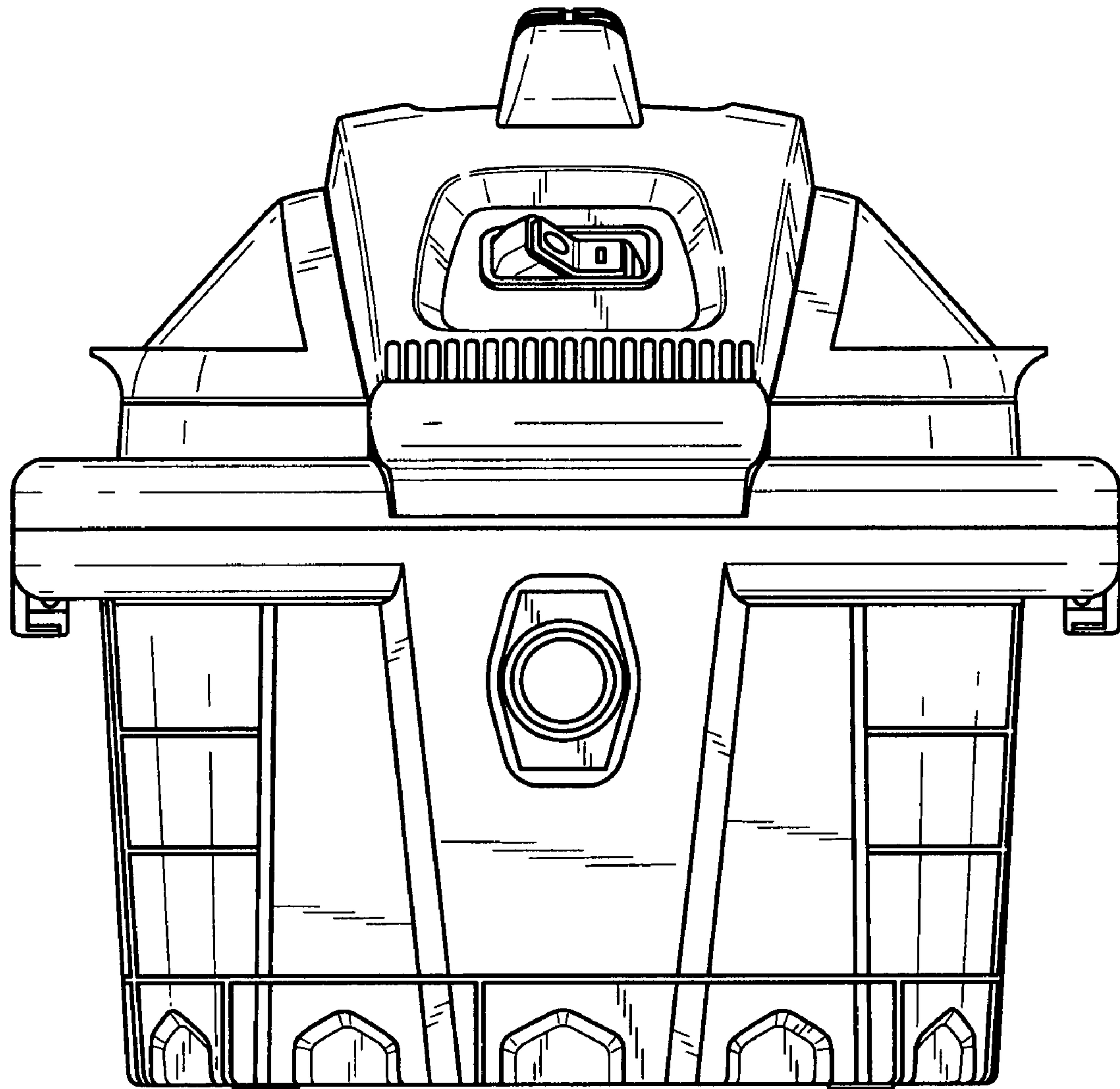
Sears 5 Gal. Shop Vac., <http://www.sears.com>, Jun. 6, 2008.  
 Rigid 4 Gal. 5.0 Peak HP Portable Pro Vac., <http://www.homedepot.com>, May 21, 2008.  
 Craftsman Clean N Carry 2 Ga. Wet-Dry Vac., <http://www.sears.com>, May 21, 2008.  
 DeWalt 2 Gal. Wet-Dry Vac., <http://www.sears.com>, May 21, 2008.  
 Ryobi 18v Canister Vac., <http://www.homedepot.com>, May 21, 2008.  
 Stinger 2.5 Gal. 1¾ HP Wet/Dry Vac., <http://www.homedepot.com>, May 21, 2008.  
 goClean Household Wet/Dry Vac., <http://www.sears.com>, May 21, 2008.  
 Shopvac 5 Gal. 5.5 HP Heavy Duty Portable Wet/Dry Vac., <http://www.sears.com>, May 21, 2008.  
 Craftsman Clean N Carry 4 Gal. Wet-Dry Vac., 5.0 Peak HP, <http://www.sears.com>, May 21, 2008.  
 Shop-Vac Quiet Series, <http://www.shopvac.com>, May 21, 2008.  
 Shop-Vac Floormaster, <http://www.shopvac.com>, May 21, 2008.  
 Shop-Vac AllAround, <http://www.shopvac.com>, May 21, 2008.  
 Shop-Vac Brute Portable, <http://www.shopvac.com>, May 21, 2008.  
 Shop-Vac Heavy Duty Portable, <http://www.shopvac.com>, May 21, 2008.  
 Shop-Vac 5 Gal. 5.5 Peak HP Heavy-Duty Portable Wet/Dry Vac., <http://www.lowes.com>, May 21, 2008.  
 Shop-Vac 2.5 Ga. 2.5 Peak HP Wet/Dry Vac., <http://www.lowes.com>, May 21, 2008.

\* cited by examiner

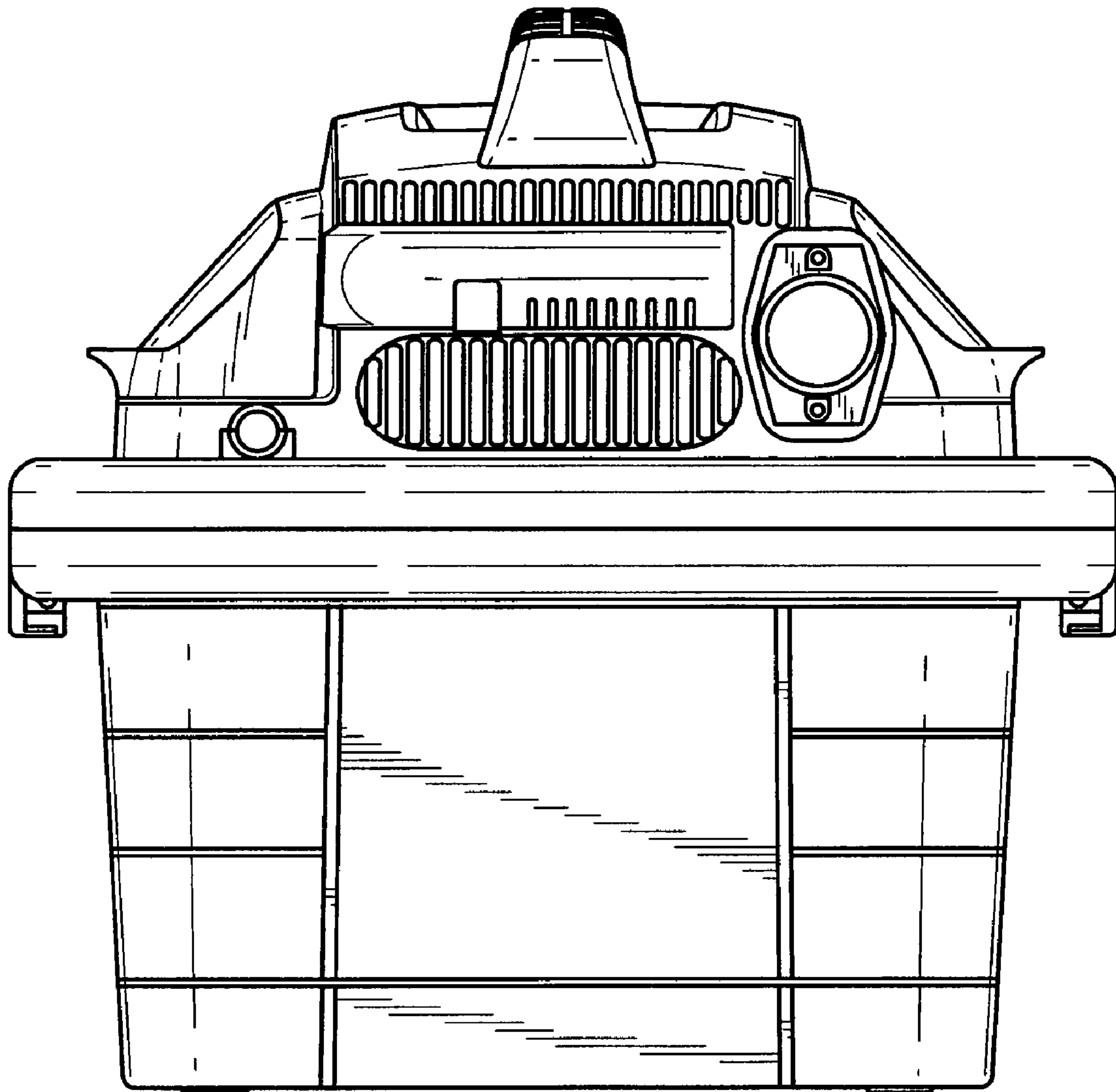




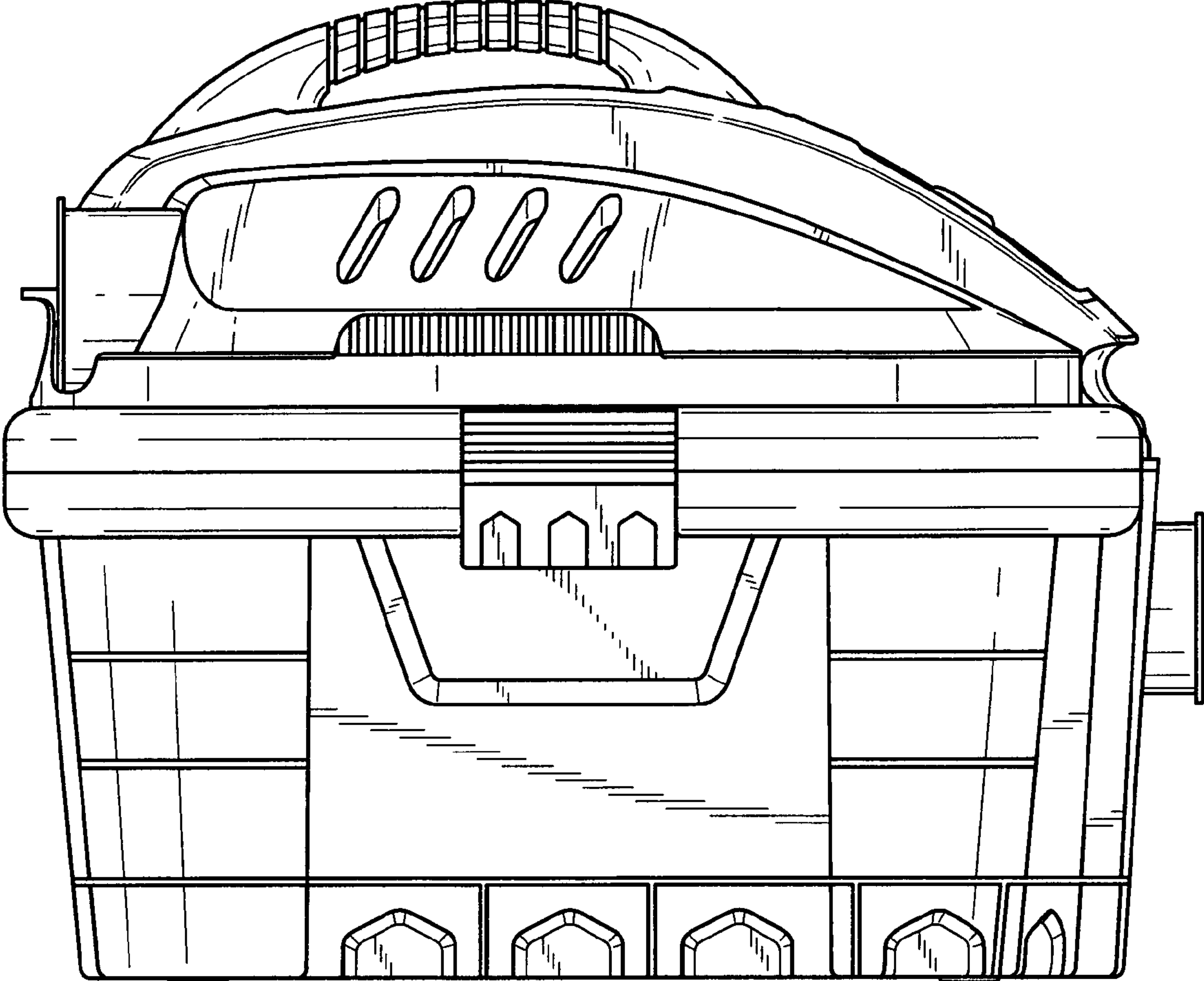
**FIG. 1**



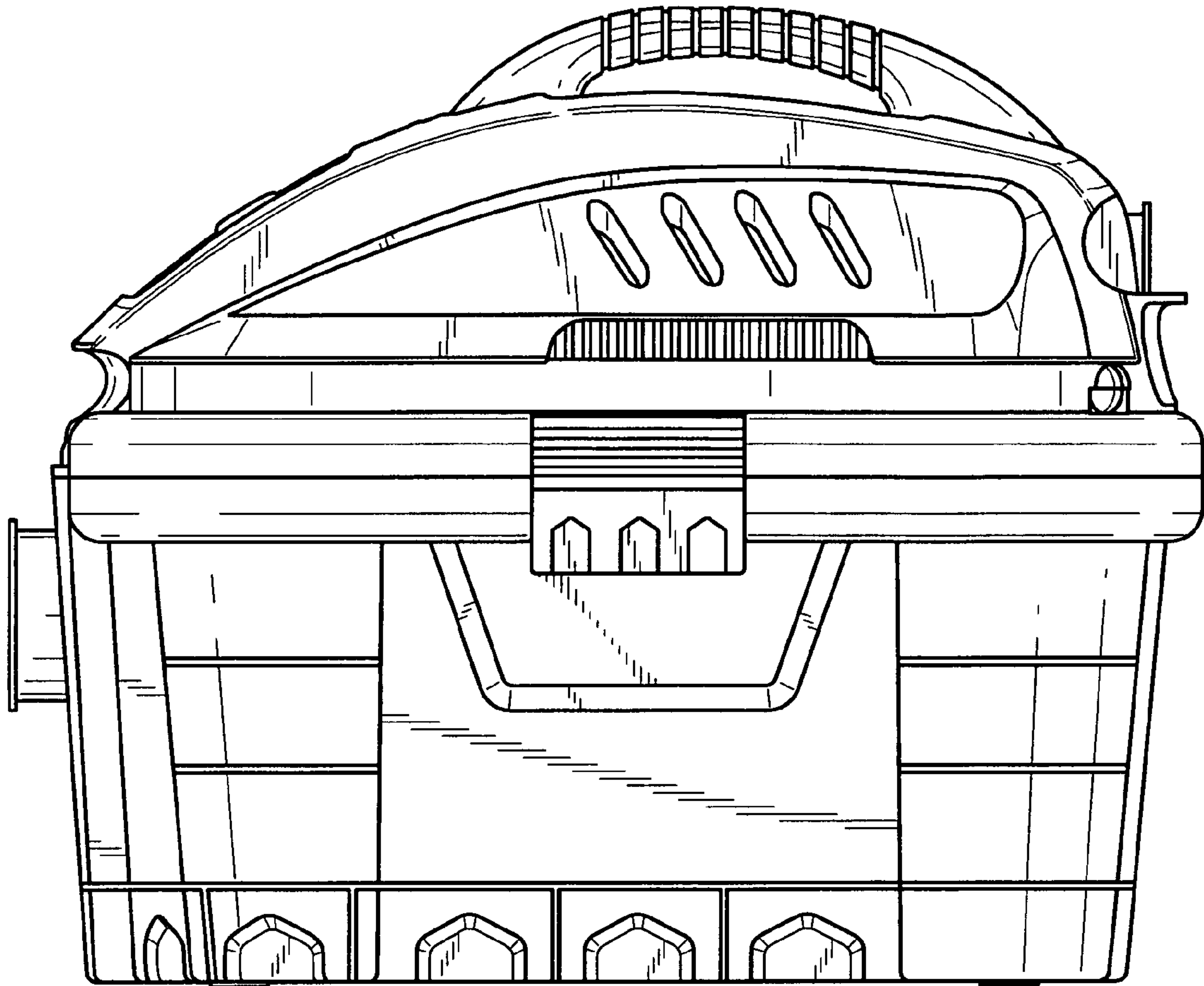
**FIG. 2**



**FIG. 3**

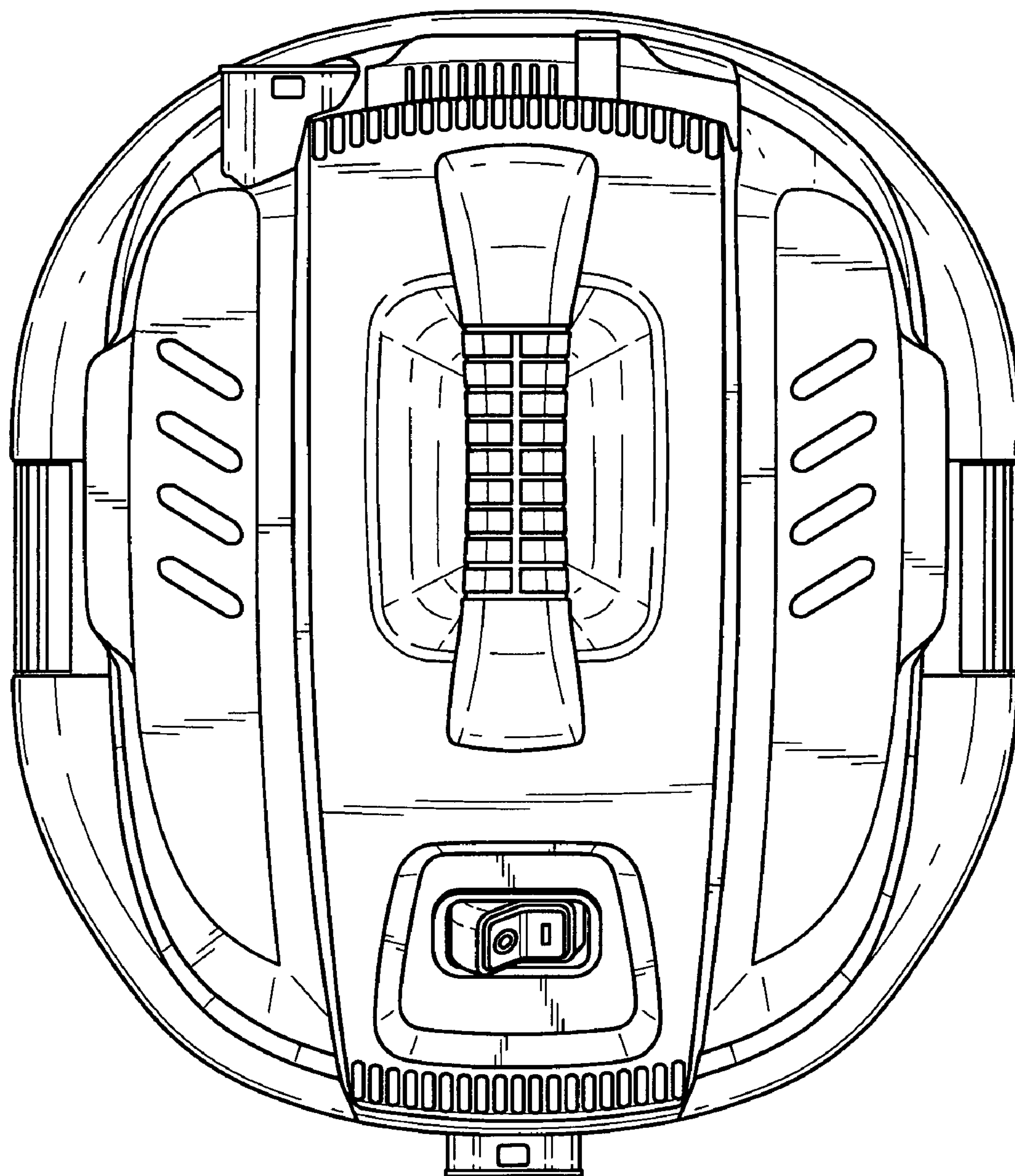


**FIG. 4**



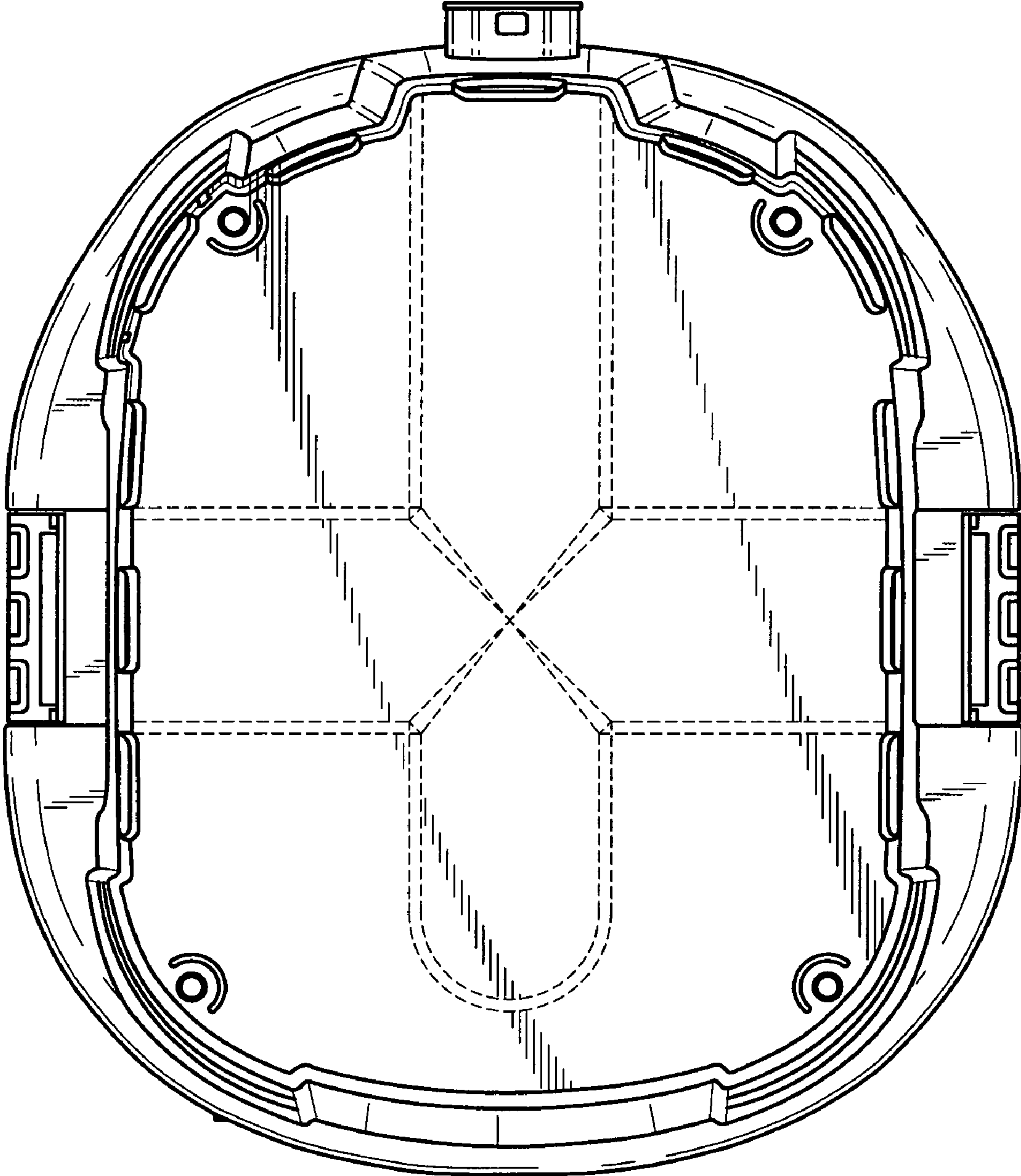
**FIG. 5**





**FIG. 6**





**FIG. 7**