



US00D619769S

(12) **United States Design Patent**
Svantesson

(10) **Patent No.:** **US D619,769 S**

(45) **Date of Patent:** **** Jul. 13, 2010**

(54) **VACUUM CLEANER**

(75) Inventor: **Esbjörn Svantesson, Täby (SE)**

(73) Assignee: **Aktiebolaget Electrolux, Stockholm (SE)**

(**) Term: **14 Years**

(21) Appl. No.: **29/342,438**

(22) Filed: **Aug. 25, 2009**

(30) **Foreign Application Priority Data**

Mar. 20, 2009 (EM) 001110019

(51) **LOC (9) Cl.** **15-05**

(52) **U.S. Cl.** **D32/21**

(58) **Field of Classification Search** D32/17,
D32/18, 21-24, 31; 15/327, 1, 327.2, 327.4-327.7,
15/344, 353, 320-321, 412

See application file for complete search history.

(56) **References Cited**

U.S. PATENT DOCUMENTS

D485,653 S *	1/2004	Warburton	D32/21
D520,198 S *	5/2006	Sung	D32/21
D559,482 S *	1/2008	Jansson et al.	D32/21
D584,463 S *	1/2009	Jansson et al.	D32/21
D599,512 S *	9/2009	Lee et al.	D32/21
D600,415 S	9/2009	Svantesson		

FOREIGN PATENT DOCUMENTS

EM	000010681-0001	7/2003
EM	000833165-0001	7/2008

OTHER PUBLICATIONS

U.S. Appl. No. 29/338,392, filed Jun. 10, 2009.

* cited by examiner

Primary Examiner—Ruth McInroy

(74) *Attorney, Agent, or Firm*—Banner & Witcoff, Ltd.

(57) **CLAIM**

The ornamental design for a vacuum cleaner, as shown and described.

DESCRIPTION

FIG. 1 is a perspective view of a vacuum cleaner showing my new design;

FIG. 2 is a front view thereof;

FIG. 3 is a right side view thereof;

FIG. 4 is a left side view thereof;

FIG. 5 is a rear view thereof;

FIG. 6 is a top plan view thereof;

FIG. 7 is a bottom view thereof;

FIG. 8 is a perspective view of a vacuum cleaner of FIGS. 1-7 showing my new design with various regions disclaimed;

FIG. 9 is a front view thereof;

FIG. 10 is a right side view thereof;

FIG. 11 is a left side view thereof;

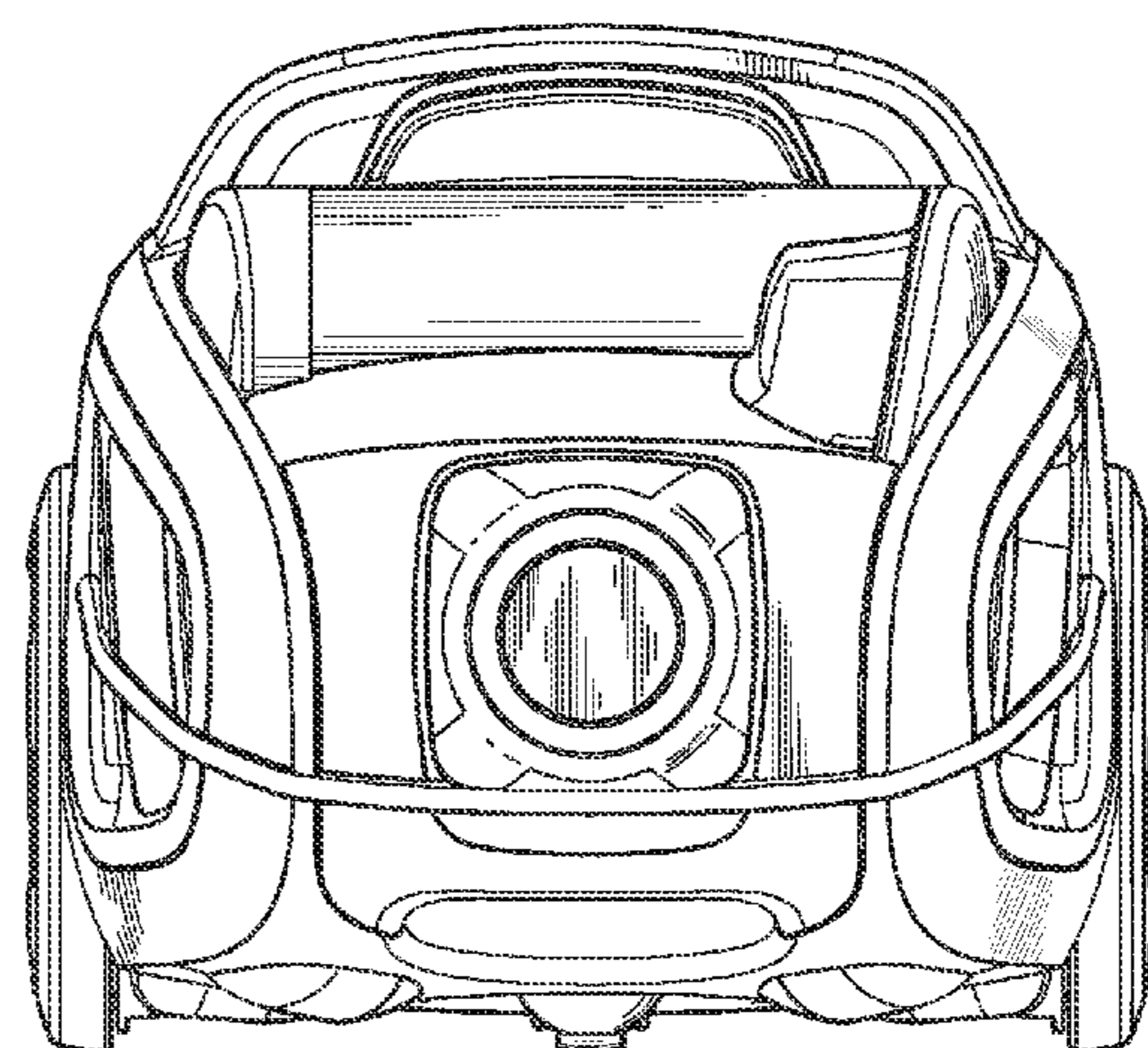
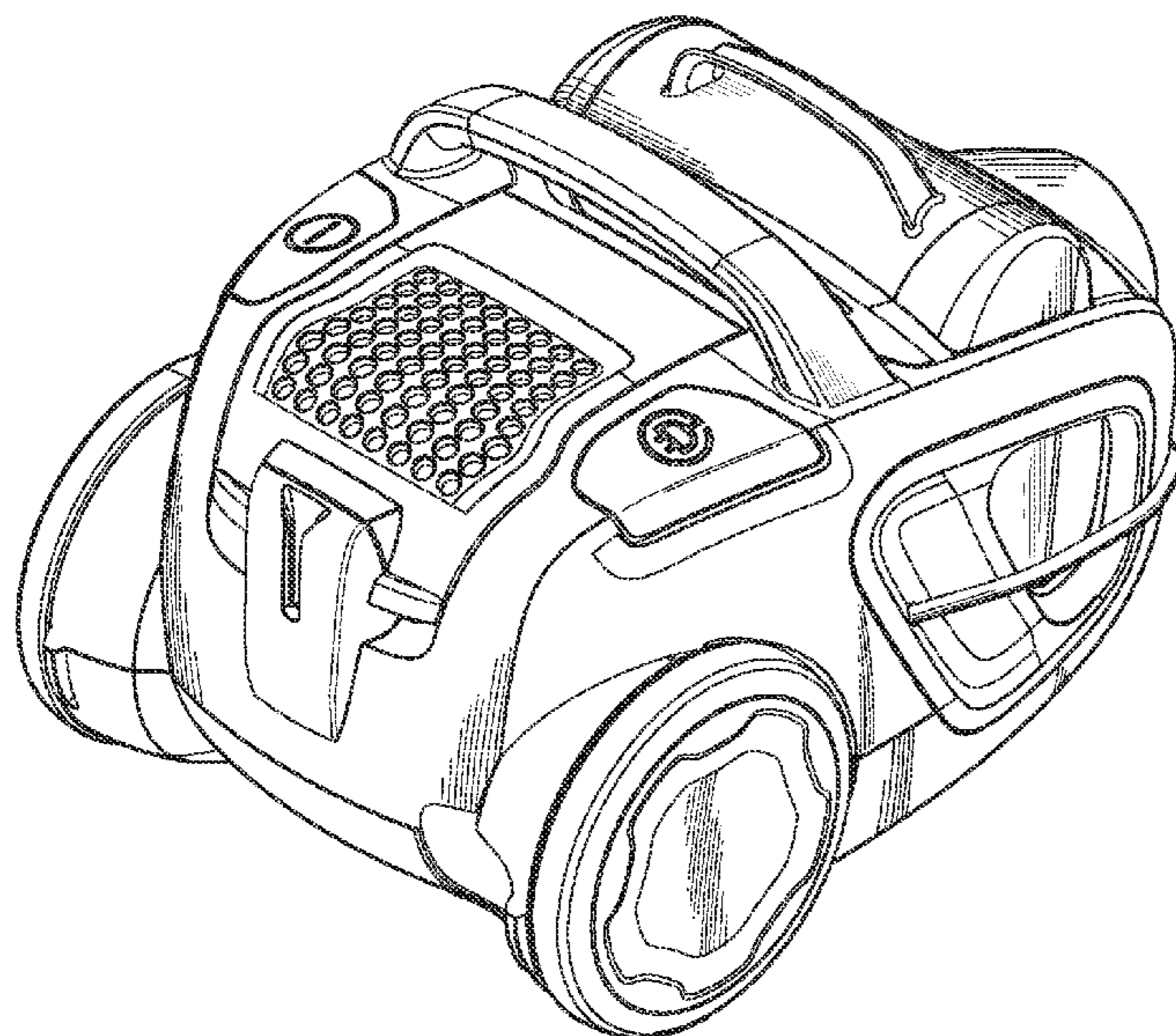
FIG. 12 is a rear view thereof;

FIG. 13 is a top plan view thereof; and,

FIG. 14 is a bottom view thereof.

The broken line showing of various regions of FIGS. 8-14 is for environmental purposes only and forms no part of the claimed design.

1 Claim, 8 Drawing Sheets



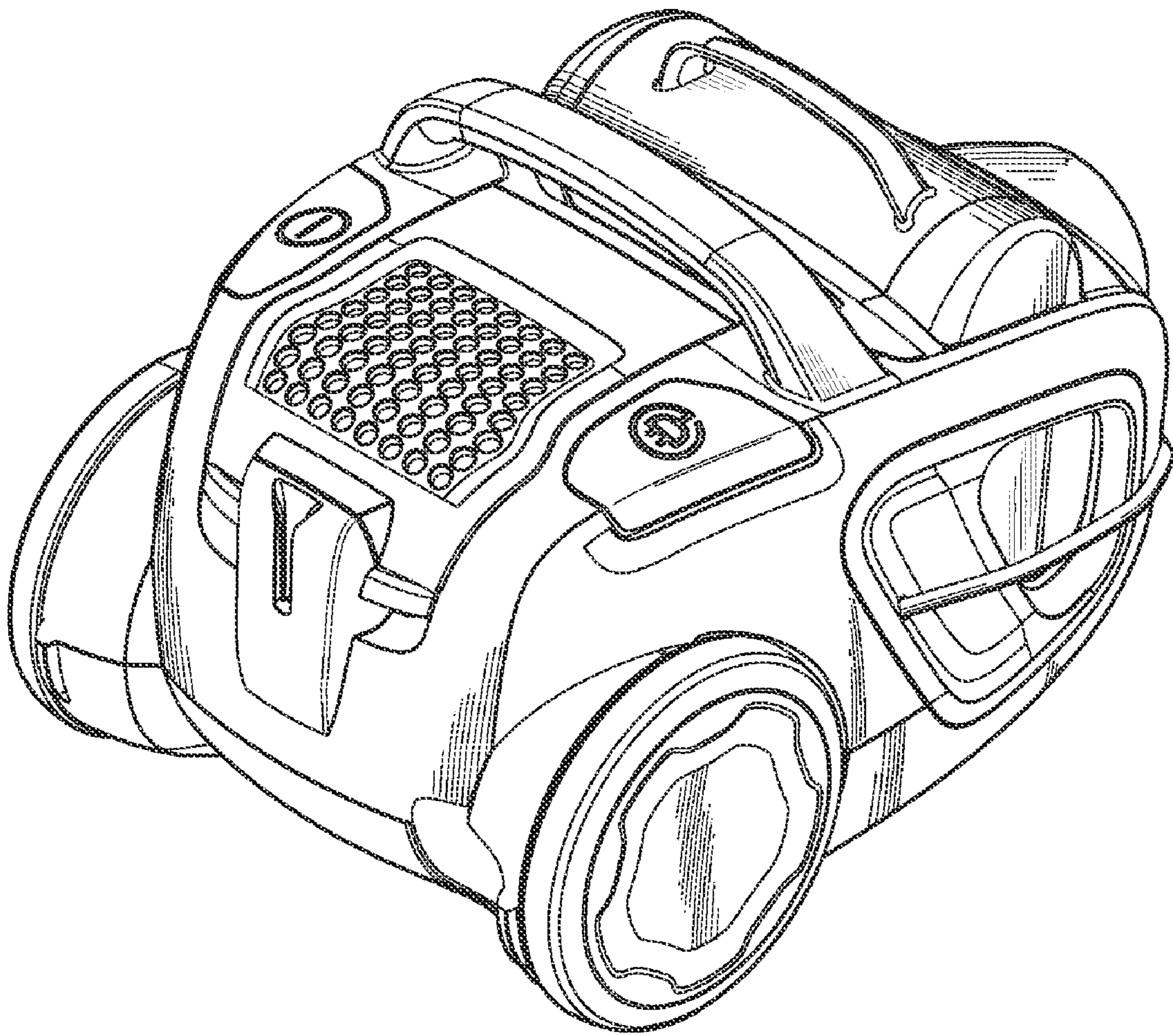


Fig. 1

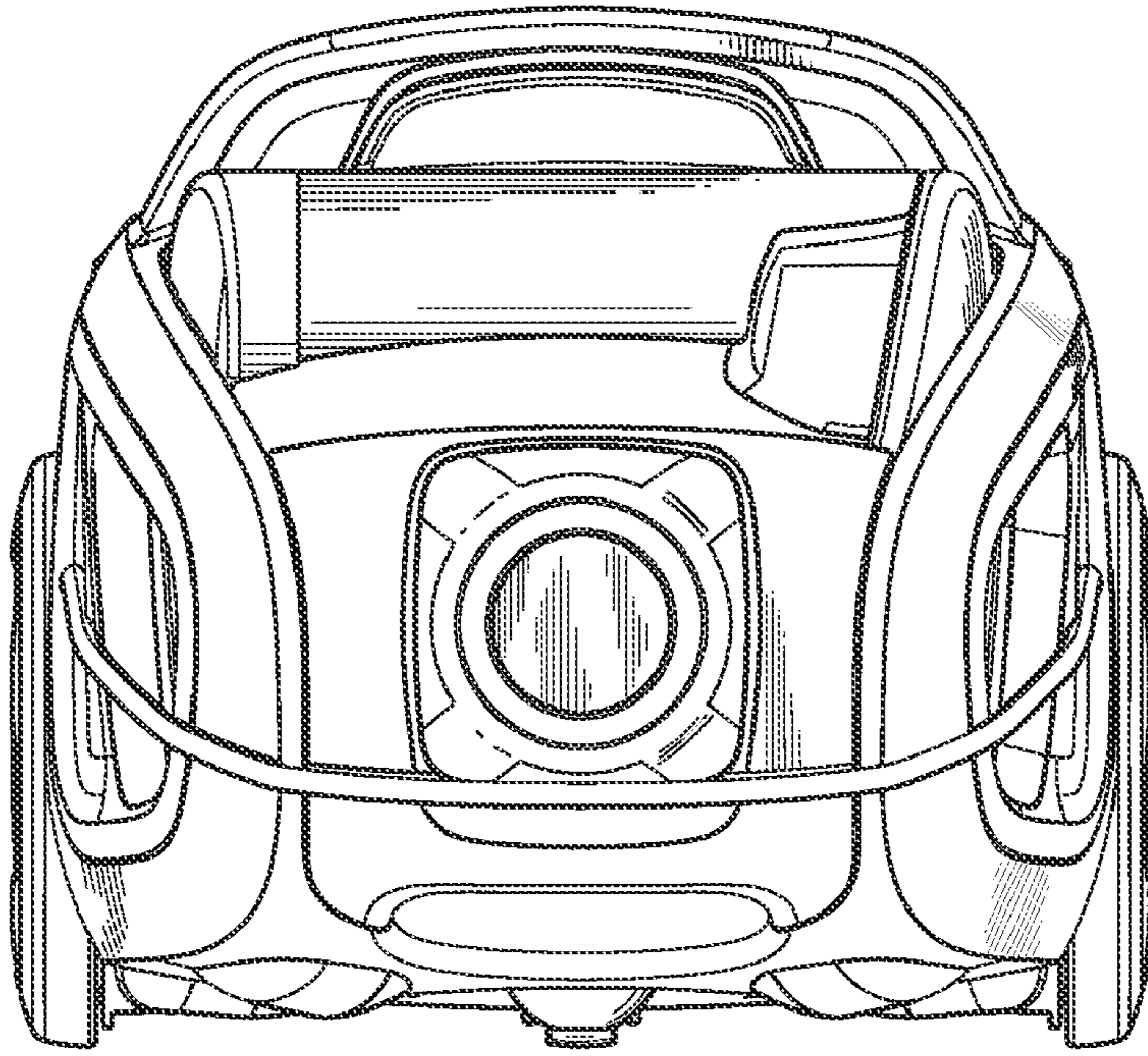


Fig. 2

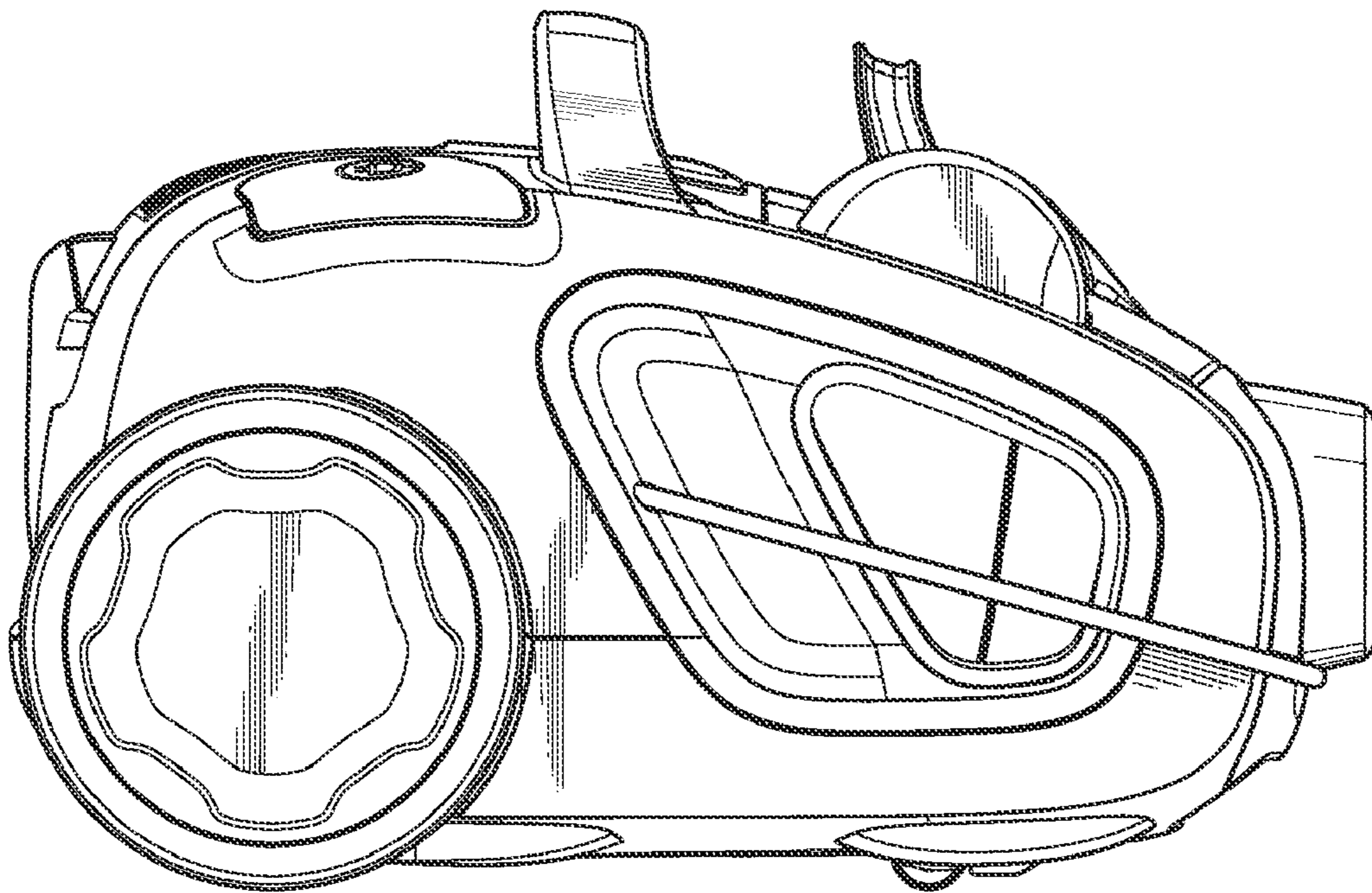


Fig. 3

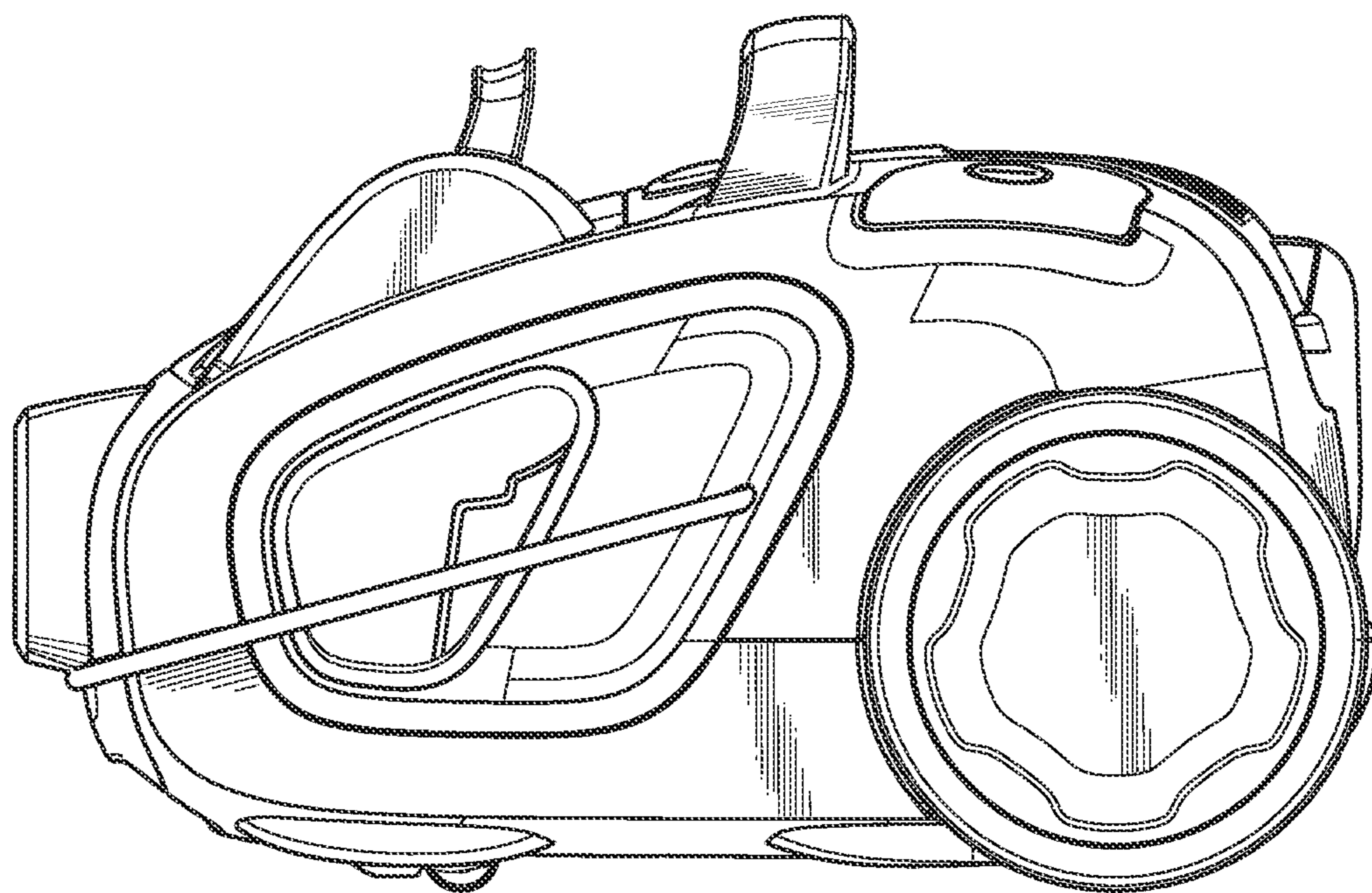


Fig. 4

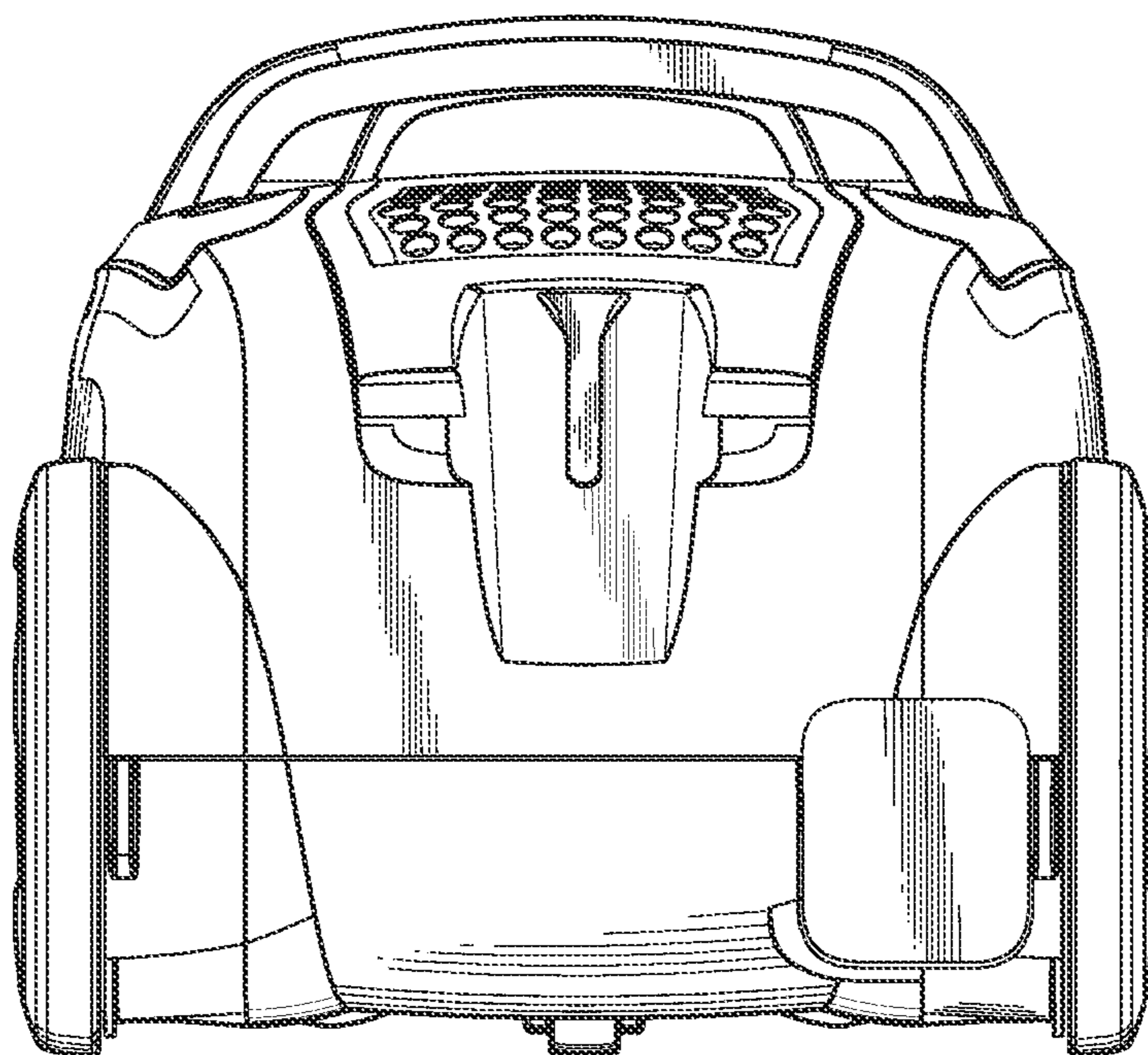


Fig. 5

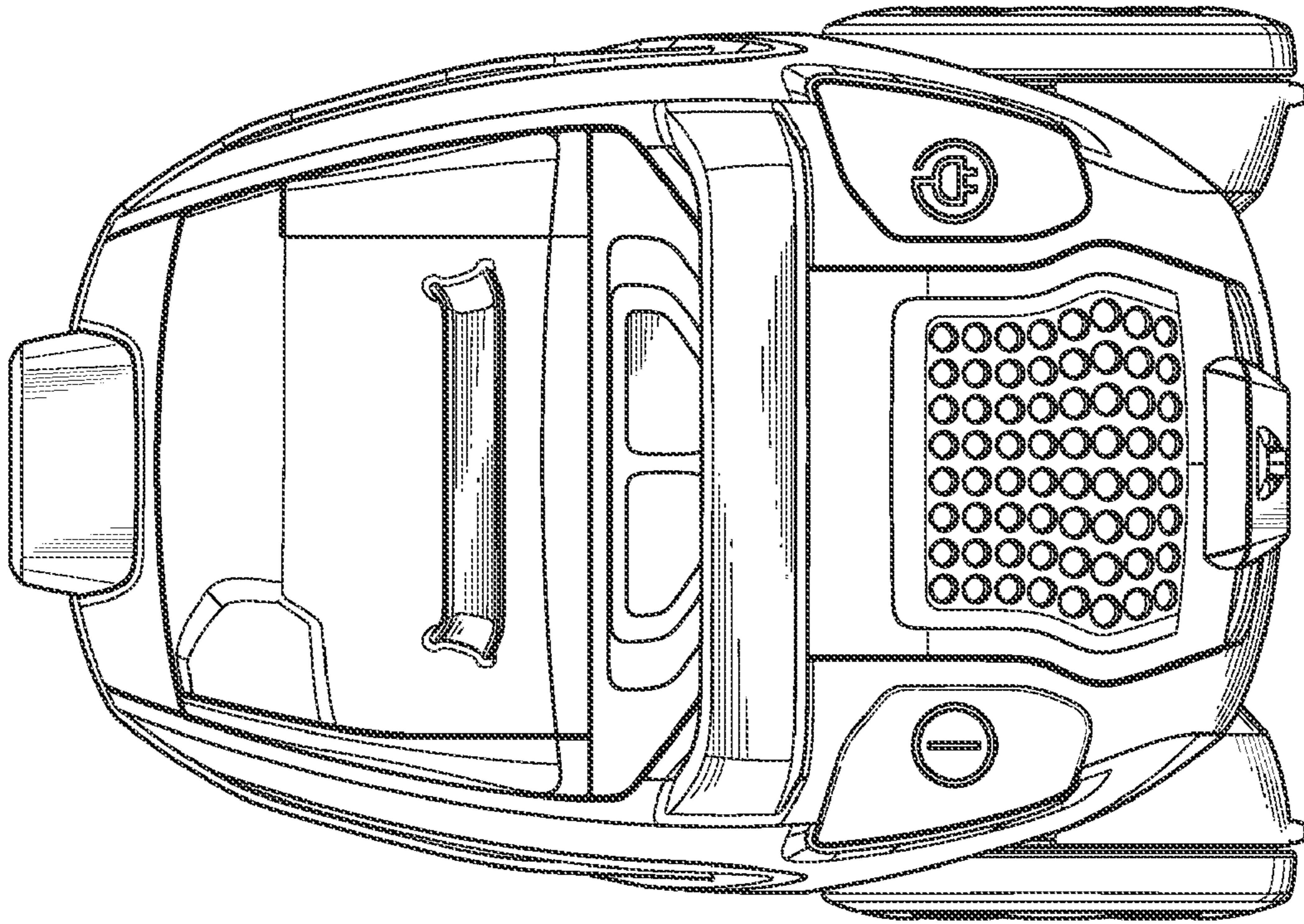


Fig. 6

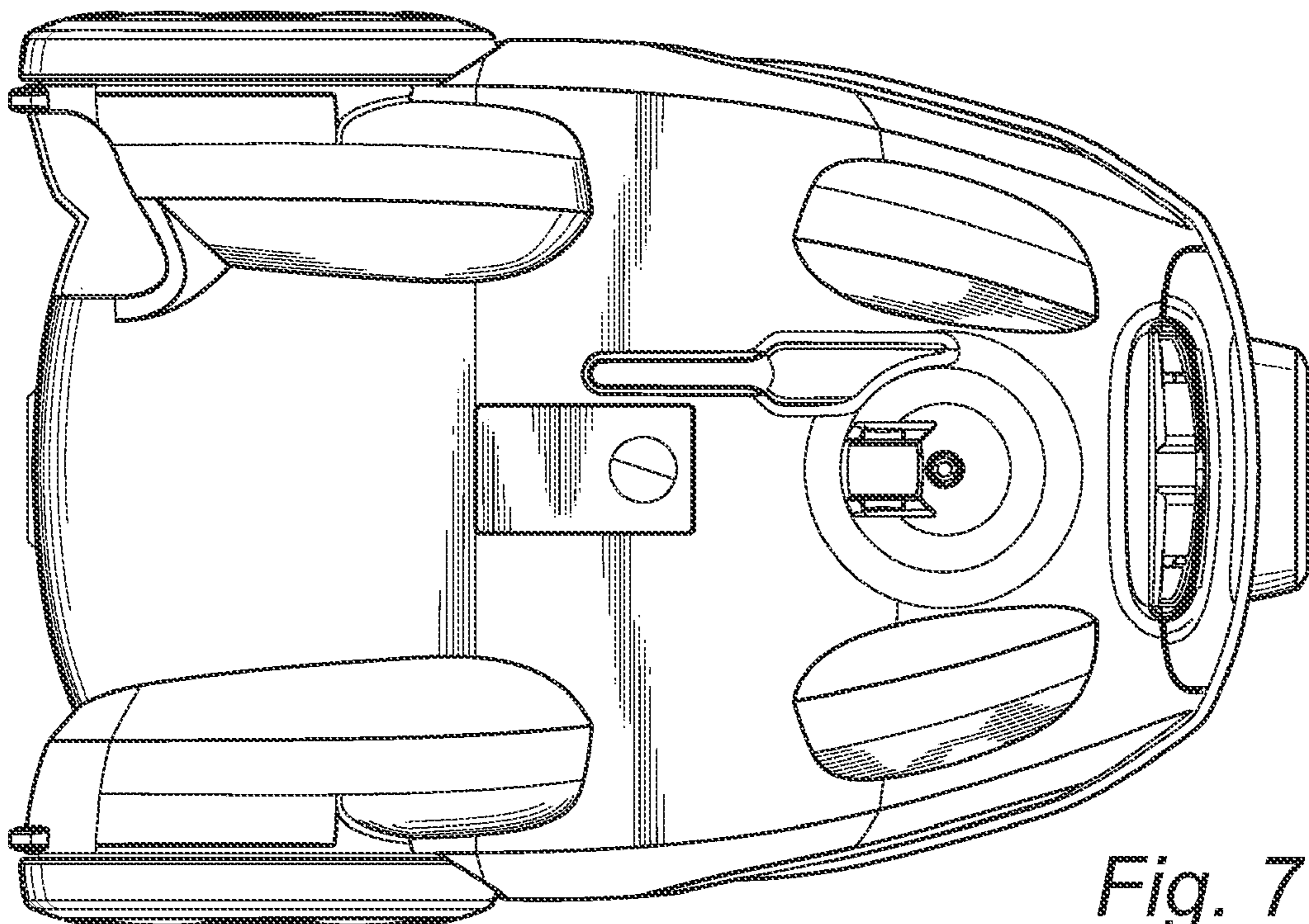


Fig. 7

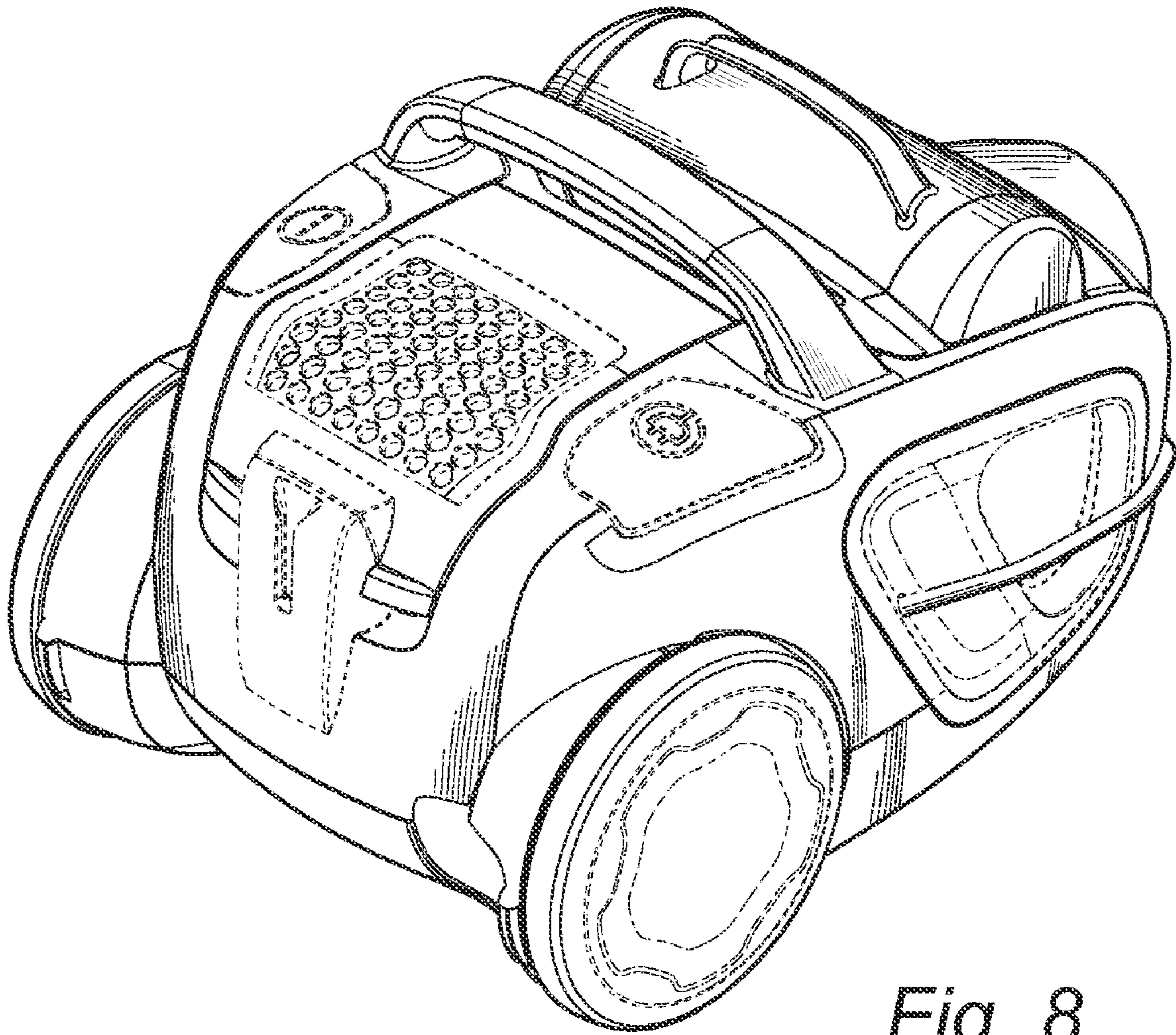


Fig. 8

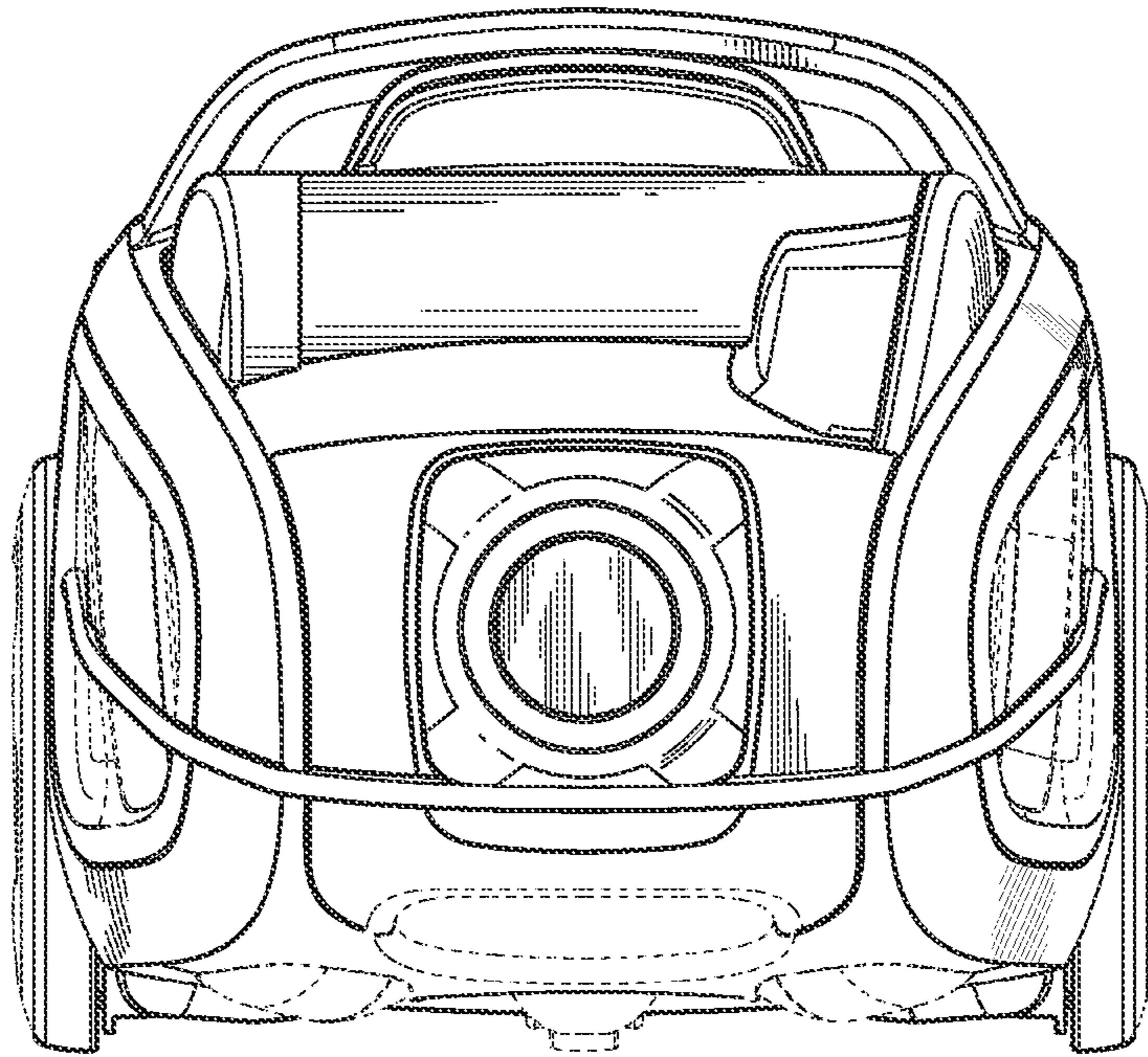


Fig. 9

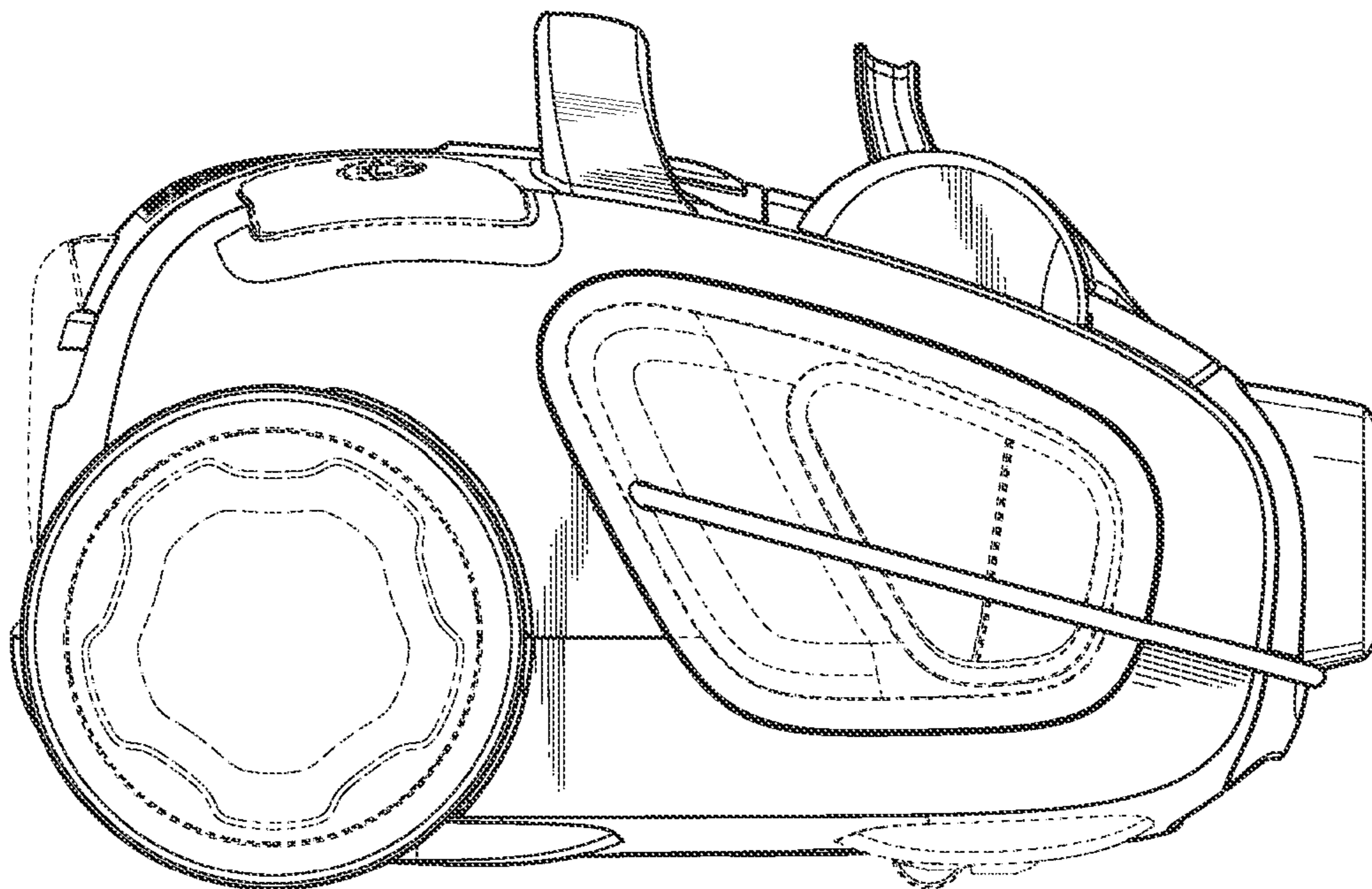


Fig. 10

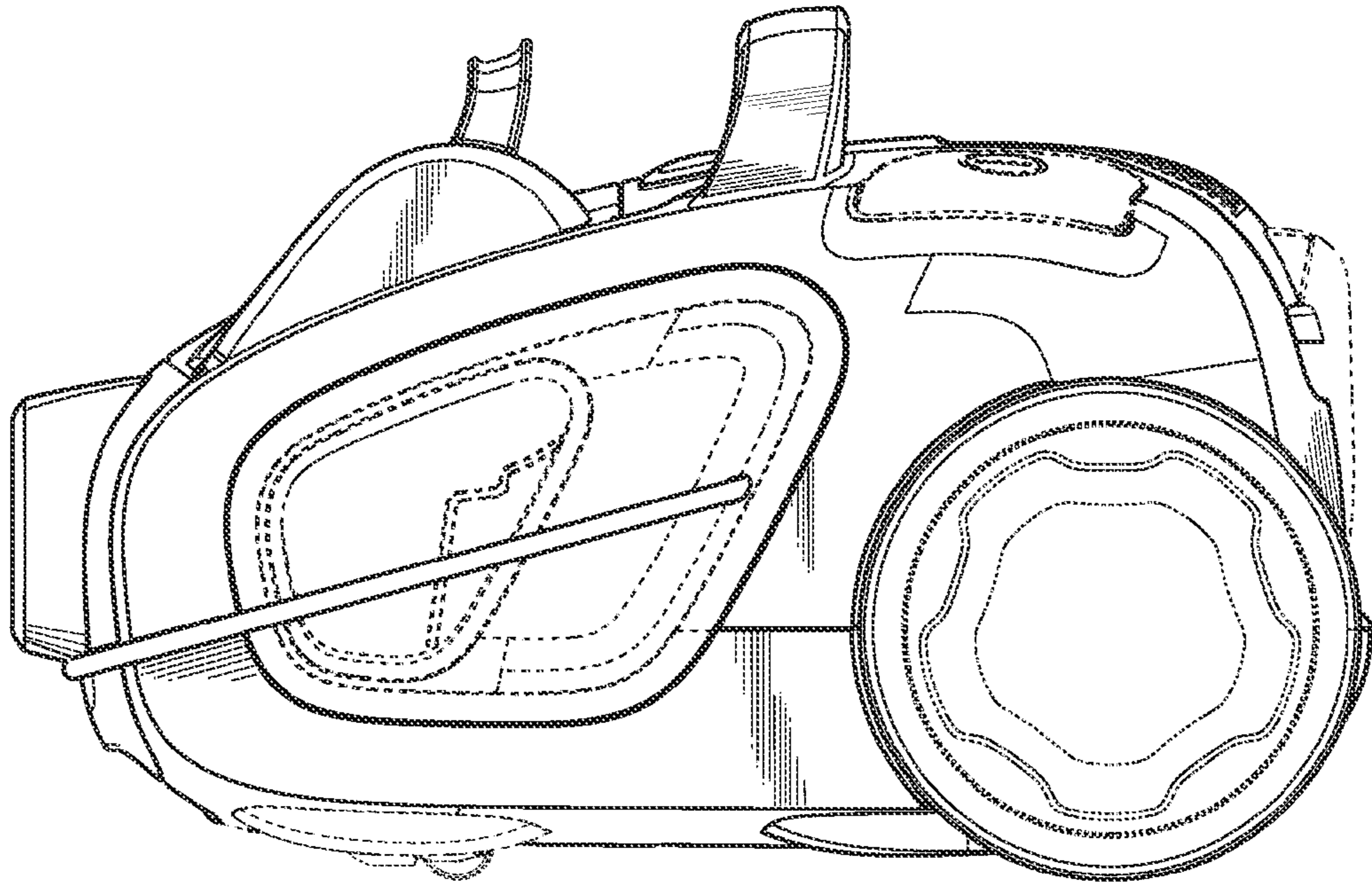


Fig. 11

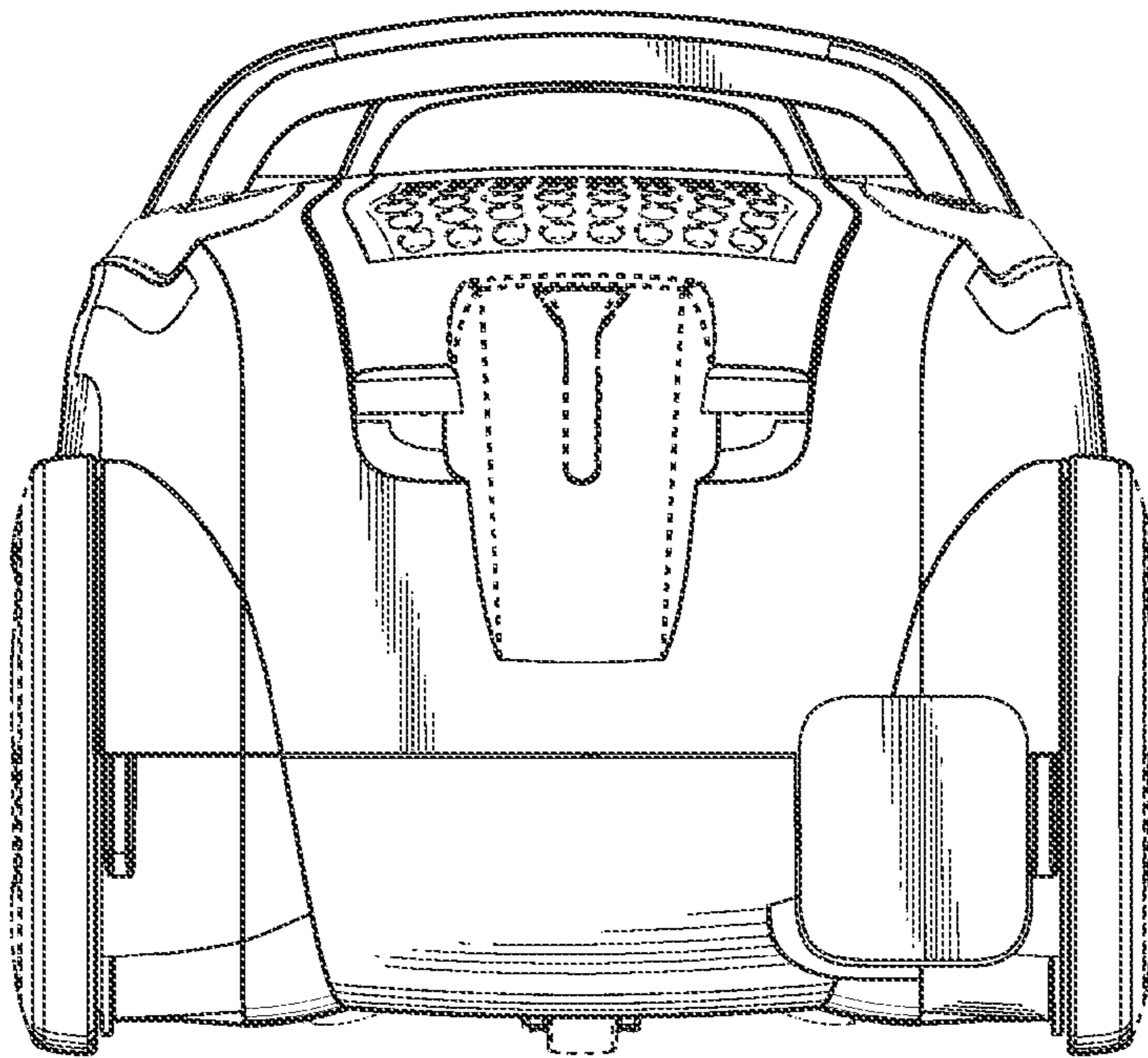


Fig. 12

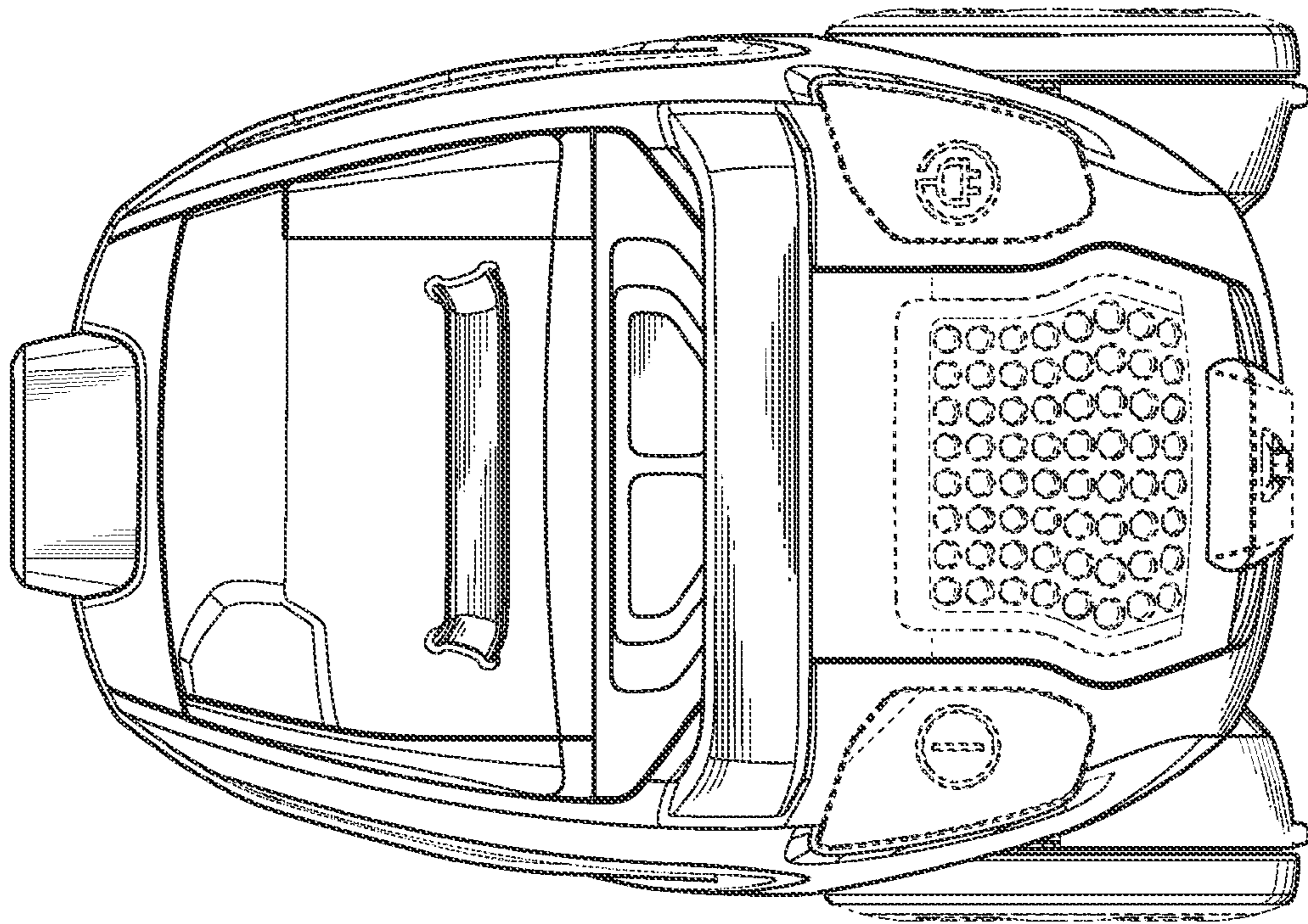


Fig. 13

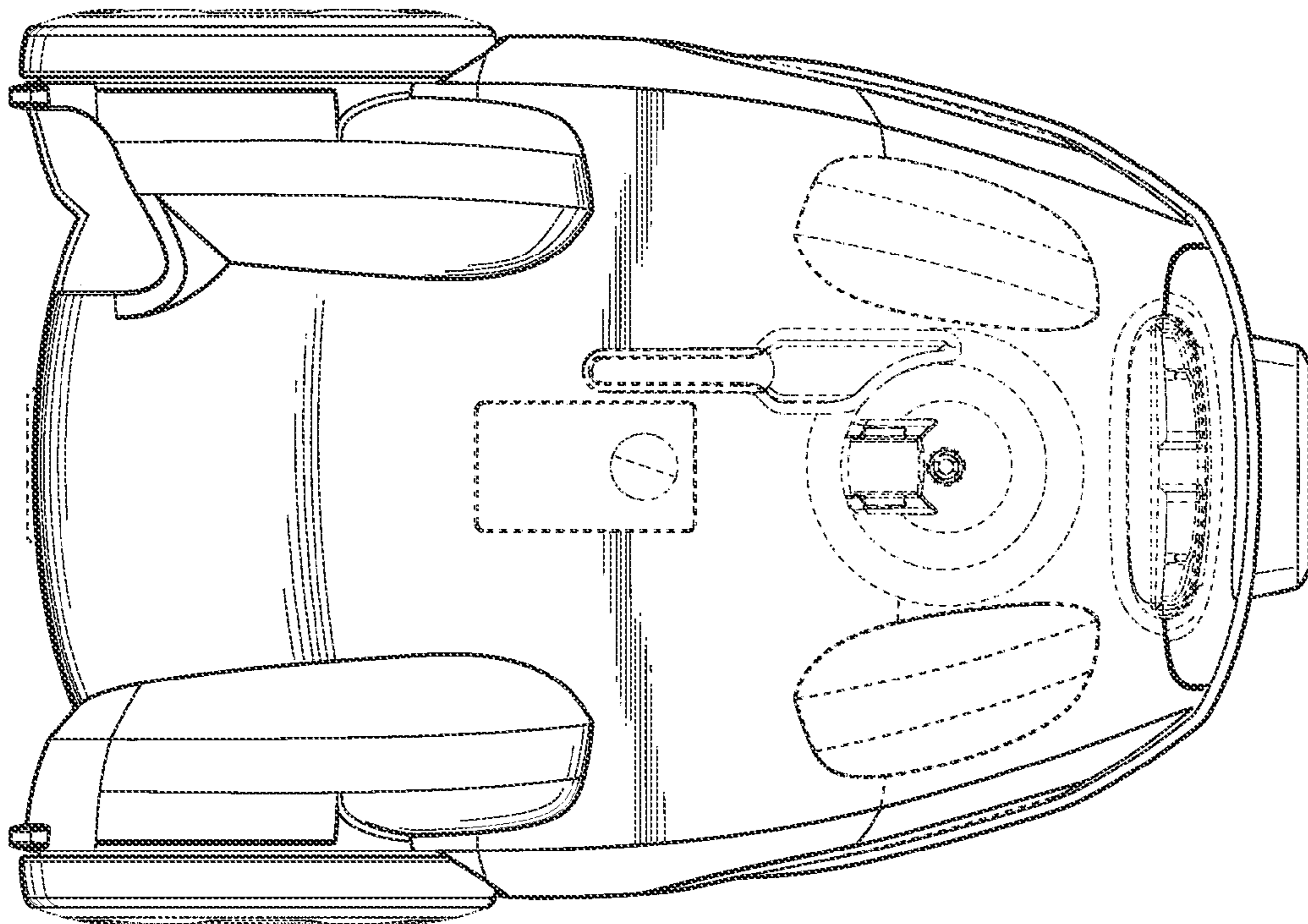


Fig. 14