



US00D619767S

(12) **United States Design Patent**
Antler

(10) **Patent No.:** **US D619,767 S**
(45) **Date of Patent:** **** Jul. 13, 2010**

(54) **DENTAL FLOSS DISPENSER CASE WITH A MIRROR SURFACE**

(75) Inventor: **Steven M. Antler**, Darien, CT (US)

(73) Assignee: **Staino, LLC**, Long Eddy, NY (US)

(**) Term: **14 Years**

(21) Appl. No.: **29/347,244**

(22) Filed: **Nov. 9, 2009**

(51) **LOC (9) Cl.** **28-03**

(52) **U.S. Cl.** **D28/66**

(58) **Field of Classification Search** D28/31,
D28/56, 65-68, 73; D24/152; 433/141,
433/146-147; 132/322-329; D3/203.1,
D3/205; 206/63.5; 242/137-138; D9/419-420,
D9/422, 529

See application file for complete search history.

(56) **References Cited**

U.S. PATENT DOCUMENTS

| | | | | | |
|-----------|-----|---------|-----------------|-------|----------|
| 4,327,755 | A * | 5/1982 | Endelson | | 132/324 |
| 4,881,560 | A * | 11/1989 | Blank et al. | | 132/324 |
| D309,959 | S * | 8/1990 | Endelson et al. | | D28/66 |
| 5,076,423 | A * | 12/1991 | Russack | | 206/63.5 |
| D368,986 | S * | 4/1996 | Haber et al. | | D28/66 |
| 5,649,659 | A * | 7/1997 | Saunders | | 225/39 |
| 5,787,907 | A * | 8/1998 | Endelson | | 132/321 |
| D410,114 | S * | 5/1999 | Carabello | | D28/66 |

| | | | | | |
|--------------|------|---------|----------|-------|---------|
| D446,718 | S * | 8/2001 | Anderson | | D9/422 |
| D491,313 | S * | 6/2004 | Schrott | | D28/66 |
| D571,045 | S * | 6/2008 | Griffin | | D28/66 |
| 2006/0283479 | A1 * | 12/2006 | Kernot | | 132/325 |

* cited by examiner

Primary Examiner—Janice E Seeger

Assistant Examiner—Zenia I Bennett

(74) *Attorney, Agent, or Firm*—Shlesinger, Arkwright & Garvey LLP

(57) **CLAIM**

The ornamental design for a dental floss dispenser case with a mirror surface, as shown and described.

DESCRIPTION

FIG. 1 is a front perspective view of a dental floss dispenser case with a mirror surface, showing my new design;

FIG. 2 is rear perspective view of FIG. 1;

FIG. 3 is a front elevational view of FIG. 1;

FIG. 4 is a top edge view of FIG. 1;

FIG. 5 is a bottom edge view of FIG. 1;

FIG. 6 is a left edge view of FIG. 1; and,

FIG. 7 is right edge view of FIG. 1.

Portions shown in broken lines form no part of the claimed design.

1 Claim, 2 Drawing Sheets

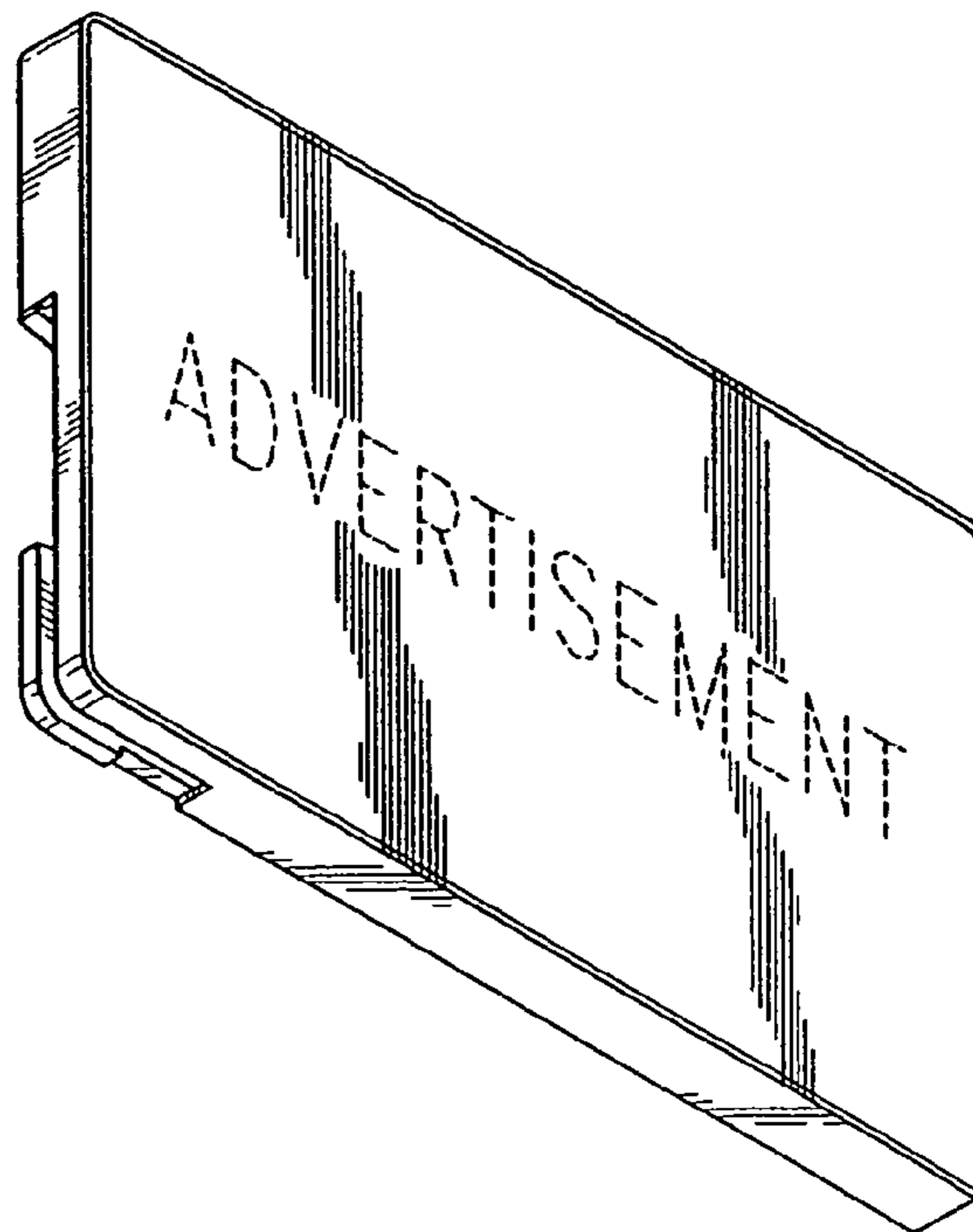
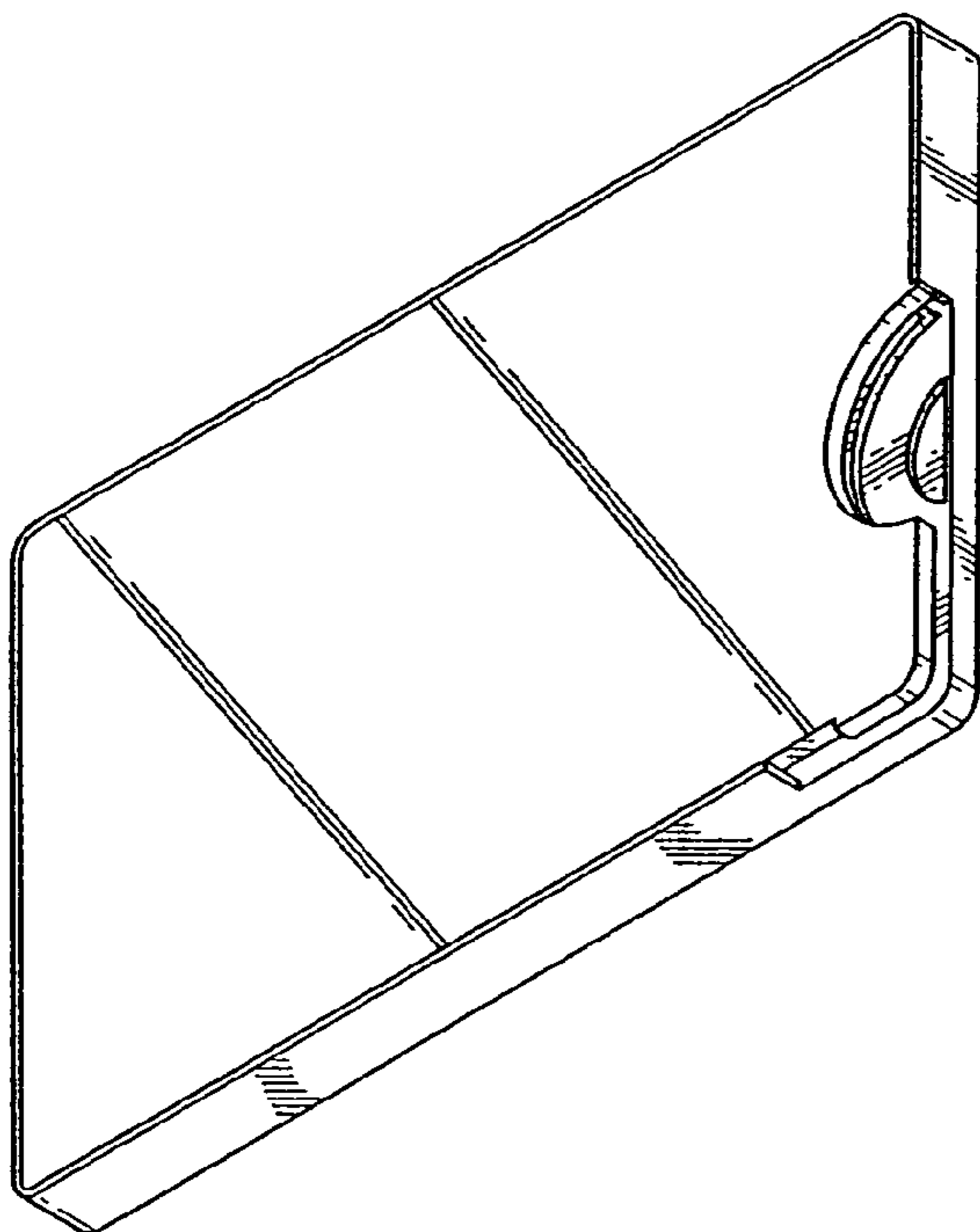


FIG. 1

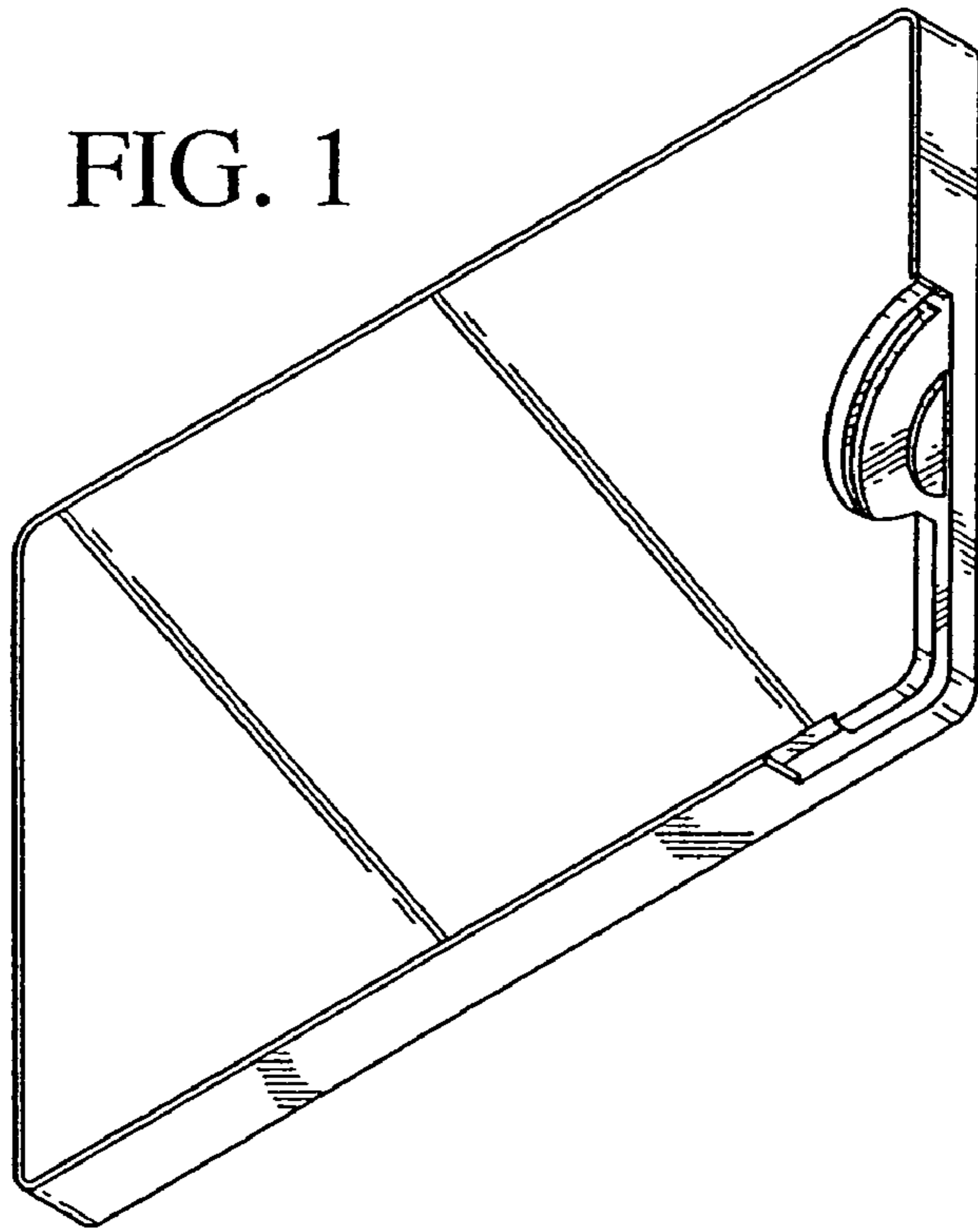
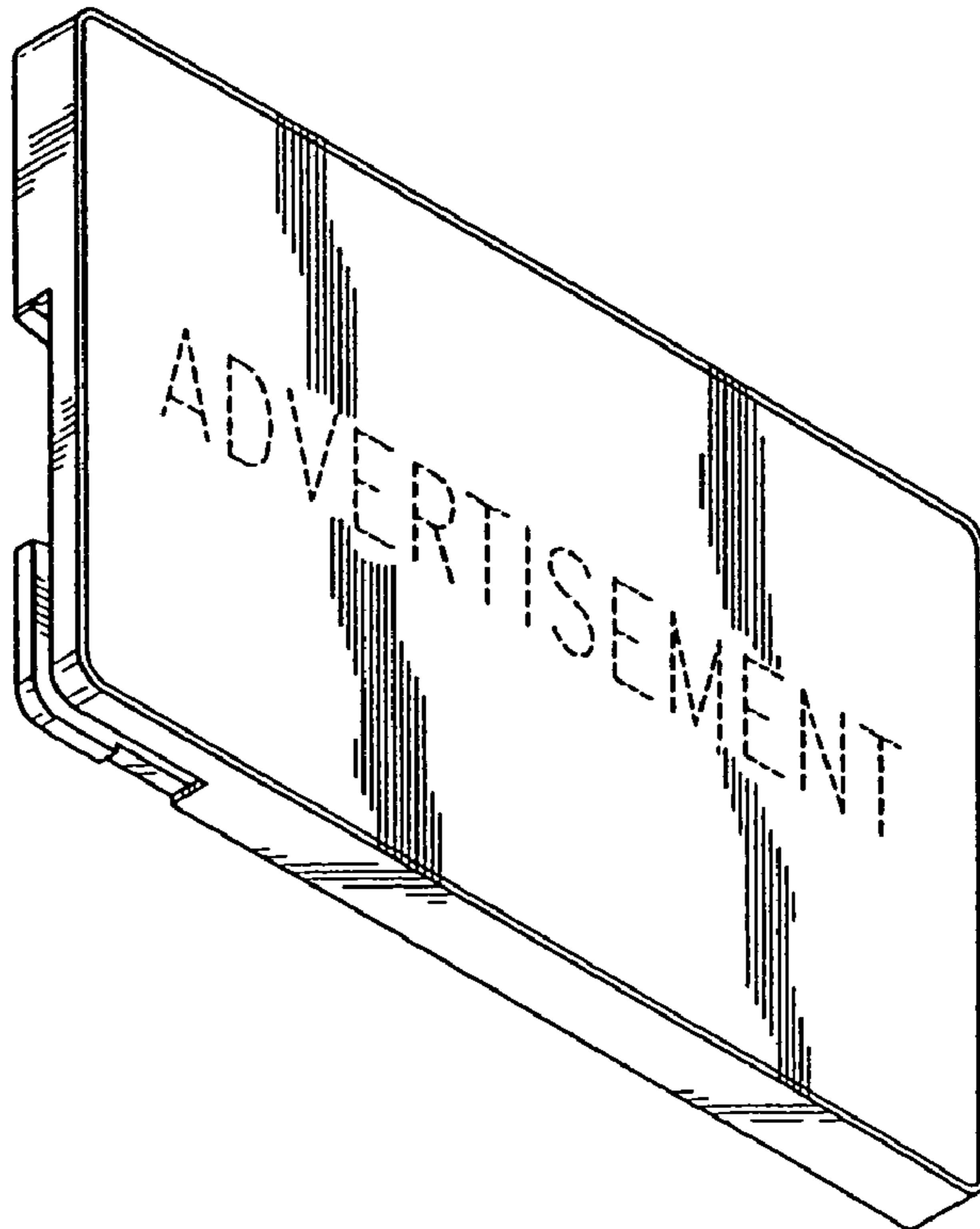


FIG. 2



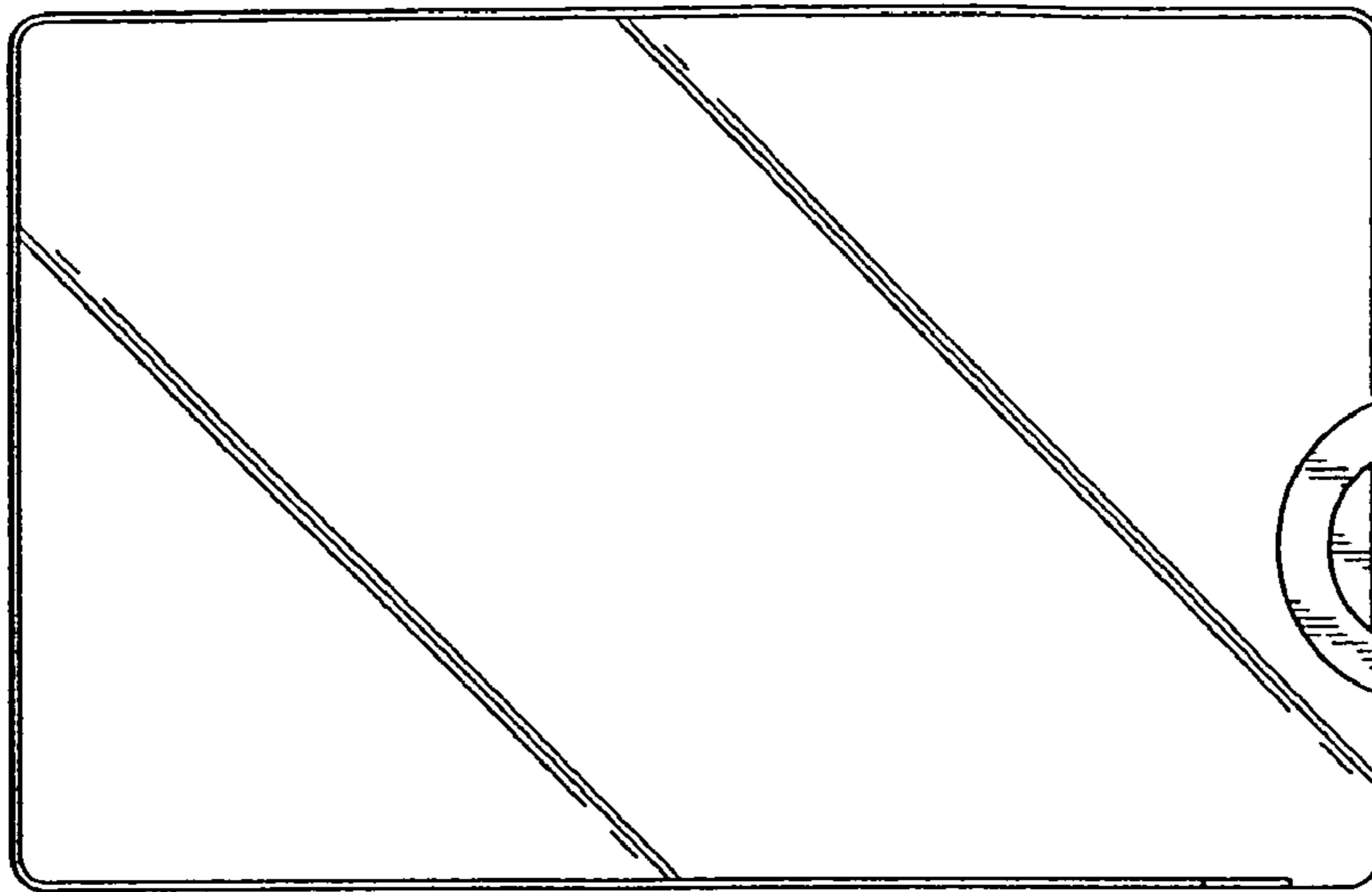


FIG. 3



FIG. 4



FIG. 5



FIG. 6



FIG. 7