

US00D619764S

(12) **United States Design Patent**
Rhoad

(10) **Patent No.:** **US D619,764 S**
(45) **Date of Patent:** **** Jul. 13, 2010**

(54) **SAFETY RAZOR**

D568,538 S * 5/2008 Rhoad et al. D28/48
D581,593 S * 11/2008 Rhoad D28/48

(75) Inventor: **Wes Rhoad**, Hamden, CT (US)

* cited by examiner

(73) Assignee: **Eveready Battery Company, Inc.**, St. Louis, MO (US)

Primary Examiner—Jennifer Rivard
(74) *Attorney, Agent, or Firm*—Energizer Personal Care, LLC

(**) Term: **14 Years**

(21) Appl. No.: **29/359,056**

(57) **CLAIM**

(22) Filed: **Apr. 5, 2010**

I claim the ornamental design for the safety razor, as shown and described.

(51) **LOC (9) Cl.** **28-03**

(52) **U.S. Cl.** **D28/48**

(58) **Field of Classification Search** D28/44-48;
30/32, 34.05, 34.1-34.2, 41, 44-46, 47-51,
30/57-58, 77-84, 526-539

See application file for complete search history.

DESCRIPTION

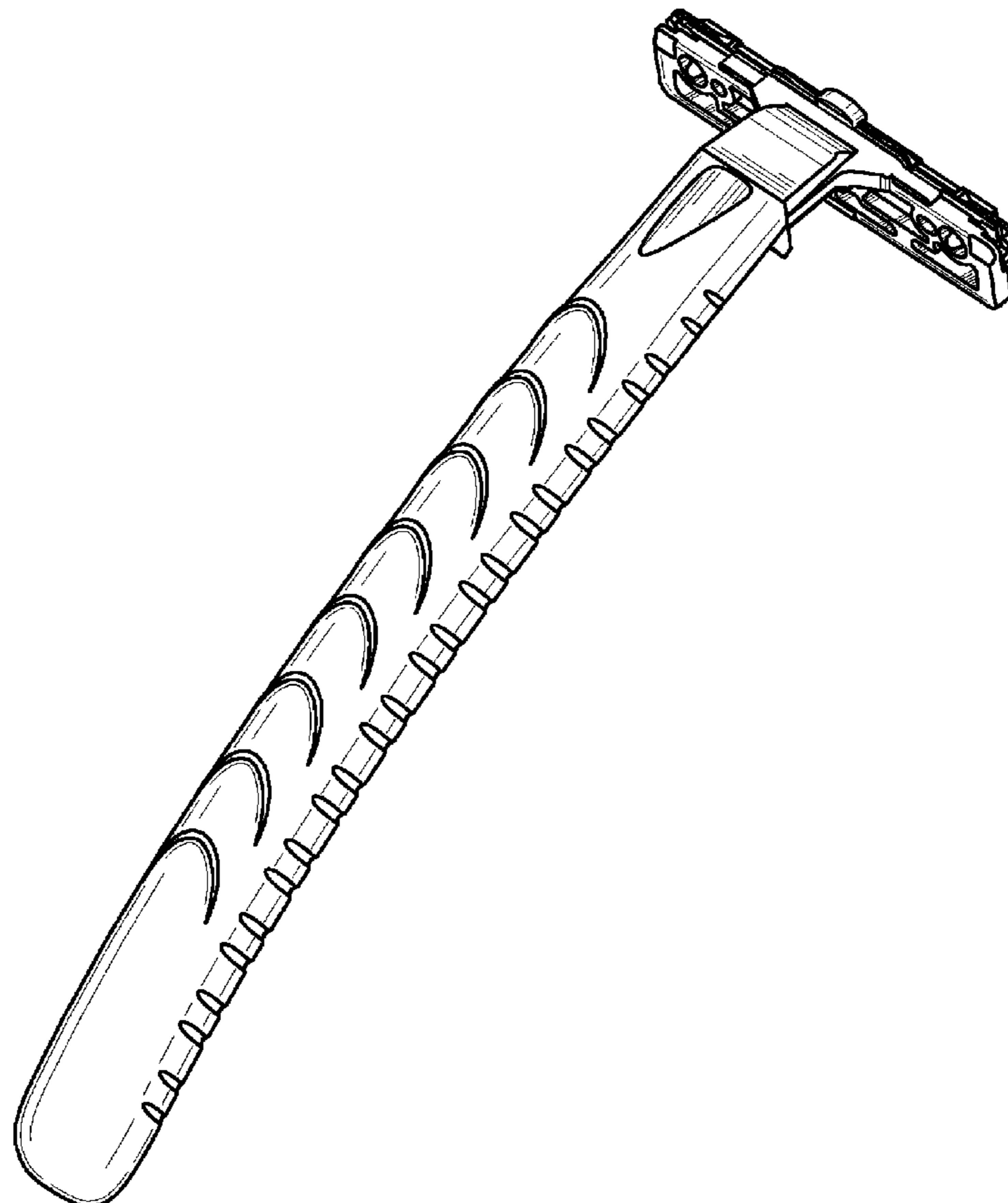
FIG. 1 is an upper perspective view of a safety razor.
FIG. 2 is a lower perspective view thereof.
FIG. 3 is a rear view thereof.
FIG. 4 is a front view thereof.
FIG. 5 is a left view of FIG. 3.
FIG. 6 is a right view of FIG. 3.
FIG. 7 is a bottom end view thereof; and,
FIG. 8 is a top end view thereof.

(56) **References Cited**

U.S. PATENT DOCUMENTS

D271,813 S * 12/1983 Gray D28/46
D389,272 S * 1/1998 Ryu D28/46
D402,403 S 12/1998 Motta et al.
D475,484 S * 6/2003 Wonderley D28/48
D568,535 S 5/2008 Rhoad et al.

1 Claim, 6 Drawing Sheets



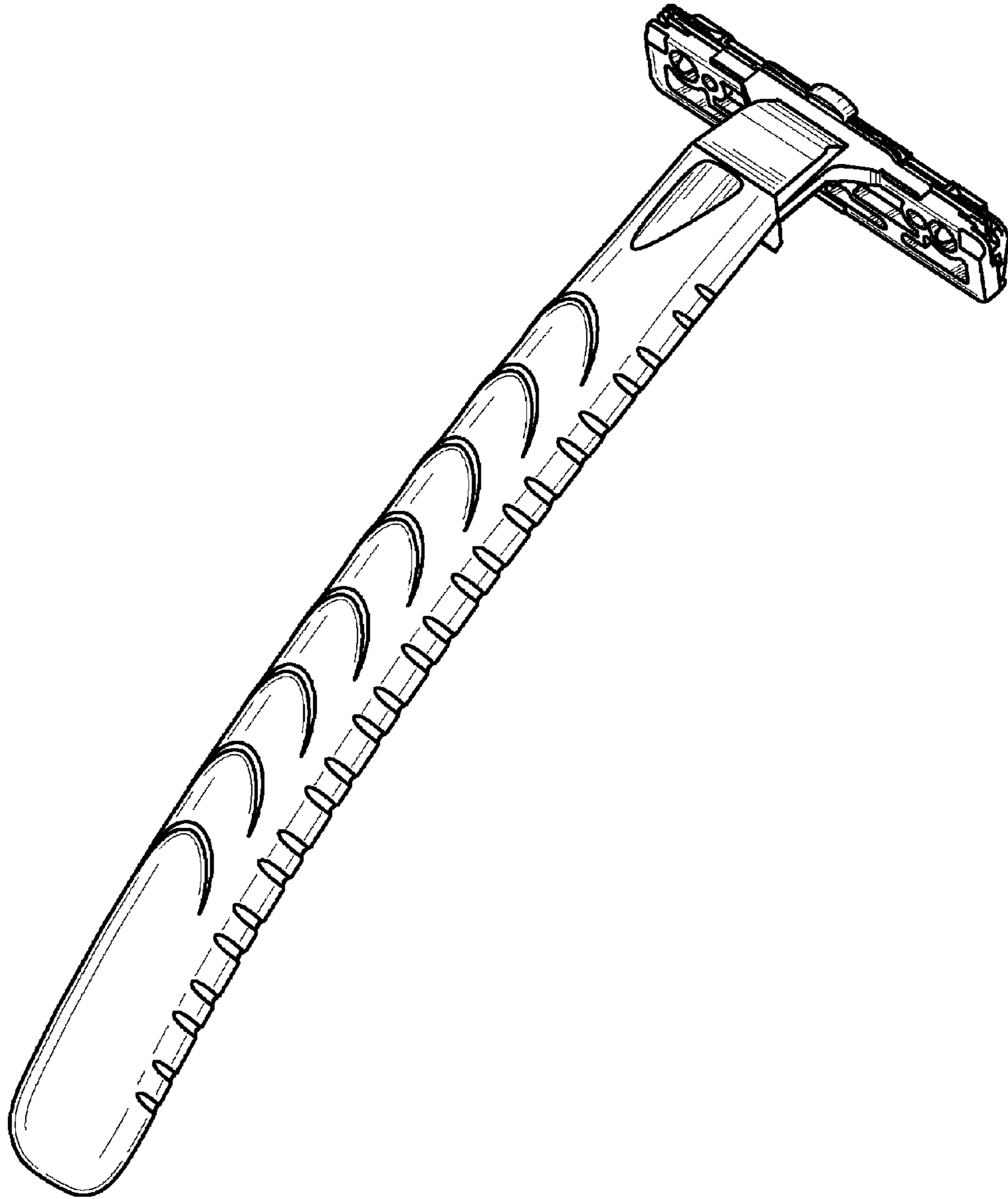


FIG. 1

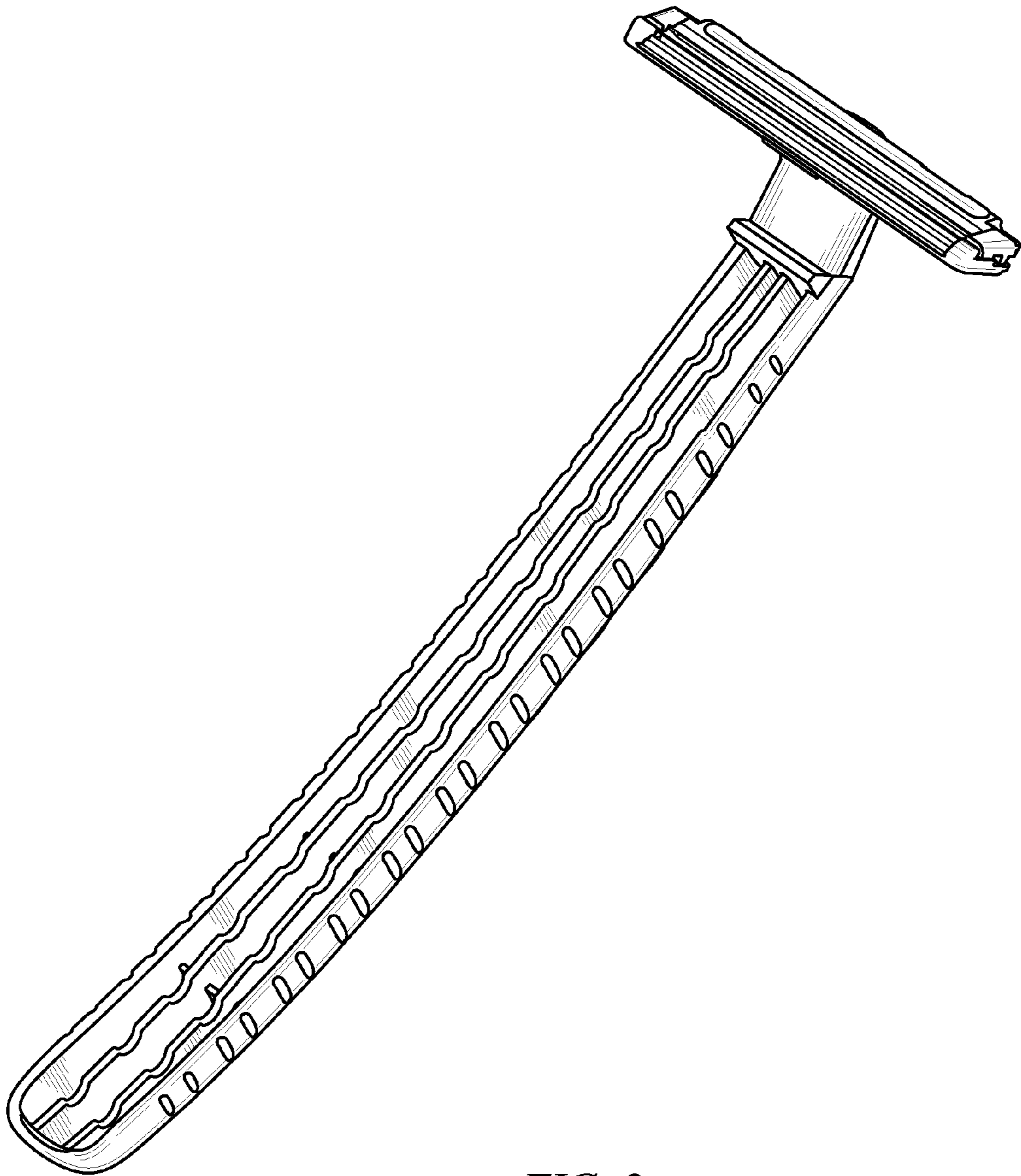


FIG. 2

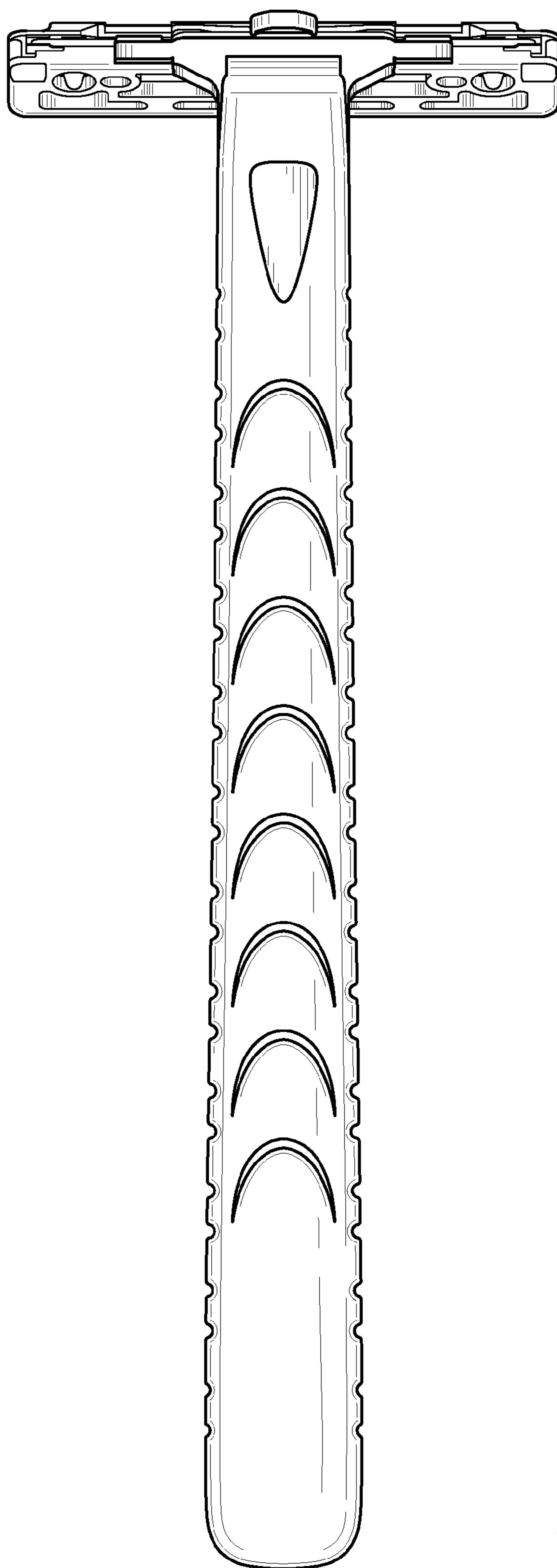


FIG. 3

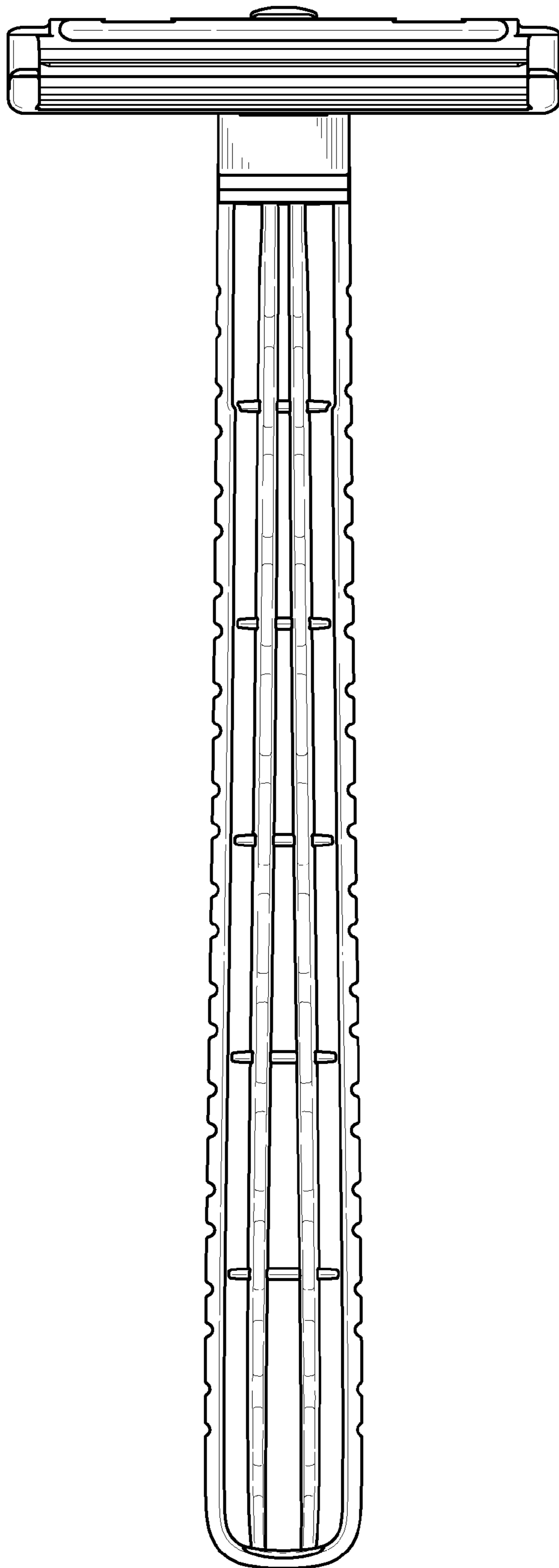


FIG. 4

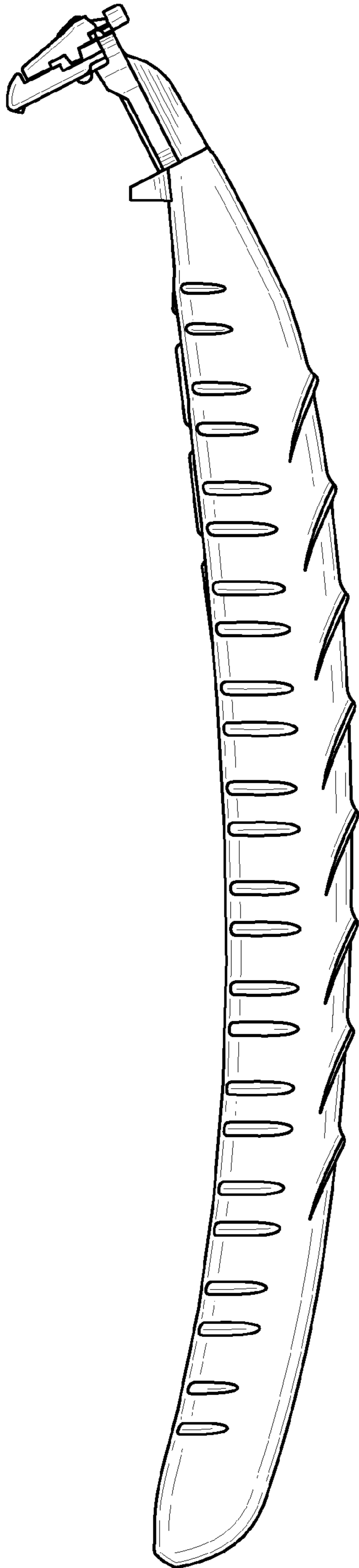


FIG. 5

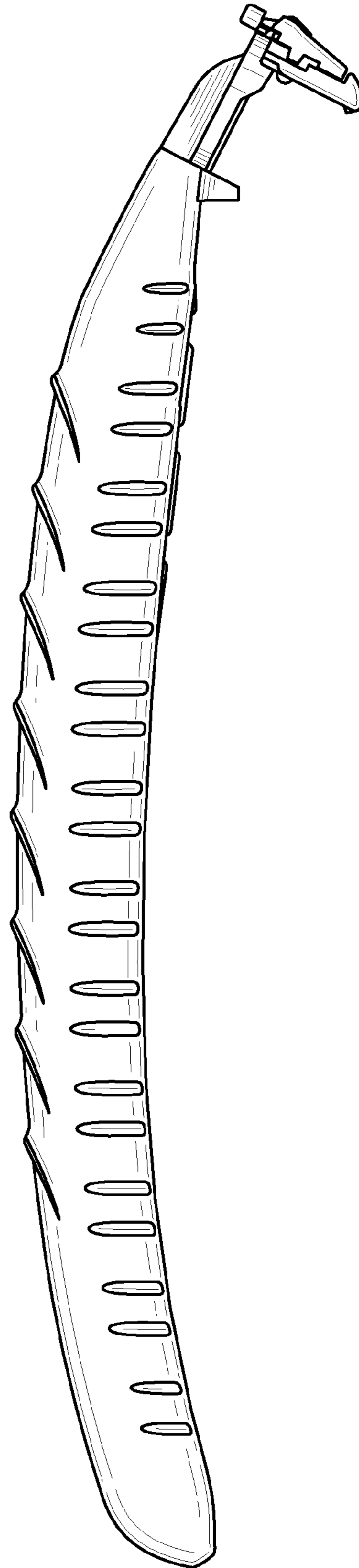


FIG. 6

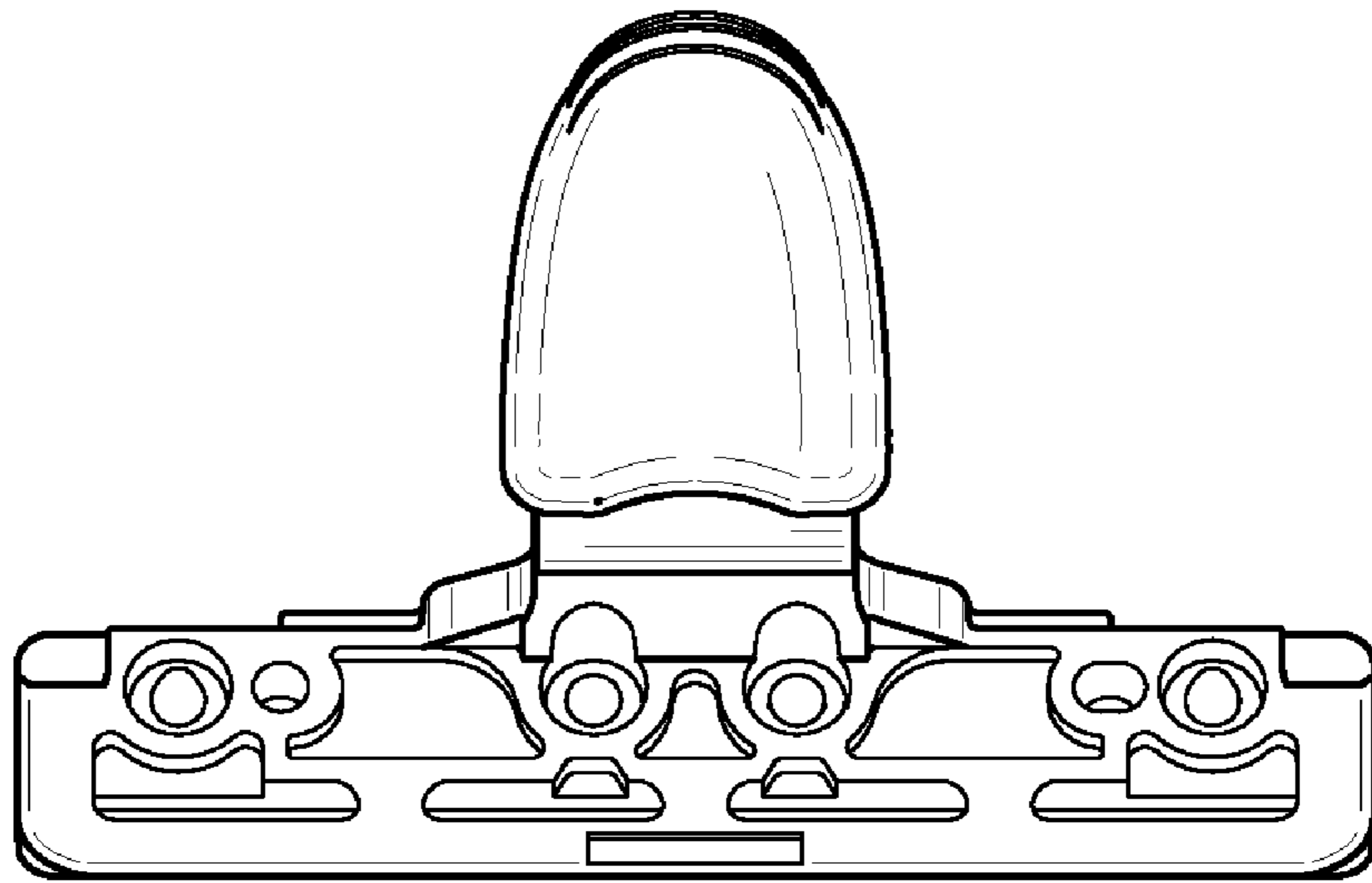


FIG. 7

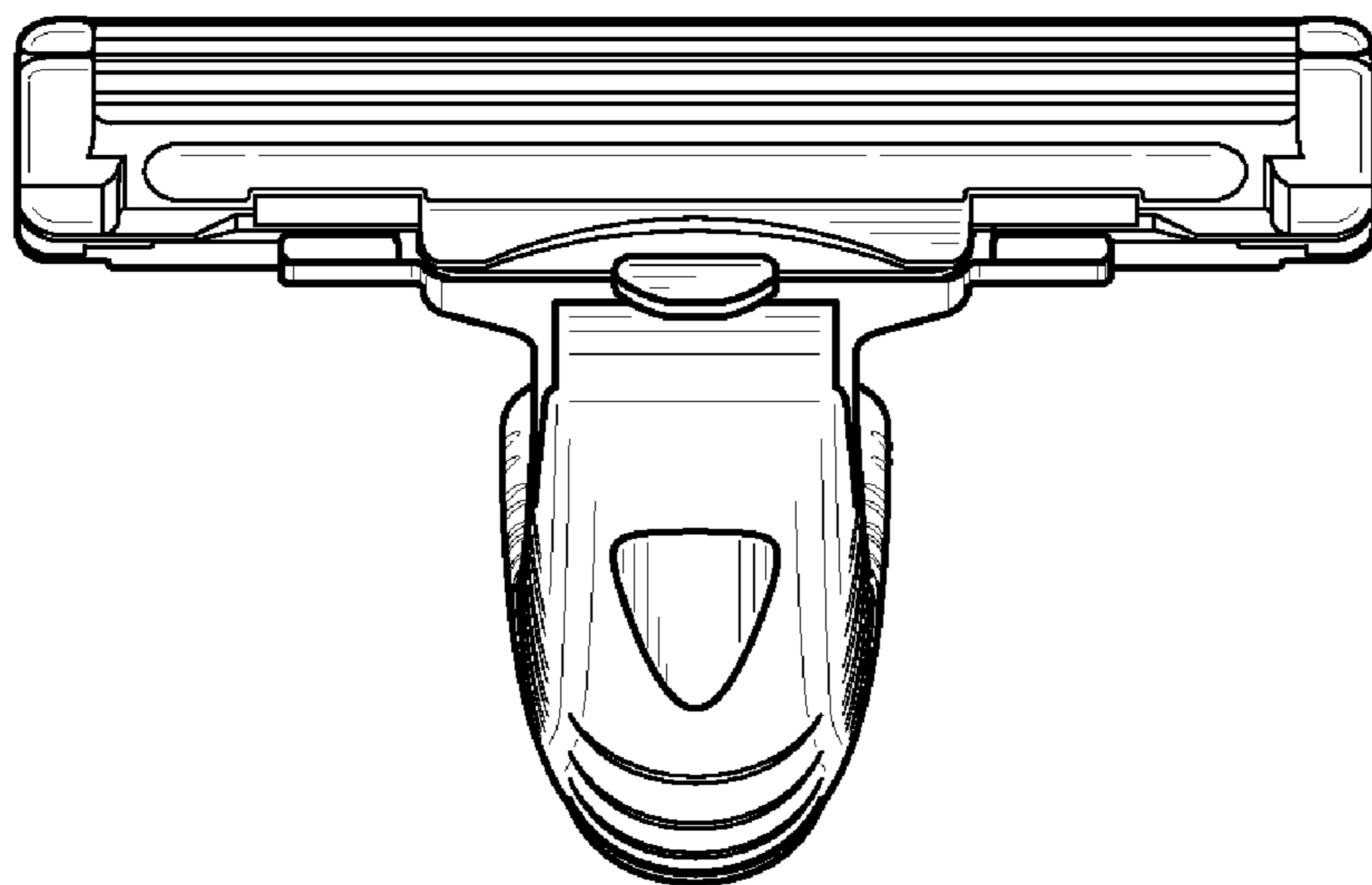


FIG. 8