



US00D619763S

(12) **United States Design Patent**
Coresh

(10) **Patent No.:** **US D619,763 S**
(45) **Date of Patent:** **** Jul. 13, 2010**

(54) **HANDLE FOR A SHAVING RAZOR**

(76) Inventor: **Alon Leon Coresh**, 13940 Tahiti Way,
#236, Marina del Rey, CA (US) 90292

(**) Term: **14 Years**

(21) Appl. No.: **29/353,736**

(22) Filed: **Jan. 13, 2010**

(51) **LOC (9) Cl.** **28-03**

(52) **U.S. Cl.** **D28/48**

(58) **Field of Classification Search** D28/44-48;
30/32, 34.05, 34.1-34.2, 41, 44-46, 47-51,
30/57-58, 77-84, 526-539

See application file for complete search history.

(56) **References Cited**

U.S. PATENT DOCUMENTS

D342,807 S	*	12/1993	Smith	D28/46
D581,593 S	*	11/2008	Rhoad	D28/48
D605,815 S	*	12/2009	Furuta	D28/48

* cited by examiner

Primary Examiner—Jennifer Rivard

(74) *Attorney, Agent, or Firm*—Blakely, Sokoloff, Taylor & Zafman, LLP

(57) **CLAIM**

The ornamental design for a handle for a shaving razor, as shown and described.

DESCRIPTION

FIG. 1 is a perspective view of a handle for a shaving razor.

FIG. 2 is a left side view of a handle for a shaving razor of FIG. 1.

FIG. 3 is a right side view of a handle for a shaving razor of FIG. 1.

FIG. 4 is a front view of a handle for a shaving razor of FIG. 1.

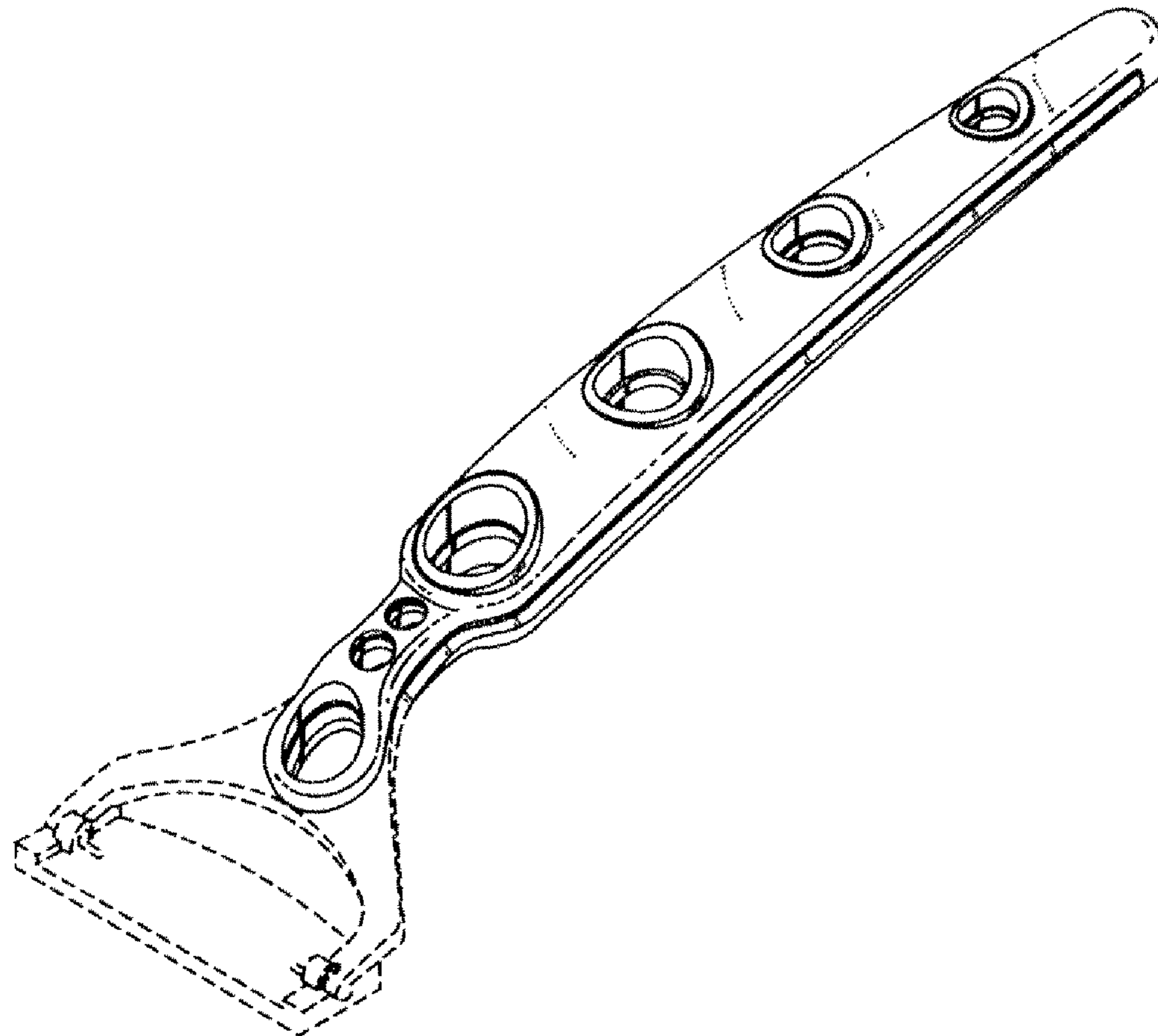
FIG. 5 is a rear view of a handle for a shaving razor of FIG. 1.

FIG. 6 is a top view of a handle for a shaving razor of FIG. 1; and,

FIG. 7 is a bottom view of a handle for a shaving razor of FIG. 1.

The broken lines in the figures are for environmental purpose only and form no part of the claimed design.

1 Claim, 3 Drawing Sheets



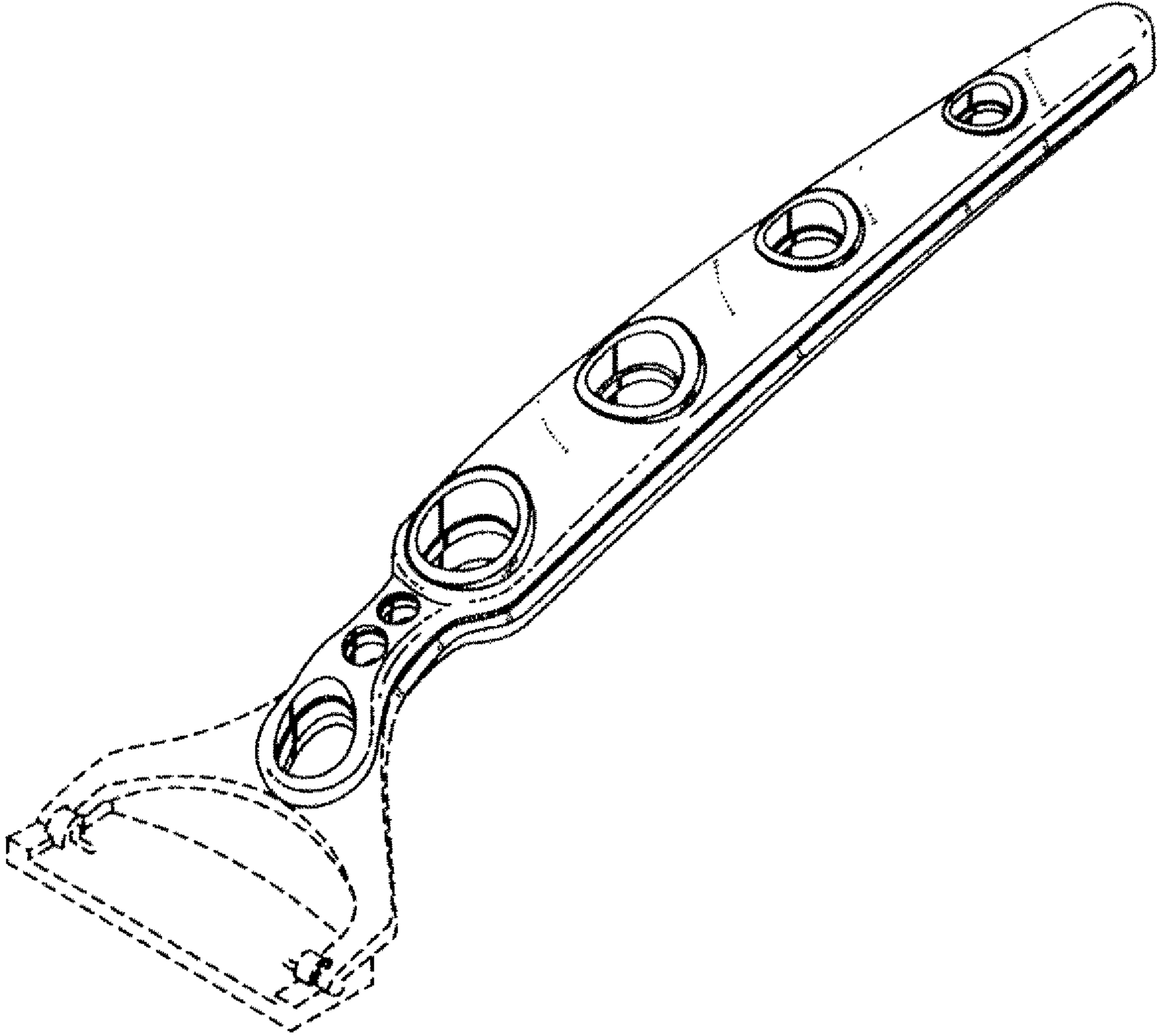


FIG. 1

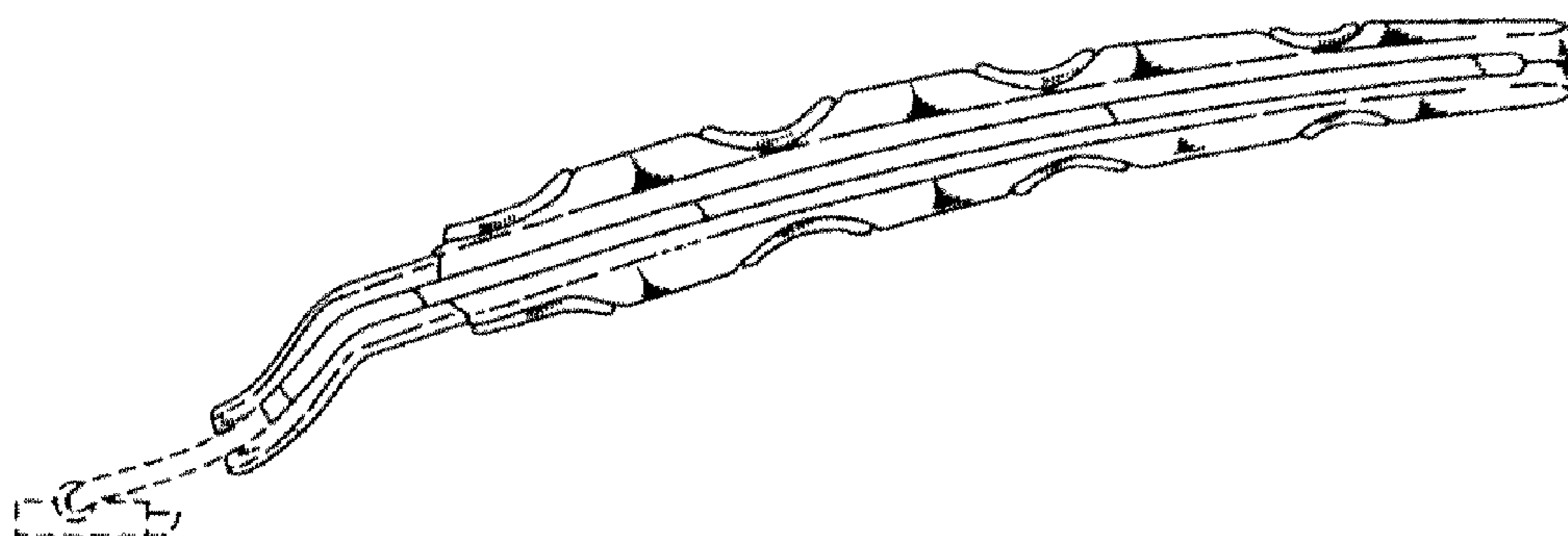


FIG. 2

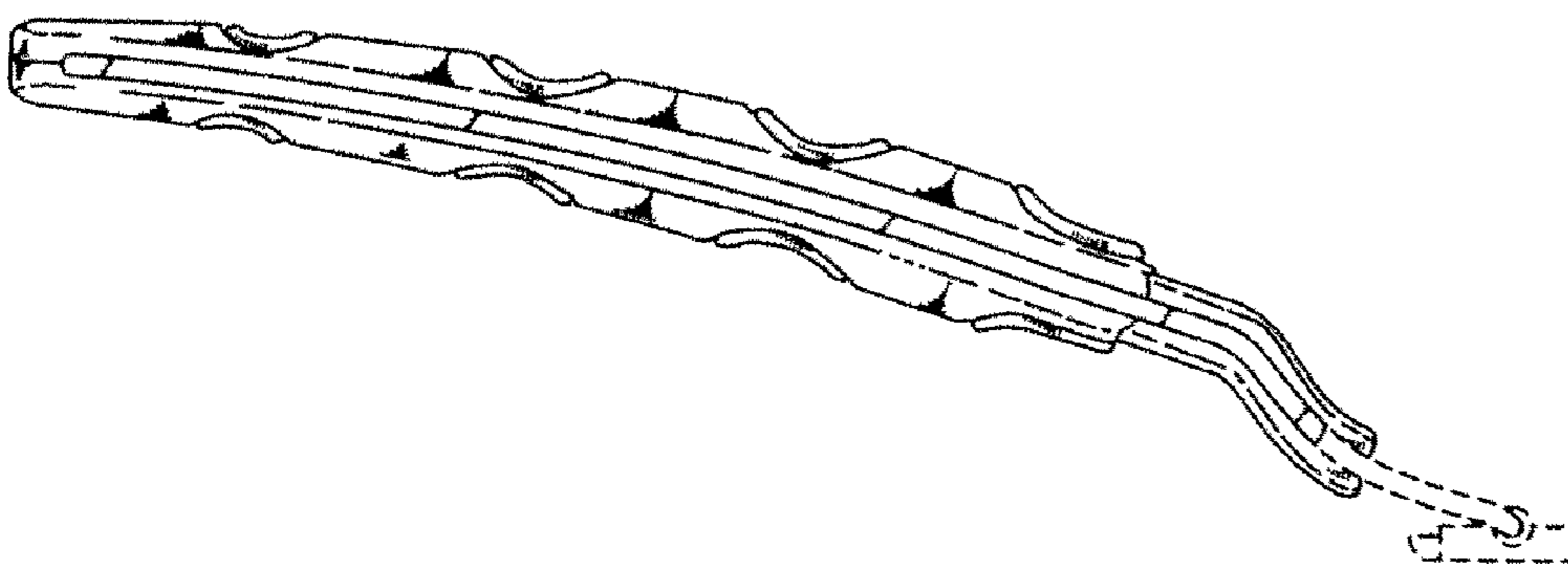


FIG. 3

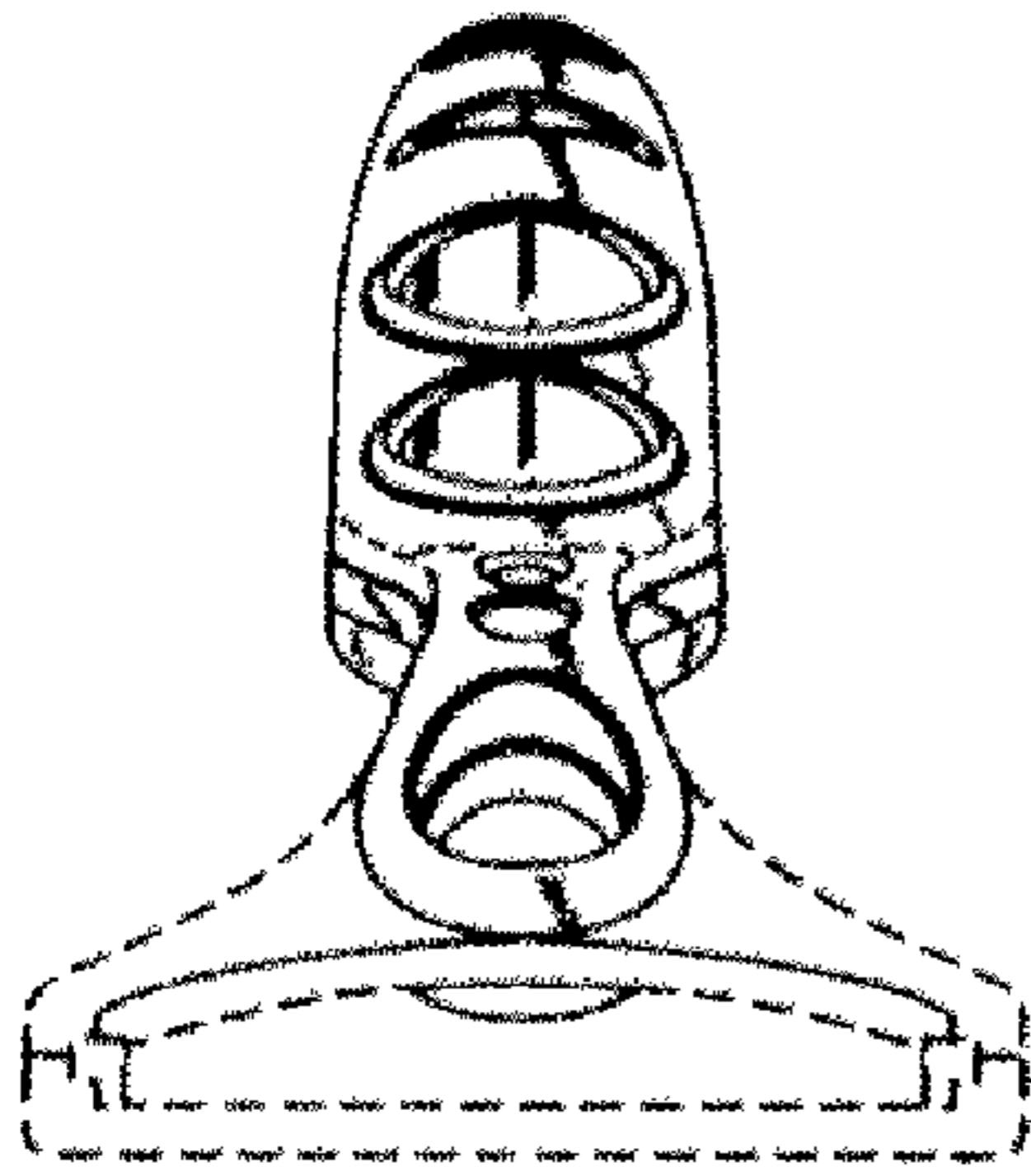


FIG. 4

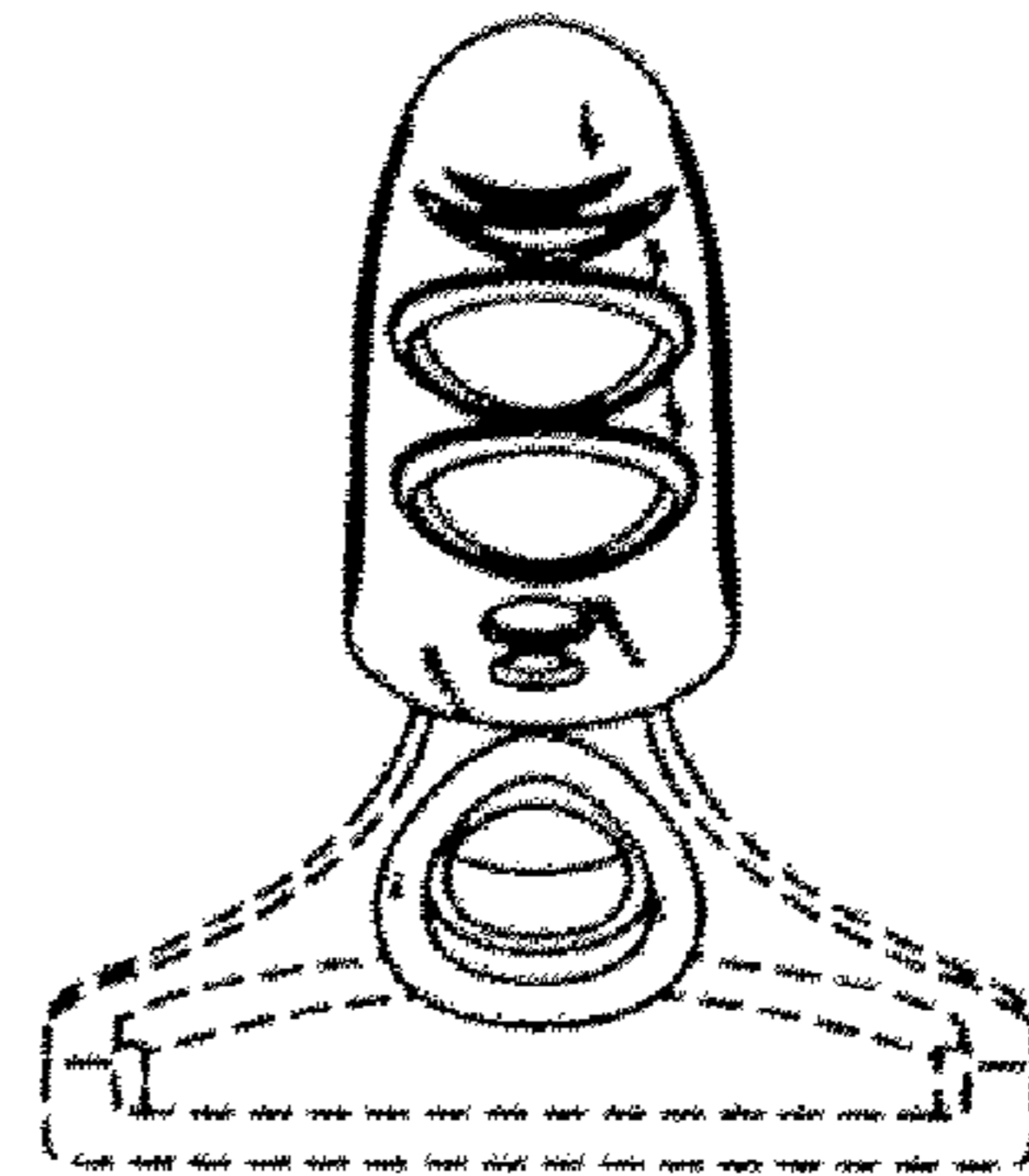


FIG. 5

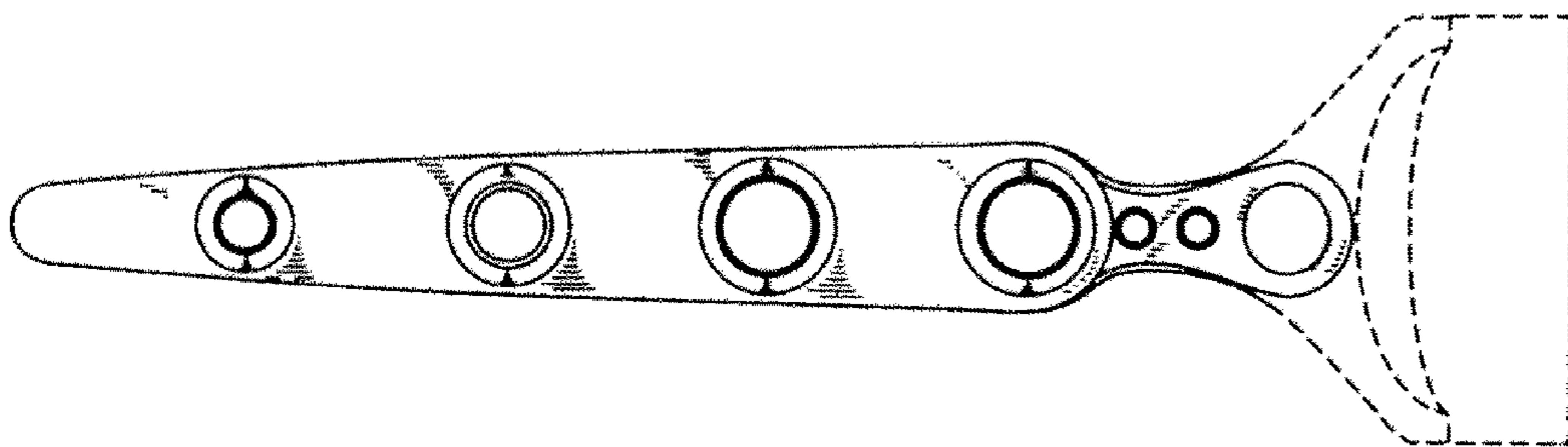


FIG. 6

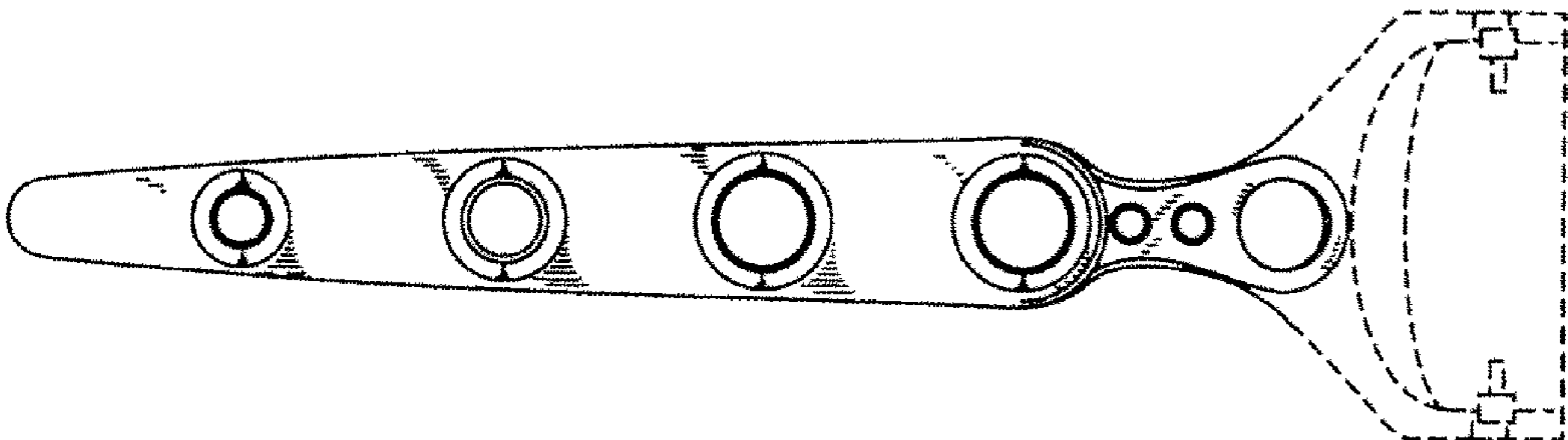


FIG. 7