



US00D619760S

(12) **United States Design Patent**  
**Cheung**

(10) **Patent No.:** **US D619,760 S**  
(45) **Date of Patent:** **\*\* Jul. 13, 2010**

(54) **HAIR STRAIGHTENER**

(75) Inventor: **Tak Keung Cheung**, Kowloon (HK)

(73) Assignee: **Dickson Industrial Co., Ltd.**, Kowloon (HK)

(\*\*) Term: **14 Years**

(21) Appl. No.: **29/345,437**

(22) Filed: **Oct. 15, 2009**

(51) **LOC (9) Cl.** ..... **28-03**

(52) **U.S. Cl.** ..... **D28/35**

(58) **Field of Classification Search** ..... D28/35,  
D28/38; 132/223–236; 219/222, 225–227,  
219/242

See application file for complete search history.

(56) **References Cited**

**U.S. PATENT DOCUMENTS**

D480,836 S *	10/2003	Kaizuka	.....	D28/35
D609,400 S *	2/2010	Yang	.....	D28/35
D609,402 S *	2/2010	Cheung	.....	D28/35

\* cited by examiner

*Primary Examiner*—Jennifer Rivard

(74) *Attorney, Agent, or Firm*—Husch Blackwell Sanders Welsh & Katz

(57) **CLAIM**

The ornamental design for a hair straightener, as shown and described.

**DESCRIPTION**

FIG. 1 is a top view of a hair straightener in accordance with an embodiment of the present invention;

FIG. 2 is a first side view of the hair straightener of FIG. 1 in a closed position;

FIG. 3 is a bottom view of the hair straightener of FIG. 1;

FIG. 4 is a second side view of the hair straightener of FIG. 1 in a closed position;

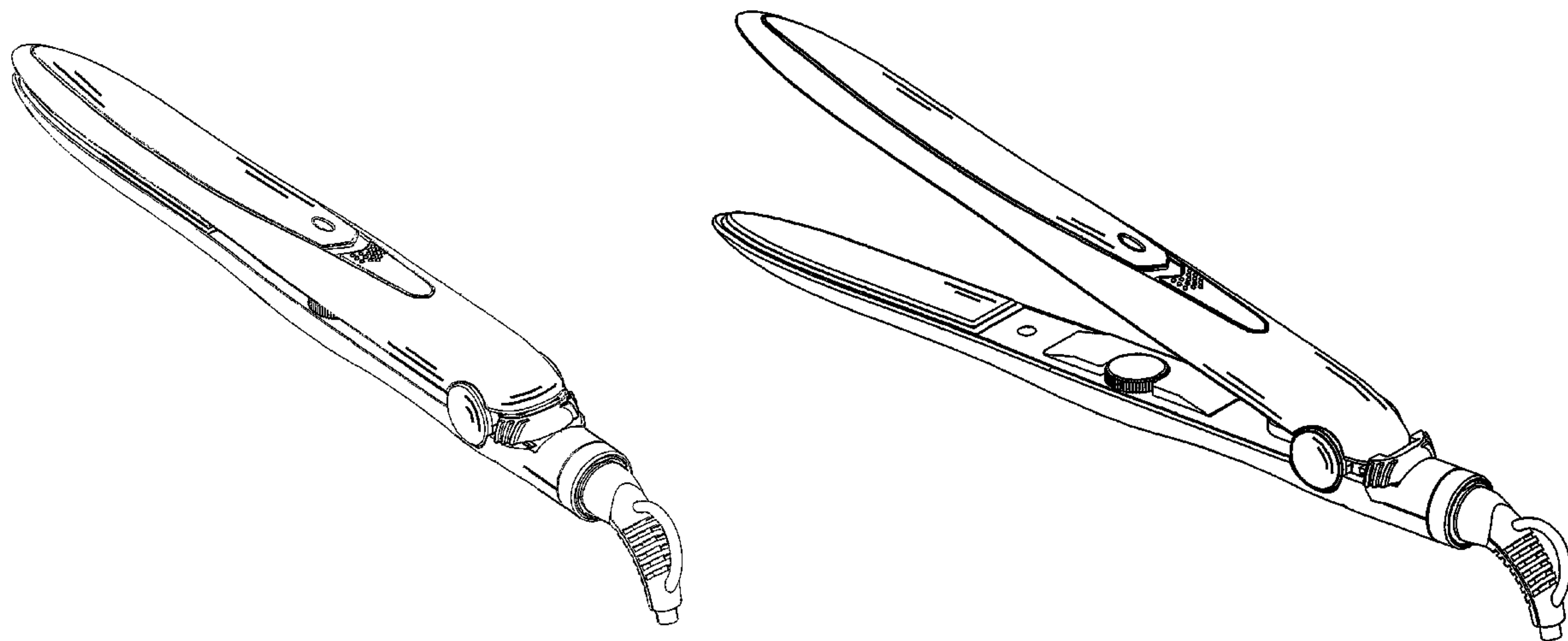
FIG. 5 is a first end view of the hair straightener of FIG. 1 in a closed position;

FIG. 6 is a second end view of the hair straightener of FIG. 1 in a closed position;

FIG. 7 is a perspective view of the hair straightener of FIG. 1 in a closed position; and,

FIG. 8 is a perspective view of the hair straightener of FIG. 1 in an open position.

**1 Claim, 7 Drawing Sheets**



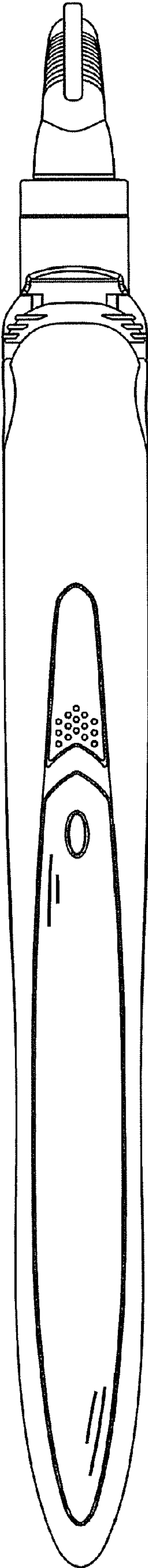


Fig. 1

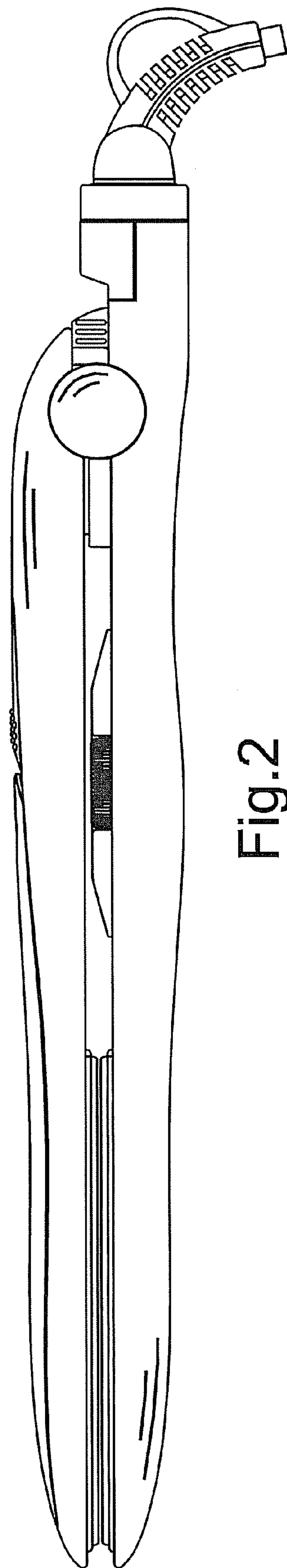


Fig.2

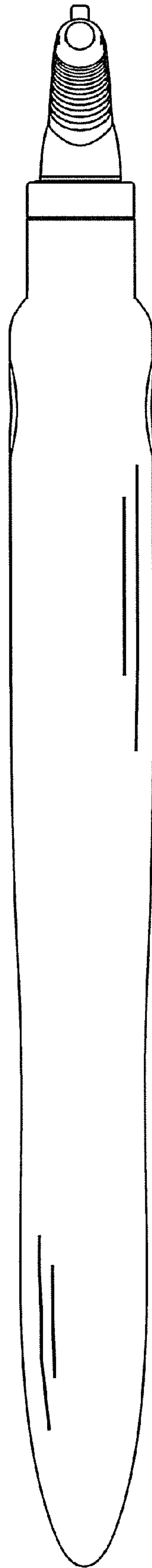


Fig.3

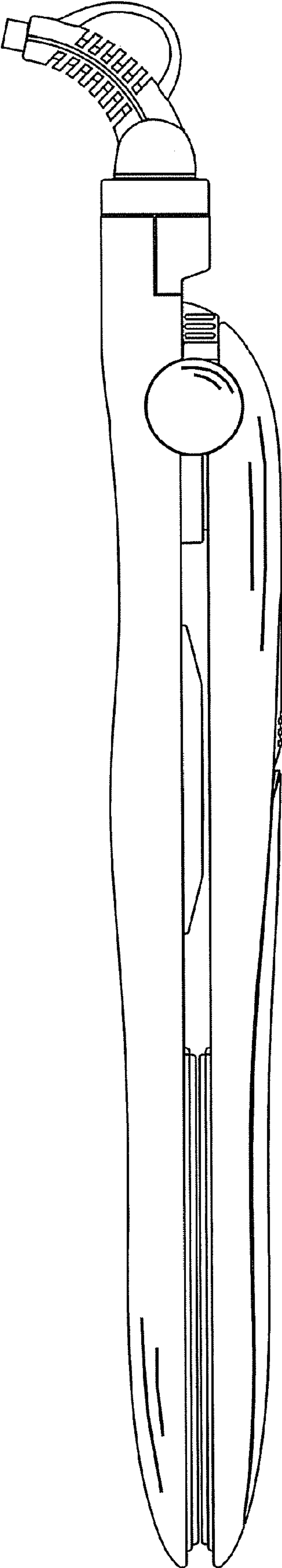


Fig.4

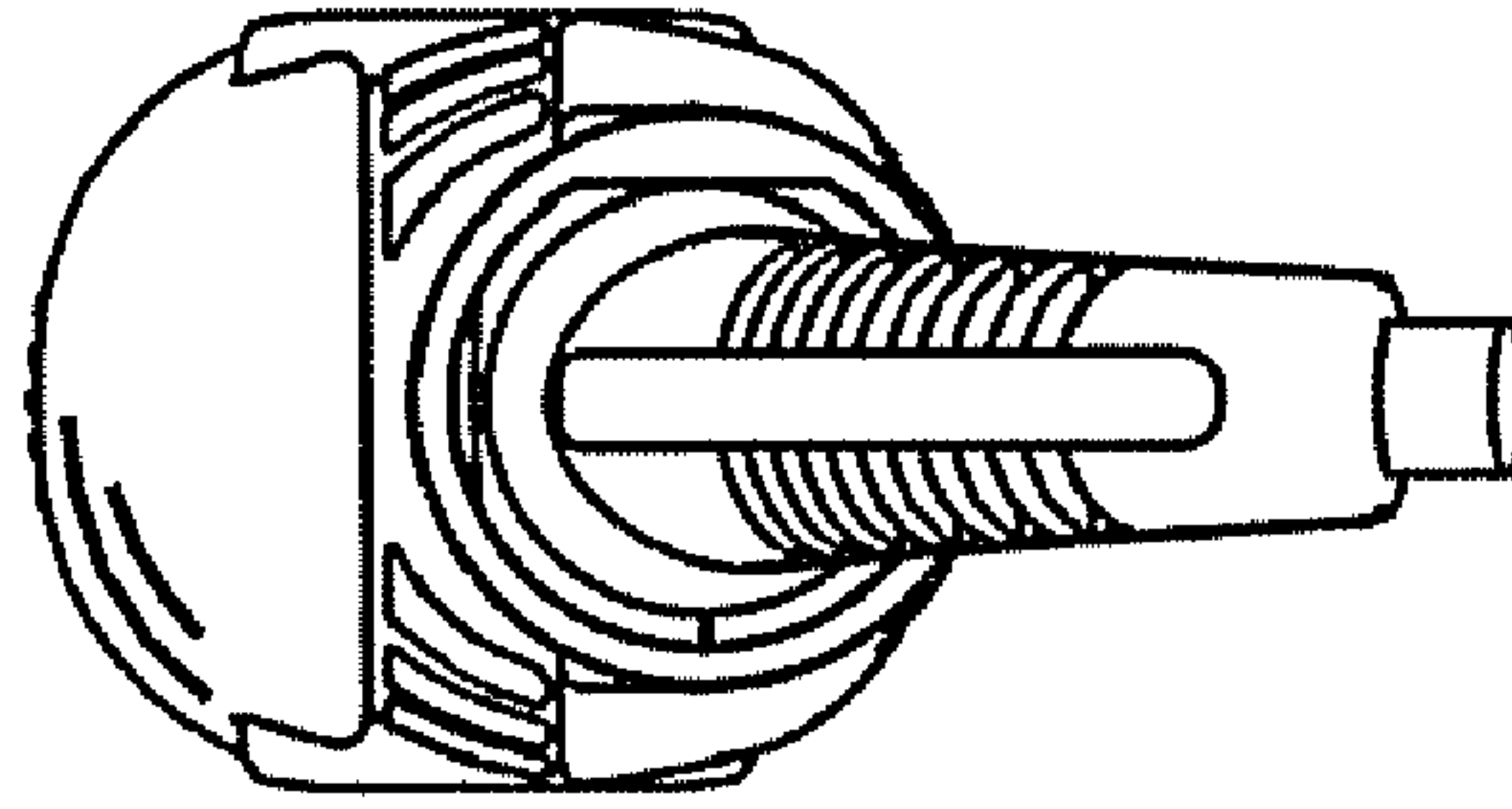


Fig. 6

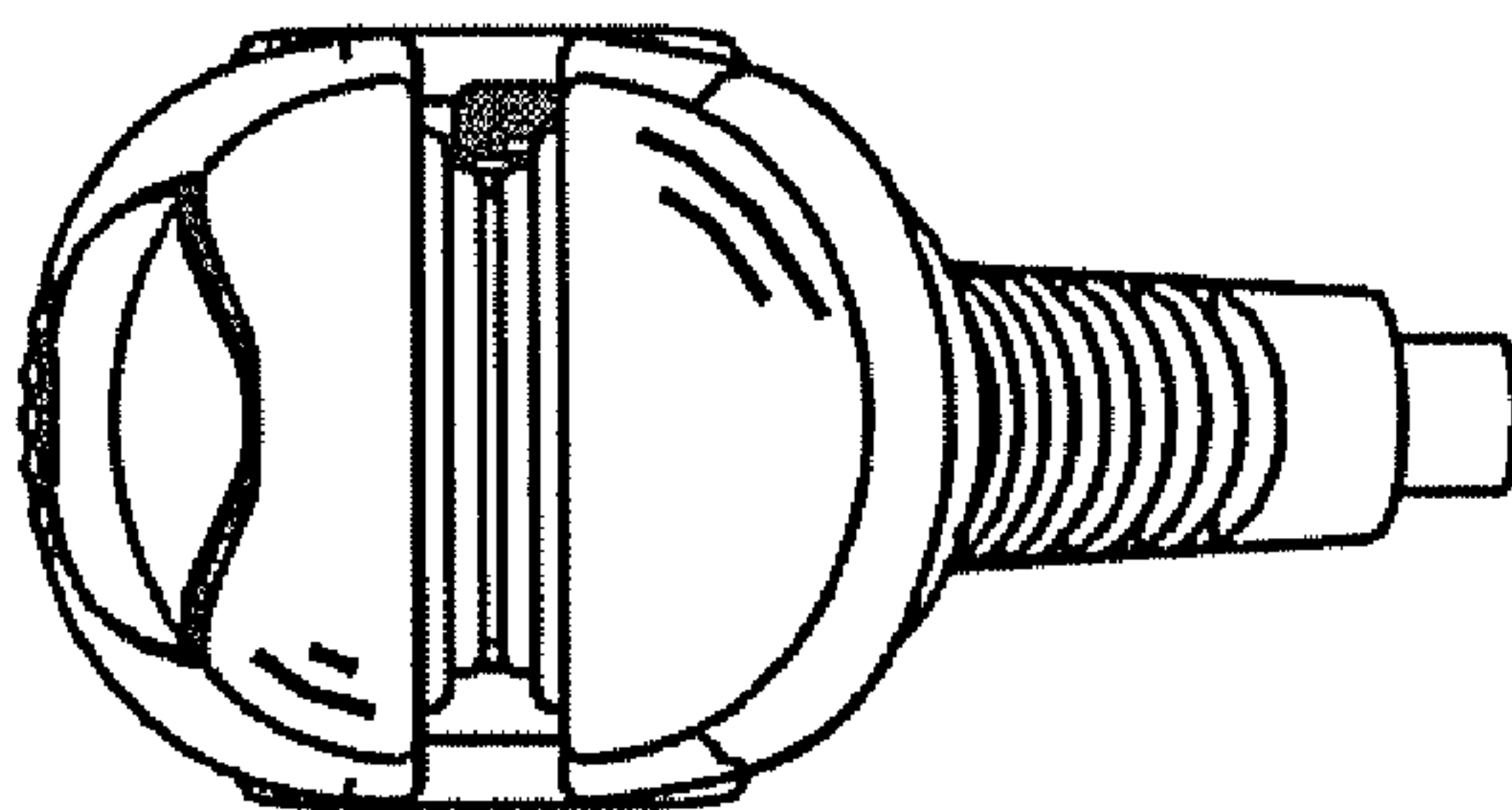


Fig. 5

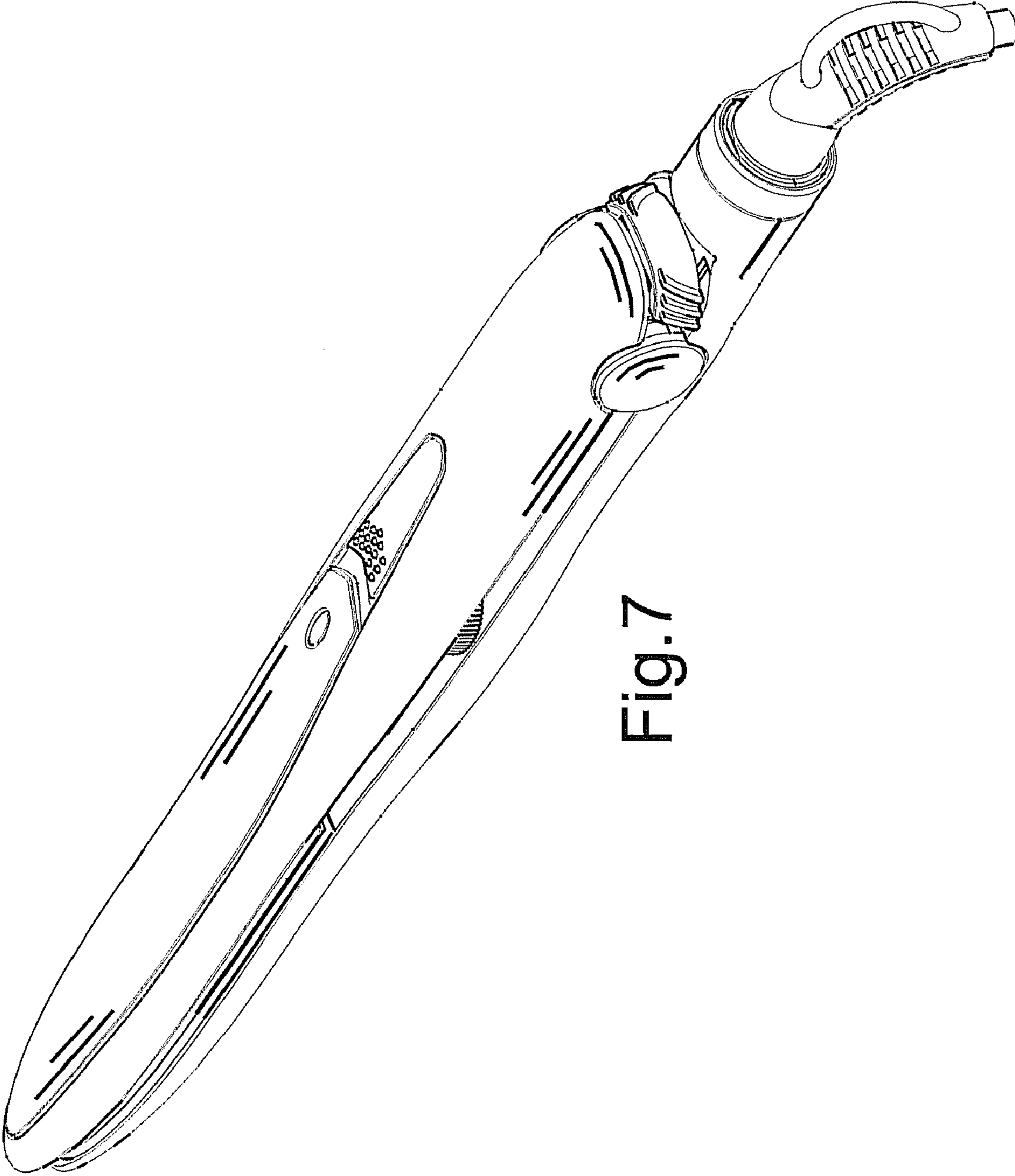


Fig. 7



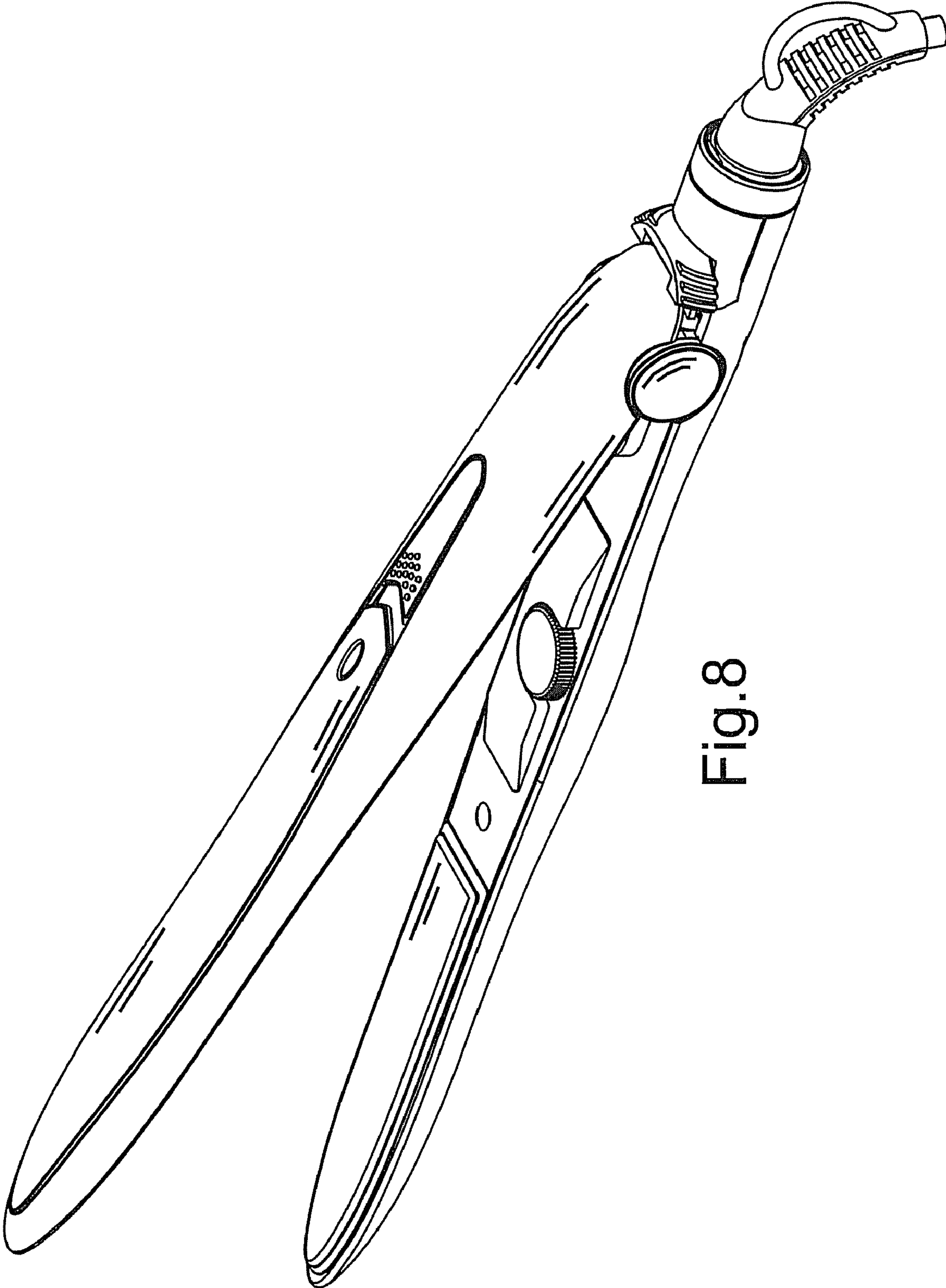


Fig.8