



US00D619756S

(12) **United States Design Patent**
Lai et al.

(10) **Patent No.:** **US D619,756 S**
(45) **Date of Patent:** **** Jul. 13, 2010**

(54) **OPTICAL LENS FOR LED**

(75) Inventors: **Chih-Ming Lai**, Miao-Li Hsien (TW);
Hong-Bin Yang, Miao-Li Hsien (TW)

(73) Assignee: **Foxsemicon Integrated Technology, Inc.**, Chu-Nan, Miao-Li Hsien (TW)

(**) Term: **14 Years**

(21) Appl. No.: **29/354,431**

(22) Filed: **Jan. 25, 2010**

(30) **Foreign Application Priority Data**

Sep. 17, 2009 (CN) 2009 3 0316631

(51) **LOC (9) Cl.** **26-99**

(52) **U.S. Cl.** **D26/124**

(58) **Field of Classification Search** D13/179,
D13/180; D16/101, 135; D25/122, 124;
D26/9, 11, 22, 25, 56, 67, 71, 72, 74, 76,
D26/79, 84, 85, 88, 89, 113, 118, 119, 120,
D26/121, 122, 123, 124, 128, 129, 130, 134,
D26/137, 138, 139, 140, 141, 142, 152; 52/844;
359/811, 819; 362/145, 152, 219, 240, 241,
362/249.01, 249.02, 249.03, 249.04, 249.05,
362/249.06, 249.07, 249.08, 249.09, 249.1,
362/547, 555

See application file for complete search history.

(56) **References Cited**

U.S. PATENT DOCUMENTS

3,163,768 A * 12/1964 Bernheim 250/238
6,402,348 B1 * 6/2002 Ouellette et al. 362/296.01
6,474,831 B1 * 11/2002 Ruuttu et al. 362/148
6,724,543 B1 * 4/2004 Chinniah et al. 359/718
D495,822 S * 9/2004 Yoneda D26/124
D511,787 S * 11/2005 Galli D16/134

6,972,439 B1 * 12/2005 Kim et al. 257/98
D520,143 S * 5/2006 Yoneda D24/209
D523,826 S * 6/2006 Kamada D13/180
D542,239 S * 5/2007 Egawa D13/180
7,217,004 B2 * 5/2007 Park et al. 362/240
7,347,590 B2 * 3/2008 Lee et al. 362/327
7,458,703 B2 * 12/2008 Han et al. 362/267
7,554,742 B2 * 6/2009 Chinniah et al. 359/641
7,566,148 B2 * 7/2009 Noh et al. 362/305
2003/0063474 A1 * 4/2003 Coughaine 362/517
2004/0264196 A1 * 12/2004 Shu 362/294
2004/0264199 A1 * 12/2004 Shu et al. 362/327
2005/0023538 A1 * 2/2005 Ishii et al. 257/79
2005/0024744 A1 * 2/2005 Falicoff et al. 359/737
2006/0284305 A1 * 12/2006 Yen et al. 257/708
2007/0109791 A1 * 5/2007 Chinniah et al. 362/334
2009/0129097 A1 * 5/2009 Ewert et al. 362/328

* cited by examiner

Primary Examiner—Cathron C Brooks

Assistant Examiner—Kevin K Rudzinski

(74) *Attorney, Agent, or Firm*—Raymond J. Chew

(57) **CLAIM**

The ornamental design for an optical lens for LED, as shown.

DESCRIPTION

FIG. 1 is a perspective view of an optical lens for LED showing our new design.

FIG. 2 is a front elevational view thereof.

FIG. 3 is a rear elevational view thereof.

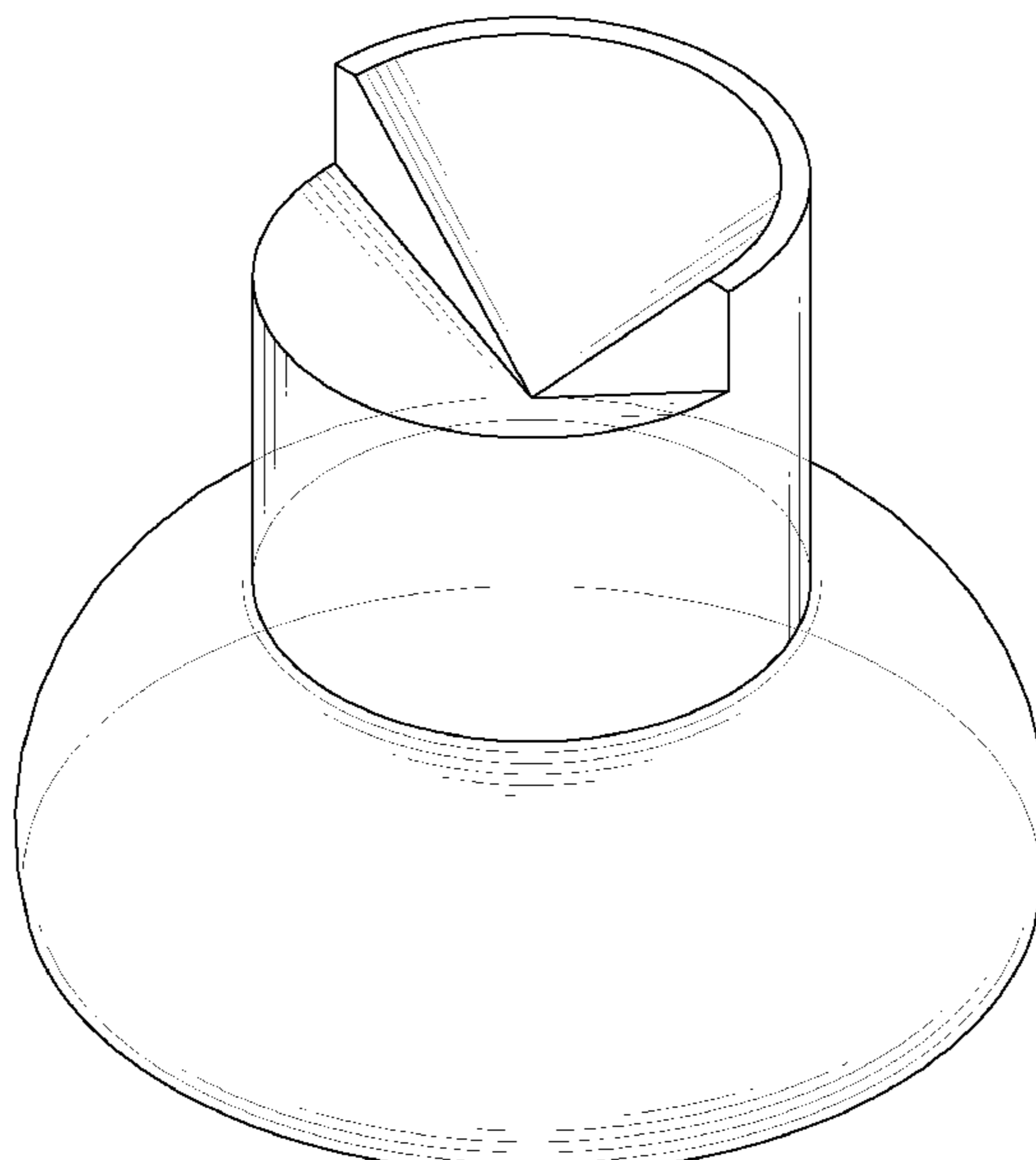
FIG. 4 is a left-side, elevational view thereof.

FIG. 5 is a right-side, elevational view thereof.

FIG. 6 is a top plan view thereof; and,

FIG. 7 is a bottom plan view thereof.

1 Claim, 7 Drawing Sheets



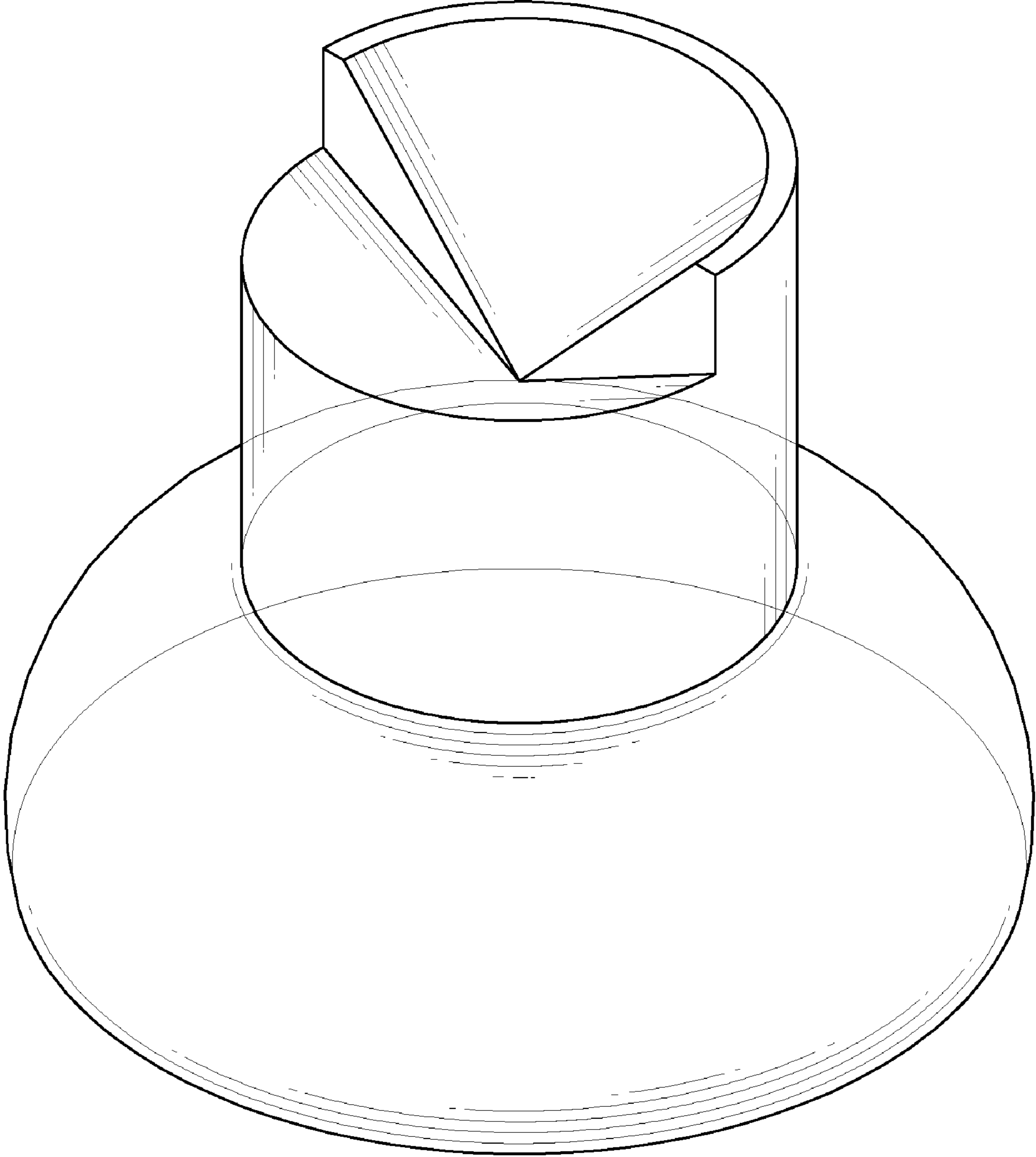


FIG. 1

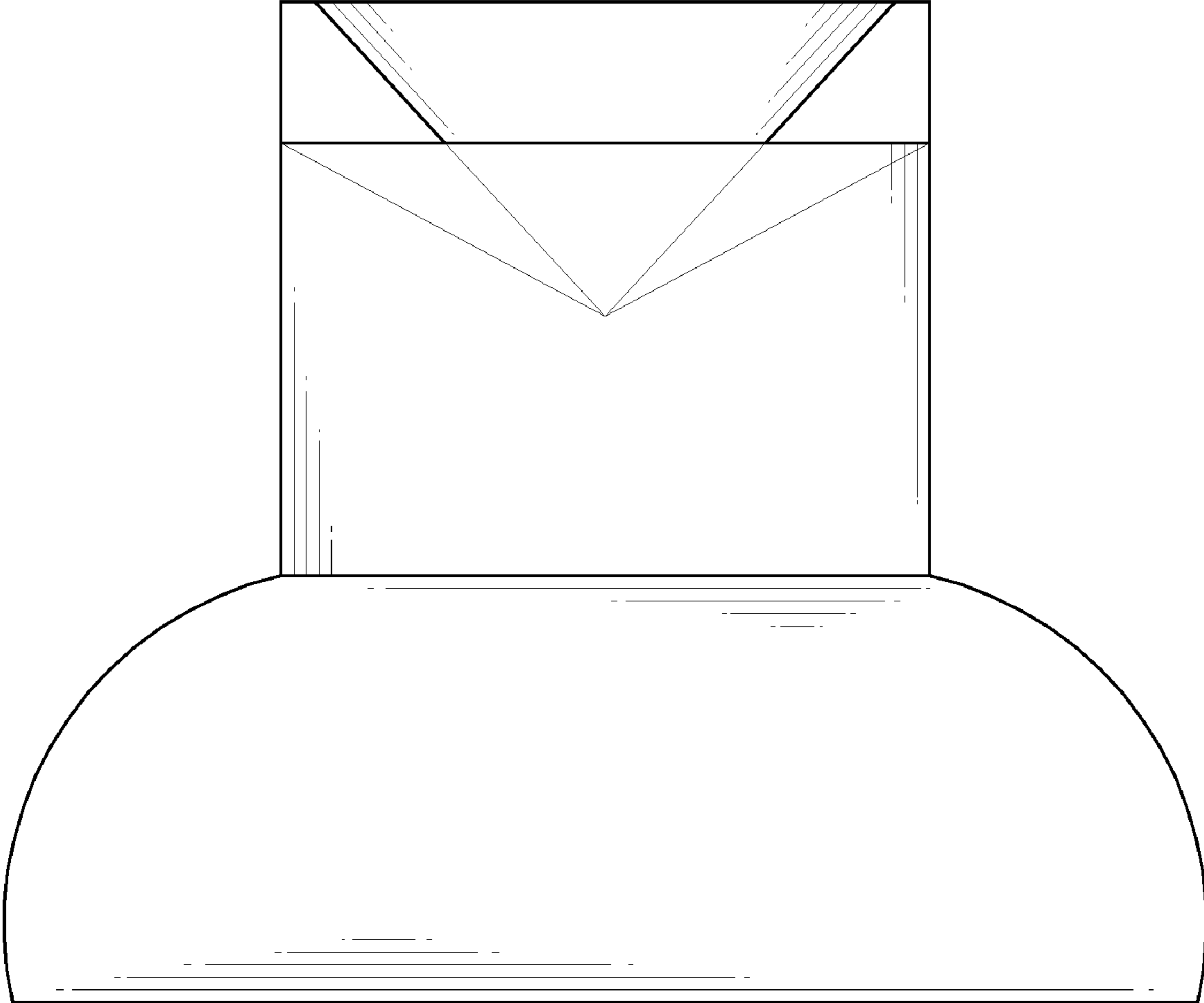


FIG. 2

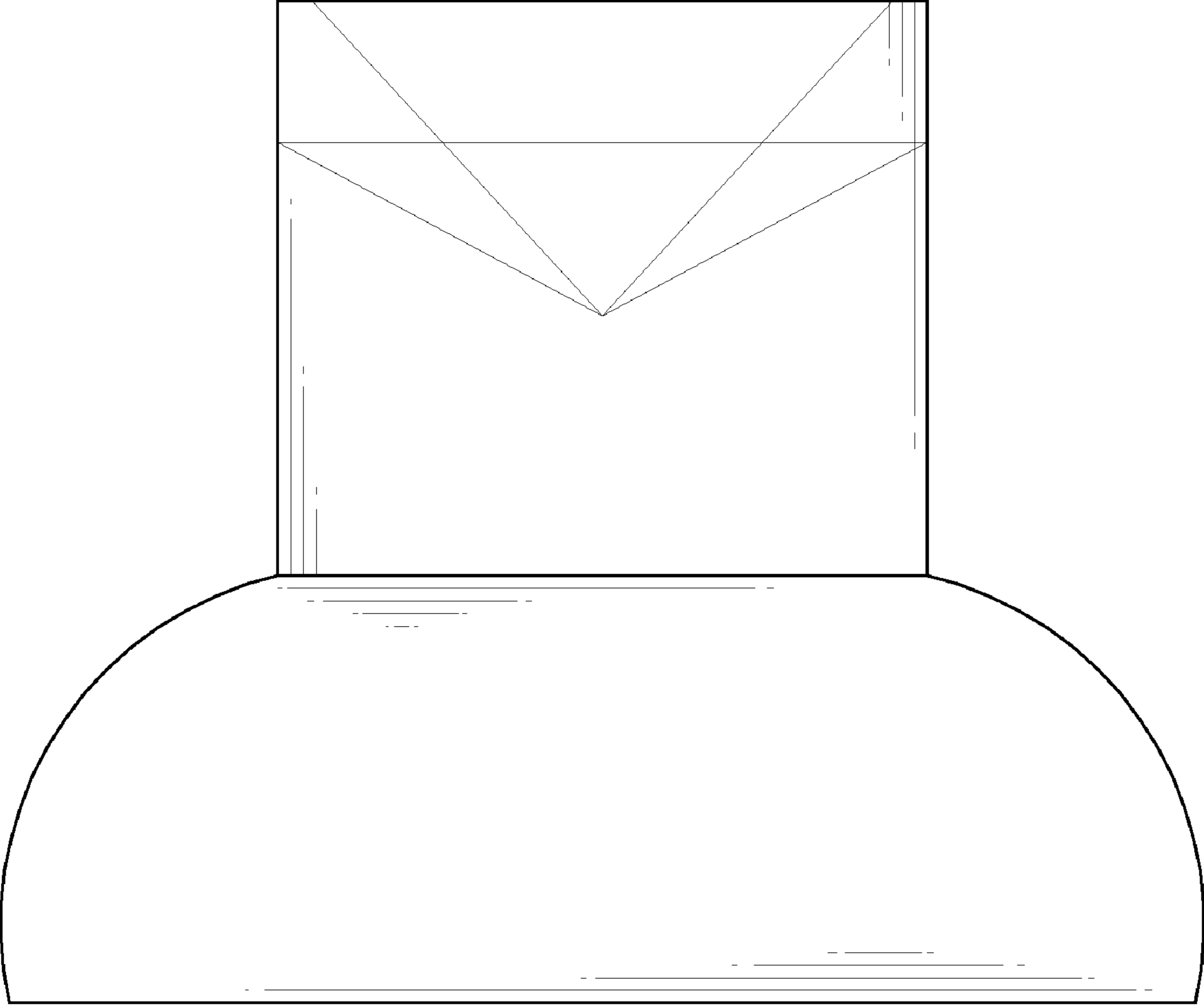


FIG. 3

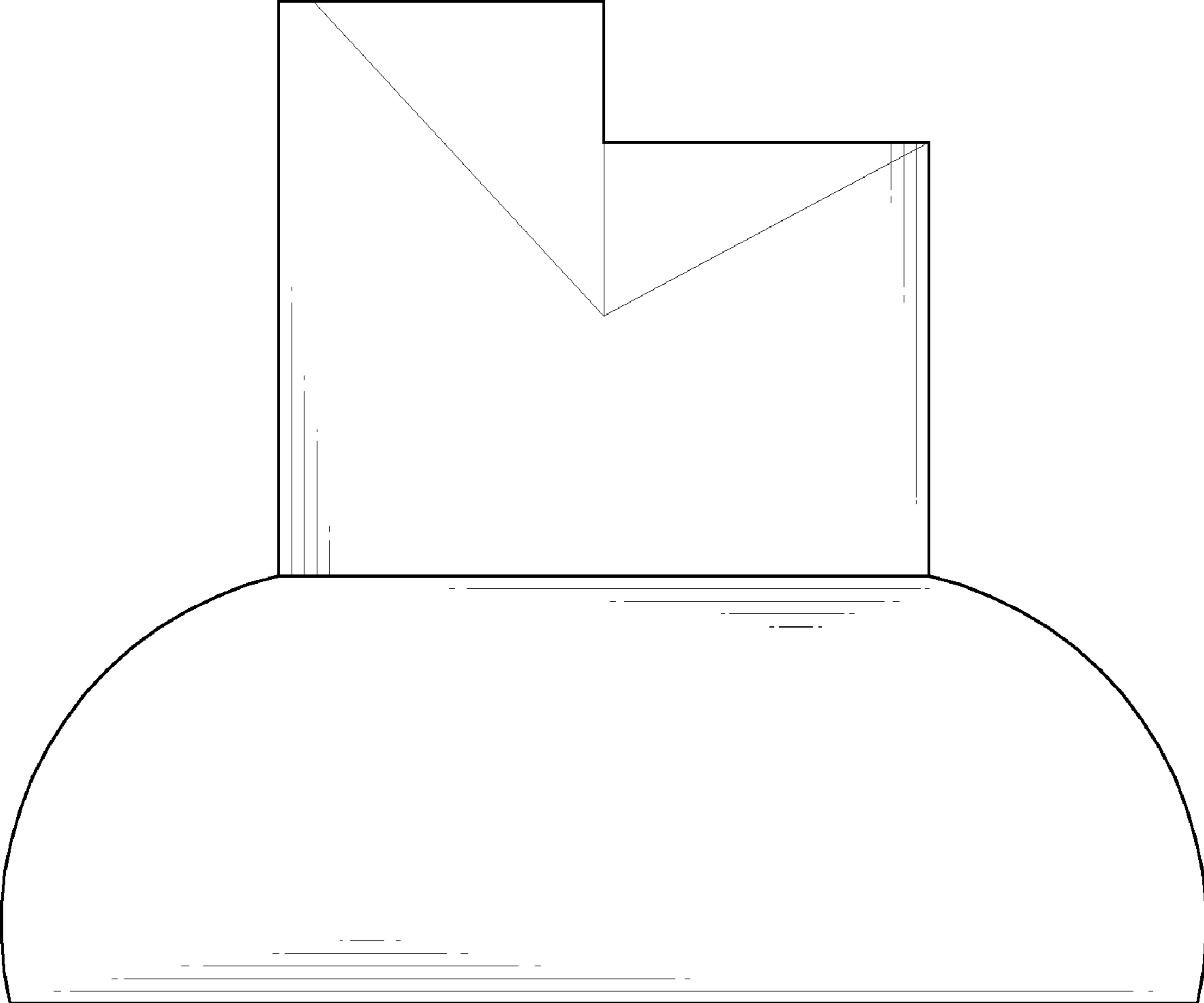


FIG. 4

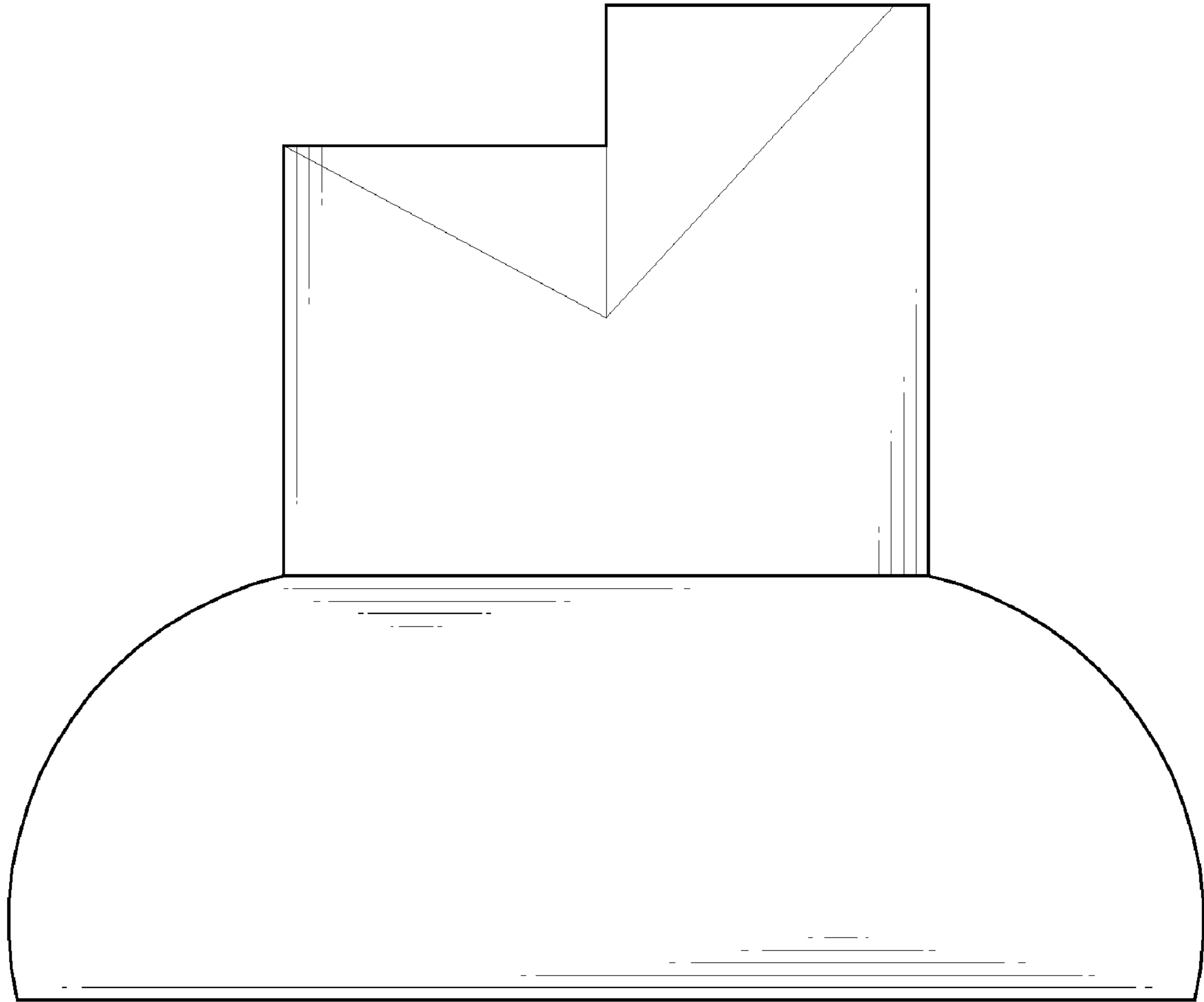


FIG. 5

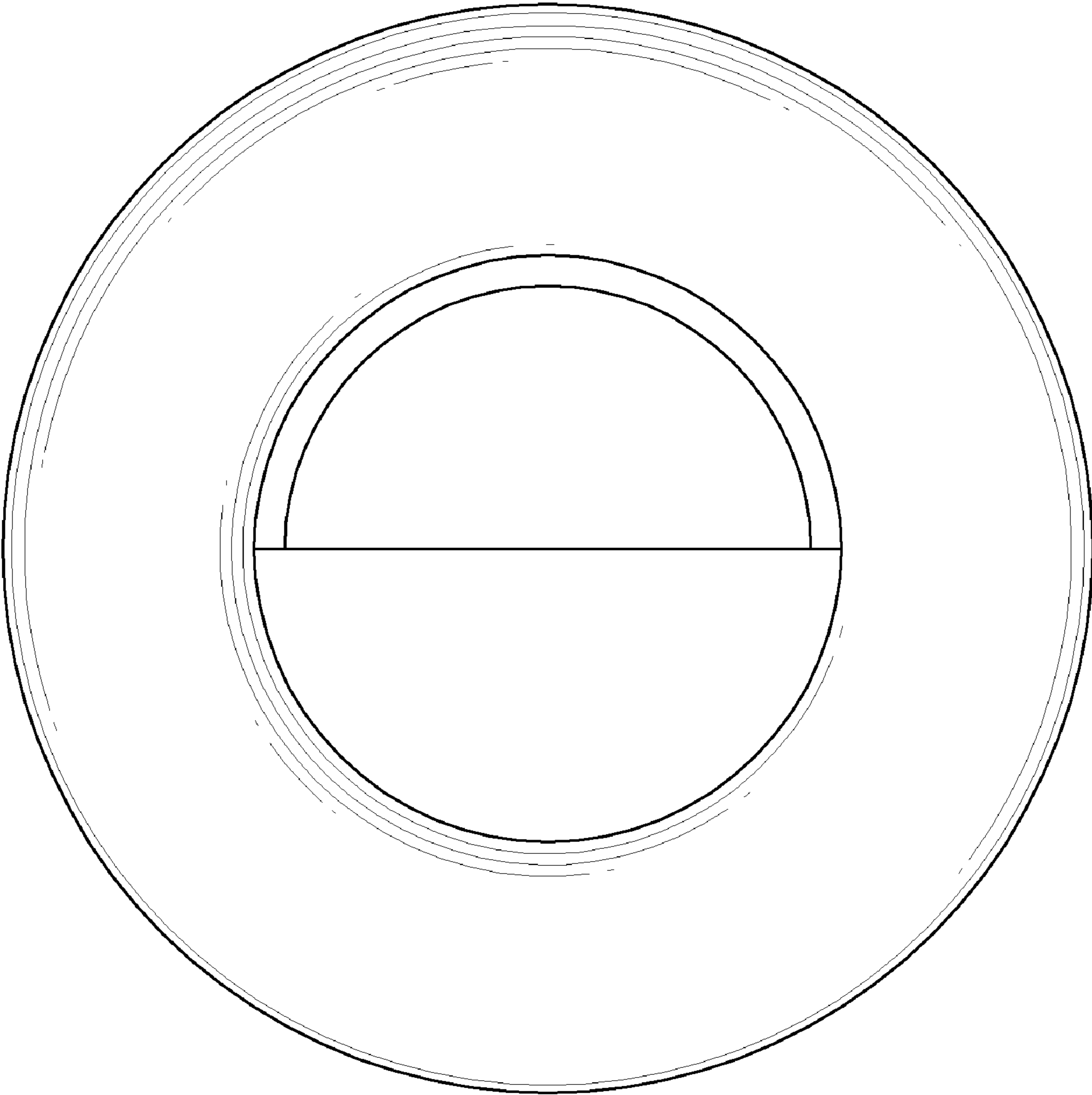


FIG. 6

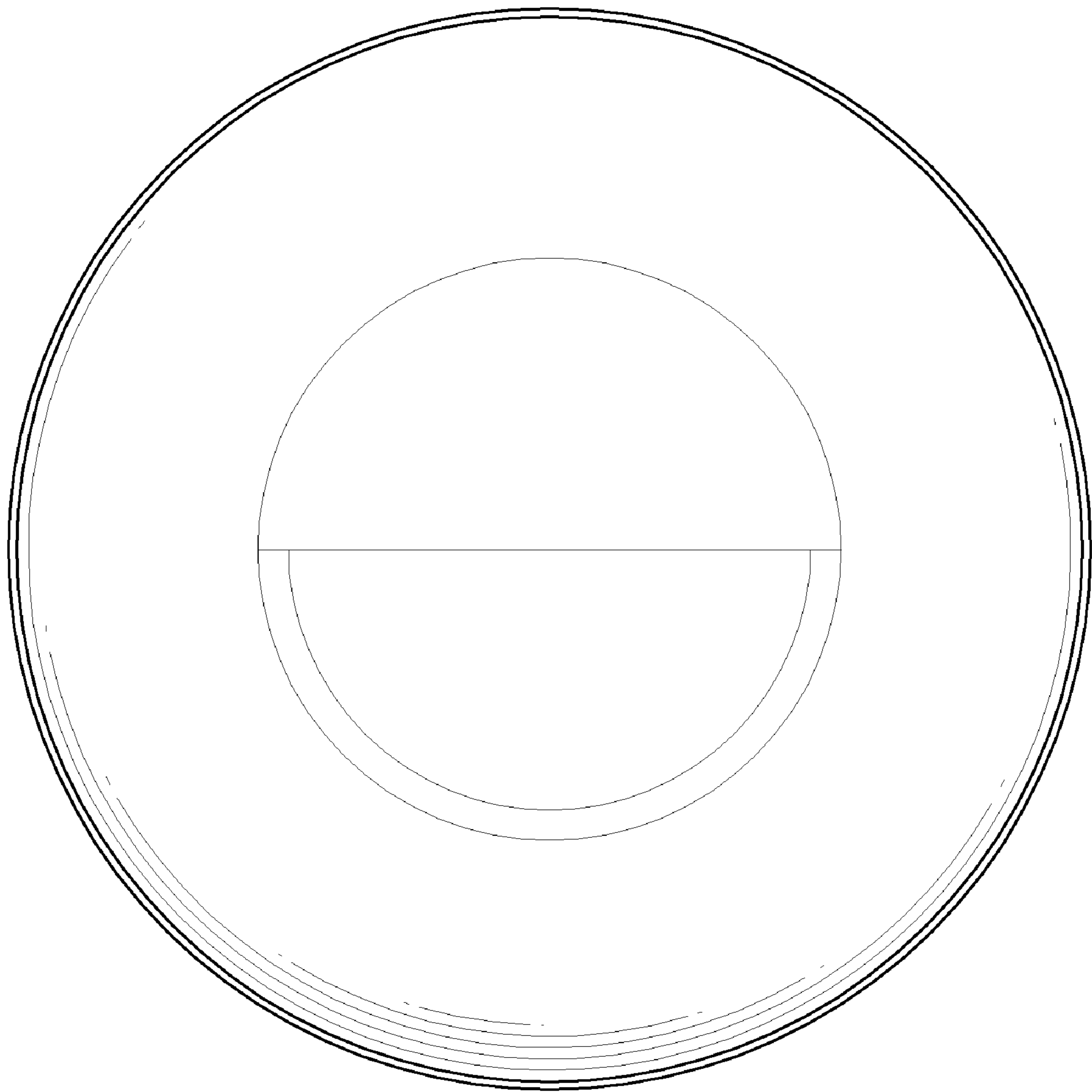


FIG. 7