



US00D619752S

(12) **United States Design Patent**
Zhang

(10) **Patent No.:** **US D619,752 S**
(45) **Date of Patent:** **** Jul. 13, 2010**

(54) **LENS FOR LED LIGHT SOURCE**
(75) Inventor: **Hai-Wei Zhang**, Shenzhen (CN)
(73) Assignee: **Foxconn Technology Co., Ltd.**,
Tu-Cheng, Taipei Hsien (TW)
(**) Term: **14 Years**
(21) Appl. No.: **29/340,360**

(22) Filed: **Jul. 17, 2009**

(30) **Foreign Application Priority Data**

Jul. 15, 2009 (CN) 2009 3 0309362

(51) **LOC (9) Cl.** **26-99**
(52) **U.S. Cl.** **D26/120**
(58) **Field of Classification Search** D26/113,
D26/63, 118, 93, 110, 138, 61, 24, 120, 40,
D26/73, 2, 25, 37, 60, 81, 119, 122, 123,
D26/128, 140, 141, 142; 362/33, 246.09,
362/648, 101; D13/110, 134, 180; 439/121,
439/239, 241

See application file for complete search history.

(56) **References Cited**

U.S. PATENT DOCUMENTS

5,893,633 A * 4/1999 Uchio et al. 362/244
6,367,949 B1 * 4/2002 Pederson 362/240
D460,202 S * 7/2002 Stekelenburg D26/26
D463,589 S * 9/2002 Troyer et al. D26/28
D492,047 S * 6/2004 Dohogne et al. D26/28
D514,008 S * 1/2006 Sassoon D10/113
7,055,996 B2 * 6/2006 Pond et al. 362/498
D524,260 S * 7/2006 Ishizaka et al. D13/180
7,207,694 B1 * 4/2007 Petrick 362/240

D566,059 S * 4/2008 Tanaka D13/180
D572,670 S * 7/2008 Ono et al. D13/180
D574,336 S * 8/2008 Okada et al. D13/180
2002/0067548 A1 * 6/2002 TerHovhannisian 359/627
2007/0236952 A1 * 10/2007 Chinniah et al. 362/538
2008/0001160 A1 * 1/2008 Andrews 257/79
2008/0080187 A1 * 4/2008 Purinton 362/294
2008/0203412 A1 * 8/2008 Shyu et al. 257/98
2008/0266869 A1 * 10/2008 Tai et al. 362/294

* cited by examiner

Primary Examiner—Cathron C Brooks

Assistant Examiner—Kevin K Rudzinski

(74) *Attorney, Agent, or Firm*—Frank R. Niranjana

(57) **CLAIM**

The ornamental design for a lens for LED light source, as shown and described.

DESCRIPTION

FIG. 1 is a perspective view of a lens for LED light source showing my new design.

FIG. 2 is a front elevational view thereof.

FIG. 3 is a rear elevational view thereof.

FIG. 4 is a left-side, elevational view thereof.

FIG. 5 is a right-side, elevational view thereof.

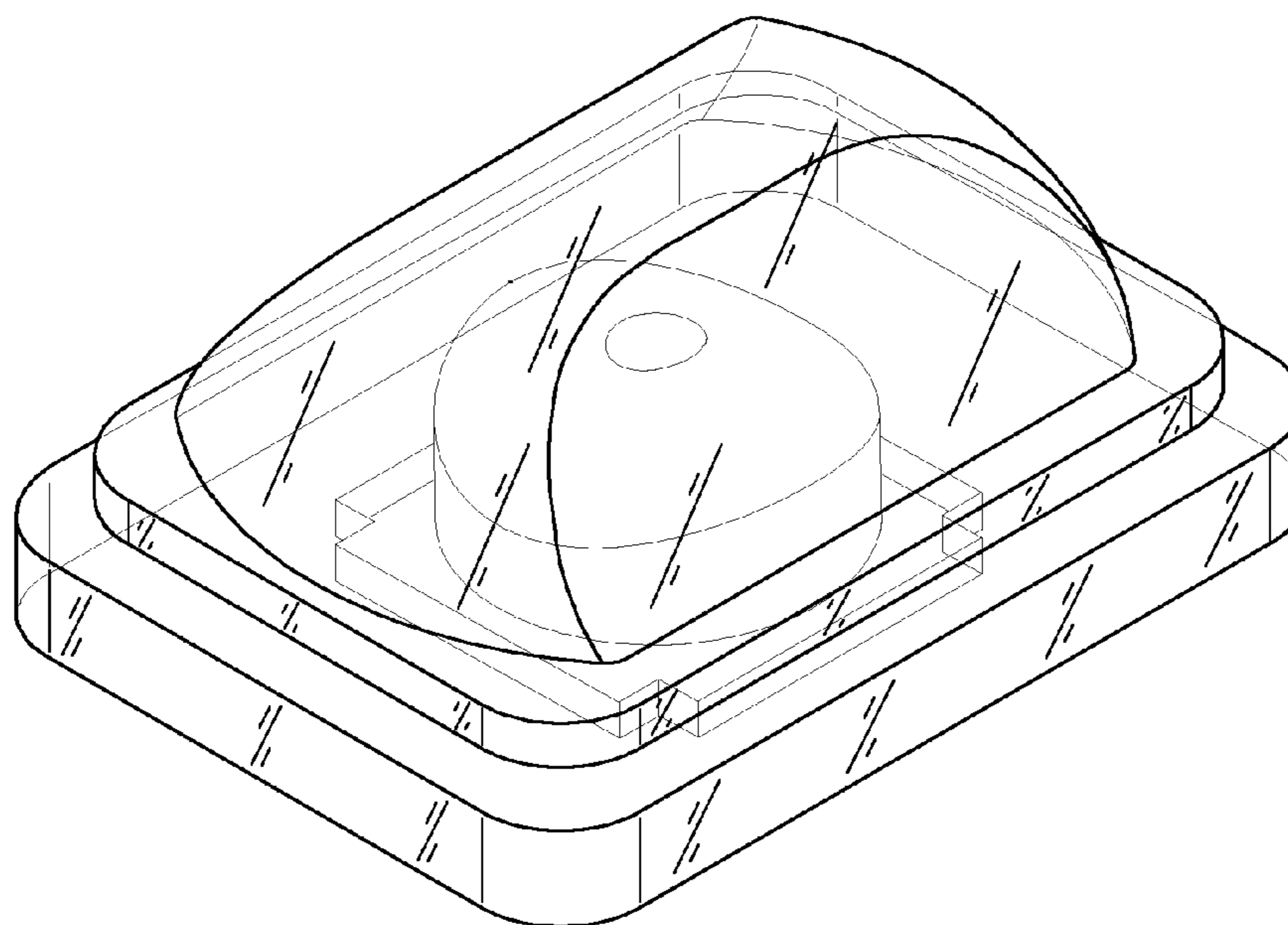
FIG. 6 is a top plan view thereof.

FIG. 7 is a bottom plan view thereof.

FIG. 8 is a cross-sectional view of the lens for LED light source of FIG. 6, taken along a line VIII—VIII thereof; and,

FIG. 9 is a cross-sectional view of the lens for LED light source of FIG. 6, taken along a line IX—IX thereof.

1 Claim, 9 Drawing Sheets



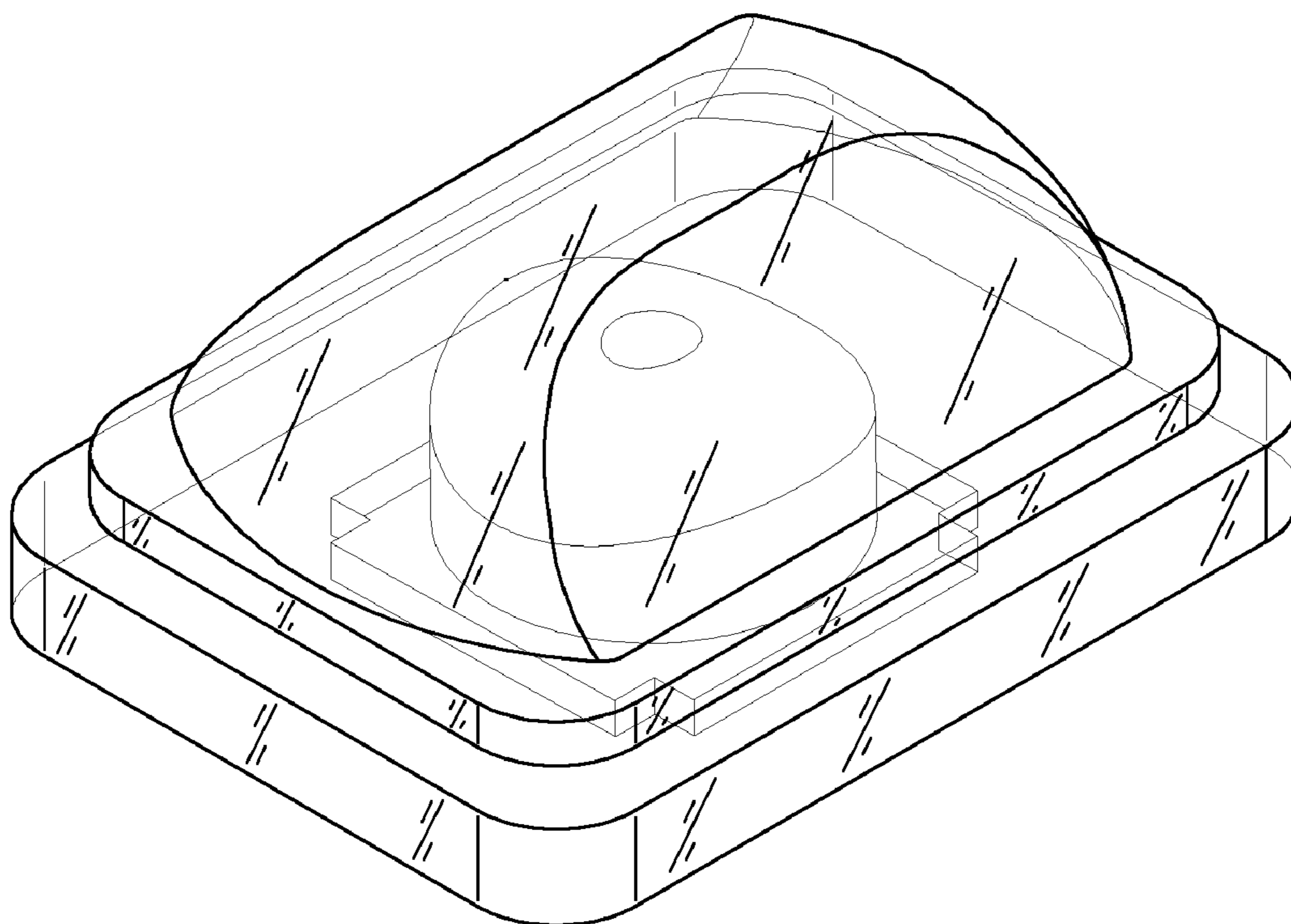


FIG. 1

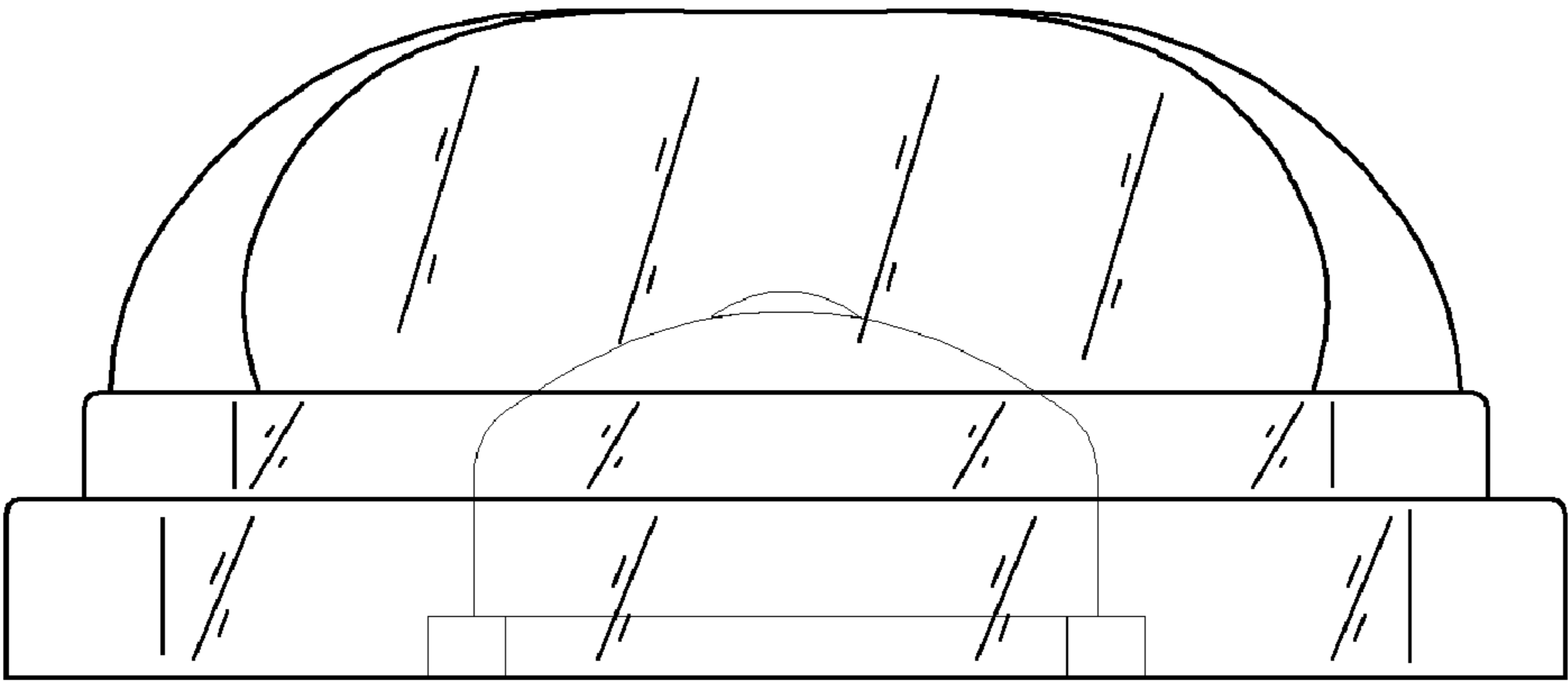


FIG. 2

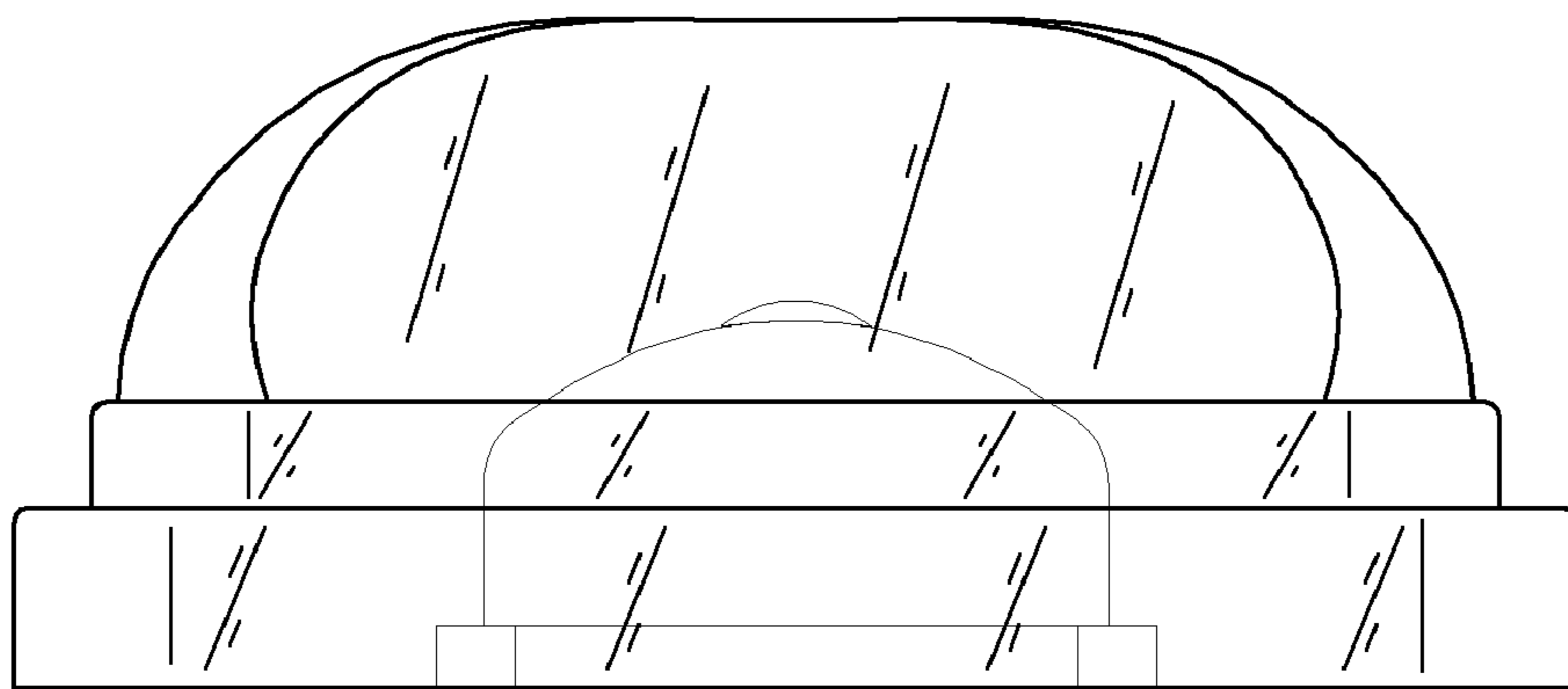


FIG. 3

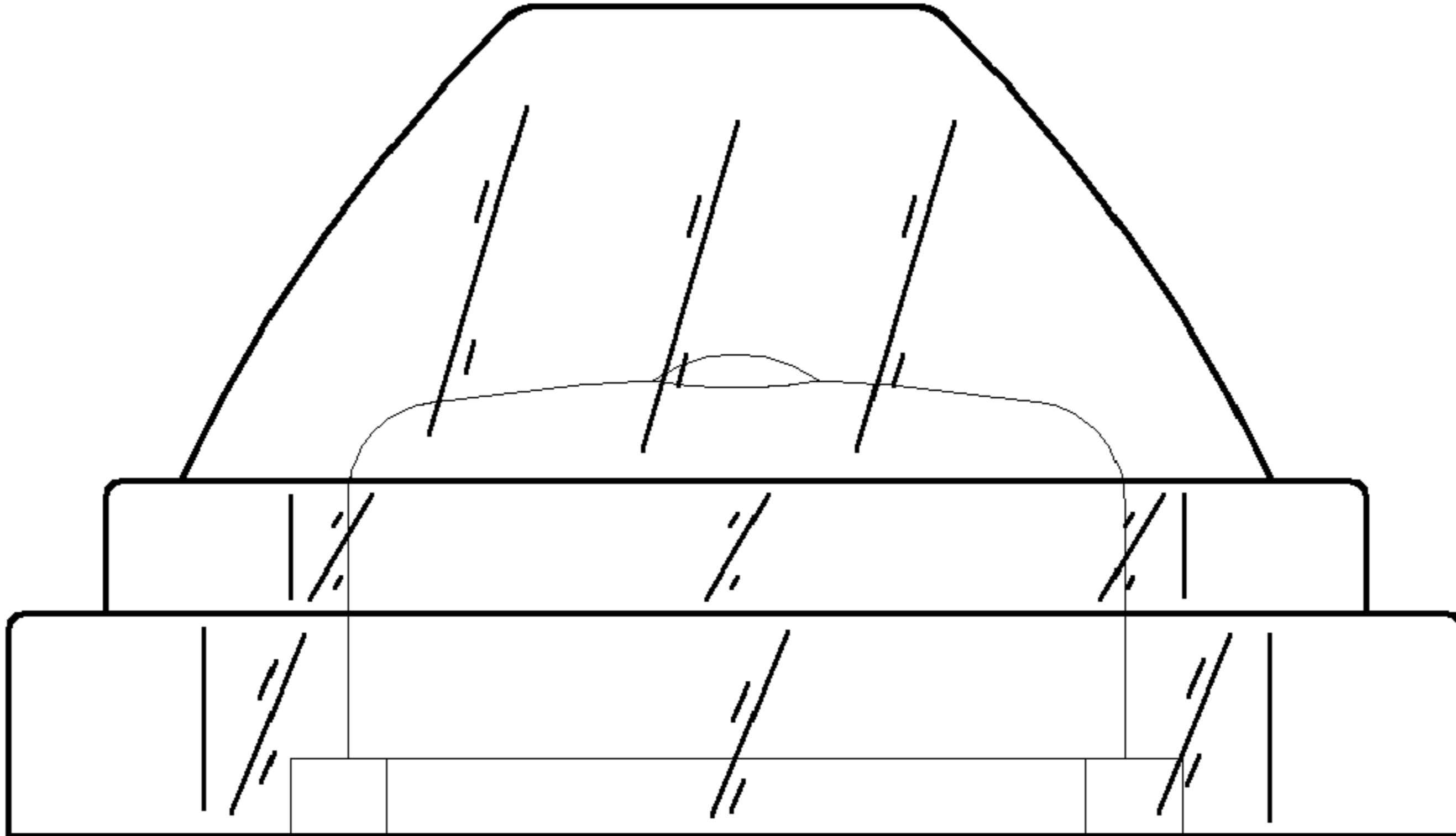


FIG. 4

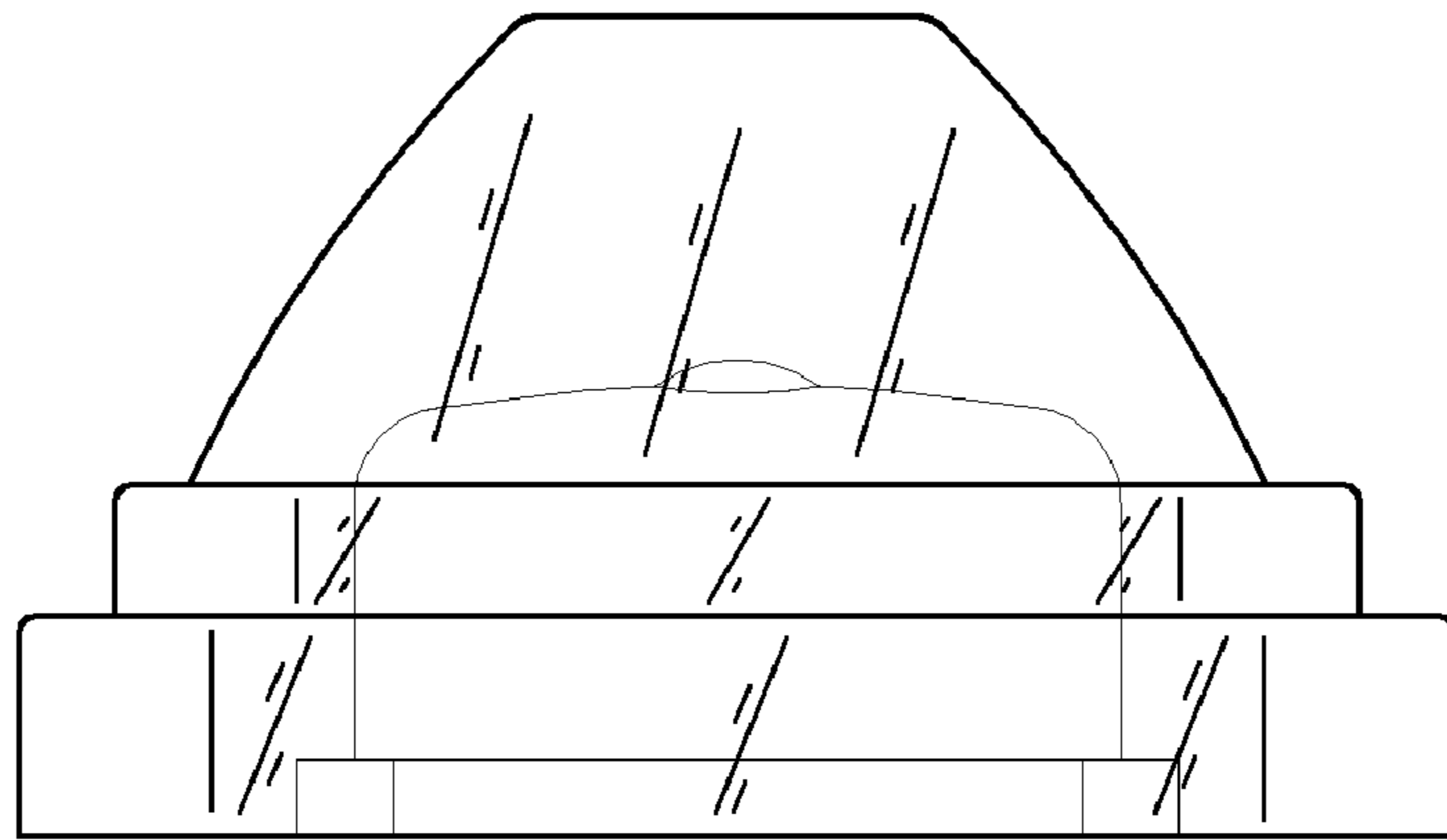


FIG. 5

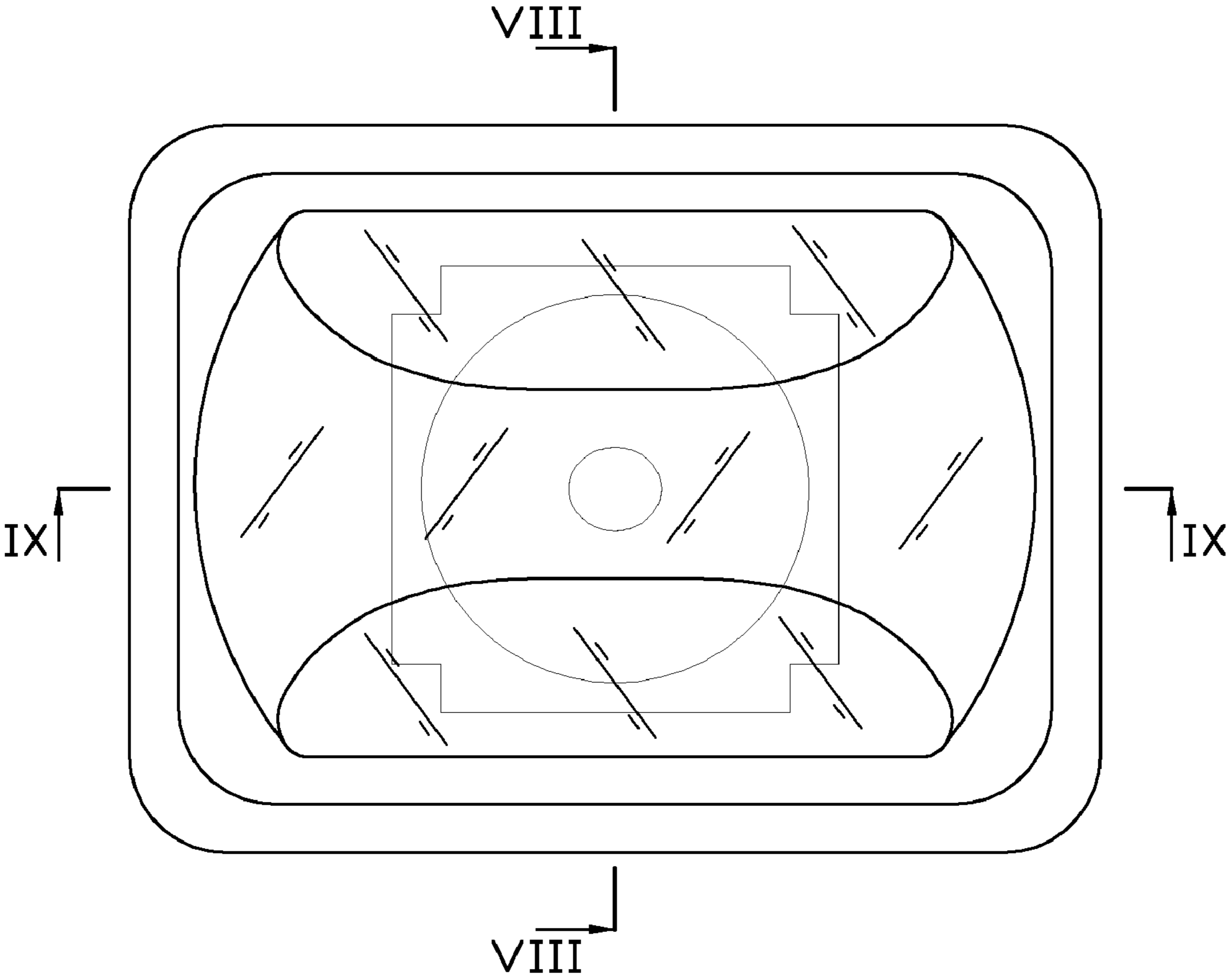


FIG. 6

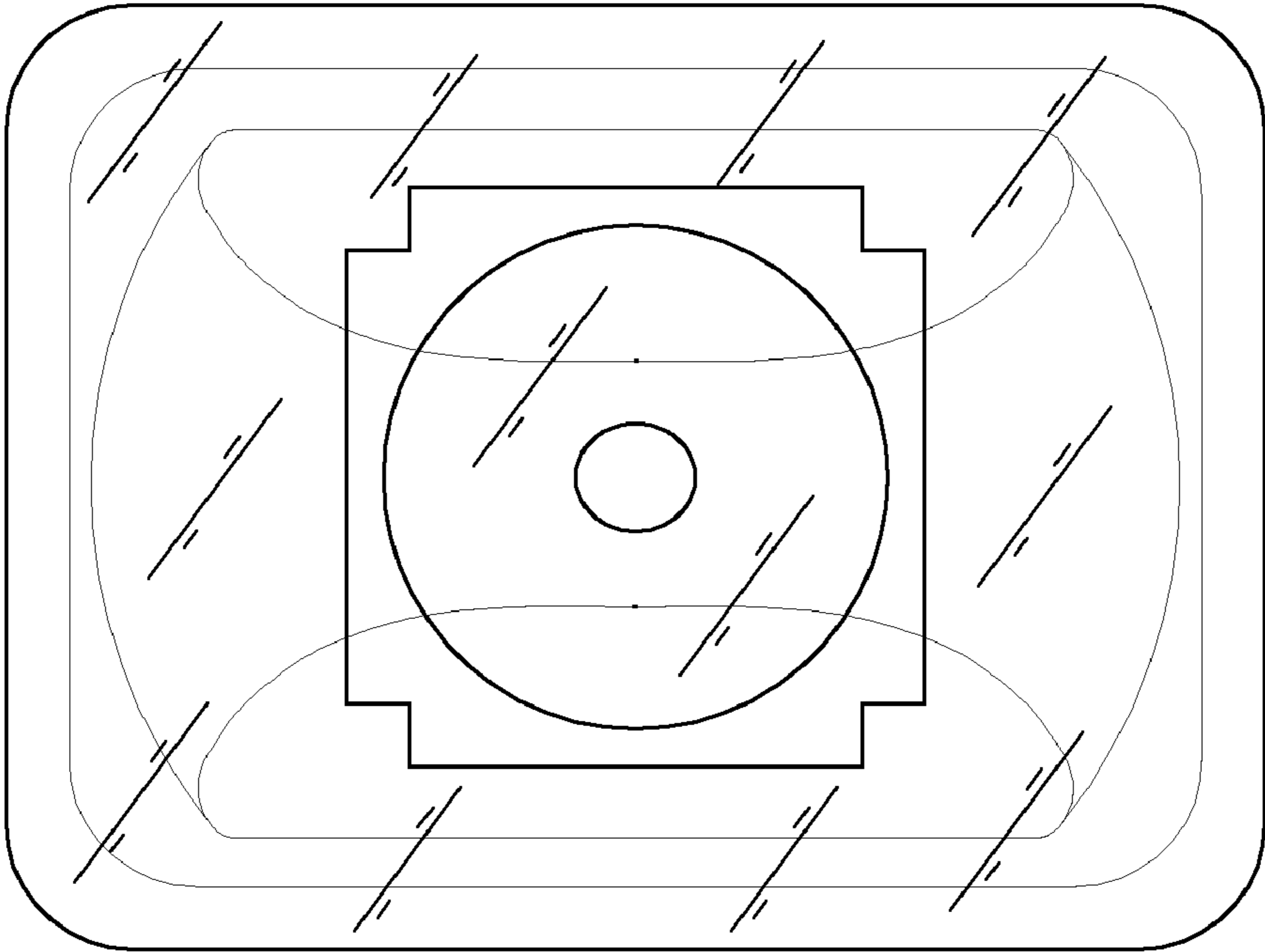


FIG. 7

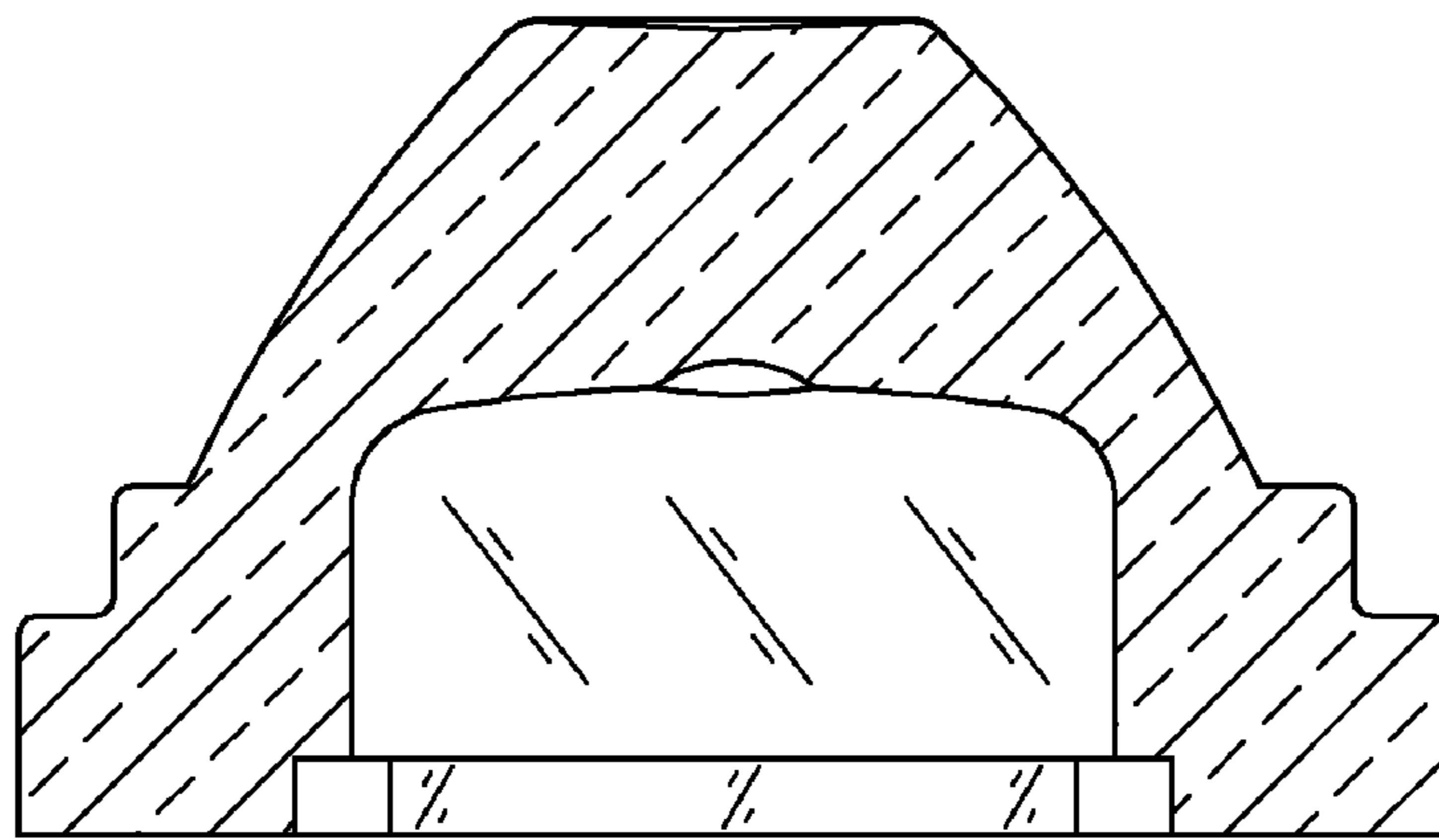


FIG. 8

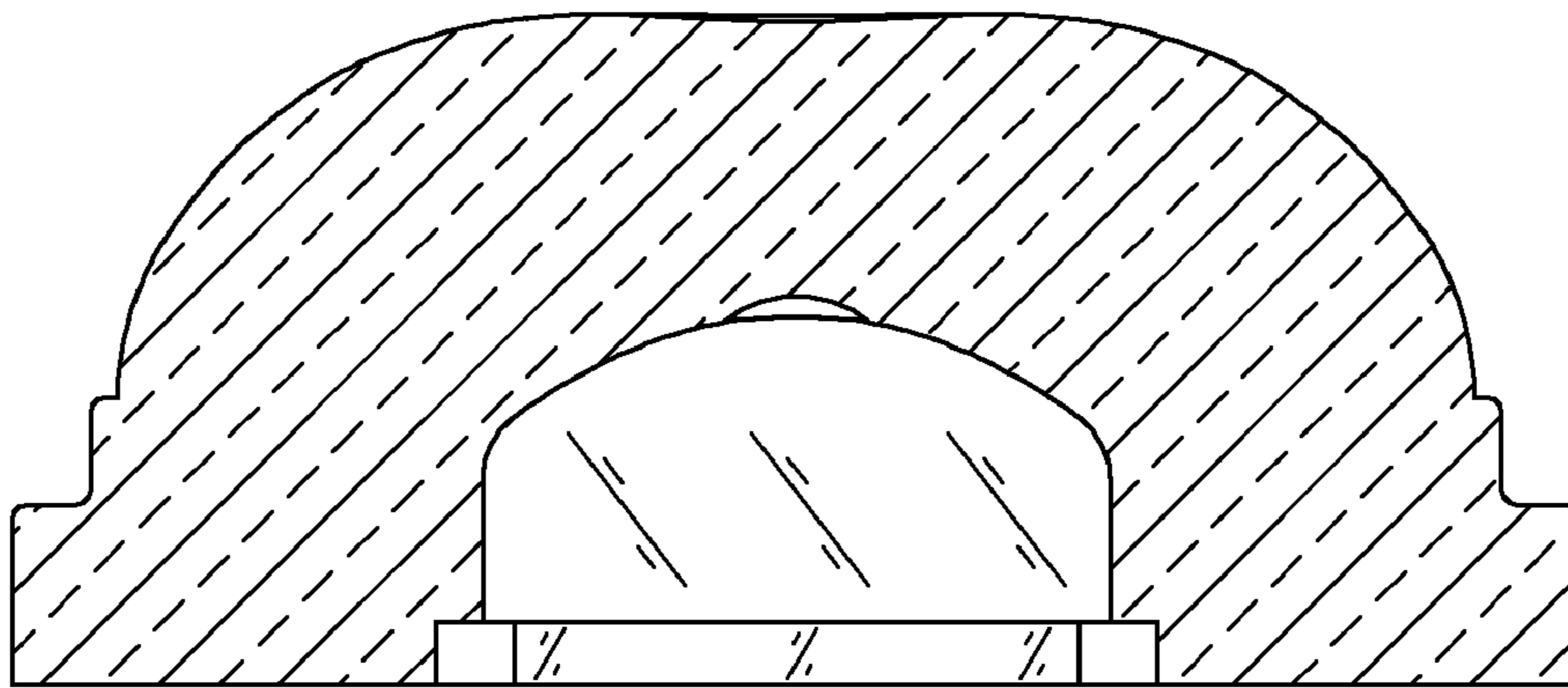


FIG. 9