



US00D619751S

(12) **United States Design Patent**  
**Zemel**

(10) **Patent No.:** **US D619,751 S**  
(45) **Date of Patent:** **\*\* Jul. 13, 2010**

(54) **LAMP**

(75) Inventor: **Marc Zemel**, Melville, NY (US)

(73) Assignee: **Mr. Bar-B-Q-, Inc**, Old Bethpage, NY (US)

(\*\*) Term: **14 Years**

(21) Appl. No.: **29/352,606**

(22) Filed: **Dec. 23, 2009**

(51) **LOC (9) Cl.** ..... **23-03**

(52) **U.S. Cl.** ..... **D26/93**

(58) **Field of Classification Search** ..... D26/1,  
D26/24, 67-6, 93-94, 101, 104-110, 113,  
D26/118; 362/3, 153, 186, 217, 255, 257,  
362/277, 317, 351, 353, 362, 363, 382, 431,  
362/433, 458, 806

See application file for complete search history.

(56) **References Cited**

**U.S. PATENT DOCUMENTS**

3,370,163 A	2/1968	Brill	
D258,918 S *	4/1981	Miller, Jr.	D26/93
D269,464 S *	6/1983	Caroli	D26/28
5,023,761 A	6/1991	de Lange	
D322,136 S *	12/1991	Shima et al.	D26/28
D327,953 S *	7/1992	Jordan	D26/28

5,964,517 A	10/1999	Adams	
D420,458 S *	2/2000	Guercio	D26/63
6,467,929 B2	10/2002	Lee	
6,675,483 B2	1/2004	Bond	
7,008,077 B2	3/2006	Raichlen	
2008/0117622 A1	5/2008	Lin	

\* cited by examiner

*Primary Examiner*—Brian N Vinson

(74) *Attorney, Agent, or Firm*—Seth Natter; Natter & Natter

(57) **CLAIM**

The ornamental design for a lamp, as shown and described.

**DESCRIPTION**

FIG. 1 is an isometric view of a lamp showing my new design;

FIG. 2 is a front elevational view thereof;

FIG. 3 is a rear elevational view thereof;

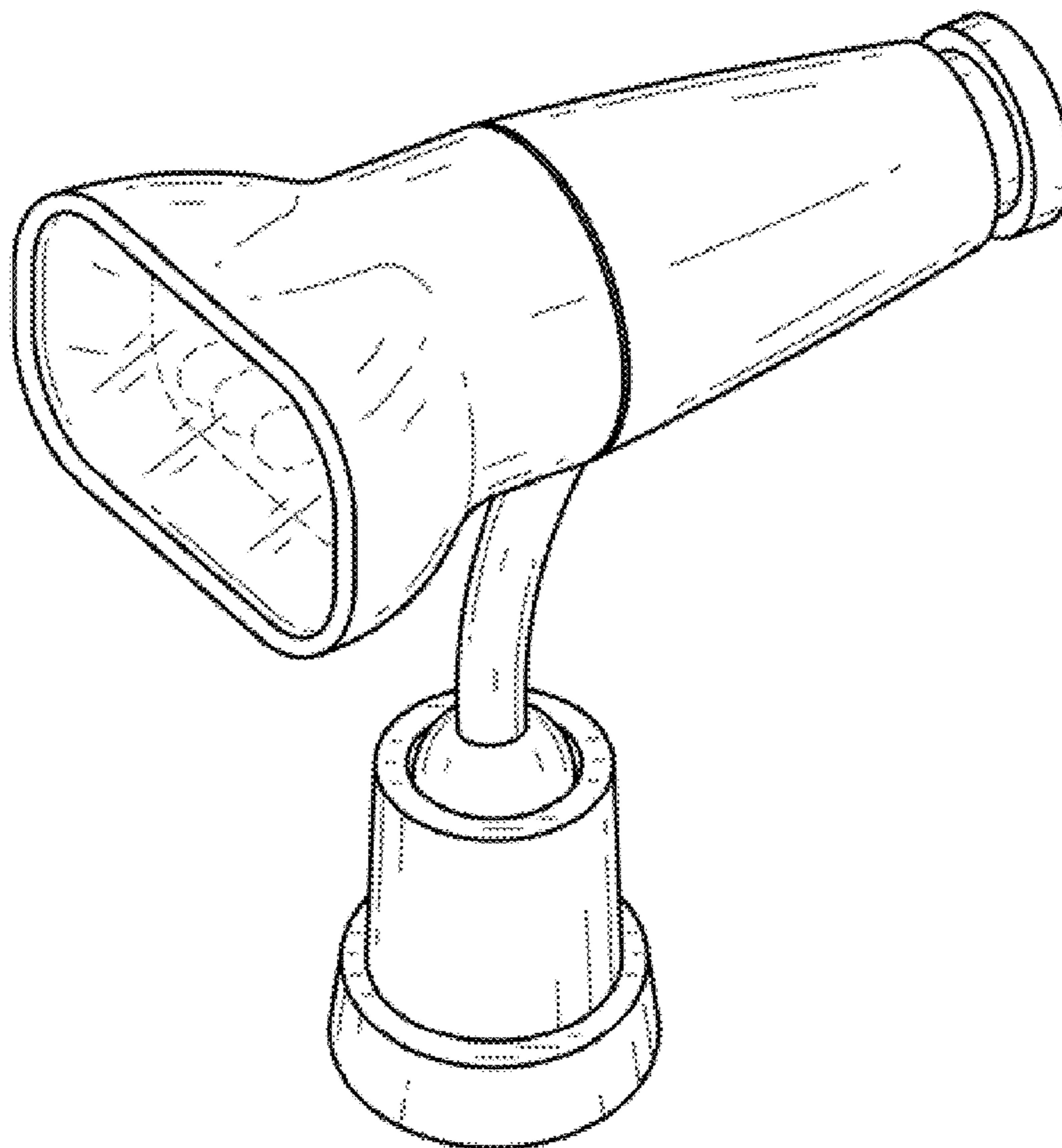
FIG. 4 is a side elevational view thereof, the opposite side being a mirror image thereof;

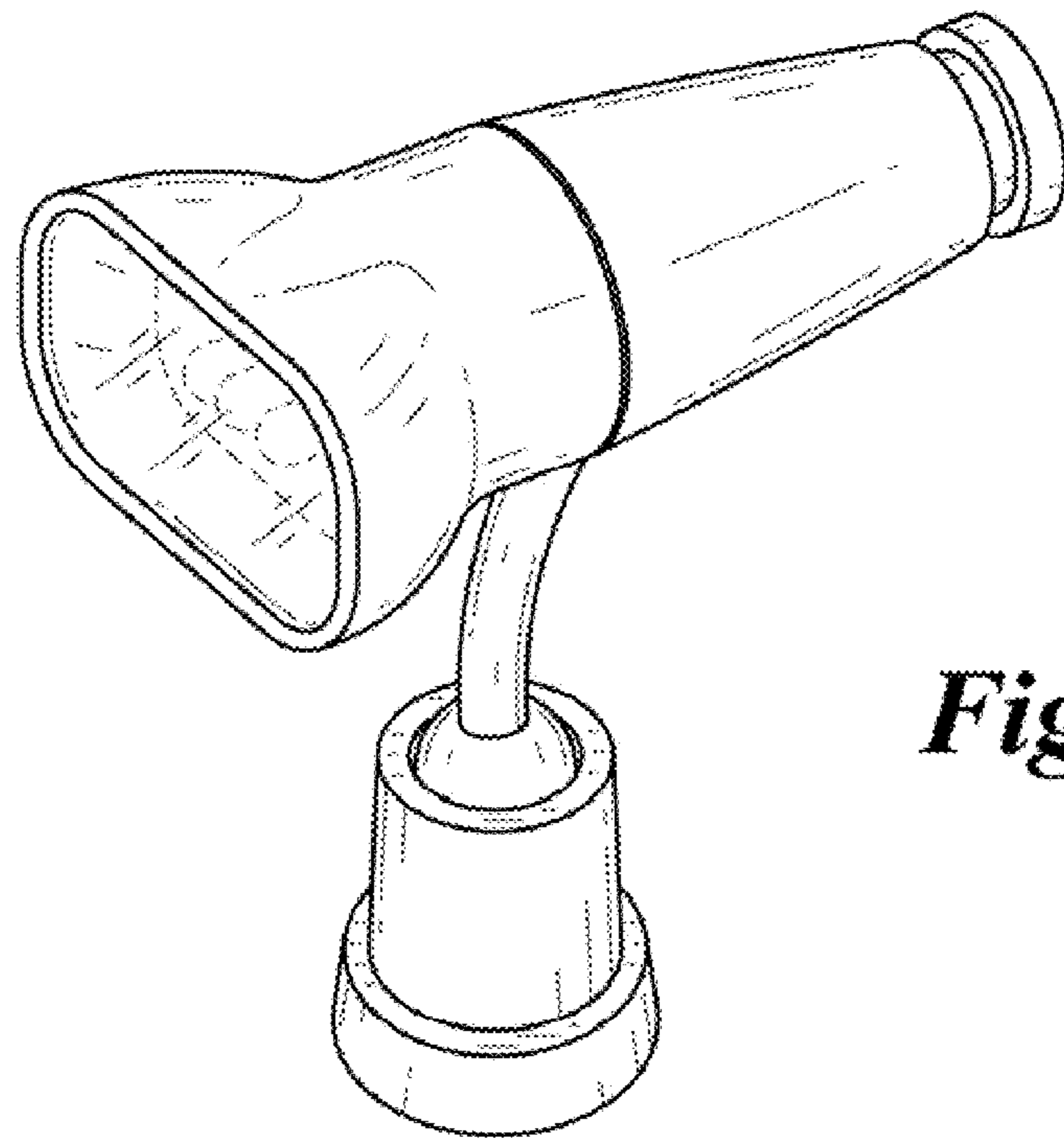
FIG. 5 is a top plan view thereof; and,

FIG. 6 is a bottom view thereof.

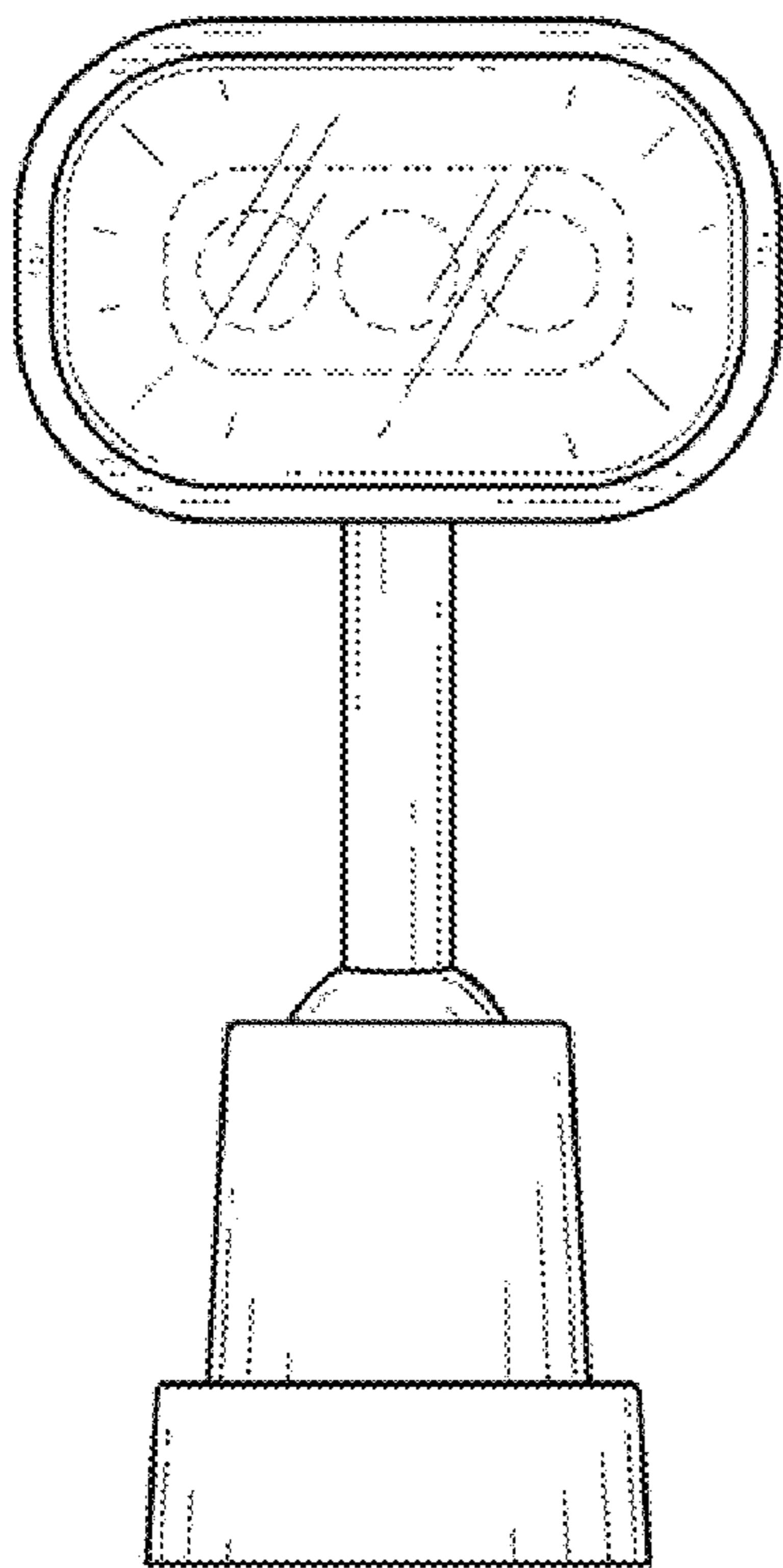
The broken-line disclosure in the views is understood to represent portions of the article in which the claimed design is embodied, but which forms no part of the claimed design.

**1 Claim, 2 Drawing Sheets**

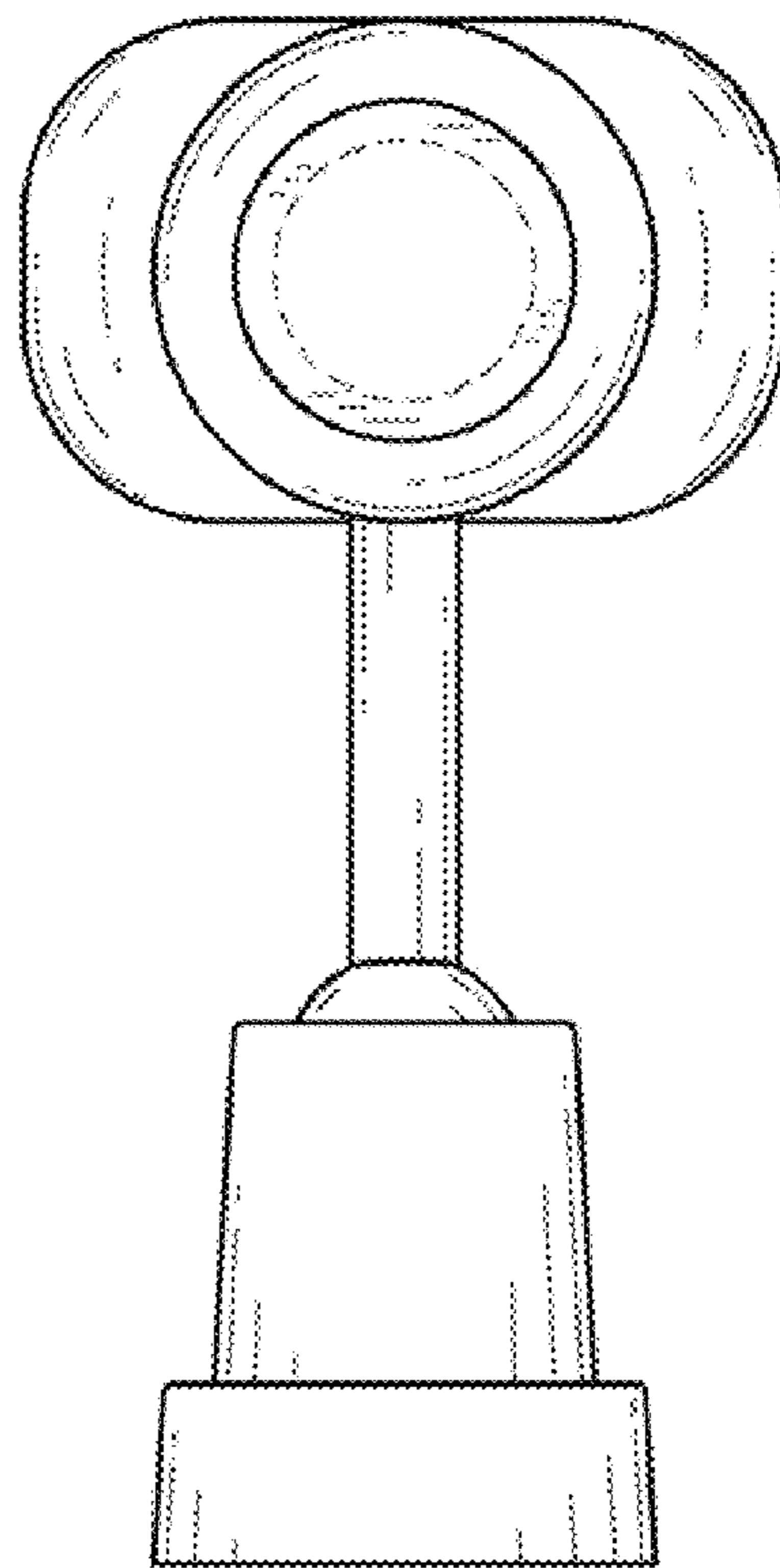




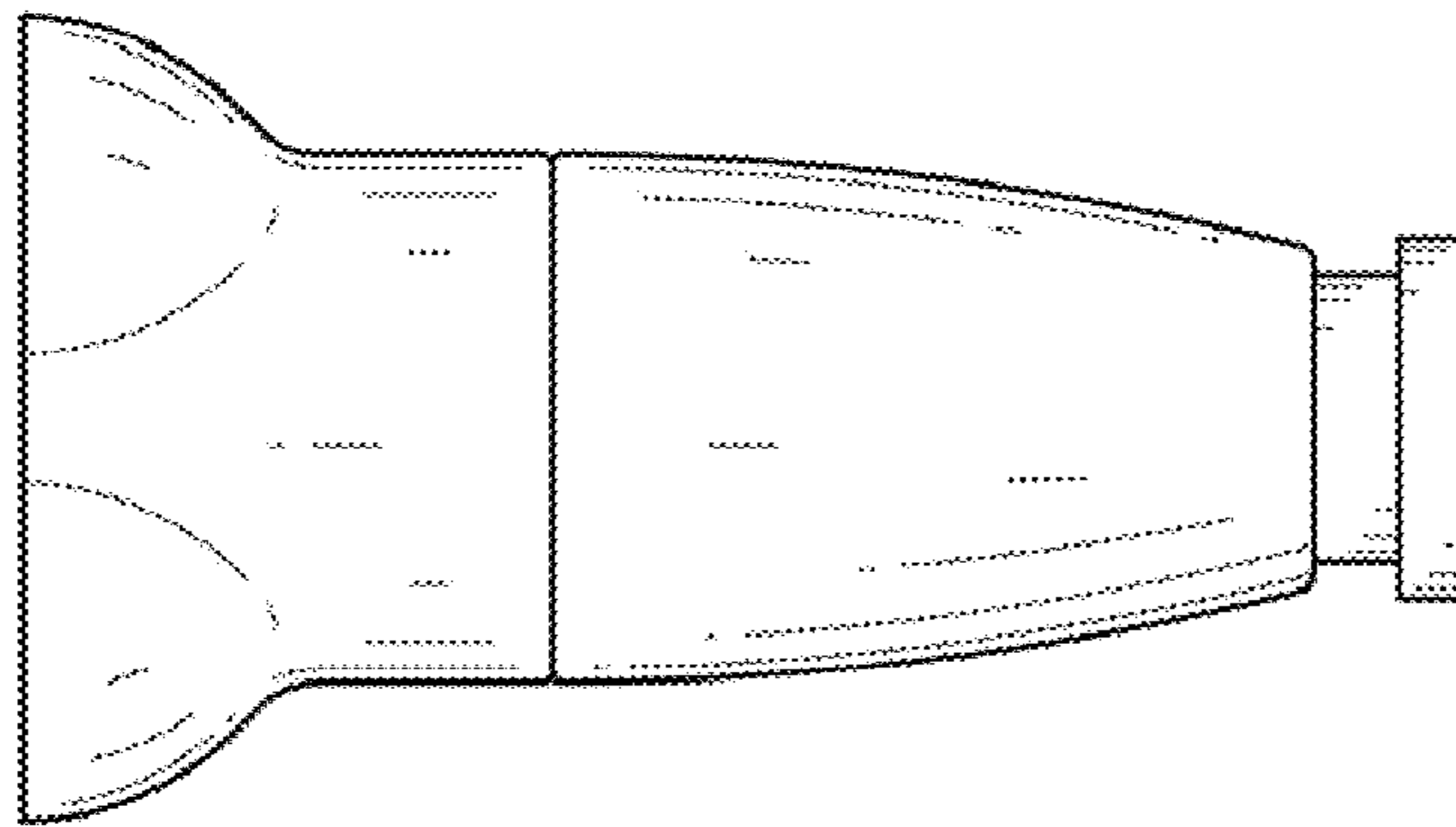
*Fig. 1*



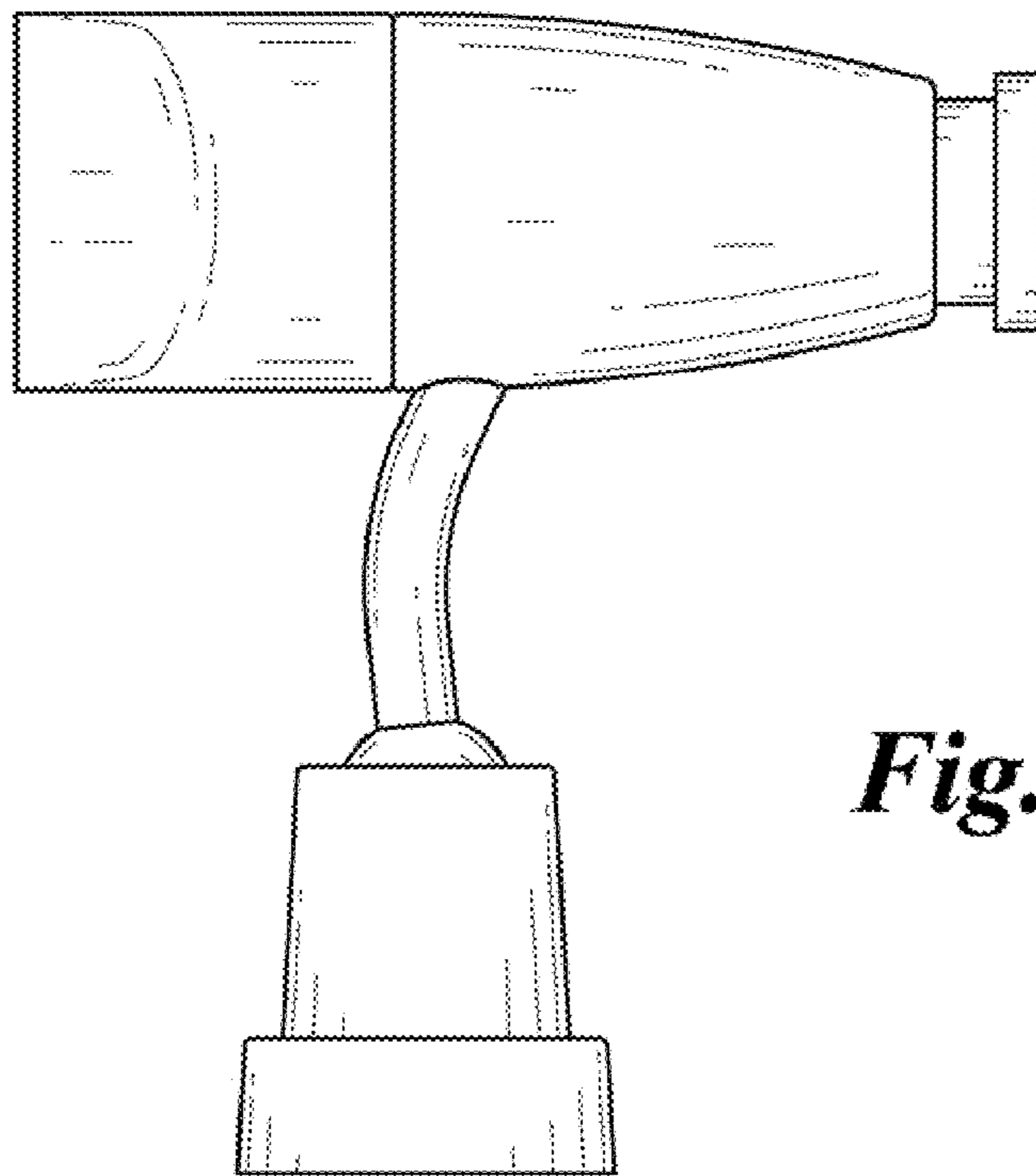
*Fig. 2*



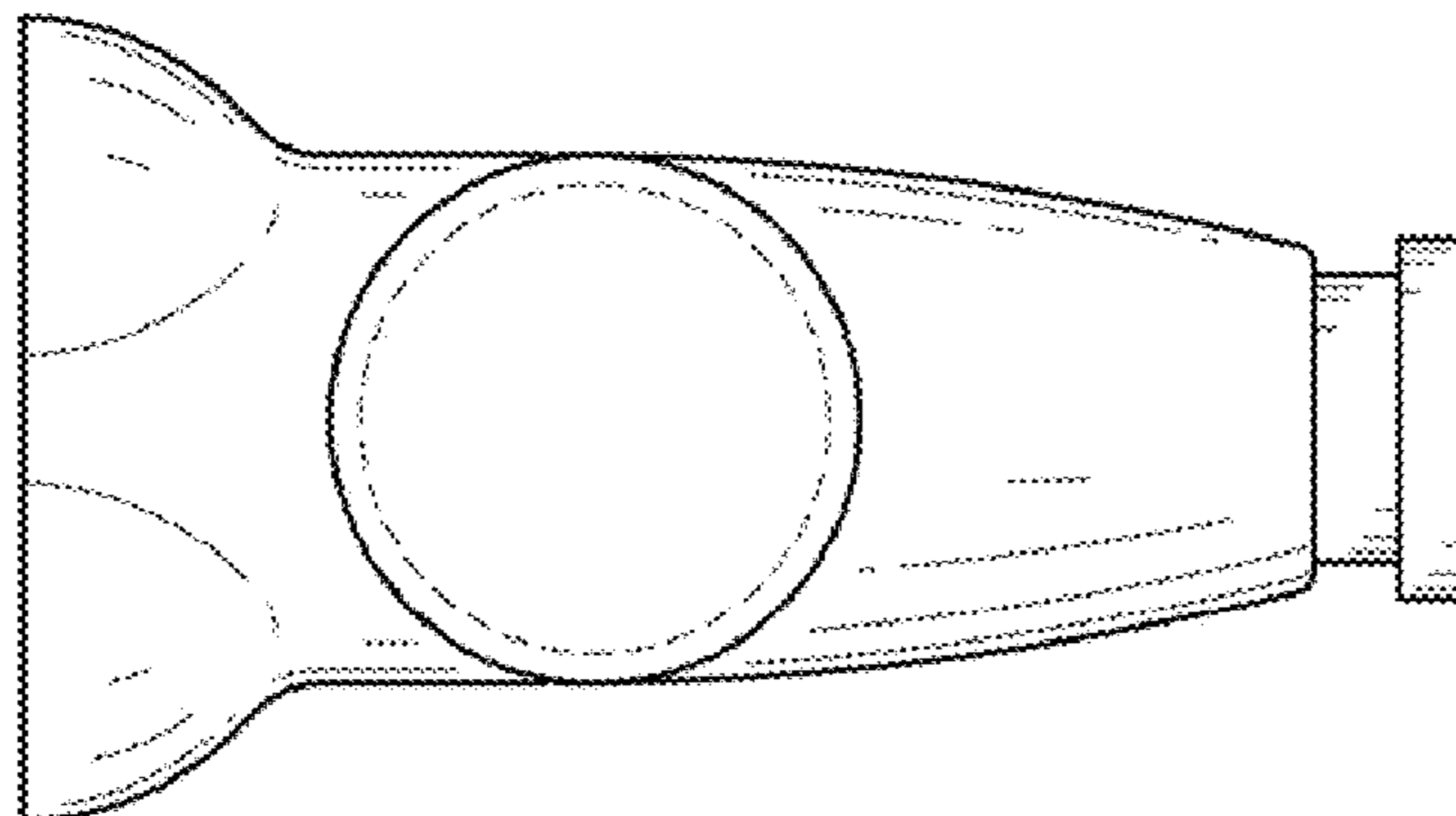
*Fig. 3*



*Fig. 5*



*Fig. 4*



*Fig. 6*